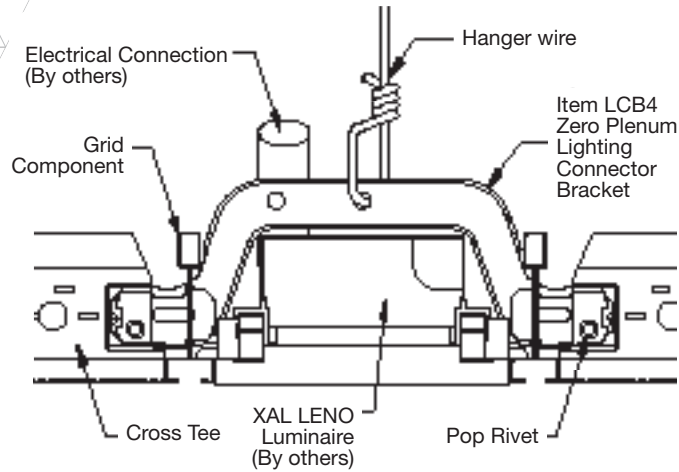


Acoustical On-Center Linear Lighting with XAL LENO LED Luminaire

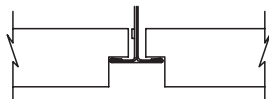
Technical Guide

INSTALLATION OVERVIEW

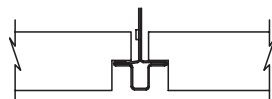


The following installation instructions and drawings provide general guidance for the construction of a ceiling for continuous or discontinuous runs of 4" wide zero plenum linear lighting from XAL.

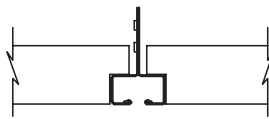
- 9/16" face Silhouette® 1/4", Silhouette 1/8", Suprafine®, and Interlude® XL® HRC suspension systems
- Standard and FastSize™ Optima®, Ultima®, and Calla™ ceiling panels with a Tegular edge detail.
- Approved for use in Seismic D, E, and F zones without the need for additional support mechanisms. For information about a seismic white paper, contact TechLine at 1 877 ARMSTRONG.



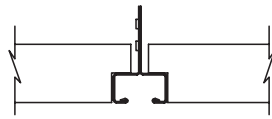
Suprafine® XL
9/16" Square Tegular



Interlude® XL® HRC
9/16" Square Tegular

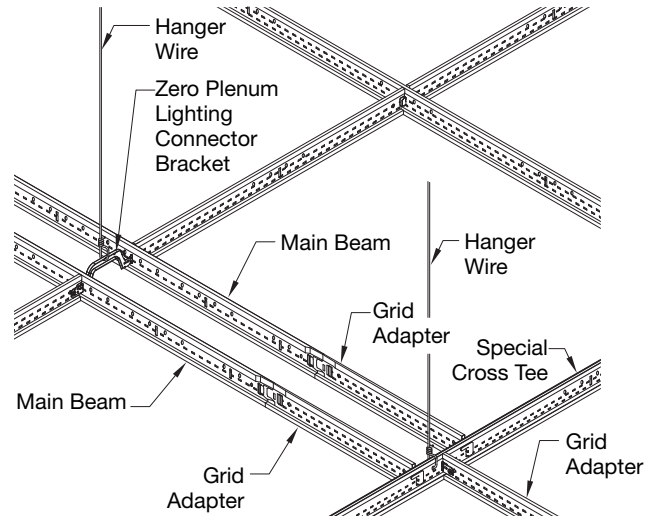


Silhouette® XL 1/8" Reveal
9/16" Square Tegular

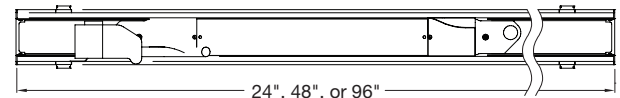
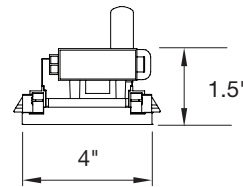


Silhouette® XL 1/4" Reveal
9/16" Square Tegular

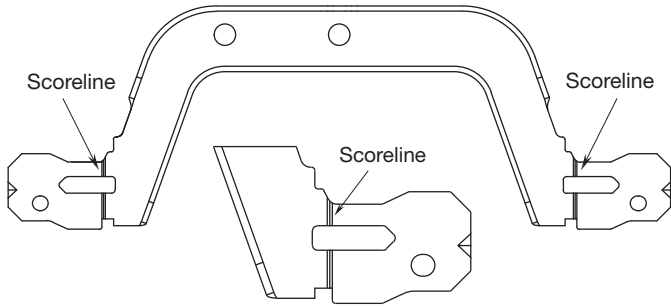
CEILING SUSPENSION SYSTEM OPENING FOR XAL LENO LIGHTING



XAL LENO LUMINAIRE



ZERO PLENUM LIGHTING CONNECTOR BRACKET FOR USE WITH XAL LENO LIGHT FIXTURE – ITEM LCB4

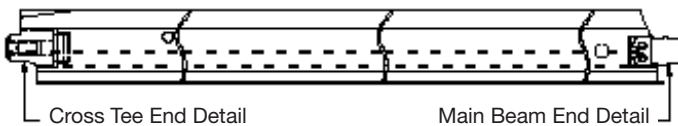


- Install an LCB4 bracket at every XAL LENO light location. It's installed 4' from each end and 4' on center thereafter. Hanger wires are required every 4' on center.
- Suspend the LCB4 from a single hanger wire to provide adequate support for the adjacent suspension system components.
- Maintain the 4" suspension system opening, ensuring a secure and proper fit of the XAL LENO fixture.
- Install the LCB4 bracket like a small cross tee, through route holes in parallel suspension system components.
- Use a pop rivet to attach the LCB4 bracket to an adjacent cross tee.
- The LCB4 bracket can be installed without attaching to a cross tee. The end detail on the LCB4 needs to be bent over and screwed to the suspension system.
- Scorelines on the LCB4 are used to install the on-center linear lighting solutions in single tee applications. When the LCB4 cannot be connected to an XL cross tee the two tabs on the LCB4 need to be bent over and secured to the grid via a drilled pilot hole and pop rivet

GRID ADAPTER

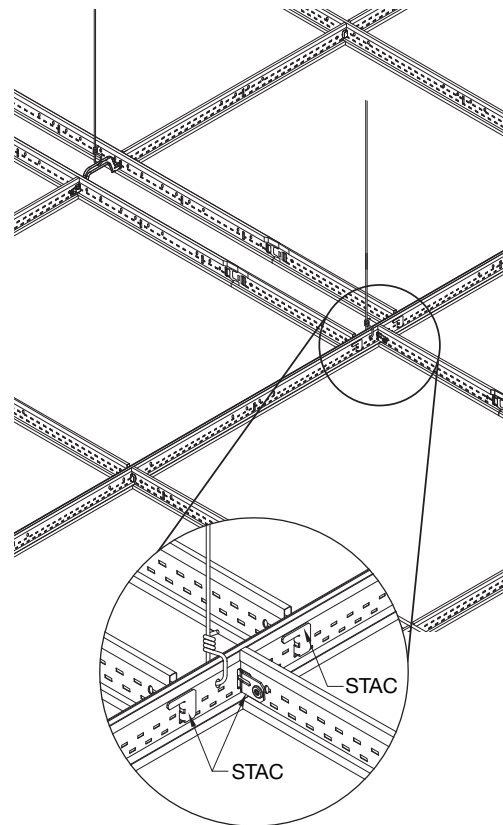
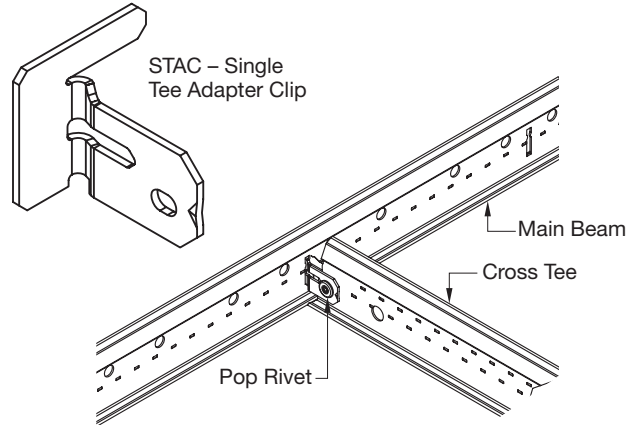
- Short suspension system component creates a fast and easy way to turn the direction of a main beam.
- One end has a main beam connection and the other end has a cross tee connection.
- Install like a standard cross tee and main beam.

Main Beam Cross Tee Adapter



THE SINGLE TEE ADAPTER CLIP (STAC CLIP)

- The STAC clip creates code compliant, off-module cross tee connections for Armstrong® suspension systems where a cross tee intersects a main beam and is not locked into place with another cross tee.
- Install the STAC clip by inserting a cross tee into the main beam and then pushing the STAC clip into the route hole on the right side of the cross tee XL® end detail.
- Attach the STAC clip to the cross tee with a pop rivet.



MORE INFORMATION

For more information, or for an Armstrong Ceilings representative, call 1 877 ARMSTRONG. For complete technical information, detail drawings, CAD design assistance, installation information, and many other technical services, call TechLine customer support at 1 877 ARMSTRONG or FAX 1 800 572 TECH. For the latest product selection and specification data, visit armstrongceilings.com/linearlighting.

All other trademarks used herein are the property of AWI Licensing Company and/or its affiliates © 2016 AWI Licensing Company • Printed in the United States of America BPLA-298039-1221

