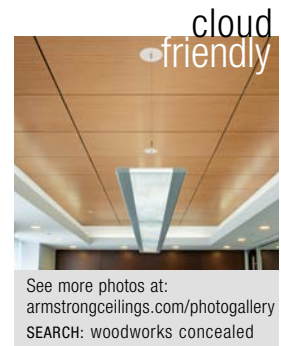
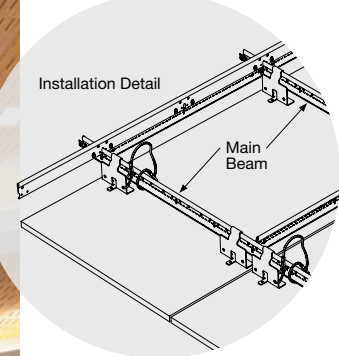


WOODWORKS® Concealed

Concealed Suspension

CAD/Revit® drawings at:
armstrongceilings.com/details



WoodWorks® Concealed 24" x 72" panels with W5 perforation in Bamboo Patina with Prelude® 15/16" suspension system (Pgs. 279-280)

This easy-to-install ceiling with a concealed suspension offers a continuous, monolithic visual.

KEY SELECTION ATTRIBUTES

- Mix and match standard panel sizes on the same project
- Narrow 1/4" reveal visual and 6" aluminum trim available in coordinating wood finishes or black
- Coordinating WoodWorks walls (see pages 341-342 for wall offering)
- Patented hook-on panels (for standard 15/16" suspension system) provide safe and secure downward accessibility
- Shorter lead times and lower cost than custom millwork
- Factory-edge banded for superior quality
- Complete standard system from one manufacturer (suspension system/panels/trim)

VENEERS Due to printing limitations, shade may vary from actual product.

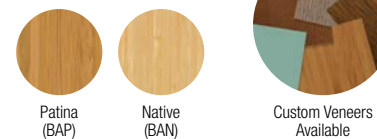
Natural Variations™ (Real Wood Veneers)



Constants™ (Real Wood Veneers)

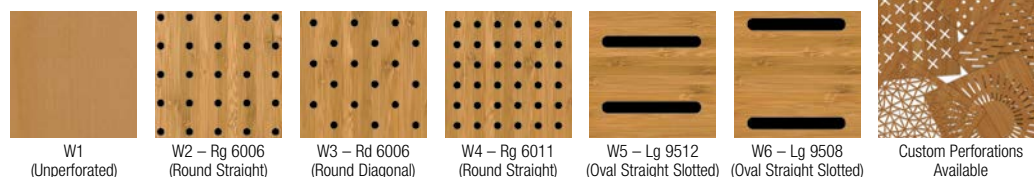


Bamboo**



** Veneer is rapidly renewable. Bamboo is a grass that only requires 3-7 years for maturity and does not have to be replanted after each harvest.

PERFORATION OPTIONS (Actual 1:6 scale shown)



NOTE: Slotted perforations run parallel to the length of the panel. To view more perforation information and build swatches in real time, visit armstrongceilings.com/swatchit

WOODWORKS® Concealed Concealed Suspension



USDA
CERTIFIED
BIOBASED
PRODUCT
PRODUCT 100%



UP TO **92%** RECYCLED CONTENT

LEED® energy management construction waste mgmt regional materials design for flexibility EPD recyclable/extended producer resp. biobased materials FSC (for wood) recycled content sourcing of raw materials material ingredient reporting low emitting materials lighting quality acoustics

Calculate LEED contribution at armstrongceilings.com/greengenie

VISUAL SELECTION

Edge Profile	Item Number*	Dimensions Nominal W x L x H (Inches) Custom Sizes Available	Perforations
FSC® certified WOODWORKS® Concealed			
	5983 _ _ _ _	24 x 48 x 3/4"	W1, W2, W3, W4, W5, W6
	5984 _ _ _ _	24 x 72 x 3/4"	W1, W2, W3, W4, W5, W6
	5985 _ _ _ _	24 x 96 x 3/4"	W1, W2, W3, W4, W5, W6

* When specifying or ordering, include the appropriate 2-digit perforation and 3-letter color suffixes. For veneers, sizes, and perforation patterns available as special order, call TechLine at 1 877 ARMSTRONG.

ACCESSORIES

Item Number	Description	Dimensions Nominal (Inches)	Color	Pieces/ Carton
6603W1 _ _ _ *	WoodWorks Concealed Trim**	6 x 120"	Standard Veneers (see below)	6
8200100	Fiberglass Infill Panel	24 x 24 x 1"	Black	12
5479	BioAcoustic™ Infill Panel	24 x 24 x 5/8"	Beige	12
5823	BioAcoustic Infill Panel	24 x 24 x 5/8"	Black (Matte)	12
6408 _ _ _ *	Edge Banding	300 x 3/4"	Standard Veneers (see page 117)	1

* When specifying or ordering, include the 3-letter color suffix that coordinates with your WoodWorks ceiling (e.g., 6408 **N M P**)
** Trim cartons include FXTBC Clips and FX4SPlice Splice Plates.
U.S. Patent number: 8,596,009

PERFORMANCE

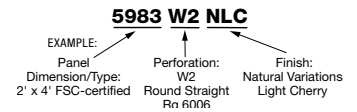
Fire Rating	Soil
Class A	
Class A	
Class A	

ACOUSTICAL INFORMATION

Dots represent high level of performance.

Perforation	NRC**
W1	N/A
W2	0.40
W3	0.40
W4	0.65
W5	0.55
W6	0.40

** Maximum NRC achieved with acoustical infill (item 8200100, 5479, or 5823). When infill is used, CAC is 28.



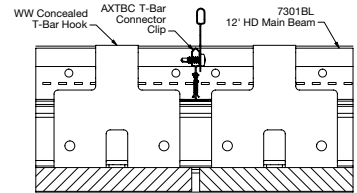
SUSPENSION SYSTEMS

When ordering suspension system materials, please note that this product requires Prelude® Heavy-duty (HD) main beams and 2' cross tees that are full height (1-11/16"). Both suspension system components should be specified in Tech Black (BL).

15/16" Standard: Prelude® BL (Tech Black)

Item Number	Description	Dimensions (Inches)	Pieces/Carton
5986	T-Bar Hook†	Nominal 4 x 2 x 3"	50
7123	Wood Screws	5/8"	300
6091	Safety Cable	24 x 3/32"	50
SH12	Support Hanger	144 x 2"	12

† For 24 x 48" panel, install 4 hooks; for 24 x 72" panel, install 6 hooks; for 24 x 96" panel, install 8 hooks. NOTE: Three screws per hook.
NOTE: Refer to installation instructions at armstrongceilings.com/installation for a better understanding of suspension systems requirements.



Installation Detail – WoodWorks Concealed Ceiling System

PHYSICAL DATA

Material

FSC certified fire-retardant particle board with face-cut veneers (SW-COC-003601). For more information about FSC certified products, or to view our FSC certification letter, visit armstrongceilings.com/woodworksfscc
6603 - Face-cut veneer or black paint on aluminum laminate substrate

Surface Finish

Clear or tinted semigloss coating

Fire Performance

ASTM E84 surface burning characteristics. Flame Spread Index 25 or less. Smoke Developed Index 50 or less.

CAN/ULC S102 surface burning characteristics. Flame Spread Rating 25 or less. Smoke Developed Classification 50 or less.

ASTM E1264 Classification

Composite – Fire Class A

Primary (Embodied) Energy

See all LCA information on our EPDs.

Application Considerations

Variation among panels may occur due to the natural characteristics of the wood and grain. Use of large wood panels may result in deflection up to 1/8" and cause alignment inconsistency due to size and ambient conditions.

It is very important that WoodWorks panels are climatized prior to installation. Relative humidity between 25% and 55%, and temperatures between 50°F and 86°F, must be maintained throughout the life of the product.

Design Considerations

For additional configuration ideas, refer to the WoodWorks Concealed Technical Guide, BPCS-4274, or visit armstrongceilings.com/woodworks

LEED® is a registered trademark of the US Green Building Council
Revit® is a registered trademark of Autodesk, Inc.
FSC® is a registered trademark of FSC Forest Stewardship Council, A.C., license code FSC-C007626. All other trademarks used herein are the property of AWI Licensing LLC and/or its affiliates
© 2016 AWI Licensing LLC Printed in the United States of America

Do not mix different panel sizes with slotted perforations. Perforation borders will not align. The use of Armstrong® Prelude 15/16" suspension system is strongly recommended. Cloud installations less than 6' wide are not recommended.

Specification Consideration

Attention: For FSC certified wood products to maintain their CoC certification, products must be sold to a CoC certified distributor, or directly to the installing contractor. Failure to do so breaks the CoC.

Seismic Restraint

WoodWorks Concealed panels have been engineered, tested, and approved for application in all seismic areas when installed per Armstrong installation instructions.

Warranty

Details at armstrongceilings.com/warranty

Weight/Square Feet

5983, 5984, 5985 - 2.75 lbs/SF; bulk packaged per order. Suspension system, hardware, and accessories ordered separately.

TechLine™ / 1 877 ARMSTRONG
armstrongceilings.com/woodworks
(search: woodworks concealed)
BPCS-5105-616