

new AXIOM® Indirect Light Covers

DeclareSM
Living Building
Challenge Complaint

SUSTAIN™
High Performance
Sustainable
Ceiling Systems

50% RECYCLED CONTENT
ALUMINUM

Calculate LEED contribution at
armstrongceilings.com/greengenie

LEED	energy management	construction waste mgmt	regional materials	design for flexibility	EPD	recyclable/extended producer resp.	biobased materials	recycled content	sourcing of raw materials	material ingredient reporting	low emitting materials	lighting quality	acoustics
-------------	-------------------	-------------------------	--------------------	------------------------	-----	------------------------------------	--------------------	------------------	---------------------------	-------------------------------	------------------------	------------------	-----------

LOCATION DEPENDENT



Axiom Indirect Light Covers

KEY SELECTION ATTRIBUTES

- Axiom® Indirect Light Covers offer predictable lighting performance and perfect integration with all Armstrong® suspension systems
- Axiom Indirect Light Covers is part of the Sustain™ portfolio and meets the most stringent sustainability compliance standards today
- With our three lighting partners, this pre-engineered solution offers a variety of options with both Ceiling-to-Wall and Ceiling-to-Ceiling light covers and sizes
- Featuring a new Knife Edge® profile that brings acoustical panels out to the edge of the cove
- 10-Year Limited Warranty, 30-Year System Warranty

TYPICAL APPLICATIONS

- Offices
- Corridors
- Restrooms
- Healthcare
- Lobbies
- Boardrooms
- Retail

LIGHTING FIXTURES

Compatible with:
Axis Lighting, Litecontrol, and Vode® Lighting.



VISUAL SELECTION

Specify Indirect Light Cove Item Number

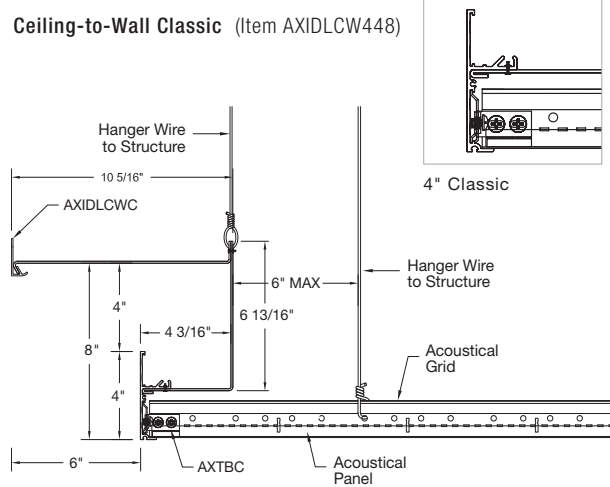
Example: AXIDLCC448S – Axiom Indirect Light Cove, Ceiling-to-Ceiling, 8" Classic Light Cove with Plenum Air Slots

Light Cove Type	Mounting	Edge Detail	Size*	Options
<input type="checkbox"/> AXIDL	--	--	----	--
	CC – Ceiling-to-Ceiling	4 – 4" Classic KE – Knife Edge ACT KD – Knife Edge Drywall	812 – 12" Height 1014 – 14" Height 1216 – 16" Height 1418 – 18" Height 1620 – 20" Height	Blank S – Plenum Air Slots
<input type="checkbox"/> AXIDL	--	--	----	--
	CW – Ceiling-to-Wall	4 – 4" Classic KE – Knife Edge ACT KD – Knife Edge Drywall	48 – 8" Height 610 – 10" Height	Blank S – Plenum Air Slots

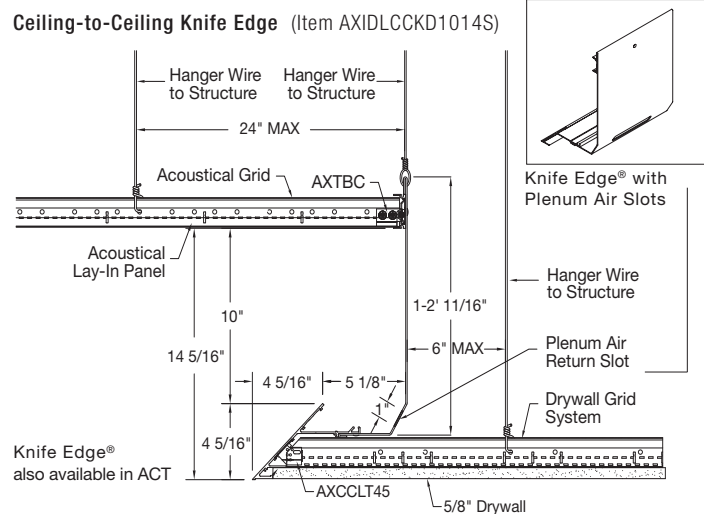
* Light Covers are 10' in length

STRAIGHT

Ceiling-to-Wall Classic (Item AXIDLCW448)



Ceiling-to-Ceiling Knife Edge (Item AXIDLCKD1014S)



VISUAL SELECTION

Specify Indirect Light Cove Corner Item Number (**NOTE – only use this section if you need corners on your project**)

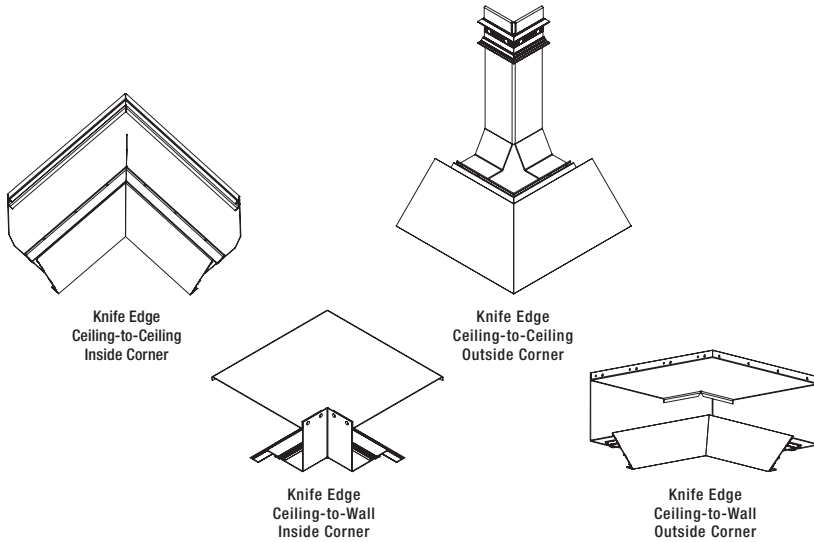
Example: AXIDLCC448IC – Axiom Indirect Light Cove, Ceiling-to-Ceiling, 8" Classic Light Cove Inside Corner

Light Cove Type	Mounting	Edge Detail	Size**	Options
<input type="checkbox"/> AXIDL	--	--	----	--
	CC – Ceiling-to-Ceiling	4 – 4" Classic KE – Knife Edge ACT KD – Knife Edge Drywall	812 – 12" Height 1014 – 14" Height 1216 – 16" Height 1418 – 18" Height 1620 – 20" Height	IC – Inside Corner OC – Outside Corner
<input type="checkbox"/> AXIDL	--	--	----	--
	CW – Ceiling-to-Wall	4 – 4" Classic KE – Knife Edge ACT KD – Knife Edge Drywall	48 – 8" Height 610 – 10" Height	IC – Inside Corner OC – Outside Corner

** Light Cove Corners are 12" in length and 12" in width

NOTE: Elevations and shop drawings are required for the manufacturing of this product. Contact Armstrong Customer Service at 1 877 276 7876, select options 1-1-2 for quotation.

CORNERS for Knife Edge® Profiles



ACCESSORIES

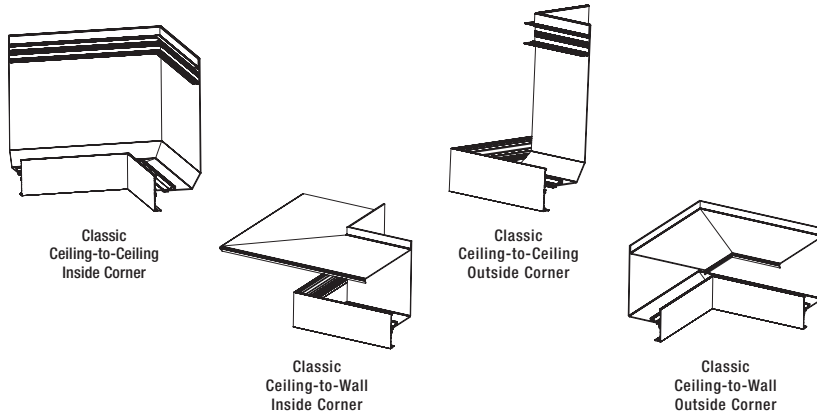
Item No.	Description
<input type="checkbox"/> AXCCLT45	45 Degree T-Bar Connector Twist For use with Knife Edge Covers
<input type="checkbox"/> AXIDLCWC	Indirect Light Cove Wall Clip For use with Ceiling-to-Wall Light Covers
<input type="checkbox"/> AXBTSTR	Axiom Bottom Drywall Trim For use with 4" Classic Edge Covers only
<input type="checkbox"/> AXTBC	T-Bar Connector Clip For use with 4" Classic Edge Covers only
<input type="checkbox"/> AX4SPLICE	Axiom Splice Plate

COLOR

Standard



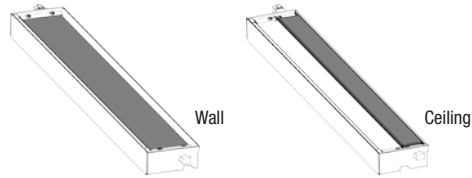
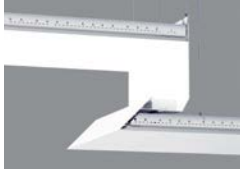
CORNERS for Classic Profiles



COMPATIBLE LIGHT FIXTURES

CovePerfekt™ by Axis Lighting

For more information: www.axislighting.com



Outstanding Aesthetics

- No shadows. No bright spots. No color shifting.

Easy Specification

- Aim-free luminaire. No need for complex details. Less trade coordination.

Unparalleled Performance

- Twice the efficiency of other LED cove products.
- Wide distribution using SurroundLite™ technology.

Worry-free Installation & Maintenance

- Foolproof keyed mounting. Up to 90% less labor.



Cove-17L by Litecontrol

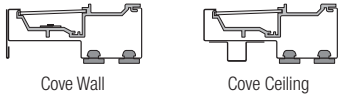
For more information: www.litecontrol.com

Superior Performance

- Output range: 300-1000 lm/ft specify in 50 lumen increments
- Two MacAdam ellipse max color variation

Flexible Specifications

- Variable intensity technology allows precise output and wattage specification
- Customizable fixture lengths; specify 3" increments, min. 1'



Installation and Maintenance

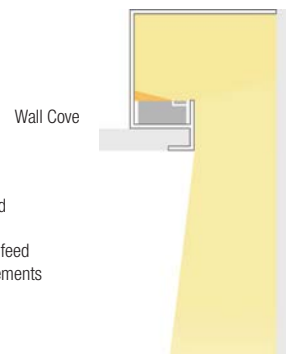
- External connectors for tool-less fixture joining
- Removable LED module for in-field replacement



ZipWave™ | LED | 707 by Vode® Lighting

Perfect color, perfect beam, perfect alignment... every time

For more information: www.vode.com/zipwave-led-707



Exceptional Performance

- Low, standard and high outputs available
- High output over 1200 lm/ft.
- Customizable output and wattage options

Foolproof Installation

- Drop-in, tool-free installation with plug and play connections
- Runs 100' or more from one 120v power feed
- Section lengths in exact 1' (305mm) increments



PHYSICAL DATA

Material

Commercial quality 3003 aluminum alloy

Surface Finish

Factory-applied baked polyester paint finish

Warranty

10-Year Limited Warranty; 30-Year System Warranty

Profile

Various options with both Ceiling-to-Wall and Ceiling-to-Ceiling Light Covers in a wide range of sizes with 3/4" horizontal flange.

Cross Tee/Main Beam Interface

Flush fit

End Detail

Splice with screws

ICC Reports

For areas under ICC jurisdiction, see evaluation report numbers ESR-1289 and ESR-1308 for allowable values and/or conditions of use concerning the suspension system components listed on this page. The reports are subject to reexamination, revisions, and possible cancellation.

Application Considerations

Axiom Indirect Light Covers cannot be curved.