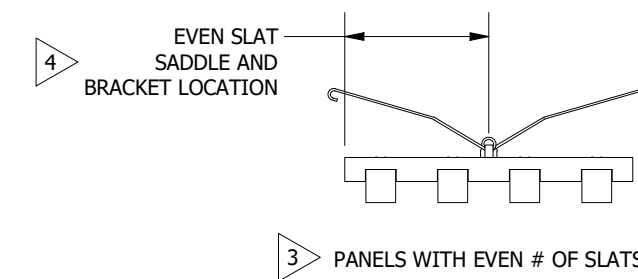
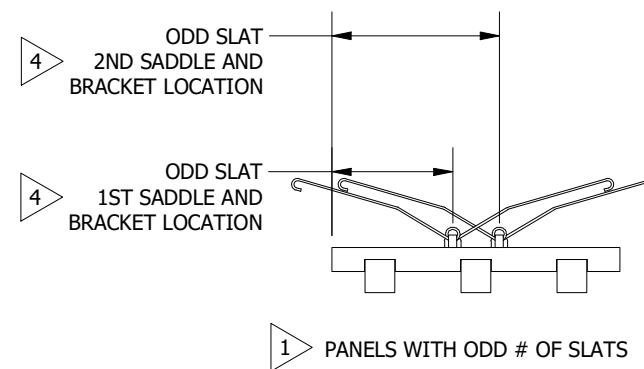
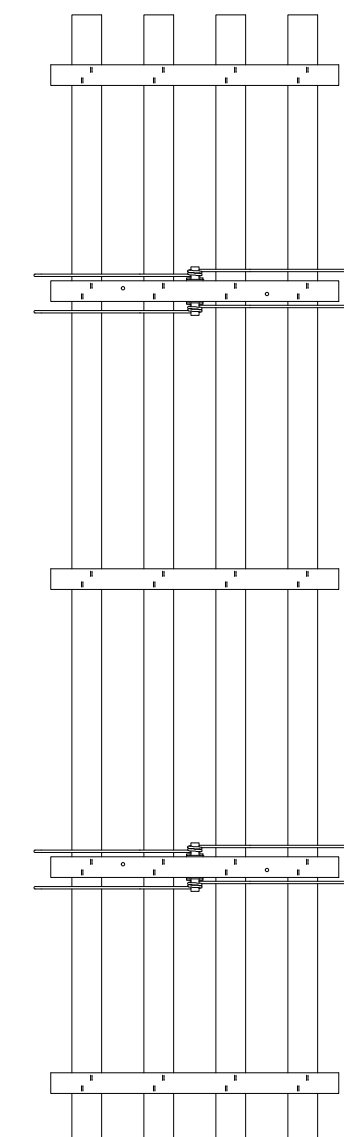
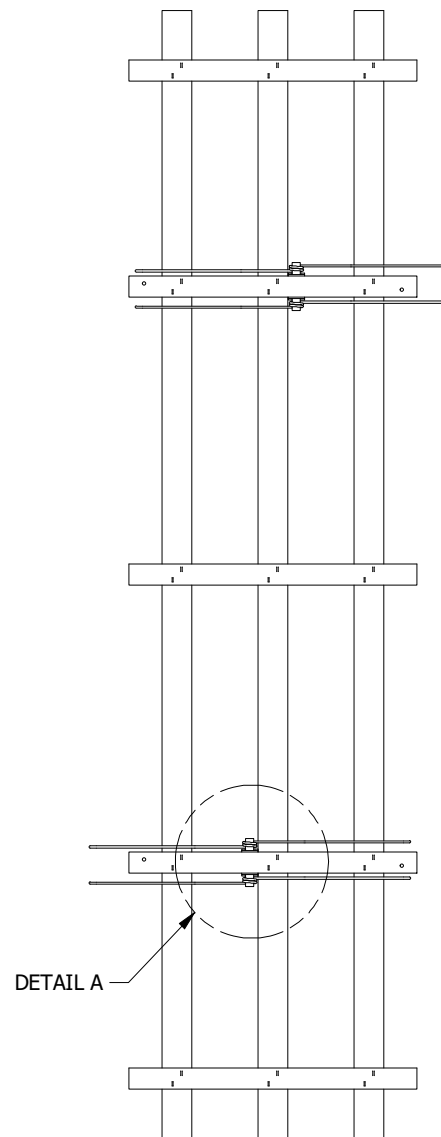
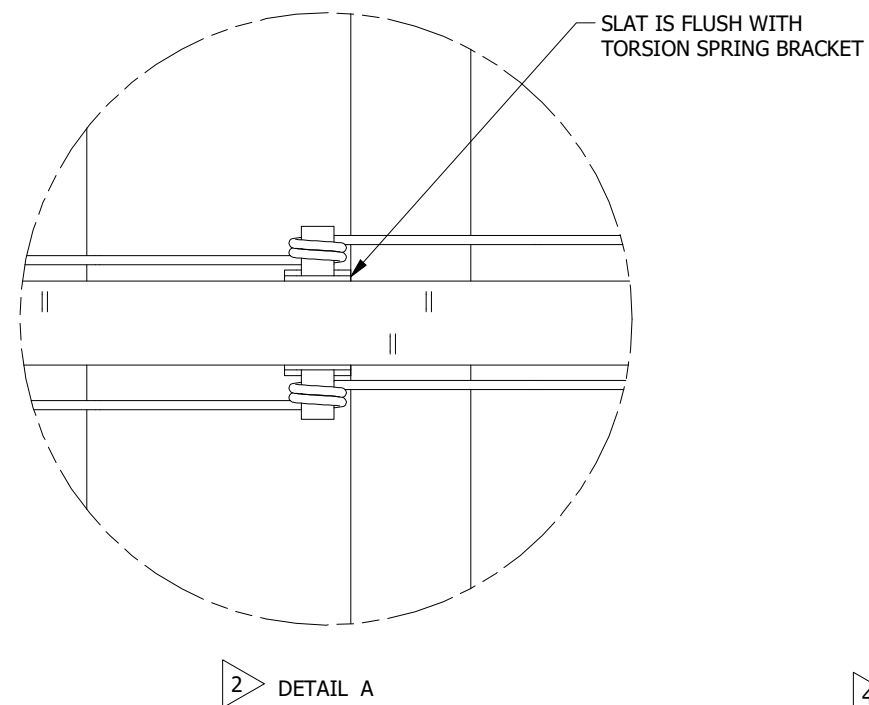


NOTES:

1. FOR PANELS WITH AN ODD NUMBER OF SLATS, PLACE TORSION SPRING BRACKETS ON HANGING BACKERS, ALTERNATING ON EITHER SIDE OF THE CENTRAL SLAT
2. ENSURE BRACKET IS FLUSH TO THE SIDE OF THE SLAT
3. FOR PANELS WITH AN EVEN NUMBER OF SLATS, PLACE TORSION SPRING BRACKETS CENTERED ON HANGING BACKERS
4. SEE INSTALLATION INSTRUCTIONS FOR SADDLE AND BRACKET LOCATION DIMENSIONS



WOODWORKS GRILLE FORTÉ TORSION SPRING ACCESS DOOR
TORSION SPRING SADDLE AND BRACKET LOCATION AND COUNT

DRAWN BY: APF DATE: 11/1/2022 PD

These drawings show typical conditions which the Armstrong products depicted are installed. They are not a substitute for an architect's or engineer's plan and do not reflect the unique requirements of local building codes, laws, statutes, ordinances, rules and regulations (Legal Requirements) that may be applicable for a particular installation. Armstrong does not warrant, and assumes no liability for the accuracy or completeness of the drawings for a particular installation or their fitness for a particular purpose. The user is advised to consult with a duly licensed architect or engineer in the particular locale of the installation to assure compliance with all legal requirements. Armstrong is not licensed to provide professional architecture or engineering design services.