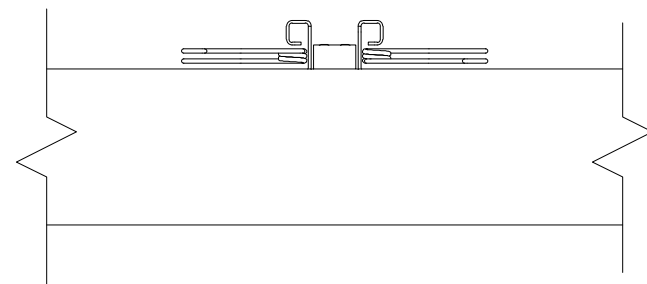
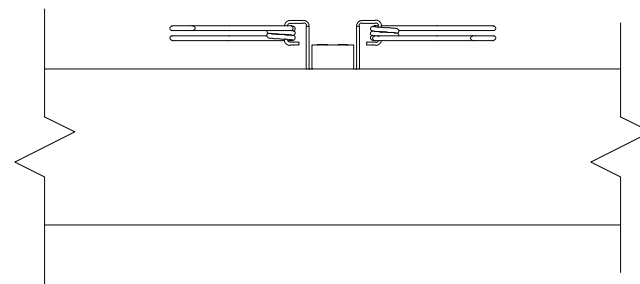


SADDLE INSTALLATION  
SCALE 1 / 2

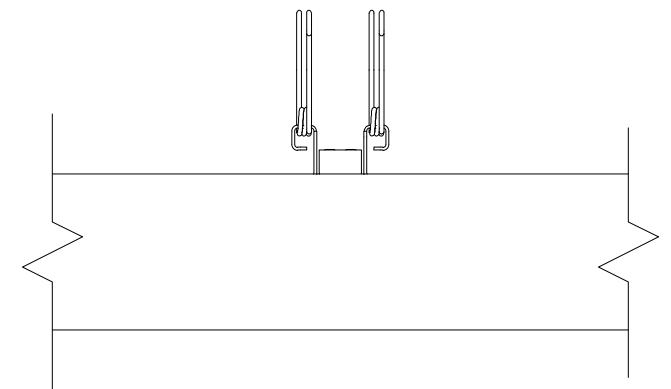
1) ALIGN 2 SPRINGS WITH EACH BRACKET



2) RAISE SPRINGS ONTO BRACKET ARMS



3) WHEN READY TO INSTALL PANELS, ROTATE SPRINGS UP



SPRING INSTALLATION  
SCALE 1 / 4



WOODWORKS GRILLE FORTÉ TORSION SPRING ACCESS DOOR  
SADDLE AND SPRING INSTALLATION

DRAWN BY: APF

DATE: 11/3/2022

PD

These drawings show typical conditions which the Armstrong products depicted are installed. They are not a substitute for an architect's or engineer's plan and do not reflect the unique requirements of local building codes, laws, statutes, ordinances, rules and regulations (Legal Requirements) that may be applicable for a particular installation. Armstrong does not warrant, and assumes no liability for the accuracy or completeness of the drawings for a particular installation or their fitness for a particular purpose. The user is advised to consult with a duly licensed architect or engineer in the particular locale of the installation to assure compliance with all legal requirements. Armstrong is not licensed to provide professional architecture or engineering design services.