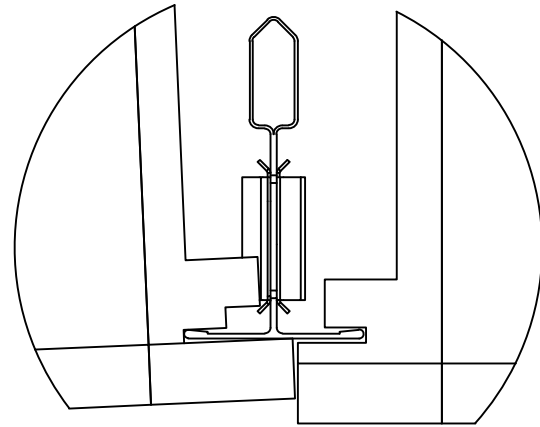


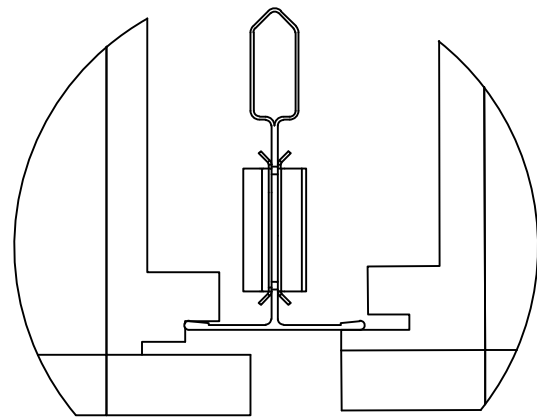
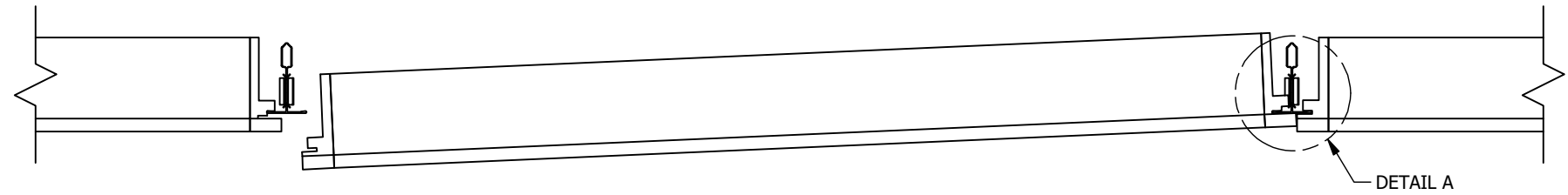
NOTES:

- WOODWORKS OPEN CELL PANELS ARE TO BE INSTALLED AND REMOVED USING THIS ORDER OF OPERATIONS



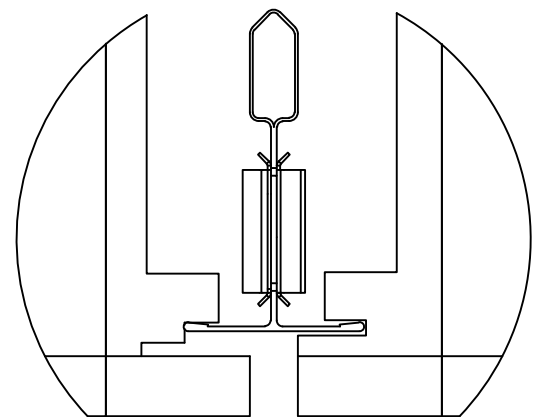
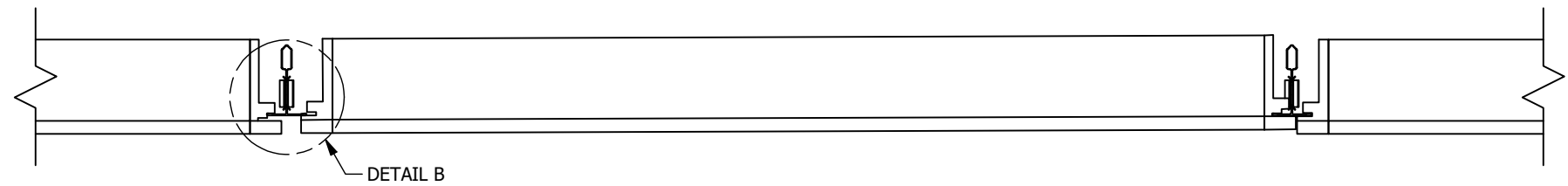
DETAIL A  
SCALE 1 : 1

- FULLY INSERT THE DEEPEST KERF OF EDGE "A", THE ACCESS KERF, ONTO THE EXPOSED GRID FLANGE



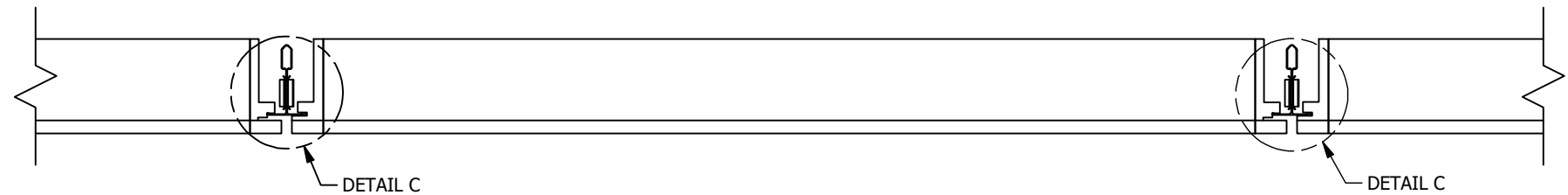
DETAIL B  
SCALE 1 : 1

- RAISE THE "B" EDGE OF THE PANEL, THE REGISTRATION KERF, INTO THE GRID OPENING UNTIL THE KERF LINES UP WITH THE GRID FLANGE



DETAIL C  
SCALE 1 : 1

- SLIDE THE PANEL SO THAT THE REGISTRATION KERF ON EDGE "B" ENGAGES THE GRID FLANGE. ENSURE THAT THE ACCESS KERF ON EDGE "A" DROPS DOWN INTO THE CORRECT POSITION



WOODWORKS OPEN CELL  
PANEL INSTALLATION AND REMOVAL

DRAWN BY: APF DATE: 12/12/2022 PD

These drawings show typical conditions which the Armstrong products depicted are installed. They are not a substitute for an architect's or engineer's plan and do not reflect the unique requirements of local building codes, laws, statutes, ordinances, rules and regulations (Legal Requirements) that may be applicable for a particular installation. Armstrong does not warrant, and assumes no liability for the accuracy or completeness of the drawings for a particular installation or their fitness for a particular purpose. The user is advised to consult with a duly licensed architect or engineer in the particular locale of the installation to assure compliance with all legal requirements. Armstrong is not licensed to provide professional architecture or engineering design services.