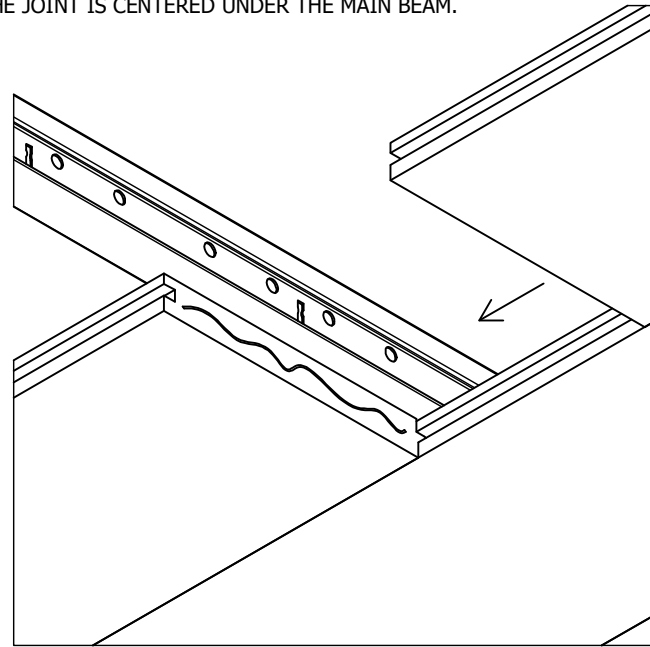


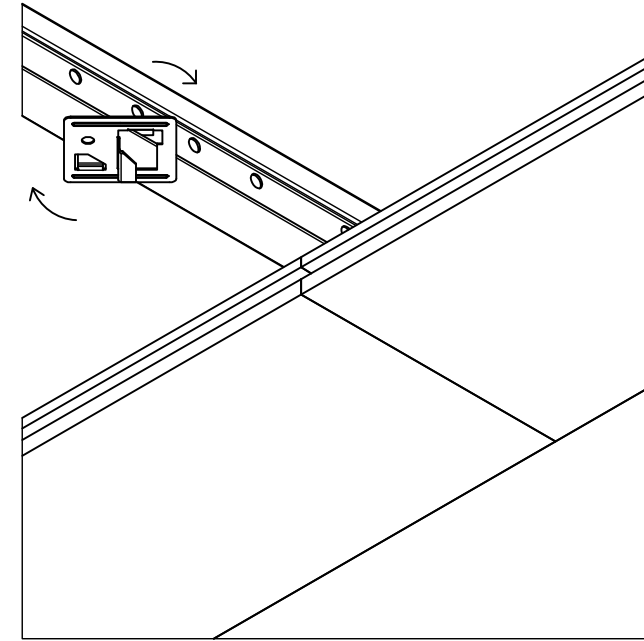
NOTES:

1) INSTALL PLANKS TO GRID IN THE FOLLOWING PRESCRIBED SEQUENCE OF OPERATIONS

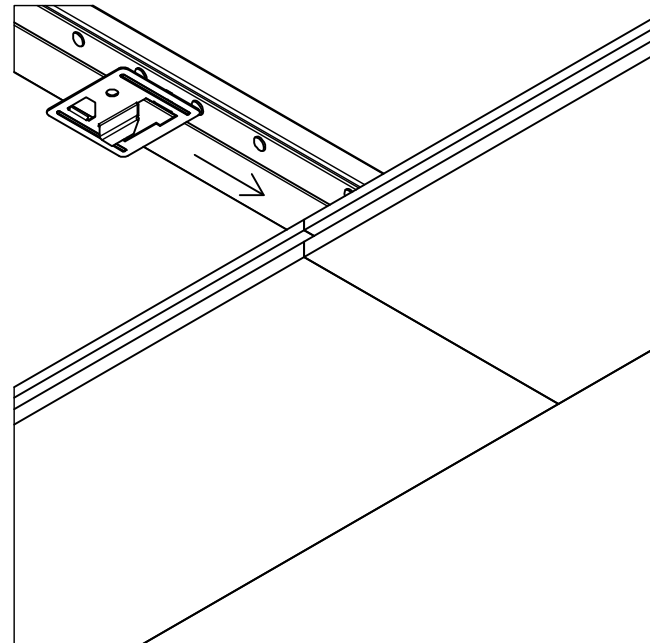
- 1) APPLY A STRIP OF ADHESIVE TO THE SHORT END OF INSTALLED PLANK AS SHOWN. BUTT THE END OF THE NEXT PLANK AGAINST THE END OF THE INSTALLED PLANK AND ENSURE THAT THE JOINT IS CENTERED UNDER THE MAIN BEAM.



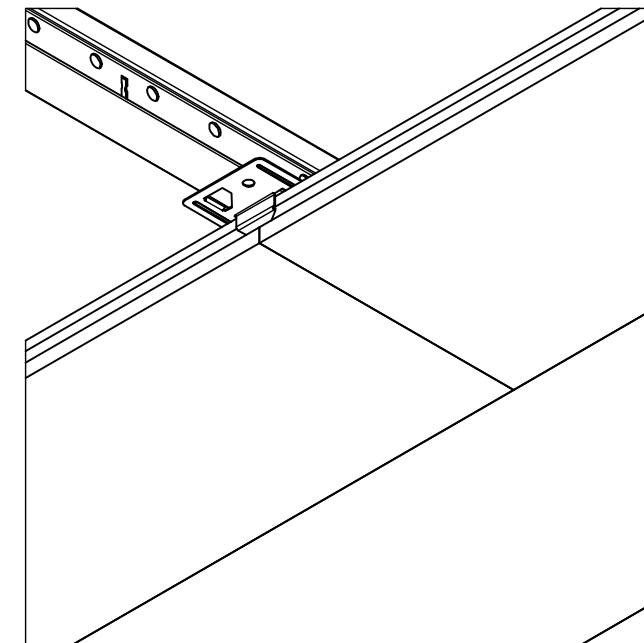
- 2) WHILE HOLDING THE PLANK TIGHTLY UP AGAINST THE GRID, INSTALL CHANNELED PLANK CLIPS ONTO ALL OF THE MAIN BEAMS SPANNING THE LENGTH OF THE PLANK BY TWISTING THE CLIPS 45° SO THAT THE SMALL FLANGES HOOK AND ENGAGE OVER THE LOWER FLANGE OF THE MAIN BEAMS.



- 3) SLIDE EACH OF THE INSTALLED PLANK CLIPS INTO THE GROOVE OF THE PLANK.



- 4) ENSURE THAT ALL OF THE CLIPS 24" O.C. ALONG THE LENGTH OF THE PLANK ARE TIGHTLY ENGAGED WITH THE GROOVE OF THE PLANK BEFORE LETTING GO OF THE PLANK.



Armstrong
CEILING & WALL SOLUTIONS

WOODWORKS LINEAR VENEERED CLOSED
FIELD PLANKS INSTALLATION

DRAWN BY: PRW DATE: 6/6/2023 PD

These drawings show typical conditions which the Armstrong products depicted are installed. They are not a substitute for an architect's or engineer's plan and do not reflect the unique requirements of local building codes, laws, statutes, ordinances, rules and regulations (Legal Requirements) that may be applicable for a particular installation. Armstrong does not warrant, and assumes no liability for the accuracy or completeness of the drawings for a particular installation or their fitness for a particular purpose. The user is advised to consult with a duly licensed architect or engineer in the particular locale of the installation to assure compliance with all legal requirements. Armstrong is not licensed to provide professional architecture or engineering design services.