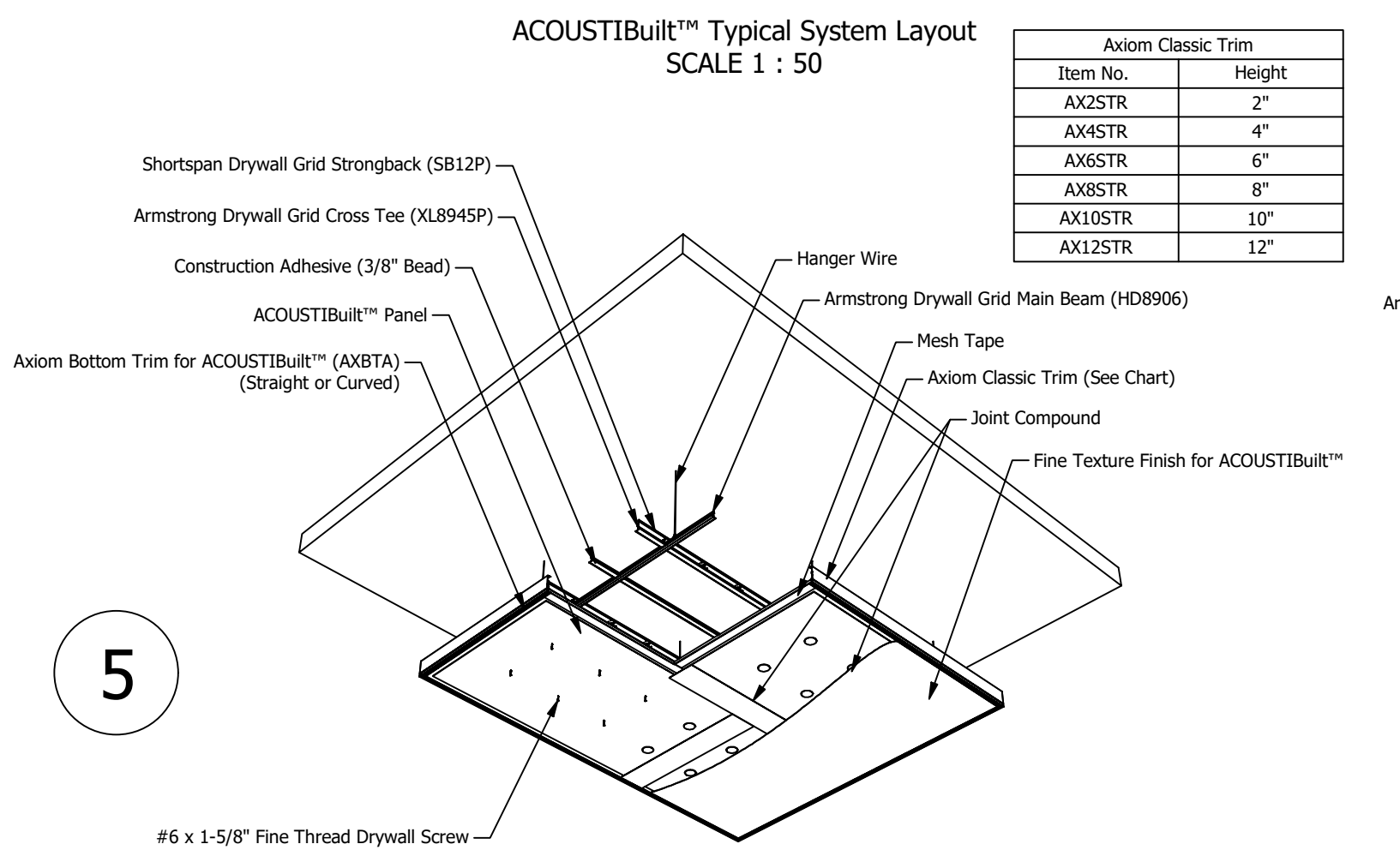


ACOUSTIBuilt™ Typical System Layout  
SCALE 1 : 50

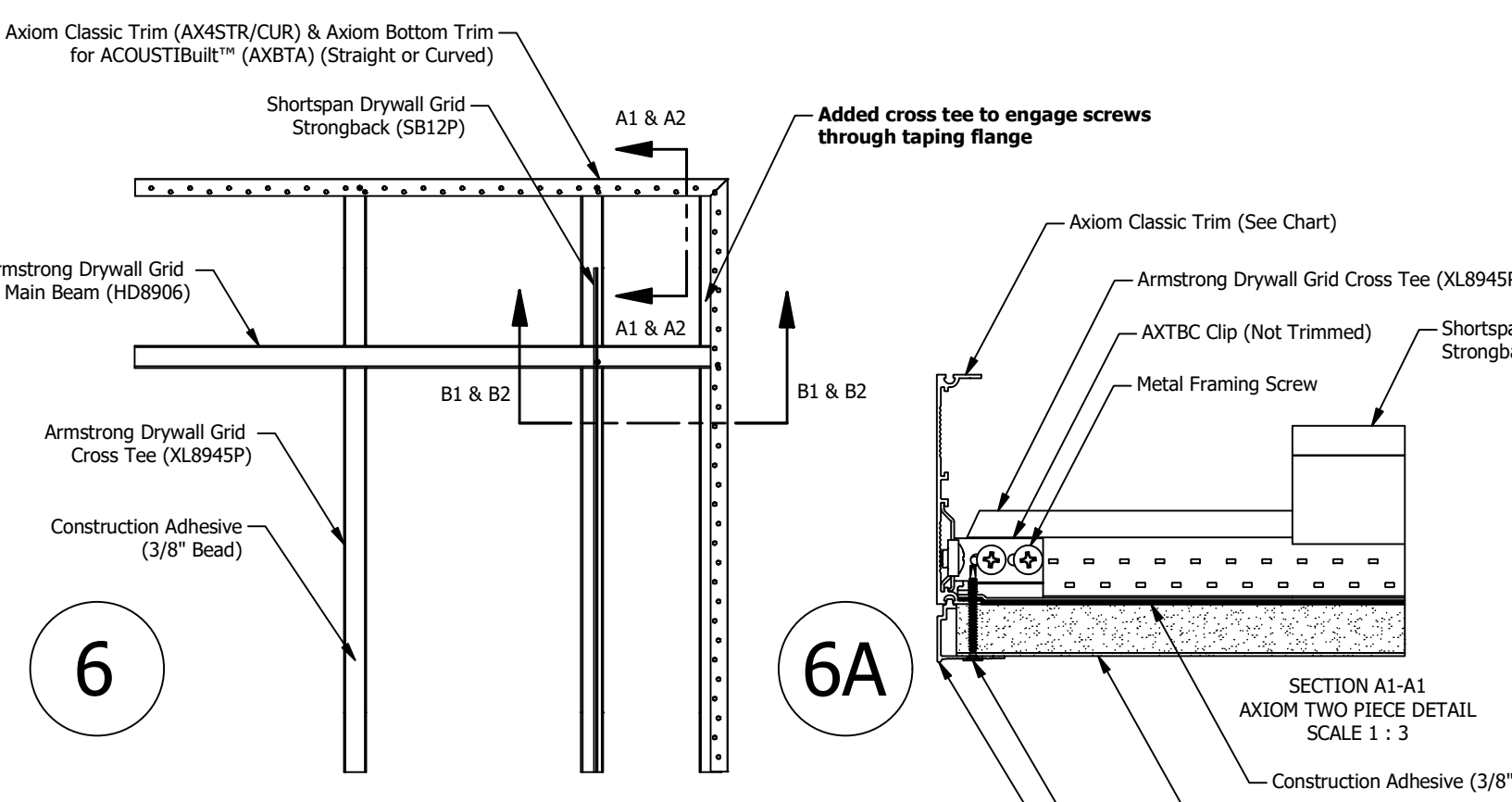
ACOUSTIBuilt™ Typical Grid and Panel Layout  
SCALE 1 : 25

ACOUSTIBuilt™ Grid Adhesive Layout  
SCALE 1 : 16

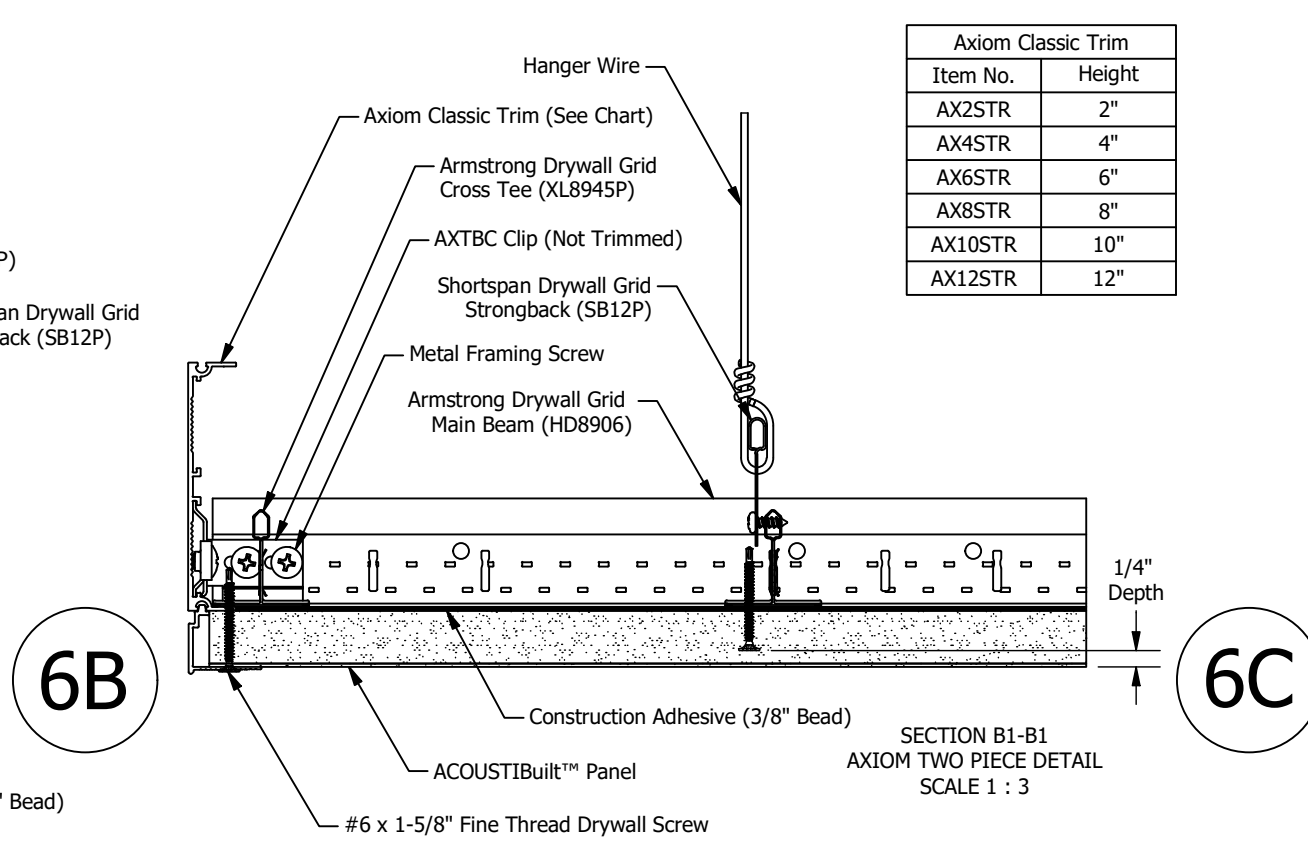
ACOUSTIBuilt™ Generic Panel Attachment at Cutout  
SCALE 1 : 16



ACOUSTIBuilt™ System Cloud with Axiom Trim  
SCALE 1 : 40

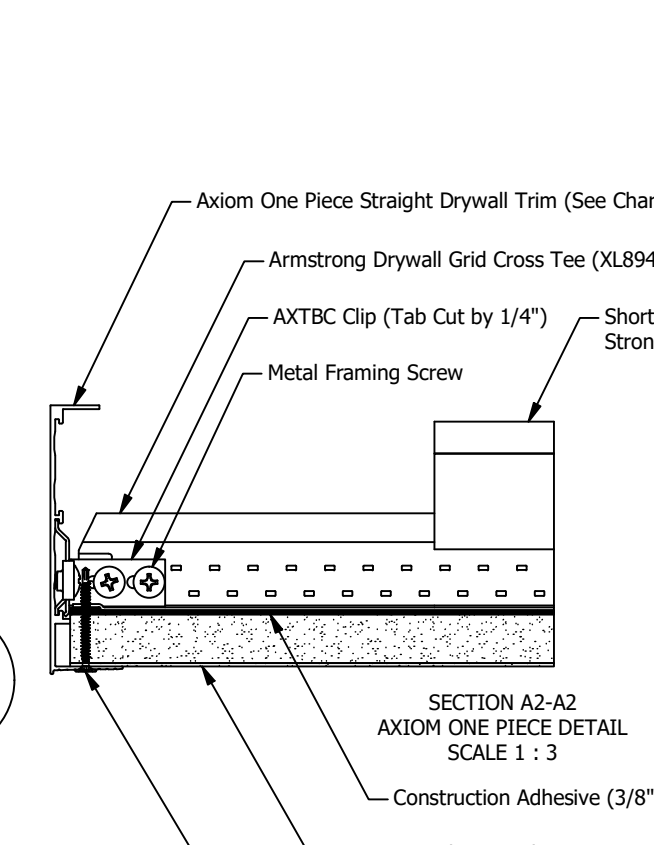


ACOUSTIBuilt™ Axiom Cloud  
Axiom Cloud with Two Piece Trim Shown  
(ACOUSTIBuilt Panel Not Shown in this View)  
SCALE 1 : 12



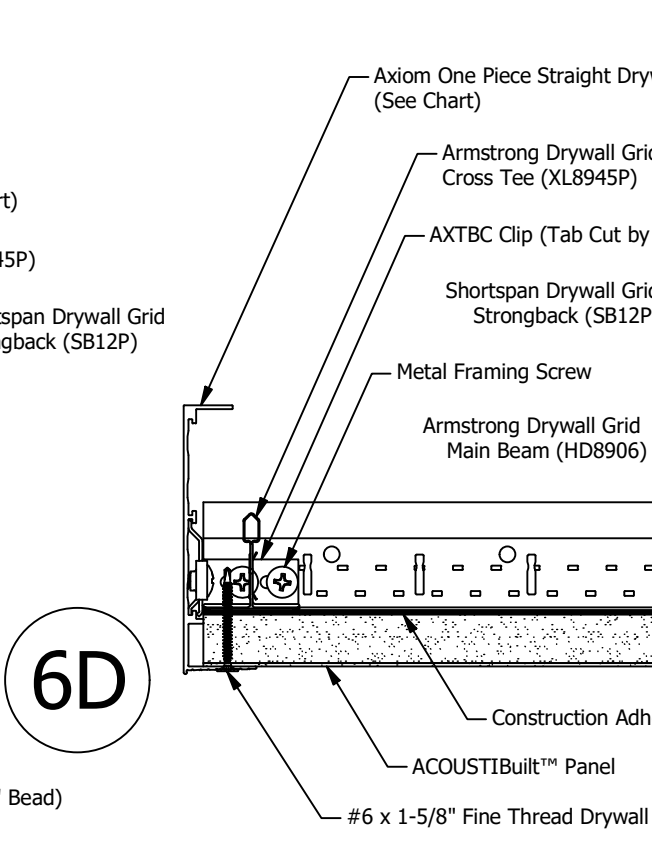
6A

SECTION A1-A1  
AXIOM TWO PIECE DETAIL  
SCALE 1 : 3



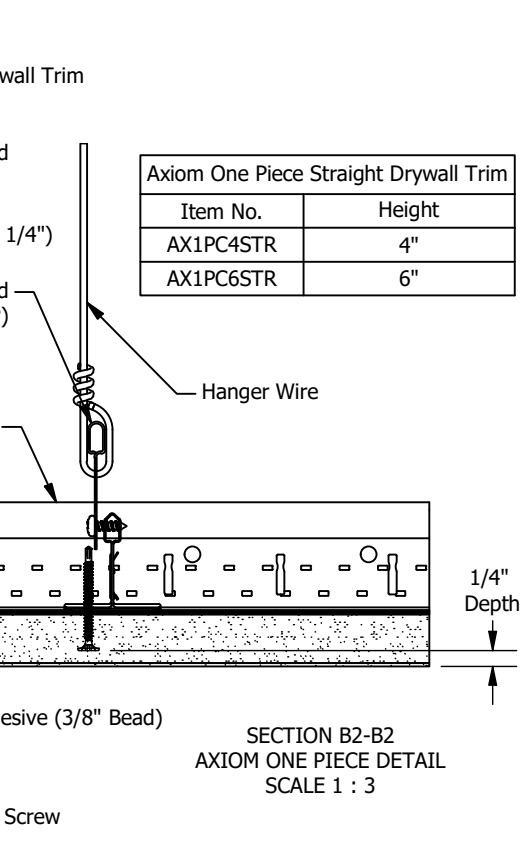
6B

SECTION B1-B1  
AXIOM TWO PIECE DETAIL  
SCALE 1 : 3



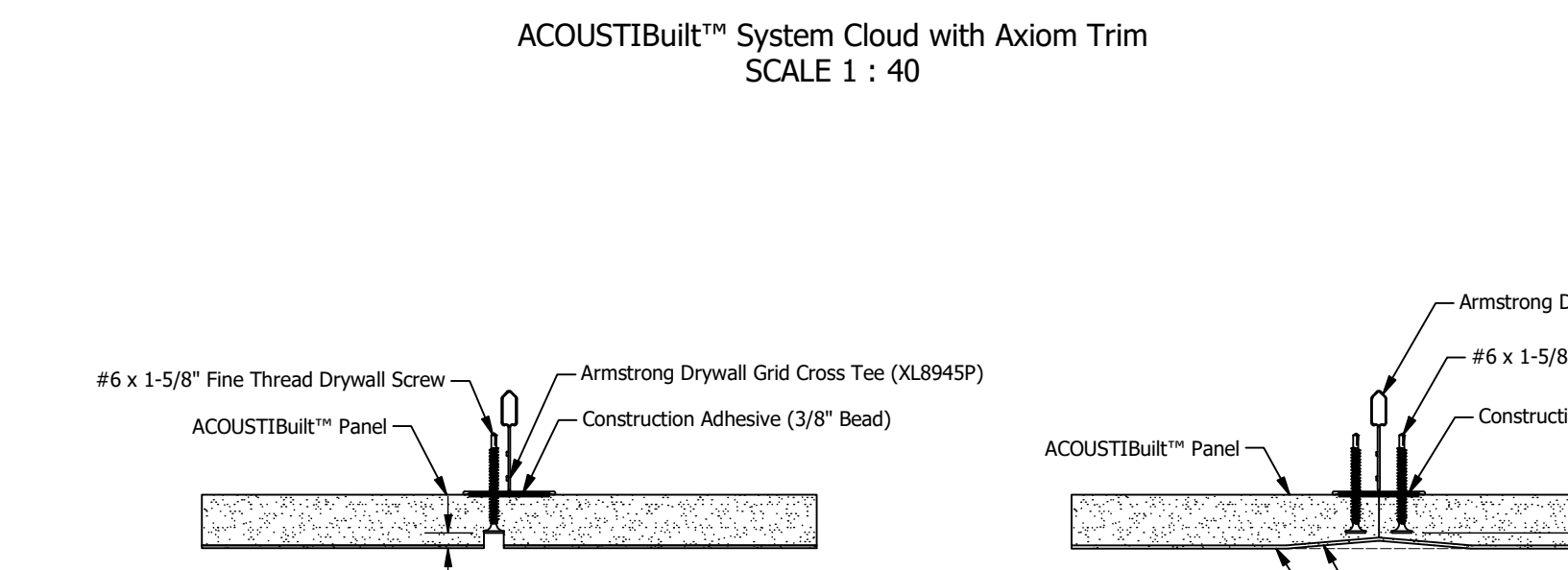
6C

SECTION A2-A2  
AXIOM ONE PIECE DETAIL  
SCALE 1 : 3

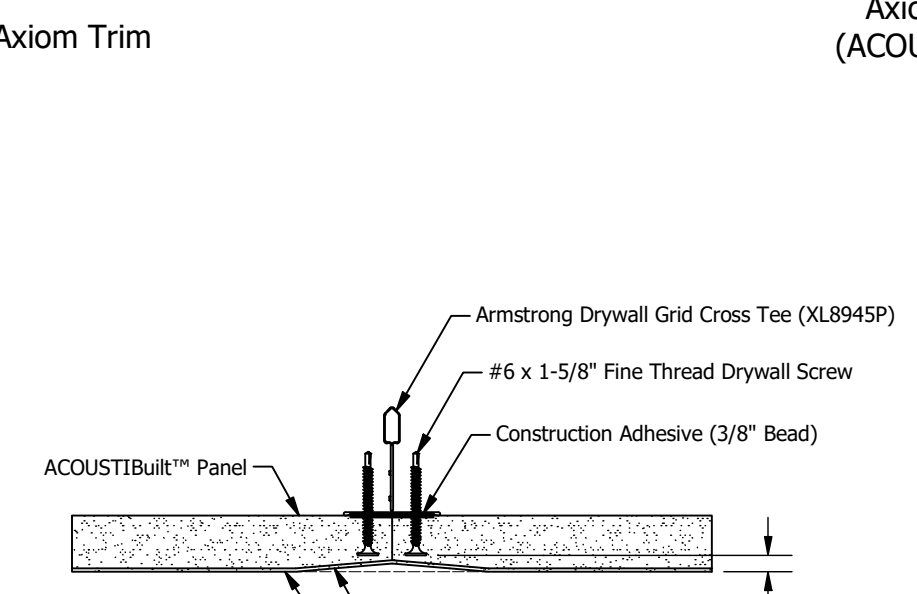


6D

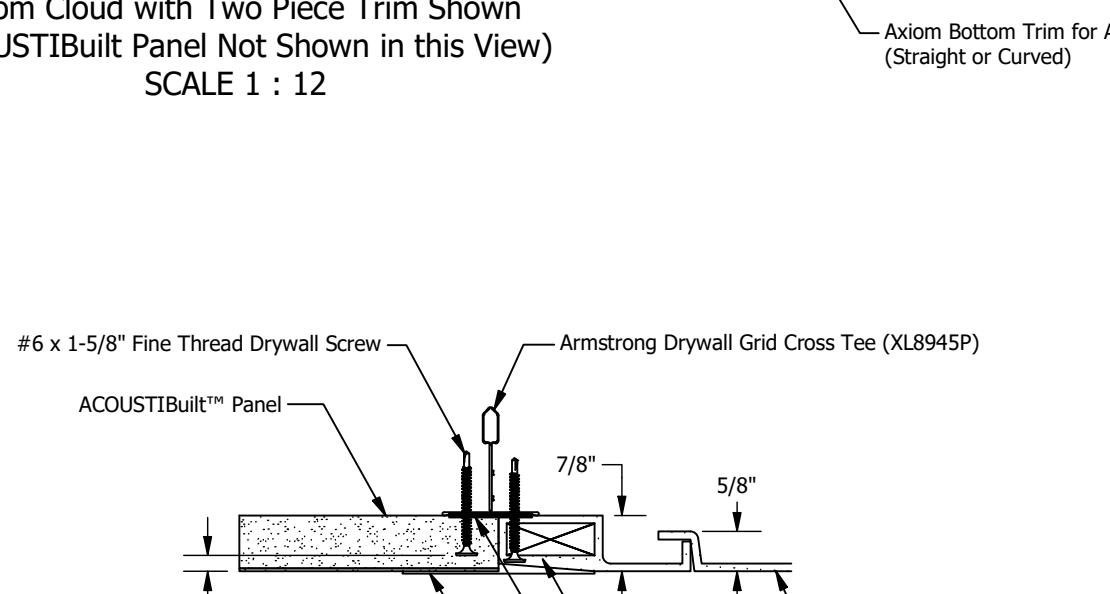
SECTION B2-B2  
AXIOM ONE PIECE DETAIL  
SCALE 1 : 3



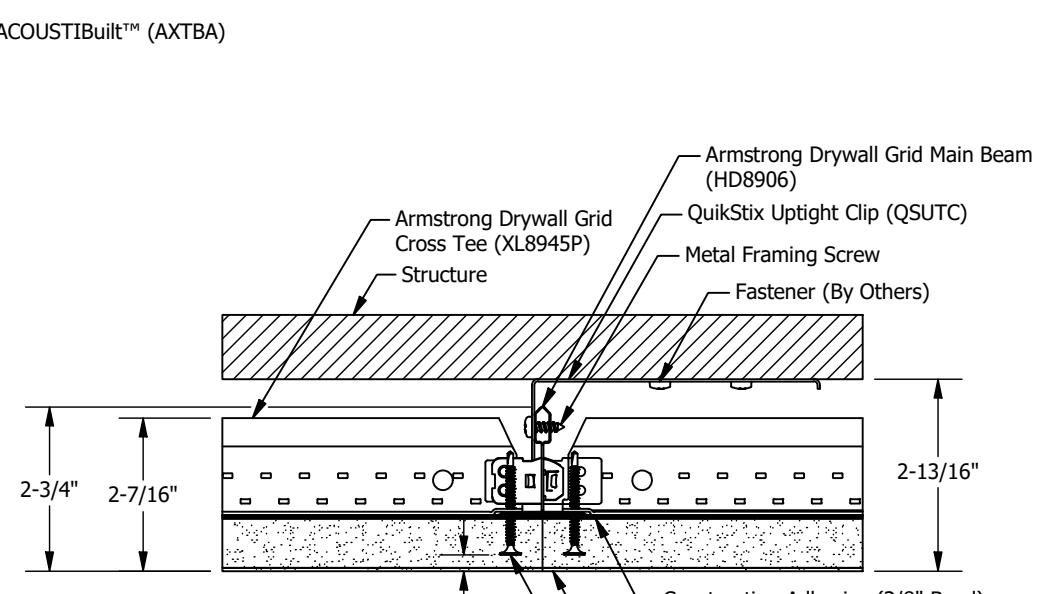
ACOUSTIBuilt™ Fastener Detail  
SCALE 1 : 3



ACOUSTIBuilt™ Fastener Detail at Panel Joint  
SCALE 1 : 3

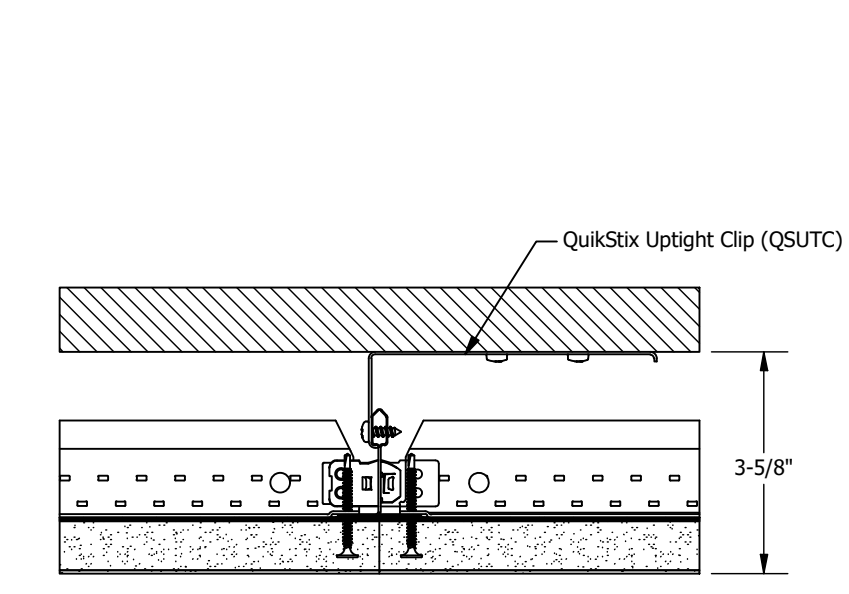


ACOUSTIBuilt™ with CastWorks™ GFRG Access Panel  
SCALE 1 : 3



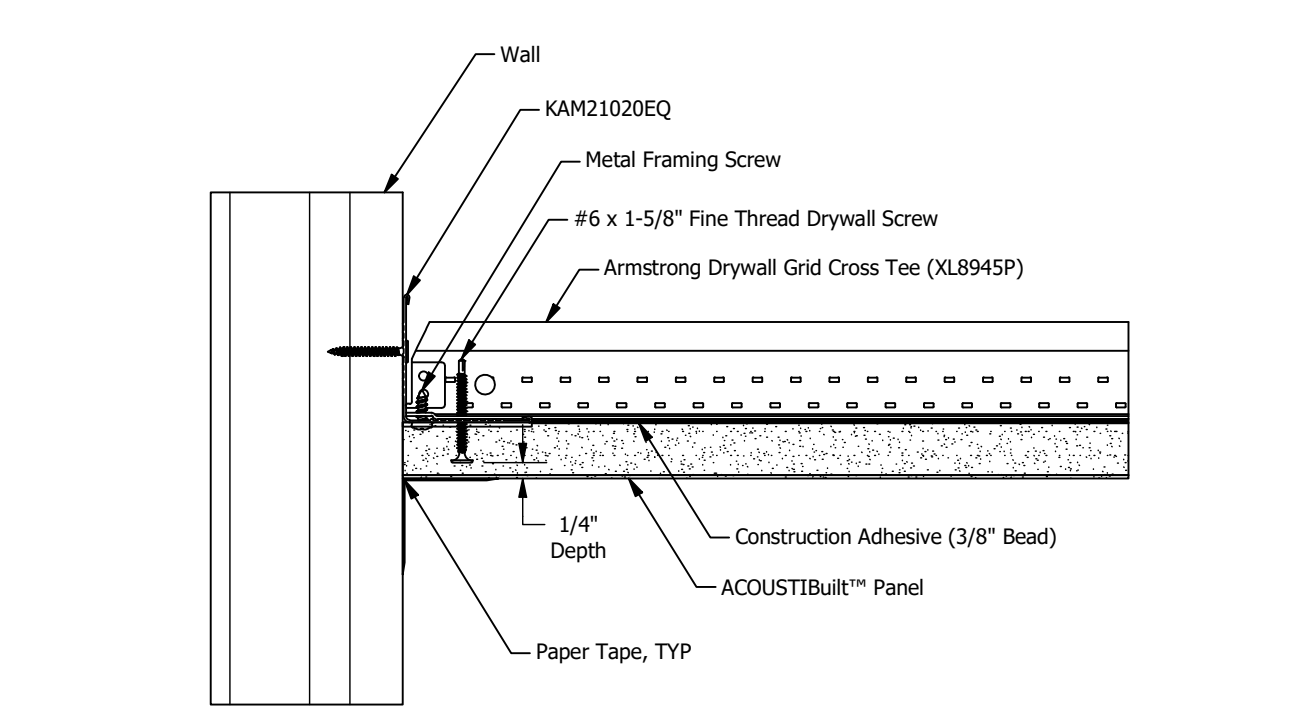
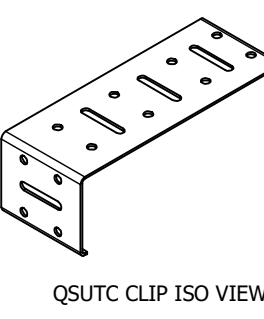
10

ACOUSTIBuilt™ Attached to Structure with QSUTC  
SCALE 1 : 3 (EACH VIEW)

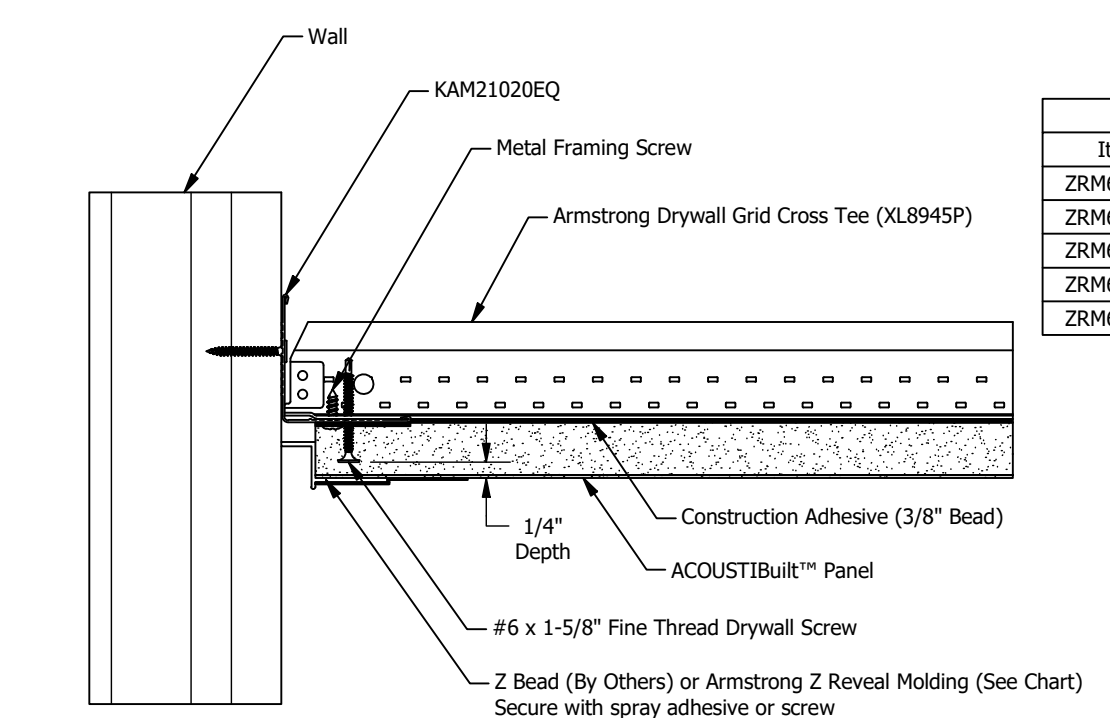


11

Control Joint  
SCALE 1 : 3



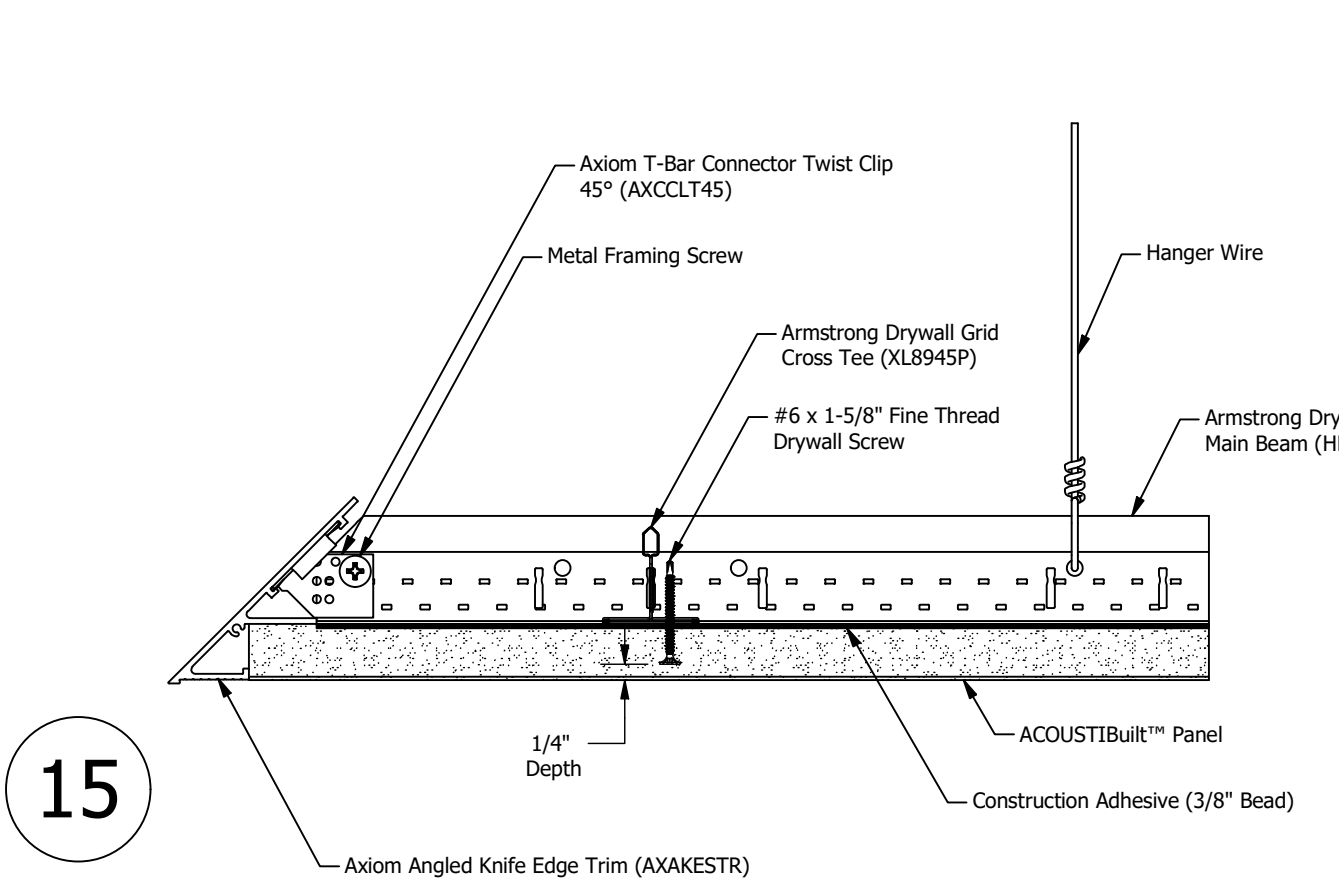
ACOUSTIBuilt™ Finished to Wall  
SCALE 1 : 3



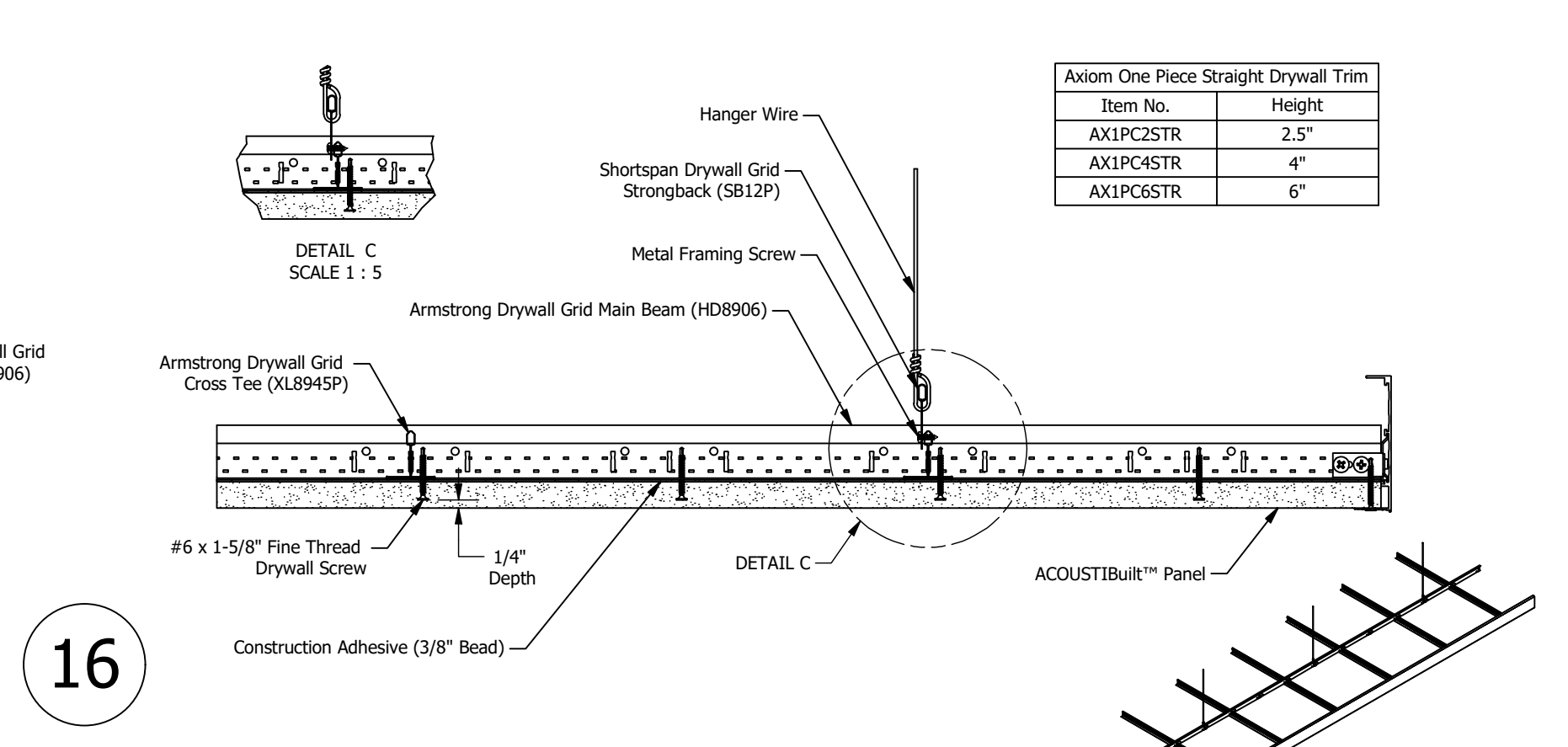
ACOUSTIBuilt™ Reveal at Wall  
SCALE 1 : 3

Z Reveal Molding	
Item No.	Reveal Width
ZRM625250STR	1/4"
ZRM625375STR	3/8"
ZRM625500STR	1/2"
ZRM625625STR	5/8"
ZRM625750STR	3/4"



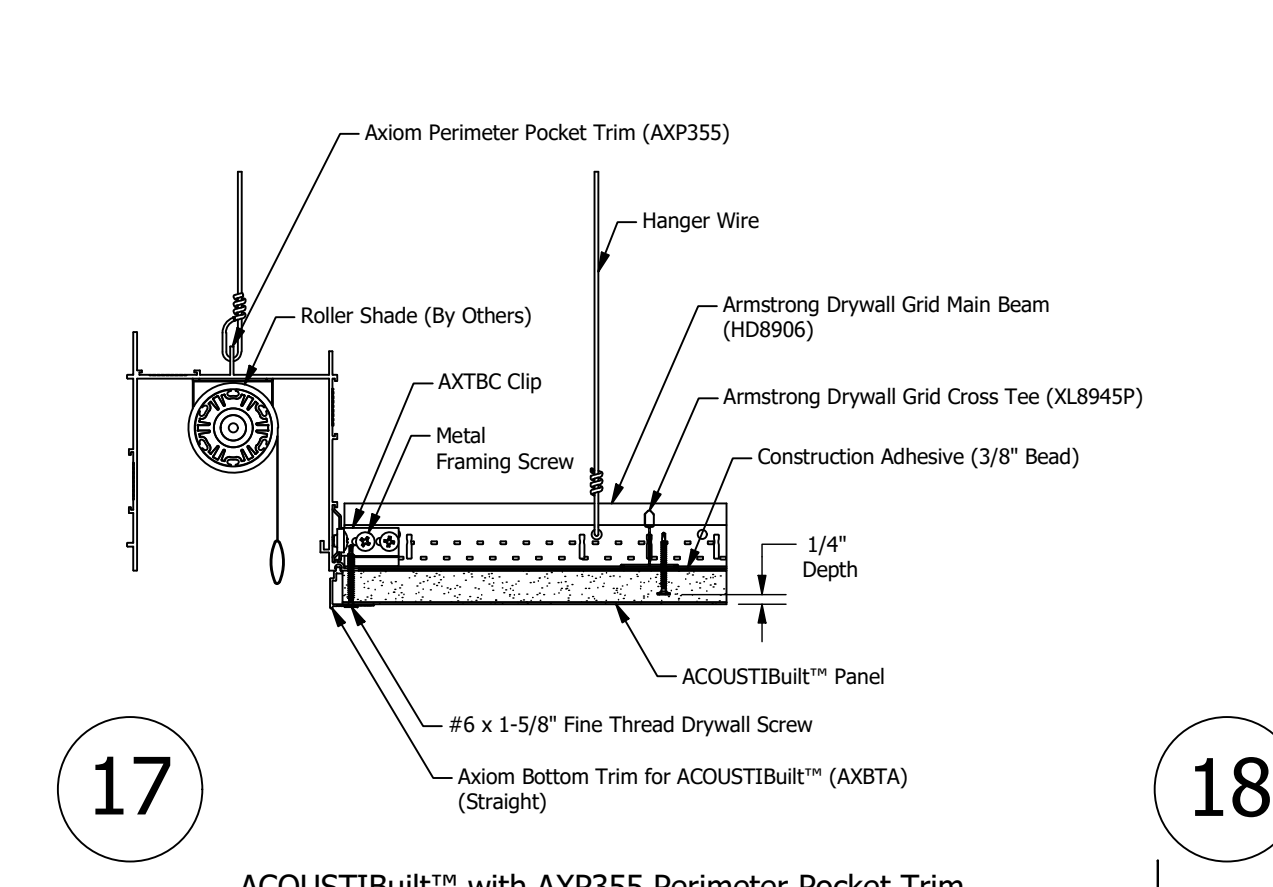


ACOUSTIBuilt™ with Axiom Angled Knife Edge Trim  
SCALE 1 : 3

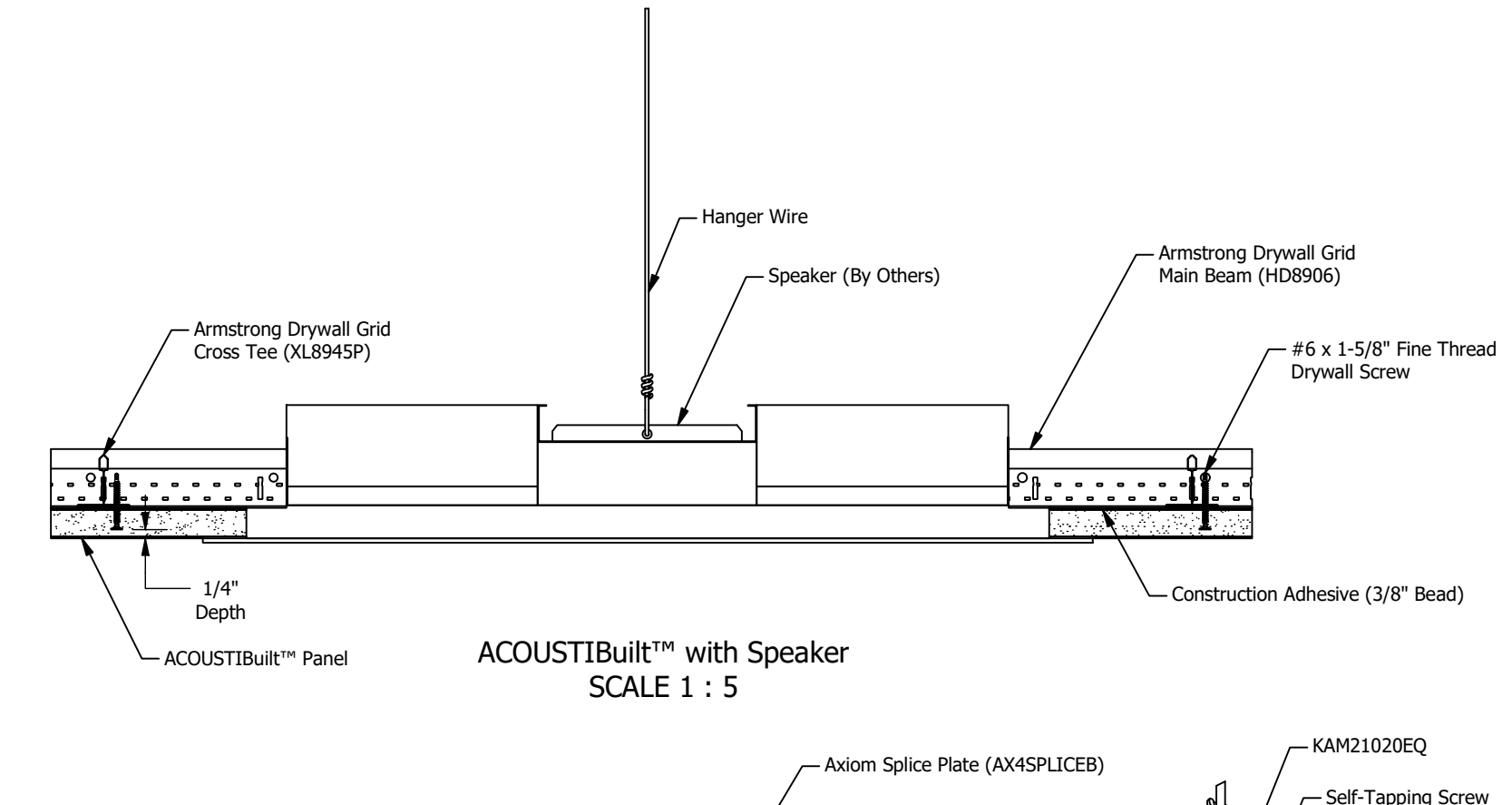


ACOUSTIBuilt™ with One Piece Axiom and Strongback  
SCALE 1 : 5

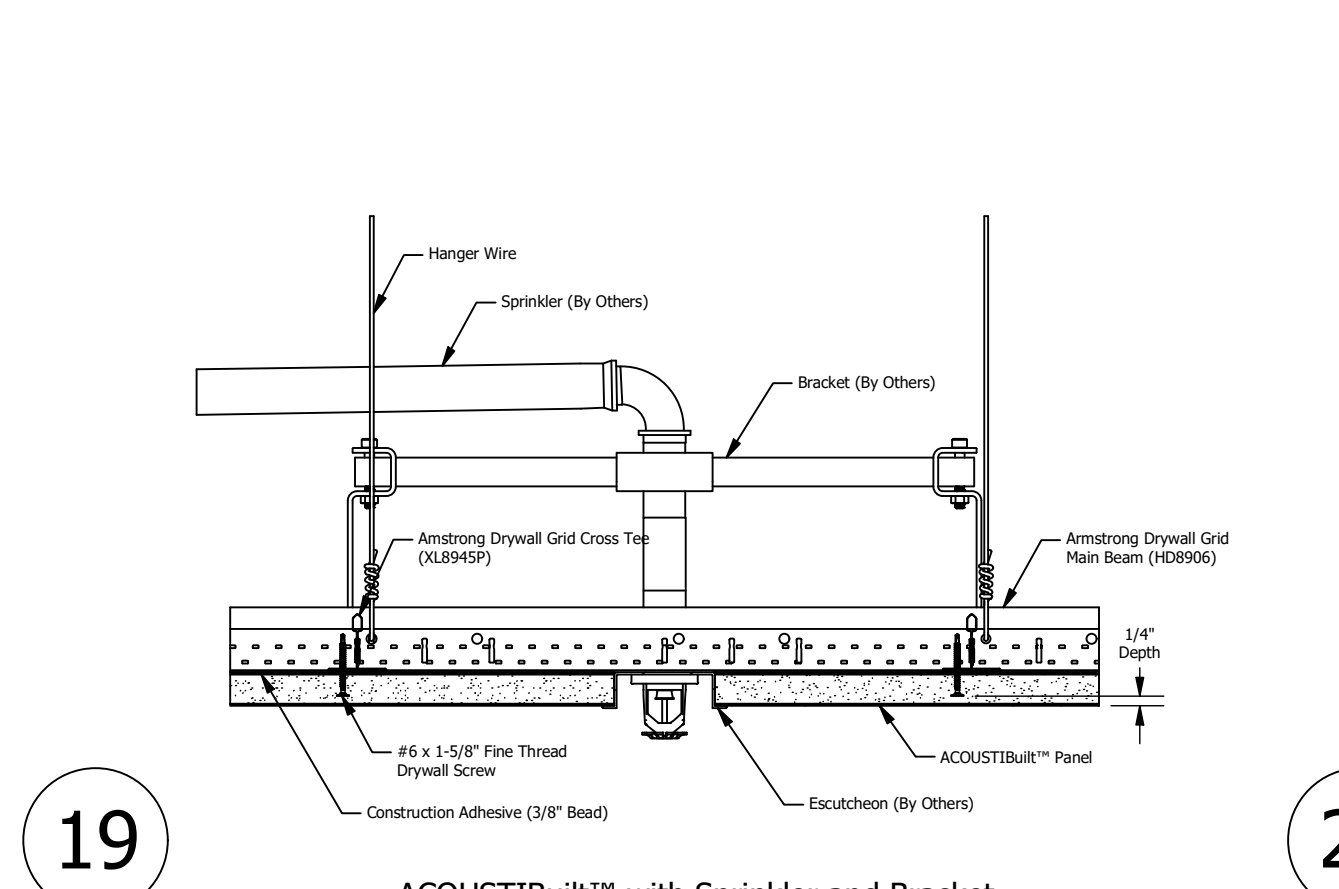
Axiom One Piece Straight Drywall Trim	
Item No.	Height
AX1PC2STR	2.5"
AX1PC4STR	4"
AX1PC6STR	6"



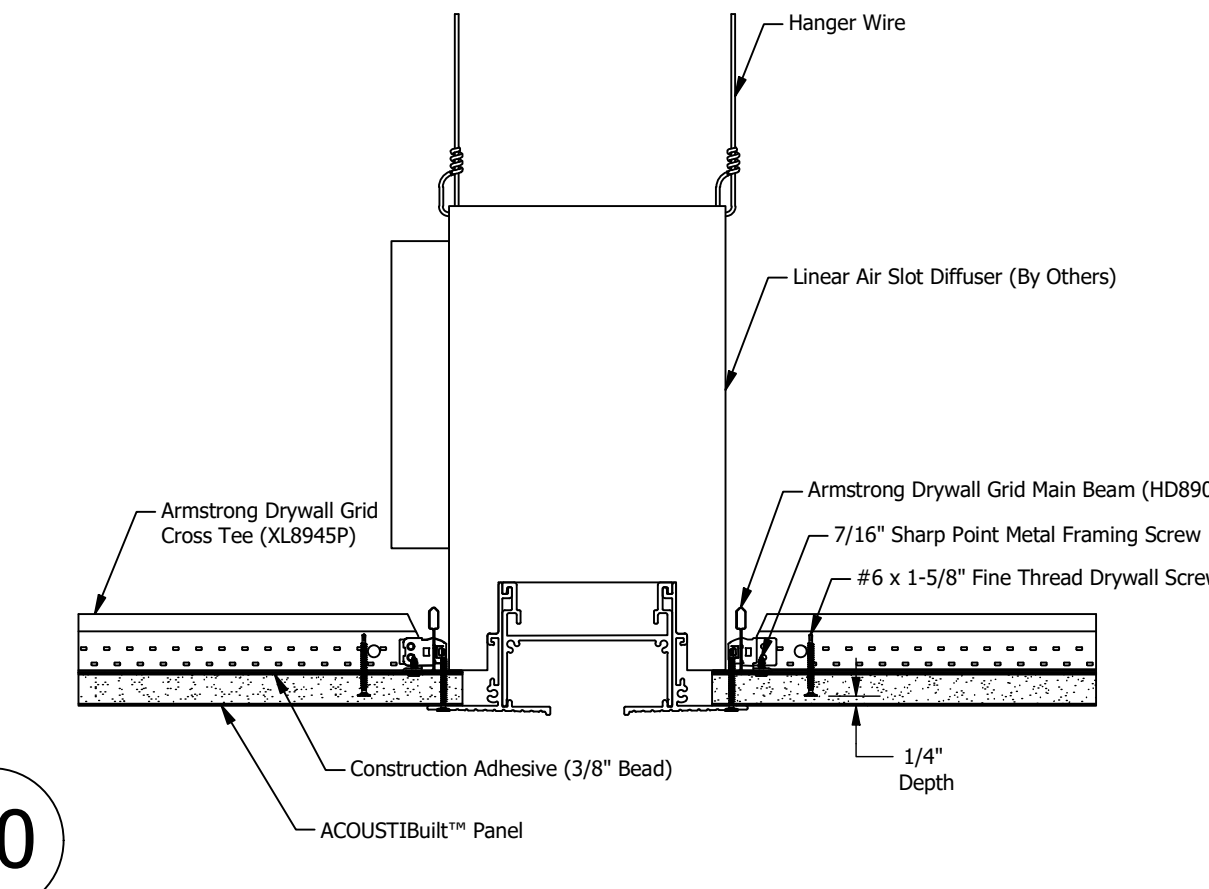
ACOUSTIBuilt™ with AXP355 Perimeter Pocket Trim  
SCALE 1 : 5



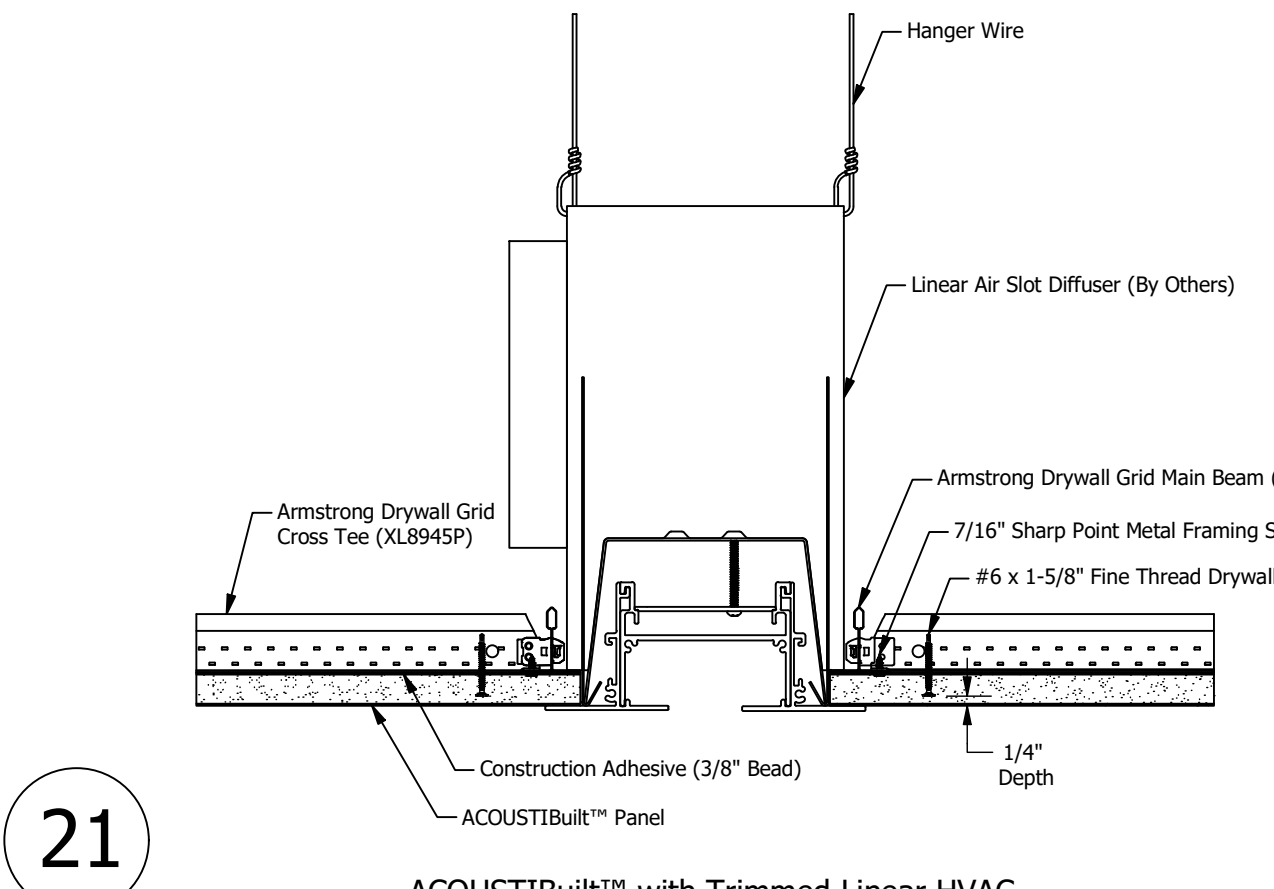
ACOUSTIBuilt™ with Speaker  
SCALE 1 : 5



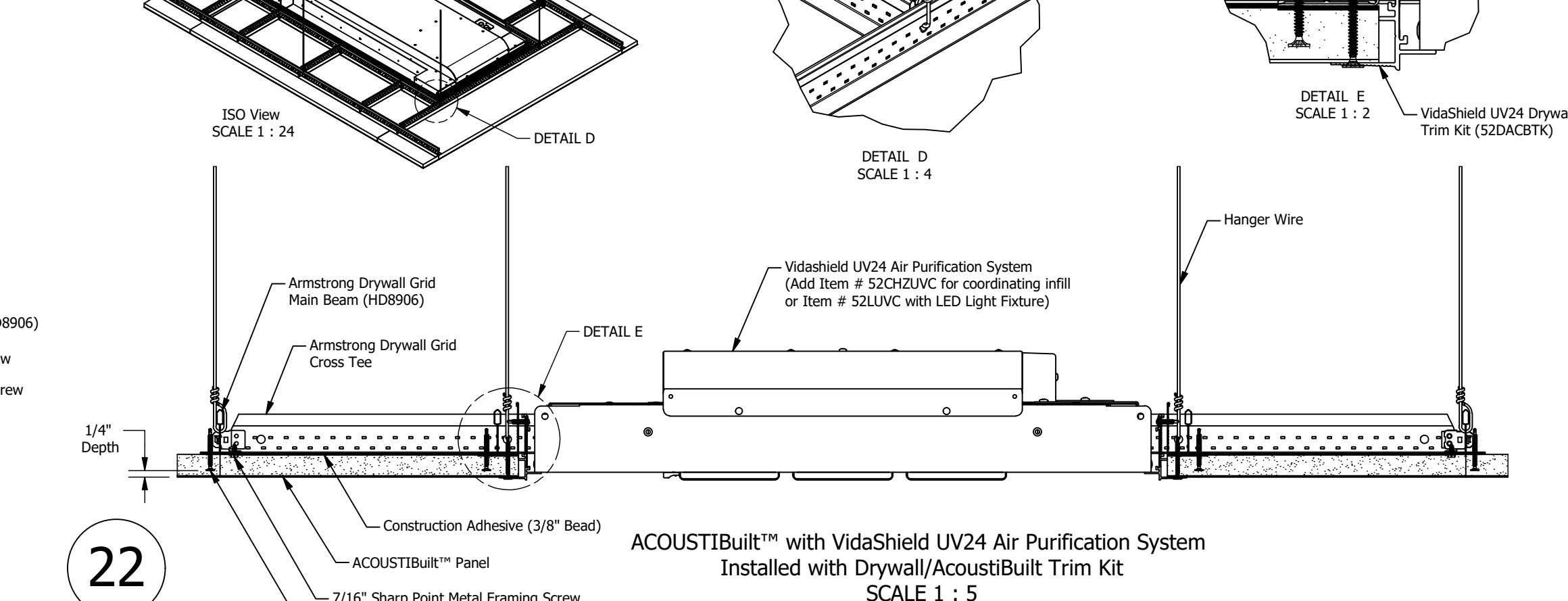
ACOUSTIBuilt™ with Sprinkler and Bracket  
SCALE 1 : 5



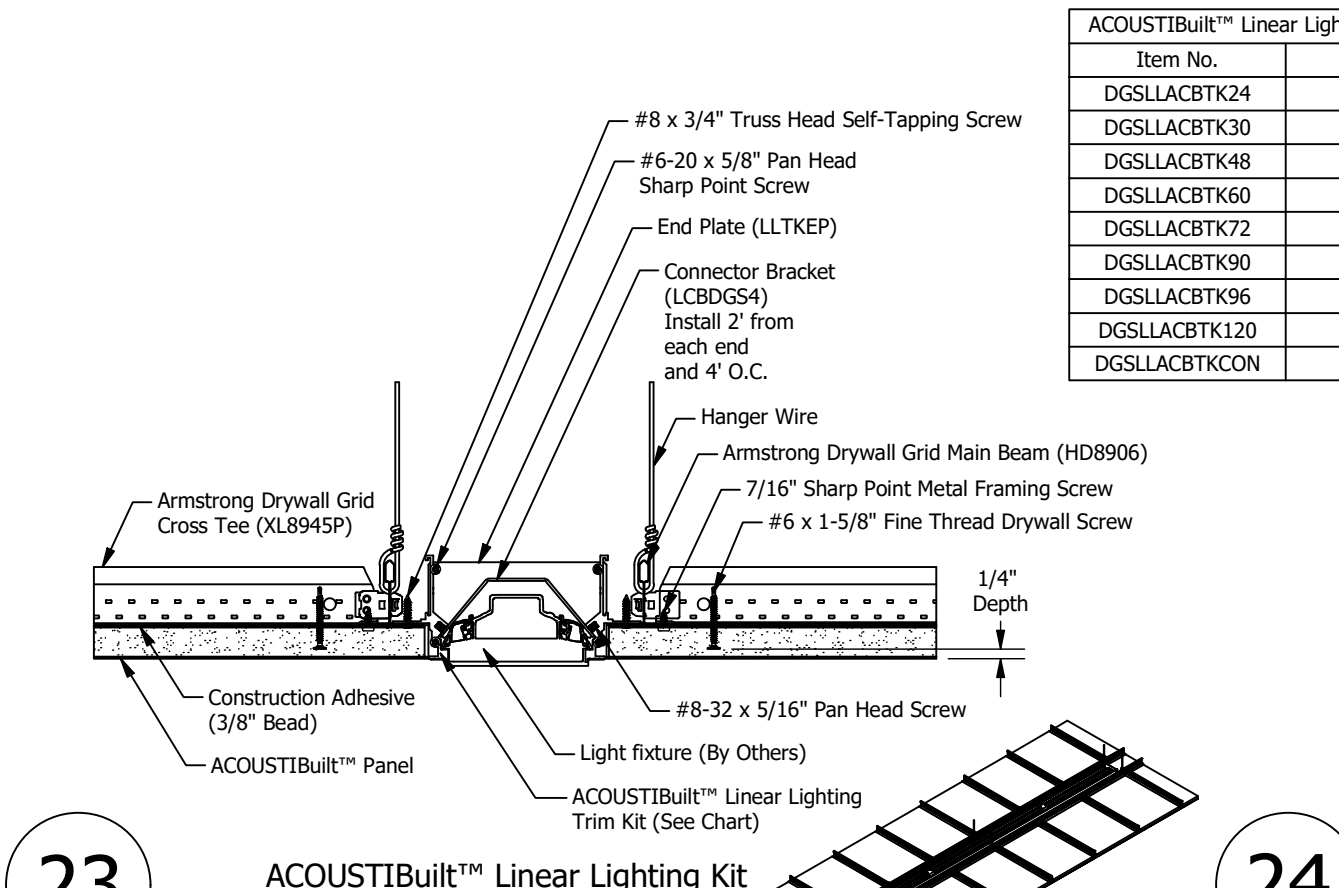
ACOUSTIBuilt™ with Trimless Linear HVAC  
SCALE 1 : 5



ACOUSTIBuilt™ with Trimmed Linear HVAC  
SCALE 1 : 5

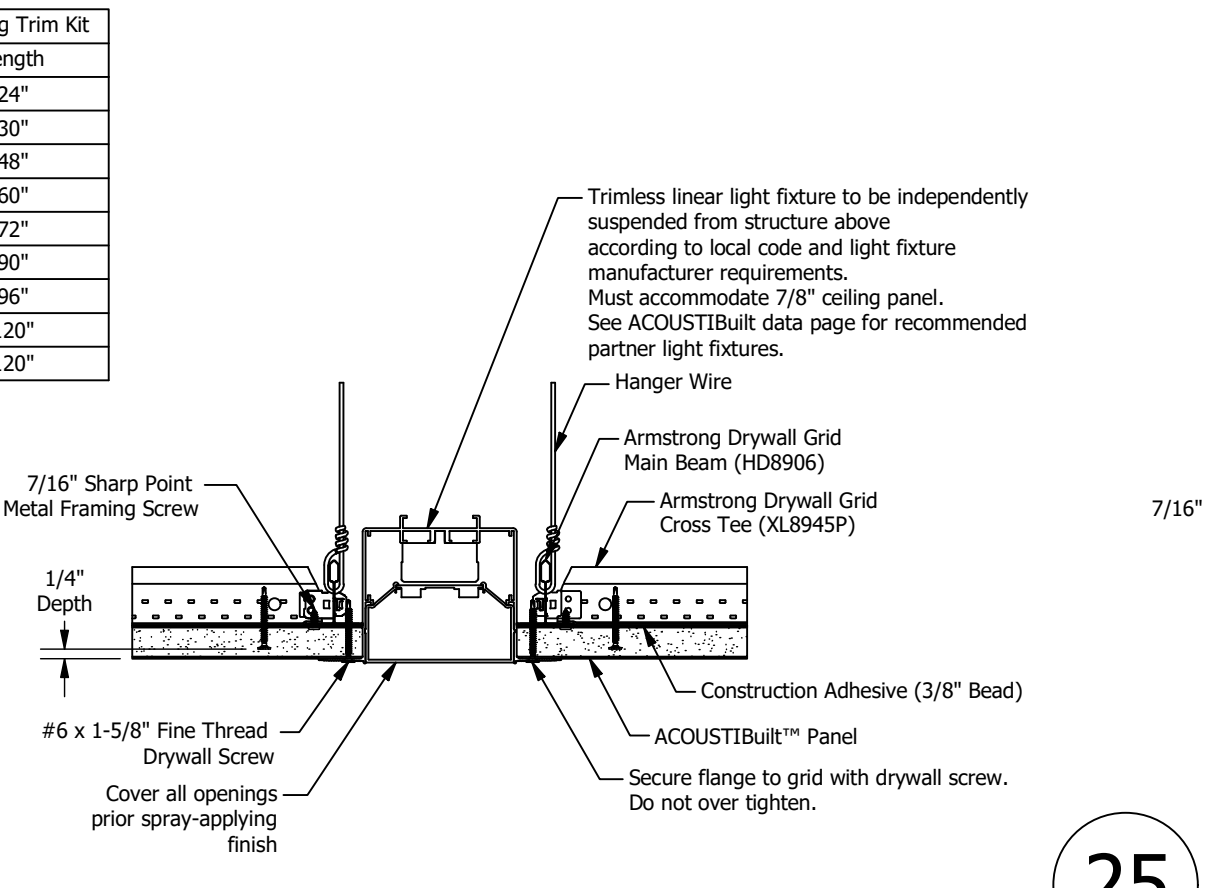


ACOUSTIBuilt™ with VidaShield UV24 Air Purification System  
Installed with Drywall/Acoustibuilt Trim Kit  
SCALE 1 : 5

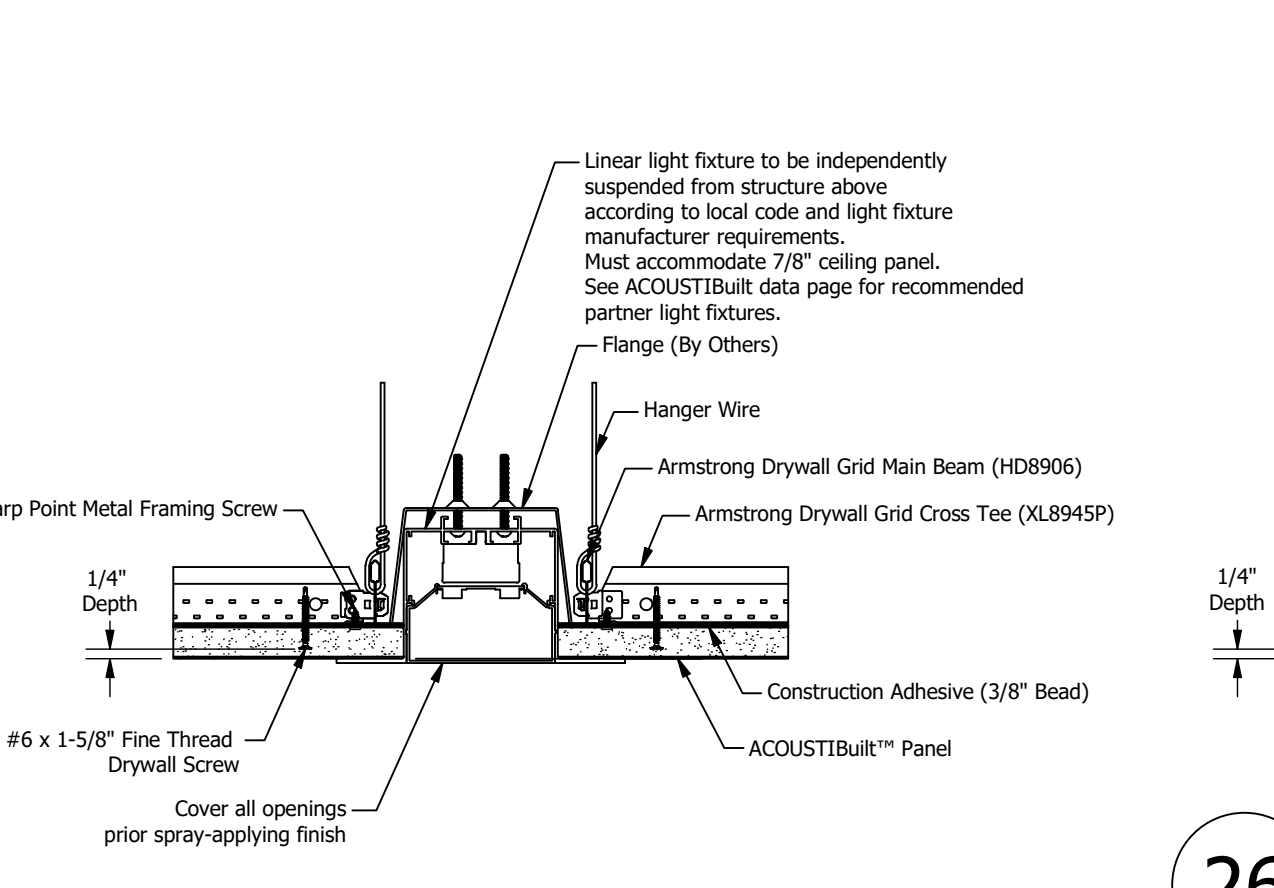


ACOUSTIBuilt™ Linear Lighting Kit  
SCALE 1 : 5

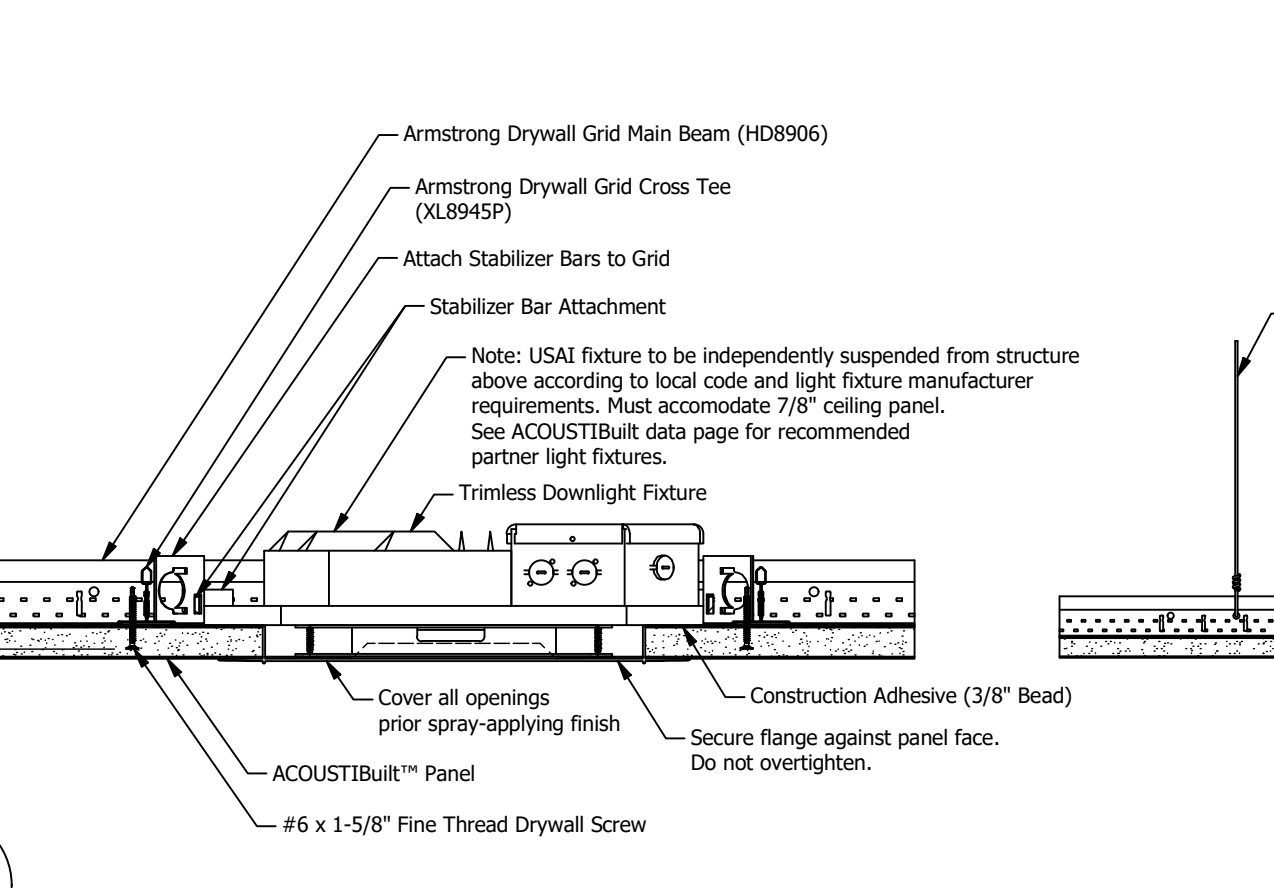
ACOUSTIBuilt™ Linear Lighting Trim Kit	
Item No.	Length
DGSLACBTX24	24"
DGSLACBTX30	30"
DGSLACBTX48	48"
DGSLACBTX60	60"
DGSLACBTX72	72"
DGSLACBTX90	90"
DGSLACBTX96	96"
DGSLACBTX120	120"
DGSLACBTXCON	120"



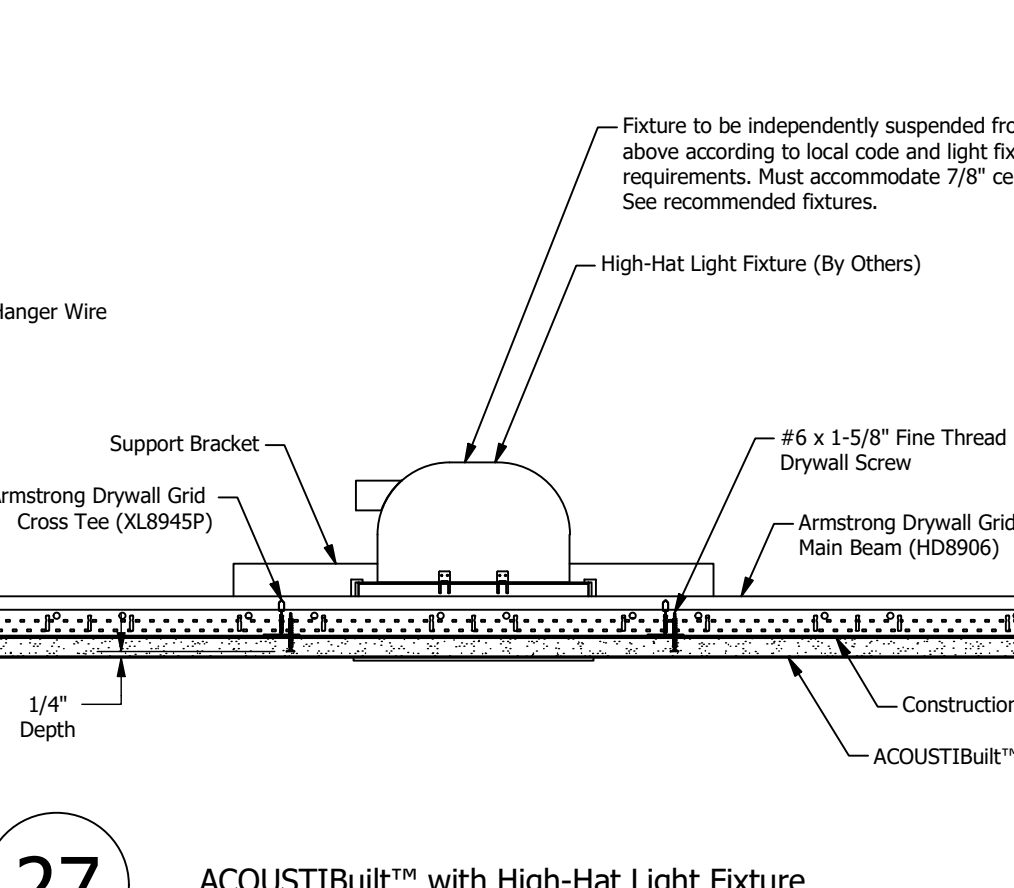
ACOUSTIBuilt™ with Trimless Linear Light Fixture  
SCALE 1 : 5



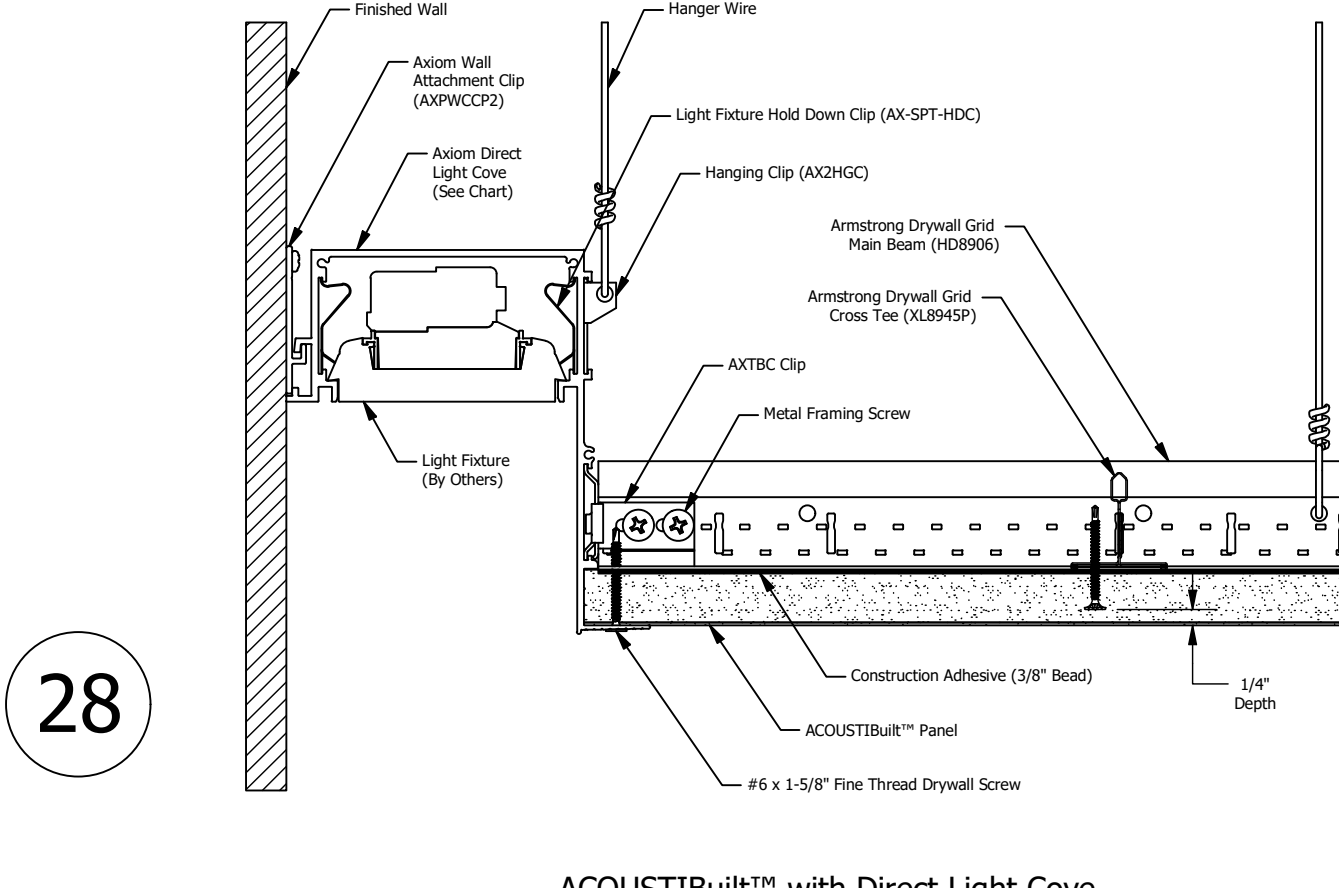
ACOUSTIBuilt™ with Trimmed Linear Light Fixture  
SCALE 1 : 5



ACOUSTIBuilt™ with Trimless Downlight Fixture  
SCALE 1 : 5



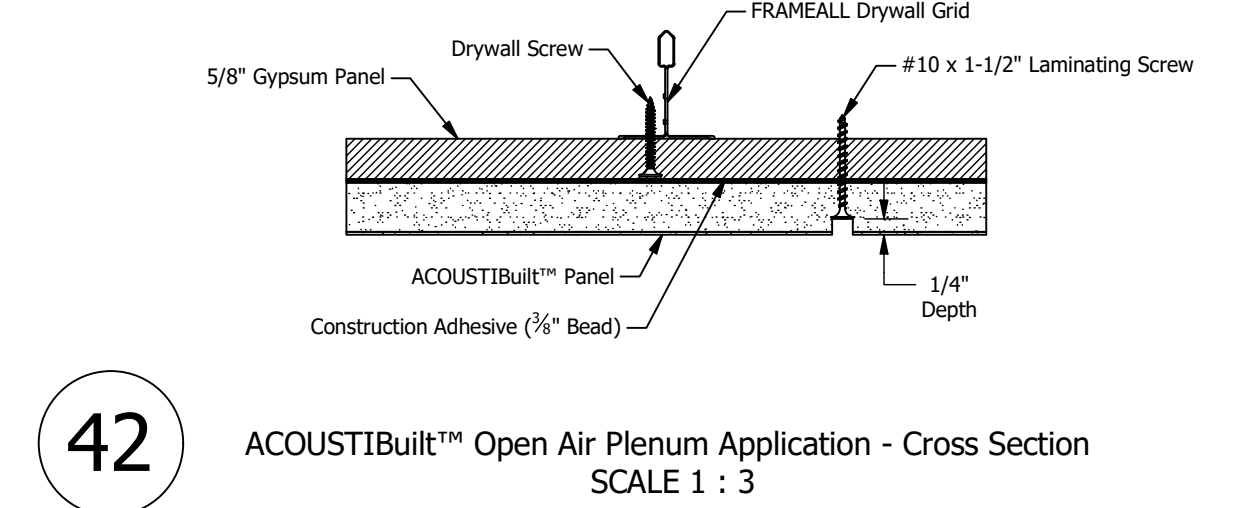
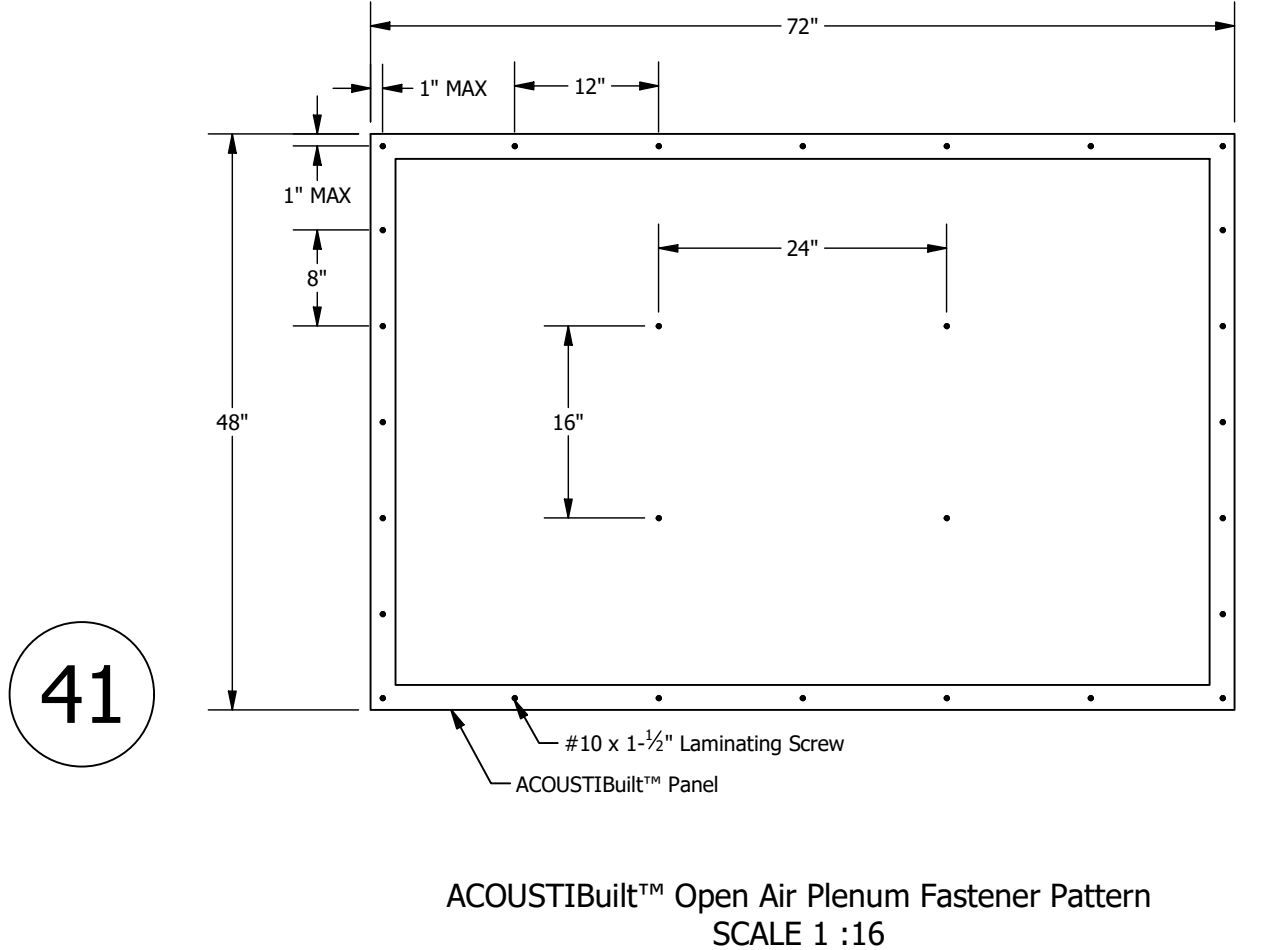
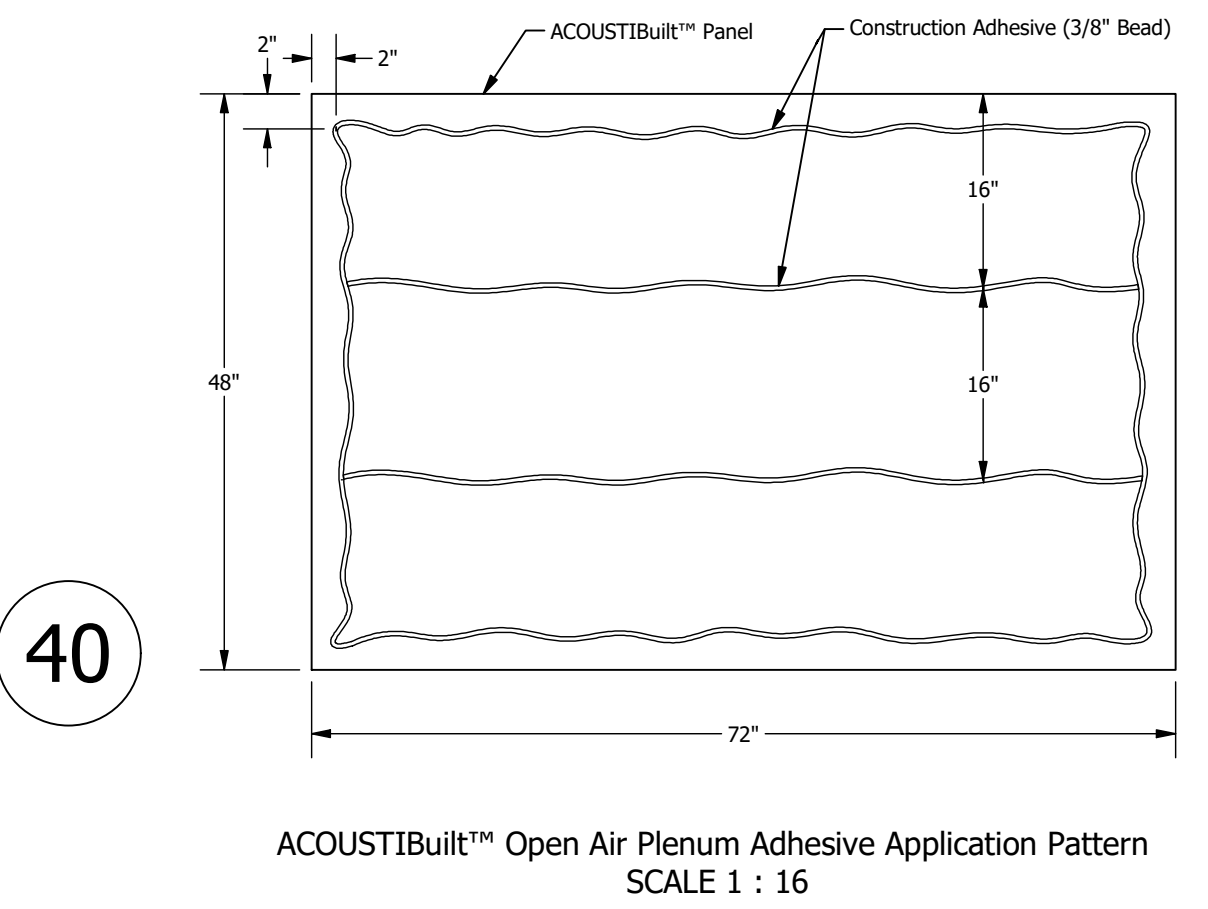
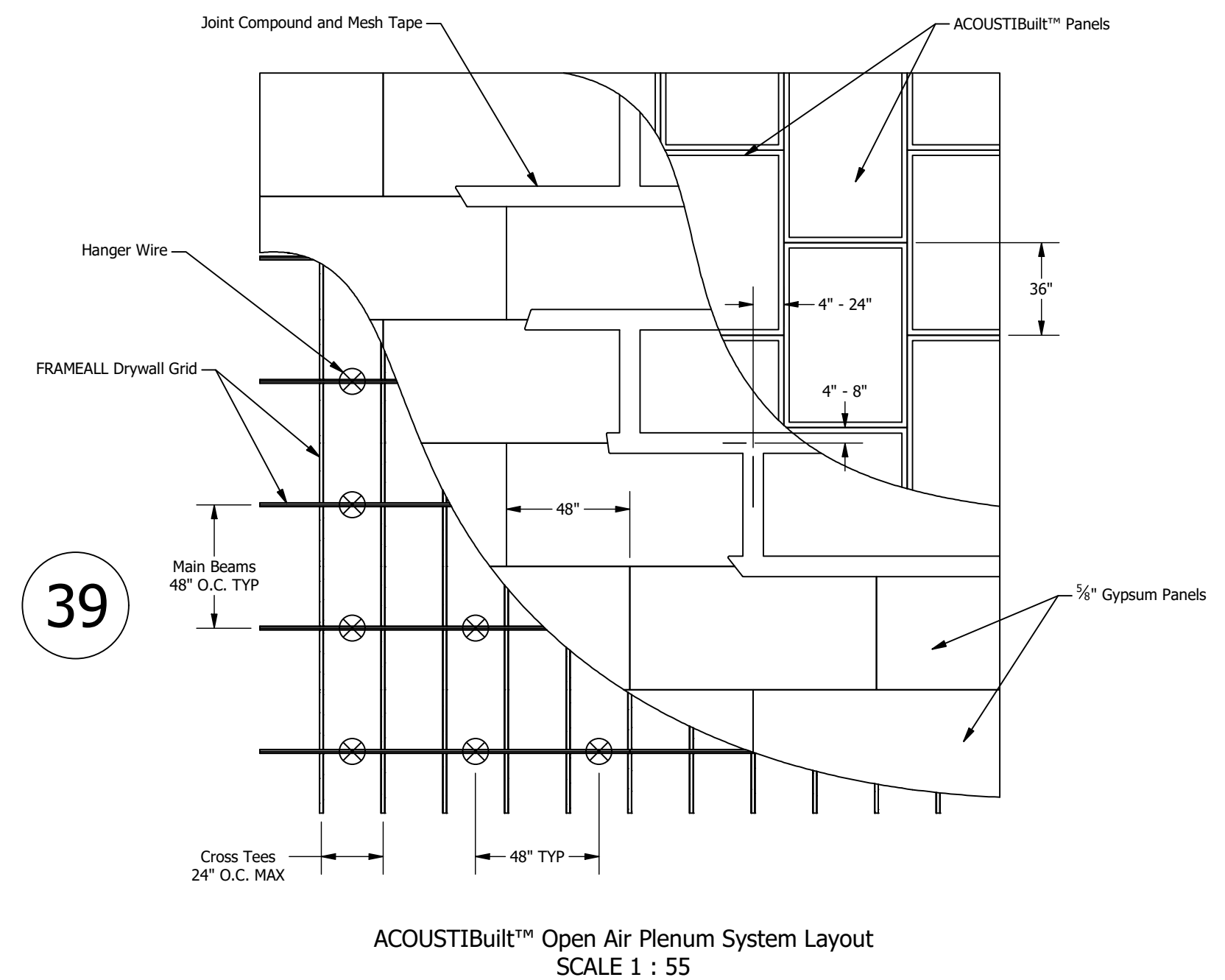
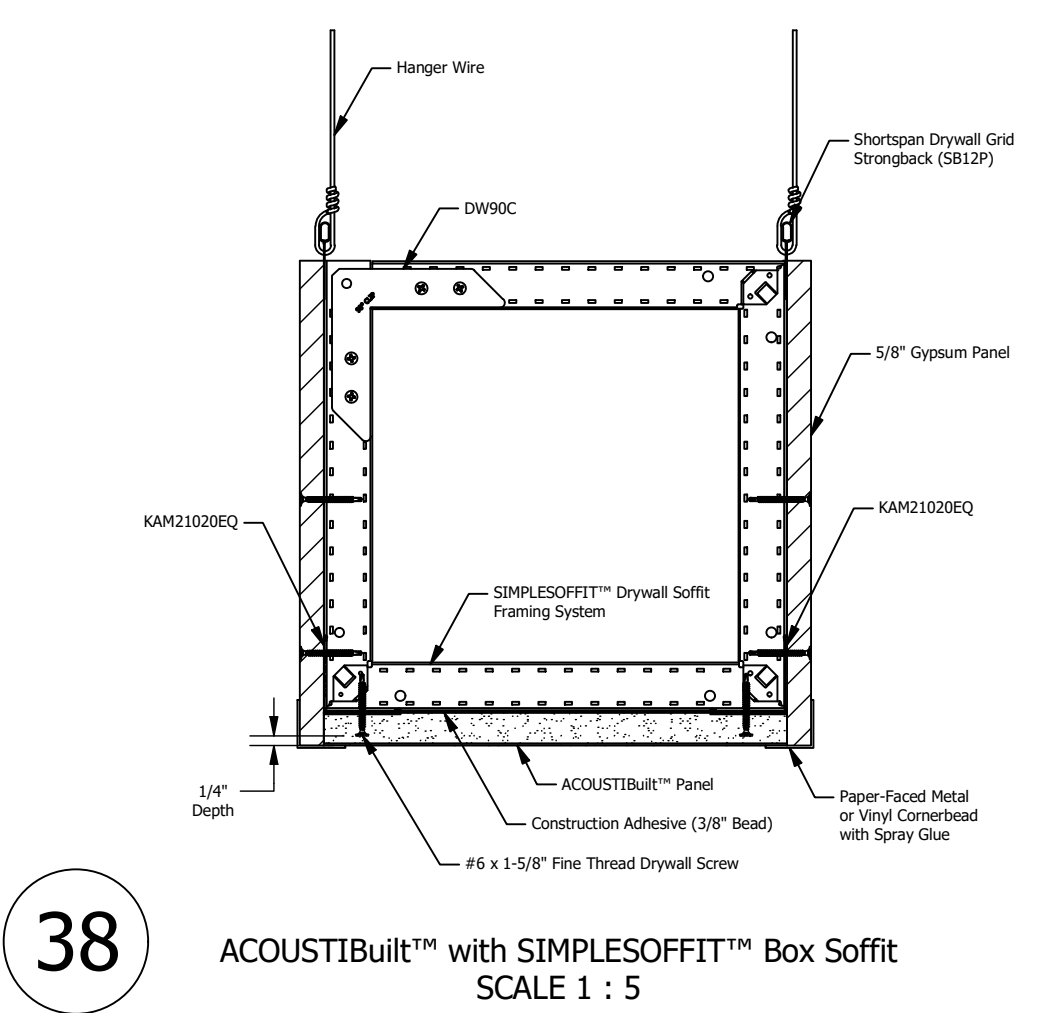
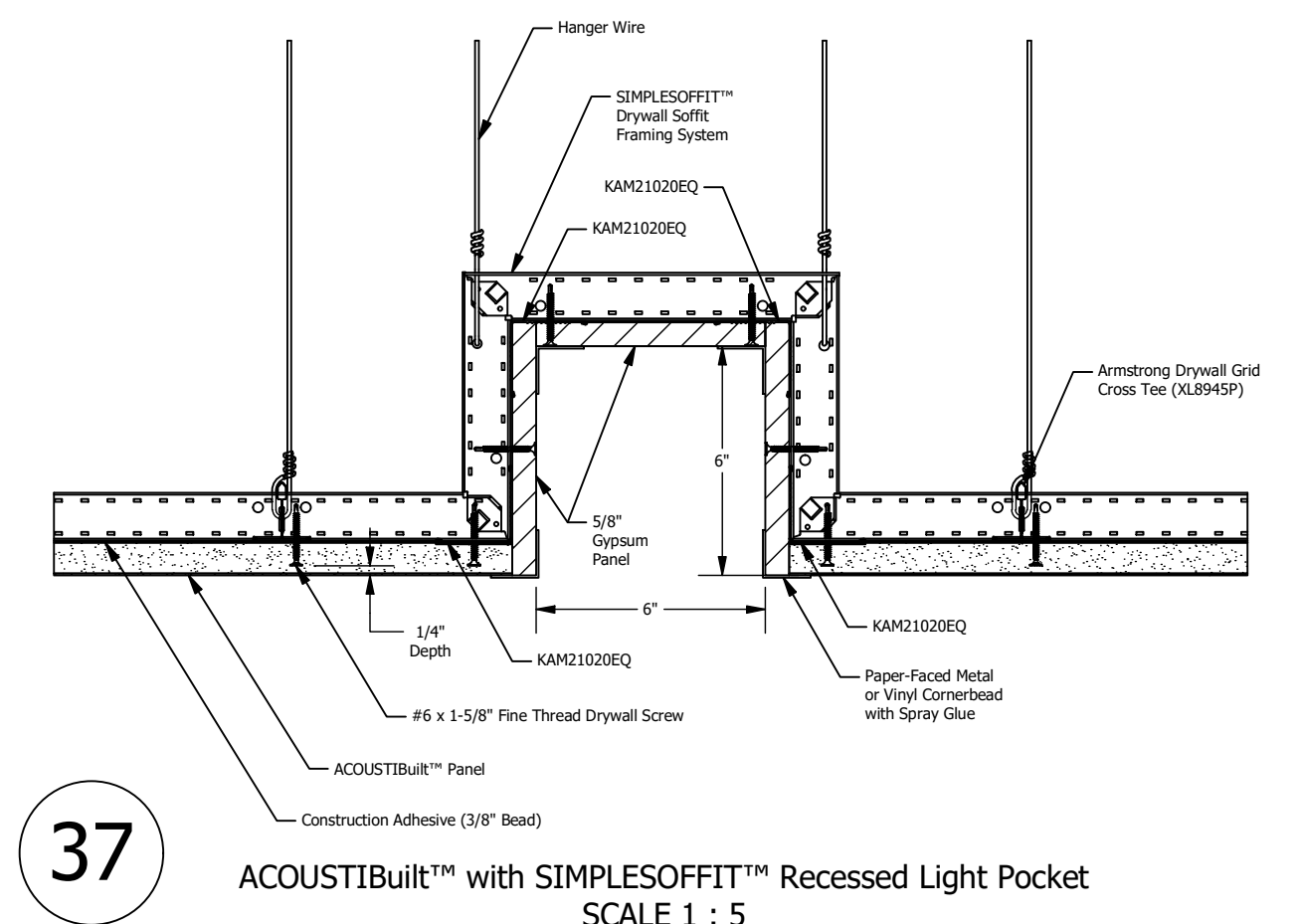
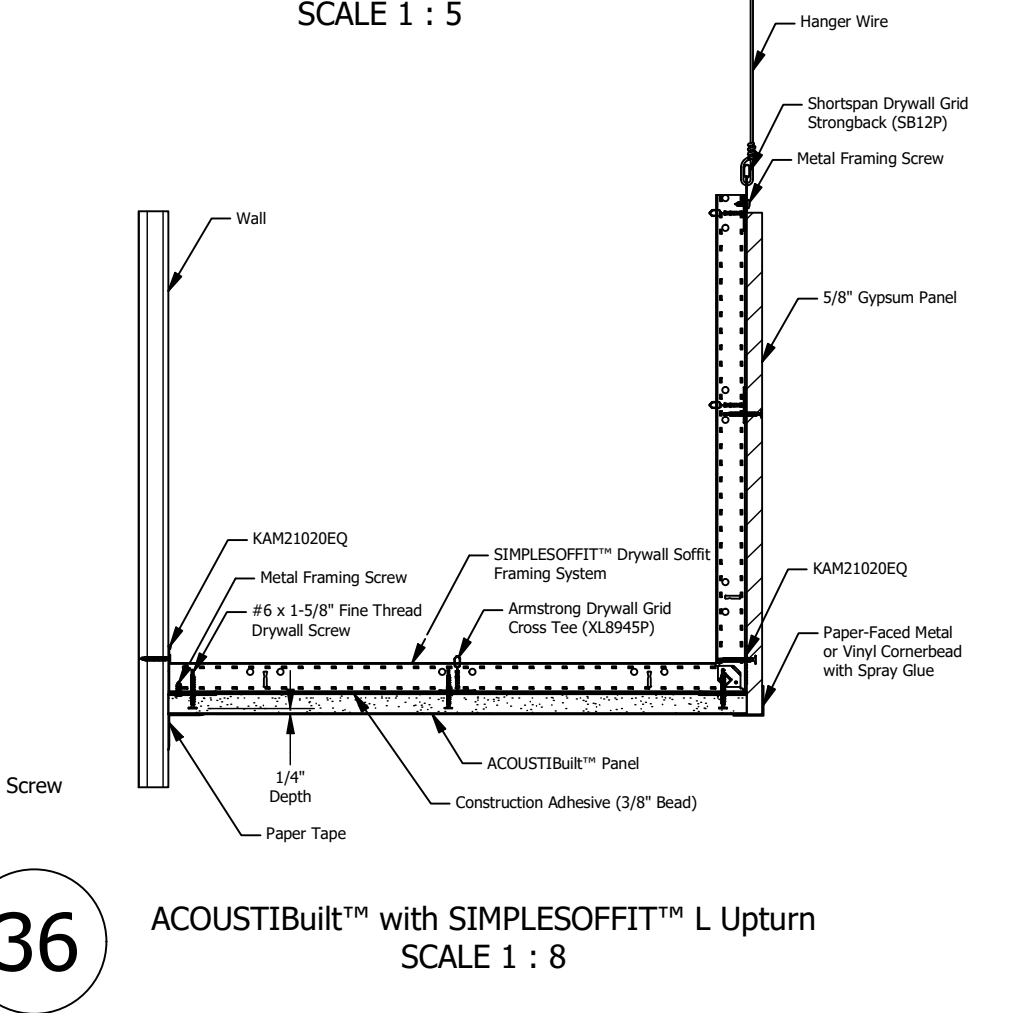
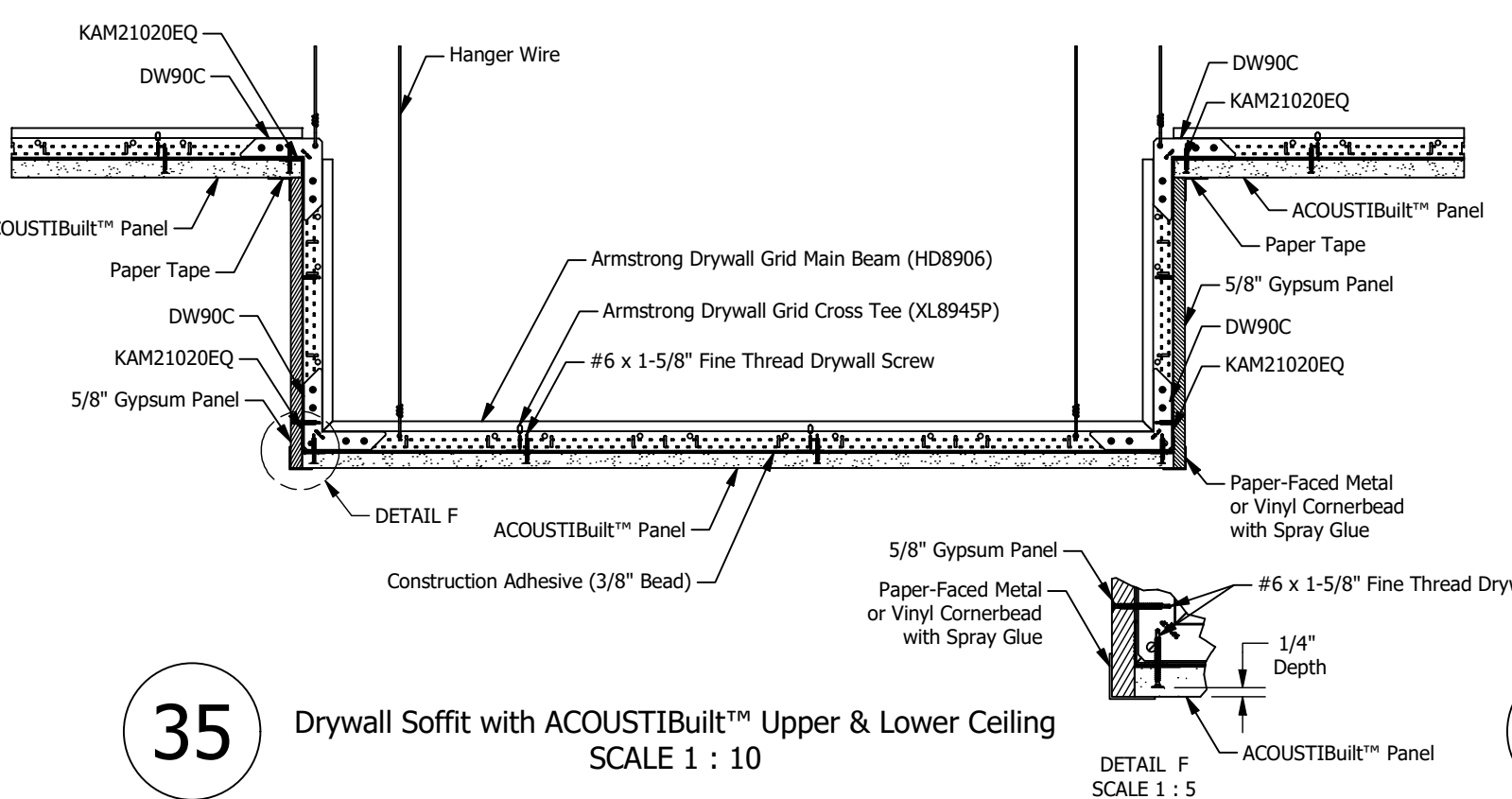
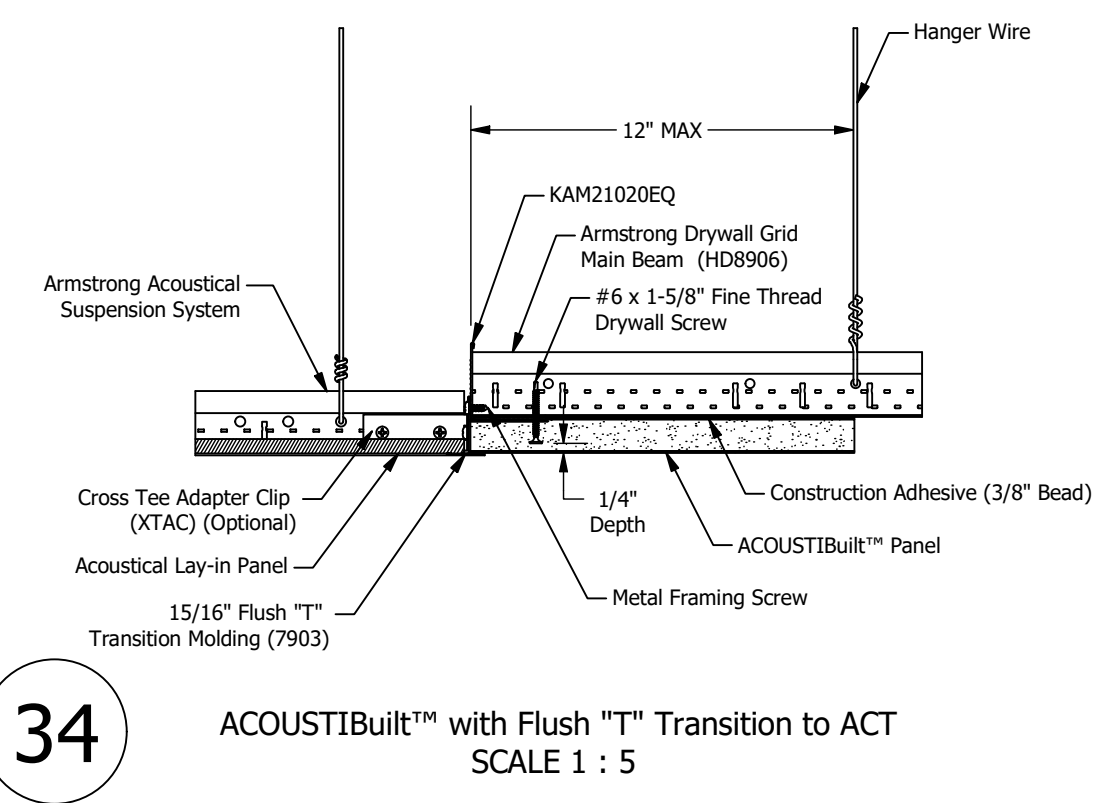
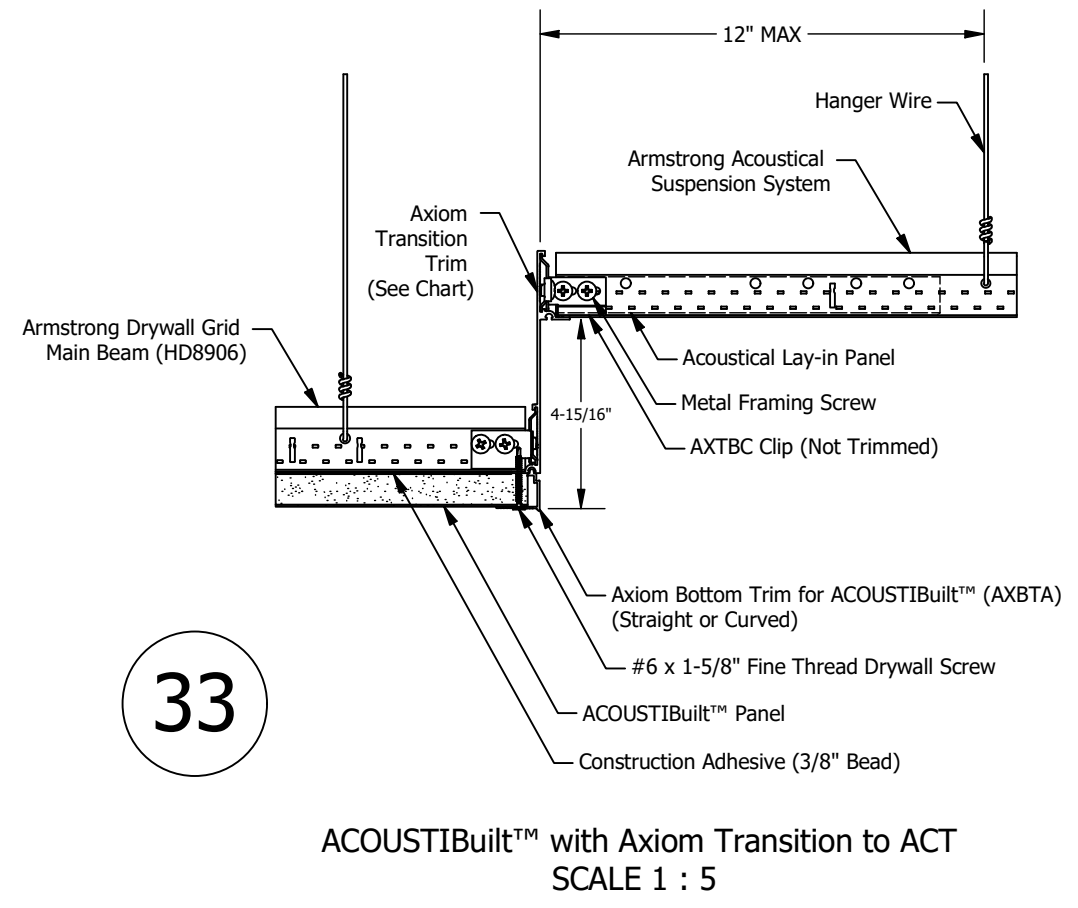
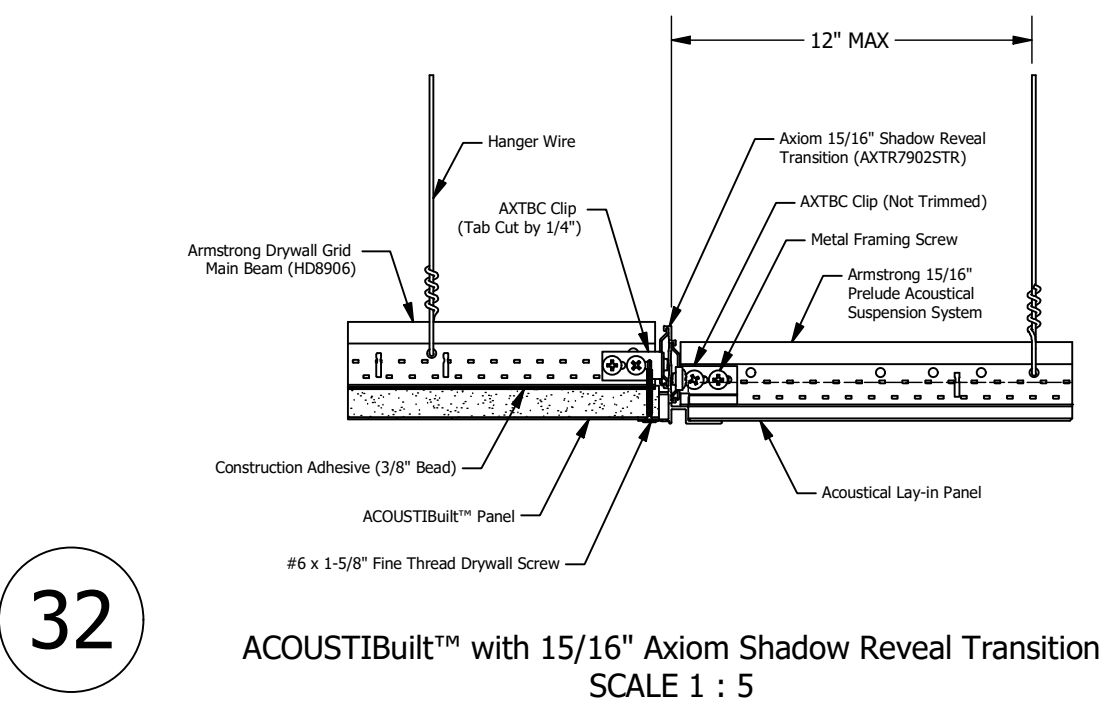
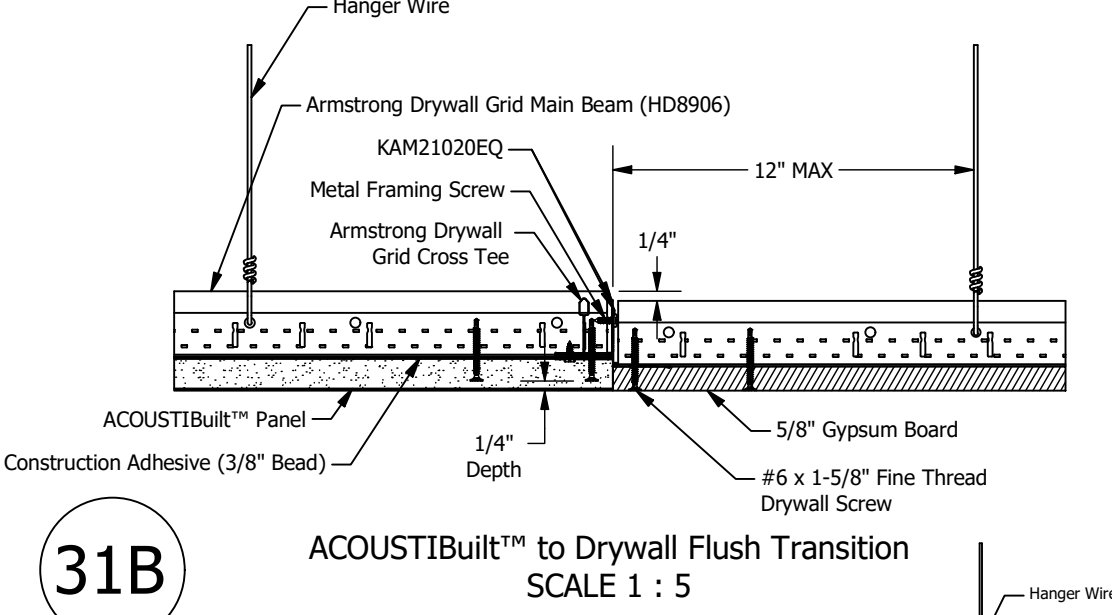
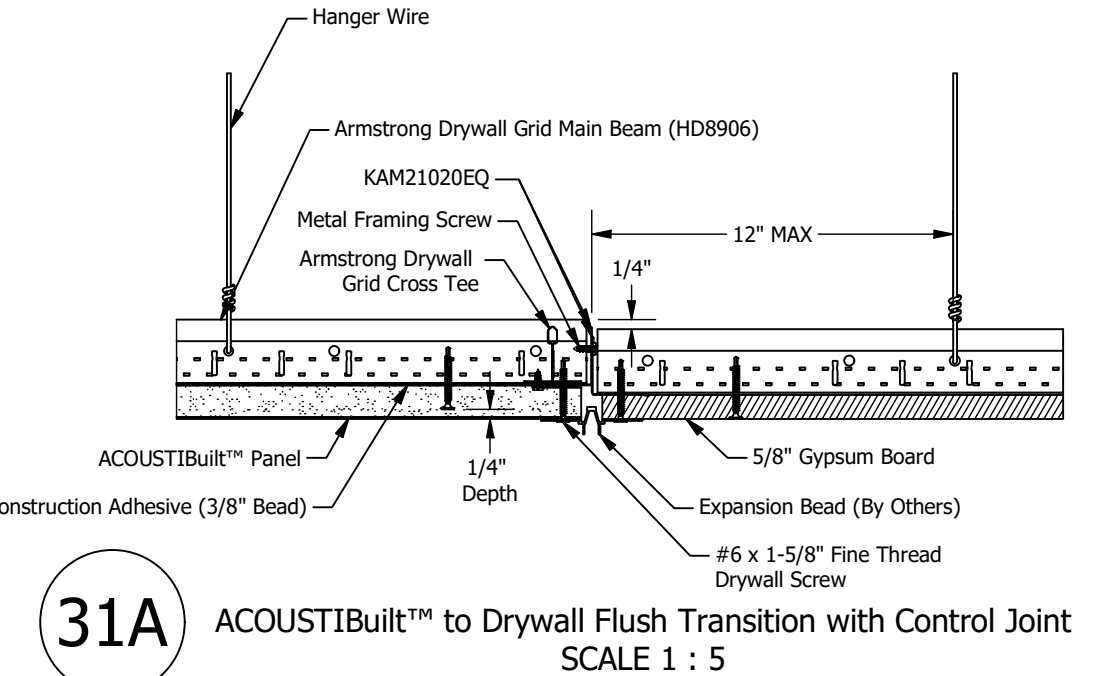
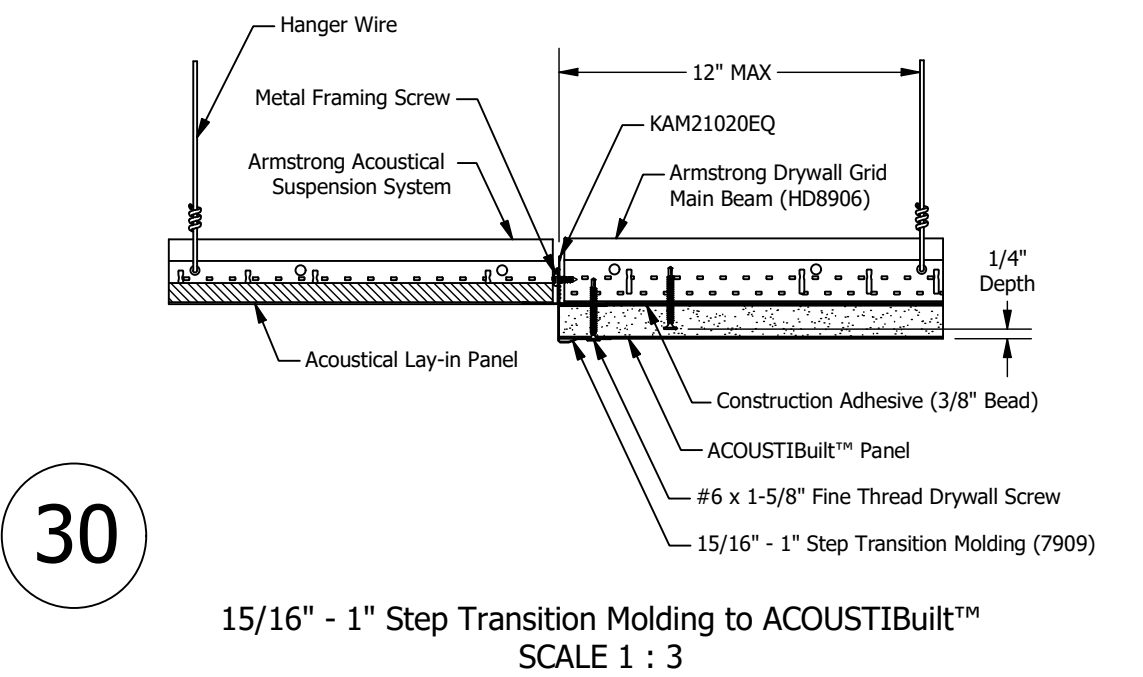
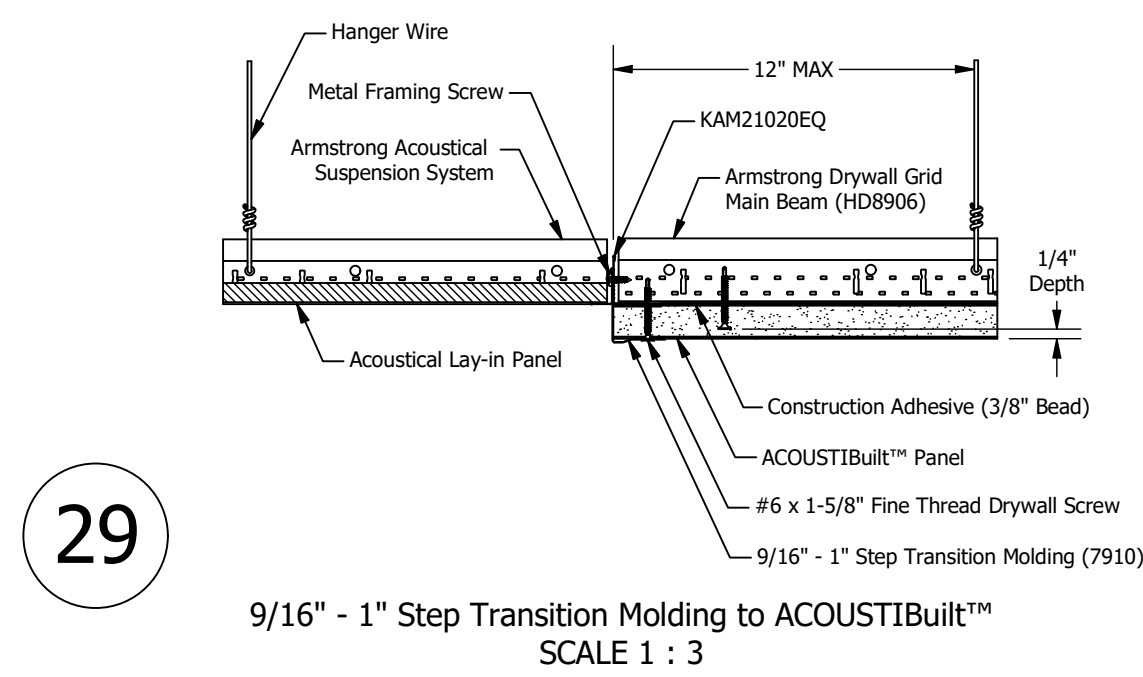
ACOUSTIBuilt™ with High-Hat Light Fixture  
SCALE 1 : 8

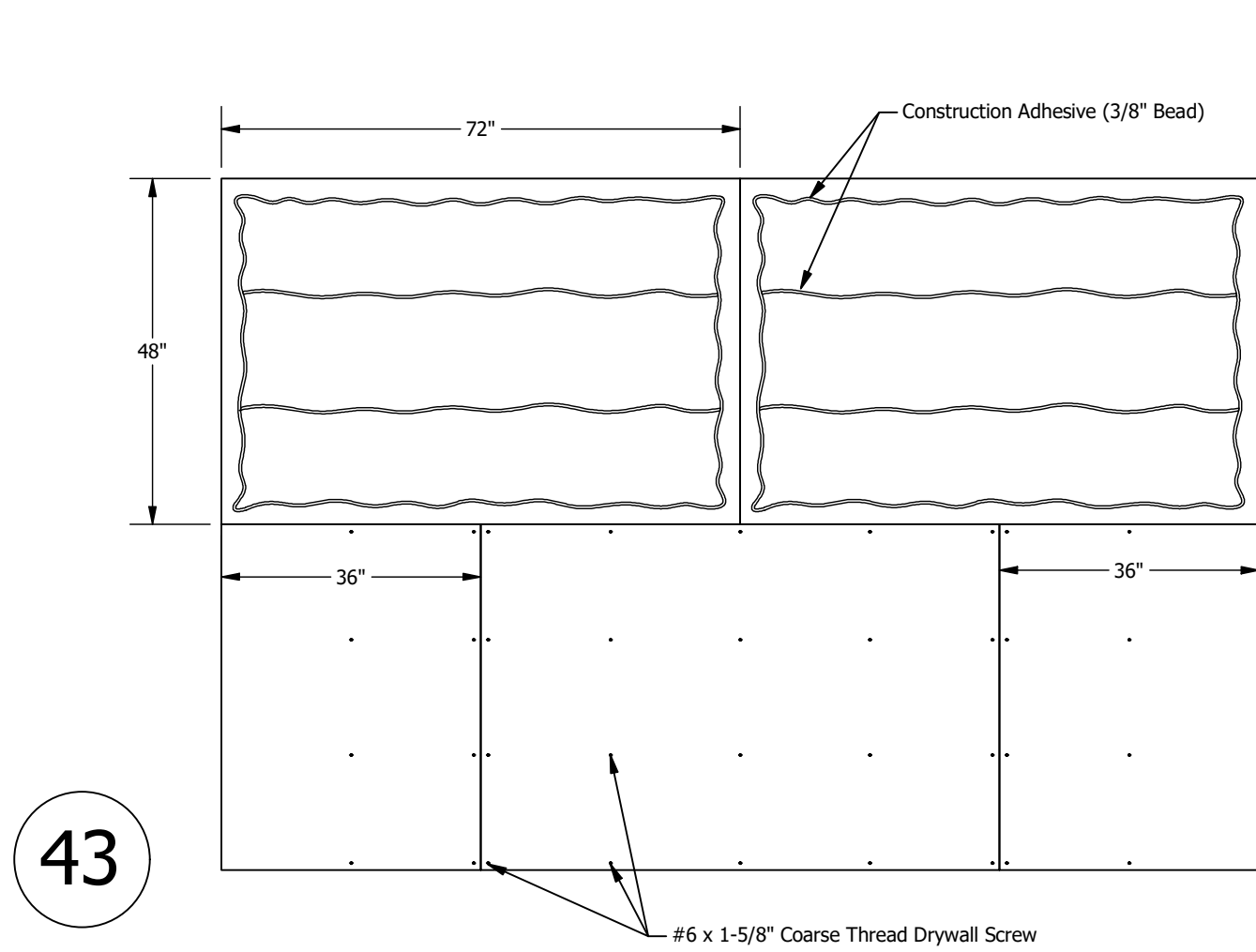


ACOUSTIBuilt™ with Direct Light Cove  
SCALE 1 : 3

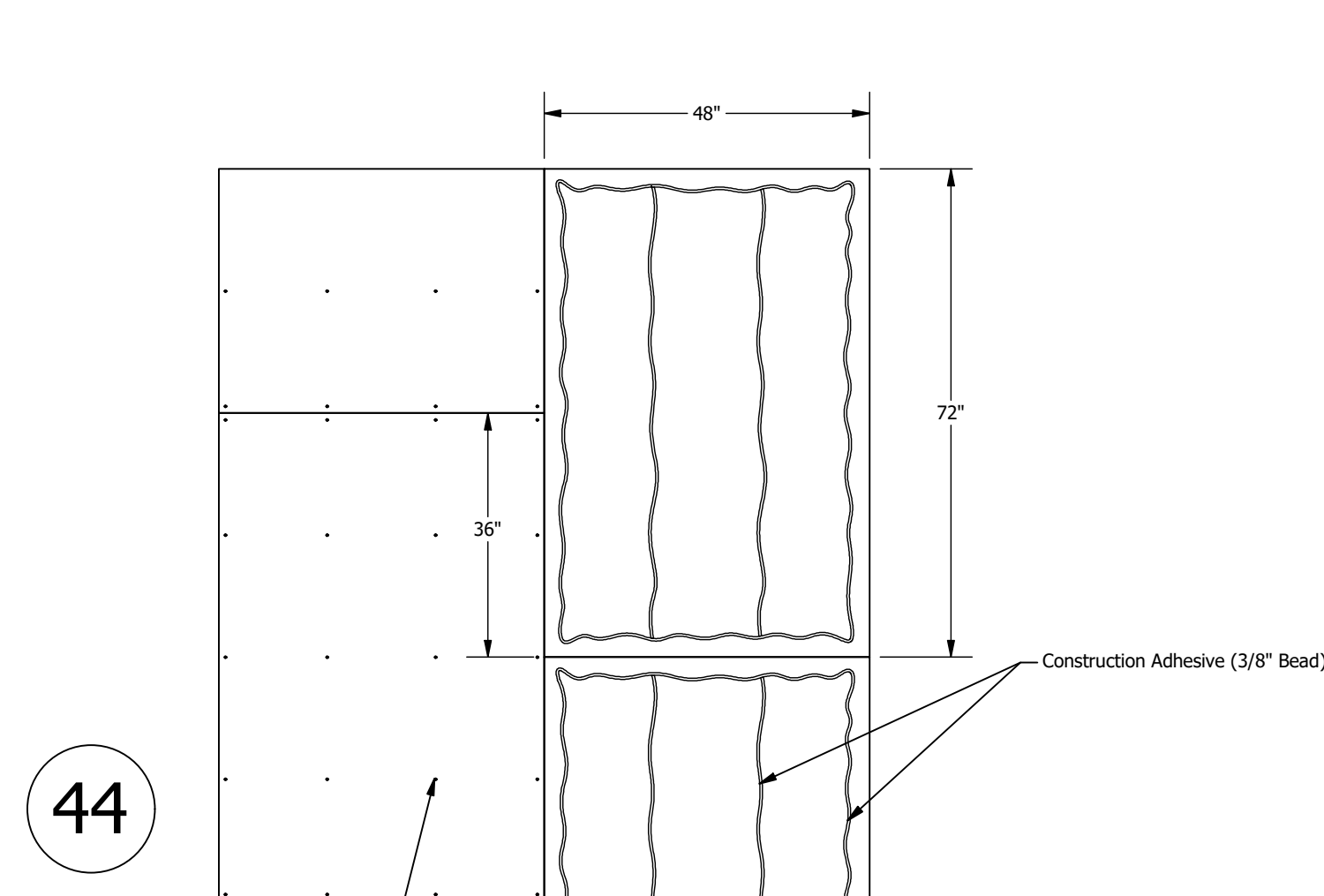
Axiom Direct Light Cove		
Item No.	Width	Height
AXDL44	4"	4"
AXDL46	4"	6"

Axiom Transition Trim	Item No.	Height
AXTR2STR		2"
AXTR4STR		4"
AXTR6STR		6"
AXTR8STR		8"
AXTR10STR		10"

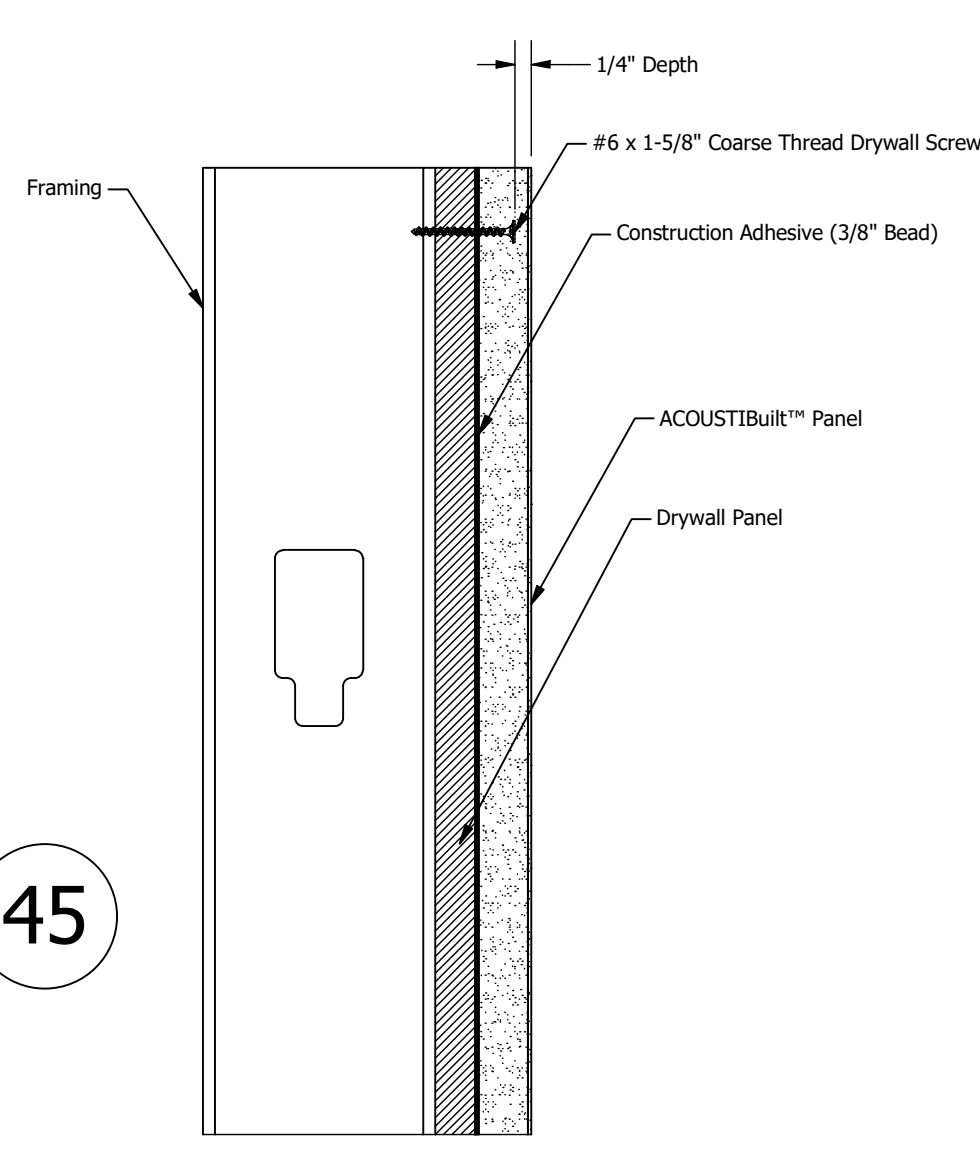




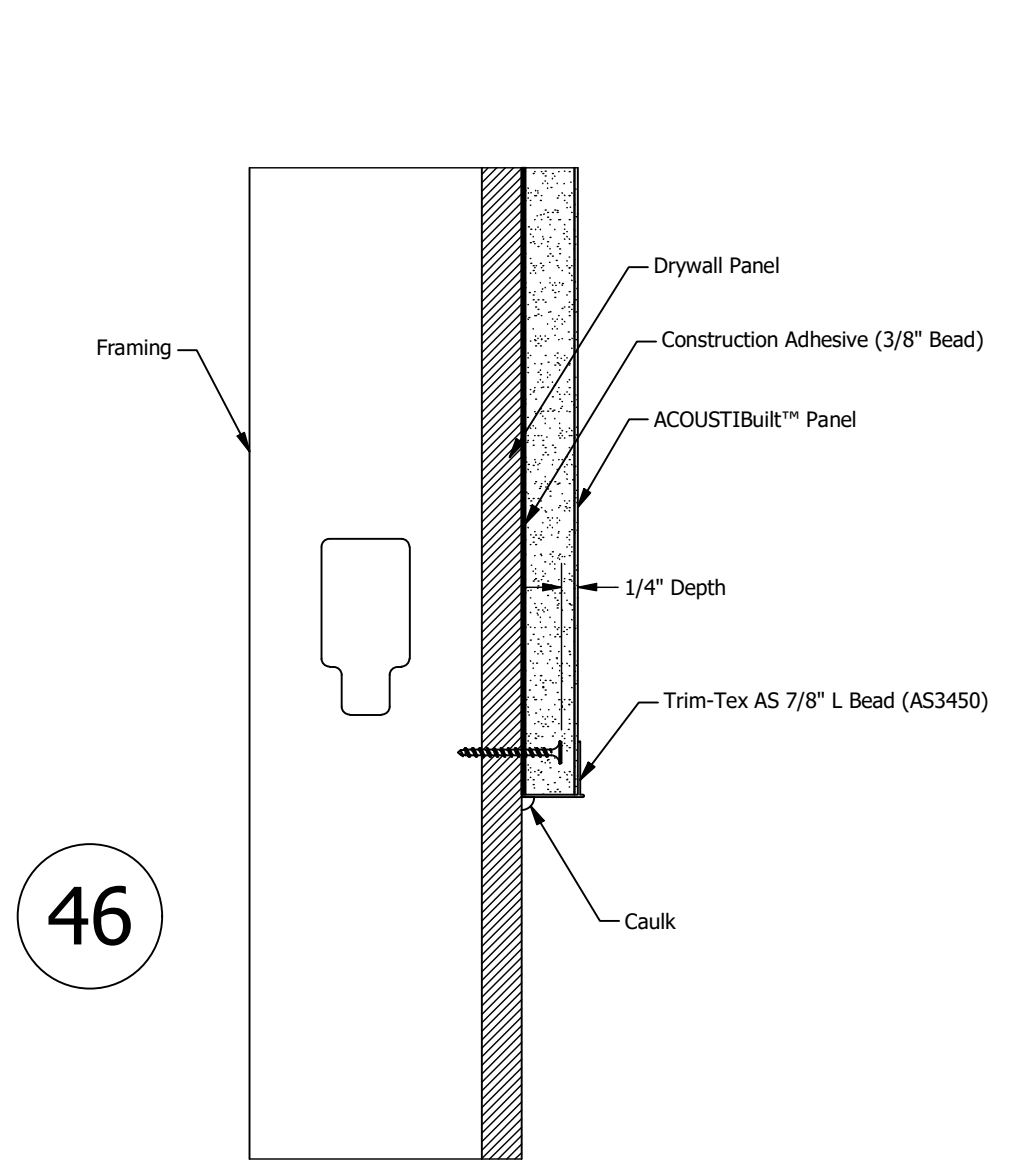
43 ACOUSTIBuilt™ Horizontal Wall Panel Layout  
SCALE 1 : 25



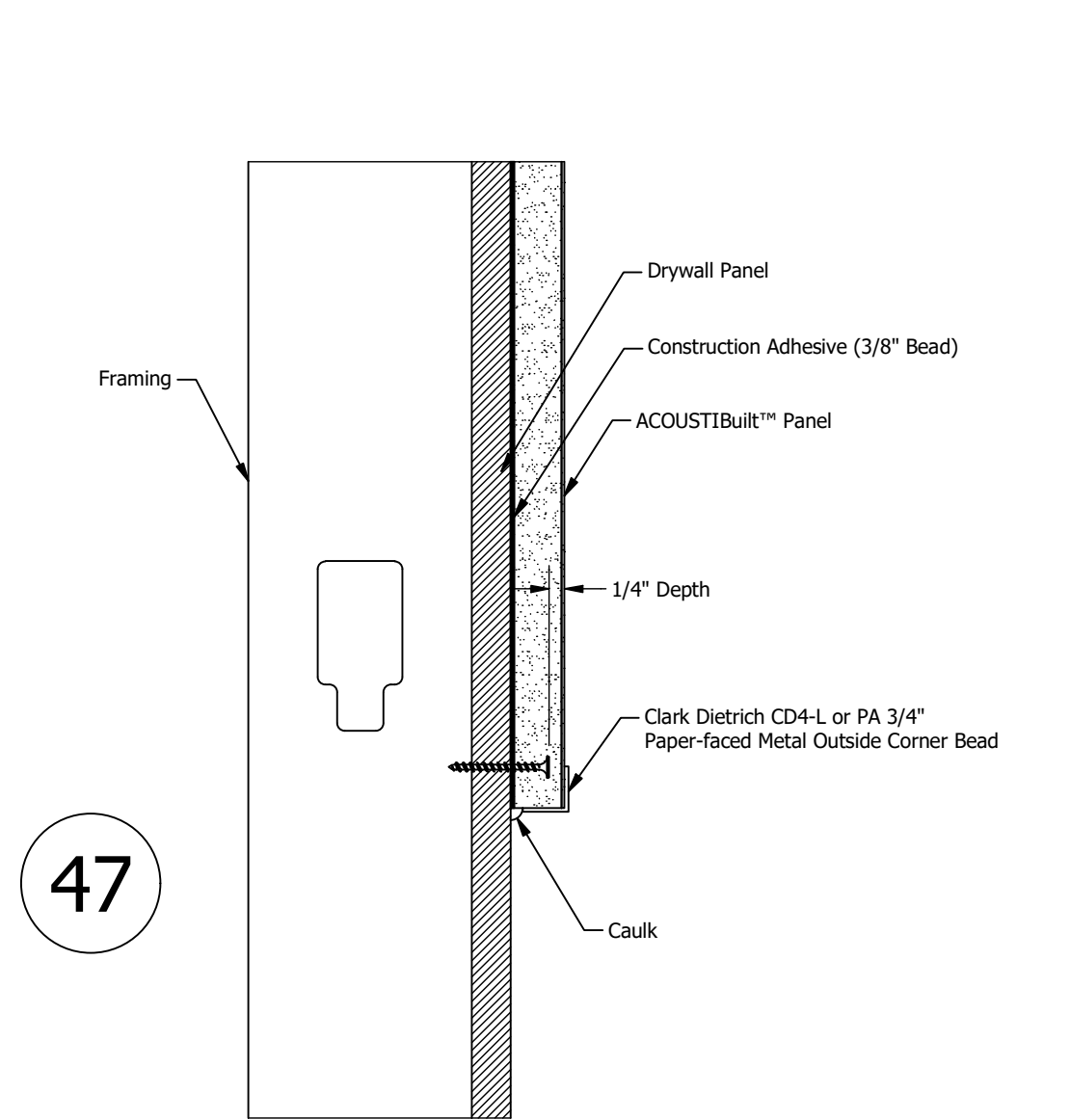
44 ACOUSTIBuilt™ Vertical Wall Panel Layout  
SCALE 1 : 25



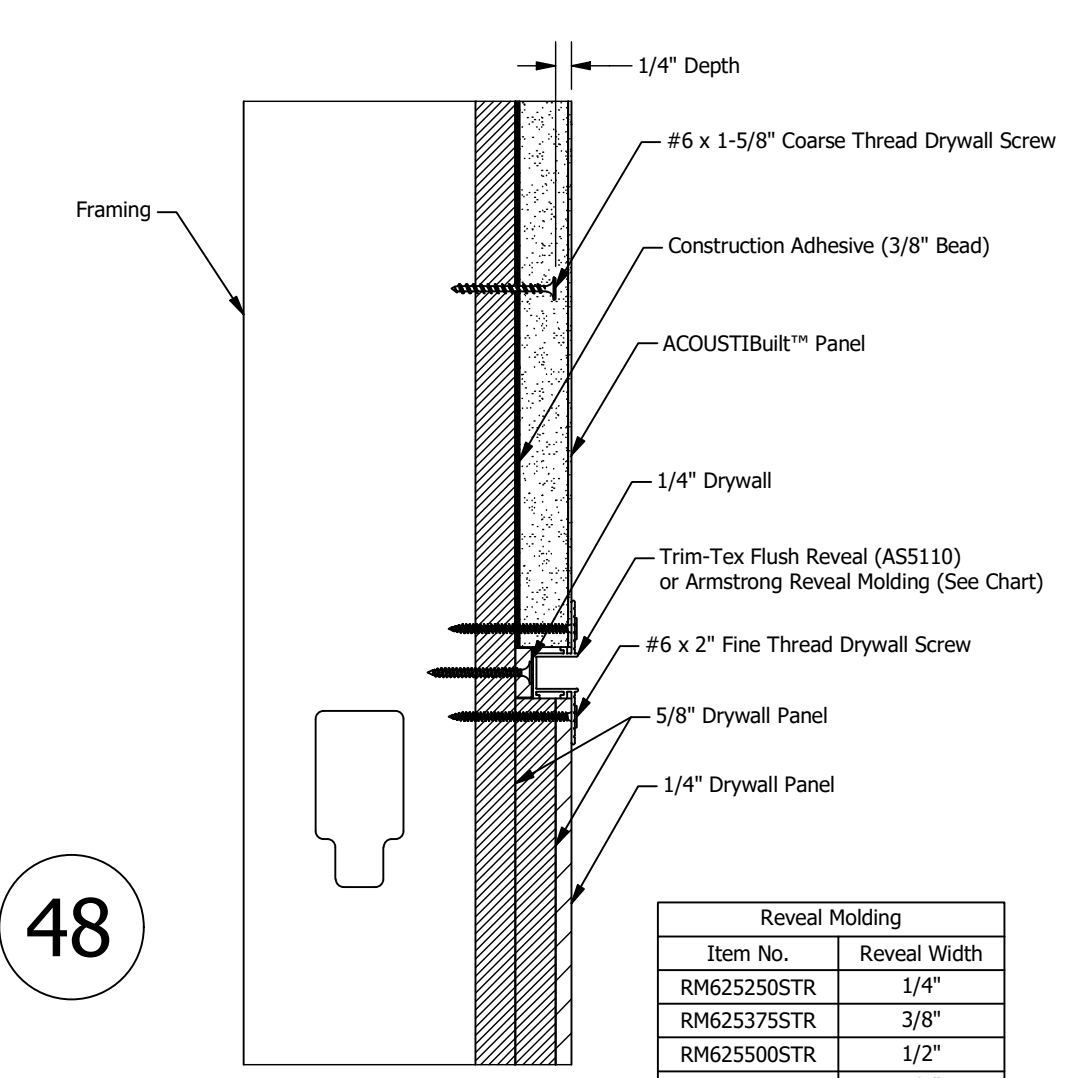
45 ACOUSTIBuilt™ Typical Wall Detail  
SCALE 1 : 3



46 ACOUSTIBuilt™ Wall Step to Drywall with 7/8\"/>

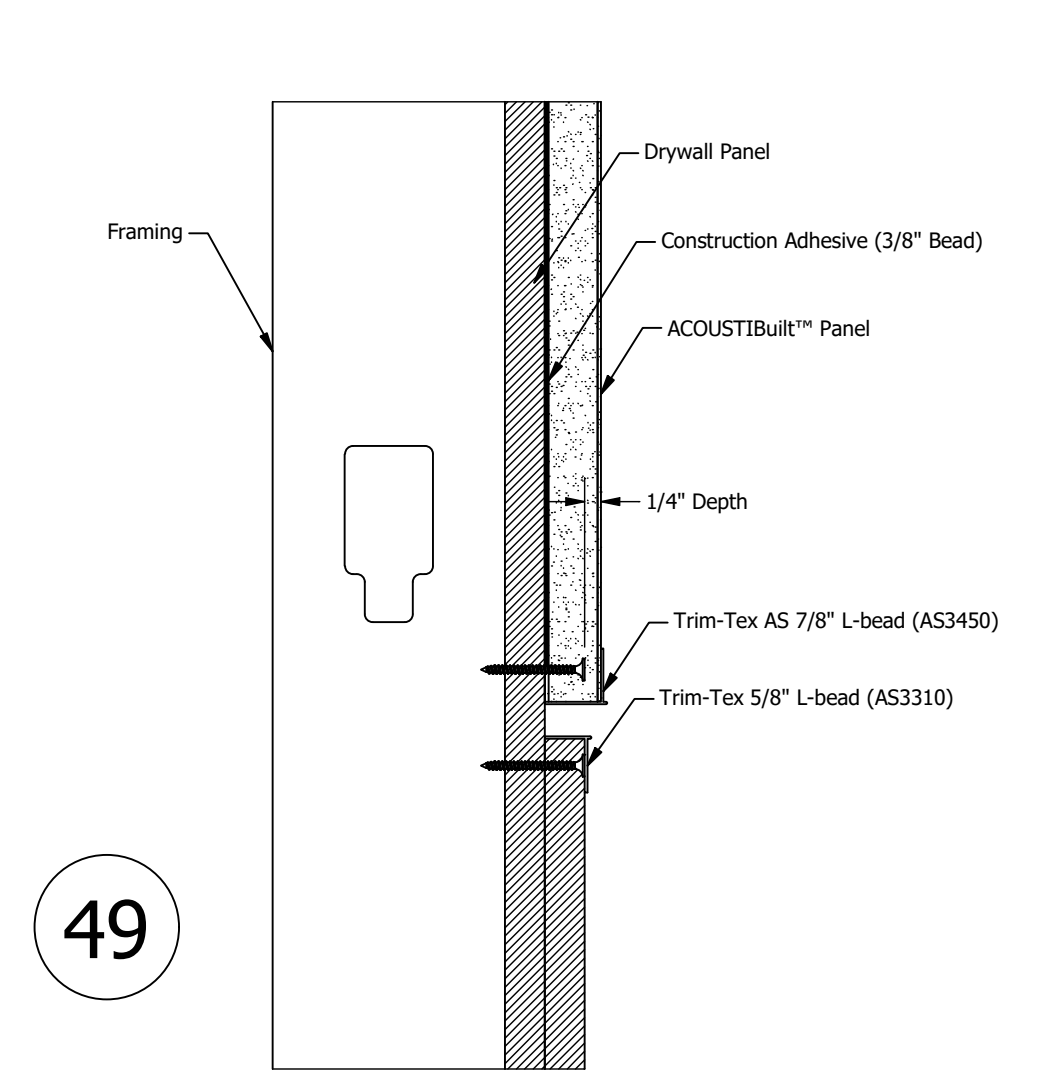


47 ACOUSTIBuilt™ Wall Step to Drywall with Paper-faced Bead  
SCALE 1 : 3

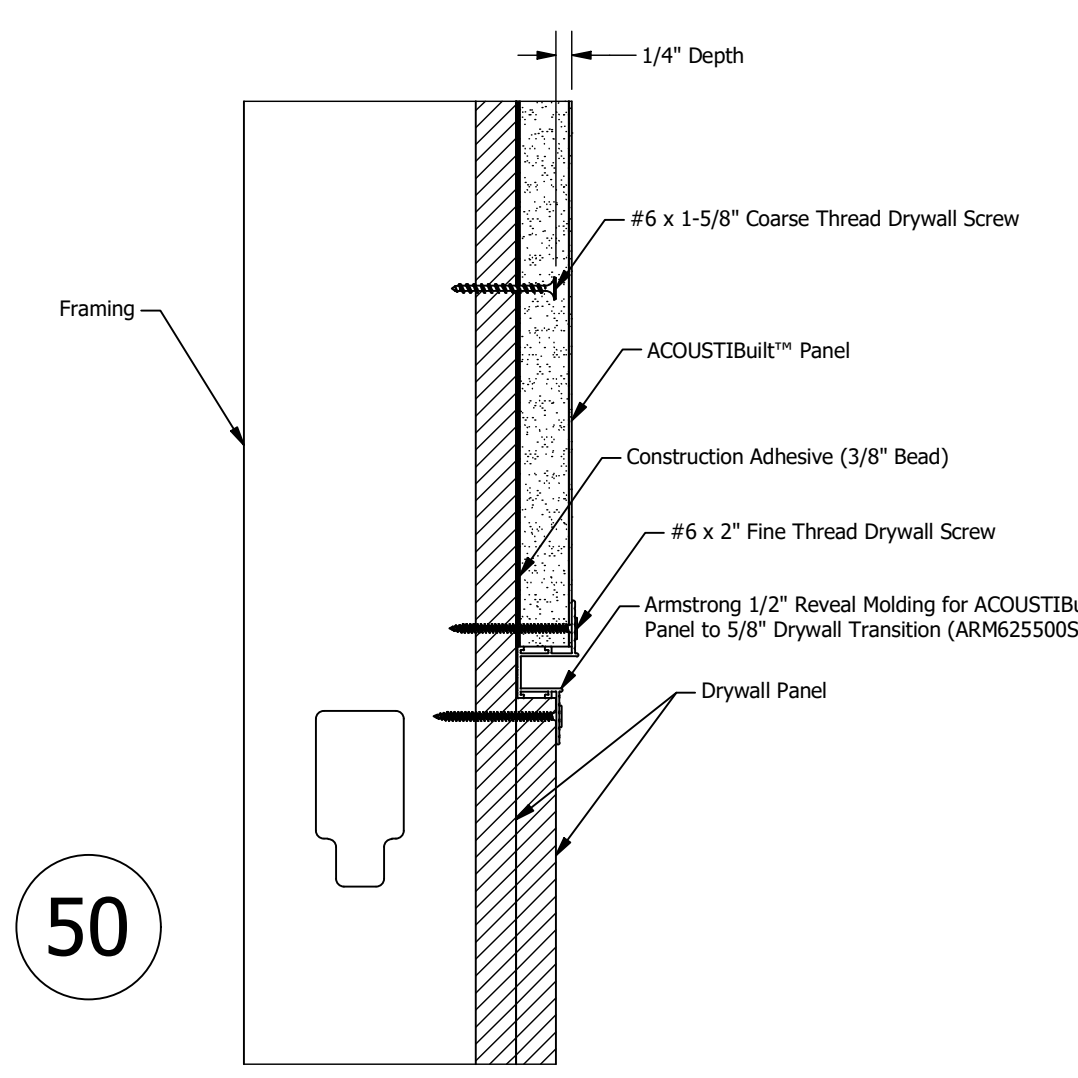


48 ACOUSTIBuilt™ Wall Reveal Flush to Drywall  
SCALE 1 : 3

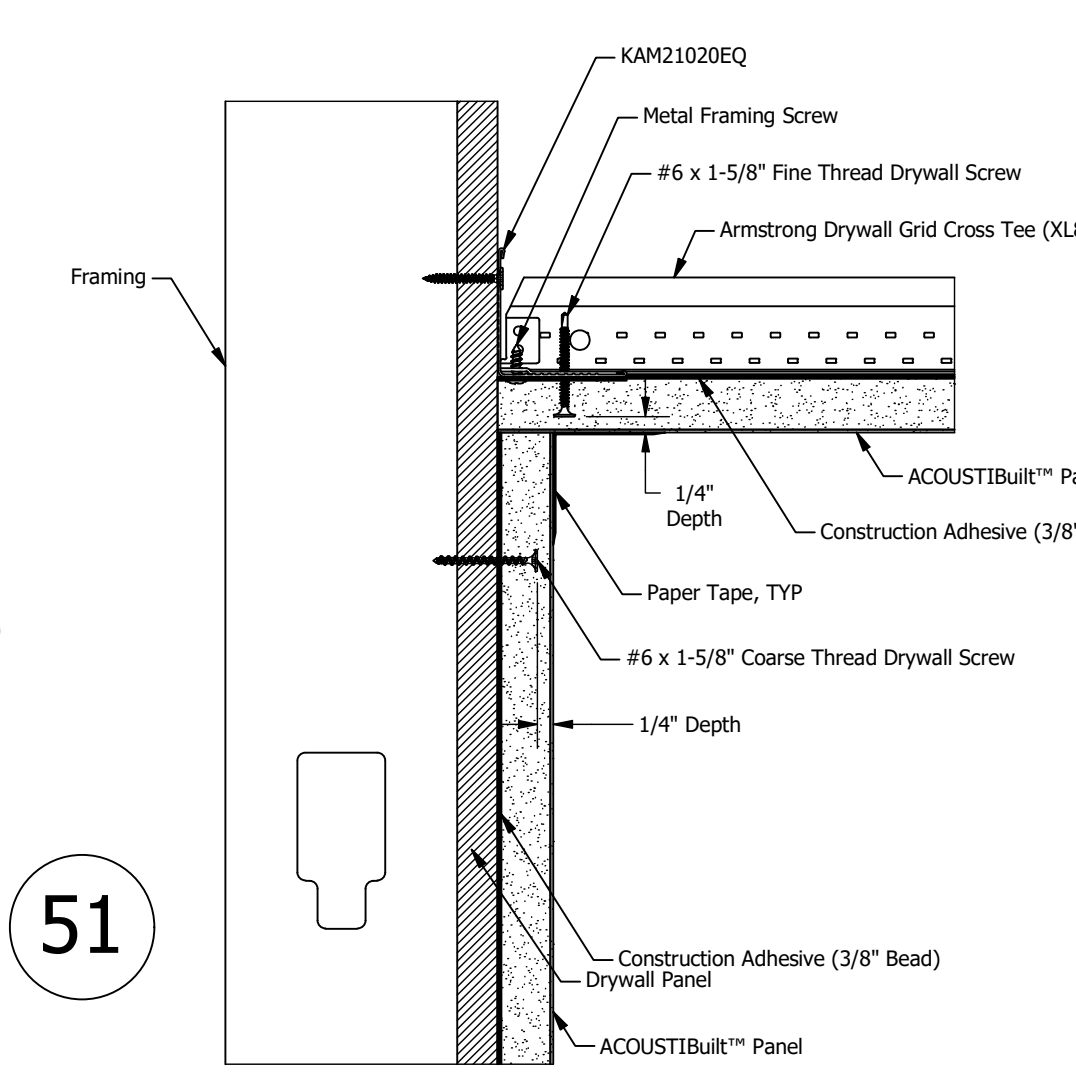
Reveal Molding	
Item No.	Reveal Width
RM625250STR	1/4"
RM625375STR	3/8"
RM625500STR	1/2"
RM625625STR	5/8"
RM625750STR	3/4"



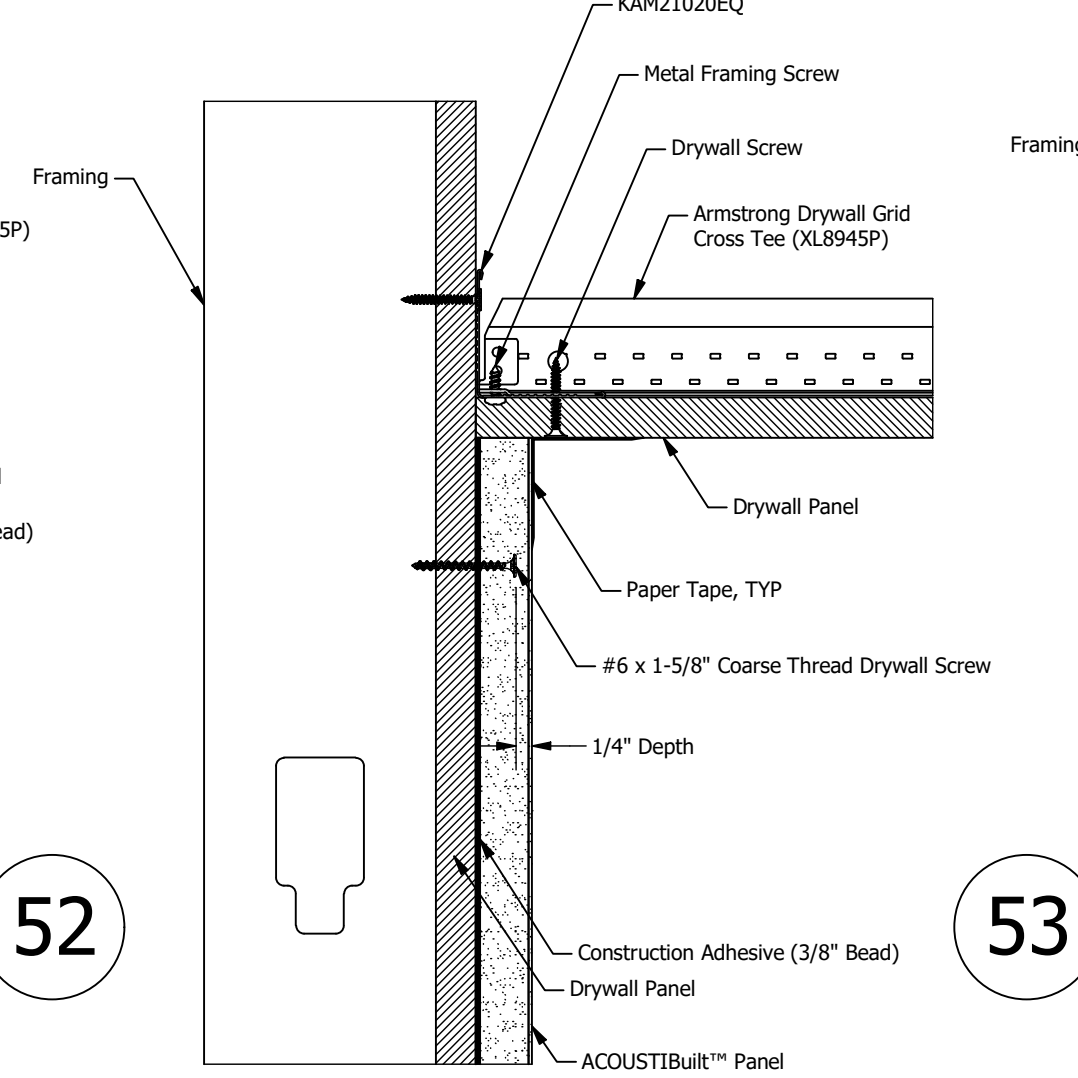
49 ACOUSTIBuilt™ Wall Step to 5/8\"/>



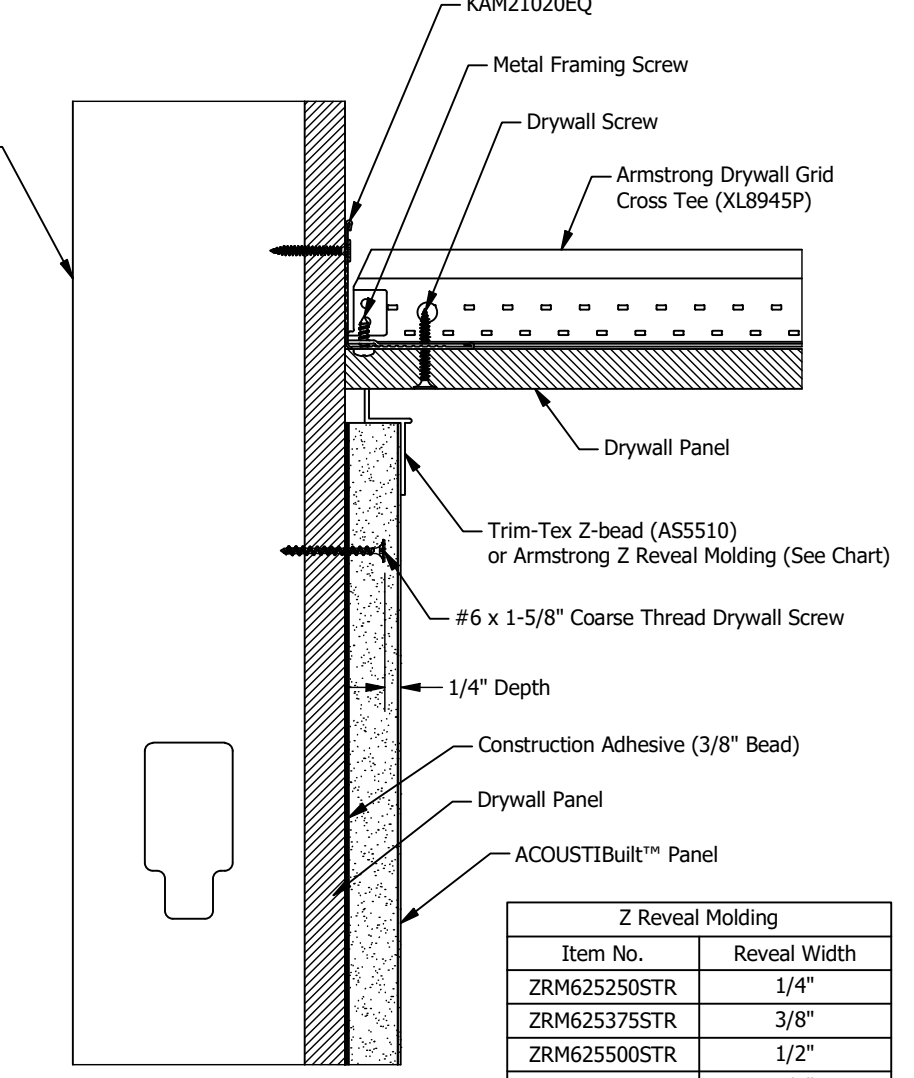
50 ACOUSTIBuilt™ Wall Step to 5/8\"/>



51 ACOUSTIBuilt™ Wall Finished to ACOUSTIBuilt™ Ceiling  
SCALE 1 : 3

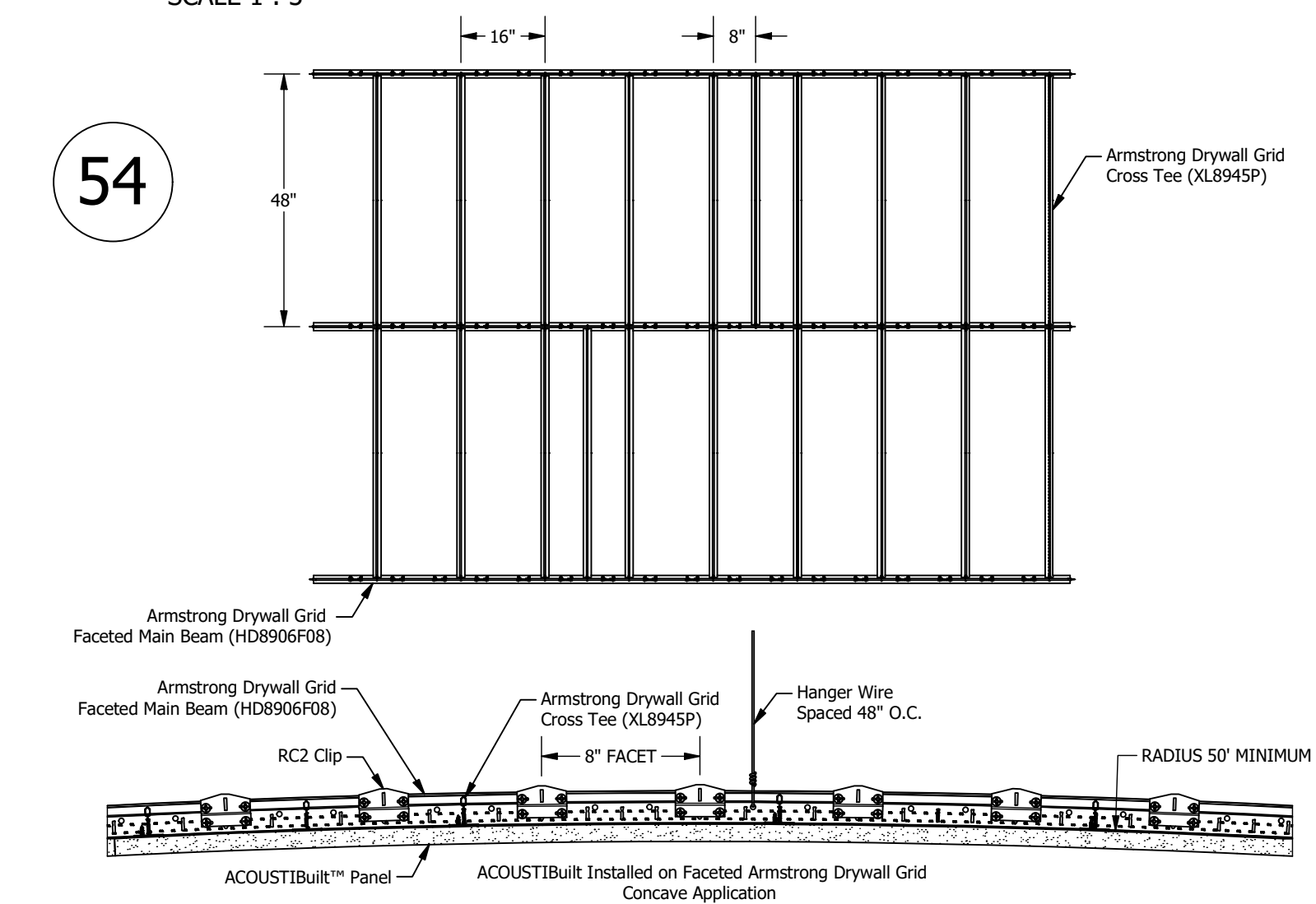


52 ACOUSTIBuilt™ Wall Finished to Drywall Ceiling  
SCALE 1 : 3

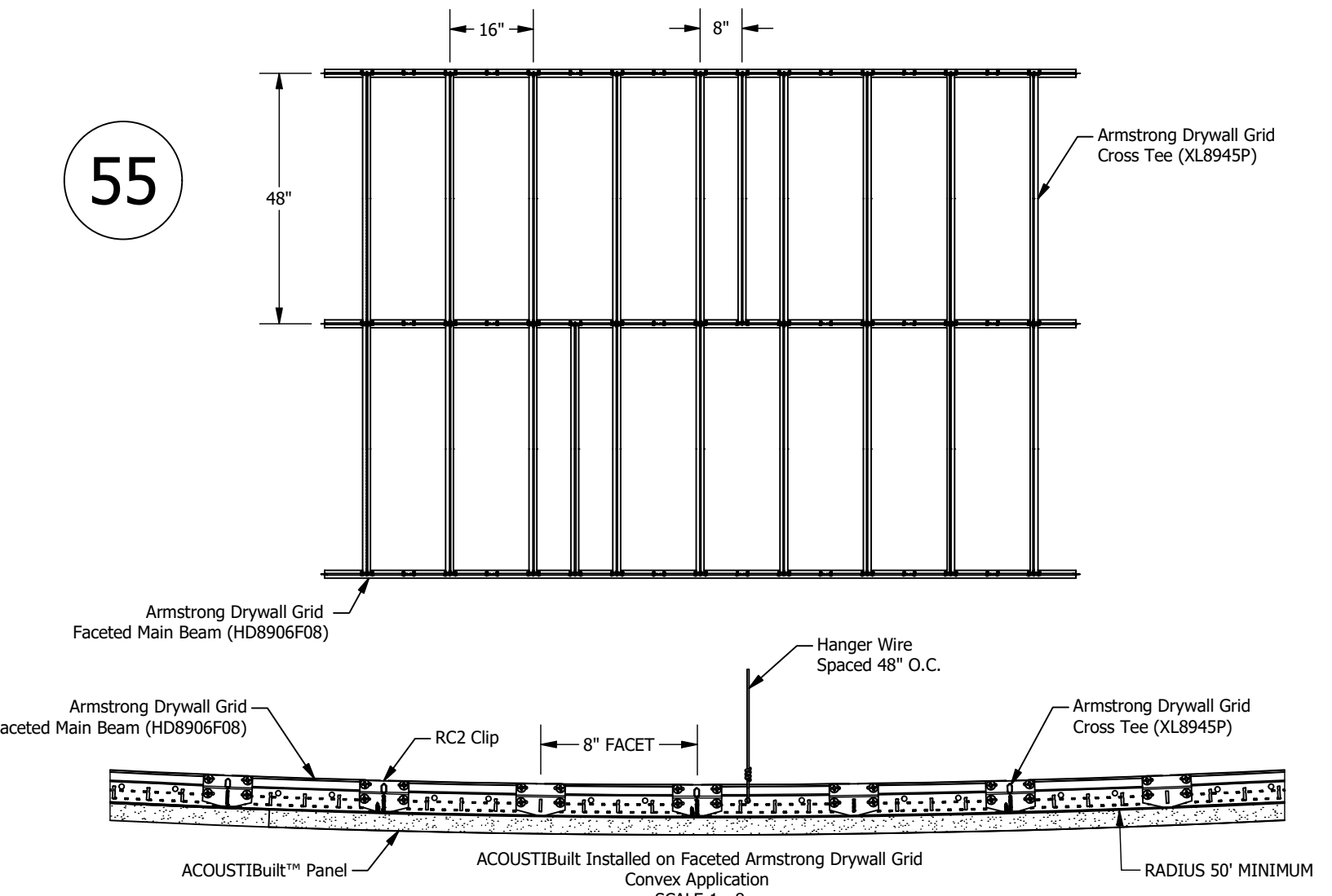


53 ACOUSTIBuilt™ Wall Reveal to Drywall Ceiling  
SCALE 1 : 3

Z Reveal Molding	
Item No.	Reveal Width
ZRM625250STR	1/4"
ZRM625375STR	3/8"
ZRM625500STR	1/2"
ZRM625625STR	5/8"
ZRM625750STR	3/4"



54 ACOUSTIBuilt™ Faceted Grid Layout for Curved Applications - Concave Application  
SCALE 1 : 30



55 ACOUSTIBuilt™ Faceted Grid Layout for Curved Applications - Convex Application  
SCALE 1 : 30