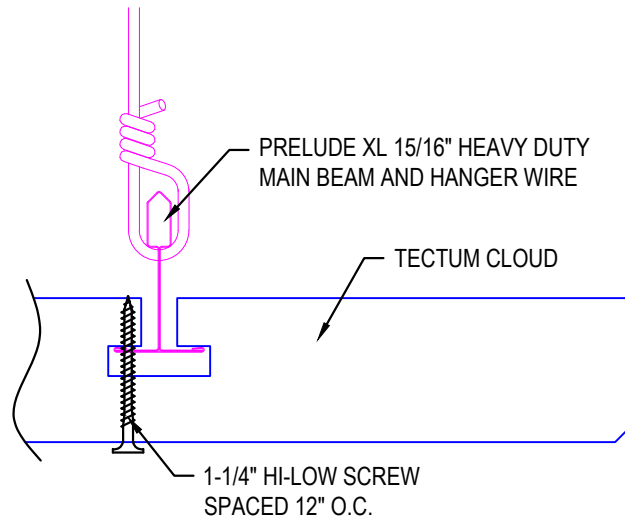


THICKNESS
1-1/2" & 2"
LENGTHS
MAXIMUM 96"
WIDTHS
MAXIMUM 48"
EDGES
SQUARE OR RADIUS



These drawings show typical conditions in which the Armstrong® product depicted is installed. They are not a substitute for an architect's or engineer's plan and do not reflect the unique requirements of local building codes, laws, statutes, ordinances, rules and regulations (Legal Requirements) that may be applicable for a particular installation.

Armstrong Ceiling Solutions does not warrant, and assumes no liability for the accuracy or completeness of the drawings for a particular installation or their fitness for a particular purpose.

The user is advised to consult with a duly licensed architect or engineer in the particular locale of the installation to assure compliance with all Legal Requirements. Armstrong is not licensed to provide professional architecture or engineering design services.

PROJECT NAME:

**ARMSTRONG TECTUM
CLOUDS AND SHAPES**

DWG. NO. 1001

REV: .

DATE: .

DATE: 2/24/23

SCALE:

DESC.: .

DRAWN BY: MAP

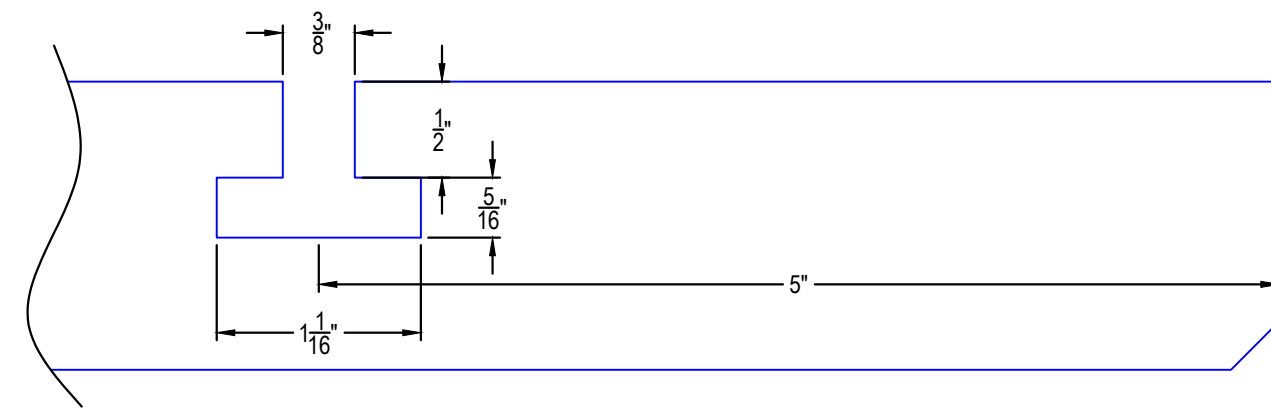
CHK BY:

TechLine

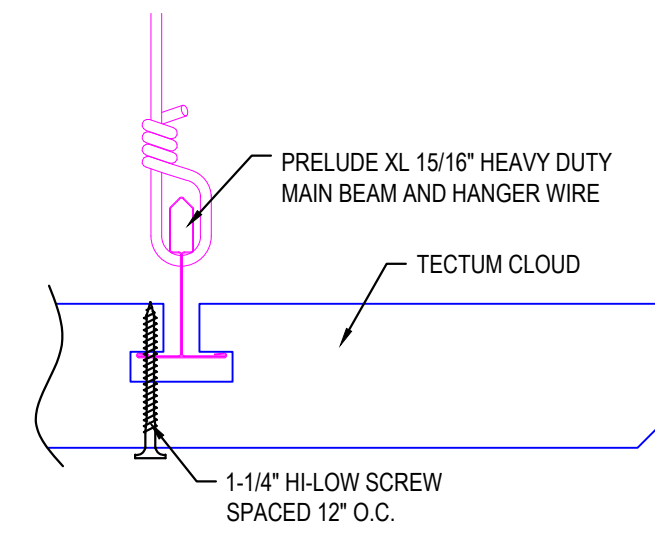
ARMSTRONG CEILING SOLUTIONS * Lancaster, PA * Phone: 877-ARMSTRONG

Armstrong
CEILING SOLUTIONS

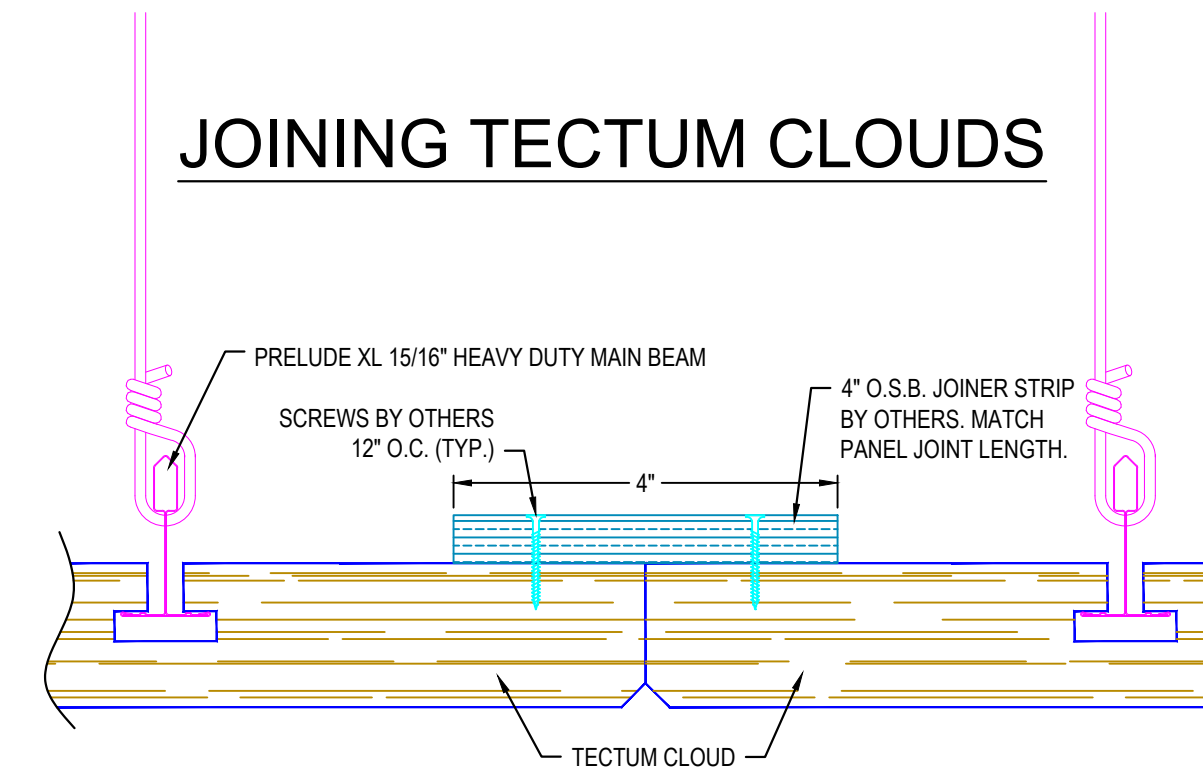
**TECTUM CLOUD SLOT DETAIL
CUT ALONG LONG EDGES.**



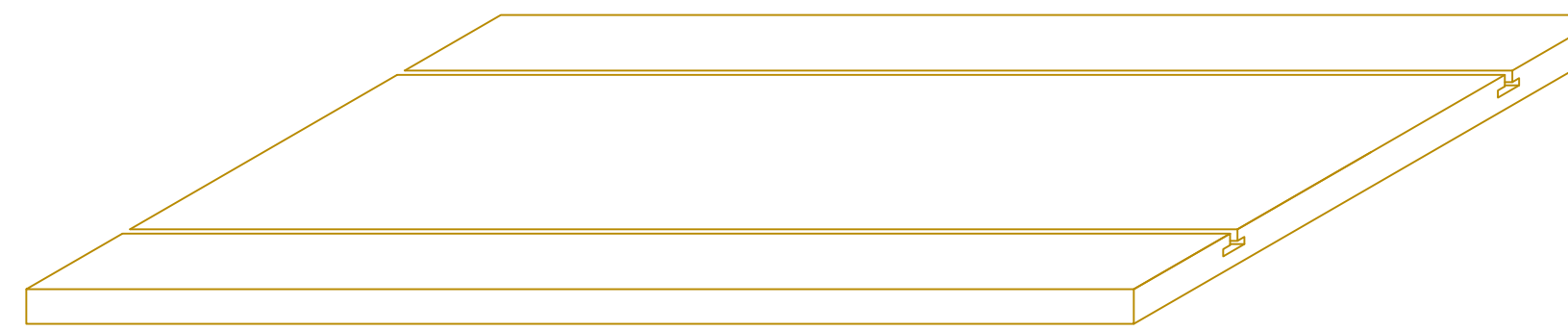
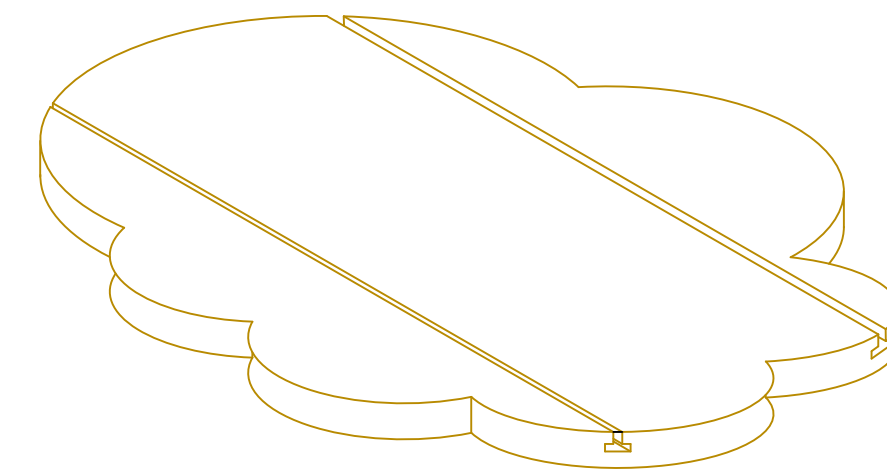
THICKNESS
1-1/2" & 2"
LENGTHS
MAXIMUM 96"
WIDTHS
MAXIMUM 48"
EDGES
SQUARE OR RADIUS



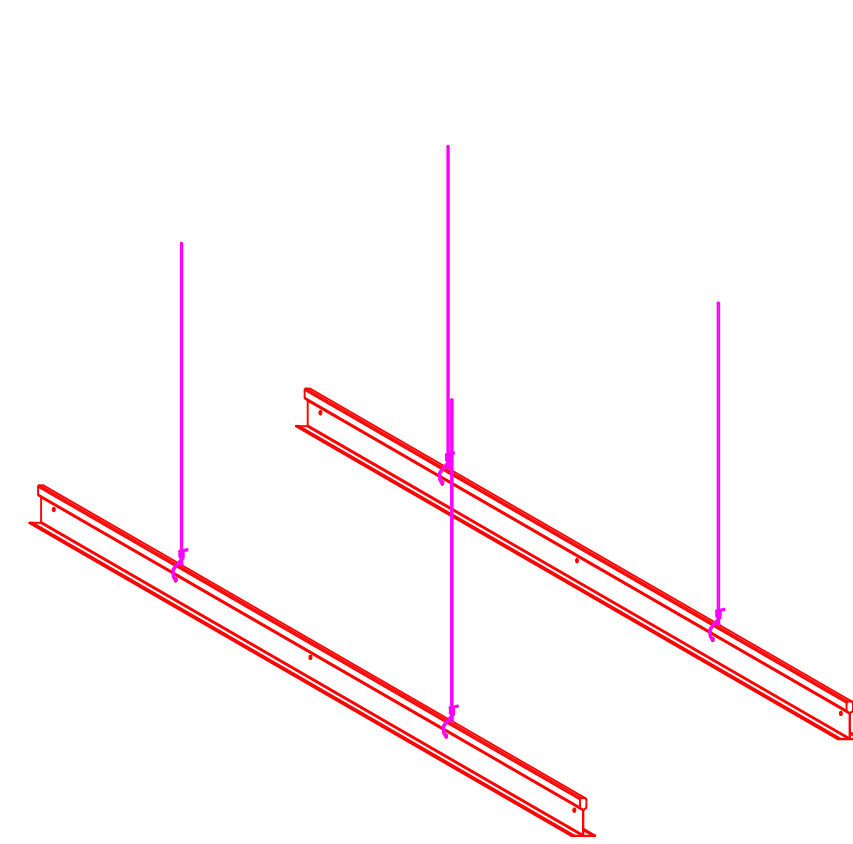
JOINING TECTUM CLOUDS



TECTUM CLOUD PANEL INSTALLATION INSTRUCTIONS

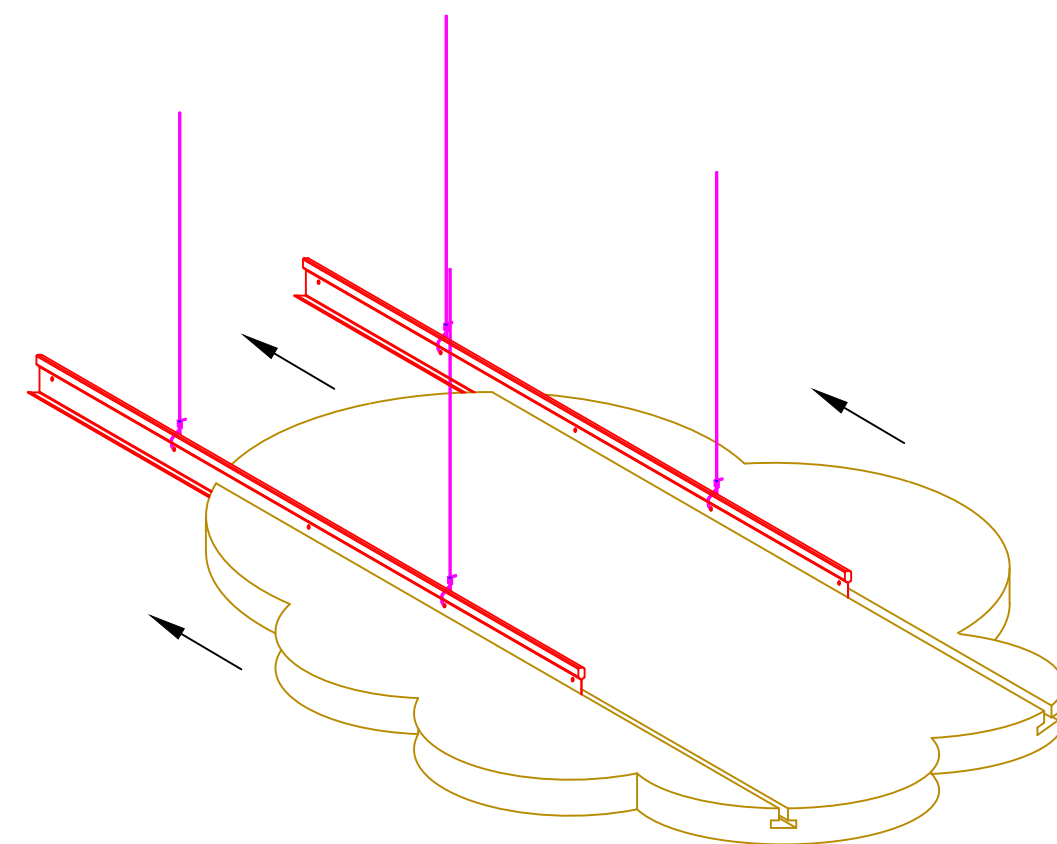


CLOUD PANEL INSTALLATION METHOD #1



STEP #1

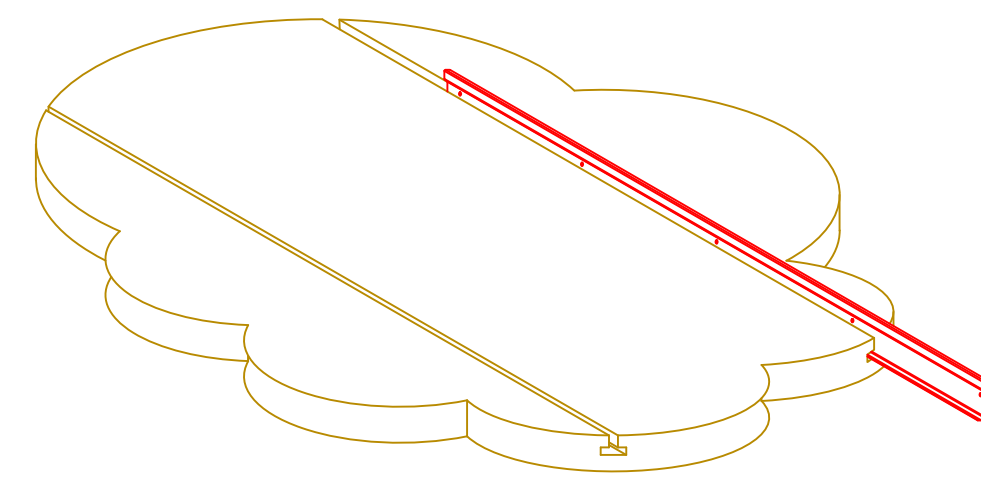
INSTALL THE MAIN BEAM USING THE INSTALLATION INSTRUCTIONS.



STEP #2

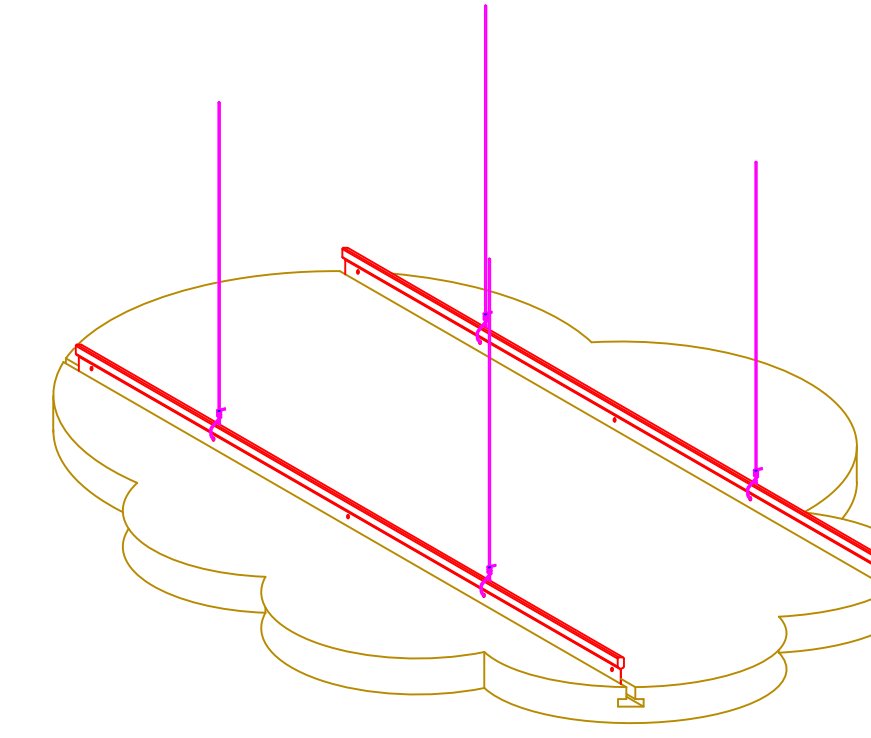
SLIDE THE FREE HANGING MAIN BEAM INTO THE ROUTED SLOTS ON THE TECTUM CLOUD PANEL.

CLOUD PANEL INSTALLATION METHOD #2



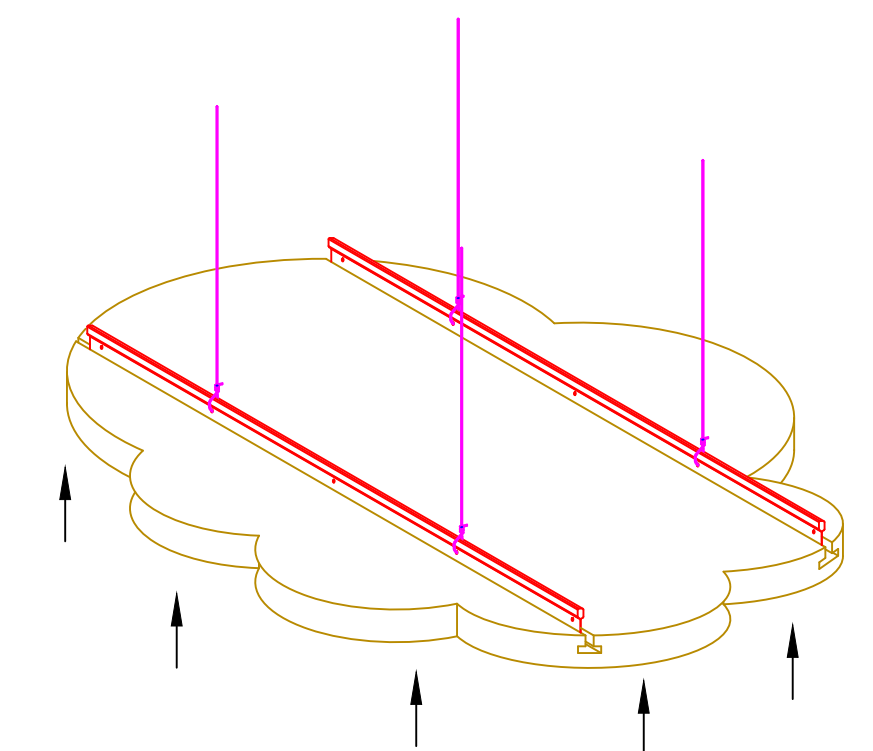
STEP #1

WHILE THE PANELS ARE STILL ON THE GROUND, SLIDE THE MAIN BEAM INTO THE T-SLOT GROOVES ON THE BACK OF THE TECTUM CLOUD PANELS.



STEP #2

ATTACH THE STANDARD HANGER WIRE TO THE MAIN BEAM WITH THE WIRE PLACEMENT PER THE INSTALLATION INSTRUCTIONS.



STEP #3

LIFT THE TECTUM CLOUD PANEL TO THE DESIRED HEIGHT AND TIE THE HANGER WIRES INTO THE STRUCTURE MAKING SURE TO FOLLOW THE INSTALLATION INSTRUCTIONS.

<small>These drawings show typical conditions in which the Armstrong® product depicted is installed. They are not a substitute for an architect's or engineer's plan and do not reflect the unique requirements of local building codes, laws, statutes, ordinances, rules and regulations (Legal Requirements) that may be applicable for a particular installation.</small> <small>Armstrong Ceiling Solutions does not warrant, and assumes no liability for the accuracy or completeness of the drawings for a particular installation or their fitness for a particular purpose. The user is advised to consult with a duly licensed architect or engineer in the particular locale of the installation to assure compliance with all Legal Requirements. Armstrong is not licensed to provide professional architecture or engineering design services.</small>		PROJECT NAME: ARMSTRONG TECTUM CLOUDS AND SHAPES	
DWG. NO. 1001 & 1069	DATE: 2/24/23	SCALE:	REV: . DATE: .
DRAWN BY: MAP	CHK BY:		

