

AXIOM BUILDING PERIMETER MASTER SHEET

SHEET #	DETAIL #	DRAWING
6	A-A010-MS-01	2 AND 3 SIDED POCKETS
7	A-A010-MS-02	DOUBLE SHADE POCKETS
8	A-A010-MS-03	LUTRON POCKETS
9	A-A010-MS-04	EXTENSION, NO POCKET & FACE PLATES
10	A-A010-MS-05	BUILDING PERIMETER POCKET ACCESSORIES
11	A-A010-MS-06	INSTALLATIONS
12	A-A010-MS-07	INSTALLATIONS
13	A-A010-MS-08	INSTALLATIONS
14	A-A010-MS-09	INSTALLATION ISOMETRICS
15	A-A010-DD-001	AXIOM PERIMETER AXP255
16	A-A010-DD-002	AXIOM PERIMETER AXP255C
17	A-A010-DD-003	AXIOM PERIMETER AXP236
18	A-A010-DD-004	AXIOM PERIMETER AXP355
19	A-A010-DD-005	AXIOM PERIMETER AXP3552
20	A-A010-DD-006	AXIOM PERIMETER AXP355C
21	A-A010-DD-007	AXIOM PERIMETER AXP355D
22	A-A010-DD-008	AXIOM PERIMETER AXP355S
23	A-A010-DD-009	AXIOM PERIMETER AXP35434E
24	A-A010-DD-010	AXIOM PERIMETER AXP355MA
25	A-A010-DD-011	AXIOM PERIMETER AXP355MD
26	A-A010-DD-012	AXIOM PERIMETER AXP355ME
27	A-A010-DD-013	AXIOM PERIMETER AXP355MS
28	A-A010-DD-014	AXIOM PERIMETER AXP3685A
29	A-A010-DD-015	AXIOM PERIMETER AXP3685AN
30	A-A010-DD-016	AXIOM PERIMETER AXP3685S

These drawings show typical conditions in which the Armstrong product depicted is installed. They are not a substitute for an architect's or engineer's plan and do not reflect the unique requirements of local building codes, laws, statutes, ordinances, rules and regulations (Legal Requirements) that may be applicable for a particular installation.

Armstrong does not warrant, and assumes no liability for the accuracy or completeness of the drawings for a particular installation or their fitness for a particular purpose. The user is advised to consult with a duly licensed architect or engineer in the particular locale of the installation to assure compliance with all Legal Requirements.

Armstrong is not licensed to provide professional architecture or engineering design services.

PROJECT NAME: **AXIOM BUILDING PERIMETER MASTER SHEET**

DWG. NO. A-A010-MS-00		REV: .	DATE: .
DATE: 1/30/25	SCALE:	DESC.: .	
DRAWN BY: DAG	CHK BY: .		



AXIOM BUILDING PERIMETER MASTER SHEET

SHEET #	DETAIL #	DRAWING
31	A-A010-DD-017	AXIOM PERIMETER AXP3685D
32	A-A010-DD-018	AXIOM PERIMETER AXP3685DR
33	A-A010-DD-019	AXIOM PERIMETER AXP3685F
34	A-A010-DD-020	AXIOM PERIMETER AXP3685WC
353	A-A010-DD-021	AXIOM PERIMETER AXP3711A
36	A-A010-DD-022	AXIOM PERIMETER AXP3711AN
37	A-A010-DD-023	AXIOM PERIMETER AXP3711S
38	A-A010-DD-024	AXIOM PERIMETER AXP3711D
39	A-A010-DD-025	AXIOM PERIMETER AXP3711DR
40	A-A010-DD-026	AXIOM PERIMETER AXP3711F
41	A-A010-DD-027	AXIOM PERIMETER AXP3711WC
42	A-A010-DD-028	AXIOM PERIMETER AXP355L
43	A-A010-DD-029	AXIOM PERIMETER AXP355LC
44	A-A010-DD-030	AXIOM PERIMETER AXP355LD
45	A-A010-DD-031	AXIOM PERIMETER AXP355LE
46	A-A010-DD-032	AXIOM PERIMETER AXP355MLA
47	A-A010-DD-033	AXIOM PERIMETER AXP355MLD
48	A-A010-DD-034	AXIOM PERIMETER LUTRON CLOSURE CLIP AXPCC3L
49	A-A010-DD-035	AXIOM WALL CLOSURE CLIP AXPWCCP2
50	A-A010-DD-036	AXIOM PERIMETER EXTENSION AXPEPH
51	A-A010-DD-037	AXIOM PERIMETER EXTENSION AXPEP4
52	A-A010-DD-038	AXIOM PERIMETER EXTENSION AXPEP6
53	A-A010-DD-039	AXIOM PERIMETER EXTENSION AXPEP8
54	A-A010-DD-040	AXIOM PERIMETER EXTENSION AXPES6
55	A-A010-DD-041	AXIOM POCKETLESS DRYWALL REVEAL AXPNP38D

These drawings show typical conditions in which the Armstrong product depicted is installed. They are not a substitute for an architect's or engineer's plan and do not reflect the unique requirements of local building codes, laws, statutes, ordinances, rules and regulations (Legal Requirements) that may be applicable for a particular installation.

Armstrong does not warrant, and assumes no liability for the accuracy or completeness of the drawings for a particular installation or their fitness for a particular purpose. The user is advised to consult with a duly licensed architect or engineer in the particular locale of the installation to assure compliance with all Legal Requirements.

Armstrong is not licensed to provide professional architecture or engineering design services.

PROJECT NAME: **AXIOM BUILDING PERIMETER MASTER SHEET**

DWG. NO. A-A010-MS-00		REV: .	DATE: .
DATE: 1/30/25	SCALE:	DESC.: .	
DRAWN BY: DAG	CHK BY: .		



AXIOM BUILDING PERIMETER MASTER SHEET

SHEET #	DETAIL #	DRAWING
56	A-A010-DD-042	AXIOM POCKETLESS DRYWALL FLANGE AXPMPD
57	A-A010-DD-043	AXIOM POCKETLESS ACOUSTICAL FLANGE AXPMP34A
58	A-A010-DD-044	AXIOM POCKETLESS SEISMIC FLANGE AXPMP125A
59	A-A010-DD-045	AXIOM WALL CLIP AXPWC
60	A-A010-DD-046	AXIOM FACE PLATE AXPDFP4
61	A-A010-DD-047	AXIOM FACE PLATE AXPDFP7
62	A-A010-DD-048	AXIOM FACE PLATE AXPDFPS7
63	A-A010-DD-049	AXIOM FACE PLATE AXPDFP4DT
64	A-A010-DD-050	AXIOM FACE PLATE AXPDFP7DT
65	A-A010-DD-051	AXIOM FACE PLATE AXPDFPS7SLA
66	A-A010-DD-052	AXIOM FACE PLATE AXPDFPS7SLB
67	A-A010-DD-053	AXIOM FIELD FACE PLATE AXFFP4
68	A-A010-DD-054	AXIOM FIELD FACE PLATE AXFFP6
69	A-A010-DD-055	AXIOM PERIMETER CLOSURE CLIP AXPC2
70	A-A010-DD-056	AXIOM PERIMETER CLOSURE CLIP AXPC3
71	A-A010-DD-057	AXIOM PERIMETER CLOSURE CLIP AXPC5
72	A-A010-DD-058	AXIOM PROFILED TRIM AXDWT
73	A-A010-DD-059	AXIOM PERIMETER END PLATE AXPC1
74	A-A010-DD-060	AXIOM PERIMETER END PLATE AXPCIV
75	A-A010-DD-061	AXIOM PERIMETER CORNER SPLICED
76	A-A010-DD-062	AXIOM PERIMETER SPLICE INSTALLATION
77	A-A010-DD-063	AXIOM FOAM GASKET AXPF6
78	A-A010-DD-064	AXIOM INTERLOCKING SPLINE AXPSPLINE
79	A-A010-DD-065	AXIOM SPLINE CONNECTION
80	A-A010-DD-066	AXIOM WALL CLIP WITH HOOK

These drawings show typical conditions in which the Armstrong product depicted is installed. They are not a substitute for an architect's or engineer's plan and do not reflect the unique requirements of local building codes, laws, statutes, ordinances, rules and regulations (Legal Requirements) that may be applicable for a particular installation.

Armstrong does not warrant, and assumes no liability for the accuracy or completeness of the drawings for a particular installation or their fitness for a particular purpose. The user is advised to consult with a duly licensed architect or engineer in the particular locale of the installation to assure compliance with all Legal Requirements.

Armstrong is not licensed to provide professional architecture or engineering design services.

PROJECT NAME: **AXIOM BUILDING PERIMETER MASTER SHEET**

DWG. NO. A-A010-MS-00		REV: .	DATE: .
DATE: 1/30/25	SCALE:	DESC.: .	
DRAWN BY: DAG	CHK BY: .		



AXIOM BUILDING PERIMETER MASTER SHEET

SHEET #	DETAIL #	DRAWING
81	A-A010-DD-067	AXIOM FOAM GASKET INSTALLATION
82	A-A010-DD-068	AXIOM FACE PLATE CONNECTION
83	A-A010-DD-069	AXIOM PERIMETER EXTENSION CONNECTION
84	A-A010-DD-070	AXIOM AXPDFP7 TO ACT APPLICATION
85	A-A010-DD-071	AXIOM PERIMETER AXP335 TO MAIN BEAM
86	A-A010-DD-072	AXIOM BUILDING PERIMETER POCKET
87	A-A010-DD-073	AXIOM PERIMETER POCKET WITH BERCAXT AND AXPC3
88	A-A010-DD-074	AXIOM PERIMETER TO ACT 1/4" OFFSET
89	A-A010-DD-075	AXIOM PERIMETER TO ACT 3/8" OFFSET
90	A-A010-DD-076	AXIOM PERIMETER TO ACT 1/2" OFFSET
91	A-A010-DD-077	AXIOM PERIMETER TO DRYWALL
92	A-A010-DD-078	AXIOM PERIMETER AXP255 TO ACT WITH AXPC2
93	A-A010-DD-079	AXIOM PERIMETER AXP255 TO DRYWALL
94	A-A010-DD-080	AXIOM PERIMETER AXP236 TO ACT
95	A-A010-DD-081	AXIOM PERIMETER ACT TRANSITION ON TWO SIDES
96	A-A010-DD-082	AXIOM PERIMETER ACT TRANSITION ON TWO SIDES WITH STUD
97	A-A010-DD-083	AXIOM FIELD PLATE ACT TRANSITION ON BOTH SIDES
98	A-A010-DD-084	AXIOM POCKETLESS SHADE AXPNPFA
99	A-A010-DD-085	AXIOM POCKETLESS SHADE AXPNP34A
100	A-A010-DD-086	AXIOM POCKETLESS SHADE AXPNP125A
101	A-A010-DD-087	AXIOM POCKETLESS SHADE DRYWALL AXPNP38D
102	A-A010-DD-088	AXIOM POCKETLESS SHADE DRYWALL AXPNPD
103	A-A010-DD-089	AXIOM PERIMETER AXP3685A TO ACT
104	A-A010-DD-090	AXIOM PERIMETER AXP3685D TO DRYWALL
105	A-A010-DD-091	AXIOM PERIMETER AXP3711A TO ACT

These drawings show typical conditions in which the Armstrong product depicted is installed. They are not a substitute for an architect's or engineer's plan and do not reflect the unique requirements of local building codes, laws, statutes, ordinances, rules and regulations (Legal Requirements) that may be applicable for a particular installation.

Armstrong does not warrant, and assumes no liability for the accuracy or completeness of the drawings for a particular installation or their fitness for a particular purpose. The user is advised to consult with a duly licensed architect or engineer in the particular locale of the installation to assure compliance with all Legal Requirements.

Armstrong is not licensed to provide professional architecture or engineering design services.

PROJECT NAME: **AXIOM BUILDING PERIMETER MASTER SHEET**

DWG. NO. A-A010-MS-00		REV: .	DATE: .
DATE: 1/30/25	SCALE:	DESC.: .	
DRAWN BY: DAG	CHK BY: .		



AXIOM BUILDING PERIMETER MASTER SHEET

SHEET #	DETAIL #	DRAWING
106	A-A010-DD-092	AXIOM PERIMETER AXP3711D TO DRYWALL
107	A-A010-DD-093	AXIOM 2 SIDED POCKET TO 7" FACE PLATE DRYWALL SUSPENSION
108	A-A010-DD-094	AXIOM 3 SIDED POCKET TO 7" FACE PLATE DRYWALL SUSPENSION
109	A-A010-DD-095	AXIOM 2 SIDED POCKET TO 7" FACE PLATE
110	A-A010-DD-096	AXIOM 3 SIDED POCKET TO 7" FACE PLATE
111	A-A010-DD-097	AXIOM 2 SIDED POCKET TO 4" FACE PLATE SEISMIC
112	A-A010-DD-098	AXIOM PERIMETER POCKET WITH FACE PLATE AND EXTENSION APPLICATION
113	A-A010-DD-099	AXIOM 2 SIDED POCKET TO 6" EXTENSION
114	A-A010-DD-100	AXIOM 2 SIDED POCKET TO 6" EXTENSION DRYWALL
115	A-A010-DD-101	AXIOM 3 SIDED POCKET TO 6" EXTENSION
116	A-A010-DD-102	AXIOM 3 SIDED POCKET TO 6" EXTENSION DRYWALL
117	A-A010-DD-103	AXIOM 3 SIDED POCKET TO 8" EXTENSION WITH CLOSURE CLIP
118	A-A010-DD-104	AXIOM 3 SIDED POCKET TO 4" EXTENSION TO 4" EXTENSION
119	A-A010-DD-105	AXIOM 3 SIDED POCKET EXTENSION WITH SEISMIC BRACING
120	A-A010-DD-106	AXIOM 3 SIDED POCKET EXTENSION WITH SEISMIC BRACING ISO
121	A-A010-DD-107	AXIOM 3 SIDED PERIMETER POCKET APPLICATION
122	A-A010-DD-108	AXIOM 3 SIDED PERIMETER POCKET CUSTOM FACE PLATE APPLICATION
123	A-A010-DD-109	AXIOM 3 SIDED PERIMETER POCKET SYSTEM APPLICATION
124	A-A010-DD-110	AXIOM 3 SIDED PERIMETER POCKET EXTENSION APPLICATION
125	A-A010-DD-111	AXIOM PERIMETER POCKET FREE FLOATING WITH HVAC BOOT
126	A-A010-DD-112	AXIOM 3 SIDED PERIMETER POCKET FACE PLATE WITH HVAC BOOT APPLICATION

These drawings show typical conditions in which the Armstrong product depicted is installed. They are not a substitute for an architect's or engineer's plan and do not reflect the unique requirements of local building codes, laws, statutes, ordinances, rules and regulations (Legal Requirements) that may be applicable for a particular installation.

Armstrong does not warrant, and assumes no liability for the accuracy or completeness of the drawings for a particular installation or their fitness for a particular purpose. The user is advised to consult with a duly licensed architect or engineer in the particular locale of the installation to assure compliance with all Legal Requirements.

Armstrong is not licensed to provide professional architecture or engineering design services.

PROJECT NAME: **AXIOM BUILDING PERIMETER MASTER SHEET**

DWG. NO. **A-A010-MS-00**

REV: . DATE: .

DATE: **1/30/25**

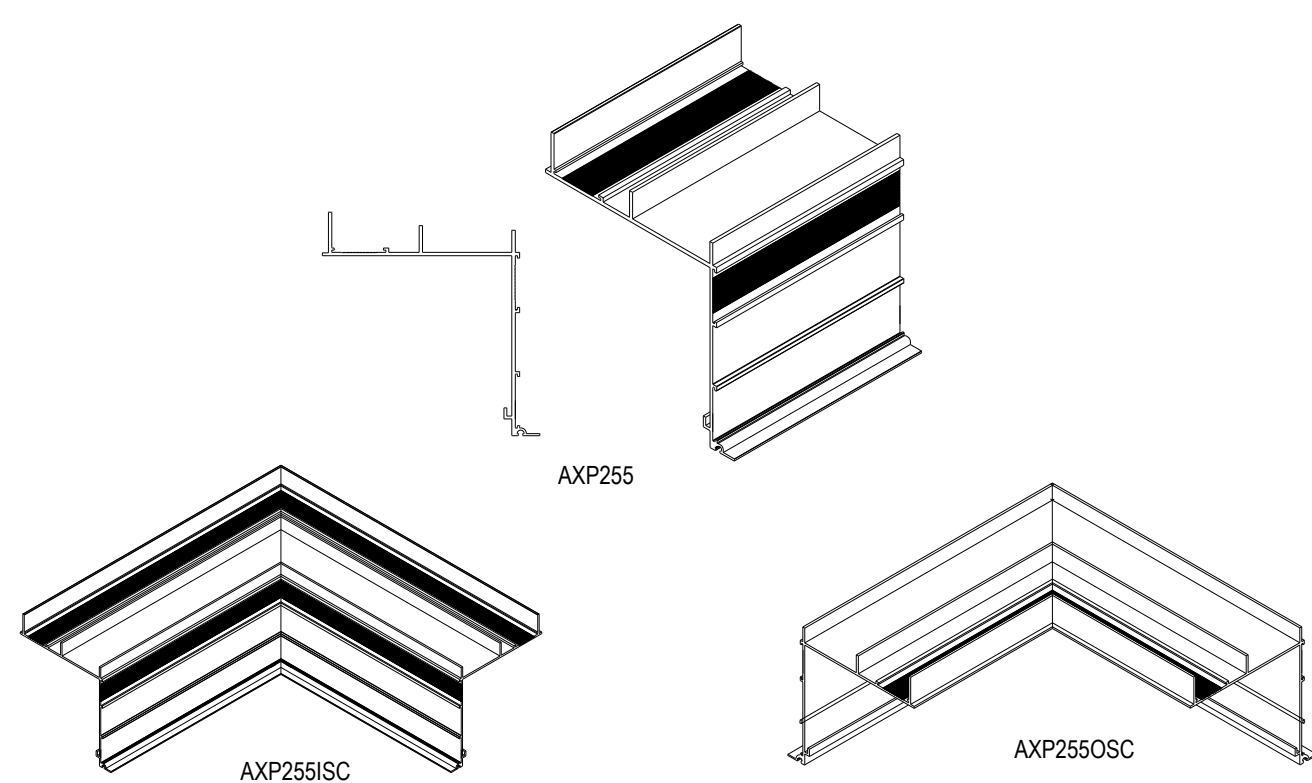
SCALE:

DESC.: .

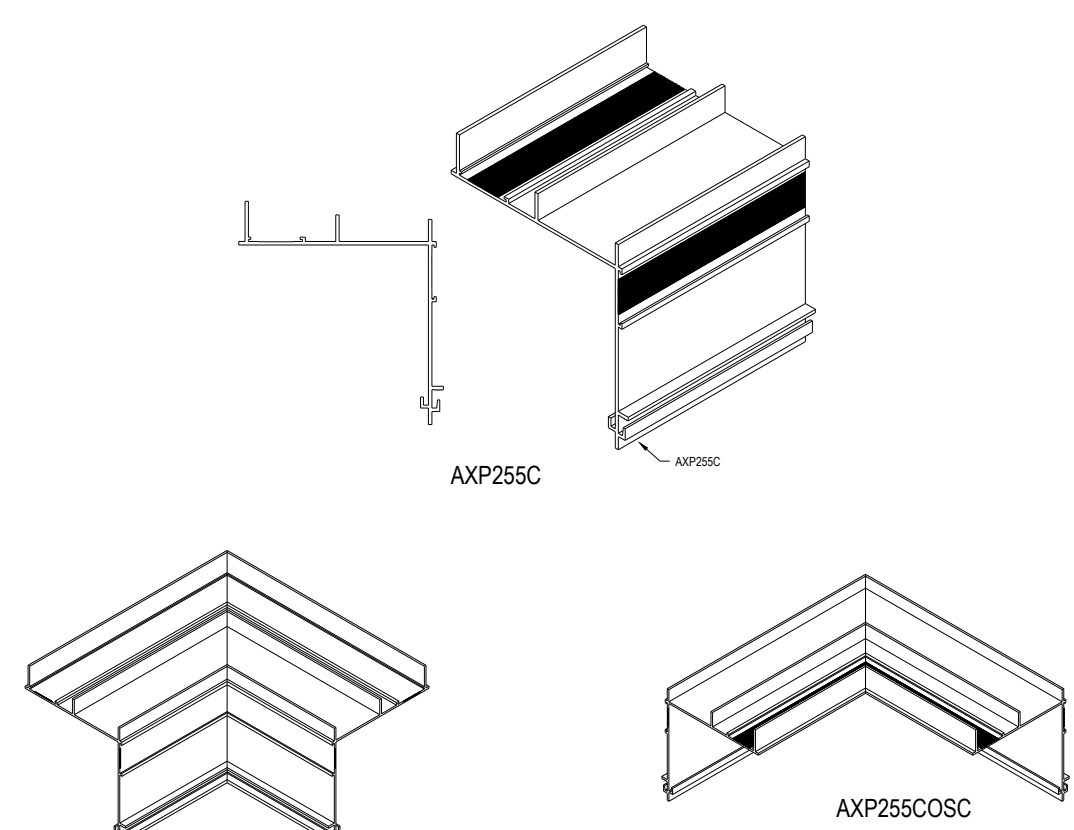
DRAWN BY: **DAG**

CHK BY: .

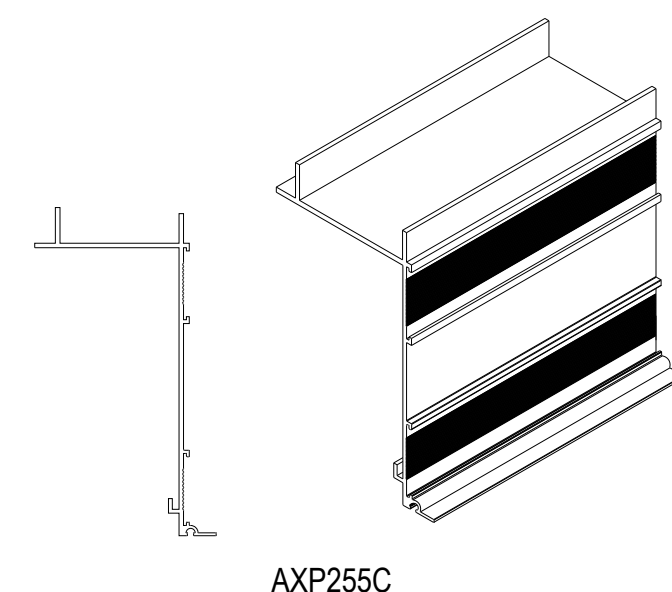




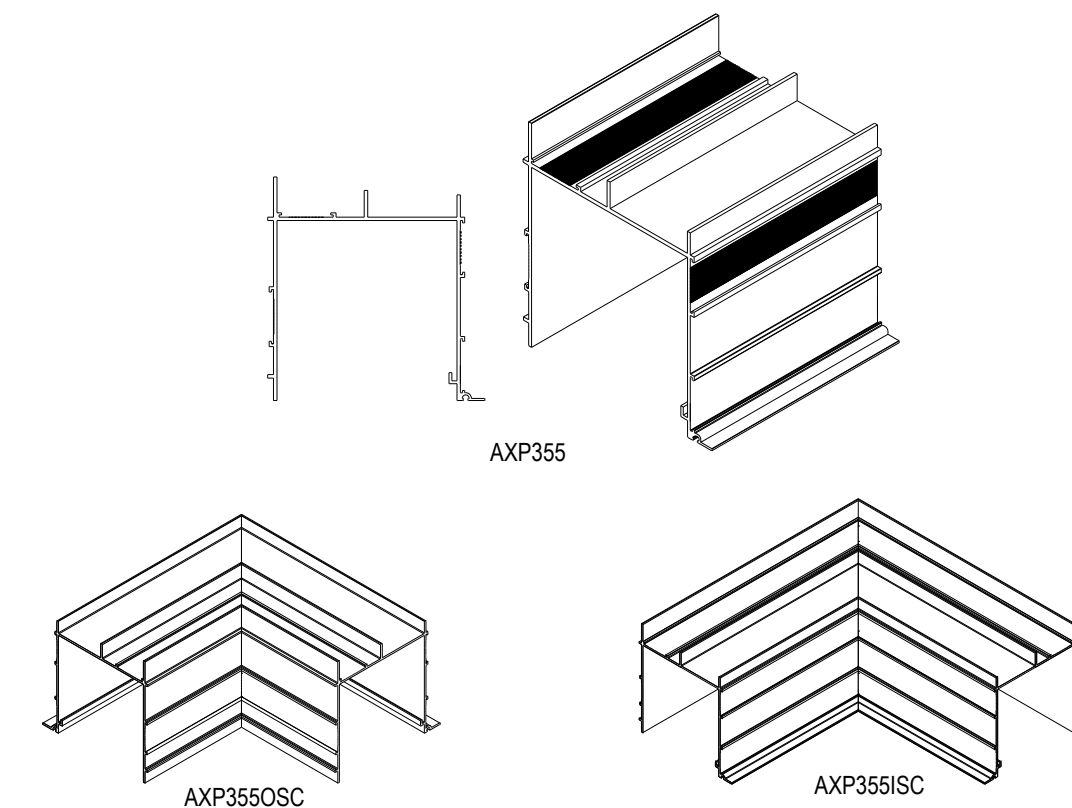
DD-001 AXIOM PERIMETER AXP255



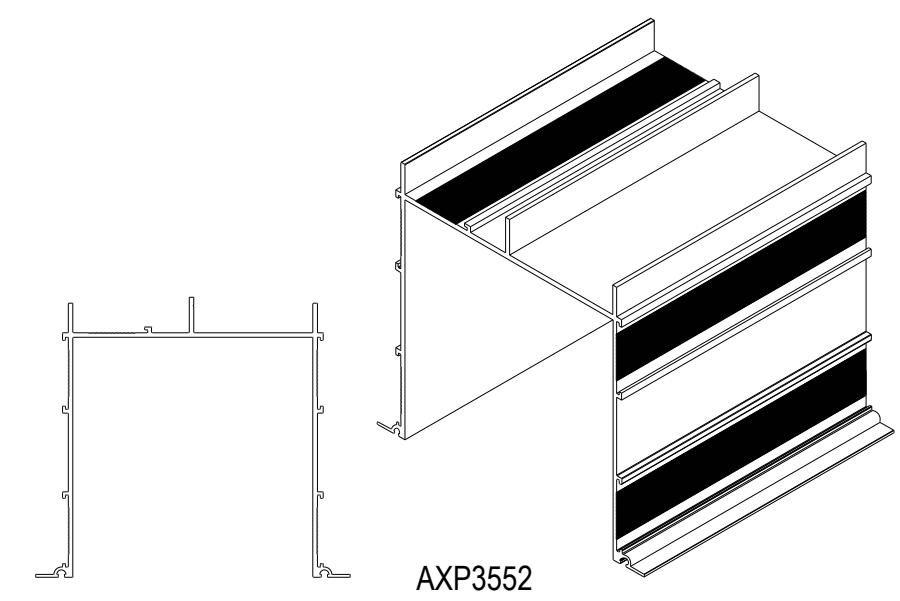
DD-002 AXIOM PERIMETER AXP255C



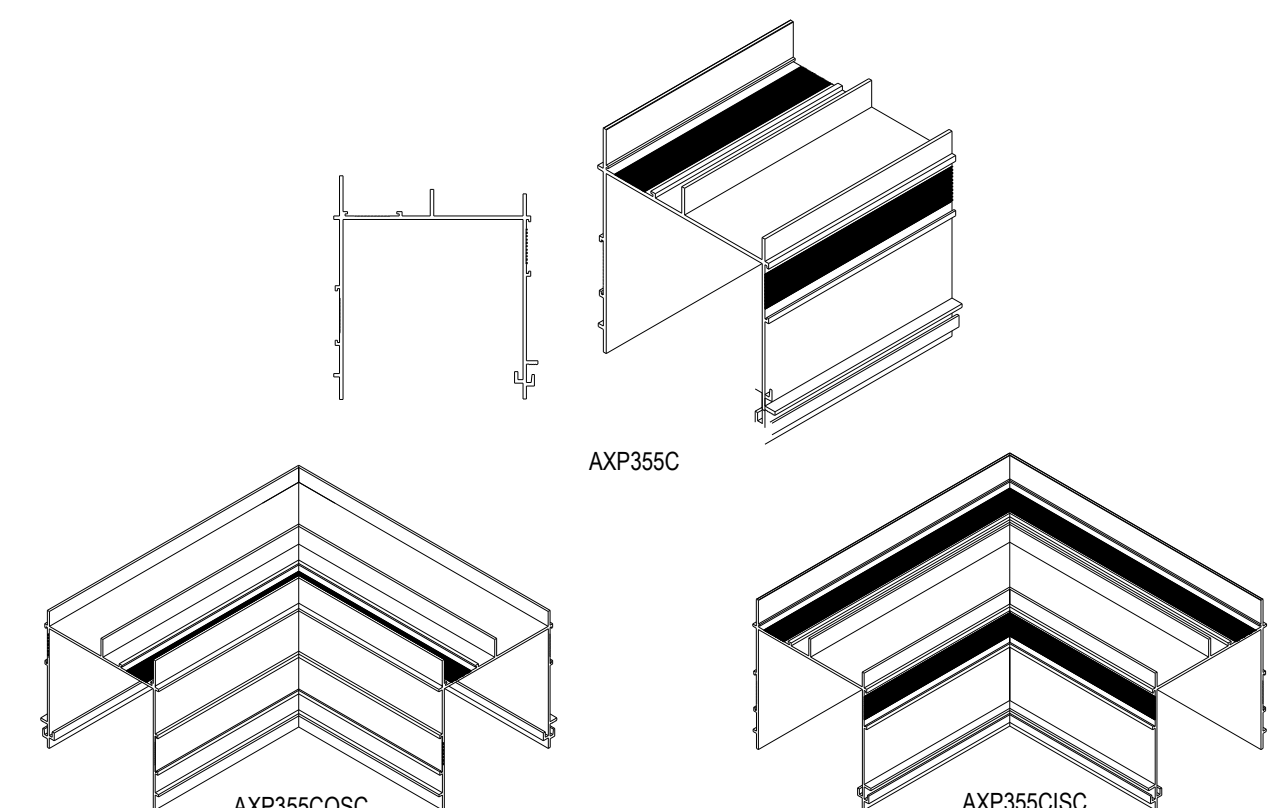
DD-003 AXIOM PERIMETER AXP236



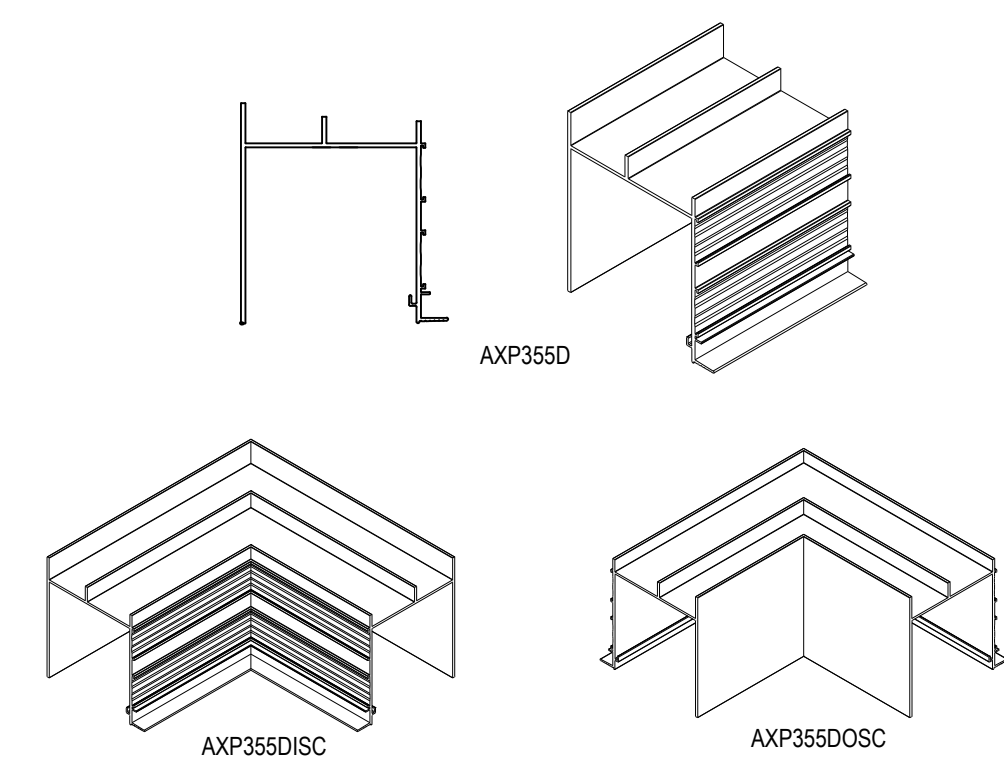
DD-004 AXIOM PERIMETER AXP355



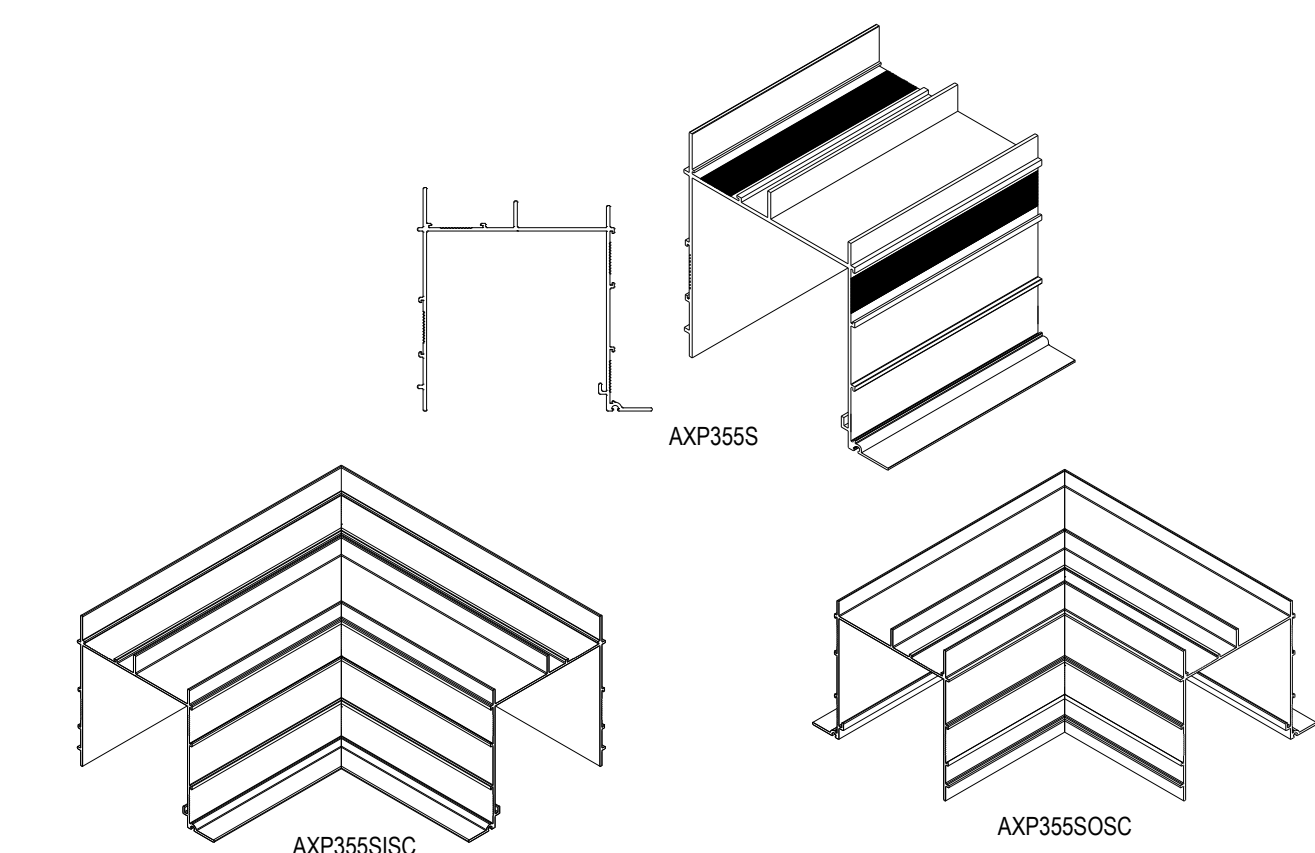
DD-005 AXIOM PERIMETER AXP3552



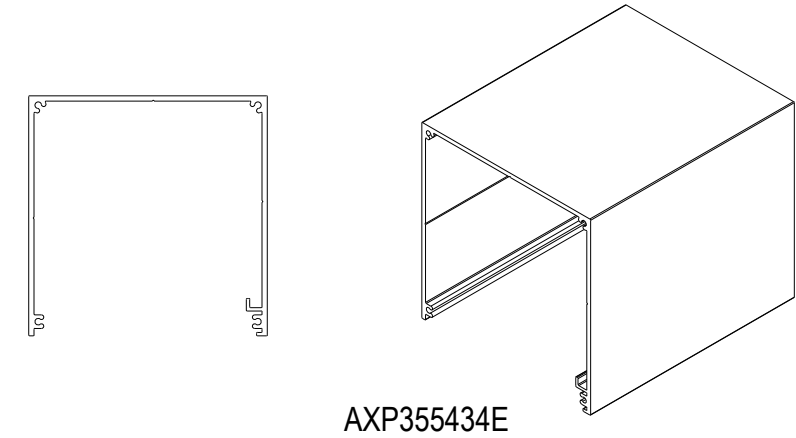
DD-006 AXIOM PERIMETER AXP355C



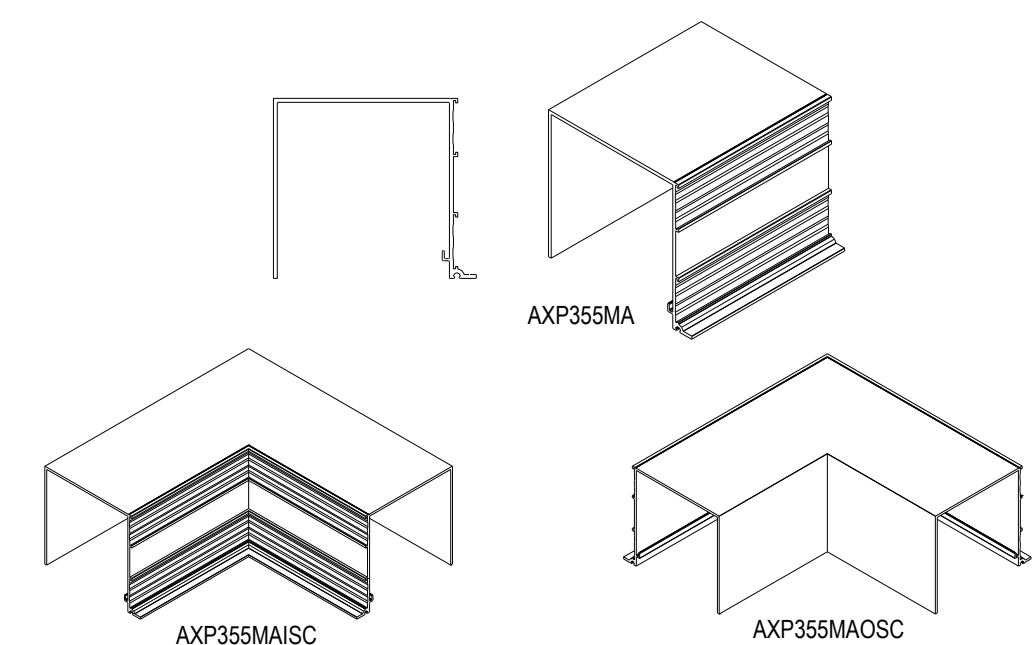
DD-007 AXIOM PERIMETER AXP355D



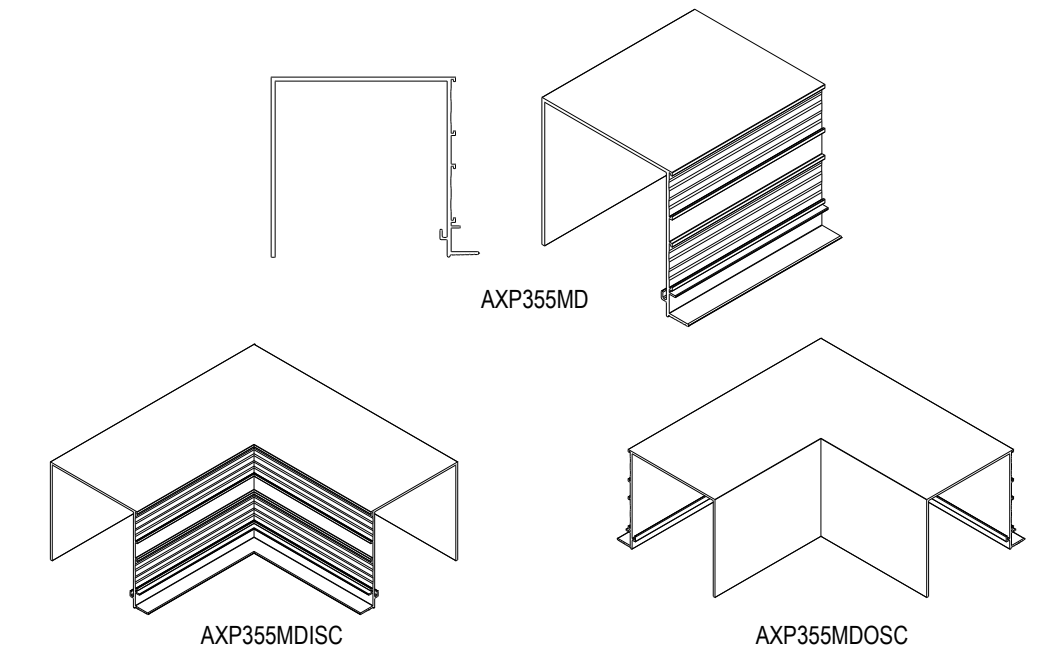
DD-008 AXIOM PERIMETER AXP355S



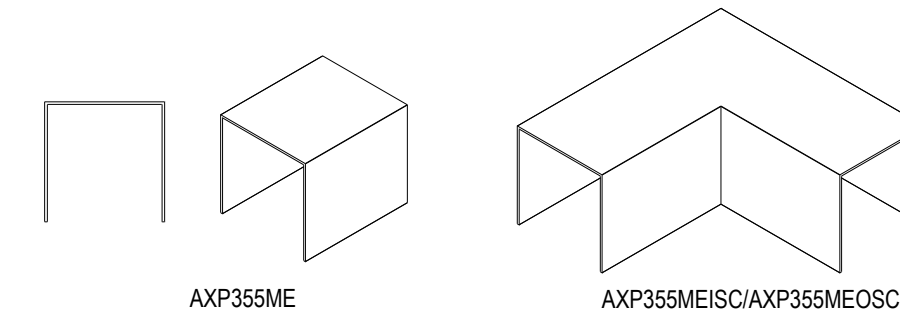
DD-009 AXIOM PERIMETER AXP35434E



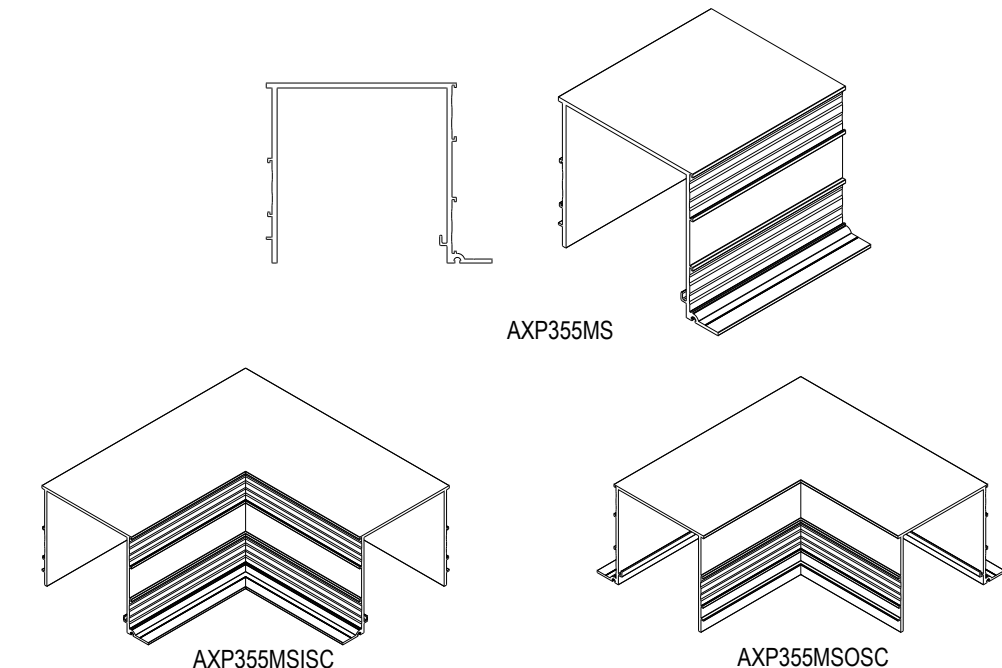
DD-010 AXIOM PERIMETER AXP355MA



DD-011 AXIOM PERIMETER AXP355MD



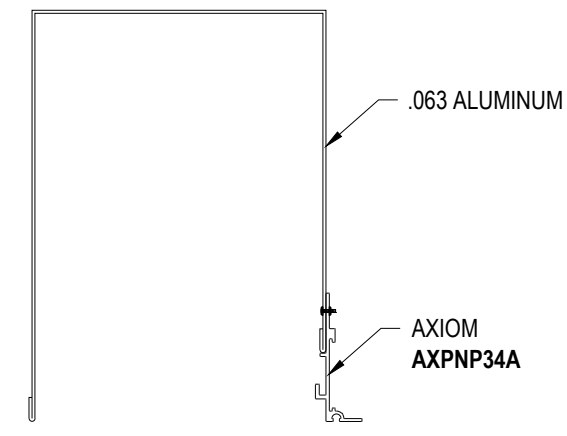
DD-012 AXIOM PERIMETER AXP355ME



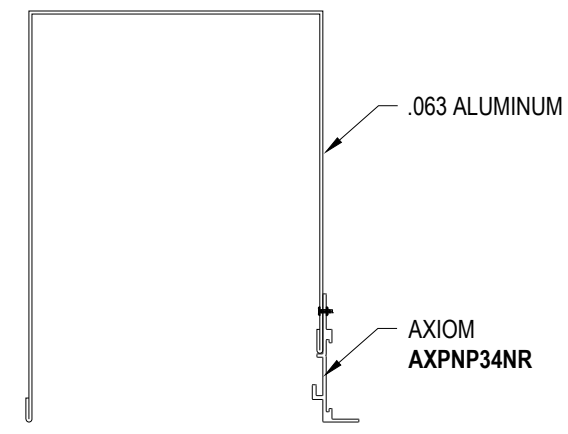
DD-013 AXIOM PERIMETER AXP355MS

<small>These drawings show typical conditions in which the Armstrong product depicted is installed. They are not a substitute for an architect's or engineer's plan and do not reflect the unique requirements of local building codes, laws, ordinances, rules and regulations (Legal Requirements) that may be applicable for a particular installation.</small>		PROJECT NAME: AXIOM BUILDING PERIMETER SYSTEM MASTER SHEET	
<small>Armstrong does not warrant, and assumes no liability for the accuracy or completeness of the drawings for a particular installation or their fitness for a particular purpose. The user is advised to consult with a duly licensed architect or engineer in the particular locale of the installation to assure compliance with all Legal Requirements.</small>	<small>Armstrong is not licensed to provide professional architecture or engineering design services.</small>	DWG. NO.: A-A010-MS-01	REV.: . DATE: .
		DATE: 1/30/25	SCALE: . DESC.: .
		DRAWN BY: DAG	CHK BY: .
Techn		<small>ARMSTRONG CEILING SYSTEMS * ARMSTRONG WORLD INDUSTRIES, INC. * Lancaster, PA * Phone: 877-ARMSTRONG</small>	

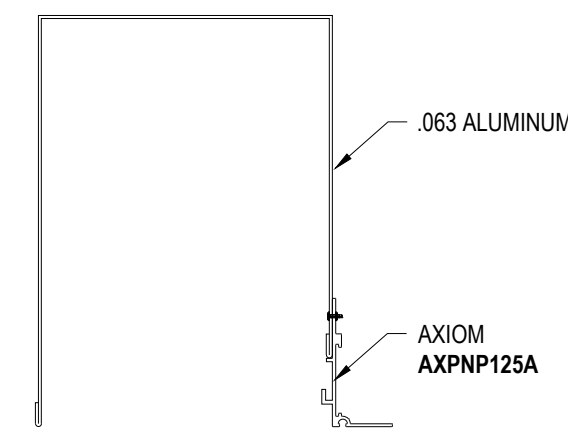




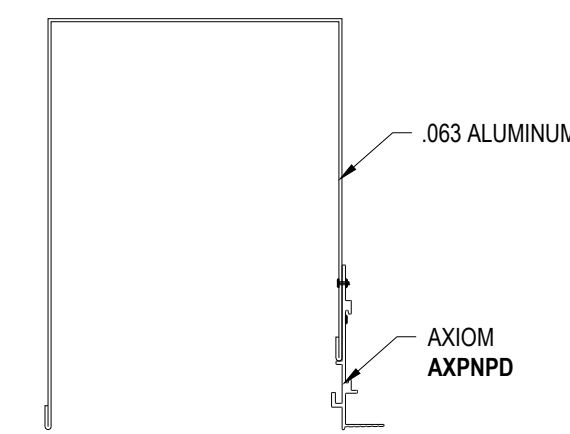
DD-014 AXIOM PERIMETER AXP3685A



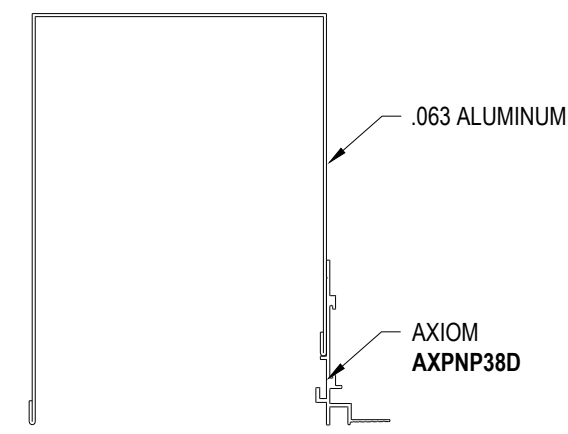
DD-015 AXIOM PERIMETER AXP3685AN



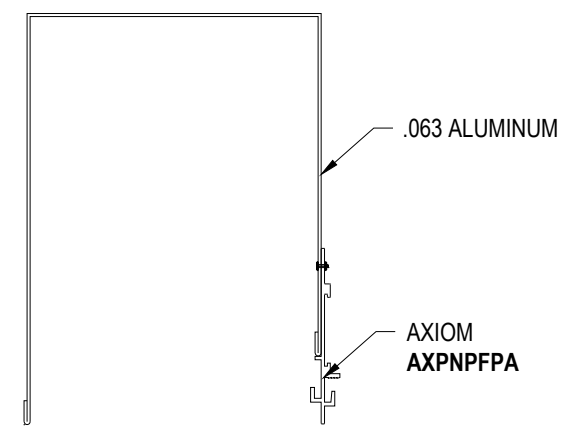
DD-016 AXIOM PERIMETER AXP3685S



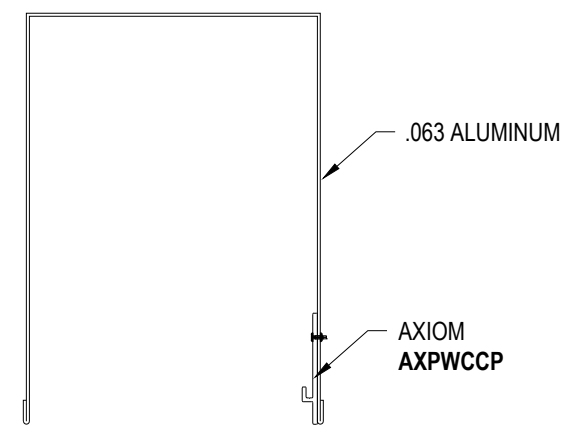
DD-017 AXIOM PERIMETER AXP3685D



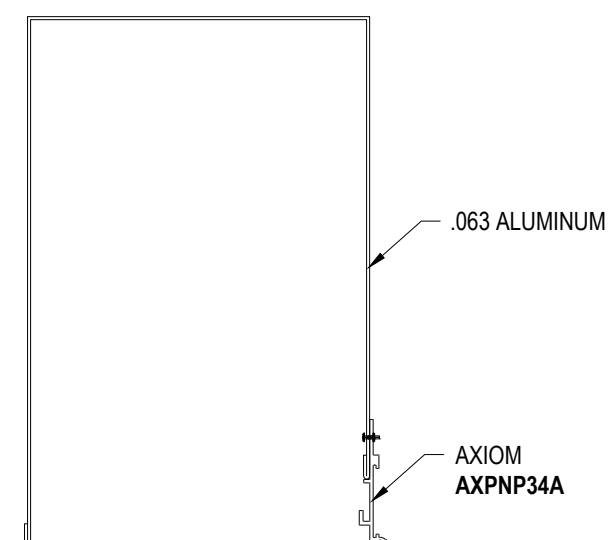
DD-018 AXIOM PERIMETER AXP3685DR



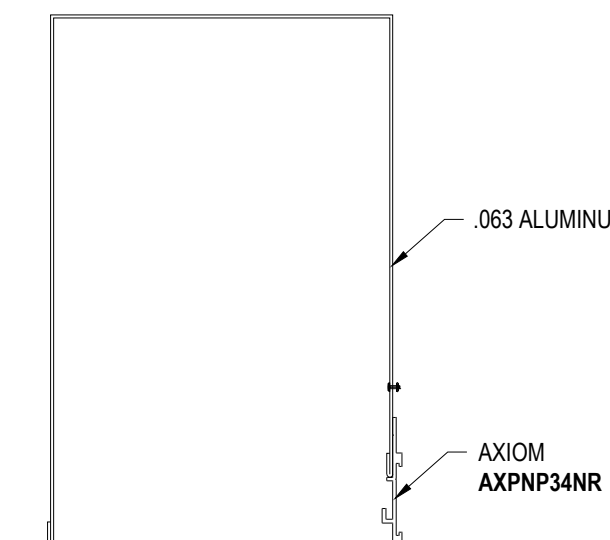
DD-019 AXIOM PERIMETER AXP3685F



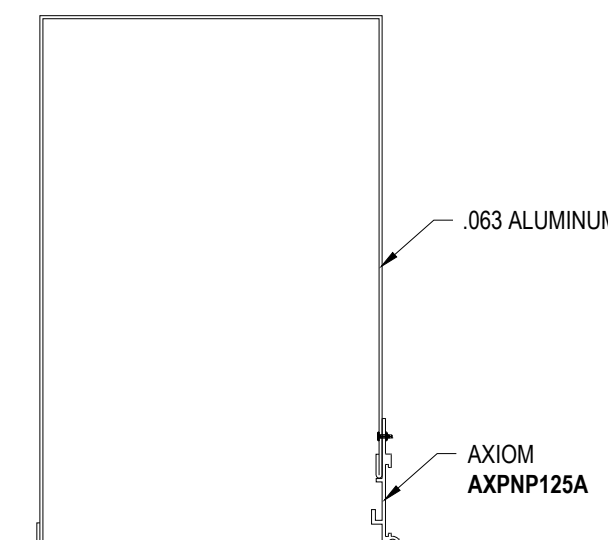
DD-020 AXIOM PERIMETER AXP3685WC



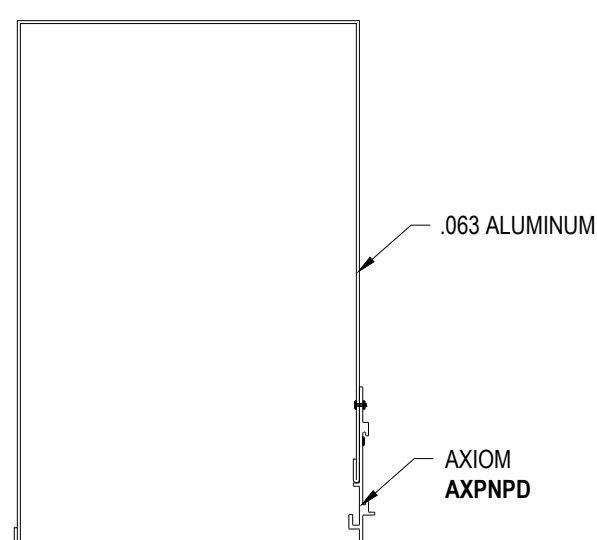
DD-021 AXIOM PERIMETER AXP3711A



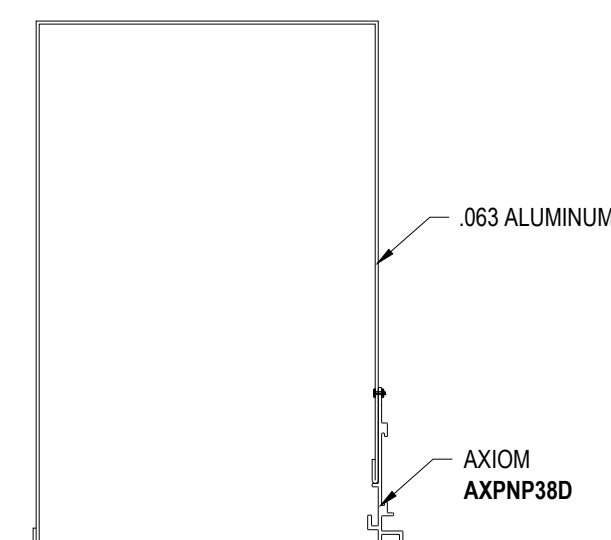
DD-022 AXIOM PERIMETER AXP3711AN



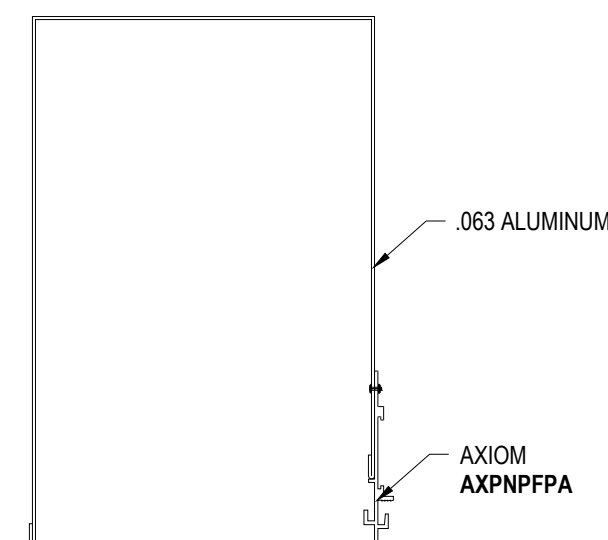
DD-023 AXIOM PERIMETER AXP3711S



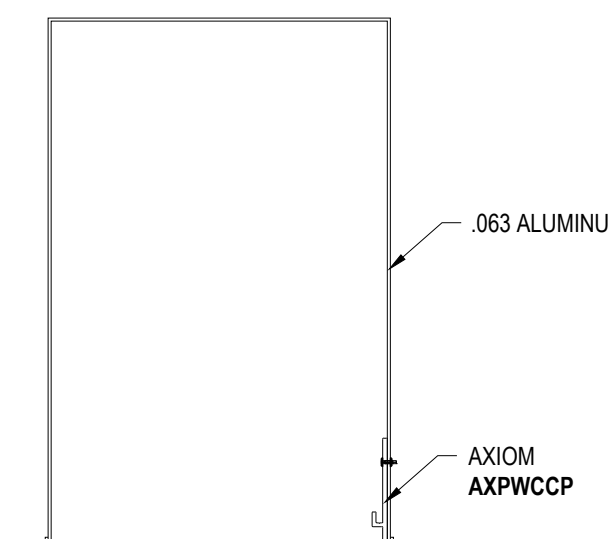
DD-024 AXIOM PERIMETER AXP3711D



DD-025 AXIOM PERIMETER AXP3711DR



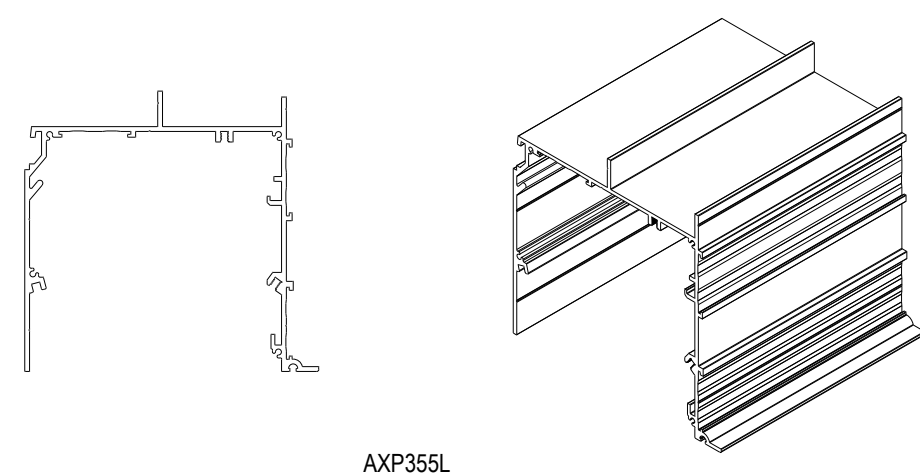
DD-026 AXIOM PERIMETER AXP3711F



DD-027 AXIOM PERIMETER AXP3711WC

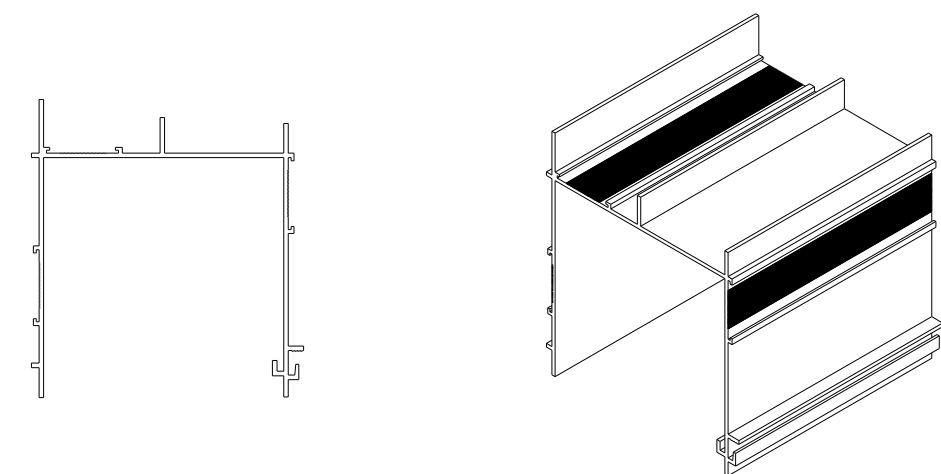
<small>These drawings show typical conditions in which the Armstrong product depicted is installed. They are not a substitute for an architect's or engineer's plan and do not reflect the unique requirements of local building codes, laws, ordinances, rules and regulations (Legal Requirements) that may be applicable for a particular installation.</small> <small>Armstrong does not warrant, and assumes no liability for the accuracy or completeness of the drawings for a particular installation or their fitness for a particular purpose. The user is advised to consult with a duly licensed architect or engineer in the particular locale of the installation to assure compliance with all Legal Requirements.</small> <small>Armstrong is not licensed to provide professional architecture or engineering design services.</small>		PROJECT NAME: AXIOM BUILDING PERIMETER SYSTEM MASTER SHEET	
DWG. NO: A-A010-MS-02	DATE: 1/30/25	REV: .	DATE: .
DRAWN BY: DAG	SCALE:	CHK BY:	DESC.:
Techn		<small>ARMSTRONG CEILING SYSTEMS * ARMSTRONG WORLD INDUSTRIES, INC. * Lancaster, PA * Phone: 877-ARMSTRONG</small>	





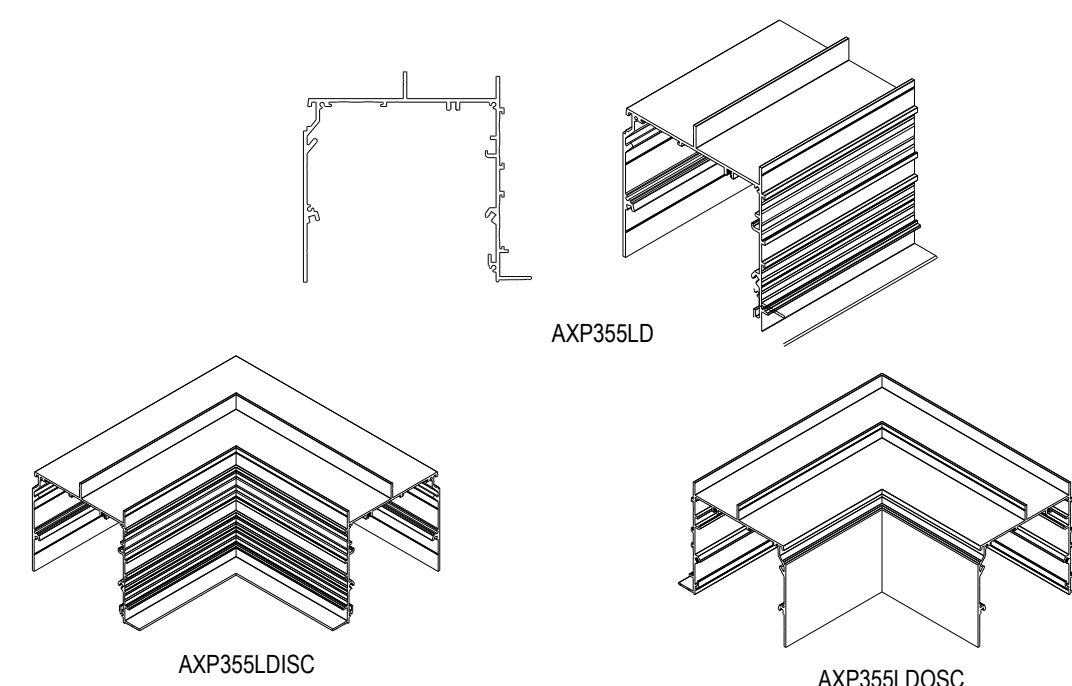
AXP355L

DD-028 AXIOM PERIMETER AXP355L



AXP355LC

DD-029 AXIOM PERIMETER AXP355LC

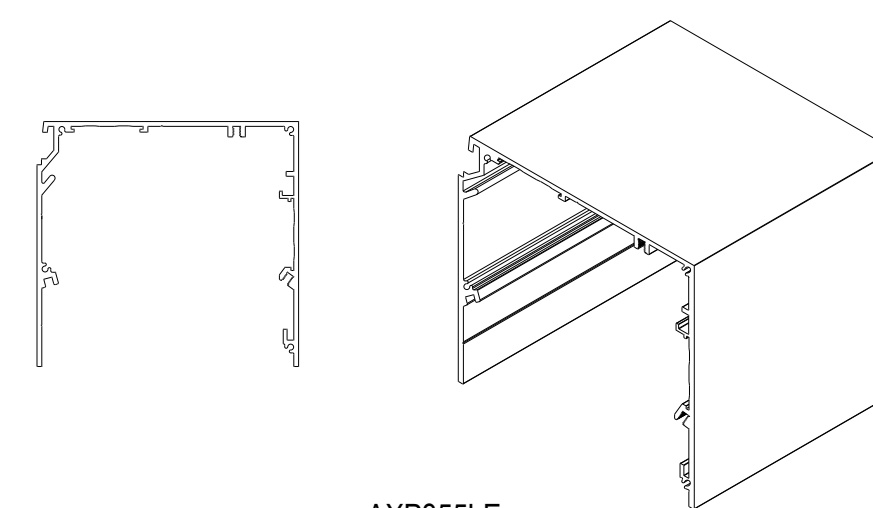


AXP355LD

AXP355LDISC

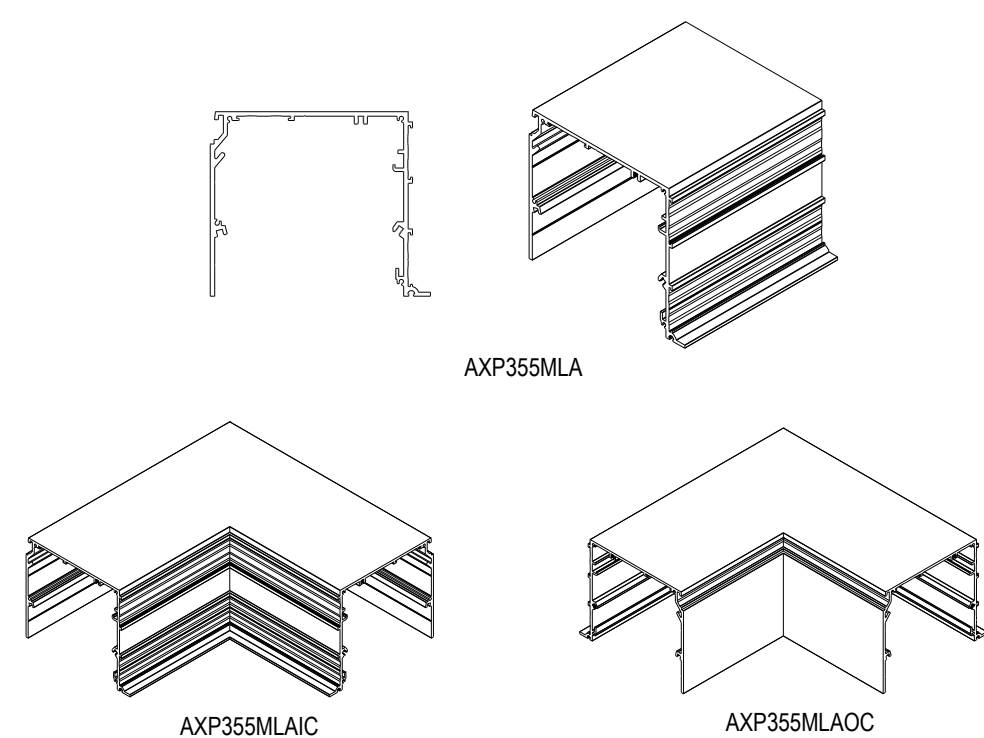
AXP355LDOSC

DD-030 AXIOM PERIMETER AXP355LD



AXP355LE

DD-031 AXIOM PERIMETER AXP355LE

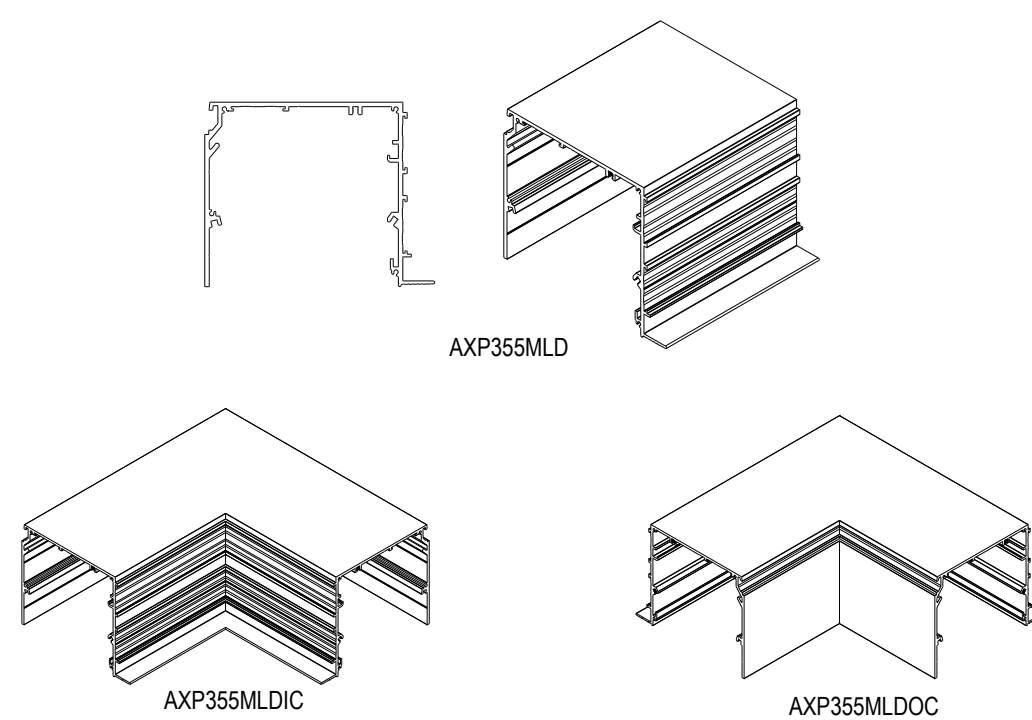


AXP355MLA

AXP355MLAIC

AXP355MLAOC

DD-032 AXIOM PERIMETER AXP355MLA

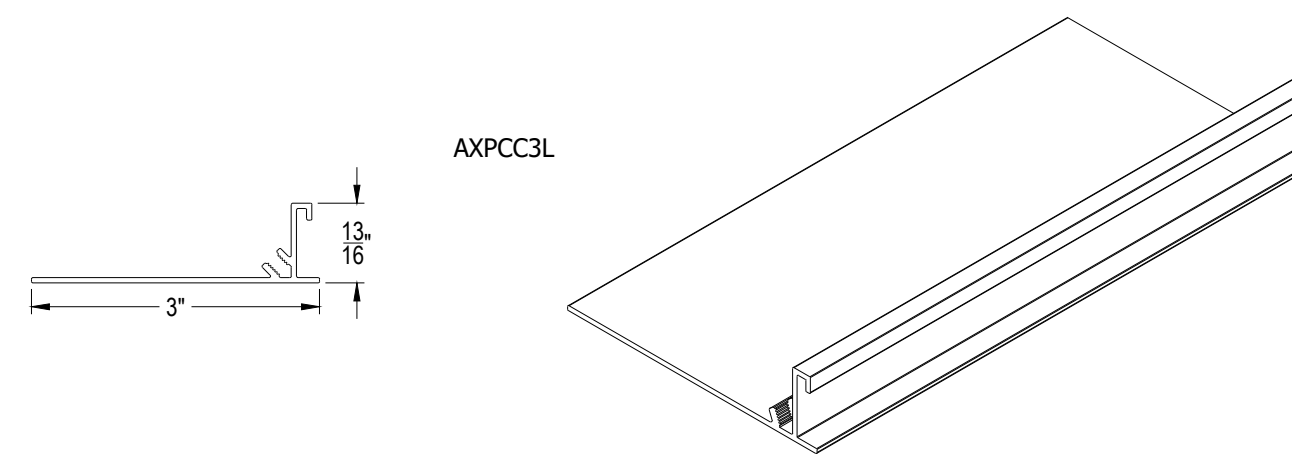


AXP355MLD

AXP355MLDIC

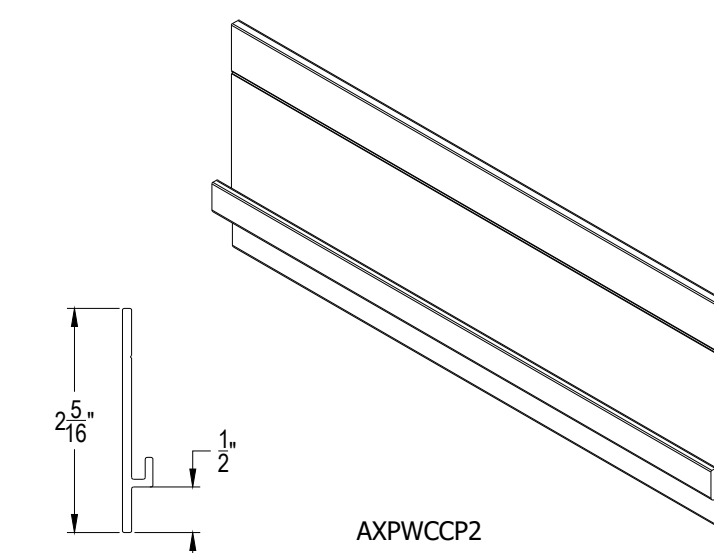
AXP355MLDOC

DD-033 AXIOM PERIMETER AXP355MLD



AXPCC3L

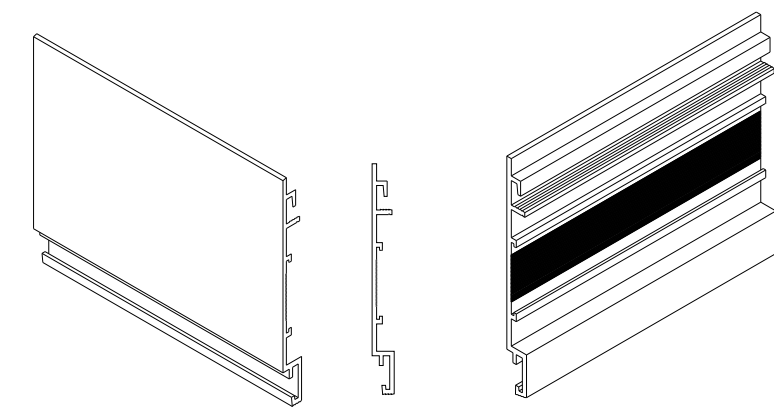
DD-034 AXIOM PERIMETER LUTRON CLOSURE CLIP AXPCC3L



AXPWCCP2

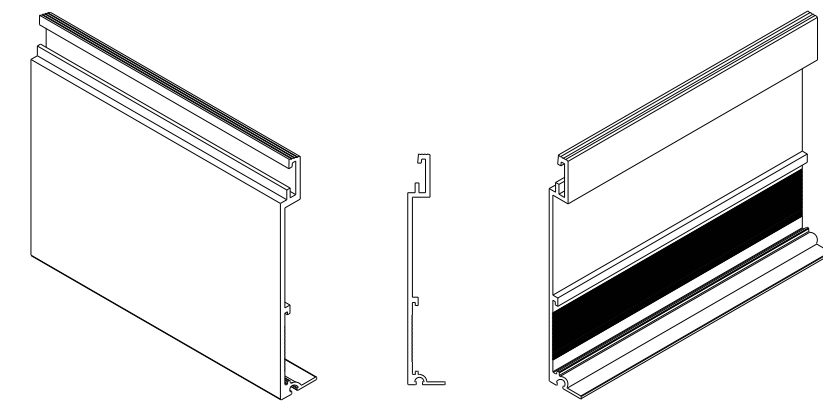
DD-035 AXIOM WALL CLOSURE CLIP AXPWCCP2

<small>These drawings show typical conditions in which the Armstrong product depicted is installed. They are not a substitute for an architect's or engineer's plan and do not reflect the unique requirements of local building codes, laws, ordinances, rules and regulations (Legal Requirements) that may be applicable for a particular installation.</small>		PROJECT NAME: AXIOM BUILDING PERIMETER SYSTEM MASTER SHEET	
<small>Armstrong does not warrant, and assumes no liability for the accuracy or completeness of the drawings for a particular installation or their fitness for a particular purpose. The user is advised to consult with a duly licensed architect or engineer in the particular locale of the installation to assure compliance with all Legal Requirements.</small>		DWG. NO: A-A010-MS-03	REV: . . DATE: . .
<small>Armstrong is not licensed to provide professional architecture or engineering design services.</small>		DATE: 1/30/25	SCALE: . .
Tech		DRAWN BY: DAG	CHK BY: . .
<small>ARMSTRONG CEILING SYSTEMS * ARMSTRONG WORLD INDUSTRIES, INC. * Lancaster, PA * Phone: 877-ARMSTRONG</small>			



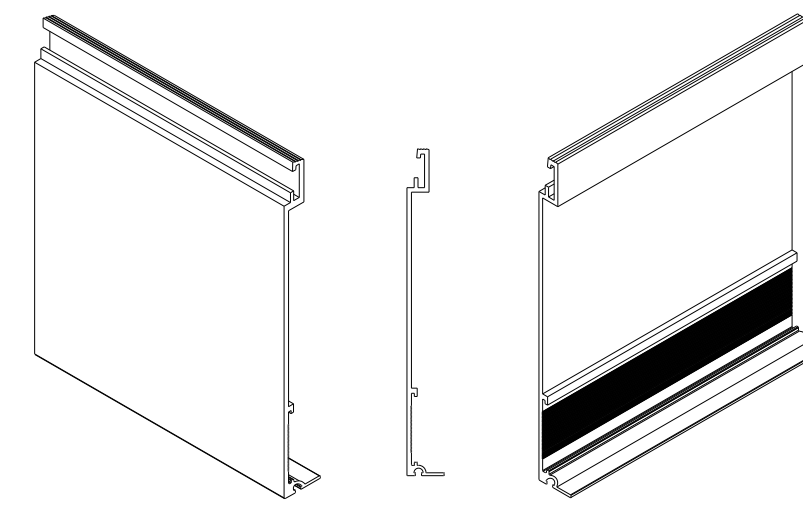
AXPEPH

DD-036 AXIOM PERIMETER EXTENSION AXPEPH



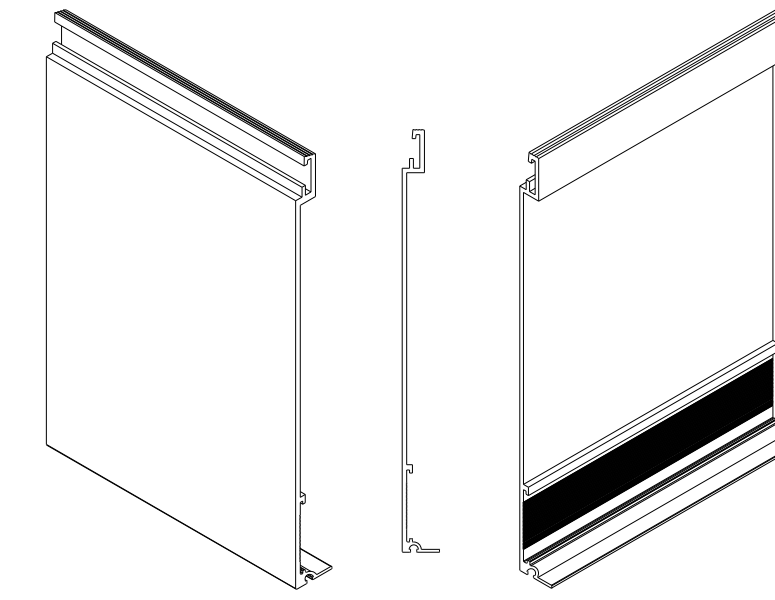
AXPEP4

DD-037 AXIOM PERIMETER EXTENSION AXPEP4



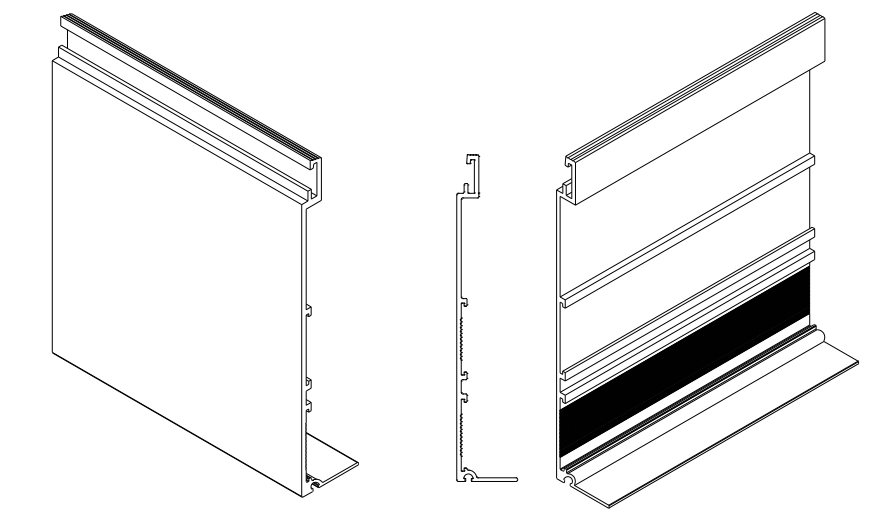
AXPEP6

DD-038 AXIOM PERIMETER EXTENSION AXPEP6



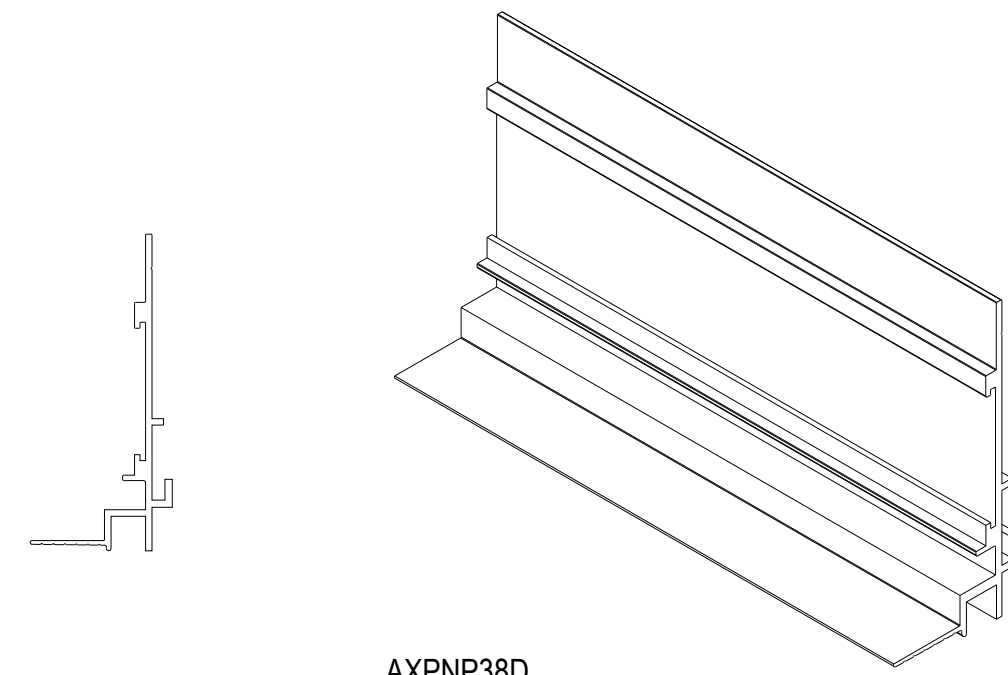
AXPEP8

DD-039 AXIOM PERIMETER EXTENSION AXPEP8



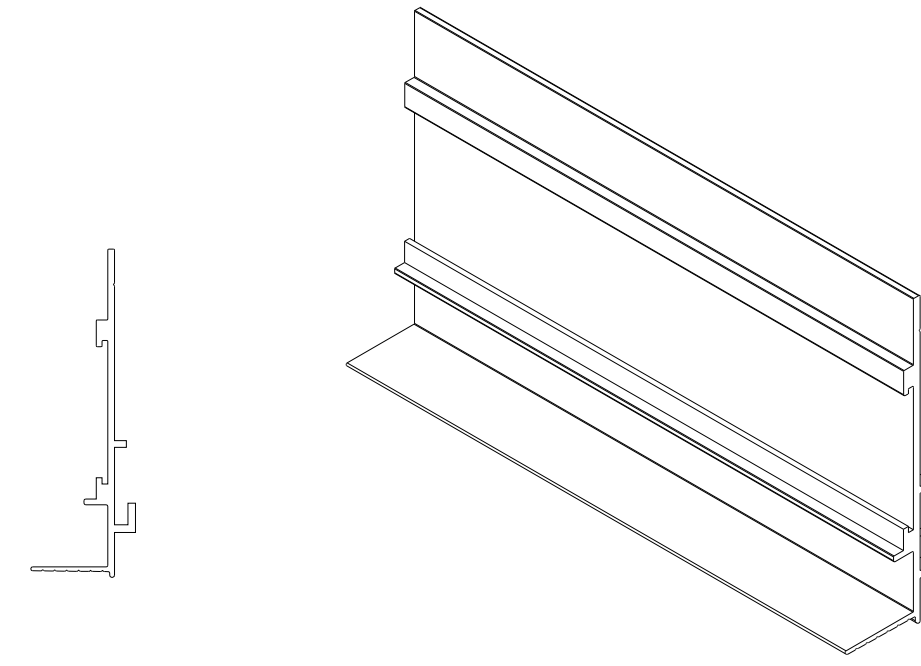
AXPEP6

DD-040 AXIOM PERIMETER EXTENSION AXPEP6



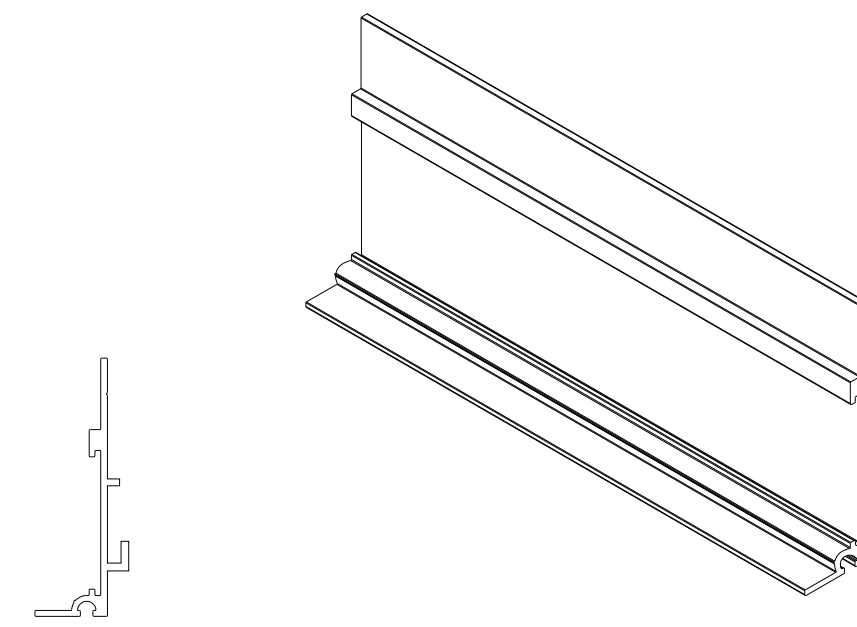
AXPNP38D

DD-041 AXIOM POCKETLESS DRYWALL REVEAL AXPNP38D



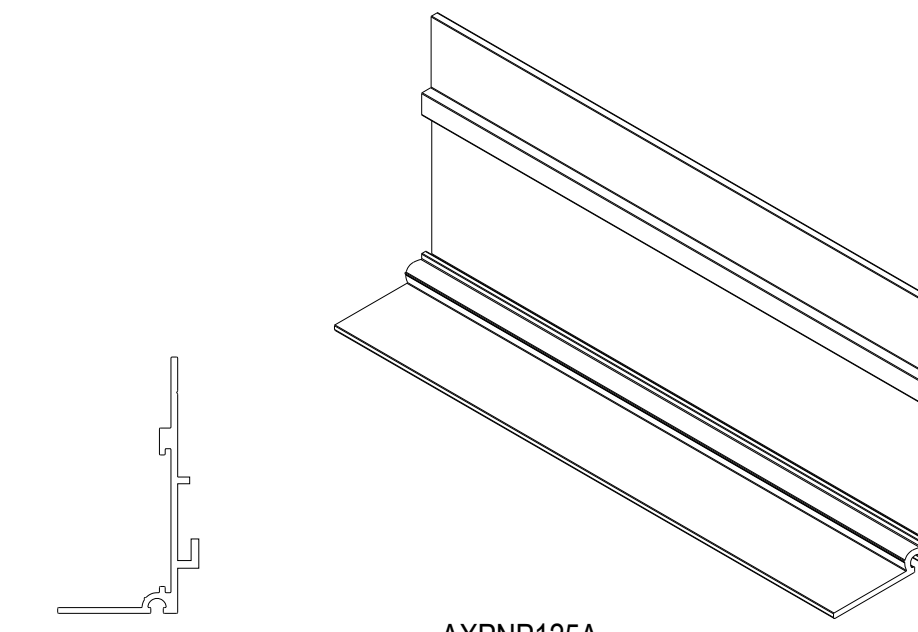
AXPNPD

DD-042 AXIOM POCKETLESS DRYWALL FLANGE AXPNPD



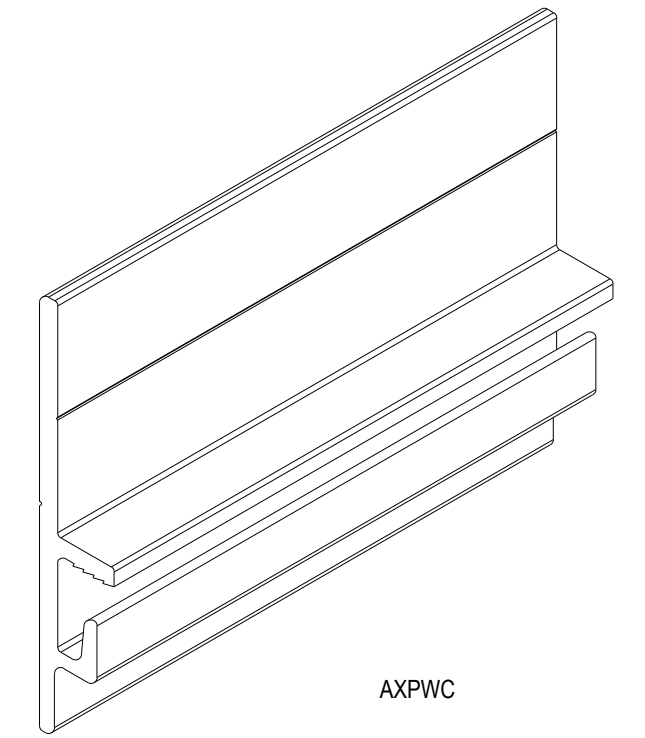
AXPNP34A

DD-043 AXIOM POCKETLESS ACOUSTICAL FLANGE AXPNP34A



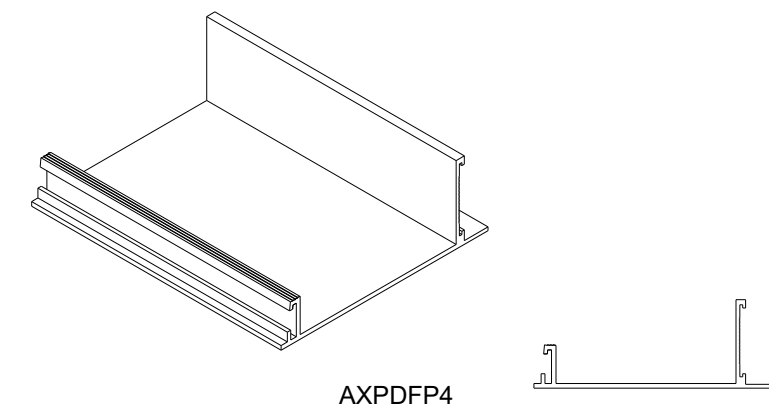
AXPNP125A

DD-044 AXIOM POCKETLESS SEISMIC FLANGE AXPNP125A



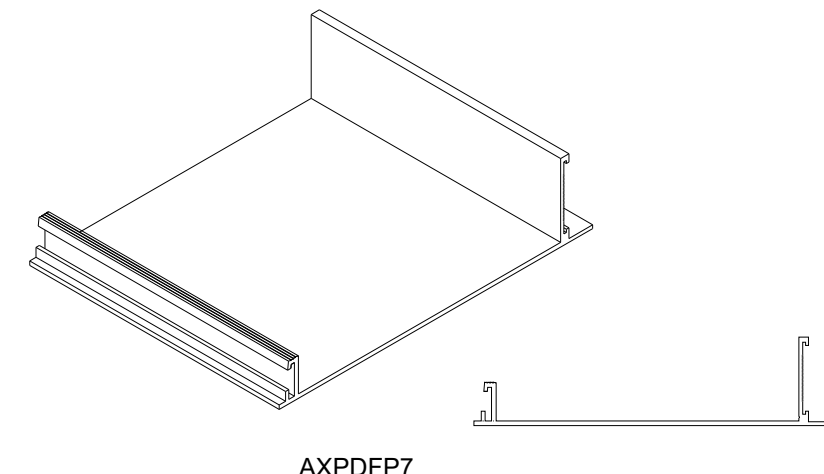
AXPWC

DD-045 AXIOM WALL CLIP AXPWC



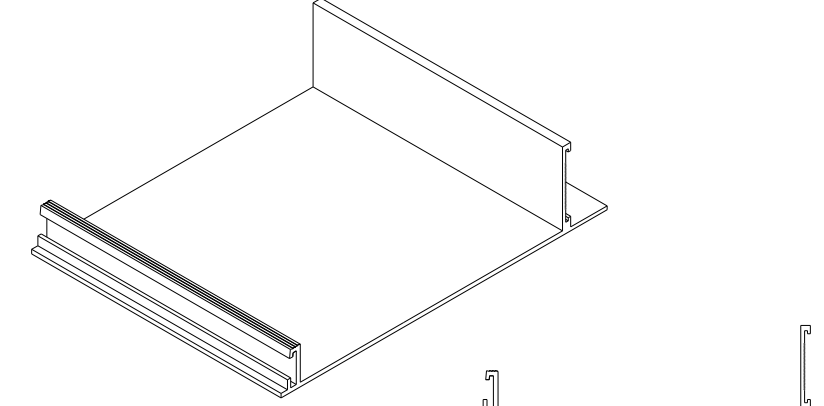
AXPDPF4

DD-046 AXIOM FACE PLATE AXPDPF4



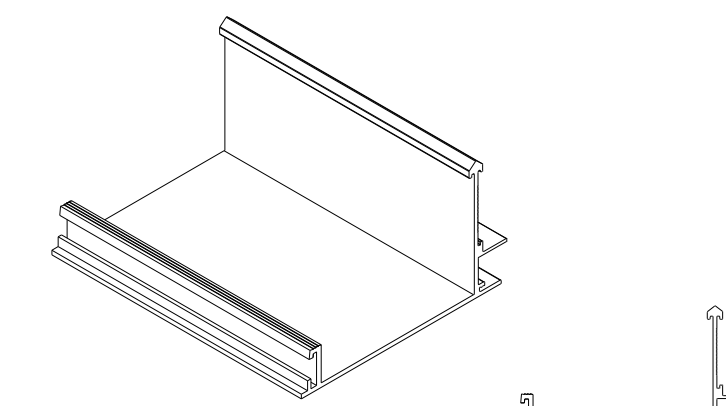
AXPDPF7

DD-047 AXIOM FACE PLATE AXPDPF7



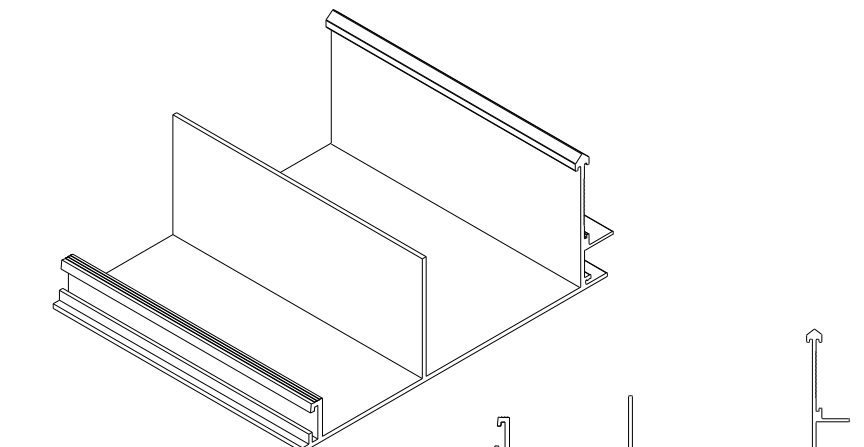
AXPDPF57

DD-048 AXIOM FACE PLATE AXPDPF57



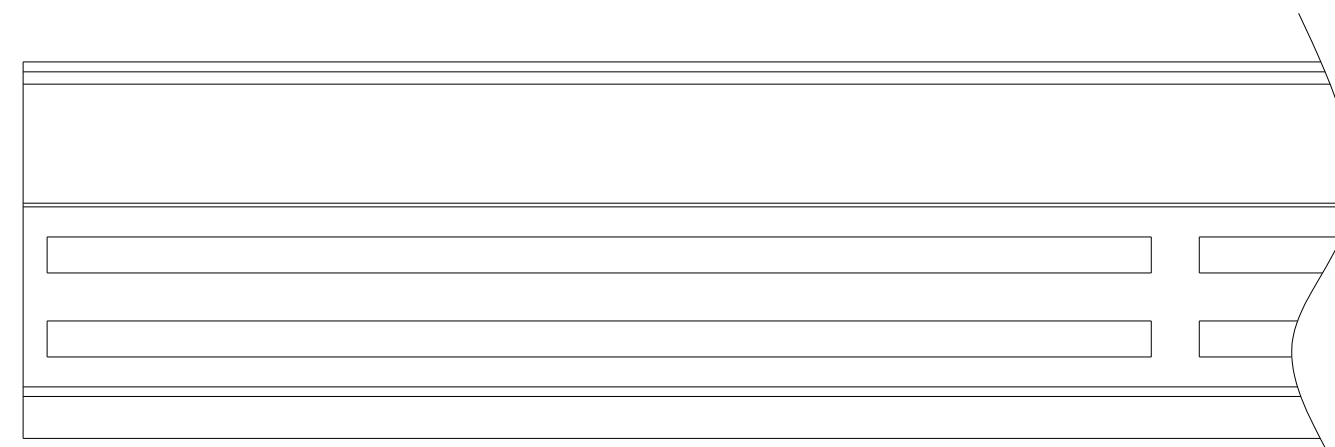
AXPDPF4DT

DD-049 AXIOM FACE PLATE AXPDPF4DT



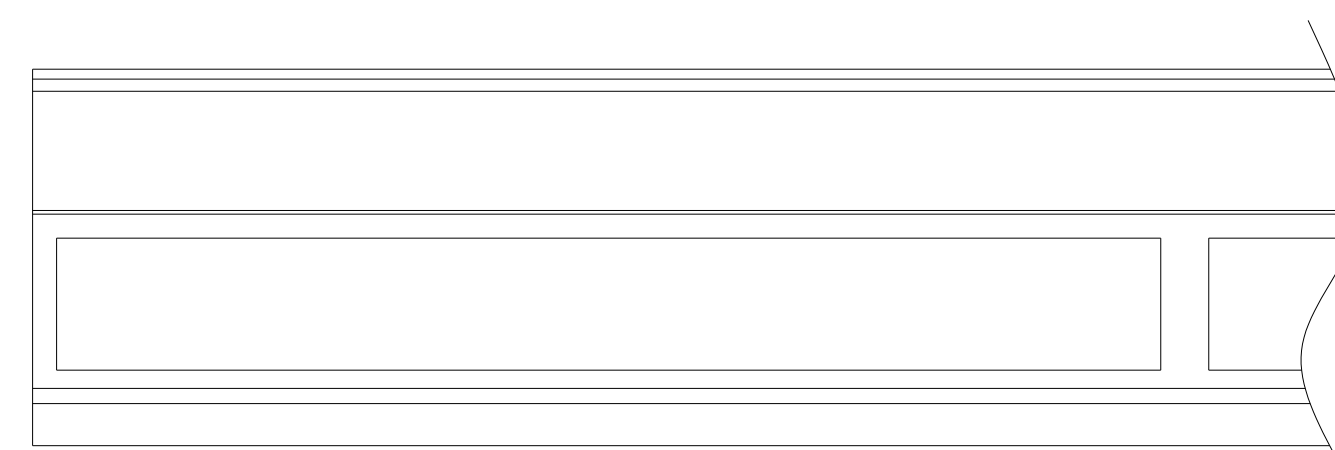
AXPDPF7DT

DD-050 AXIOM FACE PLATE AXPDPF7DT



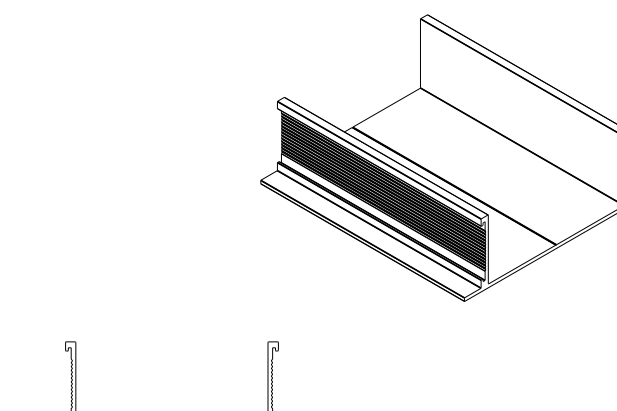
AXPDPF57SLA

DD-051 AXIOM FACE PLATE AXPDPF57SLA



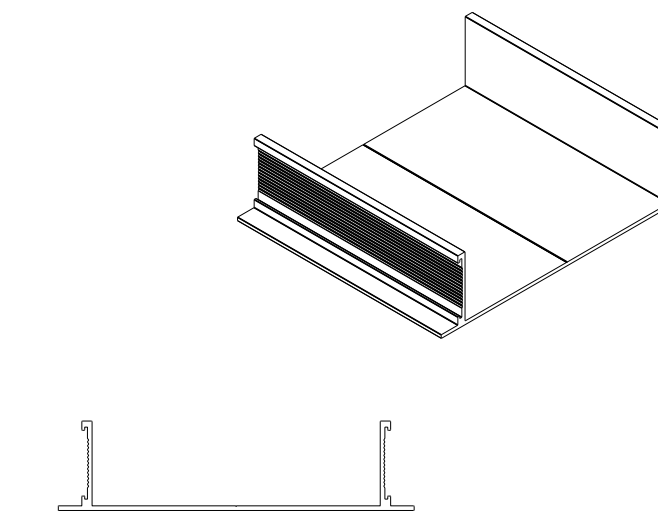
AXPDPF57SLB

DD-052 AXIOM FACE PLATE AXPDPF57SLB



AXFFP4

DD-053 AXIOM FIELD FACE PLATE AXFFP4

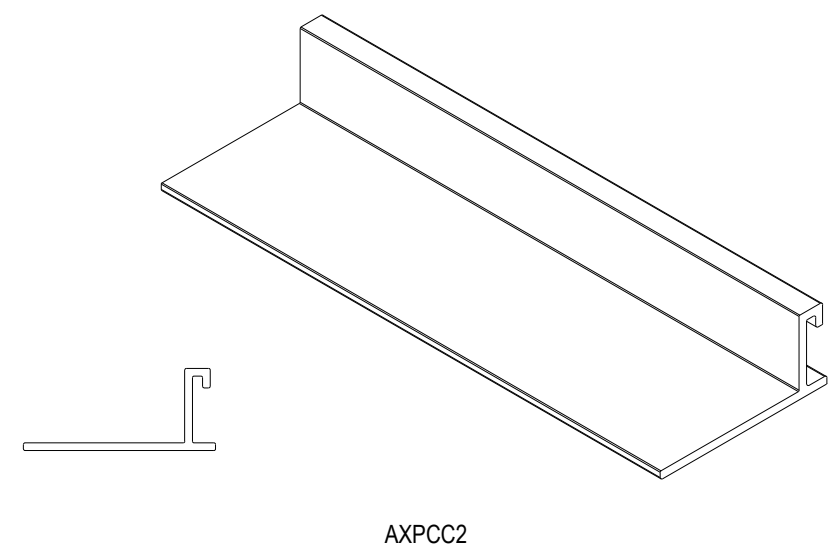


AXFFP6

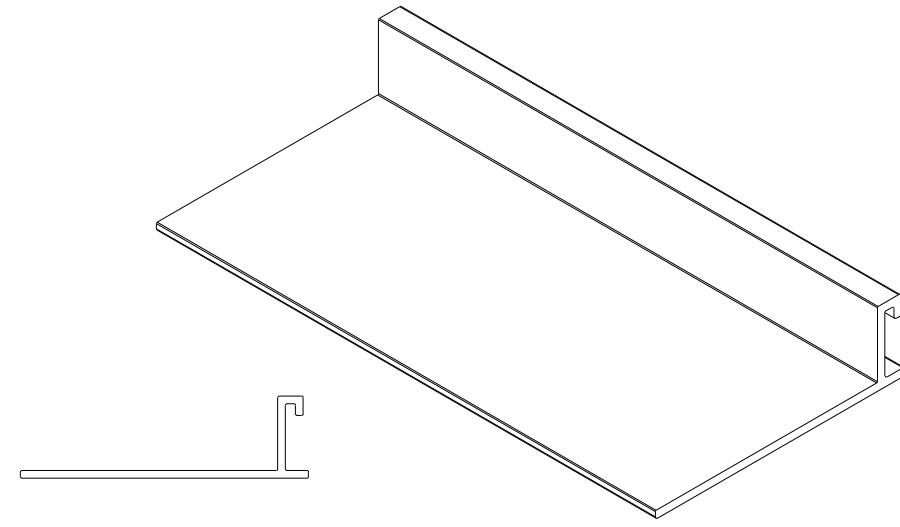
DD-054 AXIOM FIELD FACE PLATE AXFFP6

These drawings show typical conditions in which the Armstrong product depicted is installed. They are not a substitute for an architect's or engineer's plan and do not reflect the unique requirements of local building codes, laws, ordinances, rules and regulations (Legal Requirements) that may be applicable for a particular installation. Armstrong does not warrant, and assumes no liability for the accuracy or completeness of the drawings for a particular installation or their fitness for a particular purpose. The user is advised to consult with a duly licensed architect or engineer in the particular locale of the installation to assure compliance with all Legal Requirements. Armstrong is not licensed to provide professional architecture or engineering design services.

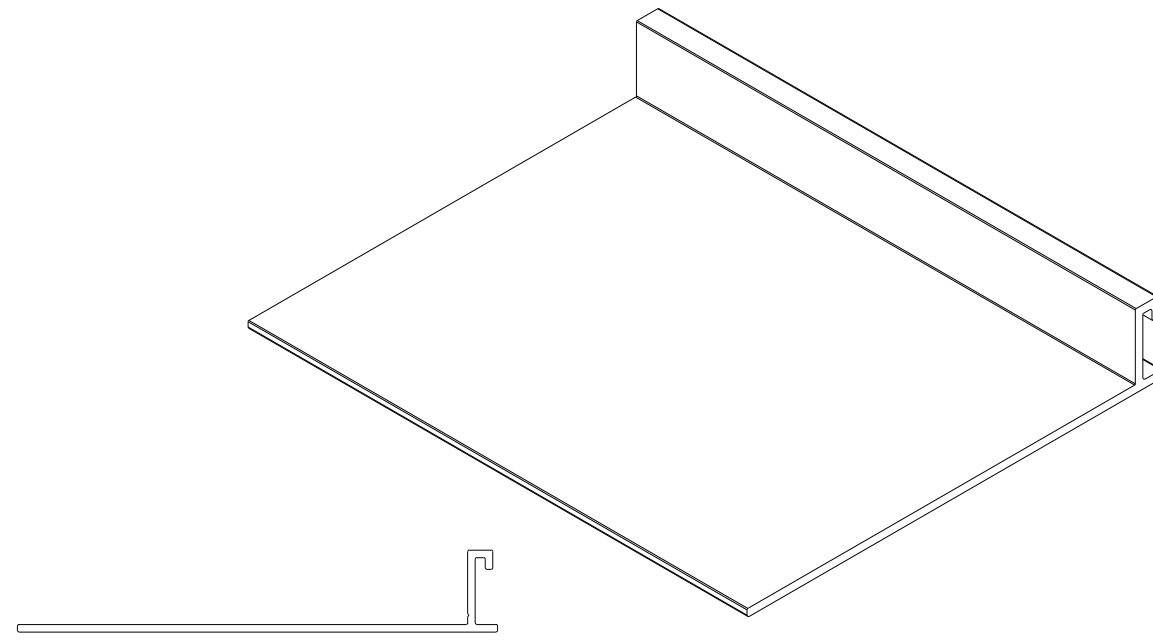
PROJECT NAME: AXIOM BUILDING PERIMETER SYSTEM MASTER SHEET		REV: .	DATE: .
DWG. NO: A-A010-MS-04	SCALE:	DESC: .	
DATE: 1/30/25	DRAWN BY: DAG	CHK BY:	



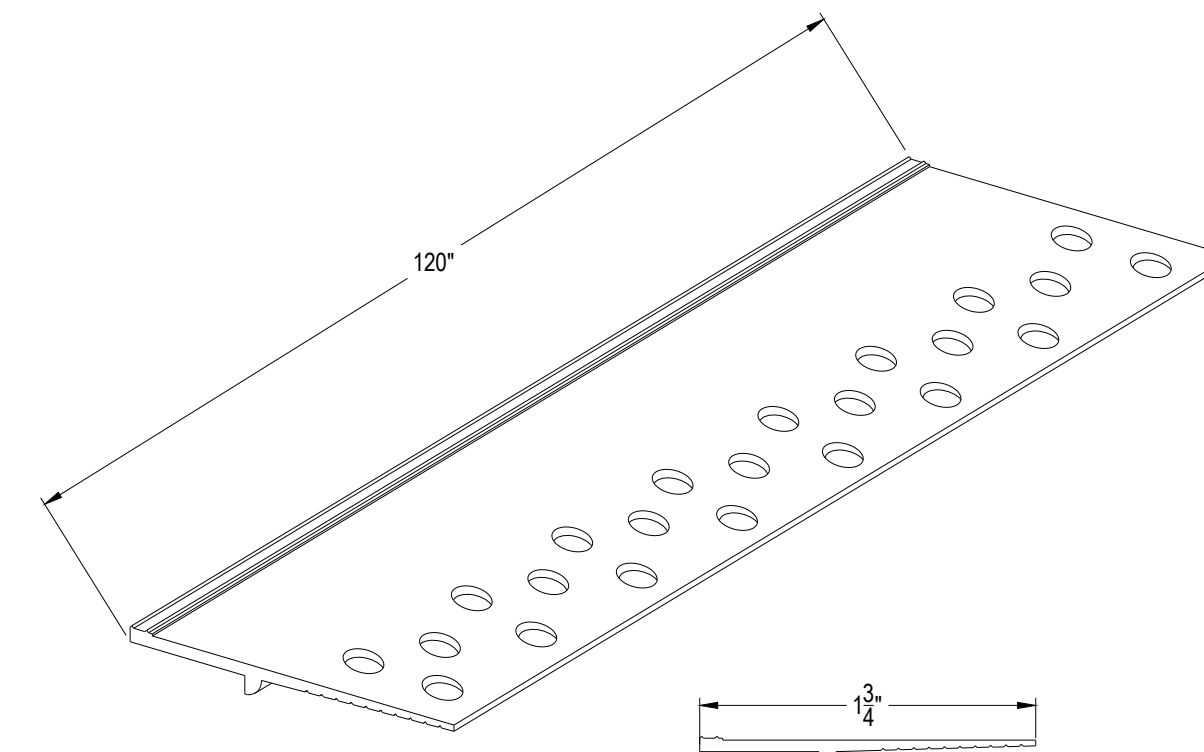
AXPC2



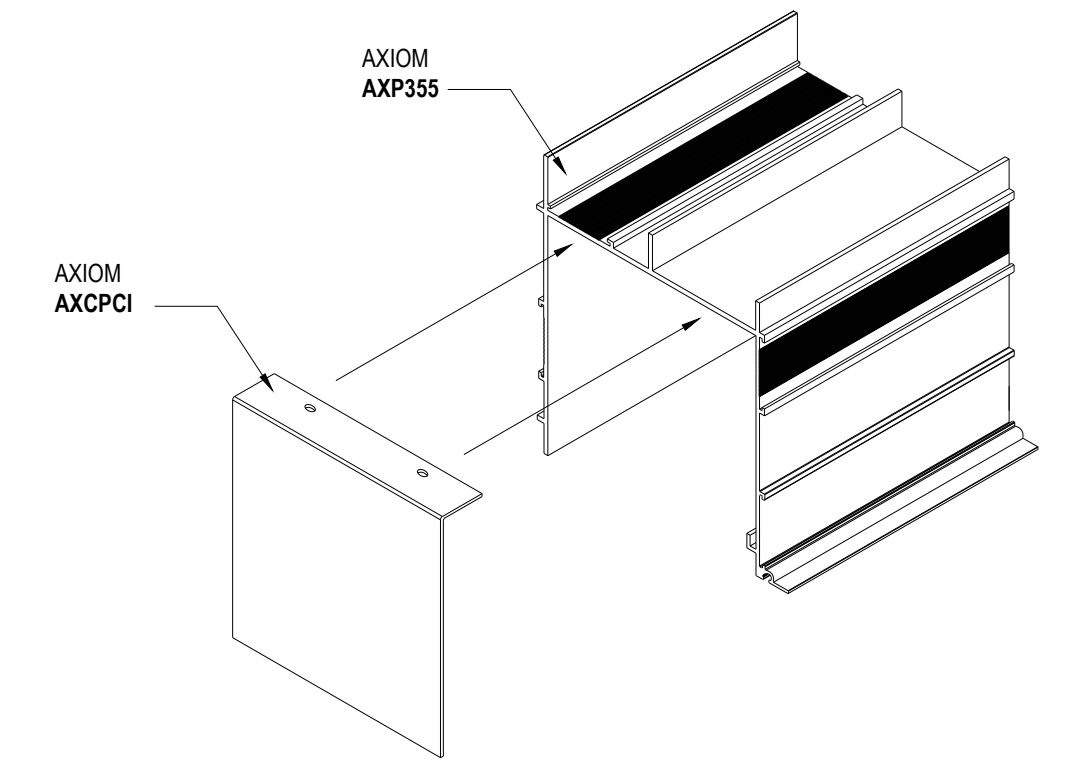
AXPC3



AXPC5



AXDWT



AXIOM
AXPC1

AXIOM
AXP355

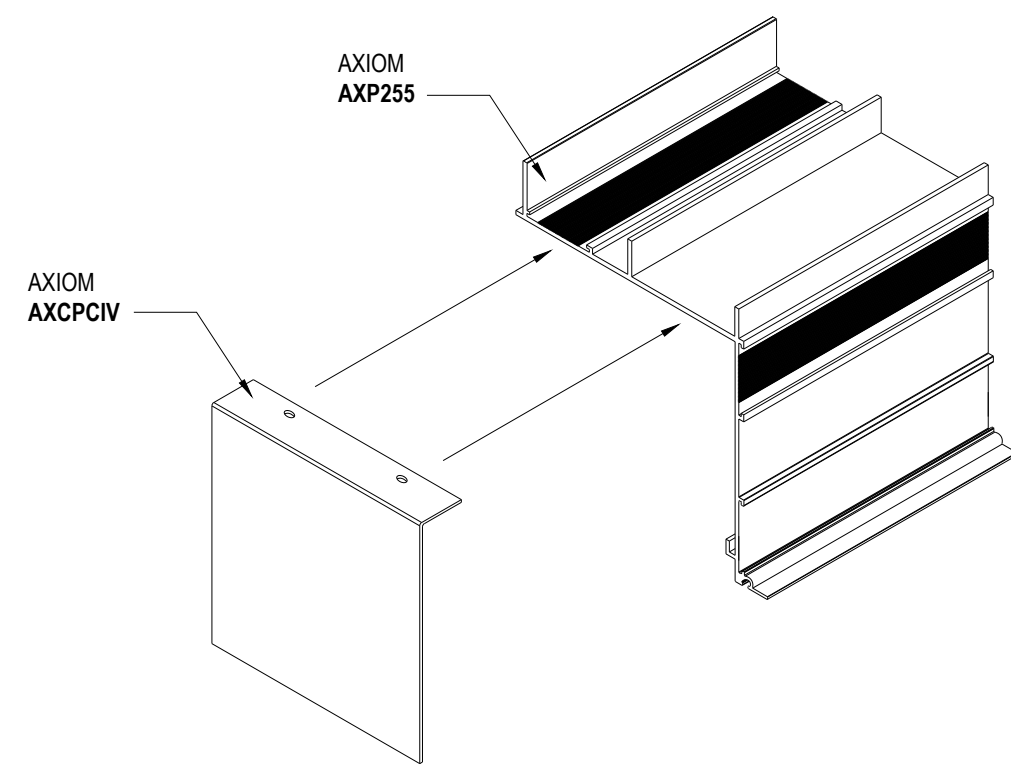
DD-055 AXIOM PERIMETER CLOSURE CLIP AXPC2

DD-056 AXIOM PERIMETER CLOSURE CLIP AXPC3

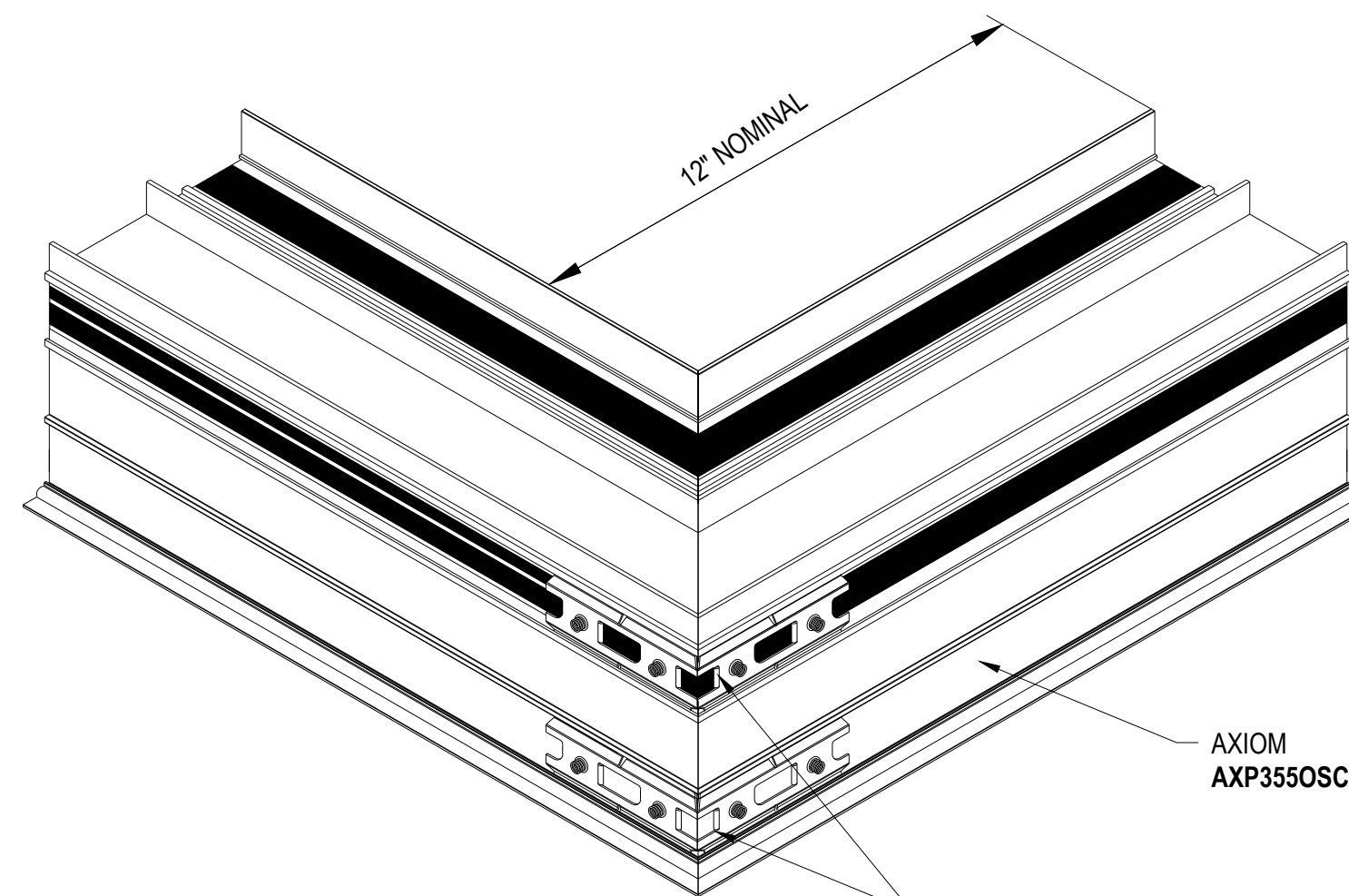
DD-057 AXIOM PERIMETER CLOSURE CLIP AXPC5

DD-058 AXIOM PROFILED TRIM AXDWT

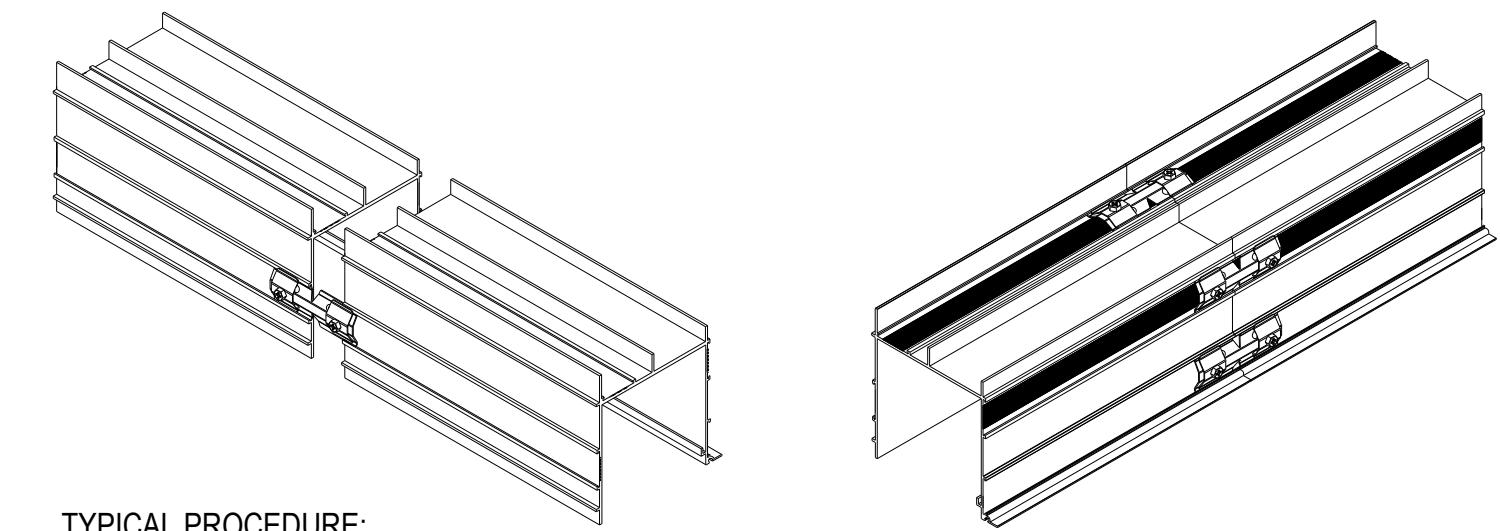
DD-059 AXIOM PERIMETER END PLATE AXPC1



DD-060 AXIOM PERIMETER END PLATE AXPCIV

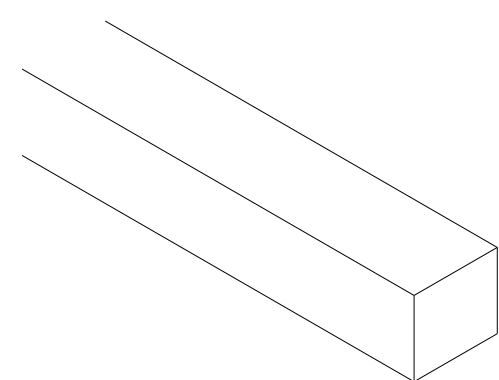


DD-061 AXIOM PERIMETER CORNER SPLICED

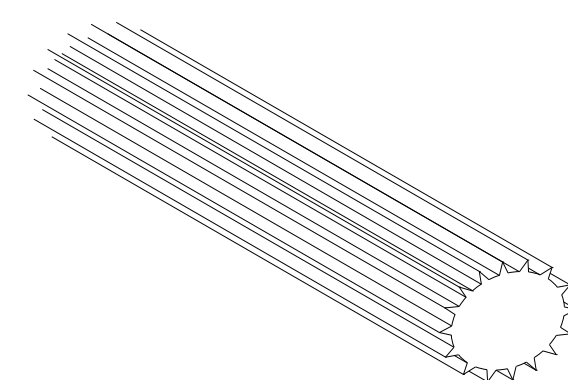


TYPICAL PROCEDURE:
1. INSERT SPLICES INTO CHANNEL TRIM BOSSES
2. CLOSE THE JOINT
3. TIGHTEN THE SCREWS

DD-062 AXIOM PERIMETER SPLICE INSTALLATION



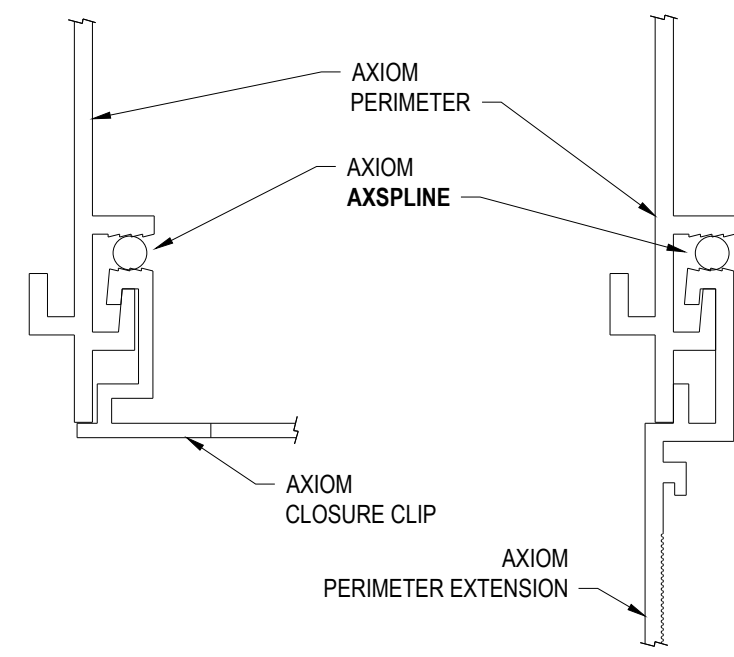
AXPF



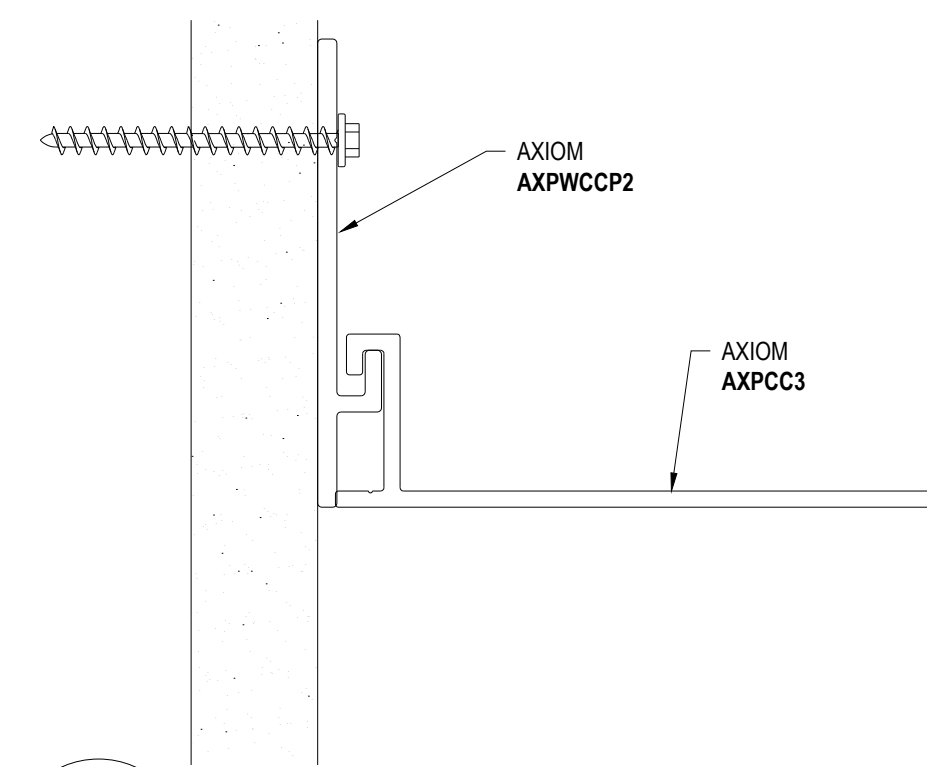
AXPSPLINE

DD-063 AXIOM FOAM GASKET AXPF

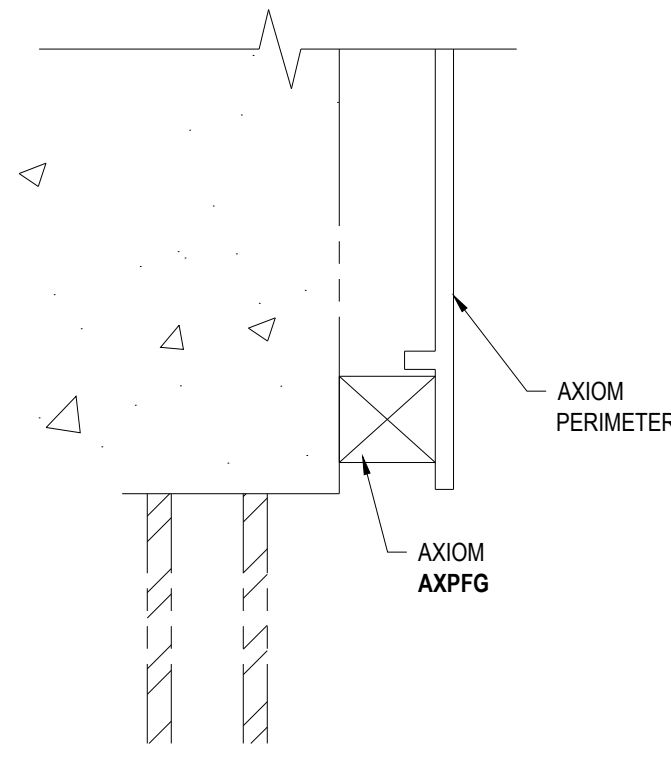
DD-064 AXIOM INTERLOCKING SPLINE AXPSPLINE



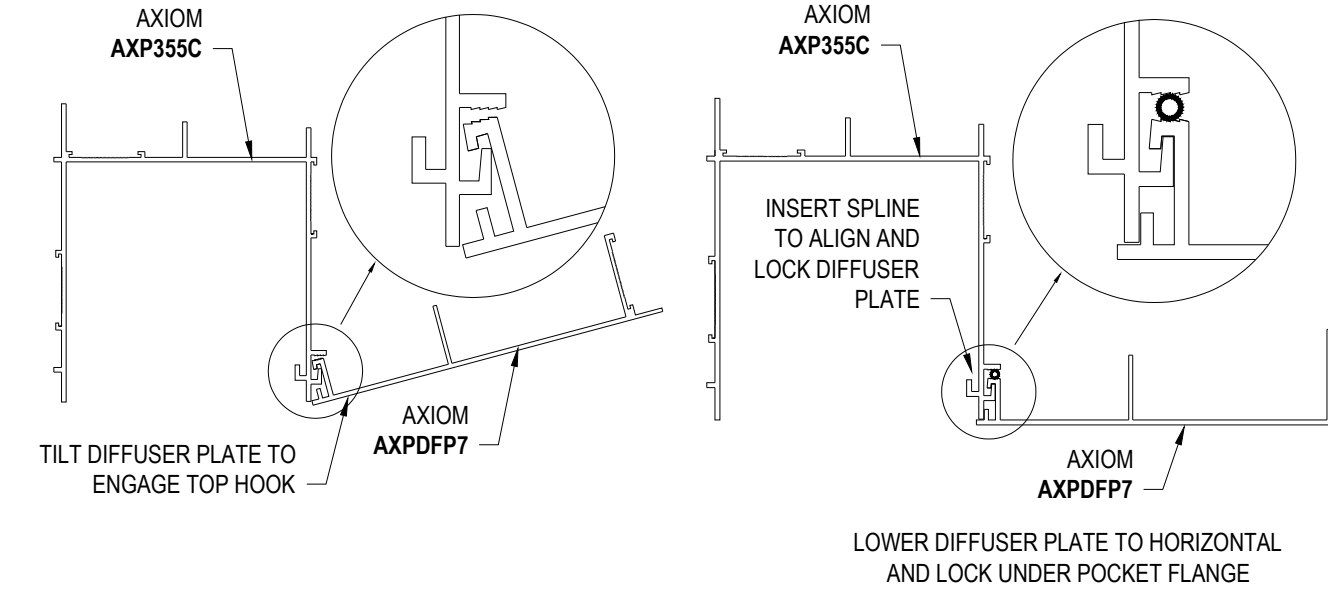
DD-065 AXIOM SPLINE CONNECTION



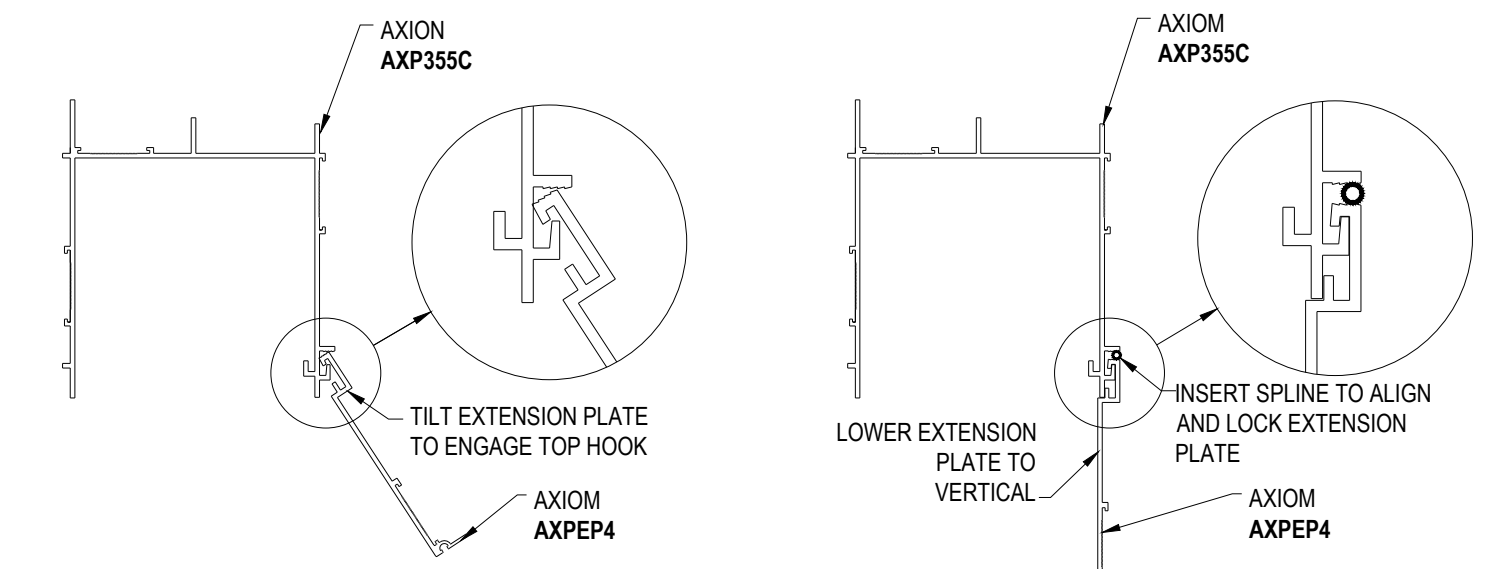
DD-066 AXIOM WALL CLIP WITH HOOK



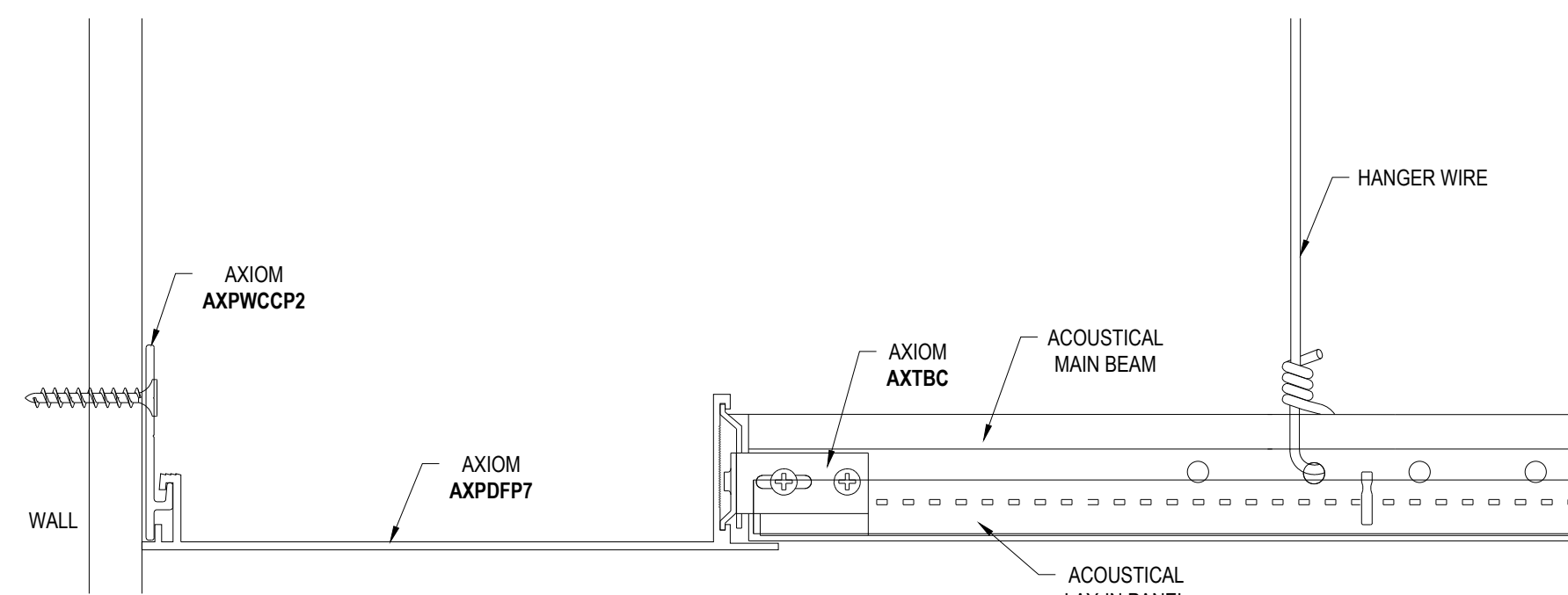
DD-067 AXIOM FOAM GASKET INSTALLATION



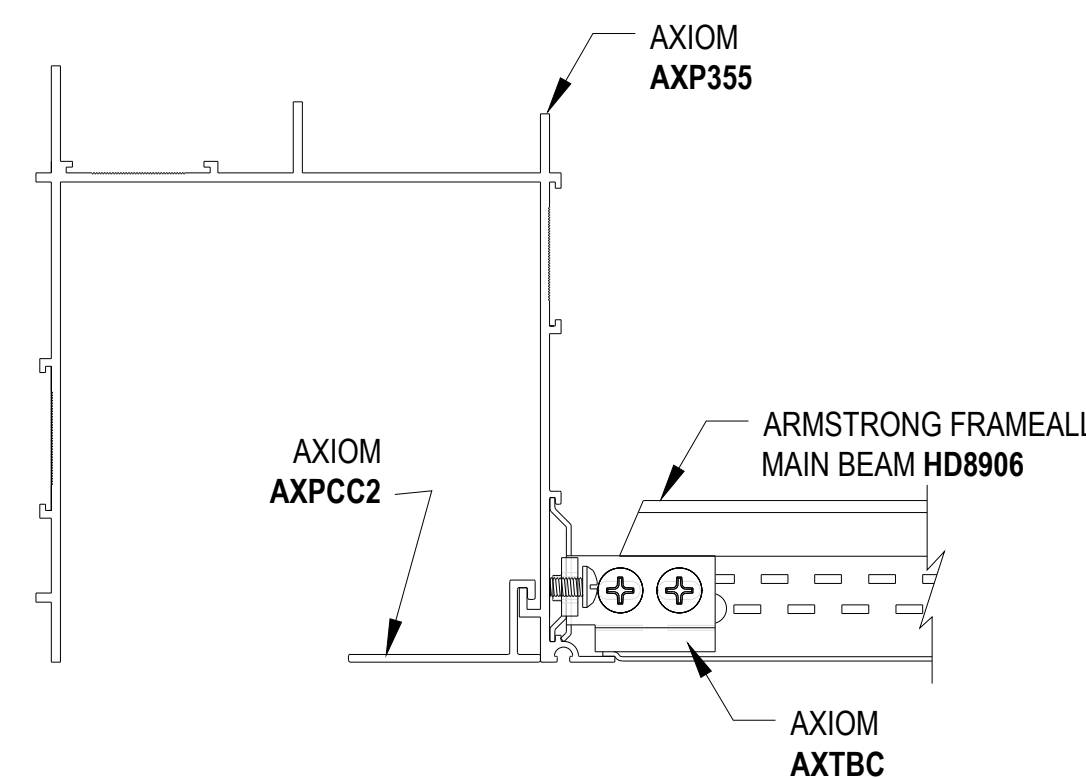
DD-068 AXIOM FACE PLATE CONNECTION



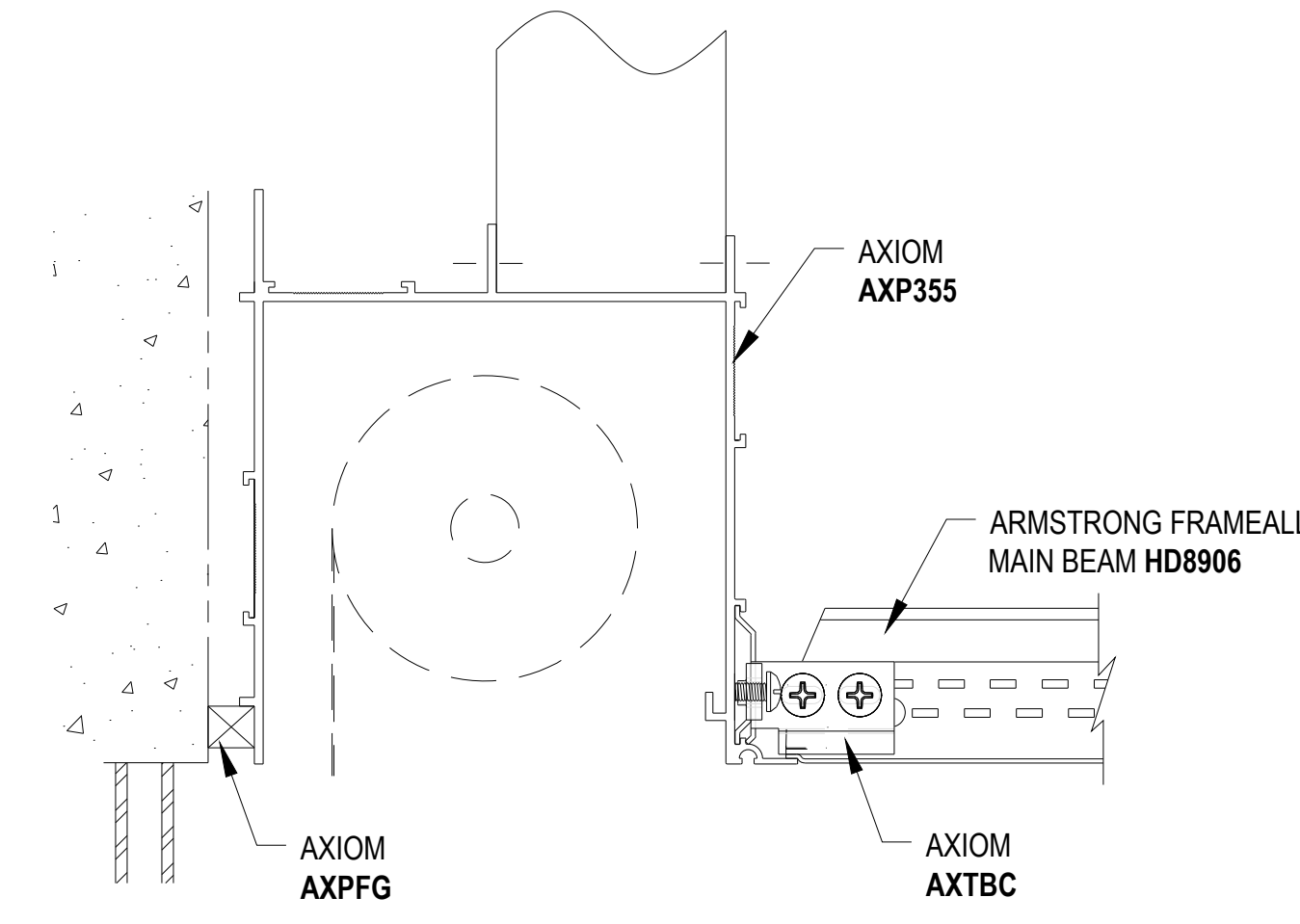
DD-069 AXIOM PERIMETER EXTENSION CONNECTION



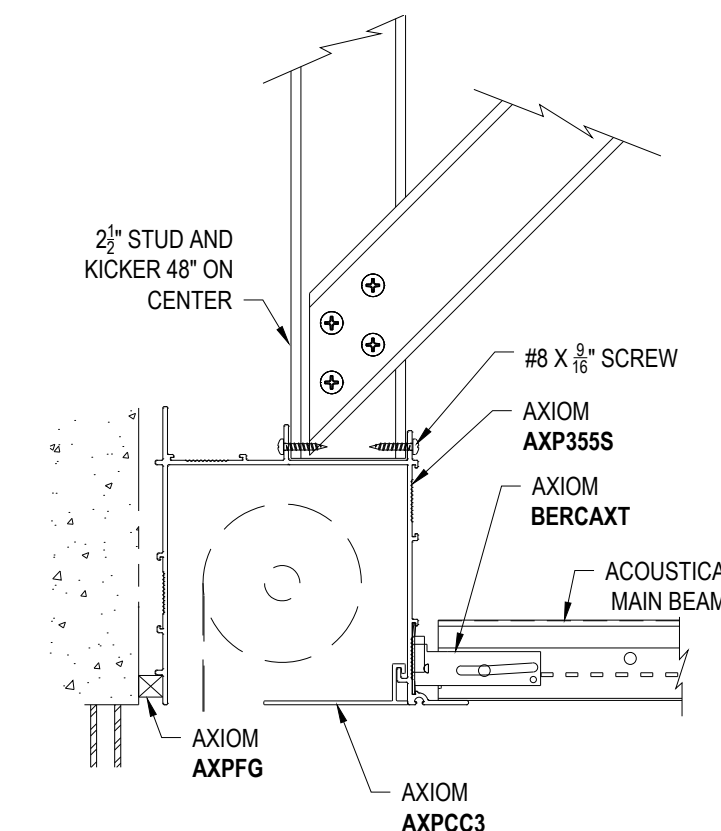
DD-070 AXIOM AXPDPF7 TO ACT APPLICATION



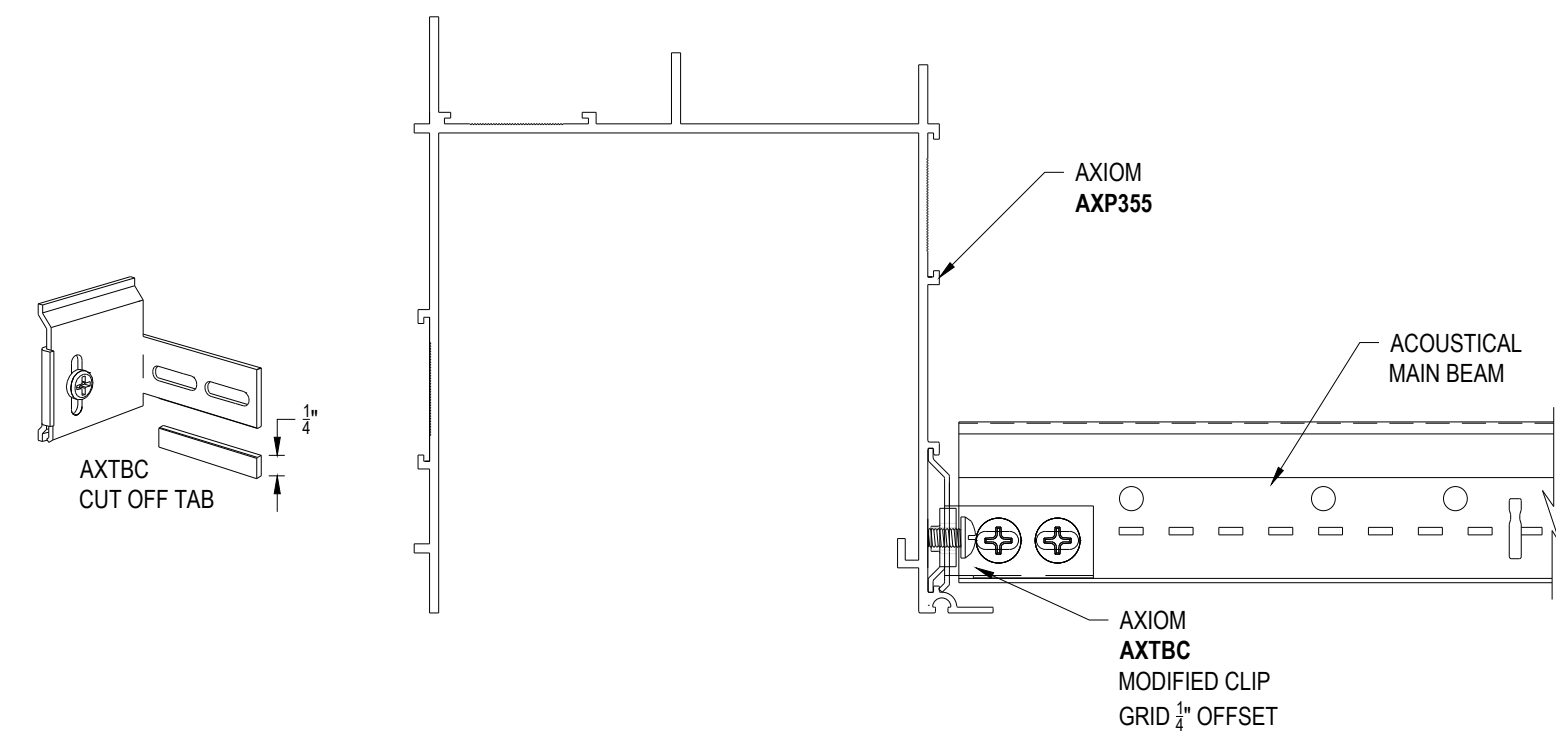
DD-071 AXIOM PERIMETER AXP335 TO MAIN BEAM



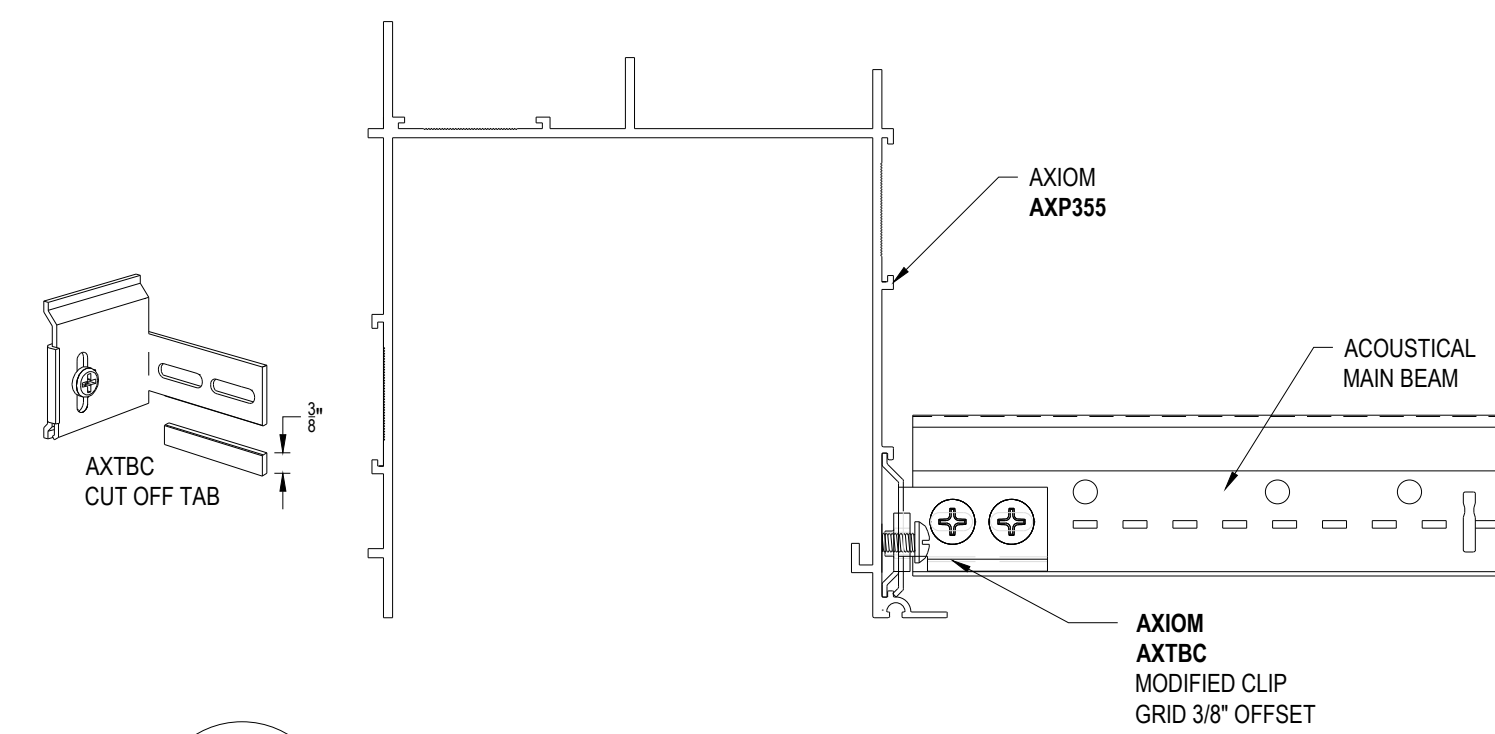
DD-072 AXIOM BUILDING PERIMETER POCKET



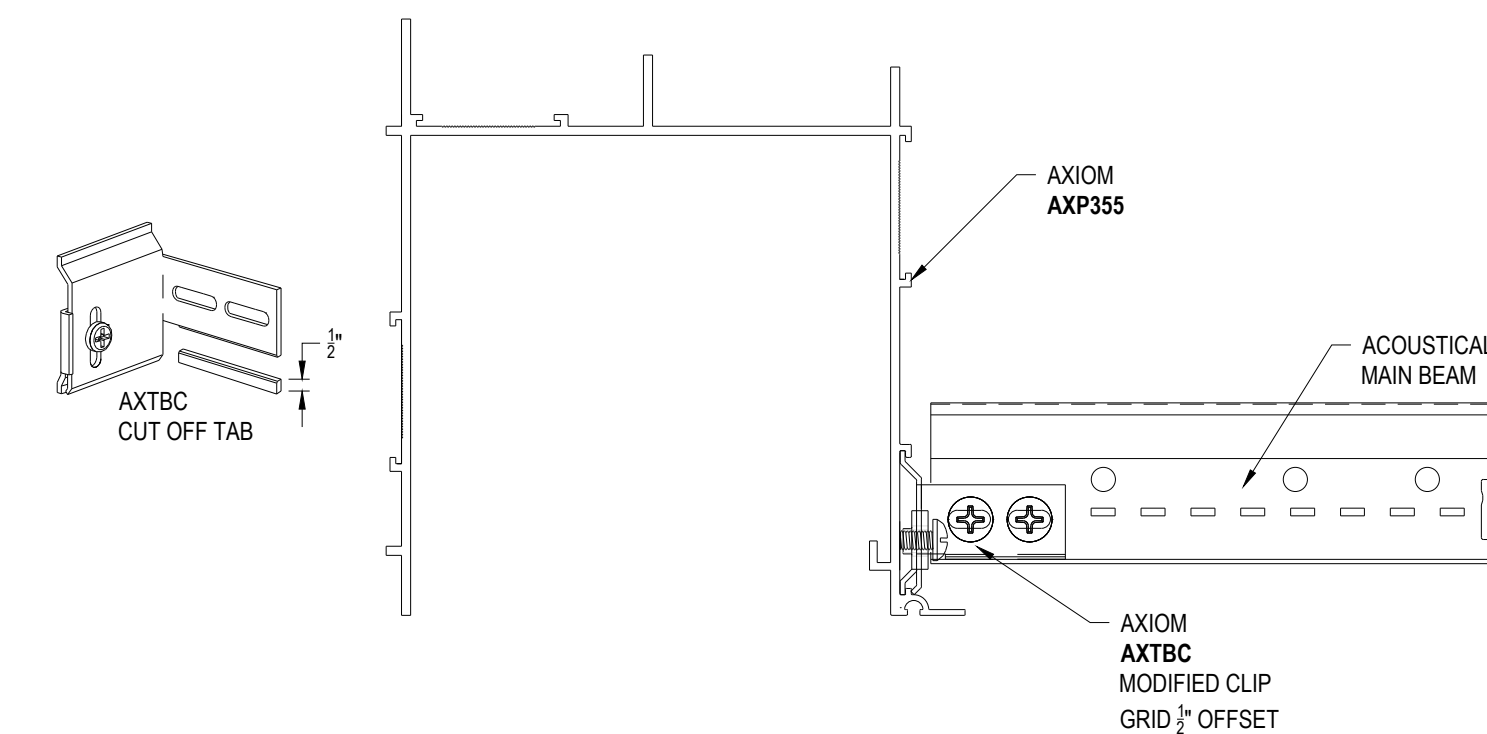
DD-073 AXIOM PERIMETER POCKET WITH BERCAXT AND AXPC3



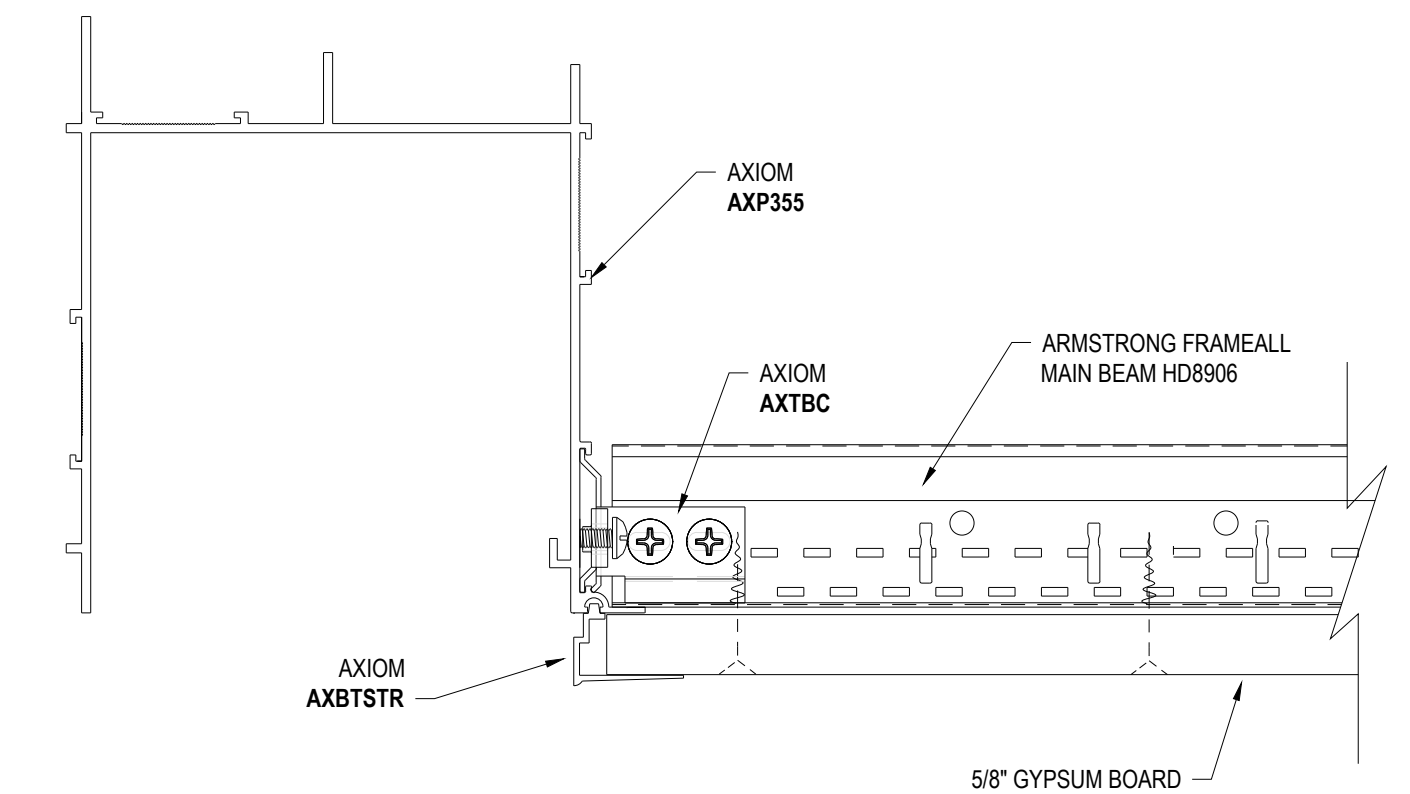
DD-074 AXIOM PERIMETER TO ACT 1/4" OFFSET



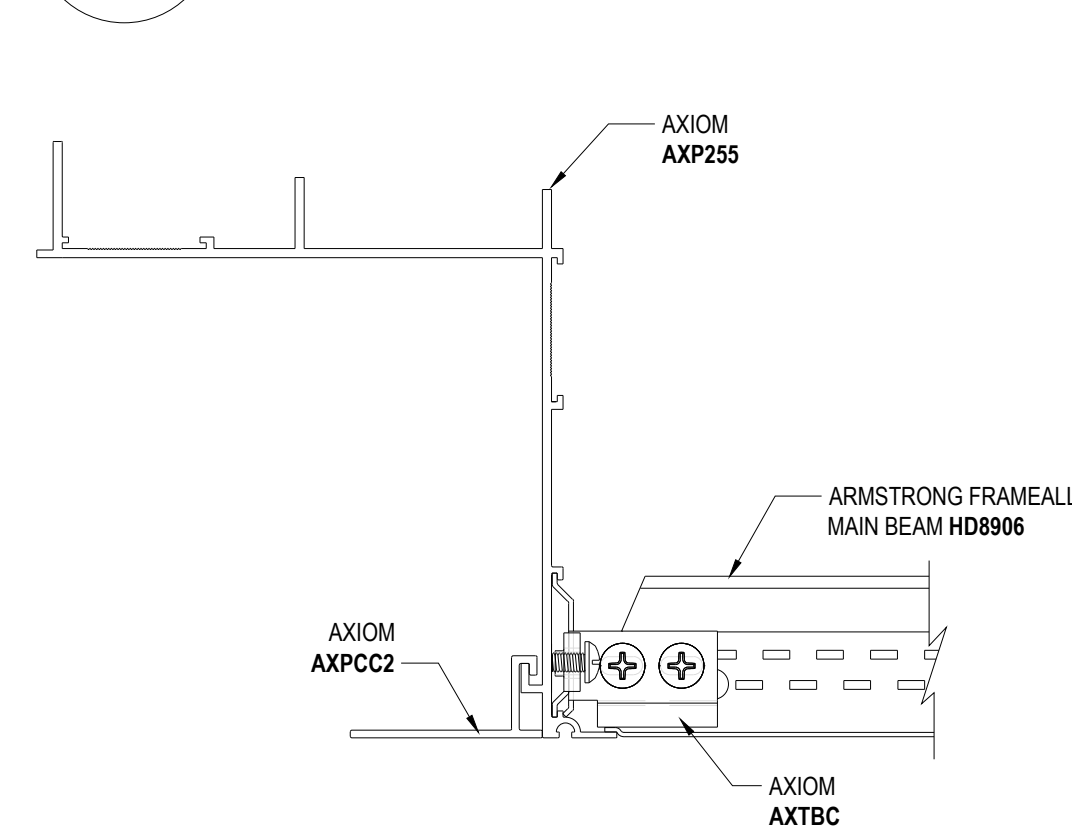
DD-075 AXIOM PERIMETER TO ACT 3/8" OFFSET



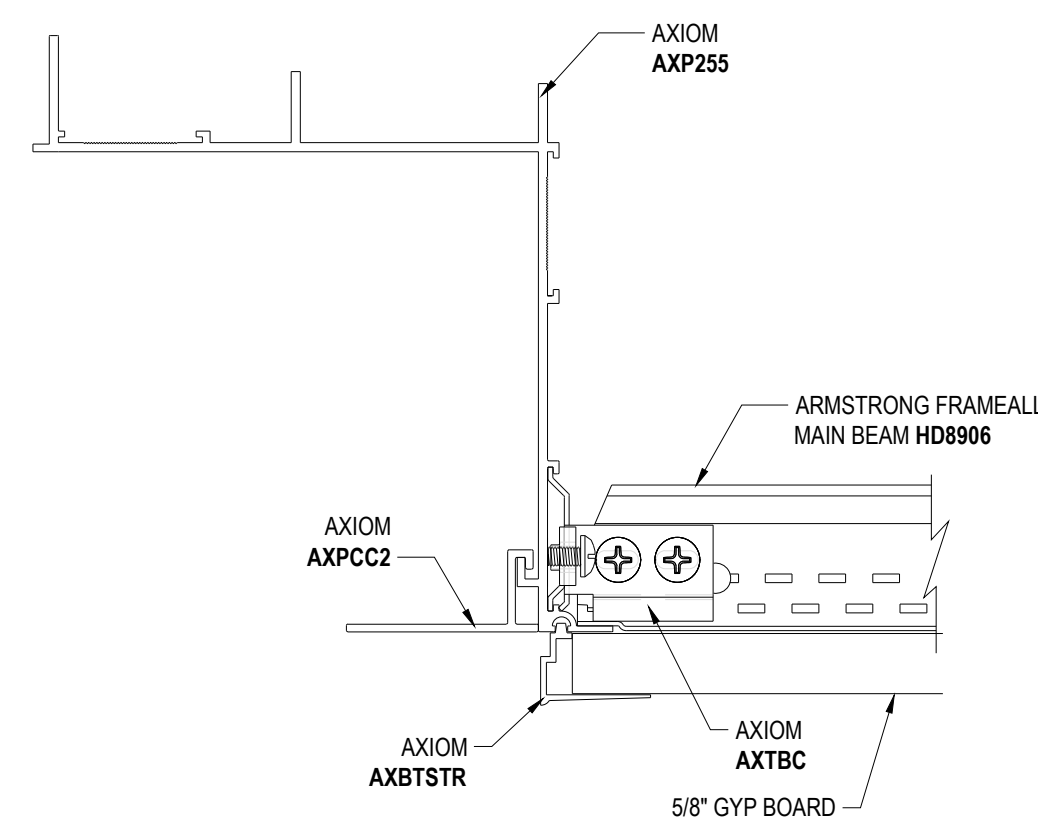
DD-076 AXIOM PERIMETER TO ACT 1/2" OFFSET



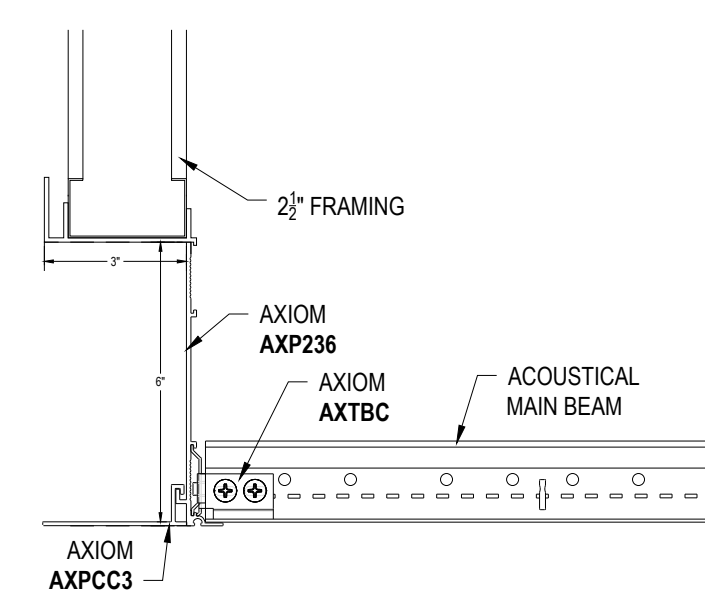
DD-077 AXIOM PERIMETER TO DRYWALL



DD-078 AXIOM PERIMETER AXP255 TO ACT WITH AXPC2



DD-079 AXIOM PERIMETER AXP255 TO DRYWALL



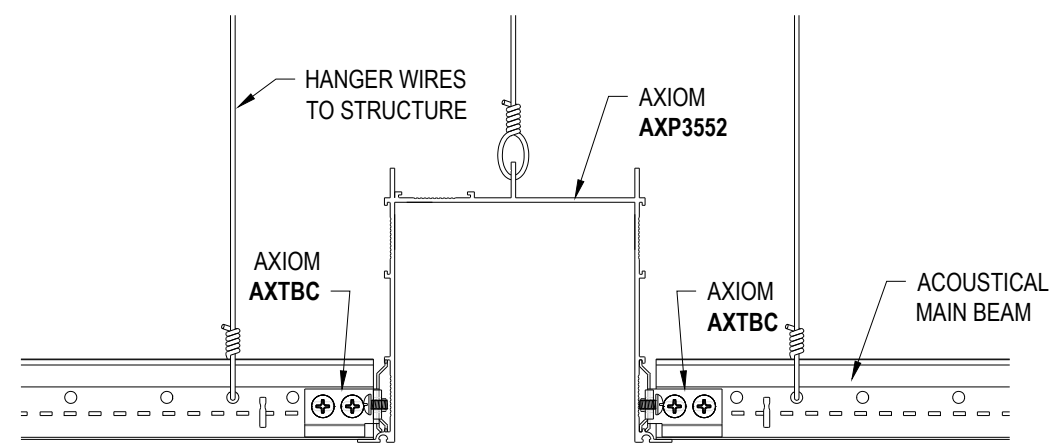
DD-080 AXIOM PERIMETER AXP236 TO ACT

These drawings show typical conditions in which the Armstrong product depicted is installed. They are not a substitute for an architect or engineer's plan and do not reflect the unique requirements of local building codes, laws, ordinances, rules and regulations (Legal Requirements) that may be applicable for a particular installation.

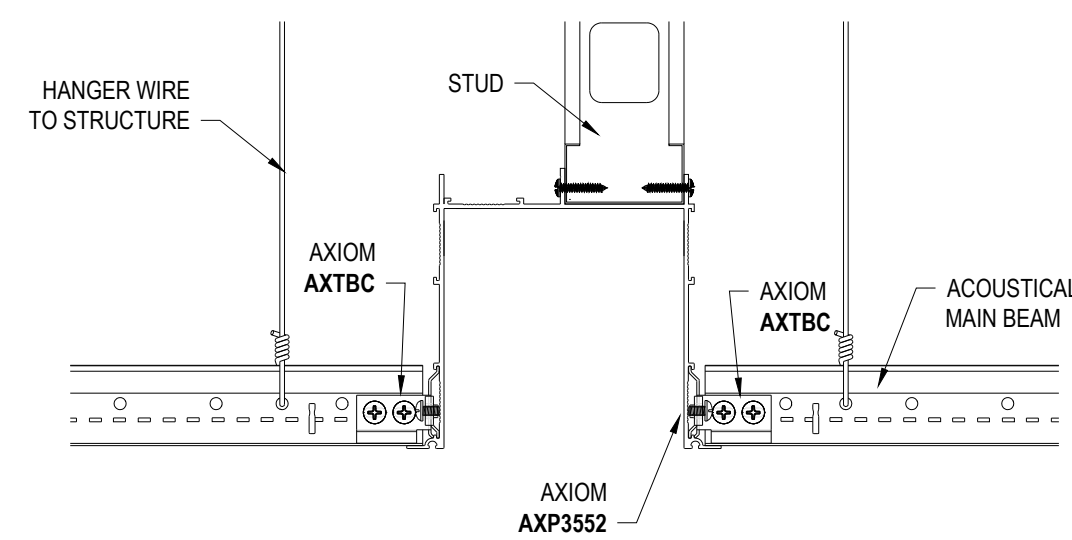
Armstrong does not warrant, and assumes no liability for the accuracy or completeness of the drawings for a particular installation or their fitness for a particular purpose. The user is advised to consult with a duly licensed architect or engineer in the particular locale of the installation to assure compliance with all Legal Requirements.

Armstrong is not licensed to provide professional architecture or engineering design services.

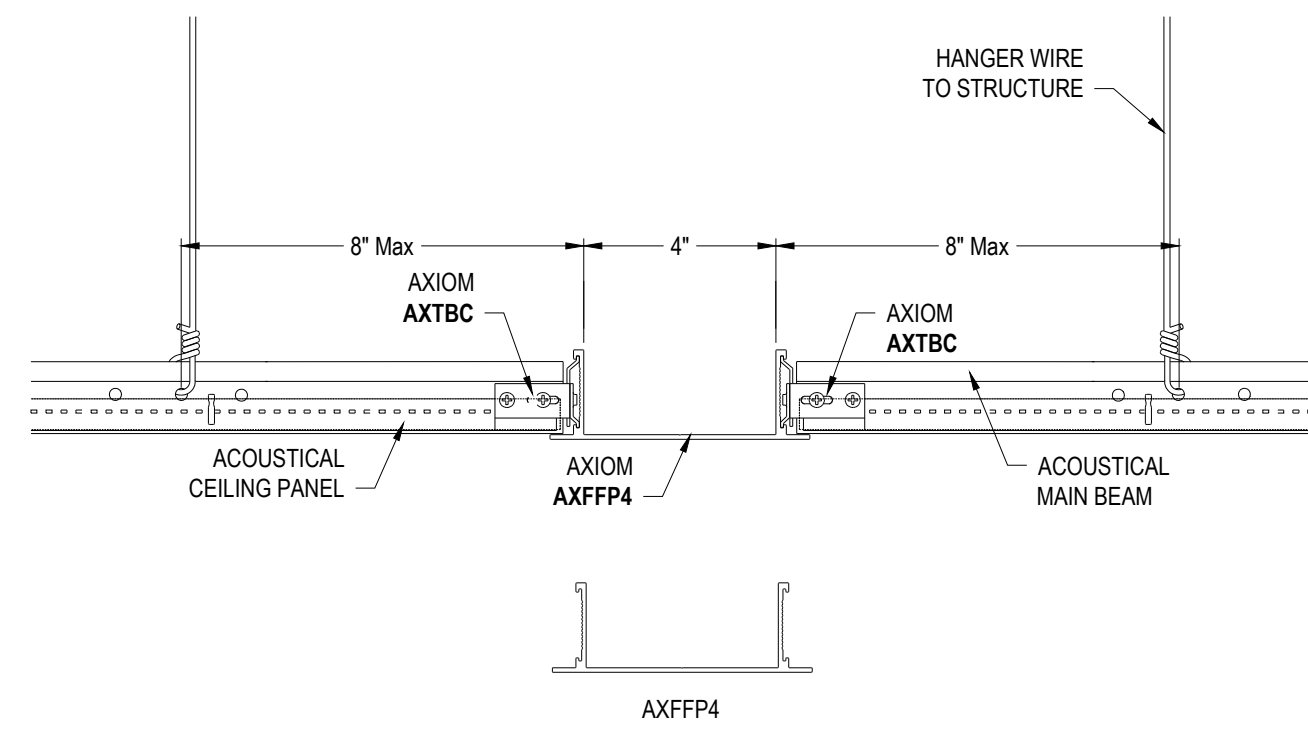
PROJECT NAME: AXIOM BUILDING PERIMETER SYSTEM MASTER SHEET		REV: .	DATE: .
DWG. NO: A-A010-MS-06	SCALE: .	DESC: .	
DATE: 1/30/25	DRAWN BY: DAG	CHK BY: .	



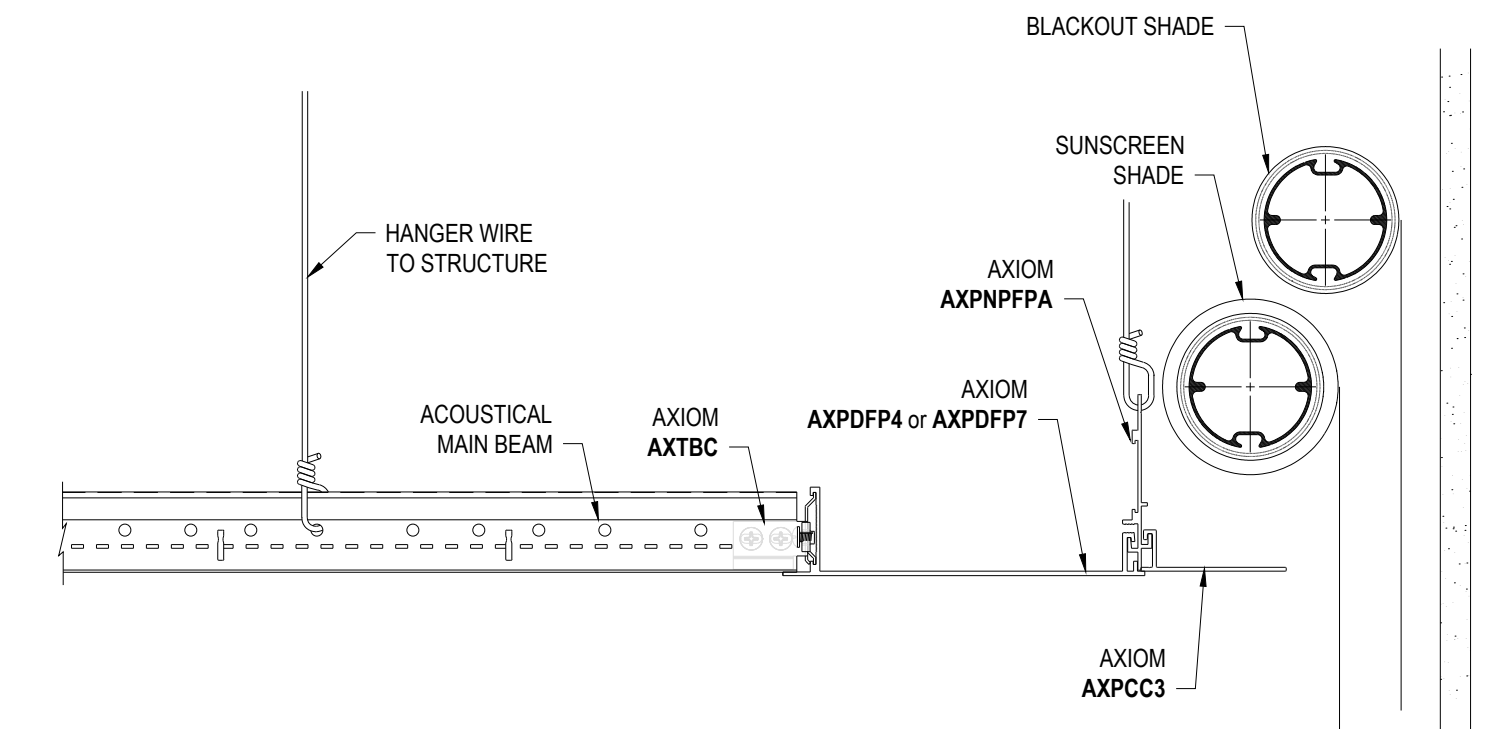
DD-081 AXIOM PERIMETER ACT TRANSITION ON TWO SIDES



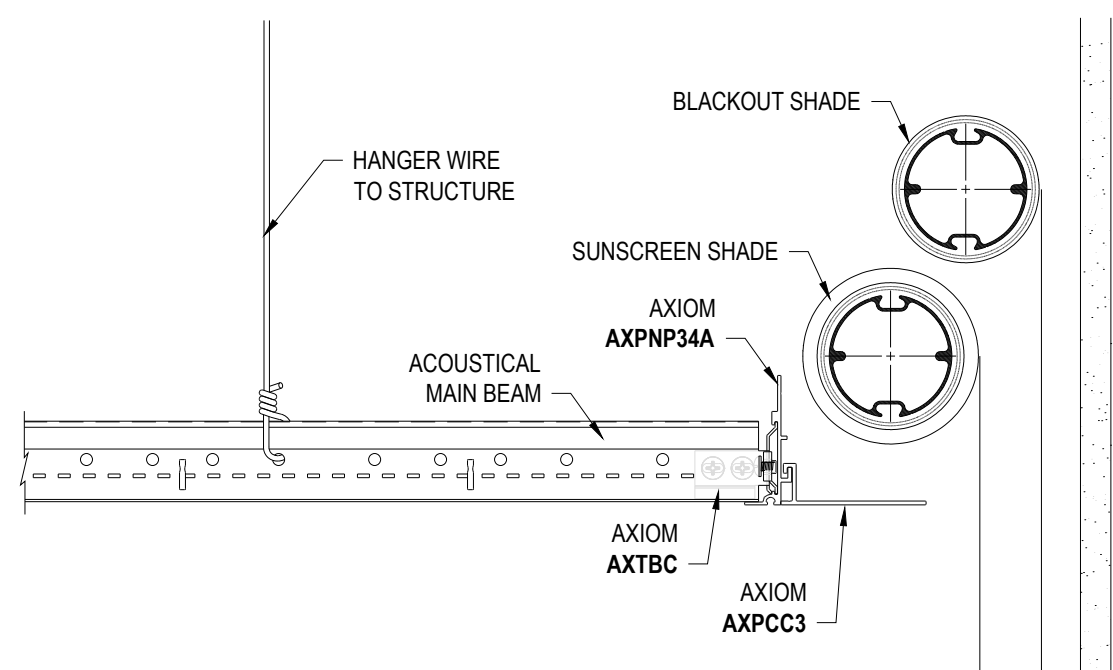
DD-082 AXIOM PERIMETER ACT TRANSITION ON TWO SIDES WITH STUD



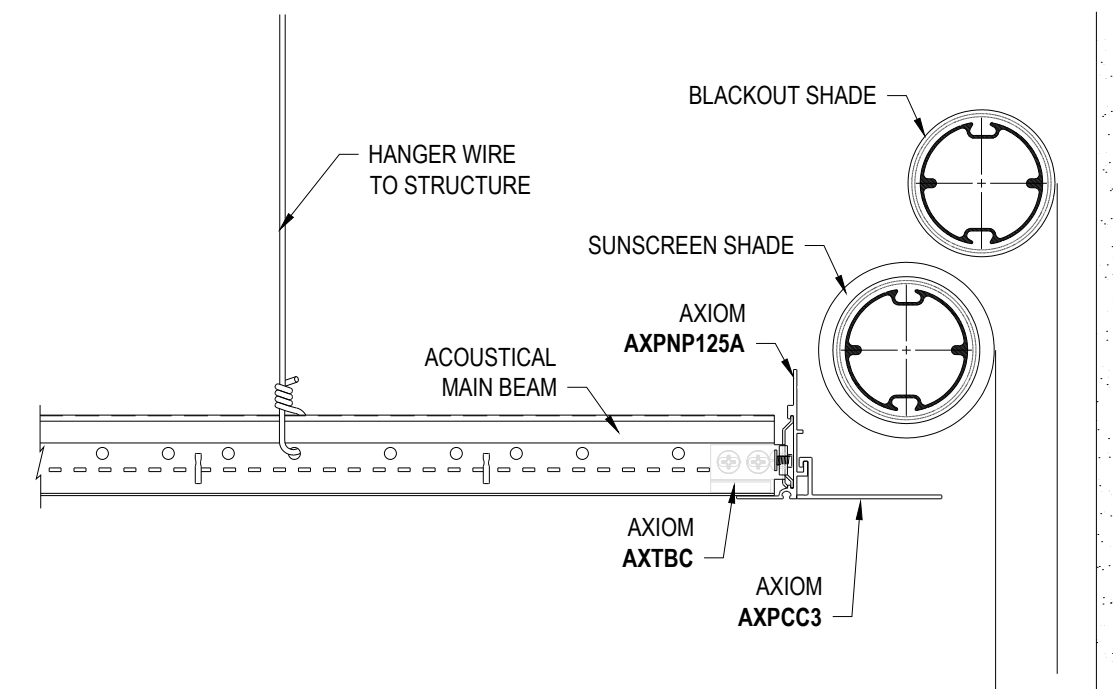
DD-083 AXIOM FIELD PLATE ACT TRANSITION ON BOTH SIDES



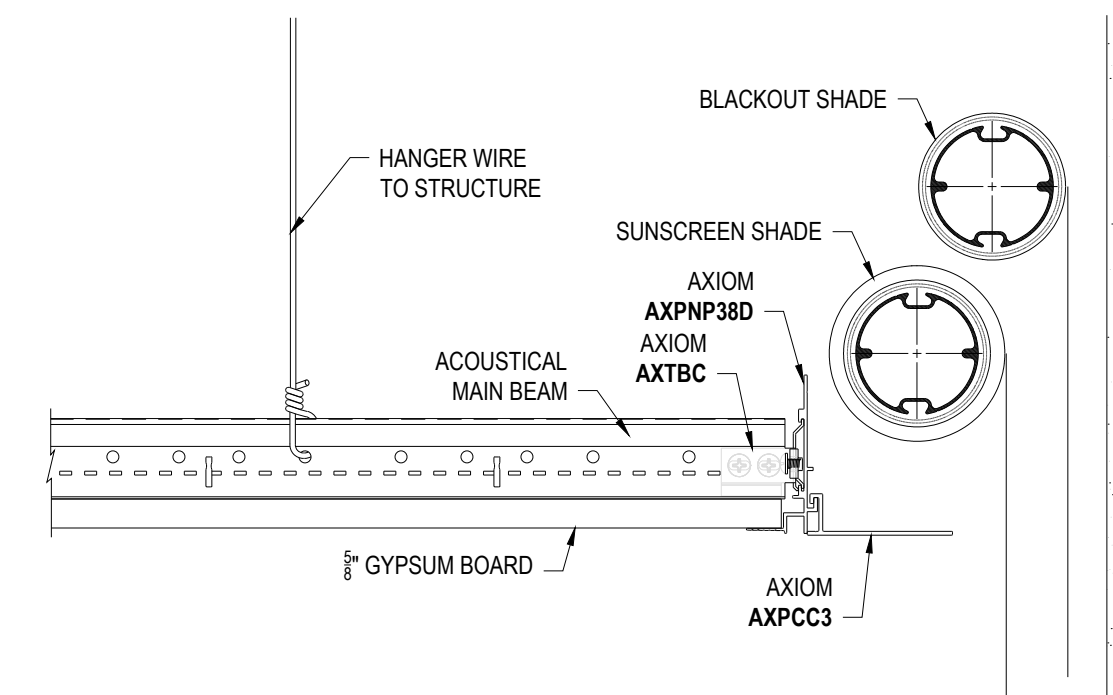
DD-084 AXIOM POCKETLESS SHADE AXPNPFFPA



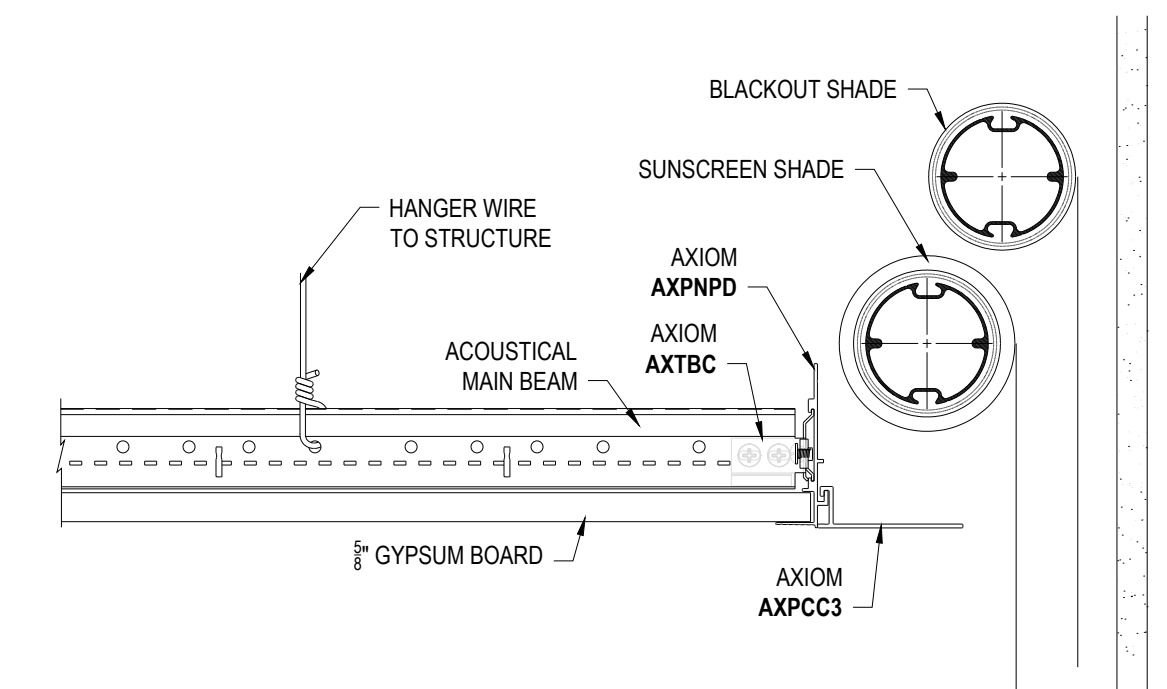
DD-085 AXIOM POCKETLESS SHADE AXPNP34A



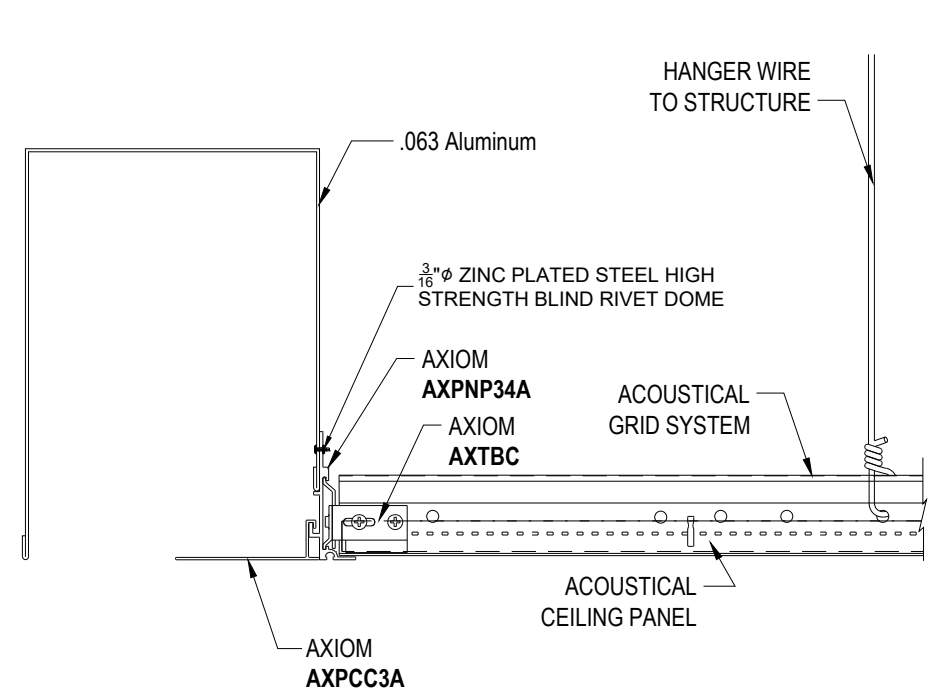
DD-086 AXIOM POCKETLESS SHADE AXPNP125A



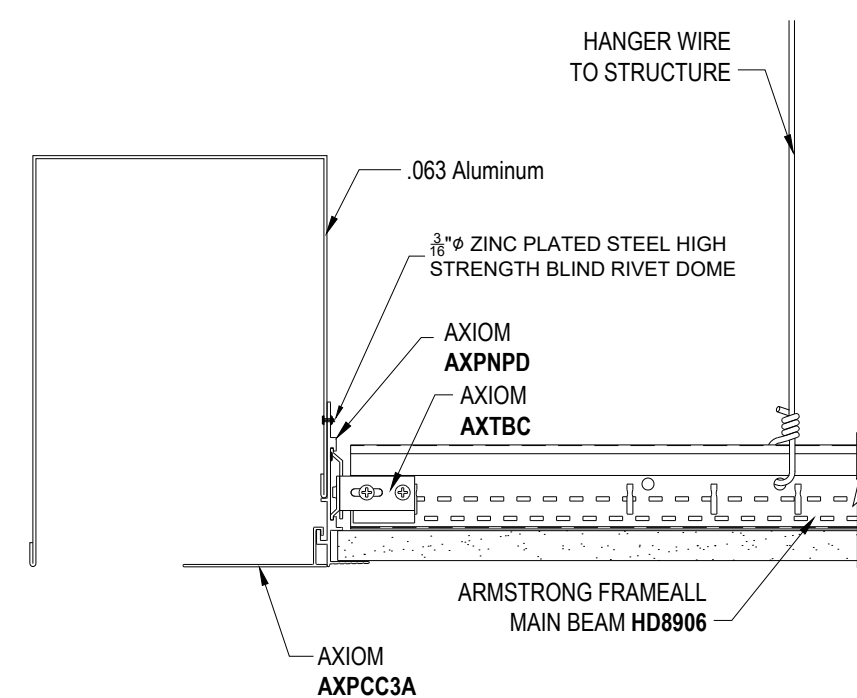
DD-087 AXIOM POCKETLESS SHADE DRYWALL AXPNP38D



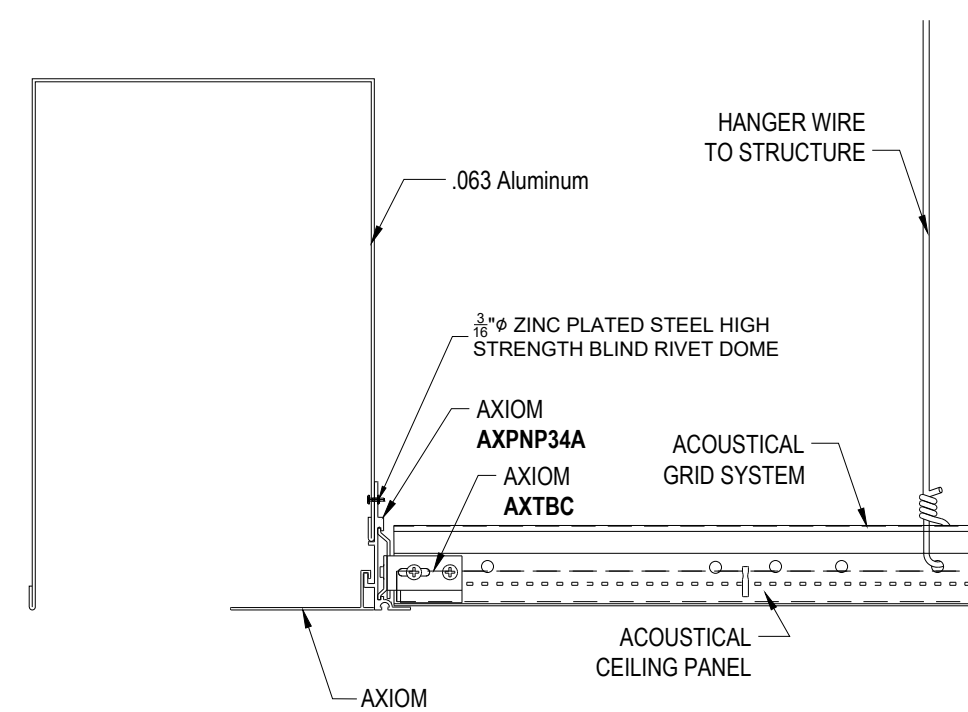
DD-088 AXIOM POCKETLESS SHADE DRYWALL AXPNPD



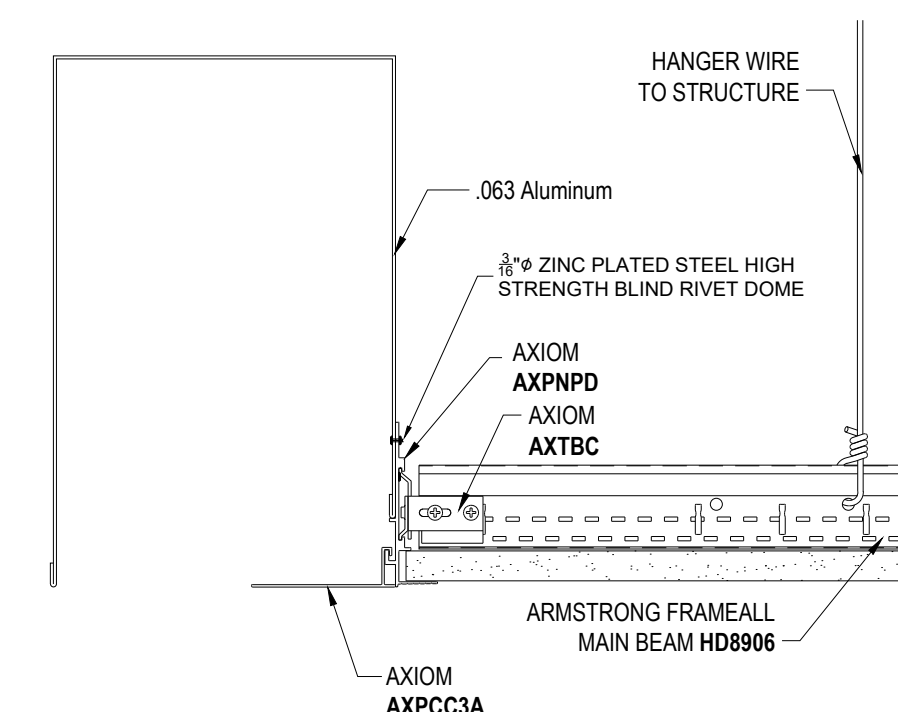
DD-089 AXIOM PERIMETER AXP3685A TO ACT



DD-090 AXIOM PERIMETER AXP3685D TO DRYWALL

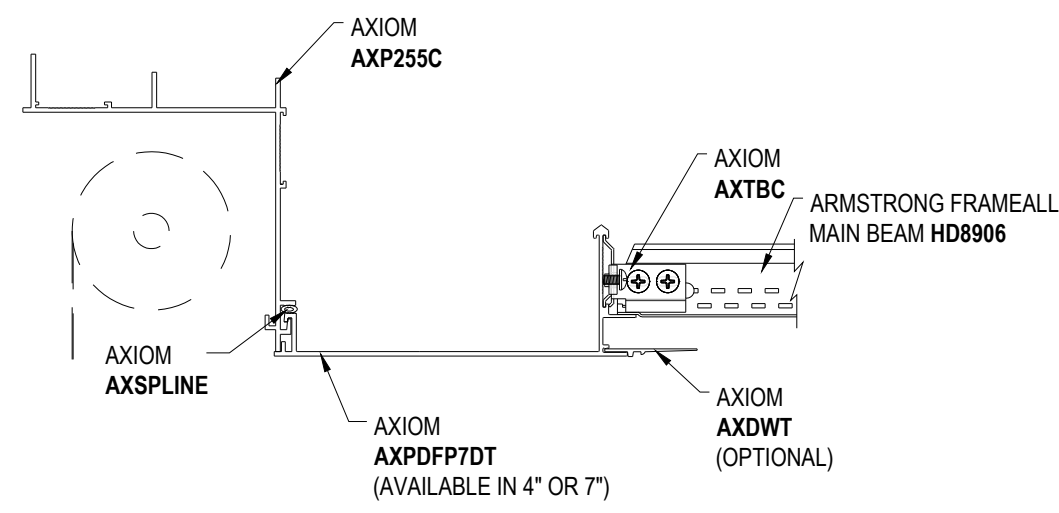


DD-091 AXIOM PERIMETER AXP3711A TO ACT

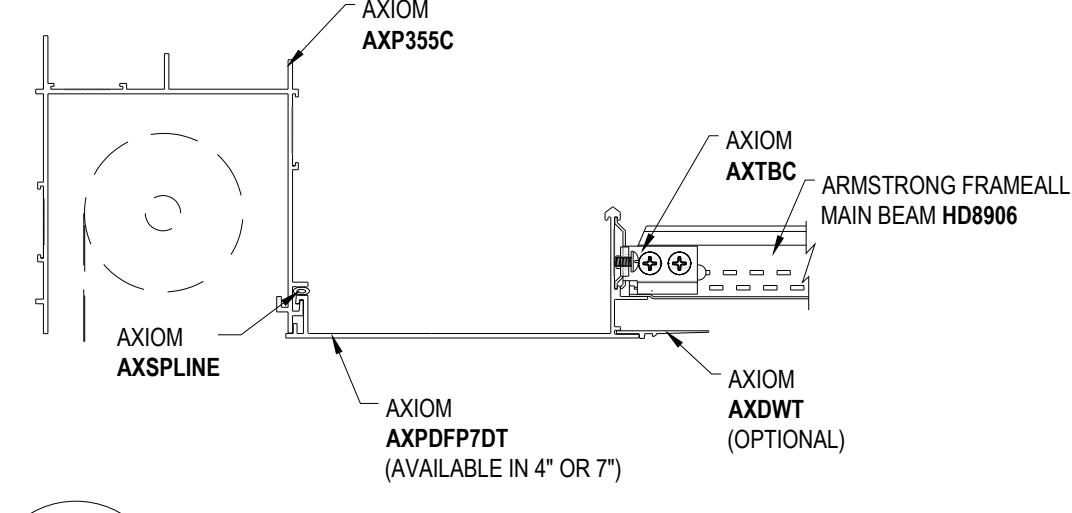


DD-092 AXIOM PERIMETER AXP3711D TO DRYWALL

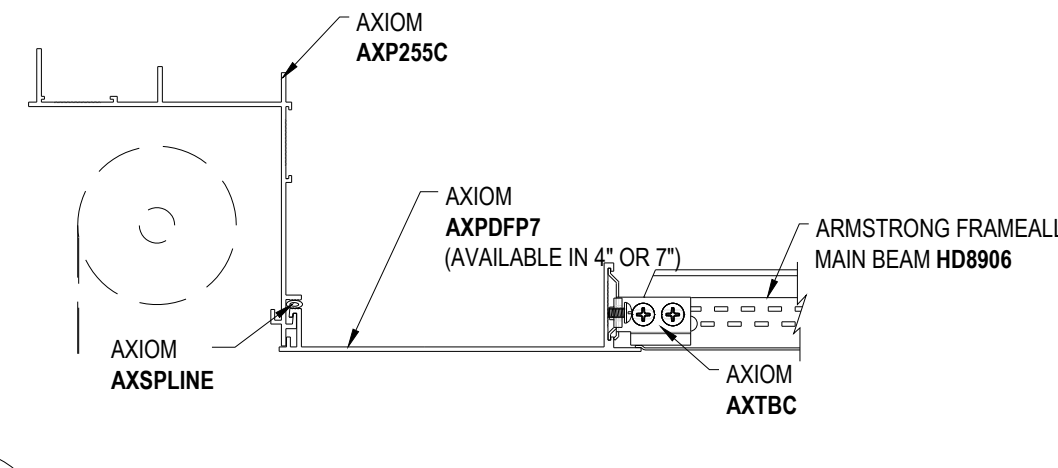
<p>These drawings show typical conditions in which the Armstrong product depicted is installed. They are not a substitute for an architect's or engineer's plan and do not reflect the unique requirements of local building codes, laws, ordinances, rules and regulations (Legal Requirements) that may be applicable for a particular installation.</p> <p>Armstrong does not warrant, and assumes no liability for the accuracy or completeness of the drawings for a particular installation or their fitness for a particular purpose. The user is advised to consult with a duly licensed architect or engineer in the particular locale of the installation to assure compliance with all Legal Requirements.</p> <p>Armstrong is not licensed to provide professional architecture or engineering design services.</p>		<p>PROJECT NAME: AXIOM BUILDING PERIMETER SYSTEM MASTER SHEET</p>	
DWG. NO. A-A010-MS-07	DATE: 1/30/25	SCALE:	REV: . DATE: .
DRAWN BY: DAG	CHK BY:		
<p>TechLine ARMSTRONG CEILING SYSTEMS * ARMSTRONG WORLD INDUSTRIES, INC. * Lancaster, PA * Phone: 877-ARMSTRONG</p>		<p>Amstrong</p>	



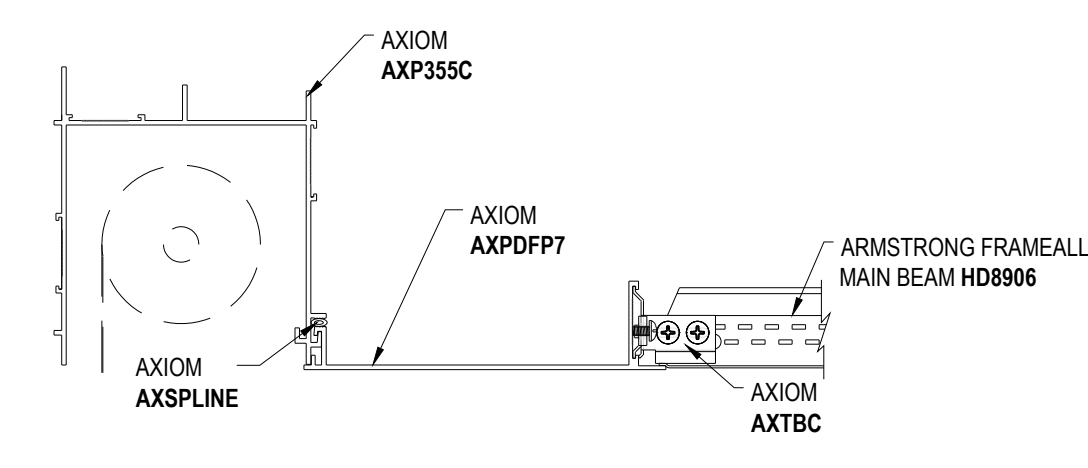
DD-093 AXIOM 2 SIDED POCKET TO 7" FACE PLATE DRYWALL SUSPENSION



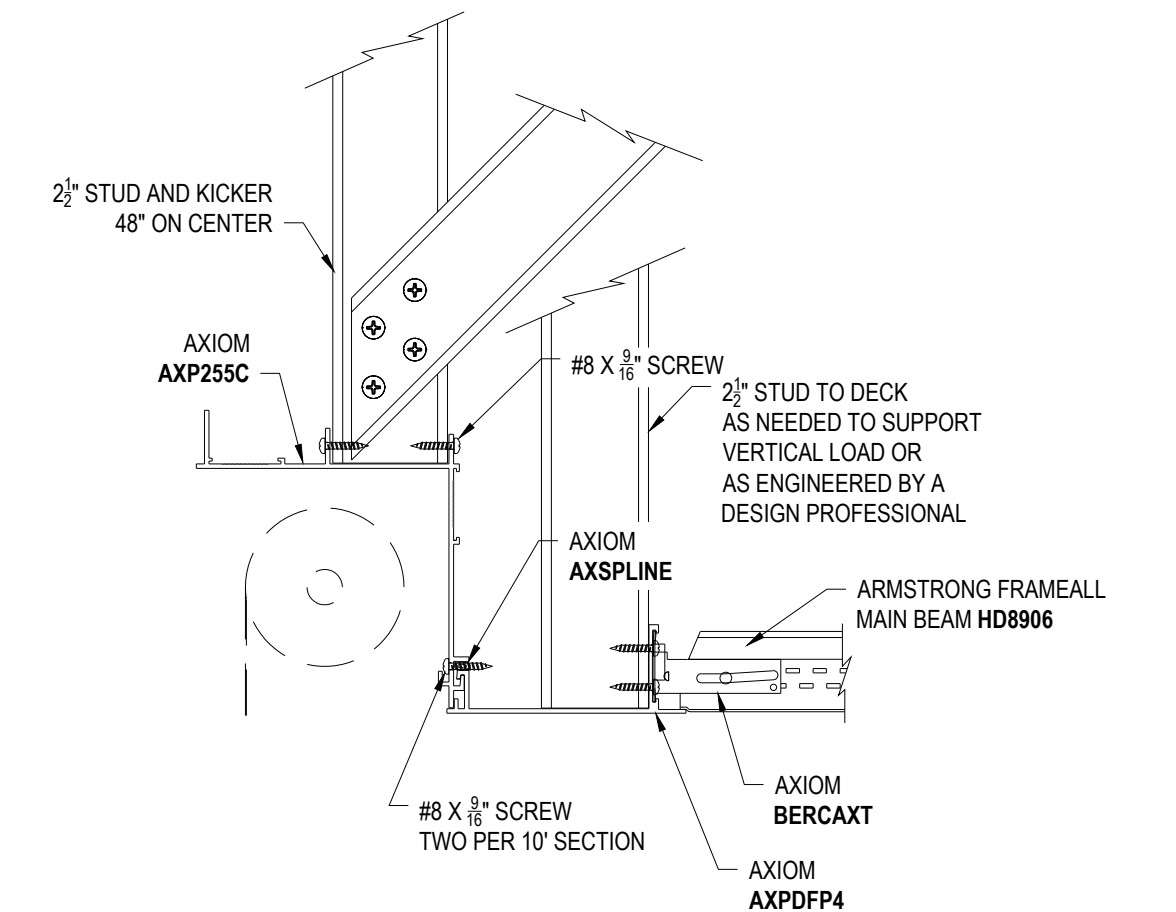
DD-094 AXIOM 3 SIDED POCKET TO 7" FACE PLATE DRYWALL SUSPENSION



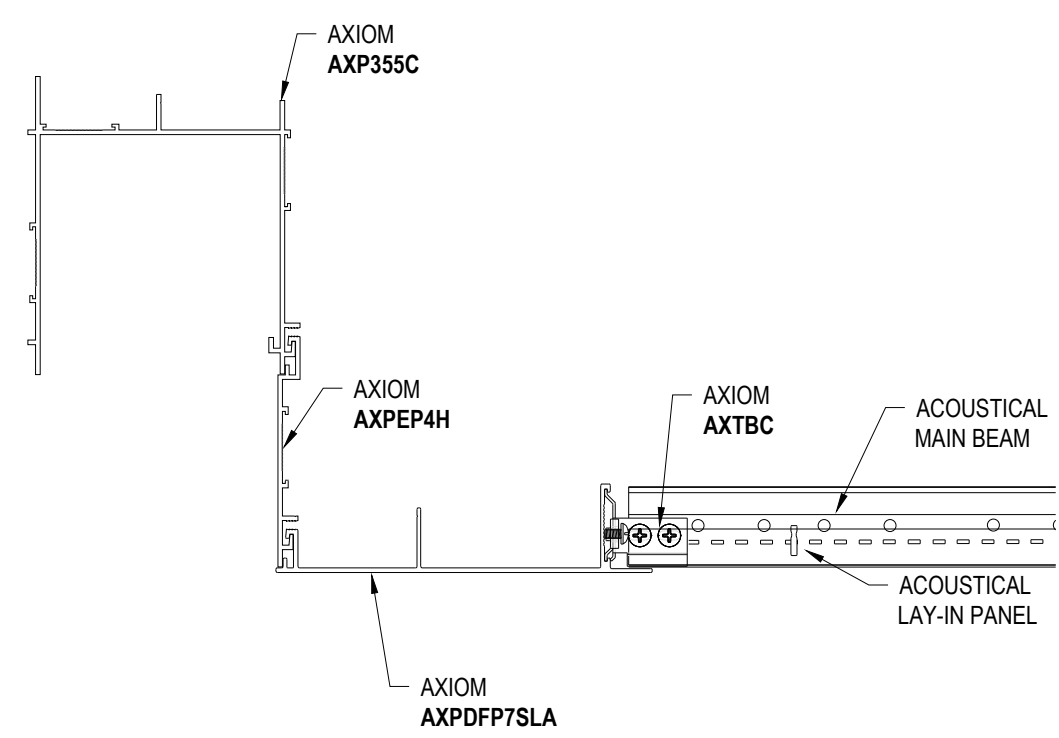
DD-095 AXIOM 2 SIDED POCKET TO 7" FACE PLATE



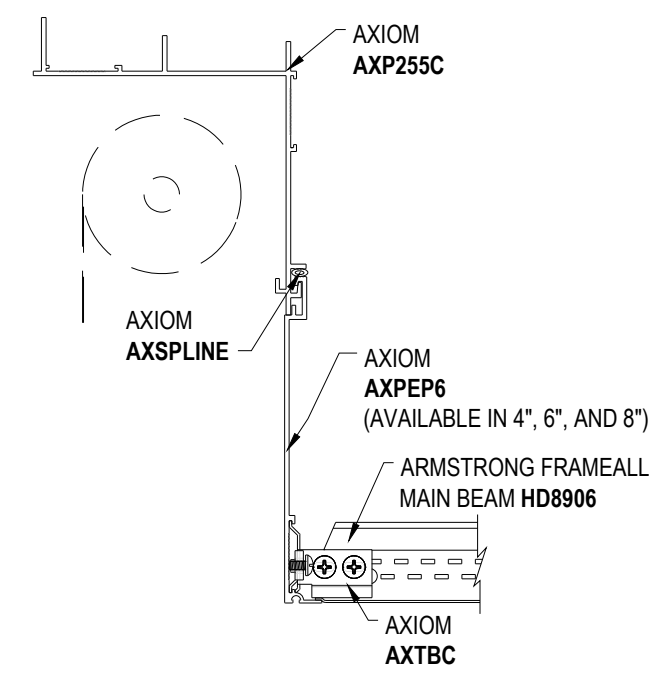
DD-096 AXIOM 3 SIDED POCKET TO 7" FACE PLATE



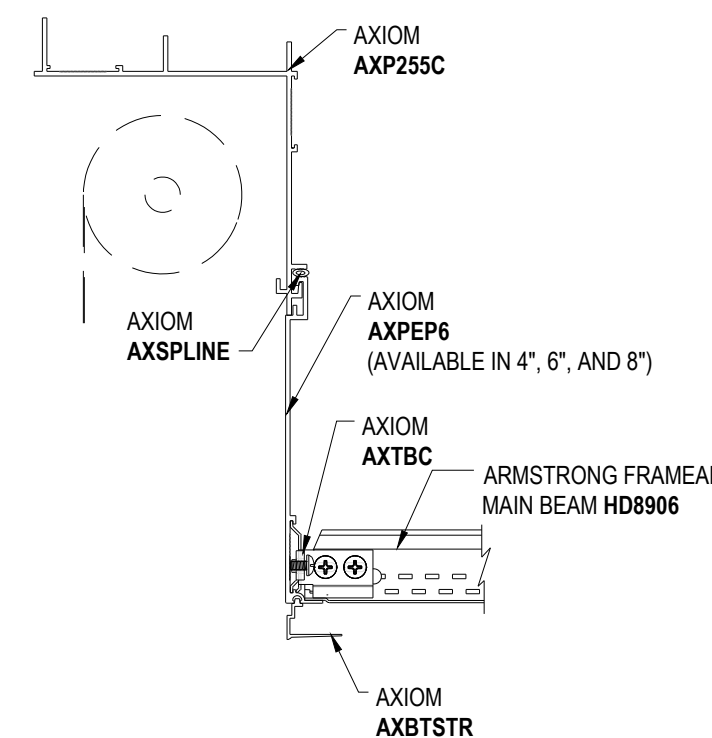
DD-097 AXIOM 2 SIDED POCKET TO 4" FACE PLATE SEISMIC



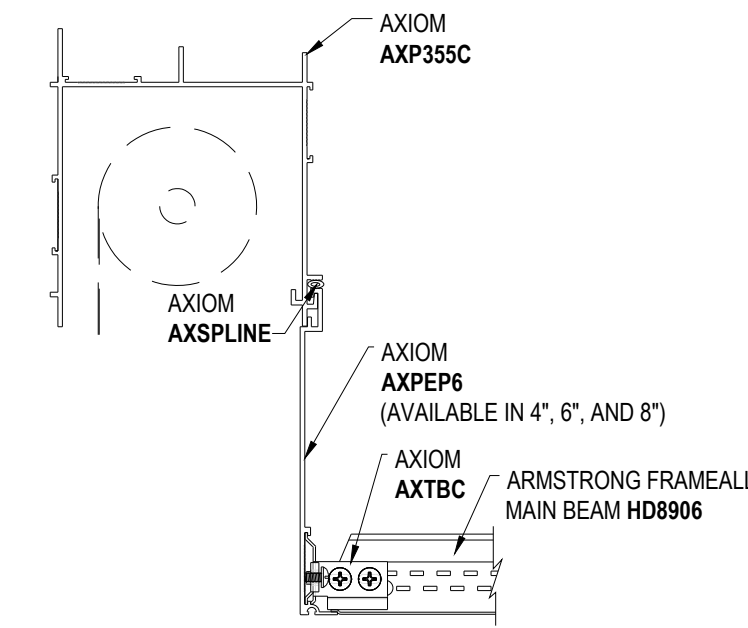
DD-098 AXIOM PERIMETER POCKET WITH FACE PLATE AND EXTENSION APPLICATION



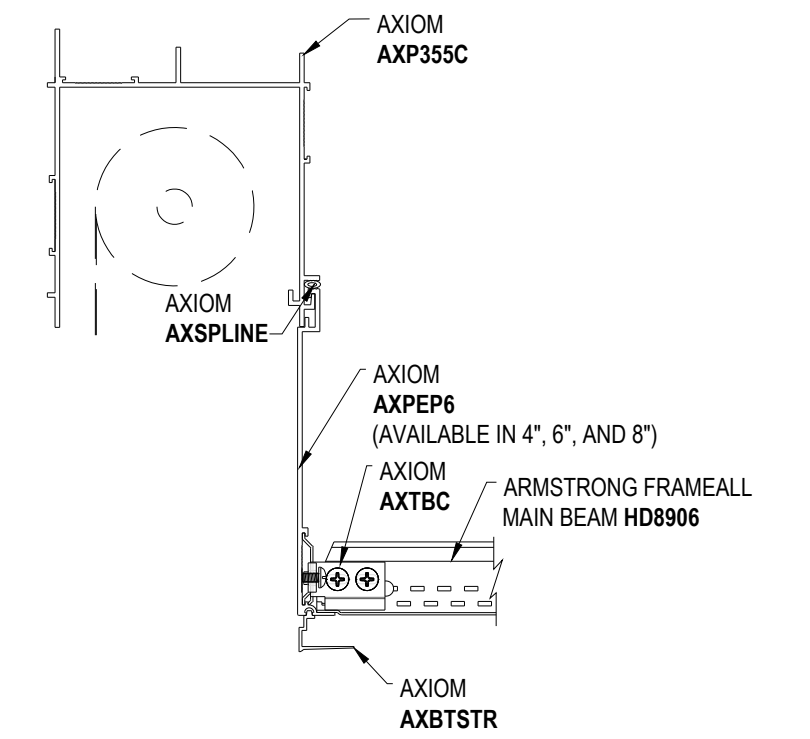
DD-099 AXIOM 2 SIDED POCKET TO 6" EXTENSION



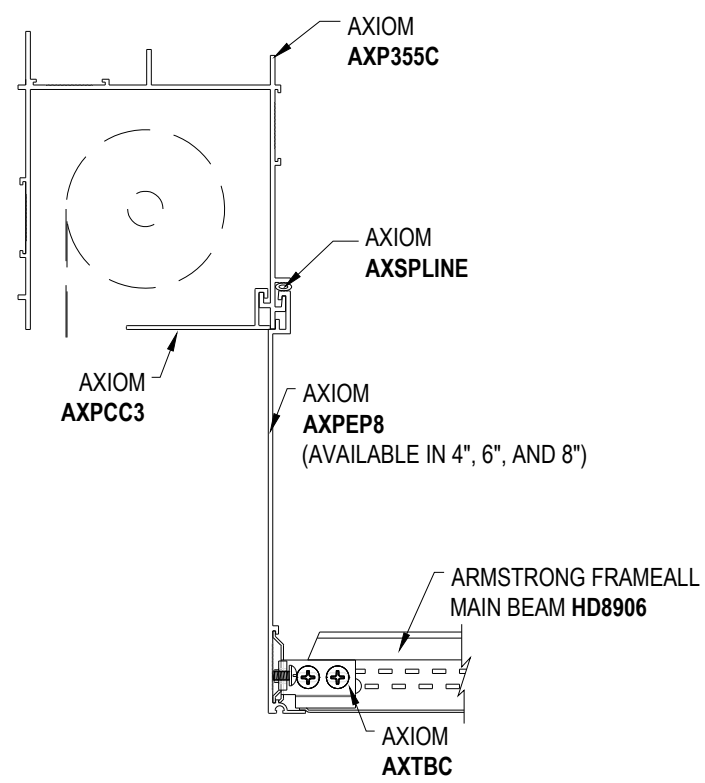
DD-100 AXIOM 2 SIDED POCKET TO 6" EXTENSION DRYWALL



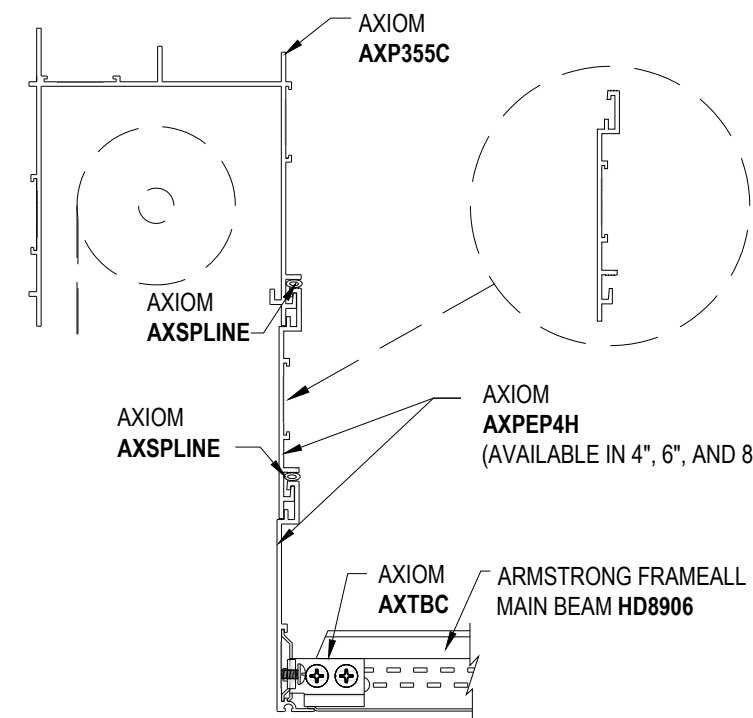
DD-101 AXIOM 3 SIDED POCKET TO 6" EXTENSION



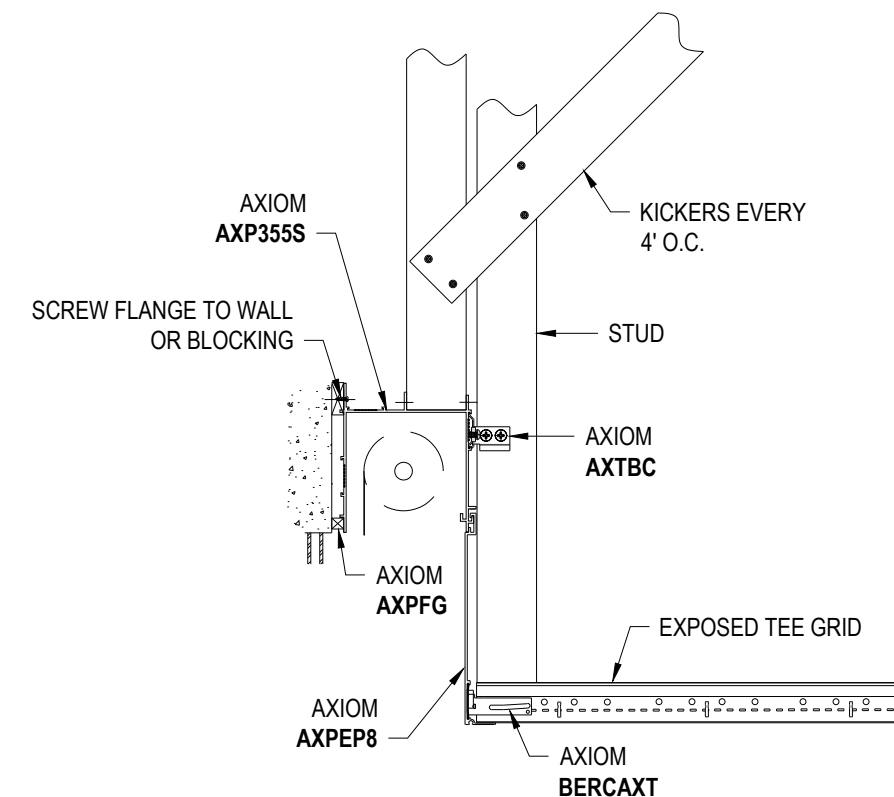
DD-102 AXIOM 3 SIDED POCKET TO 6" EXTENSION DRYWALL



DD-103 AXIOM 3 SIDED POCKET TO 8" EXTENSION WITH CLOSURE CLIP

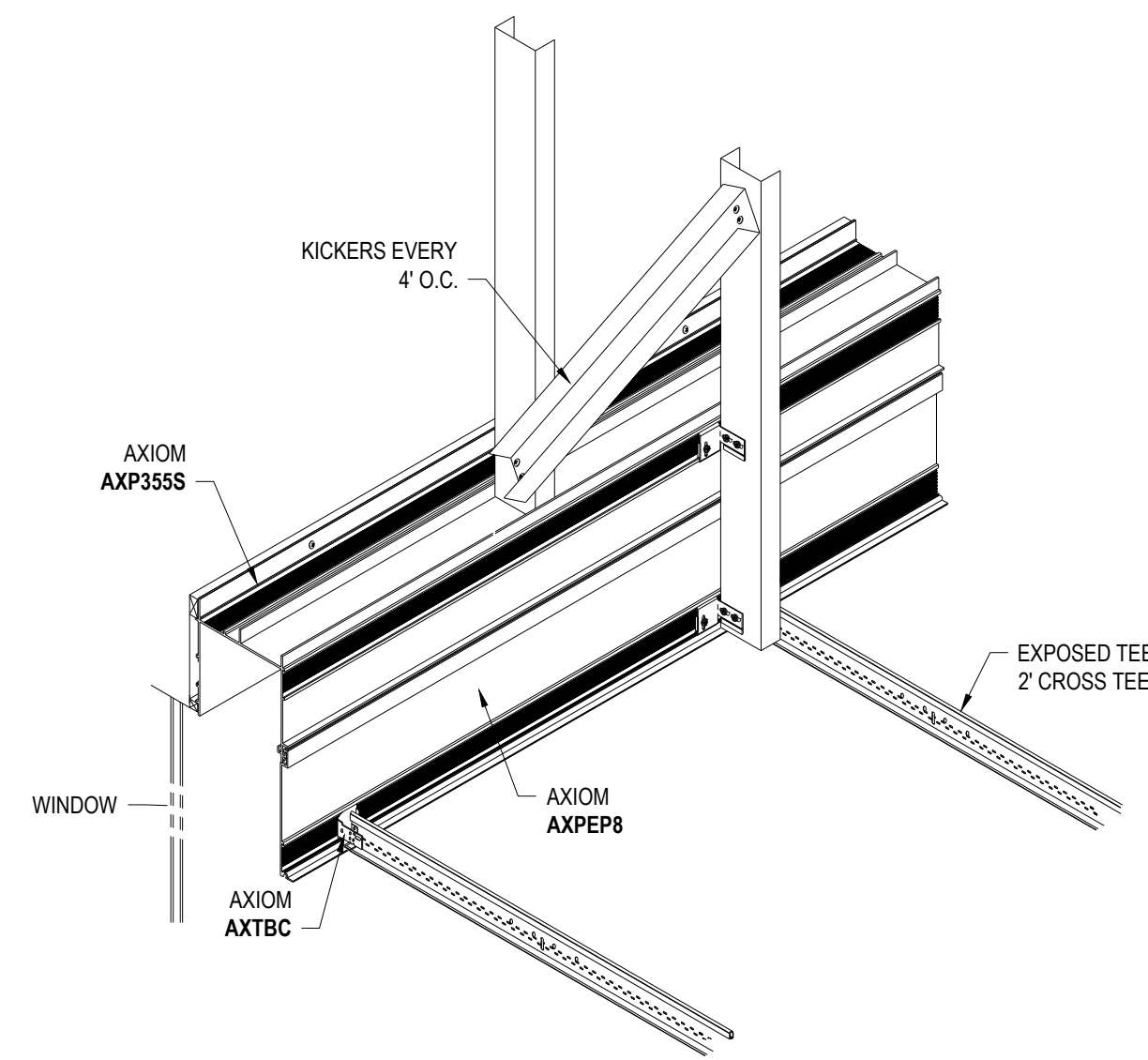


DD-104 AXIOM 3 SIDED POCKET TO 4" EXTENSION TO 4" EXTENSION

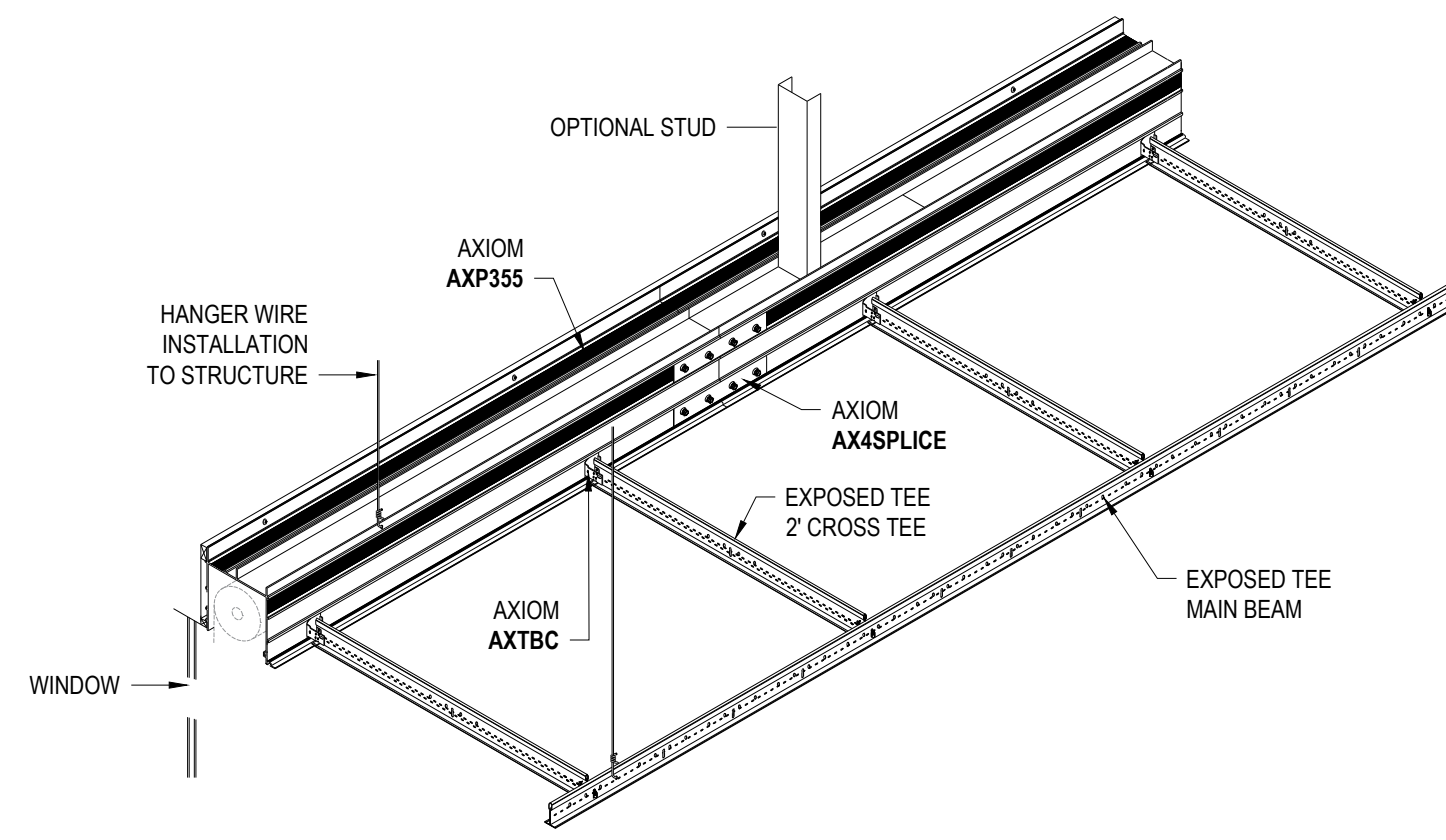


DD-105 AXIOM 3 SIDED POCKET EXTENSION WITH SEISMIC BRACING

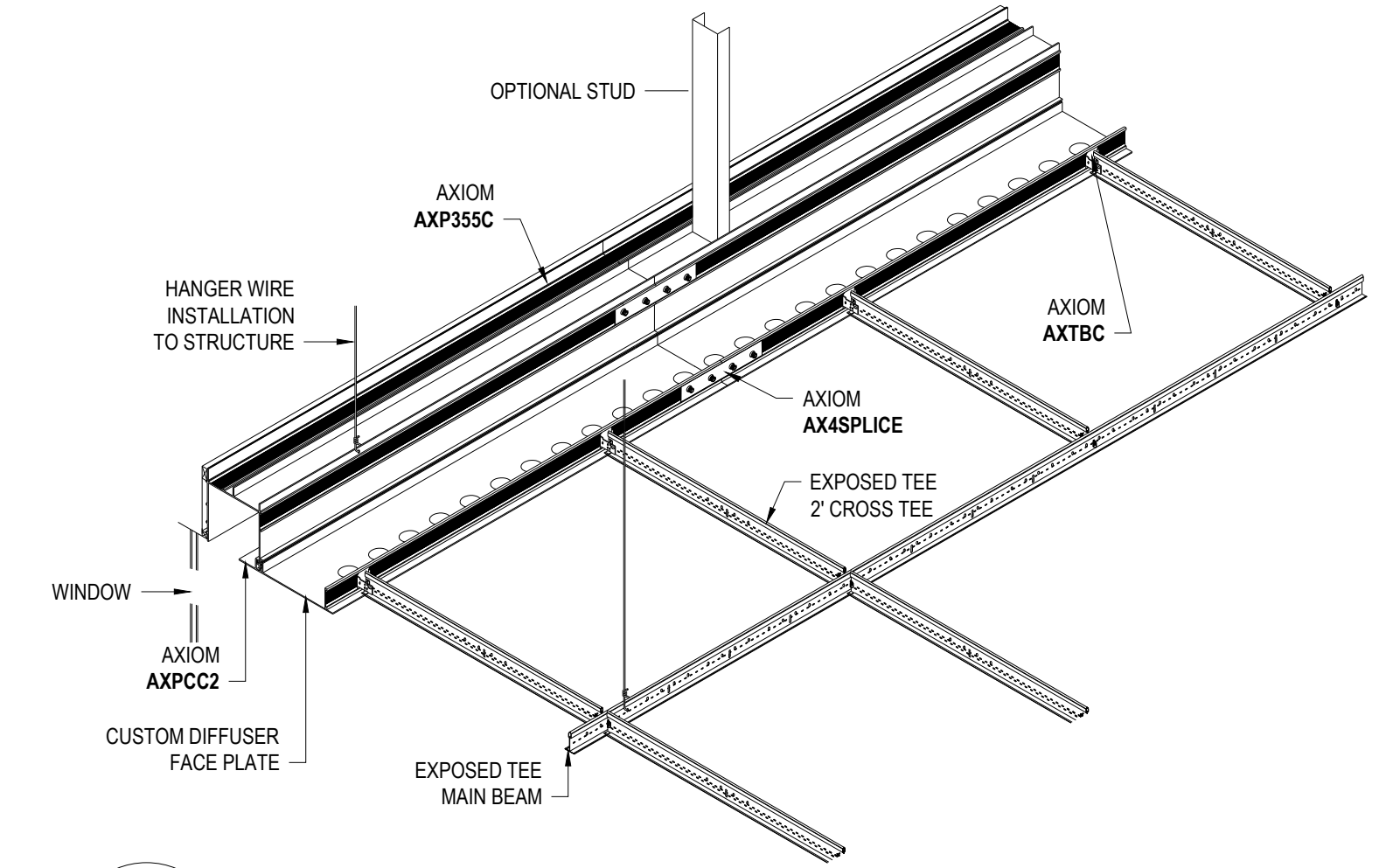
<small>These drawings show typical conditions in which the Armstrong product depicted is installed. They are not a substitute for an architect or engineer's plan and do not reflect the unique requirements of local building codes, laws, ordinances, rules and regulations (Legal Requirements) that may be applicable for a particular installation.</small> <small>Armstrong does not warrant, and assumes no liability for the accuracy or completeness of the drawings for a particular installation or their fitness for a particular purpose. The user is advised to consult with a duly licensed architect or engineer in the particular locale of the installation to assure compliance with all Legal Requirements.</small> <small>Armstrong is not licensed to provide professional architecture or engineering design services.</small>		PROJECT NAME: AXIOM BUILDING PERIMETER SYSTEM MASTER SHEET	
DWG. NO. A-A010-MS-08	DATE: 1/30/25	SCALE:	REV: . . DATE: . .
DRAWN BY: DAG	CHK BY:	DESC: . .	
TechLine ARMSTRONG CEILING SYSTEMS * ARMSTRONG WORLD INDUSTRIES, INC. * Lancaster, PA * Phone: 877-ARMSTRONG			



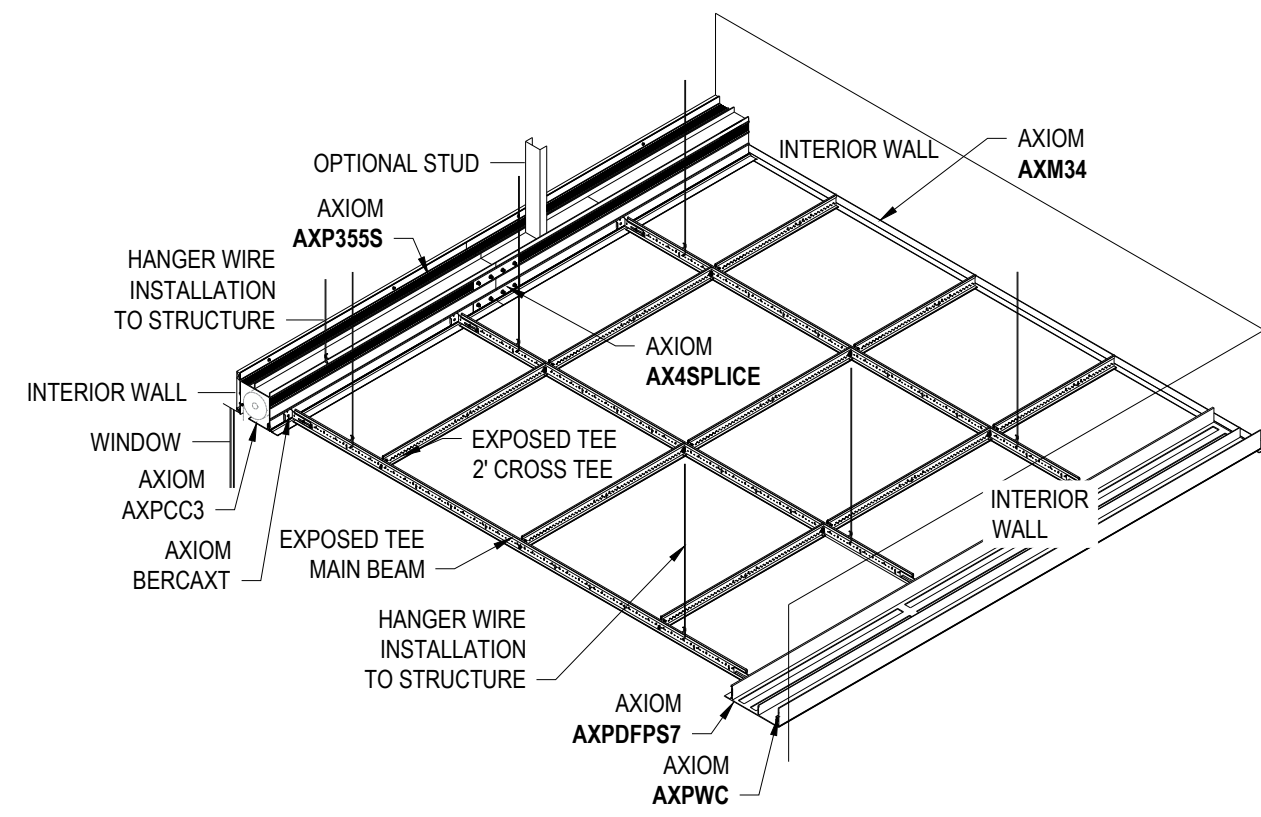
DD-106 AXIOM 3 SIDED POCKET EXTENSION WITH SEISMIC BRACING ISO



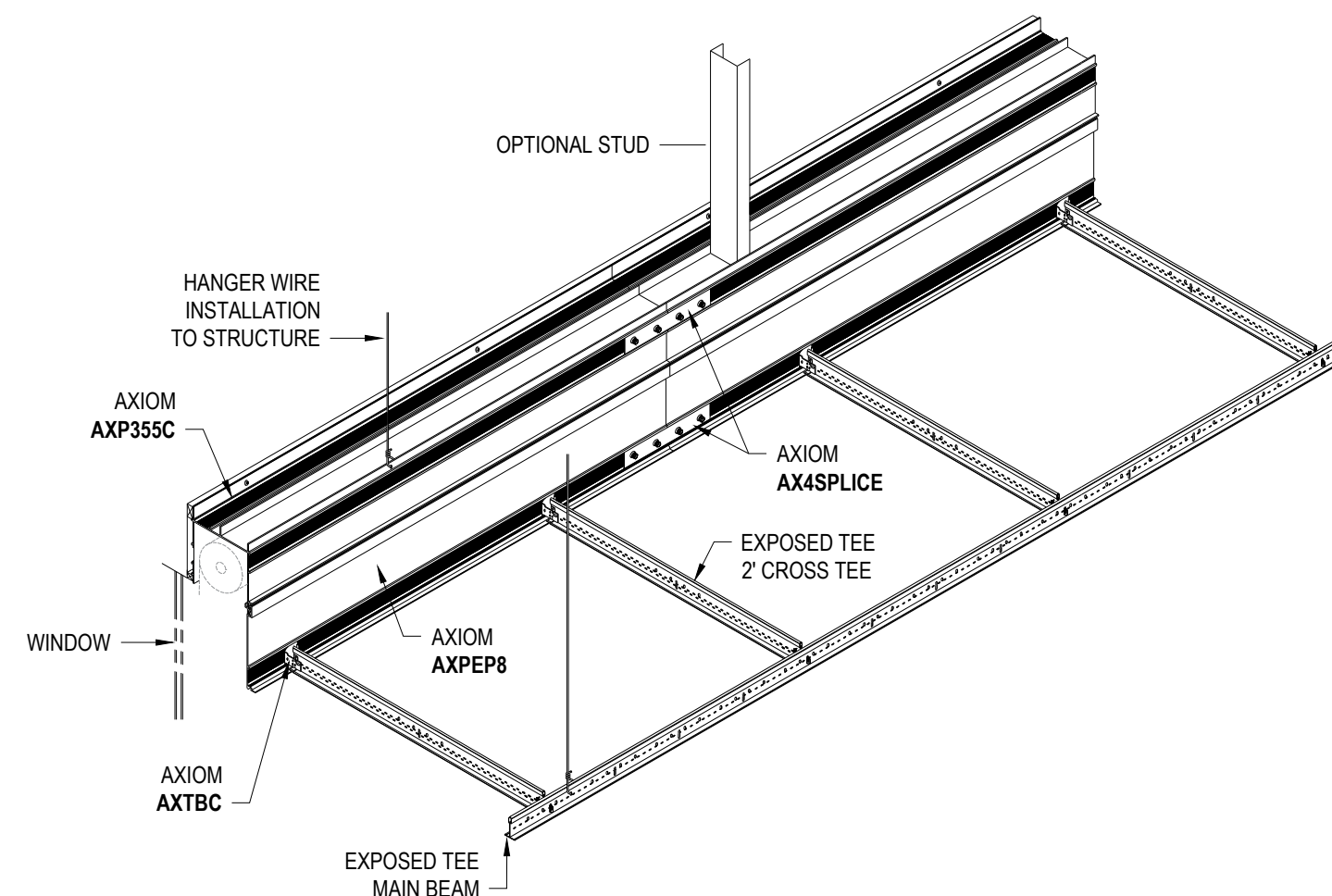
DD-107 AXIOM 3 SIDED PERIMETER POCKET APPLICATION



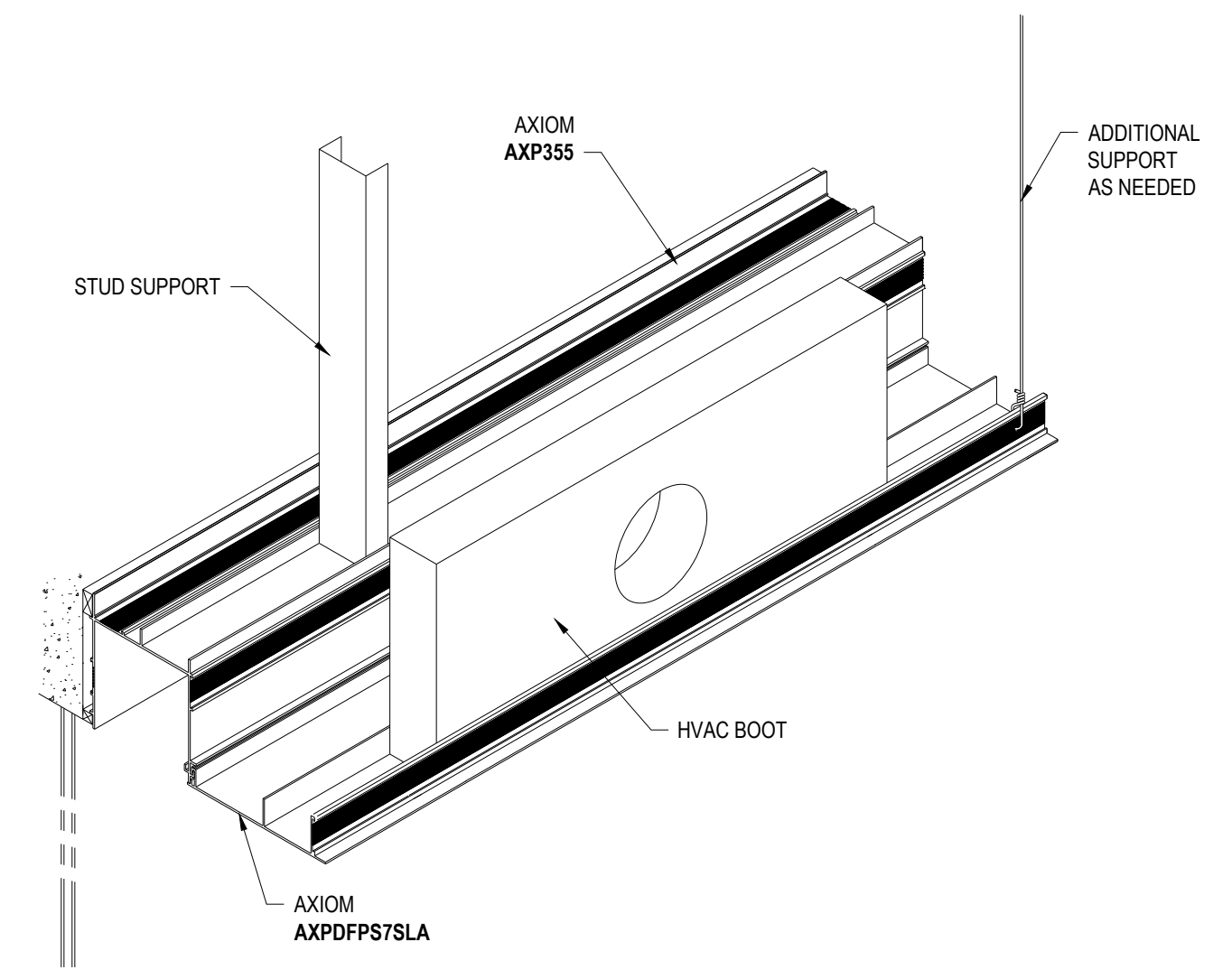
DD-108 AXIOM 3 SIDED PERIMETER POCKET CUSTOM FACE PLATE APPLICATION



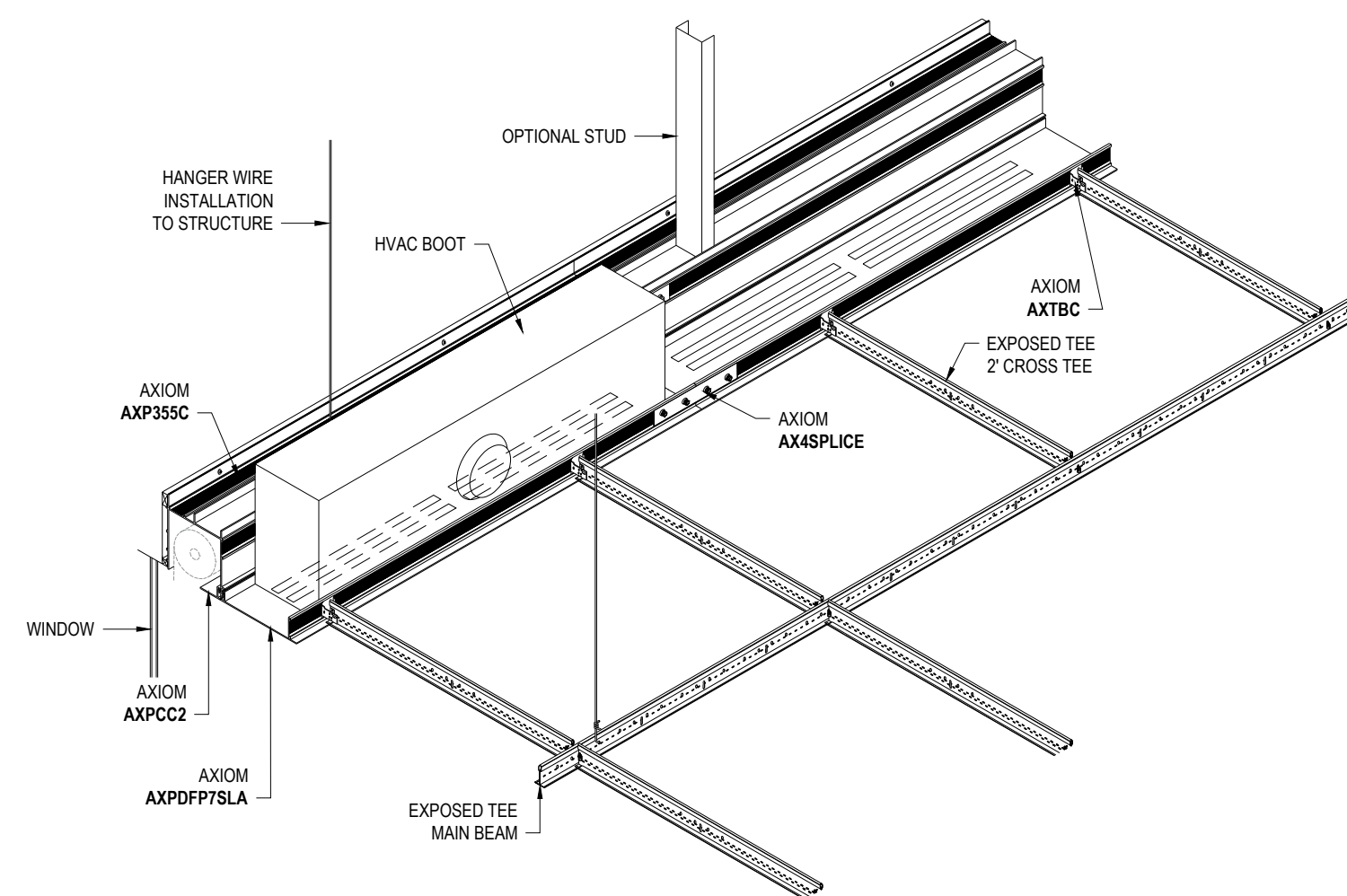
DD-109 AXIOM 3 SIDED PERIMETER POCKET SYSTEM APPLICATION



DD-110 AXIOM 3 SIDED PERIMETER POCKET EXTENSION APPLICATION



DD-111 AXIOM PERIMETER POCKET FREE FLOATING WITH HVAC BOOT



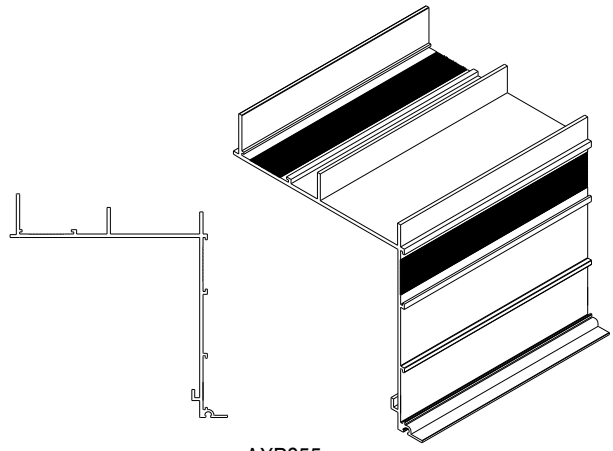
DD-112 AXIOM 3 SIDED PERIMETER POCKET FACE PLATE WITH HVAC BOOT APPLICATION

These drawings show typical conditions in which the Armstrong product depicted is installed. They are not a substitute for an architect's or engineer's plan and do not reflect the unique requirements of local building codes, laws, ordinances, rules and regulations (Legal Requirements) that may be applicable for a particular installation.

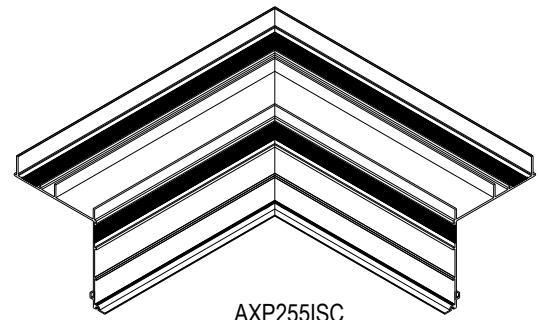
Armstrong does not warrant, and assumes no liability for the accuracy or completeness of the drawings for a particular installation or their fitness for a particular purpose. The user is advised to consult with a duly licensed architect or engineer in the particular locale of the installation to assure compliance with all Legal Requirements.

Armstrong is not licensed to provide professional architecture or engineering design services.

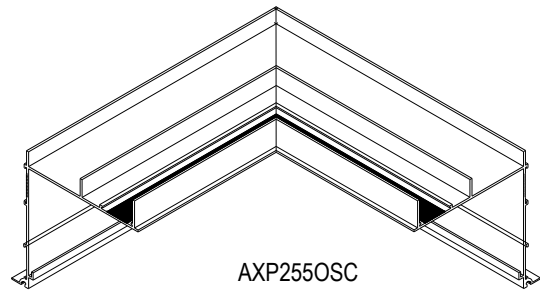
PROJECT NAME: AXIOM BUILDING PERIMETER SYSTEM MASTER SHEET		REV: .	DATE: .
DWG. NO: A-A010-MS-09	SCALE:	DESC: .	
DATE: 1/30/25	DRAWN BY: DAG	CHK BY:	



AXP255



AXP255ISC



AXP255OSC

DD-001 AXIOM PERIMETER AXP255

These drawings show typical conditions in which the Armstrong product depicted is installed. They are not a substitute for an architect's or engineer's plan and do not reflect the unique requirements of local building codes, laws, statutes, ordinances, rules and regulations (Legal Requirements) that may be applicable for a particular installation.

Armstrong does not warrant, and assumes no liability for the accuracy or completeness of the drawings for a particular installation or their fitness for a particular purpose. The user is advised to consult with a duly licensed architect or engineer in the particular locale of the installation to assure compliance with all Legal Requirements.

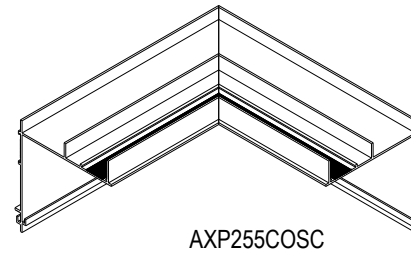
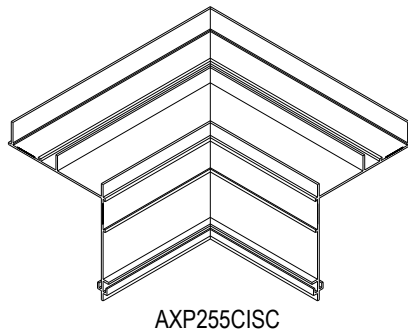
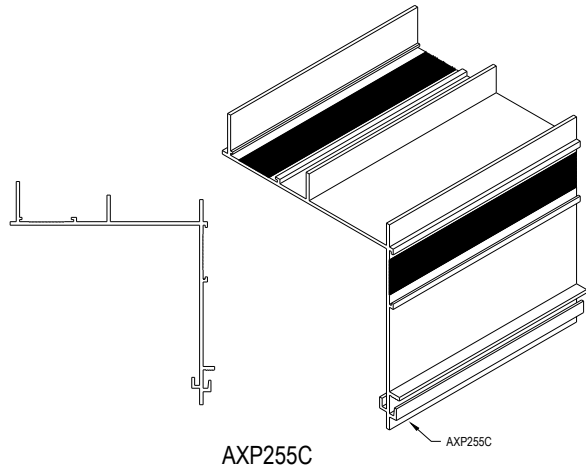
Armstrong is not licensed to provide professional architecture or engineering design services.

PROJECT NAME: AXIOM BUILDING PERIMETER MASTER SHEET AXIOM PERIMETER AXP225			
DWG. NO. A-A010-DD-001		REV: .	DATE: .
DATE: 1/30/25	SCALE: 1-1/2"=1'-0"	DESC.: .	
DRAWN BY: DAG	CHK BY: .		



CEILING & WALL SOLUTIONS * ARMSTRONG WORLD INDUSTRIES, INC. * Lancaster, PA * Phone: 877-ARMSTRONG





DD-002 AXIOM PERIMETER AXP255C

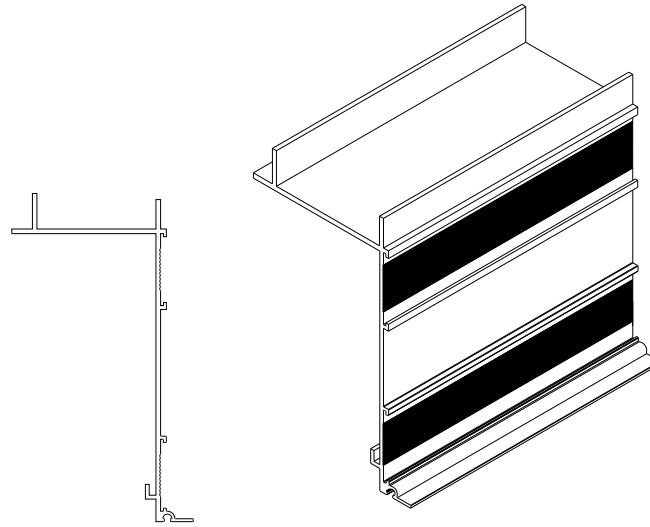
These drawings show typical conditions in which the Armstrong product depicted is installed. They are not a substitute for an architect's or engineer's plan and do not reflect the unique requirements of local building codes, laws, statutes, ordinances, rules and regulations (Legal Requirements) that may be applicable for a particular installation.

Armstrong does not warrant, and assumes no liability for the accuracy or completeness of the drawings for a particular installation or their fitness for a particular purpose. The user is advised to consult with a duly licensed architect or engineer in the particular locale of the installation to assure compliance with all Legal Requirements.

Armstrong is not licensed to provide professional architecture or engineering design services.

PROJECT NAME: AXIOM BUILDING PERIMETER MASTER SHEET
AXIOM PERIMETER AXP225C

DWG. NO. A-A010-DD-002		REV: .	DATE: .
DATE: 1/30/25	SCALE: 1-1/2"=1'-0"	DESC.: .	
DRAWN BY: DAG	CHK BY: .		



AXP255C

DD-003 AXIOM PERIMETER AXP236

These drawings show typical conditions in which the Armstrong product depicted is installed. They are not a substitute for an architect's or engineer's plan and do not reflect the unique requirements of local building codes, laws, statutes, ordinances, rules and regulations (Legal Requirements) that may be applicable for a particular installation.

Armstrong does not warrant, and assumes no liability for the accuracy or completeness of the drawings for a particular installation or their fitness for a particular purpose. The user is advised to consult with a duly licensed architect or engineer in the particular locale of the installation to assure compliance with all Legal Requirements.

Armstrong is not licensed to provide professional architecture or engineering design services.

PROJECT NAME: AXIOM BUILDING PERIMETER MASTER SHEET
AXIOM PERIMETER AXP236

DWG. NO. A-A010-DD-003

REV: . DATE: .

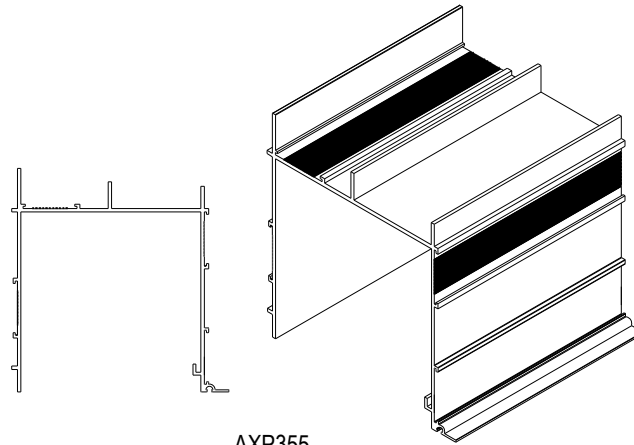
DATE: 1/30/25

SCALE: 3"=1'-0"

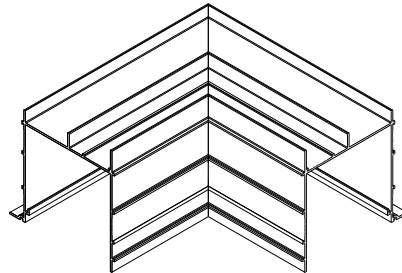
DESC.: .

DRAWN BY: DAG

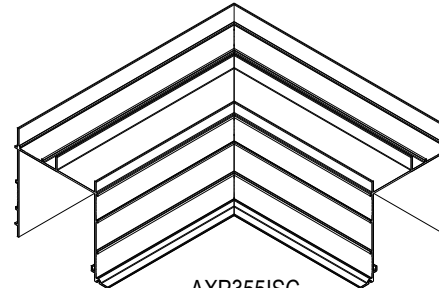
CHK BY: .



AXP355



AXP355OSC



AXP355ISC

DD-004 AXIOM PERIMETER AXP355

These drawings show typical conditions in which the Armstrong product depicted is installed. They are not a substitute for an architect's or engineer's plan and do not reflect the unique requirements of local building codes, laws, statutes, ordinances, rules and regulations (Legal Requirements) that may be applicable for a particular installation.

Armstrong does not warrant, and assumes no liability for the accuracy or completeness of the drawings for a particular installation or their fitness for a particular purpose. The user is advised to consult with a duly licensed architect or engineer in the particular locale of the installation to assure compliance with all Legal Requirements.

Armstrong is not licensed to provide professional architecture or engineering design services.

PROJECT NAME: **AXIOM BUILDING PERIMETER MASTER SHEET
AXIOM PERIMETER AXP355**

DWG. NO. **A-A010-DD-004**

REV: . DATE: .

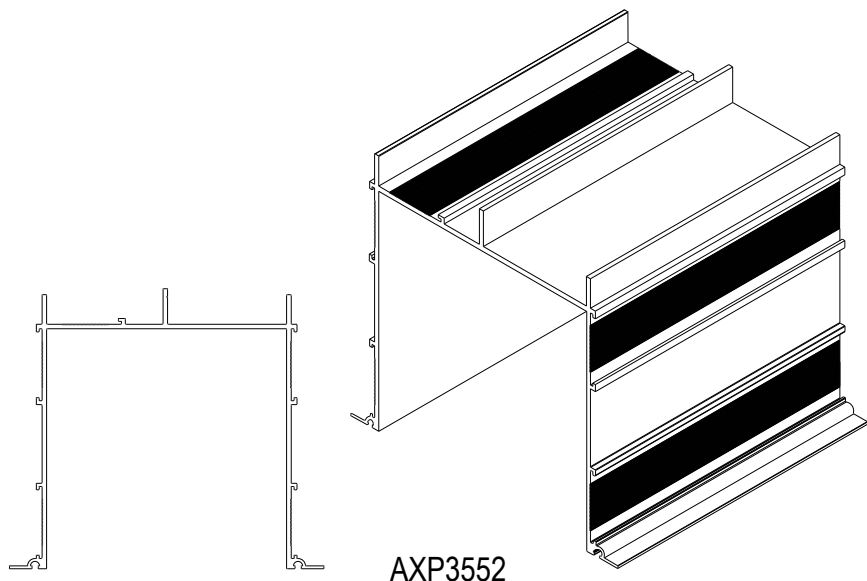
DATE: **1/30/25**

SCALE: **1-1/2"=1'-0"**

DESC.: .

DRAWN BY: **DAG**

CHK BY: .



AXP3552

DD-005 AXIOM PERIMETER AXP3552

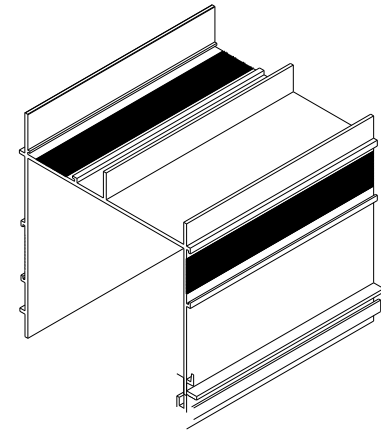
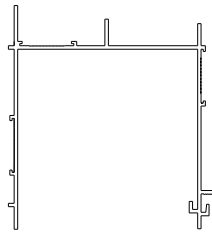
These drawings show typical conditions in which the Armstrong product depicted is installed. They are not a substitute for an architect's or engineer's plan and do not reflect the unique requirements of local building codes, laws, statutes, ordinances, rules and regulations (Legal Requirements) that may be applicable for a particular installation.

Armstrong does not warrant, and assumes no liability for the accuracy or completeness of the drawings for a particular installation or their fitness for a particular purpose. The user is advised to consult with a duly licensed architect or engineer in the particular locale of the installation to assure compliance with all Legal Requirements.

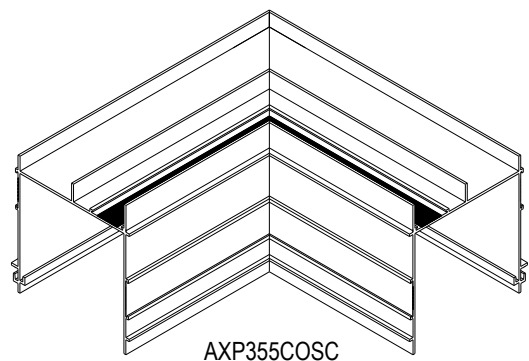
Armstrong is not licensed to provide professional architecture or engineering design services.

PROJECT NAME: AXIOM BUILDING PERIMETER MASTER SHEET AXIOM PERIMETER AXP3552			
DWG. NO. A-A010-DD-005		REV: .	DATE: .
DATE: 1/30/25	SCALE: 3"=1'-0"	DESC.: .	
DRAWN BY: DAG	CHK BY: .		

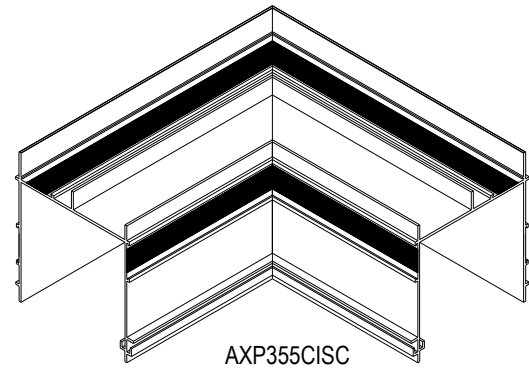




AXP355C



AXP355COSC



AXP355CISC

DD-006 AXIOM PERIMETER AXP355C

These drawings show typical conditions in which the Armstrong product depicted is installed. They are not a substitute for an architect's or engineer's plan and do not reflect the unique requirements of local building codes, laws, statutes, ordinances, rules and regulations (Legal Requirements) that may be applicable for a particular installation.

Armstrong does not warrant, and assumes no liability for the accuracy or completeness of the drawings for a particular installation or their fitness for a particular purpose. The user is advised to consult with a duly licensed architect or engineer in the particular locale of the installation to assure compliance with all Legal Requirements.

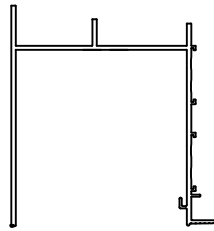
Armstrong is not licensed to provide professional architecture or engineering design services.

PROJECT NAME: AXIOM BUILDING PERIMETER MASTER SHEET			
AXIOM PERIMETER AXP355C			
DWG. NO. A-A010-DD-006	REV: .	DATE: .	
DATE: 1/30/25	SCALE: 1-1/2"=1'-0"	DESC.: .	
DRAWN BY: DAG	CHK BY: .		

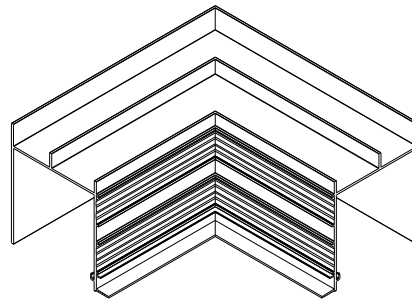
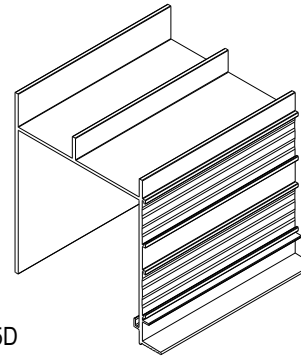


CEILING & WALL SOLUTIONS * ARMSTRONG WORLD INDUSTRIES, INC. * Lancaster, PA * Phone: 877-ARMSTRONG

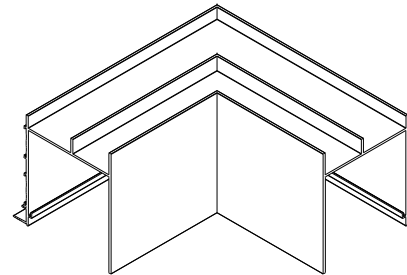




AXP355D



AXP355DISC



AXP355DOSC

DD-007

AXIOM PERIMETER AXP355D

These drawings show typical conditions in which the Armstrong product depicted is installed. They are not a substitute for an architect's or engineer's plan and do not reflect the unique requirements of local building codes, laws, statutes, ordinances, rules and regulations (Legal Requirements) that may be applicable for a particular installation.

Armstrong does not warrant, and assumes no liability for the accuracy or completeness of the drawings for a particular installation or their fitness for a particular purpose. The user is advised to consult with a duly licensed architect or engineer in the particular locale of the installation to assure compliance with all Legal Requirements.

Armstrong is not licensed to provide professional architecture or engineering design services.

PROJECT NAME: **AXIOM BUILDING PERIMETER MASTER SHEET
AXIOM PERIMETER AXP355D**

DWG. NO. **A-A010-DD-007**

REV: .

DATE: .

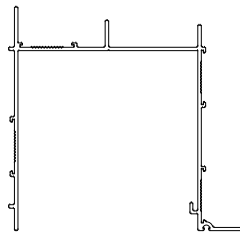
DATE: **1/30/25**

SCALE: **1-1/2"=1'-0"**

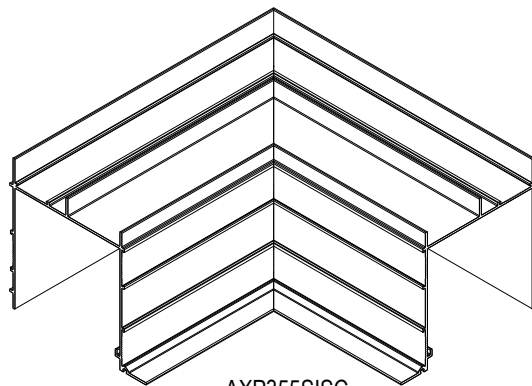
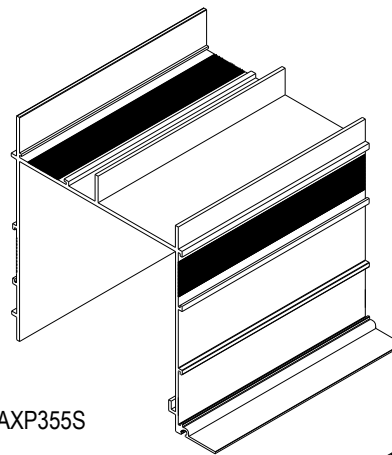
DESC.: .

DRAWN BY: **DAG**

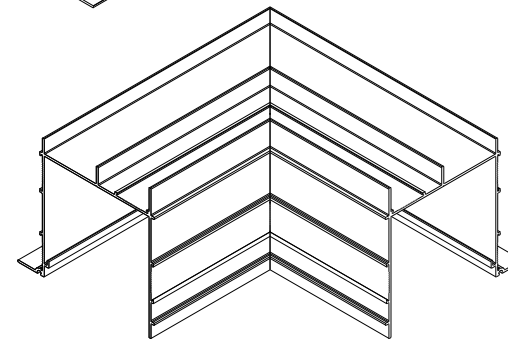
CHK BY: .



AXP355S



AXP355SISC



AXP355SOSC

DD-008 AXIOM PERIMETER AXP355S

These drawings show typical conditions in which the Armstrong product depicted is installed. They are not a substitute for an architect's or engineer's plan and do not reflect the unique requirements of local building codes, laws, statutes, ordinances, rules and regulations (Legal Requirements) that may be applicable for a particular installation.

Armstrong does not warrant, and assumes no liability for the accuracy or completeness of the drawings for a particular installation or their fitness for a particular purpose. The user is advised to consult with a duly licensed architect or engineer in the particular locale of the installation to assure compliance with all Legal Requirements.

Armstrong is not licensed to provide professional architecture or engineering design services.

PROJECT NAME: AXIOM BUILDING PERIMETER MASTER SHEET
AXIOM PERIMETER AXP355S

DWG. NO. A-A010-DD-008

REV: . DATE: .

DATE: 1/30/25

SCALE: 1-1/2"=1'-0"

DESC.: .

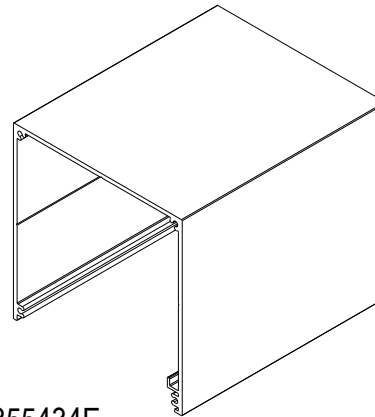
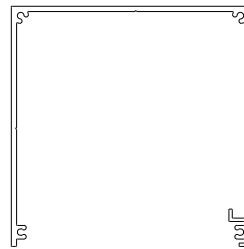
DRAWN BY: DAG

CHK BY: .



CEILING & WALL SOLUTIONS * ARMSTRONG WORLD INDUSTRIES, INC. * Lancaster, PA * Phone: 877-ARMSTRONG





AXP355434E

DD-009

AXIOM PERIMETER AXP35434E

These drawings show typical conditions in which the Armstrong product depicted is installed. They are not a substitute for an architect's or engineer's plan and do not reflect the unique requirements of local building codes, laws, statutes, ordinances, rules and regulations (Legal Requirements) that may be applicable for a particular installation.

Armstrong does not warrant, and assumes no liability for the accuracy or completeness of the drawings for a particular installation or their fitness for a particular purpose. The user is advised to consult with a duly licensed architect or engineer in the particular locale of the installation to assure compliance with all Legal Requirements.

Armstrong is not licensed to provide professional architecture or engineering design services.

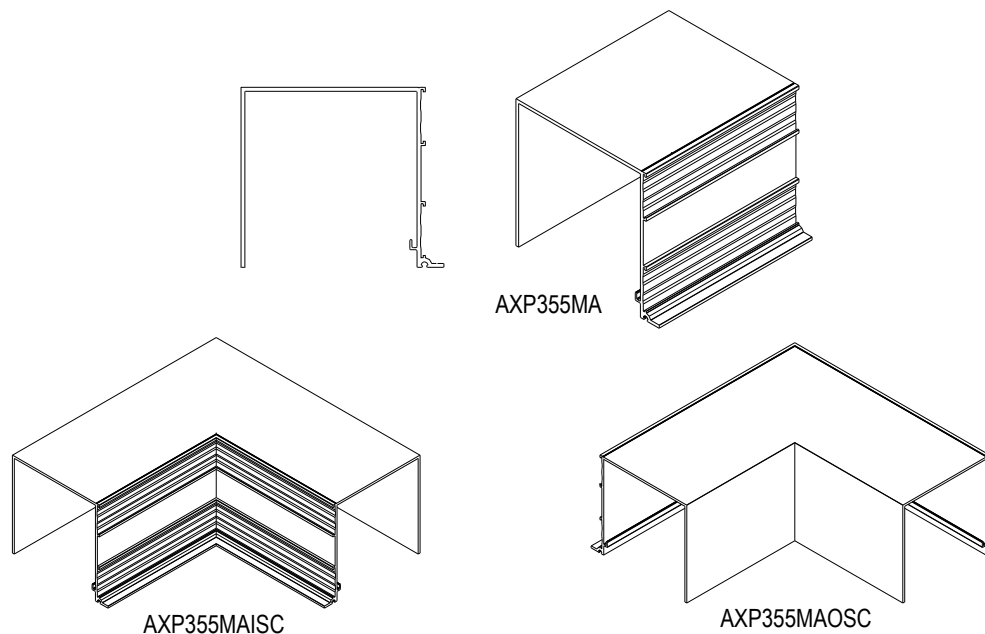
PROJECT NAME: **AXIOM BUILDING PERIMETER MASTER SHEET**
AXIOM PERIMETER AXP35434E

DWG. NO. A-A010-DD-009		REV: .	DATE: .
DATE: 1/30/25	SCALE: 3"=1'-0"	DESC.: .	
DRAWN BY: DAG	CHK BY: .		



CEILING & WALL SOLUTIONS * ARMSTRONG WORLD INDUSTRIES, INC. * Lancaster, PA * Phone: 877-ARMSTRONG





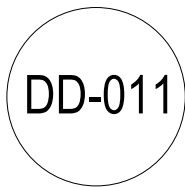
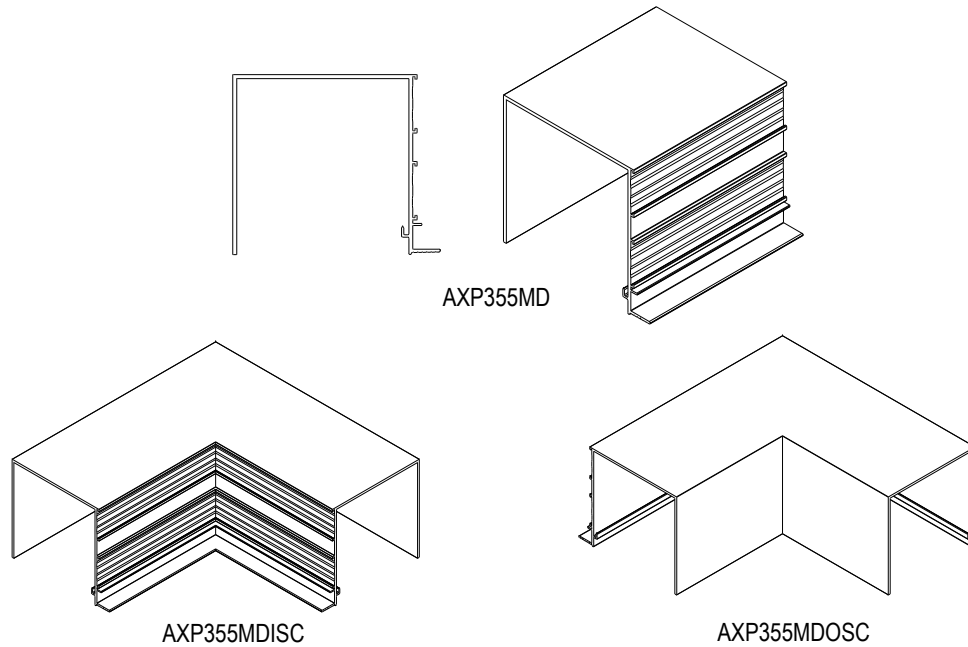
DD-010
AXIOM PERIMETER AXP355MA

These drawings show typical conditions in which the Armstrong product depicted is installed. They are not a substitute for an architect's or engineer's plan and do not reflect the unique requirements of local building codes, laws, statutes, ordinances, rules and regulations (Legal Requirements) that may be applicable for a particular installation.

Armstrong does not warrant, and assumes no liability for the accuracy or completeness of the drawings for a particular installation or their fitness for a particular purpose. The user is advised to consult with a duly licensed architect or engineer in the particular locale of the installation to assure compliance with all Legal Requirements.

Armstrong is not licensed to provide professional architecture or engineering design services.

PROJECT NAME: AXIOM BUILDING PERIMETER MASTER SHEET AXIOM PERIMETER AXP355MA			
DWG. NO. A-A010-DD-010	REV: .	DATE: .	
DATE: 1/30/25	SCALE: 1-1/2"=1'-0"	DESC.: .	
DRAWN BY: DAG	CHK BY: .		



AXIOM PERIMETER AXP355MD

These drawings show typical conditions in which the Armstrong product depicted is installed. They are not a substitute for an architect's or engineer's plan and do not reflect the unique requirements of local building codes, laws, statutes, ordinances, rules and regulations (Legal Requirements) that may be applicable for a particular installation.

Armstrong does not warrant, and assumes no liability for the accuracy or completeness of the drawings for a particular installation or their fitness for a particular purpose. The user is advised to consult with a duly licensed architect or engineer in the particular locale of the installation to assure compliance with all Legal Requirements.

Armstrong is not licensed to provide professional architecture or engineering design services.

PROJECT NAME: **AXIOM BUILDING PERIMETER MASTER SHEET
AXIOM PERIMETER AXP355MD**

DWG. NO. **A-A010-DD-011**

REV: .

DATE: .

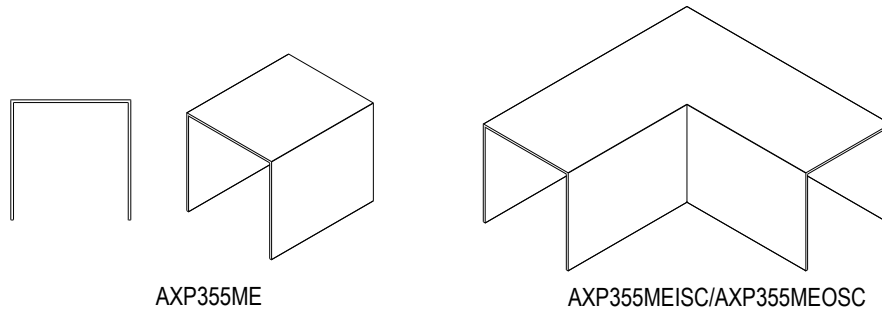
DATE: **1/30/25**

SCALE: **1-1/2"=1'-0"**

DESC.: .

DRAWN BY: **DAG**

CHK BY: .



AXP355ME

AXP355MEISC/AXP355MEOSC

DD-012 AXIOM PERIMETER AXP355ME

These drawings show typical conditions in which the Armstrong product depicted is installed. They are not a substitute for an architect's or engineer's plan and do not reflect the unique requirements of local building codes, laws, statutes, ordinances, rules and regulations (Legal Requirements) that may be applicable for a particular installation.

Armstrong does not warrant, and assumes no liability for the accuracy or completeness of the drawings for a particular installation or their fitness for a particular purpose. The user is advised to consult with a duly licensed architect or engineer in the particular locale of the installation to assure compliance with all Legal Requirements.

Armstrong is not licensed to provide professional architecture or engineering design services.

PROJECT NAME: **AXIOM BUILDING PERIMETER MASTER SHEET
AXIOM PERIMETER AXP355ME**

DWG. NO. **A-A010-DD-012**

REV: . DATE: .

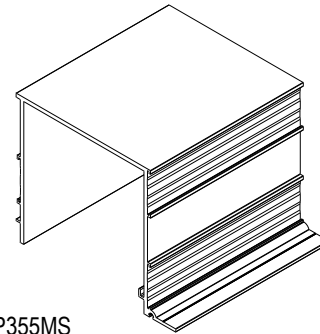
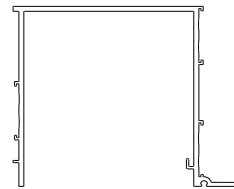
DATE: **1/30/25**

SCALE: **1-1/2"=1'-0"**

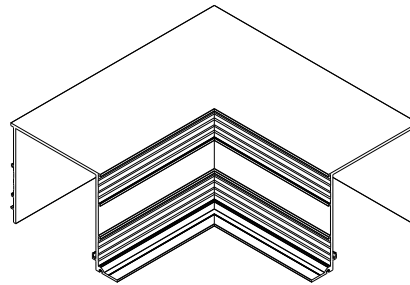
DESC.: .

DRAWN BY: **DAG**

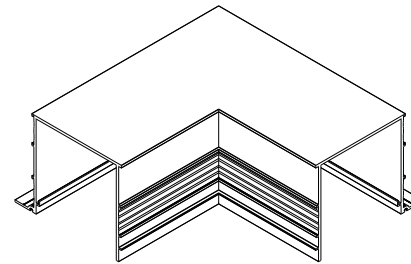
CHK BY: .



AXP355MS



AXP355MSISC



AXP355MSOSC

DD-013 AXIOM PERIMETER AXP355MS

These drawings show typical conditions in which the Armstrong product depicted is installed. They are not a substitute for an architect's or engineer's plan and do not reflect the unique requirements of local building codes, laws, statutes, ordinances, rules and regulations (Legal Requirements) that may be applicable for a particular installation.

Armstrong does not warrant, and assumes no liability for the accuracy or completeness of the drawings for a particular installation or their fitness for a particular purpose. The user is advised to consult with a duly licensed architect or engineer in the particular locale of the installation to assure compliance with all Legal Requirements.

Armstrong is not licensed to provide professional architecture or engineering design services.

PROJECT NAME: **AXIOM BUILDING PERIMETER MASTER SHEET**
AXIOM PERIMETER AXP355MS

DWG. NO. **A-A010-DD-013**

REV: .

DATE: .

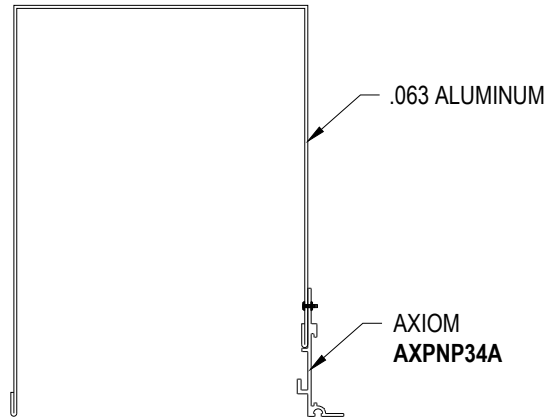
DATE: **1/30/25**

SCALE: **1-1/2"=1'-0"**

DESC.: .

DRAWN BY: **DAG**

CHK BY: .



DD-014
AXIOM PERIMETER AXP3685A

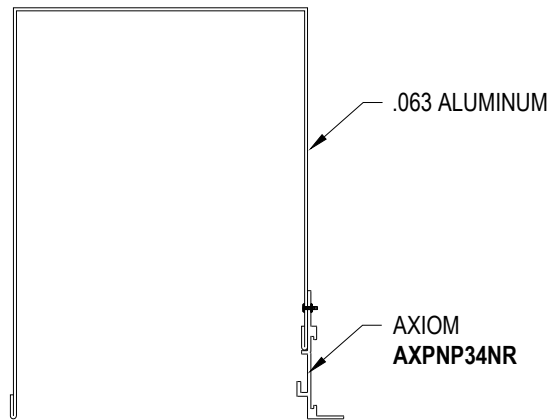
These drawings show typical conditions in which the Armstrong product depicted is installed. They are not a substitute for an architect's or engineer's plan and do not reflect the unique requirements of local building codes, laws, statutes, ordinances, rules and regulations (Legal Requirements) that may be applicable for a particular installation.

Armstrong does not warrant, and assumes no liability for the accuracy or completeness of the drawings for a particular installation or their fitness for a particular purpose. The user is advised to consult with a duly licensed architect or engineer in the particular locale of the installation to assure compliance with all Legal Requirements.

Armstrong is not licensed to provide professional architecture or engineering design services.

PROJECT NAME: **AXIOM BUILDING PERIMETER MASTER SHEET**
AXIOM PERIMETER AXP3685A

DWG. NO. A-A010-DD-014	REV: .	DATE: .
DATE: 1/30/25	SCALE: 3"=1'-0"	DESC.: .
DRAWN BY: DAG	CHK BY: .	



DD-015 AXIOM PERIMETER AXP3685AN

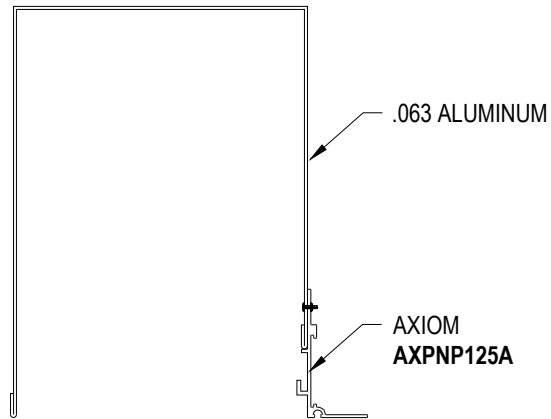
These drawings show typical conditions in which the Armstrong product depicted is installed. They are not a substitute for an architect's or engineer's plan and do not reflect the unique requirements of local building codes, laws, statutes, ordinances, rules and regulations (Legal Requirements) that may be applicable for a particular installation.

Armstrong does not warrant, and assumes no liability for the accuracy or completeness of the drawings for a particular installation or their fitness for a particular purpose. The user is advised to consult with a duly licensed architect or engineer in the particular locale of the installation to assure compliance with all Legal Requirements.

Armstrong is not licensed to provide professional architecture or engineering design services.

PROJECT NAME: AXIOM BUILDING PERIMETER MASTER SHEET
AXIOM PERIMETER AXP3685AN

DWG. NO. A-A010-DD-015		REV: .	DATE: .
DATE: 1/30/25	SCALE: 3"=1'-0"	DESC.: .	
DRAWN BY: DAG	CHK BY: .		



DD-016 AXIOM PERIMETER AXP3685S

These drawings show typical conditions in which the Armstrong product depicted is installed. They are not a substitute for an architect's or engineer's plan and do not reflect the unique requirements of local building codes, laws, statutes, ordinances, rules and regulations (Legal Requirements) that may be applicable for a particular installation.

Armstrong does not warrant, and assumes no liability for the accuracy or completeness of the drawings for a particular installation or their fitness for a particular purpose. The user is advised to consult with a duly licensed architect or engineer in the particular locale of the installation to assure compliance with all Legal Requirements.

Armstrong is not licensed to provide professional architecture or engineering design services.

PROJECT NAME: **AXIOM BUILDING PERIMETER MASTER SHEET**
AXIOM PERIMETER AXP3685S

DWG. NO. **A-A010-DD-016**

REV: . DATE: .

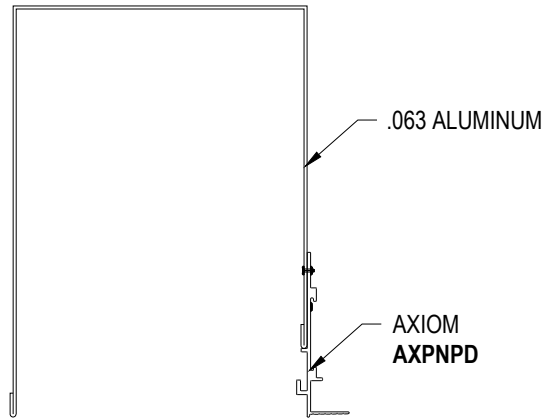
DATE: **1/30/25**

SCALE: **3"=1'-0"**

DESC.: .

DRAWN BY: **DAG**

CHK BY: .



DD-017
AXIOM PERIMETER AXP3685D

These drawings show typical conditions in which the Armstrong product depicted is installed. They are not a substitute for an architect's or engineer's plan and do not reflect the unique requirements of local building codes, laws, statutes, ordinances, rules and regulations (Legal Requirements) that may be applicable for a particular installation.

Armstrong does not warrant, and assumes no liability for the accuracy or completeness of the drawings for a particular installation or their fitness for a particular purpose. The user is advised to consult with a duly licensed architect or engineer in the particular locale of the installation to assure compliance with all Legal Requirements.

Armstrong is not licensed to provide professional architecture or engineering design services.

PROJECT NAME: **AXIOM BUILDING PERIMETER MASTER SHEET**
AXIOM PERIMETER AXP3685D

DWG. NO. **A-A010-DD-017**

REV: . DATE: .

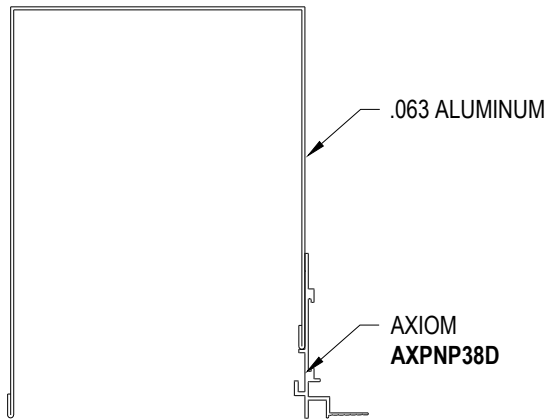
DATE: **1/30/25**

SCALE: **3"=1'-0"**

DESC.: .

DRAWN BY: **DAG**

CHK BY: .



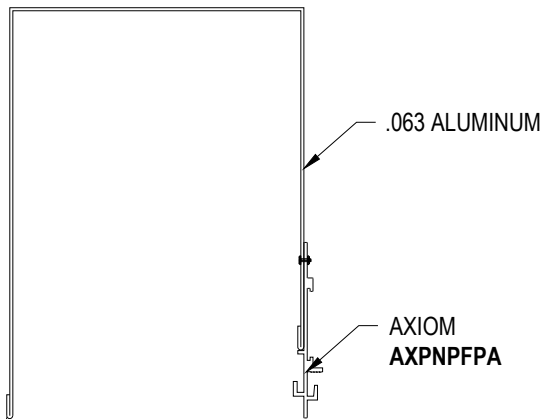
DD-018
AXIOM PERIMETER AXP3685DR

These drawings show typical conditions in which the Armstrong product depicted is installed. They are not a substitute for an architect's or engineer's plan and do not reflect the unique requirements of local building codes, laws, statutes, ordinances, rules and regulations (Legal Requirements) that may be applicable for a particular installation.

Armstrong does not warrant, and assumes no liability for the accuracy or completeness of the drawings for a particular installation or their fitness for a particular purpose. The user is advised to consult with a duly licensed architect or engineer in the particular locale of the installation to assure compliance with all Legal Requirements.

Armstrong is not licensed to provide professional architecture or engineering design services.

PROJECT NAME: AXIOM BUILDING PERIMETER MASTER SHEET AXIOM PERIMETER AXP3685DR			
DWG. NO. A-A010-DD-018	REV: .	DATE: .	
DATE: 1/30/25	SCALE: 3"=1'-0"	DESC.: .	
DRAWN BY: DAG	CHK BY: .		



DD-019
AXIOM PERIMETER AXP3685F

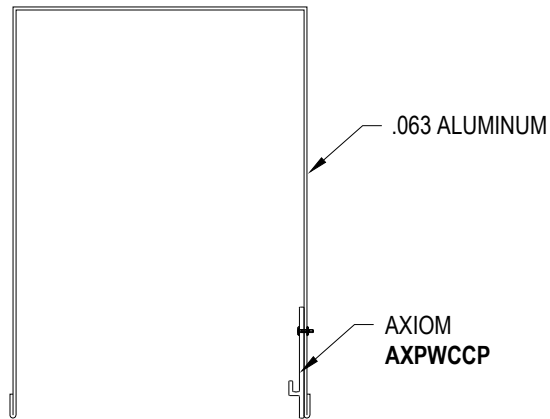
These drawings show typical conditions in which the Armstrong product depicted is installed. They are not a substitute for an architect's or engineer's plan and do not reflect the unique requirements of local building codes, laws, statutes, ordinances, rules and regulations (Legal Requirements) that may be applicable for a particular installation.

Armstrong does not warrant, and assumes no liability for the accuracy or completeness of the drawings for a particular installation or their fitness for a particular purpose. The user is advised to consult with a duly licensed architect or engineer in the particular locale of the installation to assure compliance with all Legal Requirements.

Armstrong is not licensed to provide professional architecture or engineering design services.

PROJECT NAME: **AXIOM BUILDING PERIMETER MASTER SHEET**
AXIOM PERIMETER AXP3685F

DWG. NO. A-A010-DD-019	REV: .	DATE: .
DATE: 1/30/25	SCALE: 3"=1'-0"	DESC.: .
DRAWN BY: DAG	CHK BY: .	



DD-020

AXIOM PERIMETER AXP3685WC

These drawings show typical conditions in which the Armstrong product depicted is installed. They are not a substitute for an architect's or engineer's plan and do not reflect the unique requirements of local building codes, laws, statutes, ordinances, rules and regulations (Legal Requirements) that may be applicable for a particular installation.

Armstrong does not warrant, and assumes no liability for the accuracy or completeness of the drawings for a particular installation or their fitness for a particular purpose. The user is advised to consult with a duly licensed architect or engineer in the particular locale of the installation to assure compliance with all Legal Requirements.

Armstrong is not licensed to provide professional architecture or engineering design services.

PROJECT NAME: **AXIOM BUILDING PERIMETER MASTER SHEET**
AXIOM PERIMETER AXP3685WC

DWG. NO. **A-A010-DD-020**

REV: . DATE: .

DATE: **1/30/25**

SCALE: **3"=1'-0"**

DESC.: .

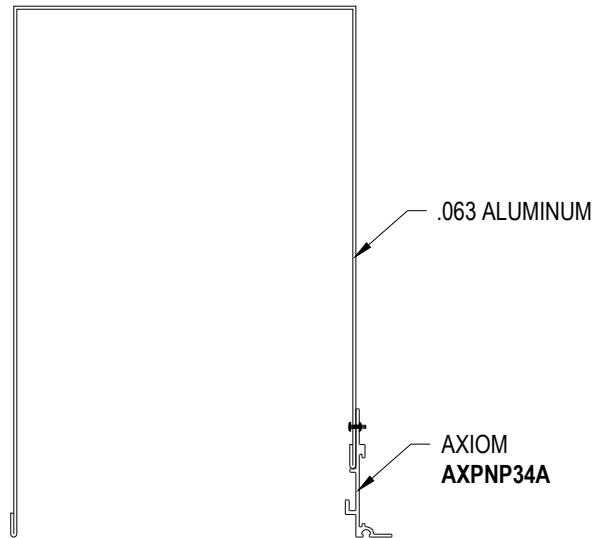
DRAWN BY: **DAG**

CHK BY: .



CEILING & WALL SOLUTIONS * ARMSTRONG WORLD INDUSTRIES, INC. * Lancaster, PA * Phone: 877-ARMSTRONG





DD-021
AXIOM PERIMETER AXP3711A

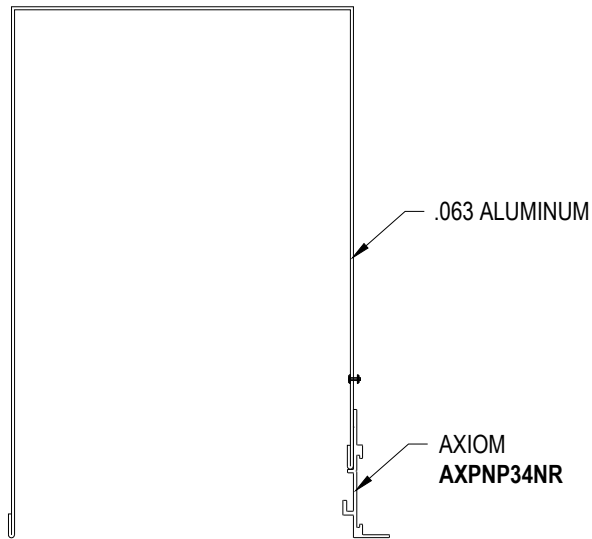
These drawings show typical conditions in which the Armstrong product depicted is installed. They are not a substitute for an architect's or engineer's plan and do not reflect the unique requirements of local building codes, laws, statutes, ordinances, rules and regulations (Legal Requirements) that may be applicable for a particular installation.

Armstrong does not warrant, and assumes no liability for the accuracy or completeness of the drawings for a particular installation or their fitness for a particular purpose. The user is advised to consult with a duly licensed architect or engineer in the particular locale of the installation to assure compliance with all Legal Requirements.

Armstrong is not licensed to provide professional architecture or engineering design services.

PROJECT NAME: **AXIOM BUILDING PERIMETER MASTER SHEET**
AXIOM PERIMETER AXP3711A

DWG. NO. A-A010-DD-021	REV: .	DATE: .
DATE: 1/30/25	SCALE: 3"=1'-0"	DESC.: .
DRAWN BY: DAG	CHK BY: .	



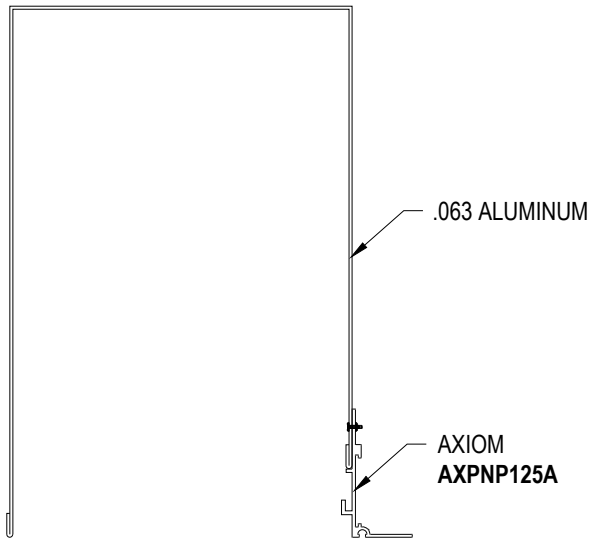
DD-022
AXIOM PERIMETER AXP3711AN

These drawings show typical conditions in which the Armstrong product depicted is installed. They are not a substitute for an architect's or engineer's plan and do not reflect the unique requirements of local building codes, laws, statutes, ordinances, rules and regulations (Legal Requirements) that may be applicable for a particular installation.

Armstrong does not warrant, and assumes no liability for the accuracy or completeness of the drawings for a particular installation or their fitness for a particular purpose. The user is advised to consult with a duly licensed architect or engineer in the particular locale of the installation to assure compliance with all Legal Requirements.

Armstrong is not licensed to provide professional architecture or engineering design services.

PROJECT NAME: AXIOM BUILDING PERIMETER MASTER SHEET AXIOM PERIMETER AXP3711AN			
DWG. NO. A-A010-DD-022	REV: .	DATE: .	
DATE: 1/30/25	SCALE: 3"=1'-0"	DESC.: .	
DRAWN BY: DAG	CHK BY: .		



DD-023 AXIOM PERIMETER AXP3711S

These drawings show typical conditions in which the Armstrong product depicted is installed. They are not a substitute for an architect's or engineer's plan and do not reflect the unique requirements of local building codes, laws, statutes, ordinances, rules and regulations (Legal Requirements) that may be applicable for a particular installation.

Armstrong does not warrant, and assumes no liability for the accuracy or completeness of the drawings for a particular installation or their fitness for a particular purpose. The user is advised to consult with a duly licensed architect or engineer in the particular locale of the installation to assure compliance with all Legal Requirements.

Armstrong is not licensed to provide professional architecture or engineering design services.

PROJECT NAME: **AXIOM BUILDING PERIMETER MASTER SHEET**
AXIOM PERIMETER AXP3711S

DWG. NO. **A-A010-DD-023**

REV: .

DATE: .

DATE: **1/30/25**

SCALE: **3"=1'-0"**

DESC.: .

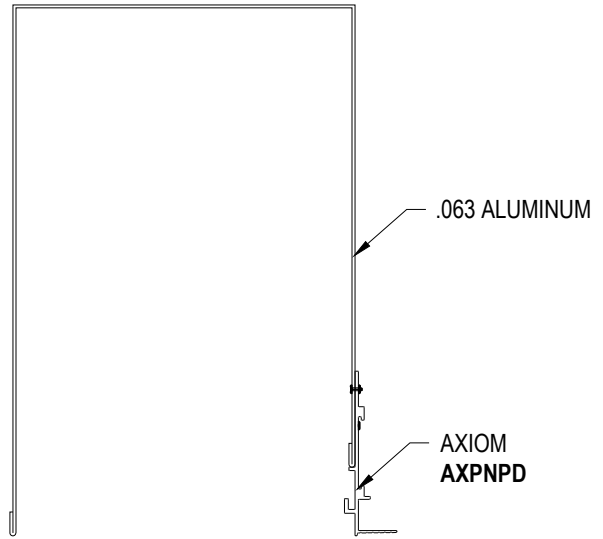
DRAWN BY: **DAG**

CHK BY: .



CEILING & WALL SOLUTIONS * ARMSTRONG WORLD INDUSTRIES, INC. * Lancaster, PA * Phone: 877-ARMSTRONG





DD-024 AXIOM PERIMETER AXP3711D

These drawings show typical conditions in which the Armstrong product depicted is installed. They are not a substitute for an architect's or engineer's plan and do not reflect the unique requirements of local building codes, laws, statutes, ordinances, rules and regulations (Legal Requirements) that may be applicable for a particular installation.

Armstrong does not warrant, and assumes no liability for the accuracy or completeness of the drawings for a particular installation or their fitness for a particular purpose. The user is advised to consult with a duly licensed architect or engineer in the particular locale of the installation to assure compliance with all Legal Requirements.

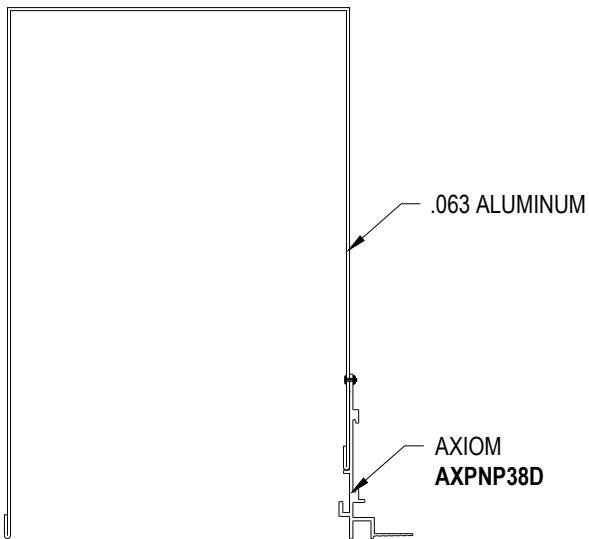
Armstrong is not licensed to provide professional architecture or engineering design services.

PROJECT NAME: AXIOM BUILDING PERIMETER MASTER SHEET AXIOM PERIMETER AXP3711D			
DWG. NO. A-A010-DD-024		REV: .	DATE: .
DATE: 1/30/25	SCALE: 3"=1'-0"	DESC.: .	
DRAWN BY: DAG	CHK BY: .		



CEILING & WALL SOLUTIONS * ARMSTRONG WORLD INDUSTRIES, INC. * Lancaster, PA * Phone: 877-ARMSTRONG





DD-025 AXIOM PERIMETER AXP3711DR

These drawings show typical conditions in which the Armstrong product depicted is installed. They are not a substitute for an architect's or engineer's plan and do not reflect the unique requirements of local building codes, laws, statutes, ordinances, rules and regulations (Legal Requirements) that may be applicable for a particular installation.

Armstrong does not warrant, and assumes no liability for the accuracy or completeness of the drawings for a particular installation or their fitness for a particular purpose. The user is advised to consult with a duly licensed architect or engineer in the particular locale of the installation to assure compliance with all Legal Requirements.

Armstrong is not licensed to provide professional architecture or engineering design services.

PROJECT NAME: AXIOM BUILDING PERIMETER MASTER SHEET
AXIOM PERIMETER AXP3711DR

DWG. NO. A-A010-DD-025

REV: .

DATE: .

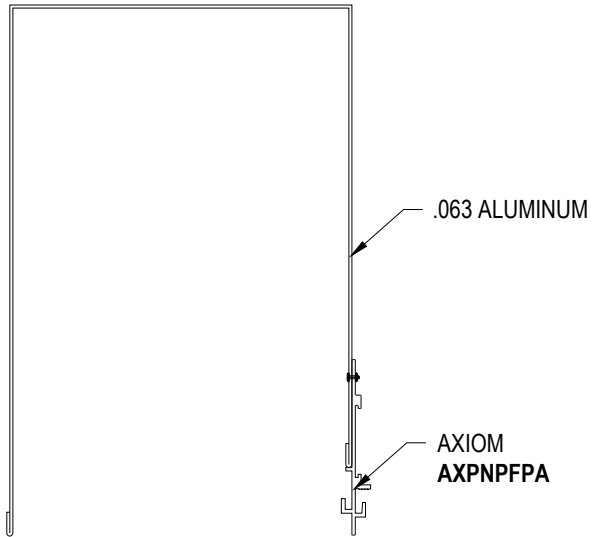
DATE: 1/30/25

SCALE: 3"=1'-0"

DESC.: .

DRAWN BY: DAG

CHK BY: .



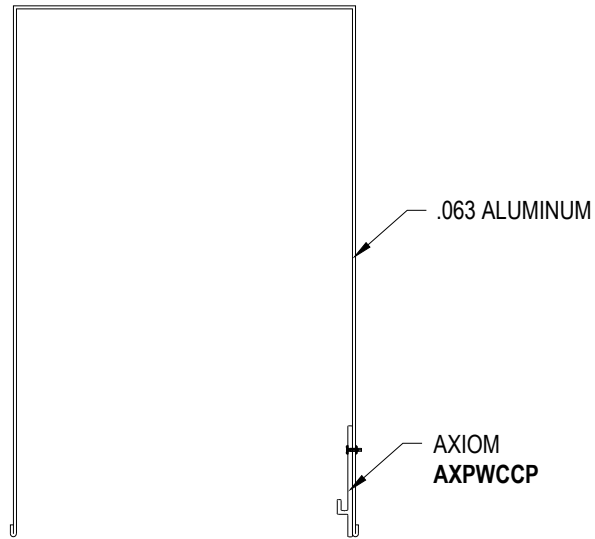
DD-026 AXIOM PERIMETER AXP3711F

These drawings show typical conditions in which the Armstrong product depicted is installed. They are not a substitute for an architect's or engineer's plan and do not reflect the unique requirements of local building codes, laws, statutes, ordinances, rules and regulations (Legal Requirements) that may be applicable for a particular installation.

Armstrong does not warrant, and assumes no liability for the accuracy or completeness of the drawings for a particular installation or their fitness for a particular purpose. The user is advised to consult with a duly licensed architect or engineer in the particular locale of the installation to assure compliance with all Legal Requirements.

Armstrong is not licensed to provide professional architecture or engineering design services.

PROJECT NAME: AXIOM BUILDING PERIMETER MASTER SHEET AXIOM PERIMETER AXP3711F			
DWG. NO. A-A010-DD-026		REV: .	DATE: .
DATE: 1/30/25	SCALE: 3"=1'-0"	DESC.: .	
DRAWN BY: DAG	CHK BY: .		



DD-027 AXIOM PERIMETER AXP3711WC

These drawings show typical conditions in which the Armstrong product depicted is installed. They are not a substitute for an architect's or engineer's plan and do not reflect the unique requirements of local building codes, laws, statutes, ordinances, rules and regulations (Legal Requirements) that may be applicable for a particular installation.

Armstrong does not warrant, and assumes no liability for the accuracy or completeness of the drawings for a particular installation or their fitness for a particular purpose. The user is advised to consult with a duly licensed architect or engineer in the particular locale of the installation to assure compliance with all Legal Requirements.

Armstrong is not licensed to provide professional architecture or engineering design services.

PROJECT NAME: AXIOM BUILDING PERIMETER MASTER SHEET
AXIOM PERIMETER AXP3711WC

DWG. NO. A-A010-DD-027

REV: . DATE: .

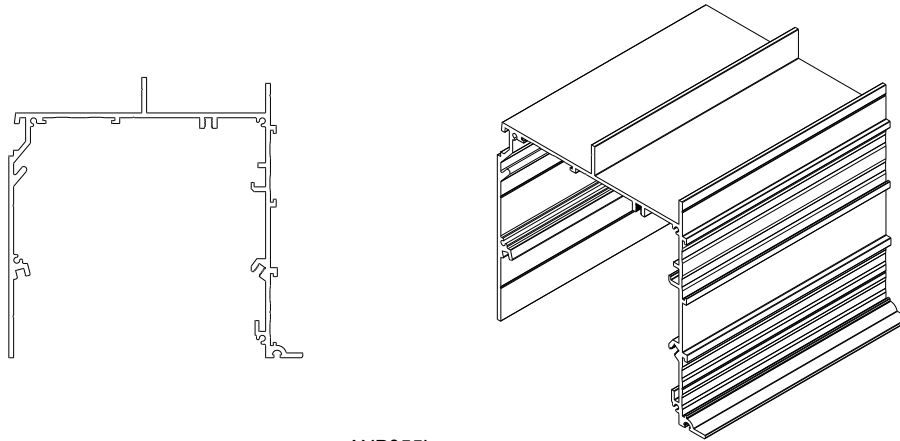
DATE: 1/30/25

SCALE: 3"=1'-0"

DESC.: .

DRAWN BY: DAG

CHK BY: .



AXP355L

DD-028 AXIOM PERIMETER AXP355L

These drawings show typical conditions in which the Armstrong product depicted is installed. They are not a substitute for an architect's or engineer's plan and do not reflect the unique requirements of local building codes, laws, statutes, ordinances, rules and regulations (Legal Requirements) that may be applicable for a particular installation.

Armstrong does not warrant, and assumes no liability for the accuracy or completeness of the drawings for a particular installation or their fitness for a particular purpose. The user is advised to consult with a duly licensed architect or engineer in the particular locale of the installation to assure compliance with all Legal Requirements.

Armstrong is not licensed to provide professional architecture or engineering design services.

PROJECT NAME: AXIOM BUILDING PERIMETER MASTER SHEET
AXIOM PERIMETER AXP355L

DWG. NO. A-A010-DD-028

REV: . DATE: .

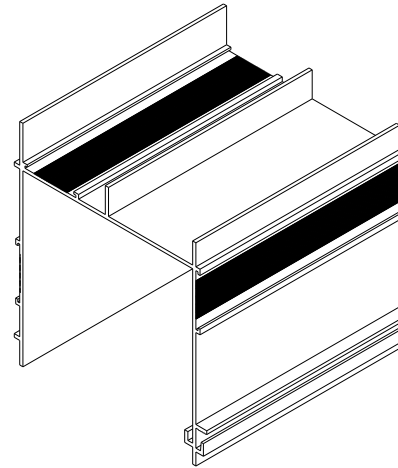
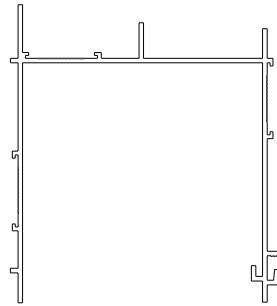
DATE: 1/30/25

SCALE: 3"=1'-0"

DESC.: .

DRAWN BY: DAG

CHK BY: .



AXP355LC

DD-029 AXIOM PERIMETER AXP355LC

These drawings show typical conditions in which the Armstrong product depicted is installed. They are not a substitute for an architect's or engineer's plan and do not reflect the unique requirements of local building codes, laws, statutes, ordinances, rules and regulations (Legal Requirements) that may be applicable for a particular installation.

Armstrong does not warrant, and assumes no liability for the accuracy or completeness of the drawings for a particular installation or their fitness for a particular purpose. The user is advised to consult with a duly licensed architect or engineer in the particular locale of the installation to assure compliance with all Legal Requirements.

Armstrong is not licensed to provide professional architecture or engineering design services.

PROJECT NAME: **AXIOM BUILDING PERIMETER MASTER SHEET**
AXIOM PERIMETER AXP355LC

DWG. NO. **A-A010-DD-029**

REV: . DATE: .

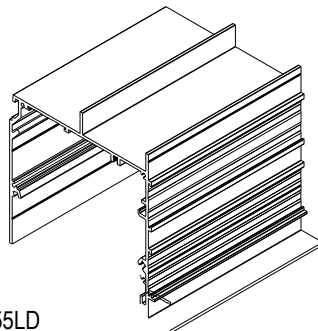
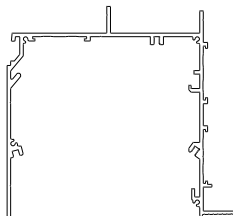
DATE: **1/30/25**

SCALE: **3"=1'-0"**

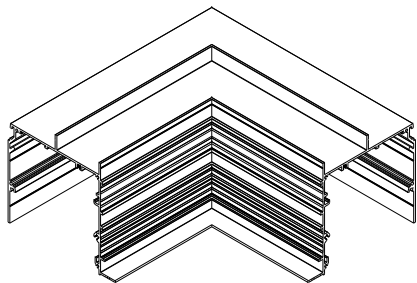
DESC.: .

DRAWN BY: **DAG**

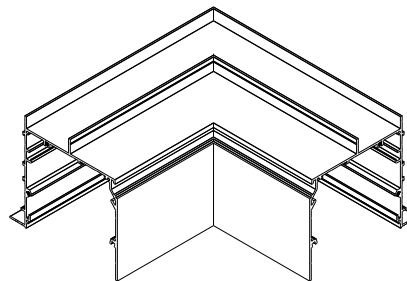
CHK BY: .



AXP355LD



AXP355LDISC



AXP355LDOSC

DD-030 AXIOM PERIMETER AXP355LD

These drawings show typical conditions in which the Armstrong product depicted is installed. They are not a substitute for an architect's or engineer's plan and do not reflect the unique requirements of local building codes, laws, statutes, ordinances, rules and regulations (Legal Requirements) that may be applicable for a particular installation.

Armstrong does not warrant, and assumes no liability for the accuracy or completeness of the drawings for a particular installation or their fitness for a particular purpose. The user is advised to consult with a duly licensed architect or engineer in the particular locale of the installation to assure compliance with all Legal Requirements.

Armstrong is not licensed to provide professional architecture or engineering design services.

PROJECT NAME: **AXIOM BUILDING PERIMETER MASTER SHEET**
AXIOM PERIMETER AXP355LD

DWG. NO. **A-A010-DD-030**

REV: . DATE: .

DATE: **1/30/25**

SCALE: **1-1/2"=1'-0"**

DESC.: .

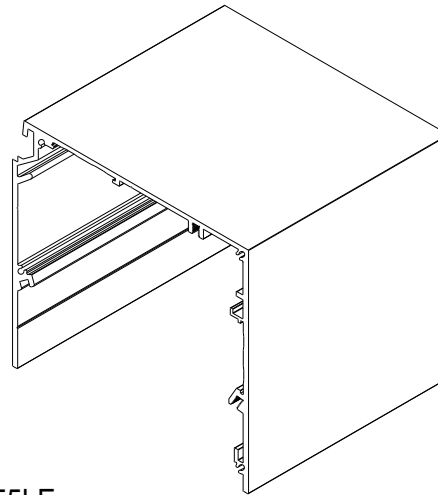
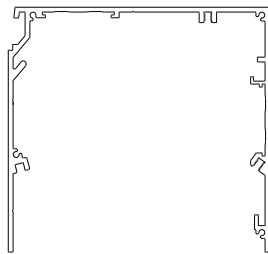
DRAWN BY: **DAG**

CHK BY: .



CEILING & WALL SOLUTIONS * ARMSTRONG WORLD INDUSTRIES, INC. * Lancaster, PA * Phone: 877-ARMSTRONG





AXP355LE

DD-031 AXIOM PERIMETER AXP355LE

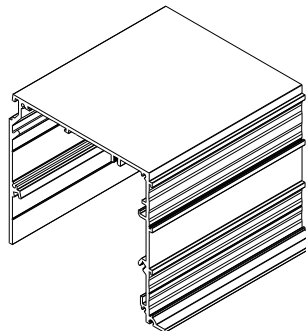
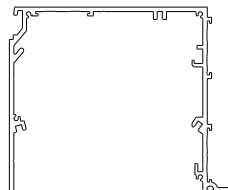
These drawings show typical conditions in which the Armstrong product depicted is installed. They are not a substitute for an architect's or engineer's plan and do not reflect the unique requirements of local building codes, laws, statutes, ordinances, rules and regulations (Legal Requirements) that may be applicable for a particular installation.

Armstrong does not warrant, and assumes no liability for the accuracy or completeness of the drawings for a particular installation or their fitness for a particular purpose. The user is advised to consult with a duly licensed architect or engineer in the particular locale of the installation to assure compliance with all Legal Requirements.

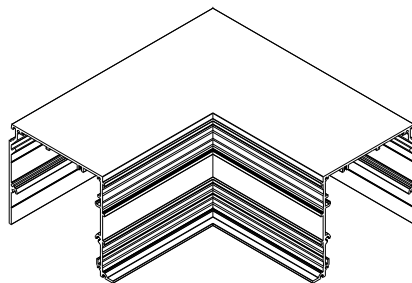
Armstrong is not licensed to provide professional architecture or engineering design services.

PROJECT NAME: **AXIOM BUILDING PERIMETER MASTER SHEET**
AXIOM PERIMETER AXP355LE

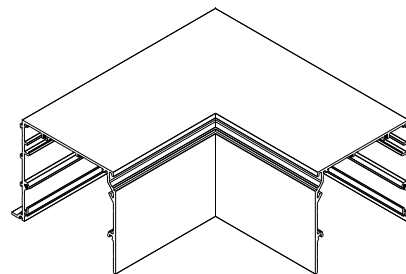
DWG. NO. A-A010-DD-031		REV: .	DATE: .
DATE: 1/30/25	SCALE: 3"=1'-0"	DESC.: .	
DRAWN BY: DAG	CHK BY: .		



AXP355MLA



AXP355MLAIC



AXP355MLAOC

DD-032 AXIOM PERIMETER AXP355MLA

These drawings show typical conditions in which the Armstrong product depicted is installed. They are not a substitute for an architect's or engineer's plan and do not reflect the unique requirements of local building codes, laws, statutes, ordinances, rules and regulations (Legal Requirements) that may be applicable for a particular installation.

Armstrong does not warrant, and assumes no liability for the accuracy or completeness of the drawings for a particular installation or their fitness for a particular purpose. The user is advised to consult with a duly licensed architect or engineer in the particular locale of the installation to assure compliance with all Legal Requirements.

Armstrong is not licensed to provide professional architecture or engineering design services.

PROJECT NAME: AXIOM BUILDING PERIMETER MASTER SHEET
AXIOM PERIMETER AXP355MLA

DWG. NO. A-A010-DD-032

REV: . DATE: .

DATE: 1/30/25

SCALE: 1-1/2"=1'-0"

DESC.: .

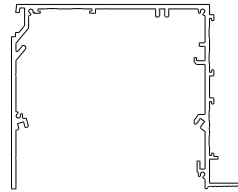
DRAWN BY: DAG

CHK BY: .

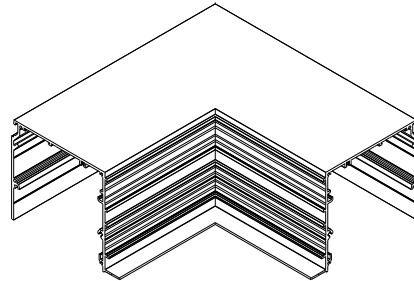
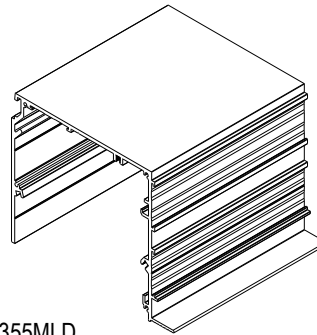


CEILING & WALL SOLUTIONS * ARMSTRONG WORLD INDUSTRIES, INC. * Lancaster, PA * Phone: 877-ARMSTRONG

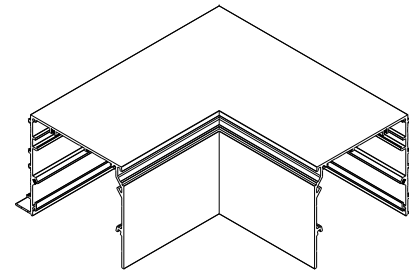




AXP355MLD



AXP355MLDIC



AXP355MLDOC

DD-033 AXIOM PERIMETER AXP355MLD

These drawings show typical conditions in which the Armstrong product depicted is installed. They are not a substitute for an architect's or engineer's plan and do not reflect the unique requirements of local building codes, laws, statutes, ordinances, rules and regulations (Legal Requirements) that may be applicable for a particular installation.

Armstrong does not warrant, and assumes no liability for the accuracy or completeness of the drawings for a particular installation or their fitness for a particular purpose. The user is advised to consult with a duly licensed architect or engineer in the particular locale of the installation to assure compliance with all Legal Requirements.

Armstrong is not licensed to provide professional architecture or engineering design services.

PROJECT NAME: **AXIOM BUILDING PERIMETER MASTER SHEET**
AXIOM PERIMETER AXP355MLD

DWG. NO. **A-A010-DD-033**

REV: . DATE: .

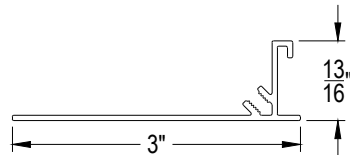
DATE: **1/30/25**

SCALE: **1-1/2"=1'-0"**

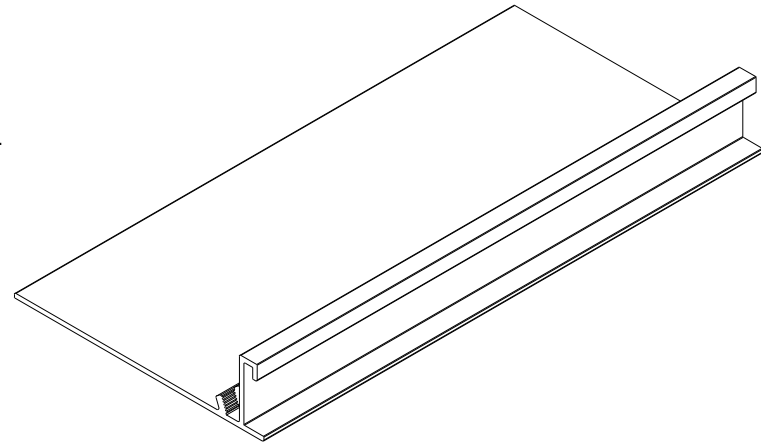
DESC.: .

DRAWN BY: **DAG**

CHK BY: .



AXPCC3L



DD-034 AXIOM PERIMETER LUTRON CLOSURE CLIP AXPCC3L

These drawings show typical conditions in which the Armstrong product depicted is installed. They are not a substitute for an architect's or engineer's plan and do not reflect the unique requirements of local building codes, laws, statutes, ordinances, rules and regulations (Legal Requirements) that may be applicable for a particular installation.

Armstrong does not warrant, and assumes no liability for the accuracy or completeness of the drawings for a particular installation or their fitness for a particular purpose. The user is advised to consult with a duly licensed architect or engineer in the particular locale of the installation to assure compliance with all Legal Requirements.

Armstrong is not licensed to provide professional architecture or engineering design services.

PROJECT NAME: AXIOM BUILDING PERIMETER MASTER SHEET
AXIOM PERIMETER LUTRON CLOSURE CLIP AXPCC3L

DWG. NO. A-A010-DD-034

REV: . DATE: .

DATE: 1/30/25

SCALE: 6"=1'-0"

DESC.: .

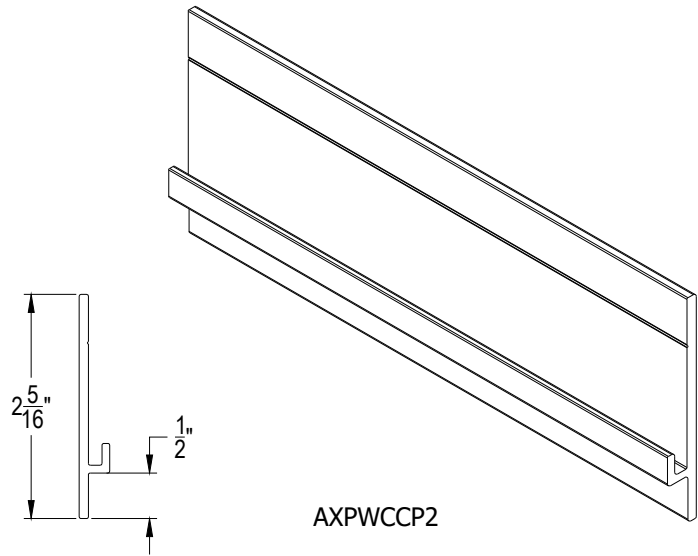
DRAWN BY: DAG

CHK BY: .



CEILING & WALL SOLUTIONS * ARMSTRONG WORLD INDUSTRIES, INC. * Lancaster, PA * Phone: 877-ARMSTRONG





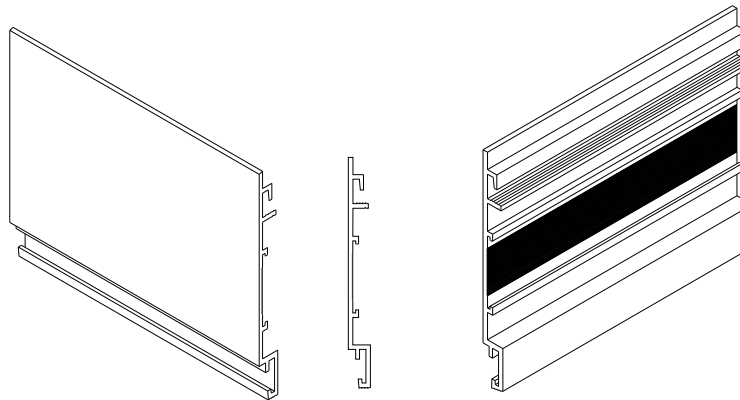
DD-035
AXIOM WALL CLOSURE CLIP AXPWCCP2

These drawings show typical conditions in which the Armstrong product depicted is installed. They are not a substitute for an architect's or engineer's plan and do not reflect the unique requirements of local building codes, laws, statutes, ordinances, rules and regulations (Legal Requirements) that may be applicable for a particular installation.

Armstrong does not warrant, and assumes no liability for the accuracy or completeness of the drawings for a particular installation or their fitness for a particular purpose. The user is advised to consult with a duly licensed architect or engineer in the particular locale of the installation to assure compliance with all Legal Requirements.

Armstrong is not licensed to provide professional architecture or engineering design services.

PROJECT NAME: AXIOM BUILDING PERIMETER MASTER SHEET			
AXIOM WALL CLOSURE CLIP AXPWCCP2			
DWG. NO. A-A010-DD-035		REV: .	DATE: .
DATE: 1/30/25	SCALE: 6"=1'-0"	DESC.: .	
DRAWN BY: DAG	CHK BY: .		



AXPEPH

DD-036

AXIOM PERIMETER EXTENSION AXPEPH

These drawings show typical conditions in which the Armstrong product depicted is installed. They are not a substitute for an architect's or engineer's plan and do not reflect the unique requirements of local building codes, laws, statutes, ordinances, rules and regulations (Legal Requirements) that may be applicable for a particular installation.

Armstrong does not warrant, and assumes no liability for the accuracy or completeness of the drawings for a particular installation or their fitness for a particular purpose. The user is advised to consult with a duly licensed architect or engineer in the particular locale of the installation to assure compliance with all Legal Requirements.

Armstrong is not licensed to provide professional architecture or engineering design services.

PROJECT NAME: **AXIOM BUILDING PERIMETER MASTER SHEET
AXIOM PERIMETER EXTENSION AXPEPH**

DWG. NO. **A-A010-DD-036**

REV: . DATE: .

DATE: **1/30/25**

SCALE: **3"=1'-0"**

DESC.: .

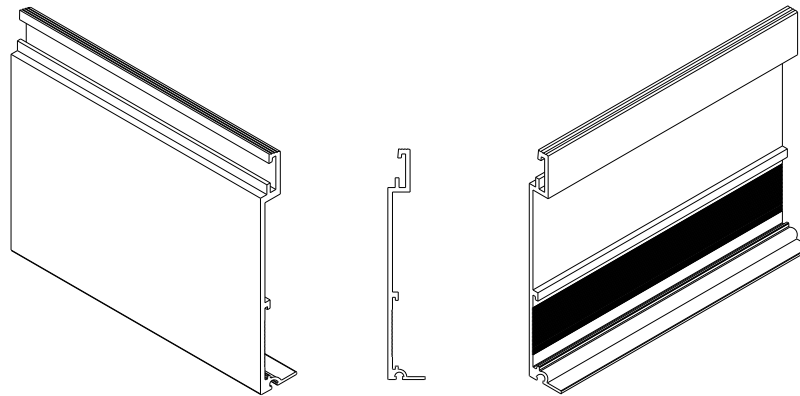
DRAWN BY: **DAG**

CHK BY: .



CEILING & WALL SOLUTIONS * ARMSTRONG WORLD INDUSTRIES, INC. * Lancaster, PA * Phone: 877-ARMSTRONG





AXPEP4

DD-037 AXIOM PERIMETER EXTENSION AXPEP4

These drawings show typical conditions in which the Armstrong product depicted is installed. They are not a substitute for an architect's or engineer's plan and do not reflect the unique requirements of local building codes, laws, statutes, ordinances, rules and regulations (Legal Requirements) that may be applicable for a particular installation.

Armstrong does not warrant, and assumes no liability for the accuracy or completeness of the drawings for a particular installation or their fitness for a particular purpose. The user is advised to consult with a duly licensed architect or engineer in the particular locale of the installation to assure compliance with all Legal Requirements.

Armstrong is not licensed to provide professional architecture or engineering design services.

PROJECT NAME: AXIOM BUILDING PERIMETER MASTER SHEET
AXIOM PERIMETER EXTENSION AXPEP4

DWG. NO. A-A010-DD-037

REV: . DATE: .

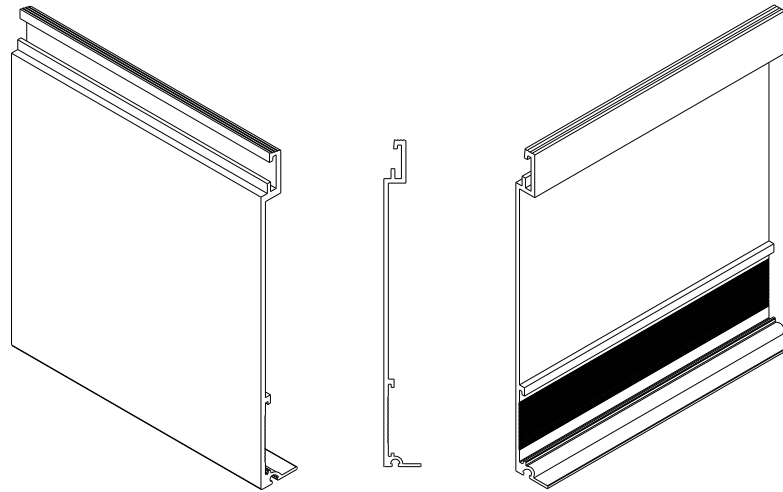
DATE: 1/30/25

SCALE: 3"=1'-0"

DESC.: .

DRAWN BY: DAG

CHK BY: .



AXPEP6

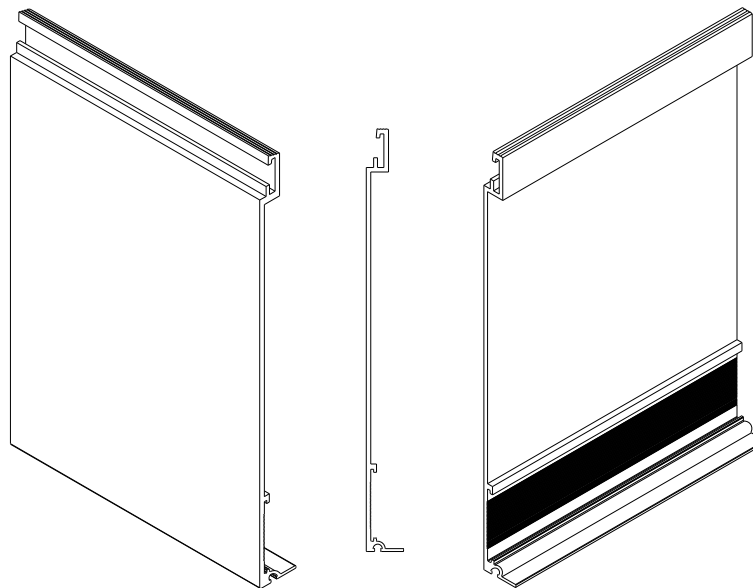
DD-038 AXIOM PERIMETER EXTENSION AXPEP6

These drawings show typical conditions in which the Armstrong product depicted is installed. They are not a substitute for an architect's or engineer's plan and do not reflect the unique requirements of local building codes, laws, statutes, ordinances, rules and regulations (Legal Requirements) that may be applicable for a particular installation.

Armstrong does not warrant, and assumes no liability for the accuracy or completeness of the drawings for a particular installation or their fitness for a particular purpose. The user is advised to consult with a duly licensed architect or engineer in the particular locale of the installation to assure compliance with all Legal Requirements.

Armstrong is not licensed to provide professional architecture or engineering design services.

PROJECT NAME: AXIOM BUILDING PERIMETER MASTER SHEET			
AXIOM PERIMETER EXTENSION AXPEP6			
DWG. NO. A-A010-DD-038		REV: .	DATE: .
DATE: 1/30/25	SCALE: 3"=1'-0"	DESC.: .	
DRAWN BY: DAG	CHK BY: .		



AXPEP8

DD-039 AXIOM PERIMETER EXTENSION AXPEP8

These drawings show typical conditions in which the Armstrong product depicted is installed. They are not a substitute for an architect's or engineer's plan and do not reflect the unique requirements of local building codes, laws, statutes, ordinances, rules and regulations (Legal Requirements) that may be applicable for a particular installation.

Armstrong does not warrant, and assumes no liability for the accuracy or completeness of the drawings for a particular installation or their fitness for a particular purpose. The user is advised to consult with a duly licensed architect or engineer in the particular locale of the installation to assure compliance with all Legal Requirements.

Armstrong is not licensed to provide professional architecture or engineering design services.

PROJECT NAME: AXIOM BUILDING PERIMETER MASTER SHEET
AXIOM PERIMETER EXTENSION AXPEP8

DWG. NO. A-A010-DD-039

REV: . DATE: .

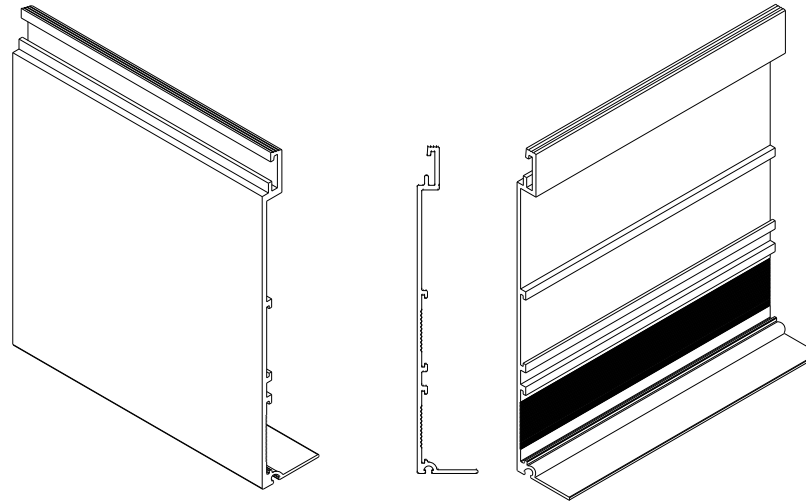
DATE: 1/30/25

SCALE: 3"=1'-0"

DESC.: .

DRAWN BY: DAG

CHK BY: .



AXPEPS6

DD-040 AXIOM PERIMETER EXTENSION AXPEPS6

These drawings show typical conditions in which the Armstrong product depicted is installed. They are not a substitute for an architect's or engineer's plan and do not reflect the unique requirements of local building codes, laws, statutes, ordinances, rules and regulations (Legal Requirements) that may be applicable for a particular installation.

Armstrong does not warrant, and assumes no liability for the accuracy or completeness of the drawings for a particular installation or their fitness for a particular purpose. The user is advised to consult with a duly licensed architect or engineer in the particular locale of the installation to assure compliance with all Legal Requirements.

Armstrong is not licensed to provide professional architecture or engineering design services.

PROJECT NAME: **AXIOM BUILDING PERIMETER MASTER SHEET
AXIOM PERIMETER EXTENSION AXPEPS6**

DWG. NO. **A-A010-DD-040**

REV: . DATE: .

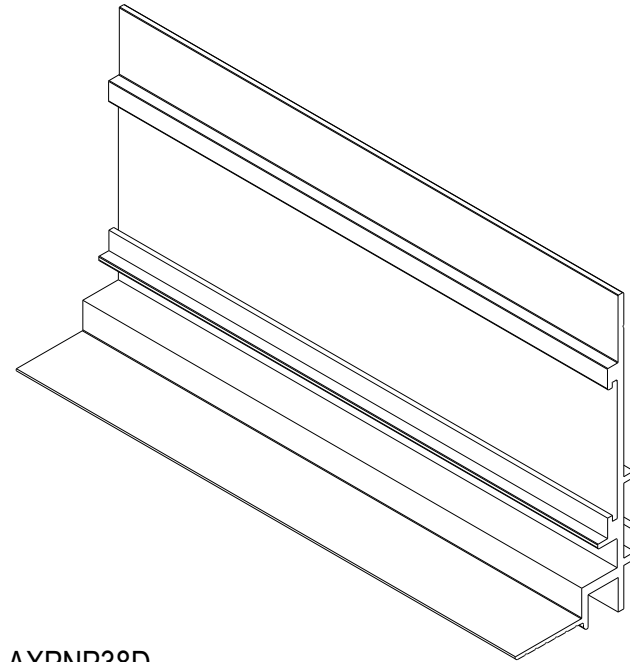
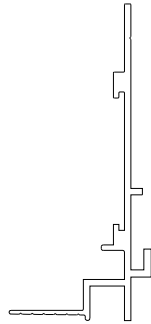
DATE: **1/30/25**

SCALE: **3"=1'-0"**

DESC.: .

DRAWN BY: **DAG**

CHK BY: .



AXPNP38D

DD-041

AXIOM POCKETLESS DRYWALL REVEAL AXPNP38D

These drawings show typical conditions in which the Armstrong product depicted is installed. They are not a substitute for an architect's or engineer's plan and do not reflect the unique requirements of local building codes, laws, statutes, ordinances, rules and regulations (Legal Requirements) that may be applicable for a particular installation.

Armstrong does not warrant, and assumes no liability for the accuracy or completeness of the drawings for a particular installation or their fitness for a particular purpose. The user is advised to consult with a duly licensed architect or engineer in the particular locale of the installation to assure compliance with all Legal Requirements.

Armstrong is not licensed to provide professional architecture or engineering design services.

PROJECT NAME: **AXIOM BUILDING PERIMETER MASTER SHEET
AXIOM POCKETLESS DRYWALL REVEAL AXPNP38D**

DWG. NO. **A-A010-DD-041**

REV: . DATE: .

DATE: **1/30/25**

SCALE: **6"=1'-0"**

DESC.: .

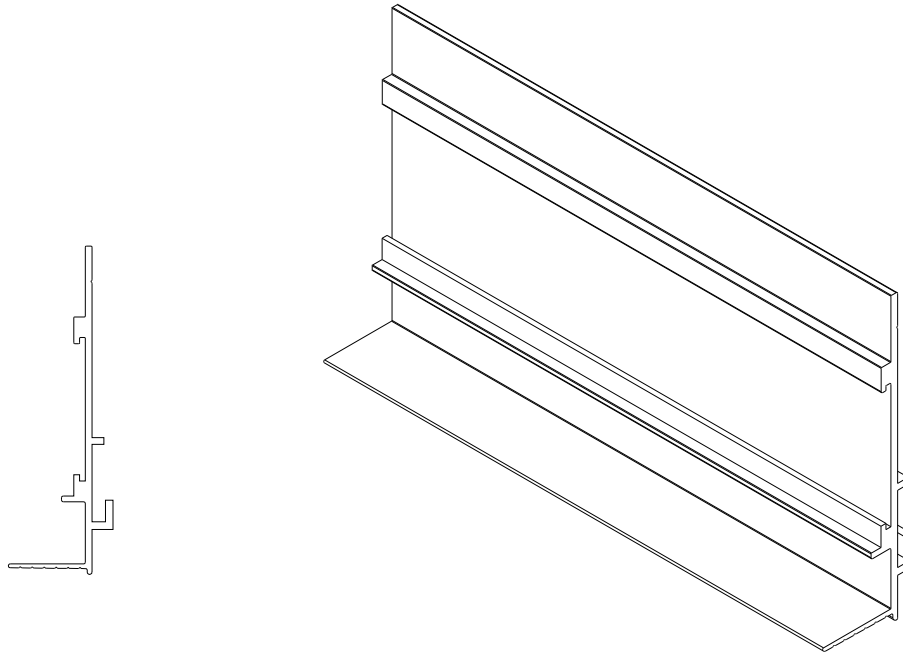
DRAWN BY: **DAG**

CHK BY: .



CEILING & WALL SOLUTIONS * ARMSTRONG WORLD INDUSTRIES, INC. * Lancaster, PA * Phone: 877-ARMSTRONG





AXPNPD

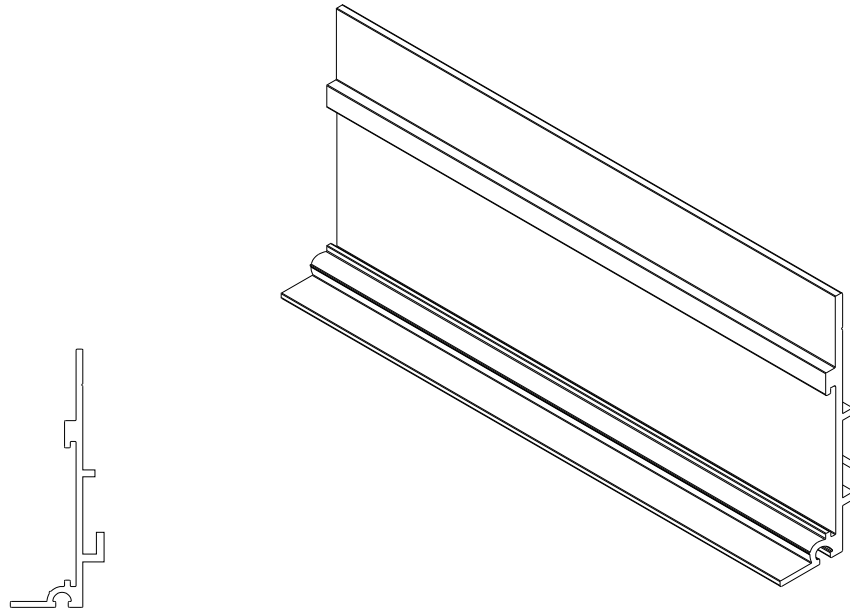
DD-042 AXIOM POCKETLESS DRYWALL FLANGE AXPNPD

These drawings show typical conditions in which the Armstrong product depicted is installed. They are not a substitute for an architect's or engineer's plan and do not reflect the unique requirements of local building codes, laws, statutes, ordinances, rules and regulations (Legal Requirements) that may be applicable for a particular installation.

Armstrong does not warrant, and assumes no liability for the accuracy or completeness of the drawings for a particular installation or their fitness for a particular purpose. The user is advised to consult with a duly licensed architect or engineer in the particular locale of the installation to assure compliance with all Legal Requirements.

Armstrong is not licensed to provide professional architecture or engineering design services.

PROJECT NAME: AXIOM BUILDING PERIMETER MASTER SHEET			
AXIOM POCKETLESS DRYWALL FLANGE AXPNPD			
DWG. NO. A-A010-DD-042		REV: .	DATE: .
DATE: 1/30/25	SCALE: 6"=1'-0"	DESC.: .	
DRAWN BY: DAG	CHK BY: .		



AXPNP34A

DD-043

AXIOM POCKETLESS ACOUSTICAL FLANGE AXPNP34A

These drawings show typical conditions in which the Armstrong product depicted is installed. They are not a substitute for an architect's or engineer's plan and do not reflect the unique requirements of local building codes, laws, statutes, ordinances, rules and regulations (Legal Requirements) that may be applicable for a particular installation.

Armstrong does not warrant, and assumes no liability for the accuracy or completeness of the drawings for a particular installation or their fitness for a particular purpose. The user is advised to consult with a duly licensed architect or engineer in the particular locale of the installation to assure compliance with all Legal Requirements.

Armstrong is not licensed to provide professional architecture or engineering design services.

PROJECT NAME: **AXIOM BUILDING PERIMETER MASTER SHEET
AXIOM POCKETLESS ACOUSTICAL FLANGE AXPNP34A**

DWG. NO. **A-A010-DD-043**

REV: .

DATE: .

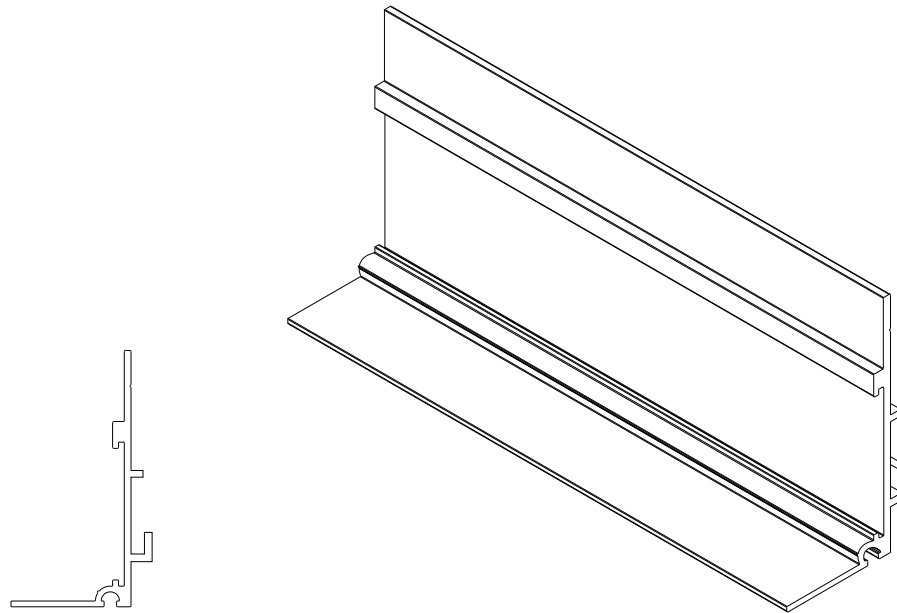
DATE: **1/30/25**

SCALE: **6"=1'-0"**

DESC.: .

DRAWN BY: **DAG**

CHK BY: .



AXPNP125A

DD-044

AXIOM POCKETLESS SEISMIC FLANGE AXPNP125A

These drawings show typical conditions in which the Armstrong product depicted is installed. They are not a substitute for an architect's or engineer's plan and do not reflect the unique requirements of local building codes, laws, statutes, ordinances, rules and regulations (Legal Requirements) that may be applicable for a particular installation.

Armstrong does not warrant, and assumes no liability for the accuracy or completeness of the drawings for a particular installation or their fitness for a particular purpose. The user is advised to consult with a duly licensed architect or engineer in the particular locale of the installation to assure compliance with all Legal Requirements.

Armstrong is not licensed to provide professional architecture or engineering design services.

PROJECT NAME: **AXIOM BUILDING PERIMETER MASTER SHEET
AXIOM POCKETLESS SEISMIC FLANGE AXPNP125A**

DWG. NO. **A-A010-DD-044**

REV: . DATE: .

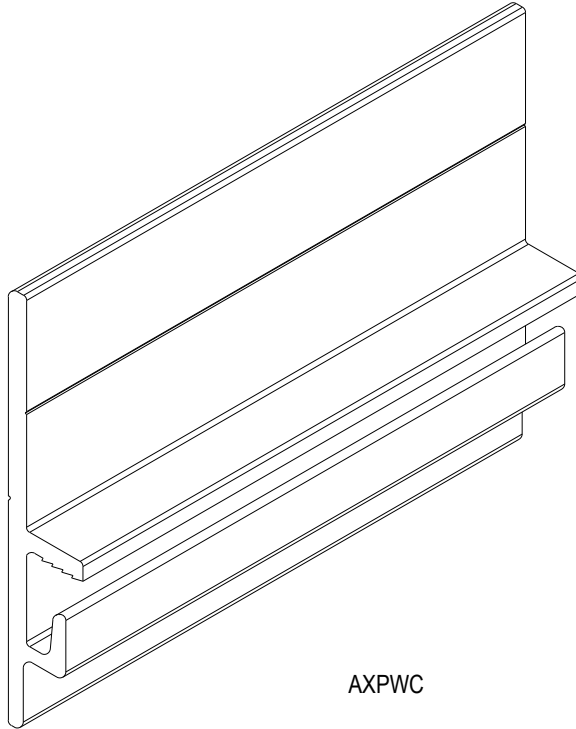
DATE: **1/30/25**

SCALE: **6"=1'-0"**

DESC.: .

DRAWN BY: **DAG**

CHK BY: .



AXPWC

DD-045 AXIOM WALL CLIP AXPWC

These drawings show typical conditions in which the Armstrong product depicted is installed. They are not a substitute for an architect's or engineer's plan and do not reflect the unique requirements of local building codes, laws, statutes, ordinances, rules and regulations (Legal Requirements) that may be applicable for a particular installation.

Armstrong does not warrant, and assumes no liability for the accuracy or completeness of the drawings for a particular installation or their fitness for a particular purpose. The user is advised to consult with a duly licensed architect or engineer in the particular locale of the installation to assure compliance with all Legal Requirements.

Armstrong is not licensed to provide professional architecture or engineering design services.

PROJECT NAME: AXIOM BUILDING PERIMETER MASTER SHEET
AXIOM WALL CLIP AXPWC

DWG. NO. A-A010-DD-045

REV: . DATE: .

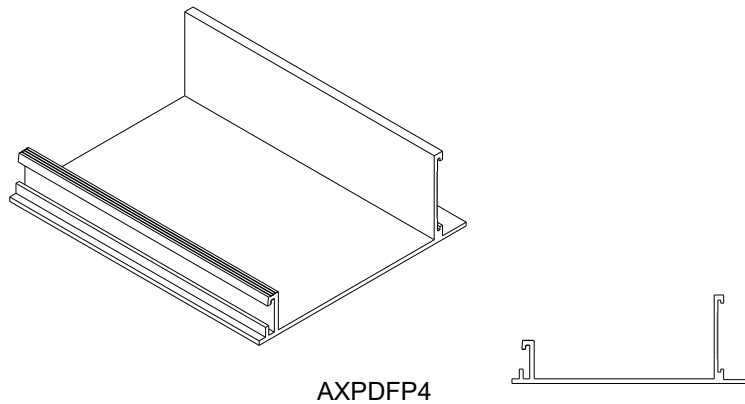
DATE: 1/30/25

SCALE: 1'-0"=1'-0"

DESC.: .

DRAWN BY: DAG

CHK BY: .



AXPDFF4

DD-046 AXIOM FACE PLATE AXPDFF4

These drawings show typical conditions in which the Armstrong product depicted is installed. They are not a substitute for an architect's or engineer's plan and do not reflect the unique requirements of local building codes, laws, statutes, ordinances, rules and regulations (Legal Requirements) that may be applicable for a particular installation.

Armstrong does not warrant, and assumes no liability for the accuracy or completeness of the drawings for a particular installation or their fitness for a particular purpose. The user is advised to consult with a duly licensed architect or engineer in the particular locale of the installation to assure compliance with all Legal Requirements.

Armstrong is not licensed to provide professional architecture or engineering design services.

PROJECT NAME: **AXIOM BUILDING PERIMETER MASTER SHEET
AXIOM FACE PLATE AXPDFF4**

DWG. NO. **A-A010-DD-046**

REV: .

DATE: .

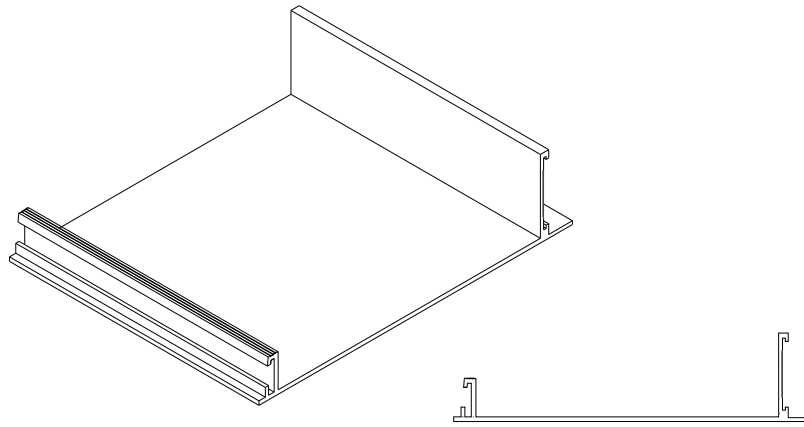
DATE: **1/30/25**

SCALE: **3"=1'-0"**

DESC.: .

DRAWN BY: **DAG**

CHK BY: .



AXPDFF7

DD-047 AXIOM FACE PLATE AXPDFF7

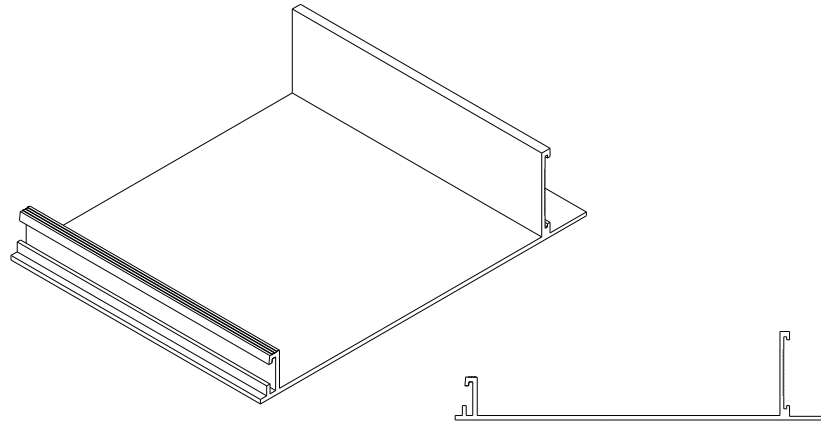
These drawings show typical conditions in which the Armstrong product depicted is installed. They are not a substitute for an architect's or engineer's plan and do not reflect the unique requirements of local building codes, laws, statutes, ordinances, rules and regulations (Legal Requirements) that may be applicable for a particular installation.

Armstrong does not warrant, and assumes no liability for the accuracy or completeness of the drawings for a particular installation or their fitness for a particular purpose. The user is advised to consult with a duly licensed architect or engineer in the particular locale of the installation to assure compliance with all Legal Requirements.

Armstrong is not licensed to provide professional architecture or engineering design services.

PROJECT NAME: AXIOM BUILDING PERIMETER MASTER SHEET
AXIOM FACE PLATE AXPDFF7

DWG. NO. A-A010-DD-047		REV: .	DATE: .
DATE: 1/30/25	SCALE: 3"=1'-0"	DESC.: .	
DRAWN BY: DAG	CHK BY: .		



AXPDFPS7

DD-048 AXIOM FACE PLATE AXPDFPS7

These drawings show typical conditions in which the Armstrong product depicted is installed. They are not a substitute for an architect's or engineer's plan and do not reflect the unique requirements of local building codes, laws, statutes, ordinances, rules and regulations (Legal Requirements) that may be applicable for a particular installation.

Armstrong does not warrant, and assumes no liability for the accuracy or completeness of the drawings for a particular installation or their fitness for a particular purpose. The user is advised to consult with a duly licensed architect or engineer in the particular locale of the installation to assure compliance with all Legal Requirements.

Armstrong is not licensed to provide professional architecture or engineering design services.

PROJECT NAME: AXIOM BUILDING PERIMETER MASTER SHEET
AXIOM FACE PLATE AXPDFPS7

DWG. NO. A-A010-DD-048

REV: . DATE: .

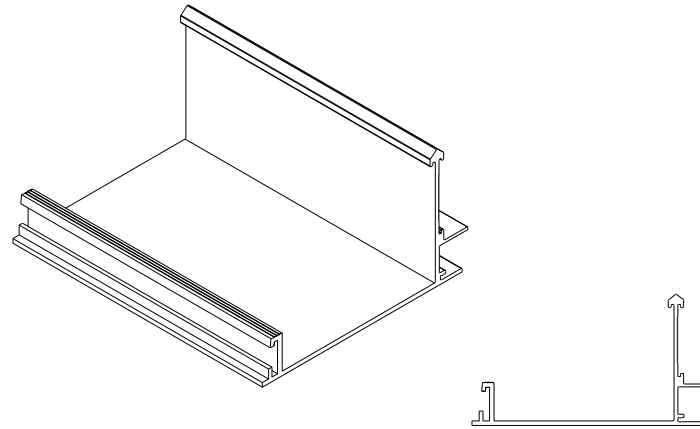
DATE: 1/30/25

SCALE: 3"=1'-0"

DESC.: .

DRAWN BY: DAG

CHK BY: .



AXPDFP4DT

DD-049 AXIOM FACE PLATE AXPDFP4DT

These drawings show typical conditions in which the Armstrong product depicted is installed. They are not a substitute for an architect's or engineer's plan and do not reflect the unique requirements of local building codes, laws, statutes, ordinances, rules and regulations (Legal Requirements) that may be applicable for a particular installation.

Armstrong does not warrant, and assumes no liability for the accuracy or completeness of the drawings for a particular installation or their fitness for a particular purpose. The user is advised to consult with a duly licensed architect or engineer in the particular locale of the installation to assure compliance with all Legal Requirements.

Armstrong is not licensed to provide professional architecture or engineering design services.

PROJECT NAME: AXIOM BUILDING PERIMETER MASTER SHEET
AXIOM FACE PLATE AXPDFP4DT

DWG. NO. A-A010-DD-049

REV: . DATE: .

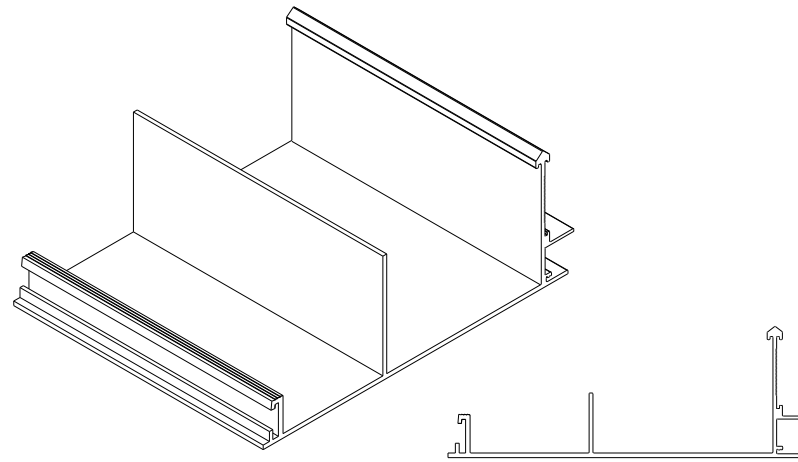
DATE: 1/30/25

SCALE: 3"=1'-0"

DESC.: .

DRAWN BY: DAG

CHK BY: .



AXPDFP7DT

DD-050 AXIOM FACE PLATE AXPDFP7DT

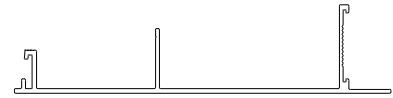
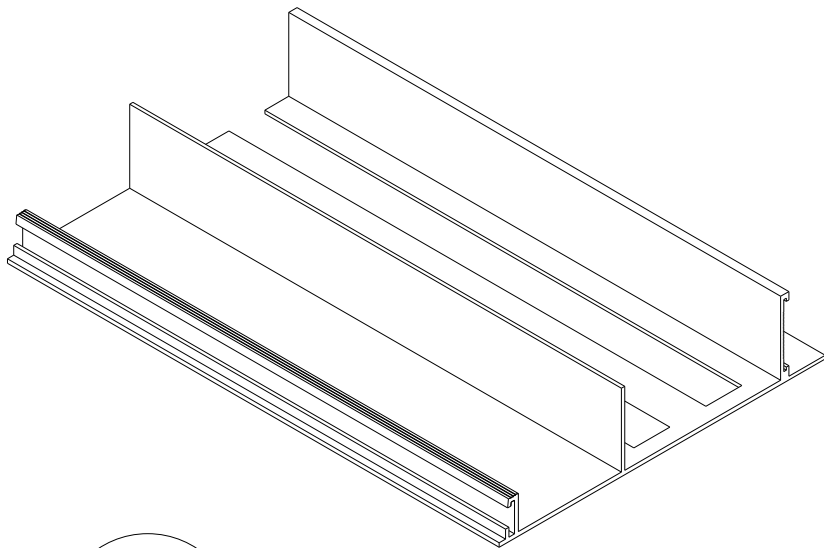
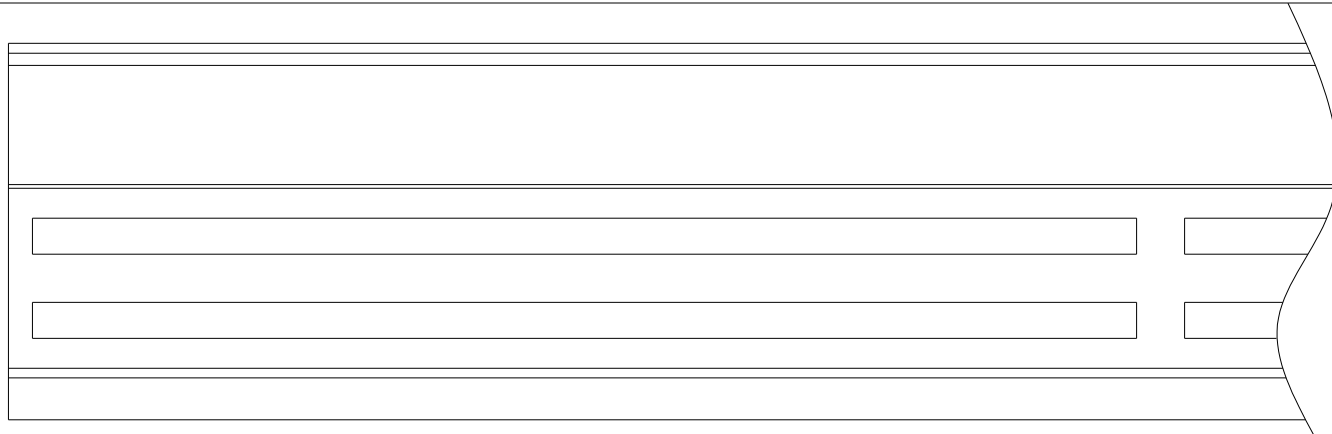
These drawings show typical conditions in which the Armstrong product depicted is installed. They are not a substitute for an architect's or engineer's plan and do not reflect the unique requirements of local building codes, laws, statutes, ordinances, rules and regulations (Legal Requirements) that may be applicable for a particular installation.

Armstrong does not warrant, and assumes no liability for the accuracy or completeness of the drawings for a particular installation or their fitness for a particular purpose. The user is advised to consult with a duly licensed architect or engineer in the particular locale of the installation to assure compliance with all Legal Requirements.

Armstrong is not licensed to provide professional architecture or engineering design services.

PROJECT NAME: AXIOM BUILDING PERIMETER MASTER SHEET AXIOM FACE PLATE AXPDFP7DT			
DWG. NO. A-A010-DD-050		REV: .	DATE: .
DATE: 1/30/25	SCALE: 3"=1'-0"	DESC.: .	
DRAWN BY: DAG	CHK BY: .		





AXPDFPS7SLA

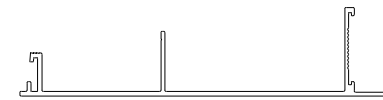
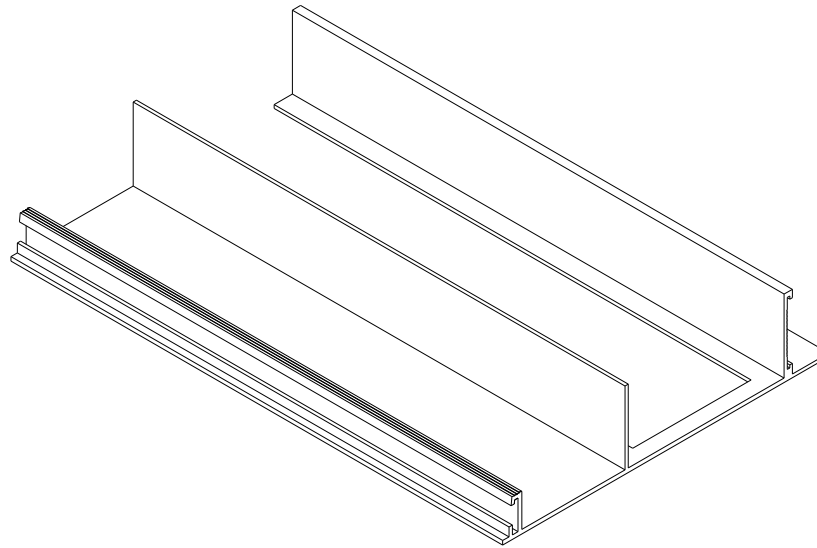
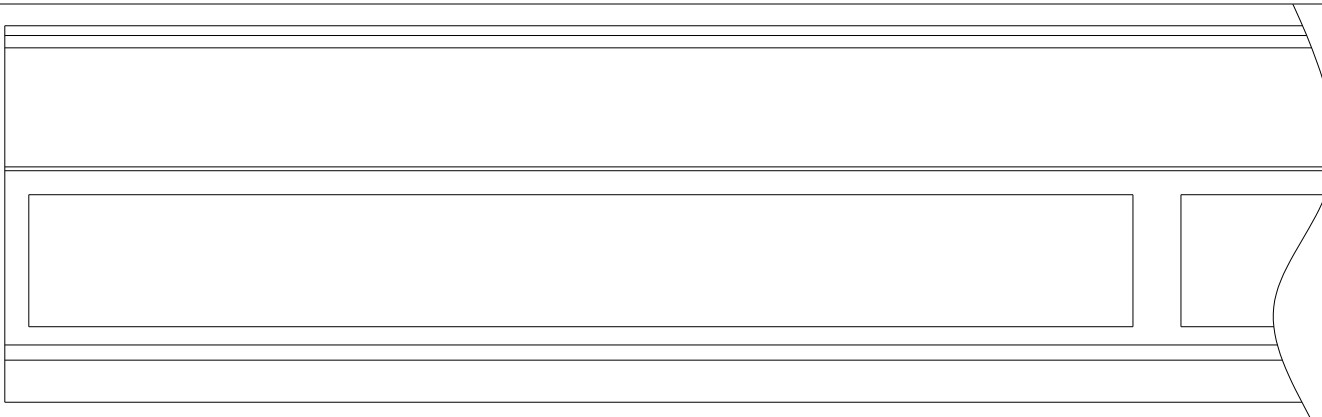
DD-051 AXIOM FACE PLATE AXPDFPS7SLA

These drawings show typical conditions in which the Armstrong product depicted is installed. They are not a substitute for an architect's or engineer's plan and do not reflect the unique requirements of local building codes, laws, statutes, ordinances, rules and regulations (Legal Requirements) that may be applicable for a particular installation.

Armstrong does not warrant, and assumes no liability for the accuracy or completeness of the drawings for a particular installation or their fitness for a particular purpose. The user is advised to consult with a duly licensed architect or engineer in the particular locale of the installation to assure compliance with all Legal Requirements.

Armstrong is not licensed to provide professional architecture or engineering design services.

PROJECT NAME: AXIOM BUILDING PERIMETER MASTER SHEET AXIOM FACE PLATE AXPDFPS7SLA			
DWG. NO. A-A010-DD-051		REV: .	DATE: .
DATE: 1/30/25	SCALE: 3"=1'-0"	DESC.: .	
DRAWN BY: DAG	CHK BY: .		



AXPDFPS7SLB

DD-052 AXIOM FACE PLATE AXPDFPS7SLB

These drawings show typical conditions in which the Armstrong product depicted is installed. They are not a substitute for an architect's or engineer's plan and do not reflect the unique requirements of local building codes, laws, statutes, ordinances, rules and regulations (Legal Requirements) that may be applicable for a particular installation.

Armstrong does not warrant, and assumes no liability for the accuracy or completeness of the drawings for a particular installation or their fitness for a particular purpose. The user is advised to consult with a duly licensed architect or engineer in the particular locale of the installation to assure compliance with all Legal Requirements.

Armstrong is not licensed to provide professional architecture or engineering design services.

PROJECT NAME: AXIOM BUILDING PERIMETER MASTER SHEET
AXIOM FACE PLATE AXPDFPS7SLB

DWG. NO. A-A010-DD-052

REV: . DATE: .

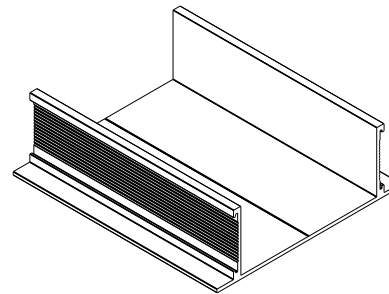
DATE: 1/30/25

SCALE: 3"=1'-0"

DESC.: .

DRAWN BY: DAG

CHK BY: .



AXFFP4

DD-053 AXIOM FIELD FACE PLATE AXFFP4

These drawings show typical conditions in which the Armstrong product depicted is installed. They are not a substitute for an architect's or engineer's plan and do not reflect the unique requirements of local building codes, laws, statutes, ordinances, rules and regulations (Legal Requirements) that may be applicable for a particular installation.

Armstrong does not warrant, and assumes no liability for the accuracy or completeness of the drawings for a particular installation or their fitness for a particular purpose. The user is advised to consult with a duly licensed architect or engineer in the particular locale of the installation to assure compliance with all Legal Requirements.

Armstrong is not licensed to provide professional architecture or engineering design services.

PROJECT NAME: **AXIOM BUILDING PERIMETER MASTER SHEET
AXIOM FIELD FACE PLATE AXFFP4**

DWG. NO. **A-A010-DD-053**

REV: . DATE: .

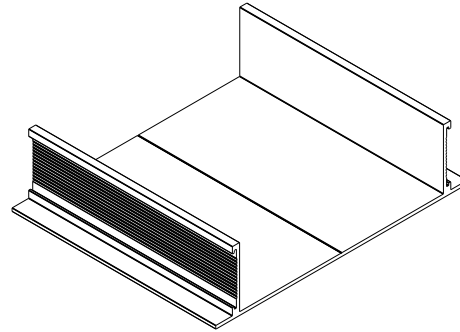
DATE: **1/30/25**

SCALE: **3"=1'-0"**

DESC.: .

DRAWN BY: **DAG**

CHK BY: .



AXFFP6

DD-054 AXIOM FIELD FACE PLATE AXFFP6

These drawings show typical conditions in which the Armstrong product depicted is installed. They are not a substitute for an architect's or engineer's plan and do not reflect the unique requirements of local building codes, laws, statutes, ordinances, rules and regulations (Legal Requirements) that may be applicable for a particular installation.

Armstrong does not warrant, and assumes no liability for the accuracy or completeness of the drawings for a particular installation or their fitness for a particular purpose. The user is advised to consult with a duly licensed architect or engineer in the particular locale of the installation to assure compliance with all Legal Requirements.

Armstrong is not licensed to provide professional architecture or engineering design services.

PROJECT NAME: AXIOM BUILDING PERIMETER MASTER SHEET
AXIOM FIELD FACE PLATE AXFFP6

DWG. NO. A-A010-DD-054

REV: . DATE: .

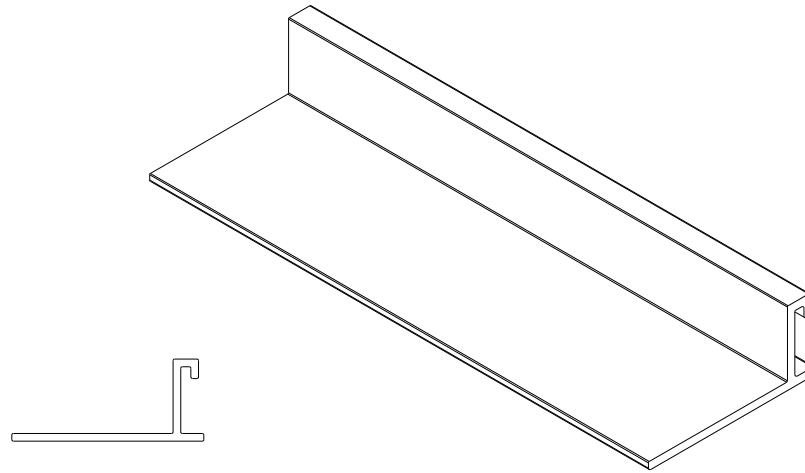
DATE: 1/30/25

SCALE: 3"=1'-0"

DESC.: .

DRAWN BY: DAG

CHK BY: .



AXPC2

DD-055 AXIOM PERIMETER CLOSURE CLIP AXPC2

These drawings show typical conditions in which the Armstrong product depicted is installed. They are not a substitute for an architect's or engineer's plan and do not reflect the unique requirements of local building codes, laws, statutes, ordinances, rules and regulations (Legal Requirements) that may be applicable for a particular installation.

Armstrong does not warrant, and assumes no liability for the accuracy or completeness of the drawings for a particular installation or their fitness for a particular purpose. The user is advised to consult with a duly licensed architect or engineer in the particular locale of the installation to assure compliance with all Legal Requirements.

Armstrong is not licensed to provide professional architecture or engineering design services.

PROJECT NAME: AXIOM BUILDING PERIMETER MASTER SHEET
AXIOM PERIMETER CLOSURE CLIP AXPC2

DWG. NO. A-A010-DD-055

REV: . DATE: .

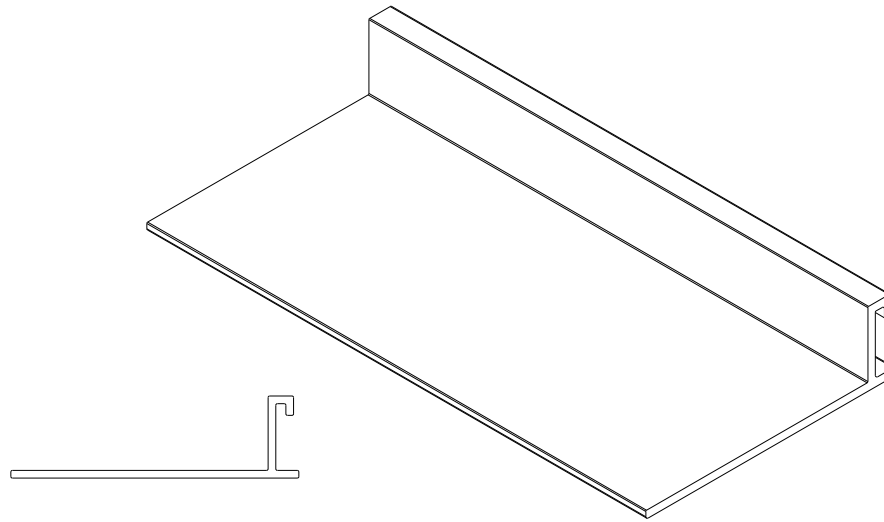
DATE: 1/30/25

SCALE: 6"=1'-0"

DESC.: .

DRAWN BY: DAG

CHK BY: .



AXPCC3

DD-056 AXIOM PERIMETER CLOSURE CLIP AXPCC3

These drawings show typical conditions in which the Armstrong product depicted is installed. They are not a substitute for an architect's or engineer's plan and do not reflect the unique requirements of local building codes, laws, statutes, ordinances, rules and regulations (Legal Requirements) that may be applicable for a particular installation.

Armstrong does not warrant, and assumes no liability for the accuracy or completeness of the drawings for a particular installation or their fitness for a particular purpose. The user is advised to consult with a duly licensed architect or engineer in the particular locale of the installation to assure compliance with all Legal Requirements.

Armstrong is not licensed to provide professional architecture or engineering design services.

PROJECT NAME: **AXIOM BUILDING PERIMETER MASTER SHEET**
AXIOM PERIMETER CLOSURE CLIP AXPCC3

DWG. NO. **A-A010-DD-056**

REV: . DATE: .

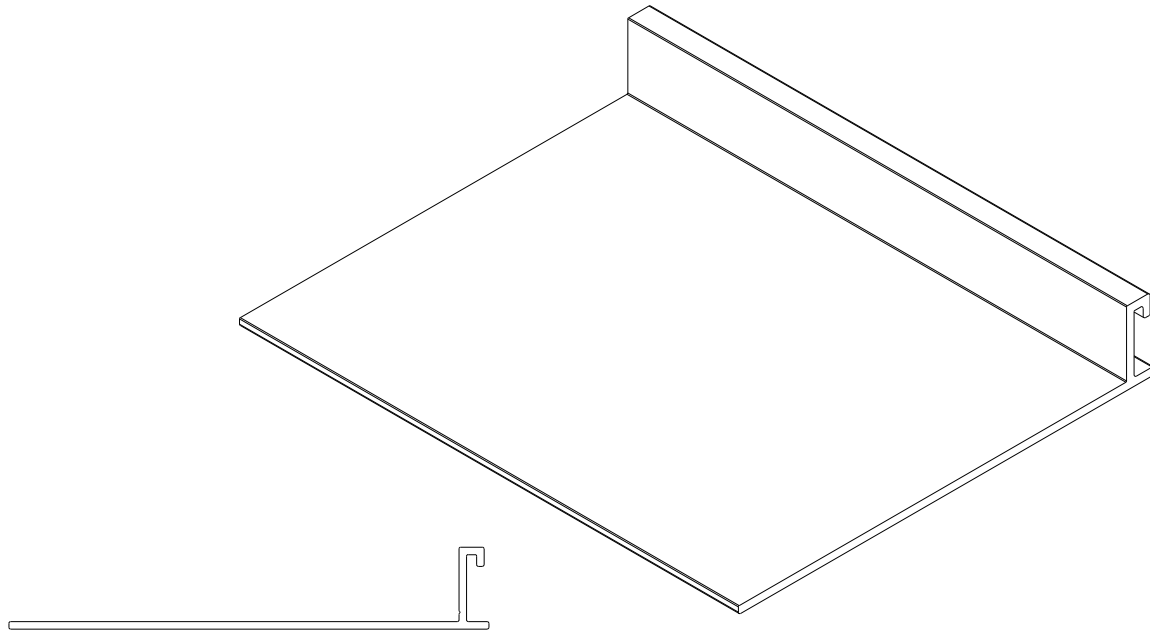
DATE: **1/30/25**

SCALE: **6"=1'-0"**

DESC.: .

DRAWN BY: **DAG**

CHK BY: .



AXPC5

DD-057 AXIOM PERIMETER CLOSURE CLIP AXPC5

These drawings show typical conditions in which the Armstrong product depicted is installed. They are not a substitute for an architect's or engineer's plan and do not reflect the unique requirements of local building codes, laws, statutes, ordinances, rules and regulations (Legal Requirements) that may be applicable for a particular installation.

Armstrong does not warrant, and assumes no liability for the accuracy or completeness of the drawings for a particular installation or their fitness for a particular purpose. The user is advised to consult with a duly licensed architect or engineer in the particular locale of the installation to assure compliance with all Legal Requirements.

Armstrong is not licensed to provide professional architecture or engineering design services.

PROJECT NAME: **AXIOM BUILDING PERIMETER MASTER SHEET**
AXIOM PERIMETER CLOSURE CLIP AXPC5

DWG. NO. **A-A010-DD-057**

REV: . DATE: .

DATE: **1/30/25**

SCALE: **6"=1'-0"**

DESC.: .

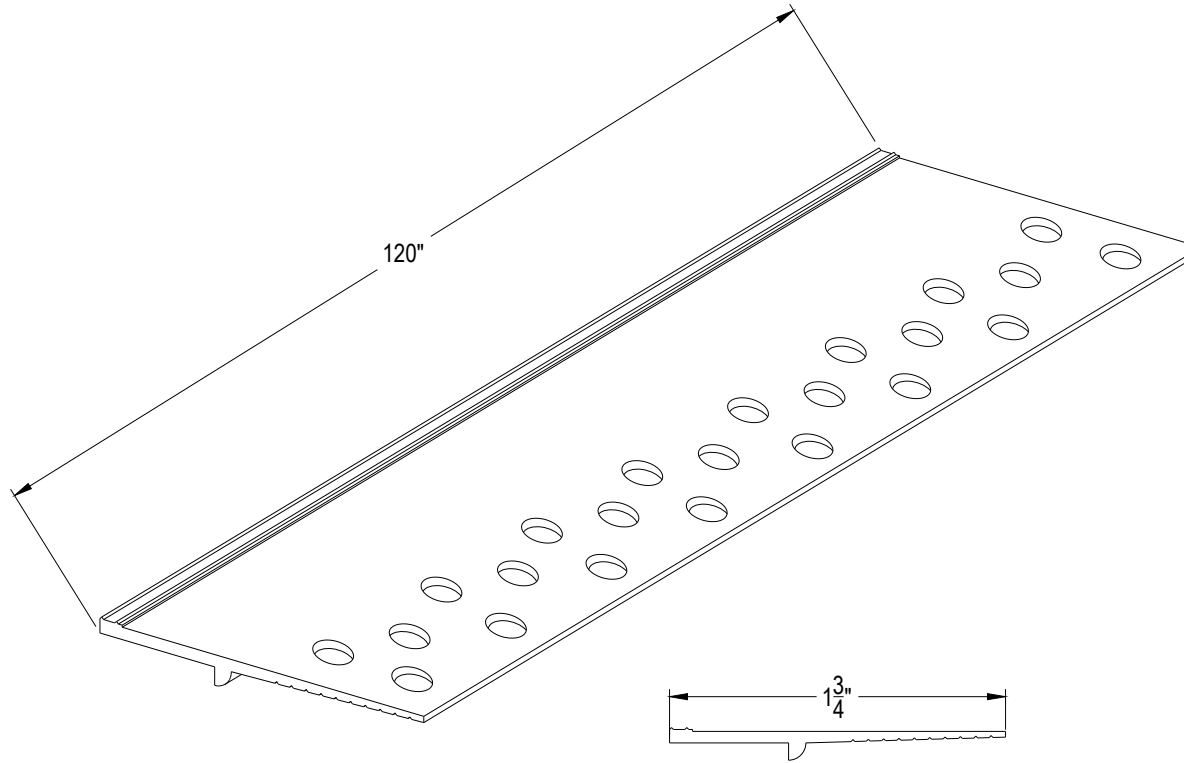
DRAWN BY: **DAG**

CHK BY: .



CEILING & WALL SOLUTIONS * ARMSTRONG WORLD INDUSTRIES, INC. * Lancaster, PA * Phone: 877-ARMSTRONG





AXDWT

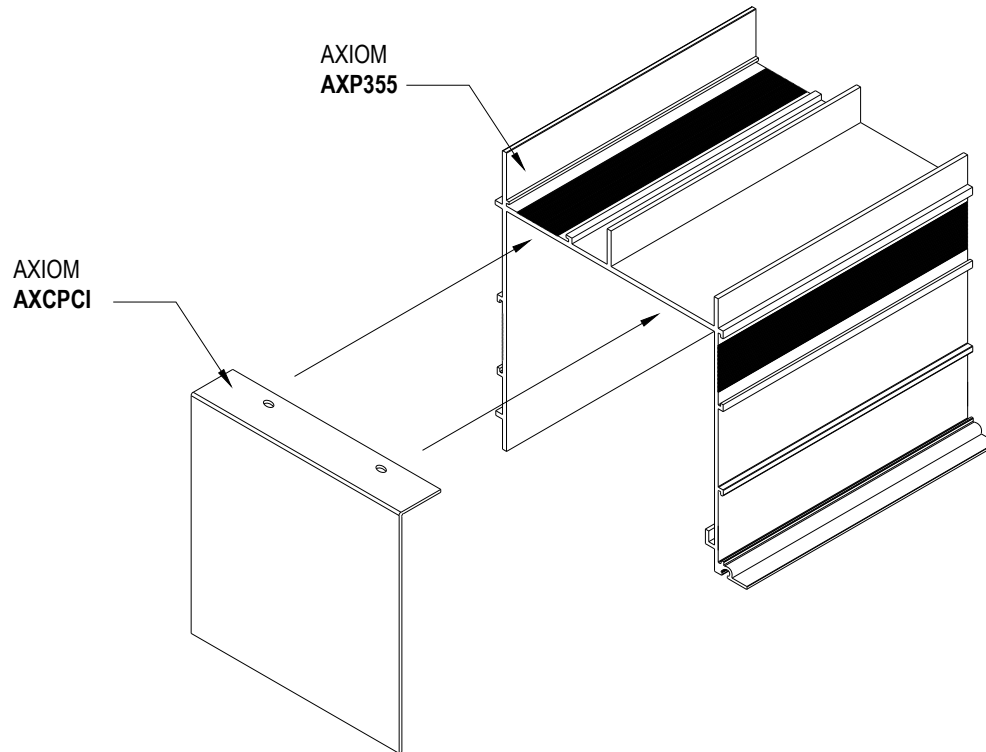
DD-058 AXIOM PROFILED TRIM AXDWT

These drawings show typical conditions in which the Armstrong product depicted is installed. They are not a substitute for an architect's or engineer's plan and do not reflect the unique requirements of local building codes, laws, statutes, ordinances, rules and regulations (Legal Requirements) that may be applicable for a particular installation.

Armstrong does not warrant, and assumes no liability for the accuracy or completeness of the drawings for a particular installation or their fitness for a particular purpose. The user is advised to consult with a duly licensed architect or engineer in the particular locale of the installation to assure compliance with all Legal Requirements.

Armstrong is not licensed to provide professional architecture or engineering design services.

PROJECT NAME: AXIOM BUILDING PERIMETER MASTER SHEET AXIOM PROFILED TRIM AXDWT			
DWG. NO. A-A010-DD-058		REV: .	DATE: .
DATE: 1/30/25	SCALE: 1-0"=1'-0"	DESC.: .	
DRAWN BY: DAG	CHK BY: .		



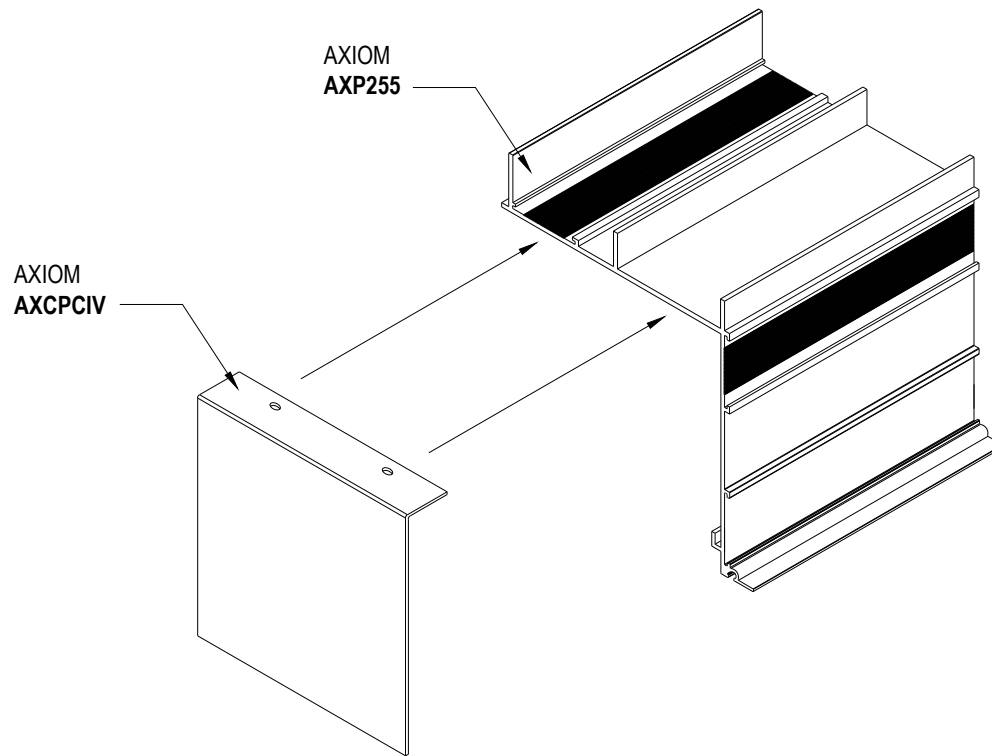
DD-059
AXIOM PERIMETER END PLATE AXCPIC

These drawings show typical conditions in which the Armstrong product depicted is installed. They are not a substitute for an architect's or engineer's plan and do not reflect the unique requirements of local building codes, laws, statutes, ordinances, rules and regulations (Legal Requirements) that may be applicable for a particular installation.

Armstrong does not warrant, and assumes no liability for the accuracy or completeness of the drawings for a particular installation or their fitness for a particular purpose. The user is advised to consult with a duly licensed architect or engineer in the particular locale of the installation to assure compliance with all Legal Requirements.

Armstrong is not licensed to provide professional architecture or engineering design services.

PROJECT NAME: AXIOM BUILDING PERIMETER MASTER SHEET AXIOM PERIMETER END PLATE AXCPIC			
DWG. NO. A-A010-DD-059	REV: .	DATE: .	
DATE: 1/30/25	SCALE: 3"=1'-0"	DESC.: .	
DRAWN BY: DAG	CHK BY: .		



DD-060
AXIOM PERIMETER END PLATE AXCPICV

These drawings show typical conditions in which the Armstrong product depicted is installed. They are not a substitute for an architect's or engineer's plan and do not reflect the unique requirements of local building codes, laws, statutes, ordinances, rules and regulations (Legal Requirements) that may be applicable for a particular installation.

Armstrong does not warrant, and assumes no liability for the accuracy or completeness of the drawings for a particular installation or their fitness for a particular purpose. The user is advised to consult with a duly licensed architect or engineer in the particular locale of the installation to assure compliance with all Legal Requirements.

Armstrong is not licensed to provide professional architecture or engineering design services.

PROJECT NAME: **AXIOM BUILDING PERIMETER MASTER SHEET
AXIOM PERIMETER END PLATE AXCPICV**

DWG. NO. **A-A010-DD-060**

REV: . DATE: .

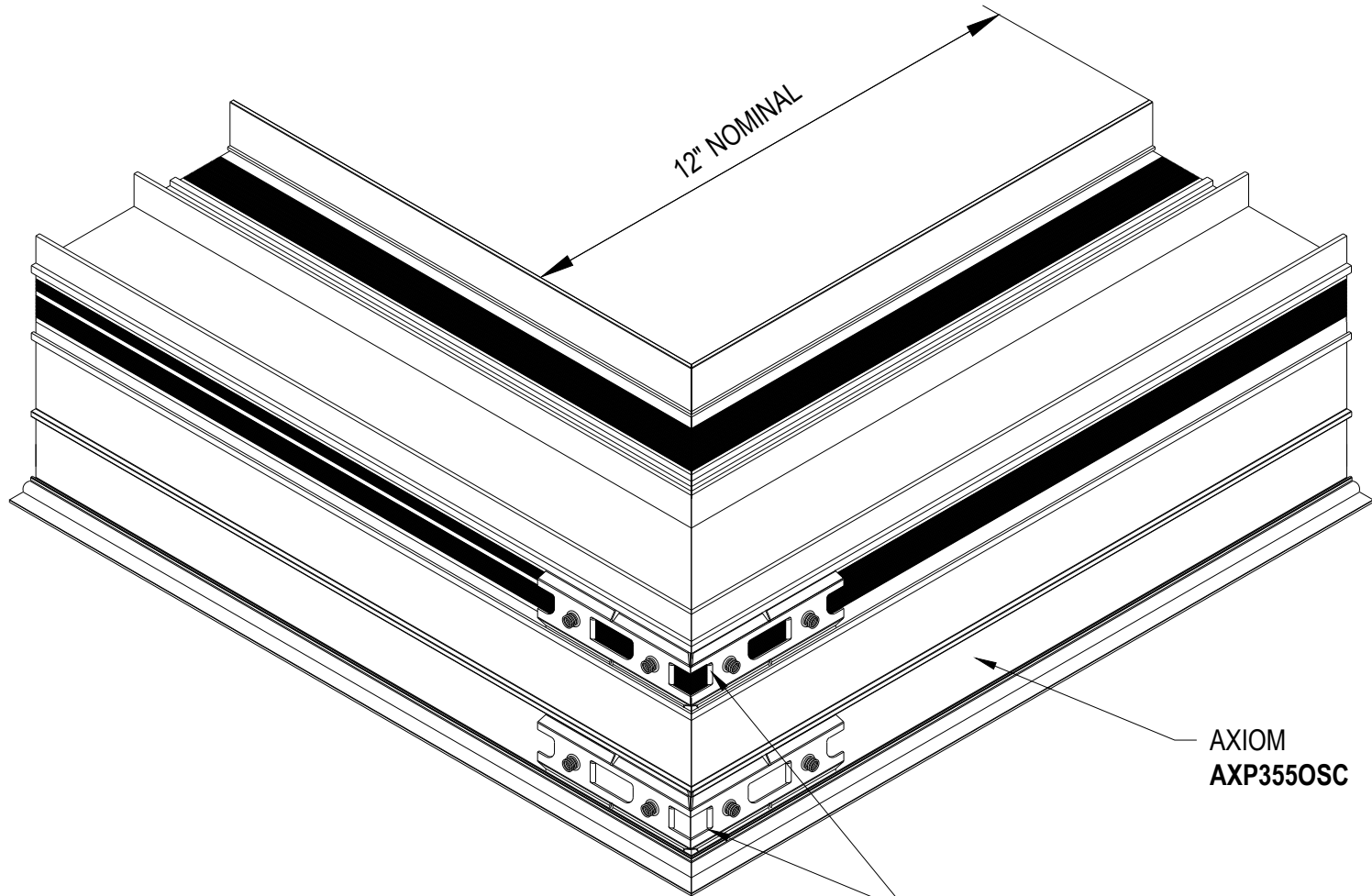
DATE: **1/30/25**

SCALE: **3"=1'-0"**

DESC.: .

DRAWN BY: **DAG**

CHK BY: .



AXIOM
AXP355OSC

AXIOM
AX4SPLICEB

DD-061

AXIOM PERIMETER CORNER SPLICED

These drawings show typical conditions in which the Armstrong product depicted is installed. They are not a substitute for an architect's or engineer's plan and do not reflect the unique requirements of local building codes, laws, statutes, ordinances, rules and regulations (Legal Requirements) that may be applicable for a particular installation.

Armstrong does not warrant, and assumes no liability for the accuracy or completeness of the drawings for a particular installation or their fitness for a particular purpose. The user is advised to consult with a duly licensed architect or engineer in the particular locale of the installation to assure compliance with all Legal Requirements.

Armstrong is not licensed to provide professional architecture or engineering design services.

PROJECT NAME: **AXIOM BUILDING PERIMETER MASTER SHEET
AXIOM PERIMETER CORNER SPLICED**

DWG. NO. **A-A010-DD-061**

REV: . DATE: .

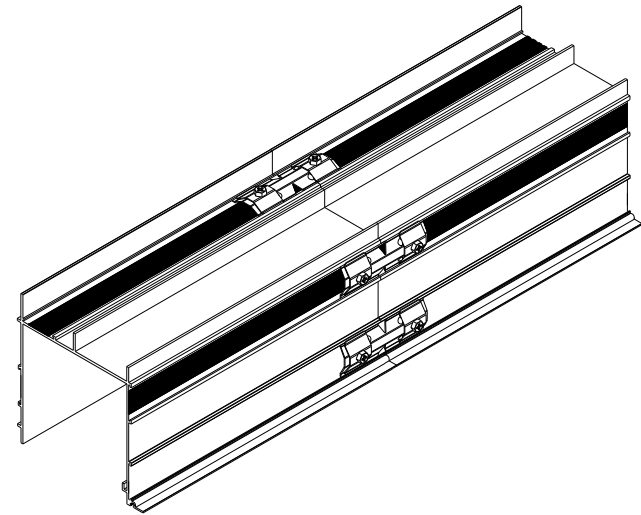
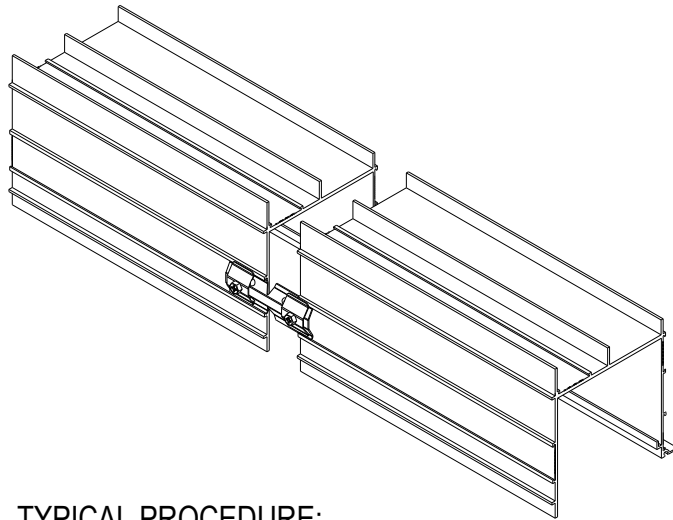
DATE: **1/30/25**

SCALE: **3"=1'-0"**

DESC.: .

DRAWN BY: **DAG**

CHK BY: .



- TYPICAL PROCEDURE:
1. INSERT SPLICES INTO CHANNEL TRIM BOSSES
 2. CLOSE THE JOINT
 3. TIGHTEN THE SCREWS

DD-062
AXIOM PERIMETER SPLICE INSTALLATION

These drawings show typical conditions in which the Armstrong product depicted is installed. They are not a substitute for an architect's or engineer's plan and do not reflect the unique requirements of local building codes, laws, statutes, ordinances, rules and regulations (Legal Requirements) that may be applicable for a particular installation.

Armstrong does not warrant, and assumes no liability for the accuracy or completeness of the drawings for a particular installation or their fitness for a particular purpose. The user is advised to consult with a duly licensed architect or engineer in the particular locale of the installation to assure compliance with all Legal Requirements.

Armstrong is not licensed to provide professional architecture or engineering design services.

PROJECT NAME: **AXIOM BUILDING PERIMETER MASTER SHEET
AXIOM PERIMETER SPLICE INSTALLATION**

DWG. NO. **A-A010-DD-062**

REV: . DATE: .

DATE: **1/30/25**

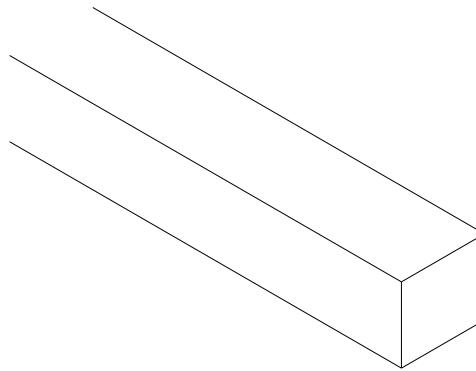
SCALE: **1-1/2"=1'-0"**

DESC.: .

DRAWN BY: **DAG**

CHK BY: .





AXPFG

DD-063

AXIOM FOAM GASKET AXPFG

These drawings show typical conditions in which the Armstrong product depicted is installed. They are not a substitute for an architect's or engineer's plan and do not reflect the unique requirements of local building codes, laws, statutes, ordinances, rules and regulations (Legal Requirements) that may be applicable for a particular installation.

Armstrong does not warrant, and assumes no liability for the accuracy or completeness of the drawings for a particular installation or their fitness for a particular purpose. The user is advised to consult with a duly licensed architect or engineer in the particular locale of the installation to assure compliance with all Legal Requirements.

Armstrong is not licensed to provide professional architecture or engineering design services.

PROJECT NAME: **AXIOM BUILDING PERIMETER MASTER SHEET
AXIOM FOAM GASKET AXPFG**

DWG. NO. **A-A010-DD-063**

REV: . DATE: .

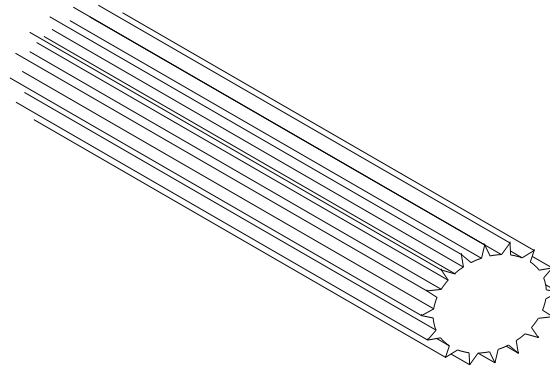
DATE: **1/30/25**

SCALE: **1'-0"=1'-0"**

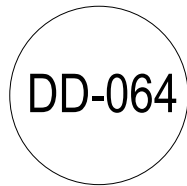
DESC.: .

DRAWN BY: **DAG**

CHK BY: .



AXPSPLINE



AXIOM INTERLOCKING SPLINE AXPSPLINE

These drawings show typical conditions in which the Armstrong product depicted is installed. They are not a substitute for an architect's or engineer's plan and do not reflect the unique requirements of local building codes, laws, statutes, ordinances, rules and regulations (Legal Requirements) that may be applicable for a particular installation.

Armstrong does not warrant, and assumes no liability for the accuracy or completeness of the drawings for a particular installation or their fitness for a particular purpose. The user is advised to consult with a duly licensed architect or engineer in the particular locale of the installation to assure compliance with all Legal Requirements.

Armstrong is not licensed to provide professional architecture or engineering design services.

PROJECT NAME: **AXIOM BUILDING PERIMETER MASTER SHEET
AXIOM INTERLOCKING SPLINE AXPSPLINE**

DWG. NO. **A-A010-DD-064**

REV: . DATE: .

DATE: **1/30/25**

SCALE: **1'-0"=1'-0"**

DESC.: .

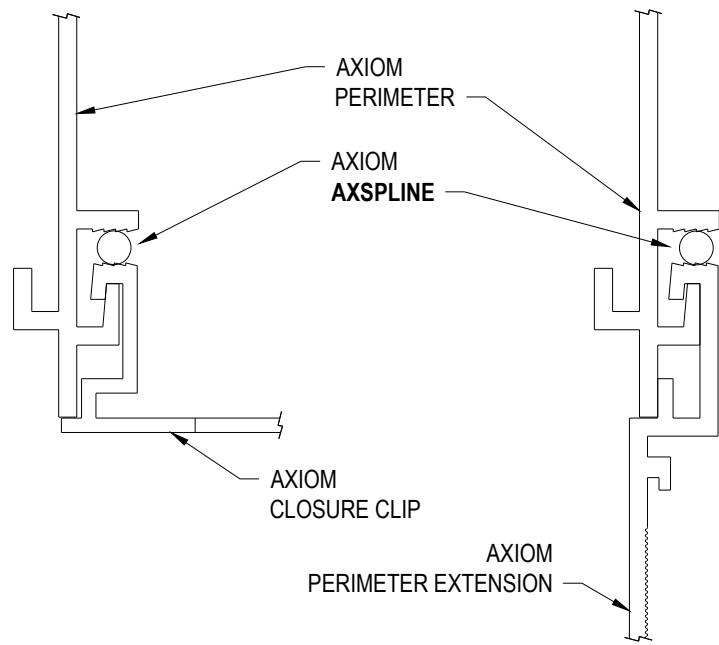
DRAWN BY: **DAG**

CHK BY: .



CEILING & WALL SOLUTIONS * ARMSTRONG WORLD INDUSTRIES, INC. * Lancaster, PA * Phone: 877-ARMSTRONG





DD-065
AXIOM SPLINE CONNECTION

These drawings show typical conditions in which the Armstrong product depicted is installed. They are not a substitute for an architect's or engineer's plan and do not reflect the unique requirements of local building codes, laws, statutes, ordinances, rules and regulations (Legal Requirements) that may be applicable for a particular installation.

Armstrong does not warrant, and assumes no liability for the accuracy or completeness of the drawings for a particular installation or their fitness for a particular purpose. The user is advised to consult with a duly licensed architect or engineer in the particular locale of the installation to assure compliance with all Legal Requirements.

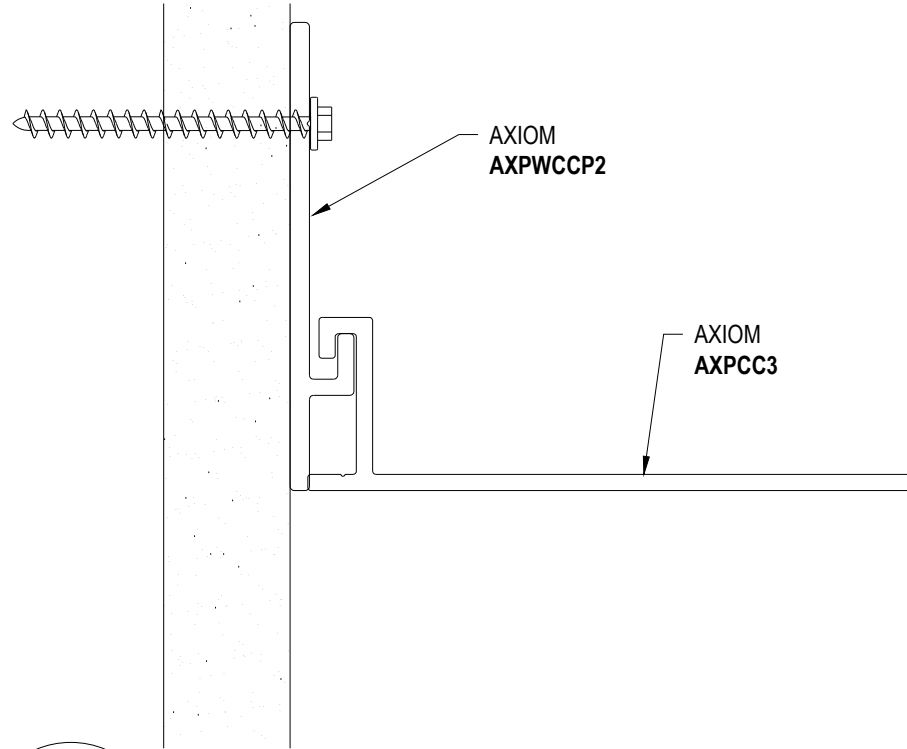
Armstrong is not licensed to provide professional architecture or engineering design services.

PROJECT NAME: AXIOM BUILDING PERIMETER MASTER SHEET			
AXIOM SPLINE CONNECTION			
DWG. NO. A-A010-DD-065		REV: .	DATE: .
DATE: 1/30/25	SCALE: 1'-0"=1'-0"	DESC.: .	
DRAWN BY: DAG		CHK BY: .	



CEILING & WALL SOLUTIONS * ARMSTRONG WORLD INDUSTRIES, INC. * Lancaster, PA * Phone: 877-ARMSTRONG





DD-066 AXIOM WALL CLIP WITH HOOK

These drawings show typical conditions in which the Armstrong product depicted is installed. They are not a substitute for an architect's or engineer's plan and do not reflect the unique requirements of local building codes, laws, statutes, ordinances, rules and regulations (Legal Requirements) that may be applicable for a particular installation.

Armstrong does not warrant, and assumes no liability for the accuracy or completeness of the drawings for a particular installation or their fitness for a particular purpose. The user is advised to consult with a duly licensed architect or engineer in the particular locale of the installation to assure compliance with all Legal Requirements.

Armstrong is not licensed to provide professional architecture or engineering design services.

PROJECT NAME: AXIOM BUILDING PERIMETER MASTER SHEET
AXIOM WALL CLIP WITH HOOK

DWG. NO. A-A010-DD-066

REV: . DATE: .

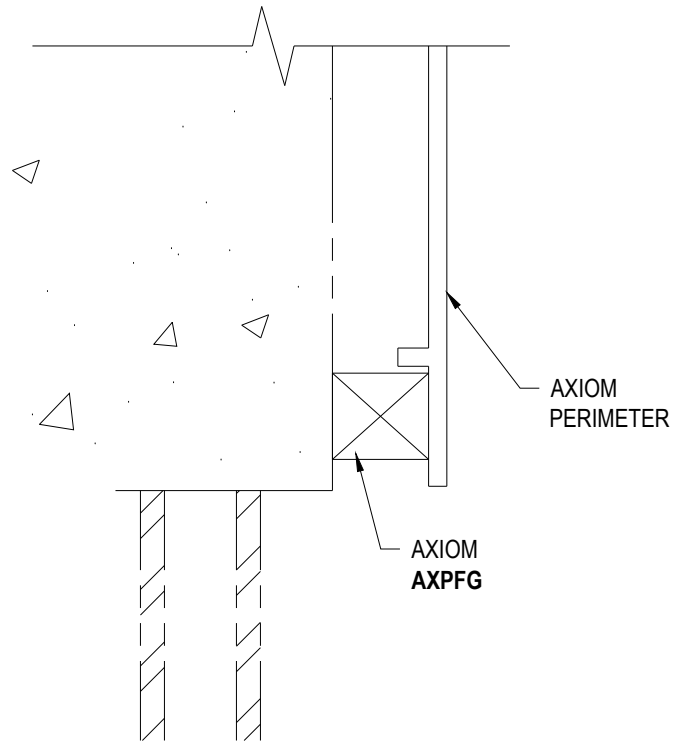
DATE: 1/30/25

SCALE: 1'-0"=1'-0"

DESC.: .

DRAWN BY: DAG

CHK BY: .



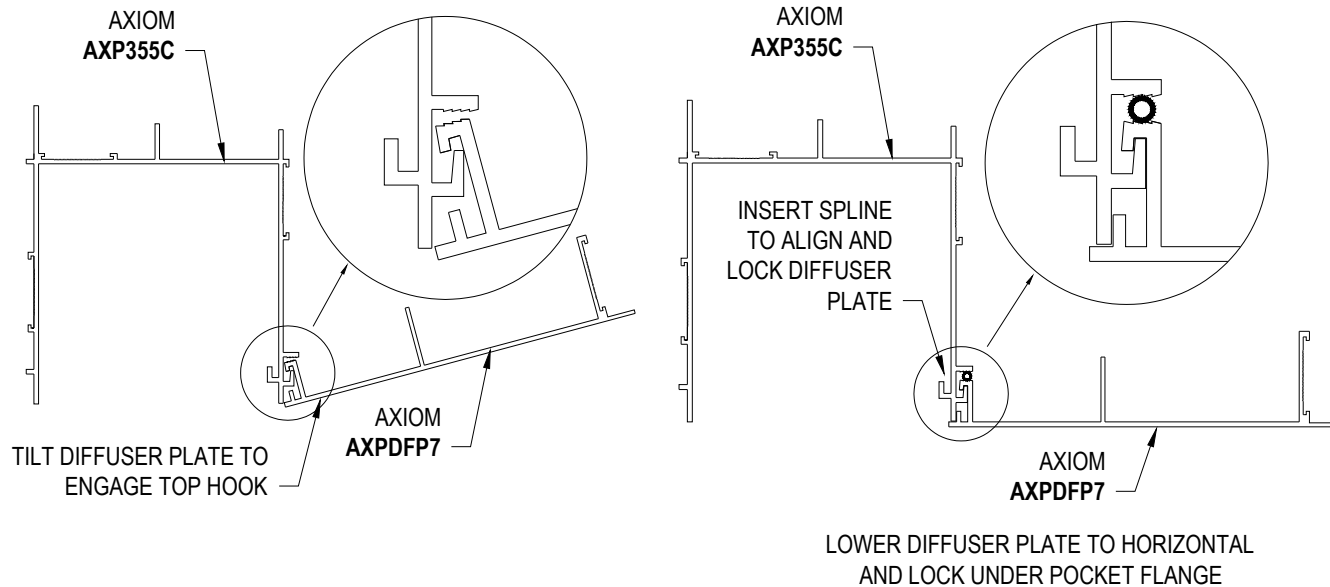
DD-067
AXIOM FOAM GASKET INSTALLATION

These drawings show typical conditions in which the Armstrong product depicted is installed. They are not a substitute for an architect's or engineer's plan and do not reflect the unique requirements of local building codes, laws, statutes, ordinances, rules and regulations (Legal Requirements) that may be applicable for a particular installation.

Armstrong does not warrant, and assumes no liability for the accuracy or completeness of the drawings for a particular installation or their fitness for a particular purpose. The user is advised to consult with a duly licensed architect or engineer in the particular locale of the installation to assure compliance with all Legal Requirements.

Armstrong is not licensed to provide professional architecture or engineering design services.

PROJECT NAME: AXIOM BUILDING PERIMETER MASTER SHEET AXIOM FOAM GASKET INSTALLATION			
DWG. NO. A-A010-DD-067		REV: .	DATE: .
DATE: 1/30/25	SCALE: 1'-0"=1'-0"	DESC.: .	
DRAWN BY: DAG	CHK BY: .		



DD-068 AXIOM FACE PLATE CONNECTION

These drawings show typical conditions in which the Armstrong product depicted is installed. They are not a substitute for an architect's or engineer's plan and do not reflect the unique requirements of local building codes, laws, statutes, ordinances, rules and regulations (Legal Requirements) that may be applicable for a particular installation.

Armstrong does not warrant, and assumes no liability for the accuracy or completeness of the drawings for a particular installation or their fitness for a particular purpose. The user is advised to consult with a duly licensed architect or engineer in the particular locale of the installation to assure compliance with all Legal Requirements.

Armstrong is not licensed to provide professional architecture or engineering design services.

PROJECT NAME: **AXIOM BUILDING PERIMETER MASTER SHEET
AXIOM FACE PLATE CONNECTION**

DWG. NO. **A-A010-DD-068**

REV: . DATE: .

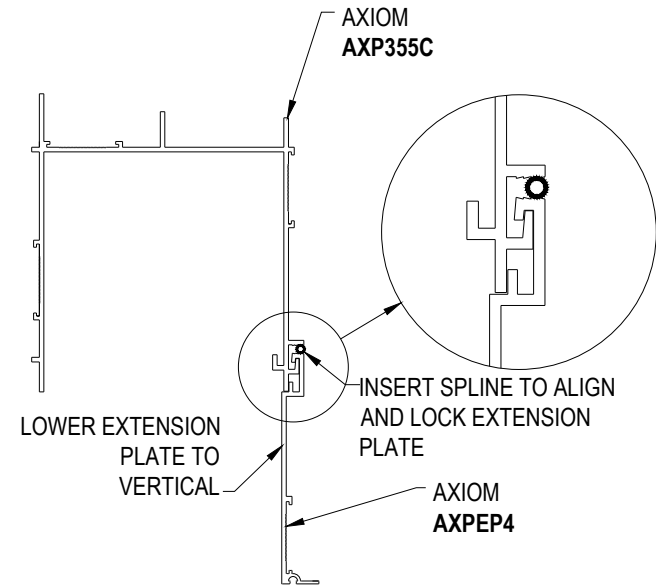
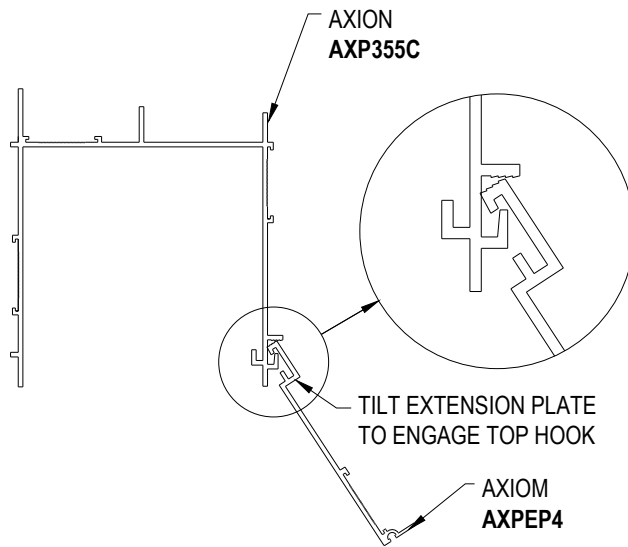
DATE: **1/30/25**

SCALE: **3"=1'-0"**

DESC.: .

DRAWN BY: **DAG**

CHK BY: .



DD-069 AXIOM PERIMETER EXTENSION CONNECTION

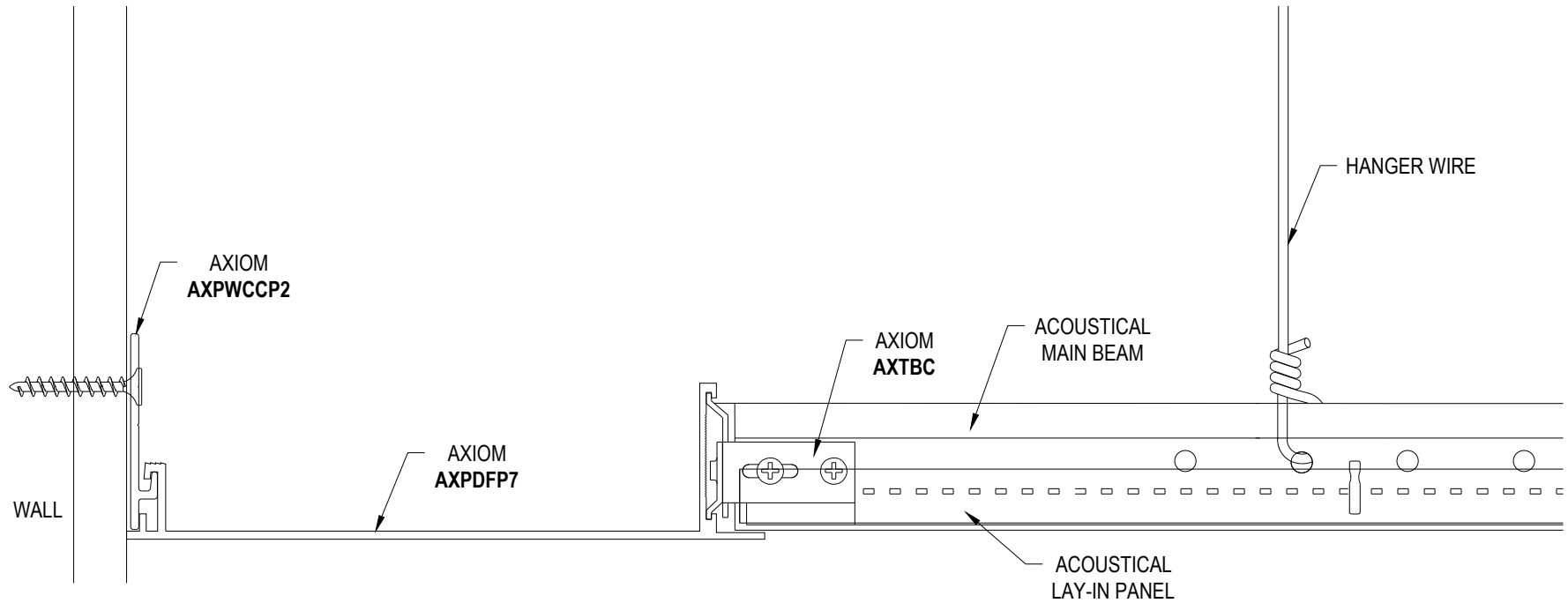
These drawings show typical conditions in which the Armstrong product depicted is installed. They are not a substitute for an architect's or engineer's plan and do not reflect the unique requirements of local building codes, laws, statutes, ordinances, rules and regulations (Legal Requirements) that may be applicable for a particular installation.

Armstrong does not warrant, and assumes no liability for the accuracy or completeness of the drawings for a particular installation or their fitness for a particular purpose. The user is advised to consult with a duly licensed architect or engineer in the particular locale of the installation to assure compliance with all Legal Requirements.

Armstrong is not licensed to provide professional architecture or engineering design services.

PROJECT NAME: AXIOM BUILDING PERIMETER MASTER SHEET
AXIOM PERIMETER EXTENSION CONNECTION

DWG. NO. A-A010-DD-069		REV: .	DATE: .
DATE: 1/30/25	SCALE: 3"=1'-0"	DESC.: .	
DRAWN BY: DAG	CHK BY: .		



DD-070 AXIOM AXPDFP7 TO ACT APPLICATION

These drawings show typical conditions in which the Armstrong product depicted is installed. They are not a substitute for an architect's or engineer's plan and do not reflect the unique requirements of local building codes, laws, statutes, ordinances, rules and regulations (Legal Requirements) that may be applicable for a particular installation.

Armstrong does not warrant, and assumes no liability for the accuracy or completeness of the drawings for a particular installation or their fitness for a particular purpose. The user is advised to consult with a duly licensed architect or engineer in the particular locale of the installation to assure compliance with all Legal Requirements.

Armstrong is not licensed to provide professional architecture or engineering design services.

PROJECT NAME: **AXIOM BUILDING PERIMETER MASTER SHEET
AXIOM AXPDFP7 TO ACT APPLICATION**

DWG. NO. **A-A010-DD-070**

REV: . DATE: .

DATE: **1/30/25**

SCALE: **6"=1'-0"**

DESC.: .

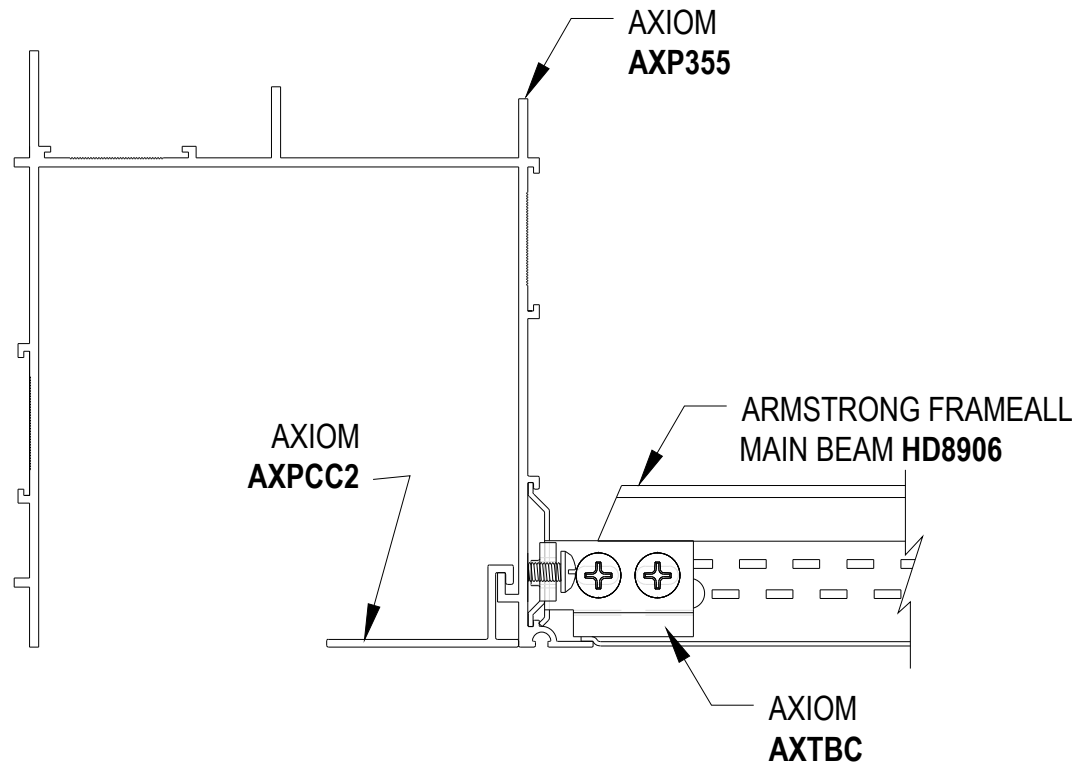
DRAWN BY: **DAG**

CHK BY: .



CEILING & WALL SOLUTIONS * ARMSTRONG WORLD INDUSTRIES, INC. * Lancaster, PA * Phone: 877-ARMSTRONG





DD-071 AXIOM PERIMETER AXP335 TO MAIN BEAM

These drawings show typical conditions in which the Armstrong product depicted is installed. They are not a substitute for an architect's or engineer's plan and do not reflect the unique requirements of local building codes, laws, statutes, ordinances, rules and regulations (Legal Requirements) that may be applicable for a particular installation.

Armstrong does not warrant, and assumes no liability for the accuracy or completeness of the drawings for a particular installation or their fitness for a particular purpose. The user is advised to consult with a duly licensed architect or engineer in the particular locale of the installation to assure compliance with all Legal Requirements.

Armstrong is not licensed to provide professional architecture or engineering design services.

PROJECT NAME: **AXIOM BUILDING PERIMETER MASTER SHEET
AXIOM PERIMETER AXP335 TO MAIN BEAM**

DWG. NO. **A-A010-DD-071**

REV: . DATE: .

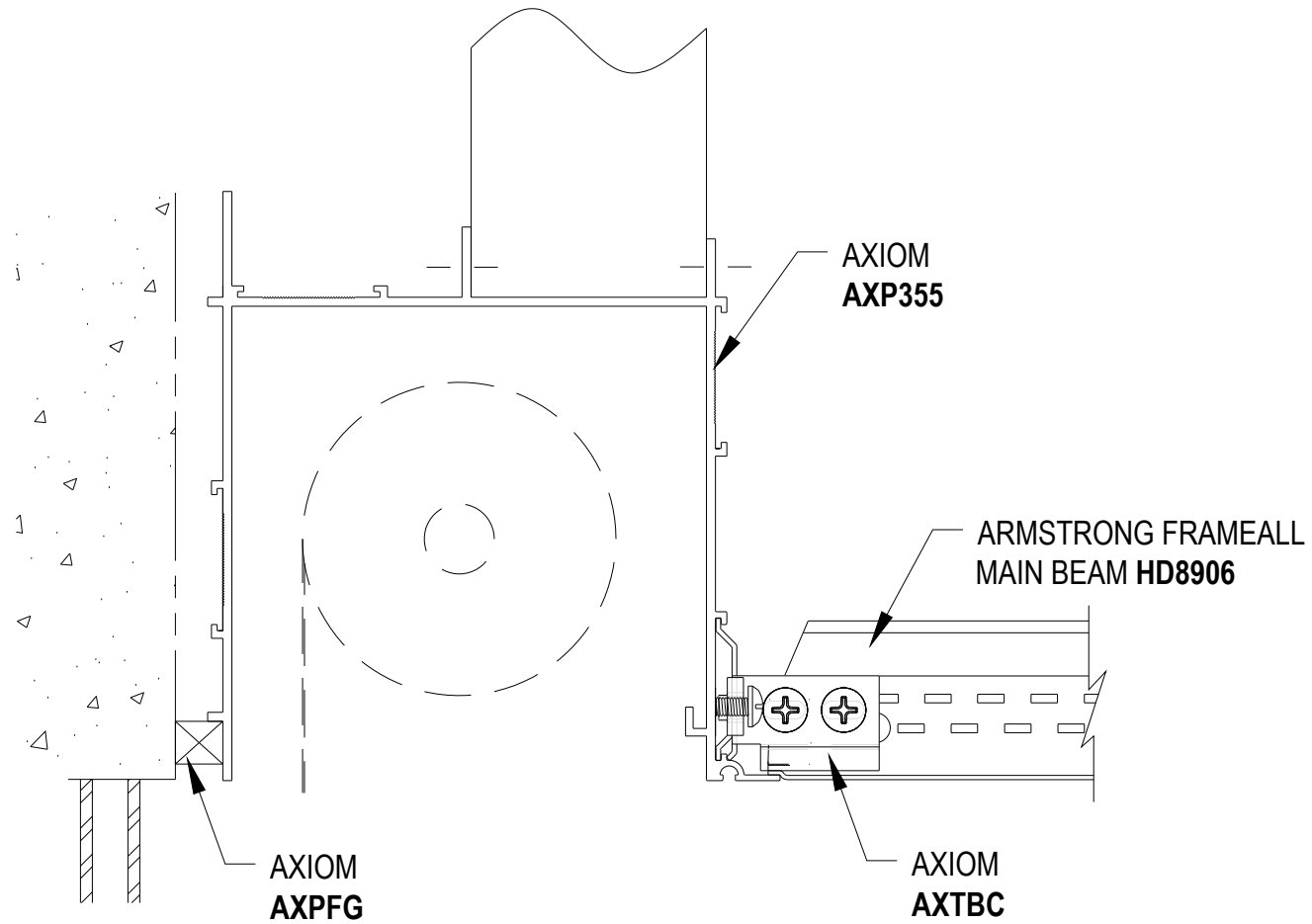
DATE: **1/30/25**

SCALE: **6"=1'-0"**

DESC.: .

DRAWN BY: **DAG**

CHK BY: .



DD-072 AXIOM BUILDING PERIMETER POCKET

These drawings show typical conditions in which the Armstrong product depicted is installed. They are not a substitute for an architect's or engineer's plan and do not reflect the unique requirements of local building codes, laws, statutes, ordinances, rules and regulations (Legal Requirements) that may be applicable for a particular installation.

Armstrong does not warrant, and assumes no liability for the accuracy or completeness of the drawings for a particular installation or their fitness for a particular purpose. The user is advised to consult with a duly licensed architect or engineer in the particular locale of the installation to assure compliance with all Legal Requirements.

Armstrong is not licensed to provide professional architecture or engineering design services.

PROJECT NAME: AXIOM BUILDING PERIMETER MASTER SHEET
AXIOM BUILDING PERIMETER POCKET

DWG. NO. A-A010-DD-072

REV: . DATE: .

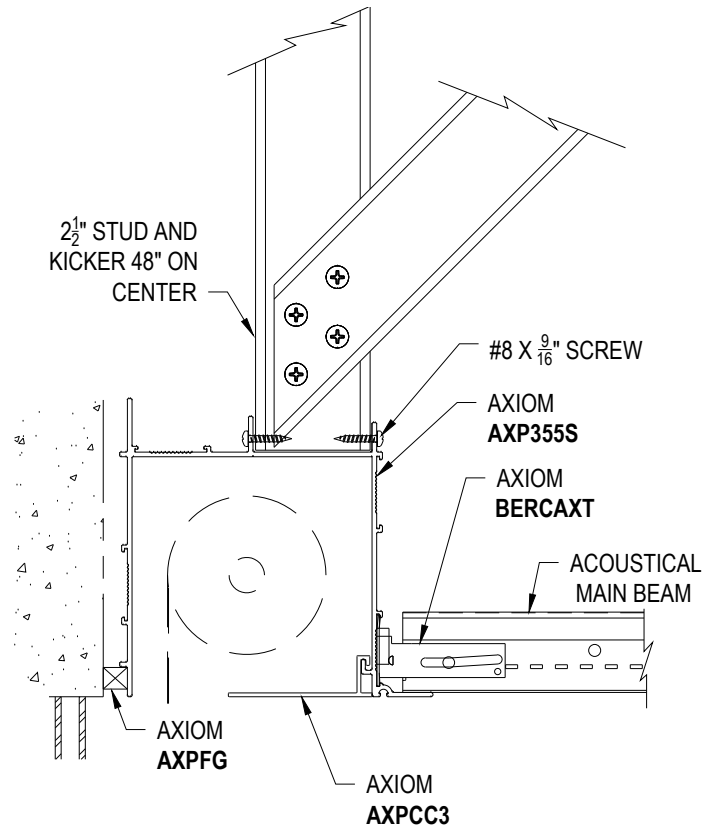
DATE: 1/30/25

SCALE: 6"=1'-0"

DESC.: .

DRAWN BY: DAG

CHK BY: .



DD-073 AXIOM PERIMETER POCKET WITH BERCAXT AND AXPCC3

These drawings show typical conditions in which the Armstrong product depicted is installed. They are not a substitute for an architect's or engineer's plan and do not reflect the unique requirements of local building codes, laws, statutes, ordinances, rules and regulations (Legal Requirements) that may be applicable for a particular installation.

Armstrong does not warrant, and assumes no liability for the accuracy or completeness of the drawings for a particular installation or their fitness for a particular purpose. The user is advised to consult with a duly licensed architect or engineer in the particular locale of the installation to assure compliance with all Legal Requirements.

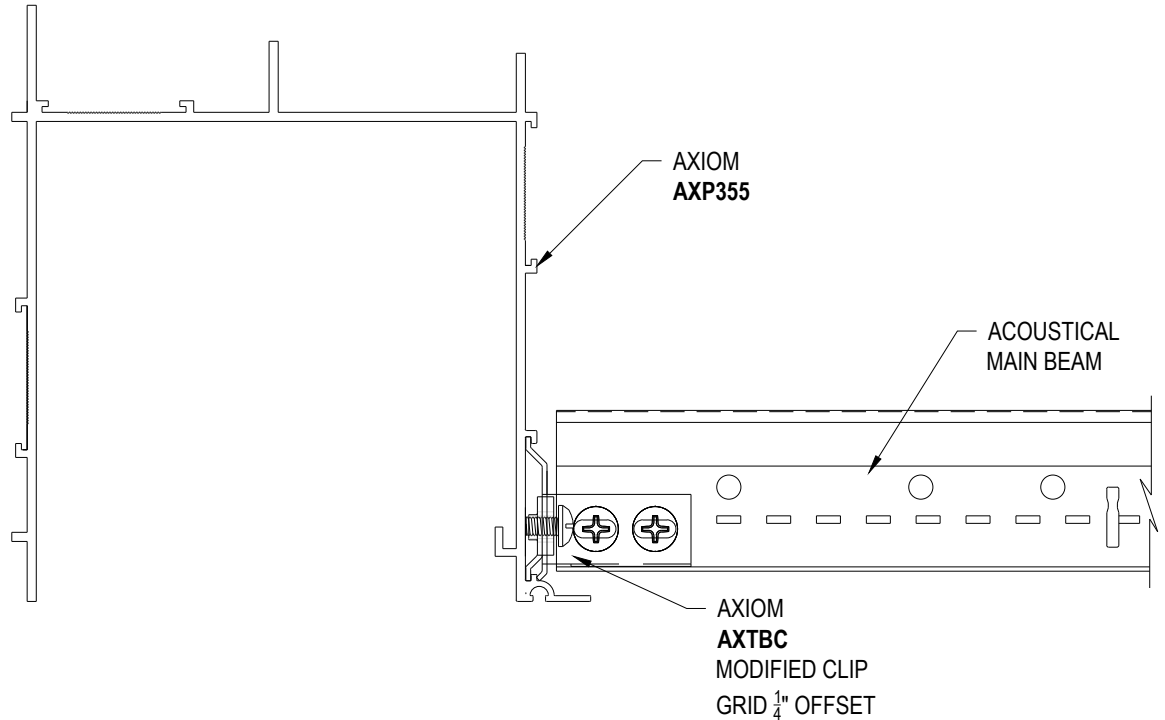
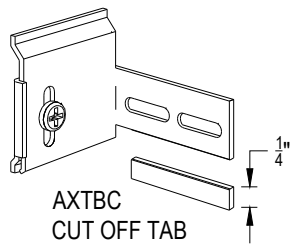
Armstrong is not licensed to provide professional architecture or engineering design services.

PROJECT NAME: AXIOM BUILDING PERIMETER MASTER SHEET AXIOM PERIMETER POCKET WITH BERCAXT AND AXPCC3			
DWG. NO. A-A010-DD-073		REV: .	DATE: .
DATE: 1/30/25	SCALE: 3"=1'-0"	DESC.: .	
DRAWN BY: DAG	CHK BY: .		



CEILING & WALL SOLUTIONS * ARMSTRONG WORLD INDUSTRIES, INC. * Lancaster, PA * Phone: 877-ARMSTRONG





DD-074 AXIOM PERIMETER TO ACT 1/4" OFFSET

These drawings show typical conditions in which the Armstrong product depicted is installed. They are not a substitute for an architect's or engineer's plan and do not reflect the unique requirements of local building codes, laws, statutes, ordinances, rules and regulations (Legal Requirements) that may be applicable for a particular installation.

Armstrong does not warrant, and assumes no liability for the accuracy or completeness of the drawings for a particular installation or their fitness for a particular purpose. The user is advised to consult with a duly licensed architect or engineer in the particular locale of the installation to assure compliance with all Legal Requirements.

Armstrong is not licensed to provide professional architecture or engineering design services.

PROJECT NAME: **AXIOM BUILDING PERIMETER MASTER SHEET
AXIOM PERIMETER TO ACT 1/4" OFFSET**

DWG. NO. **A-A010-DD-074**

REV: . DATE: .

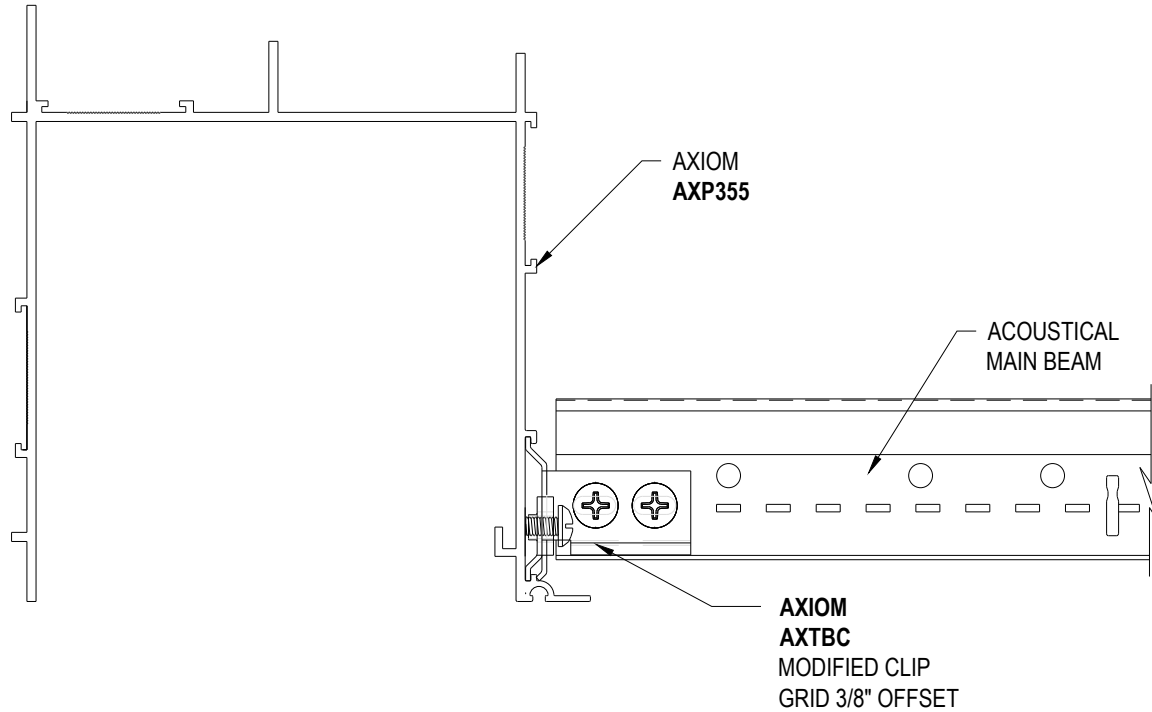
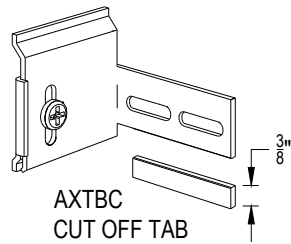
DATE: **1/30/25**

SCALE: **6"=1'-0"**

DESC.: .

DRAWN BY: **DAG**

CHK BY: .



DD-075 AXIOM PERIMETER TO ACT 3/8" OFFSET

These drawings show typical conditions in which the Armstrong product depicted is installed. They are not a substitute for an architect's or engineer's plan and do not reflect the unique requirements of local building codes, laws, statutes, ordinances, rules and regulations (Legal Requirements) that may be applicable for a particular installation.

Armstrong does not warrant, and assumes no liability for the accuracy or completeness of the drawings for a particular installation or their fitness for a particular purpose. The user is advised to consult with a duly licensed architect or engineer in the particular locale of the installation to assure compliance with all Legal Requirements.

Armstrong is not licensed to provide professional architecture or engineering design services.

PROJECT NAME: **AXIOM BUILDING PERIMETER MASTER SHEET
AXIOM PERIMETER TO ACT 3/8" OFFSET**

DWG. NO. **A-A010-DD-075**

REV: . DATE: .

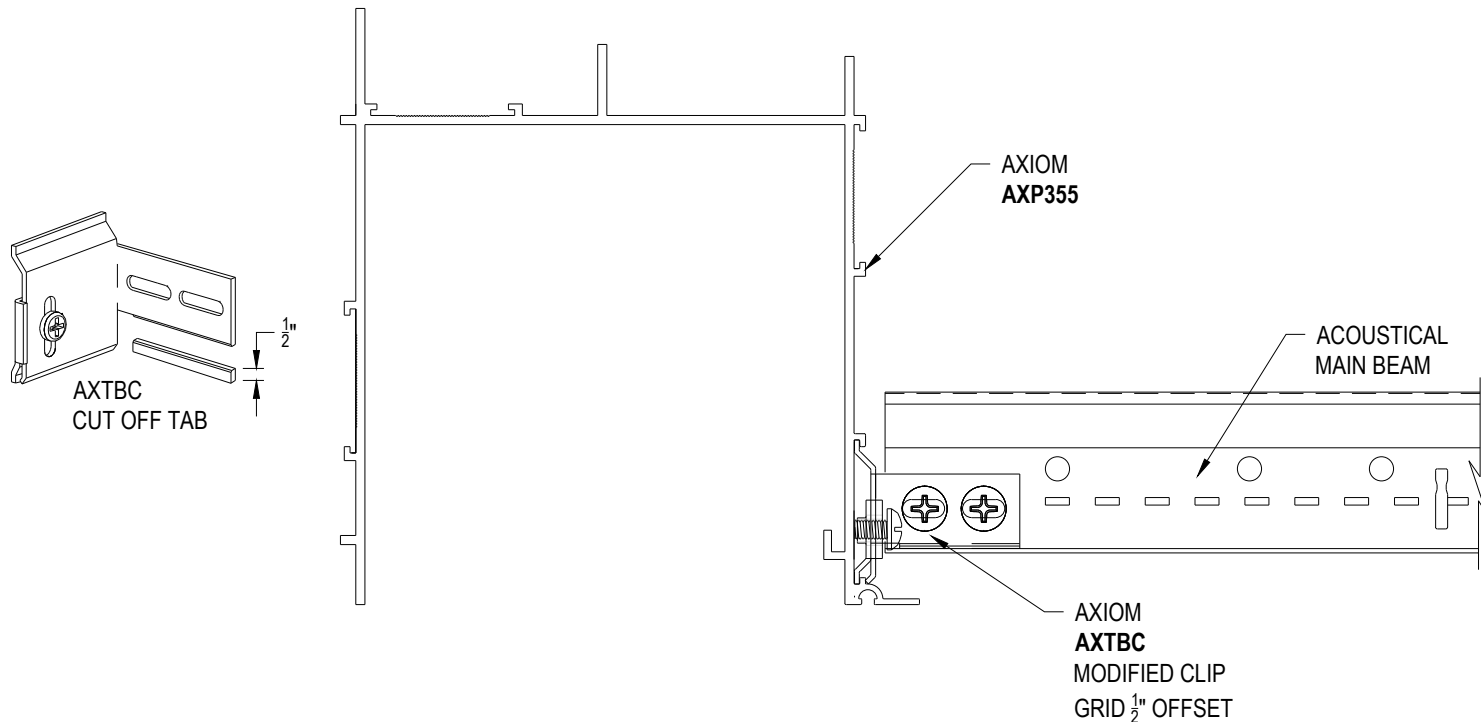
DATE: **1/30/25**

SCALE: **6"=1'-0"**

DESC.: .

DRAWN BY: **DAG**

CHK BY: .



DD-076
AXIOM PERIMETER TO ACT 1/2" OFFSET

These drawings show typical conditions in which the Armstrong product depicted is installed. They are not a substitute for an architect's or engineer's plan and do not reflect the unique requirements of local building codes, laws, statutes, ordinances, rules and regulations (Legal Requirements) that may be applicable for a particular installation.

Armstrong does not warrant, and assumes no liability for the accuracy or completeness of the drawings for a particular installation or their fitness for a particular purpose. The user is advised to consult with a duly licensed architect or engineer in the particular locale of the installation to assure compliance with all Legal Requirements.

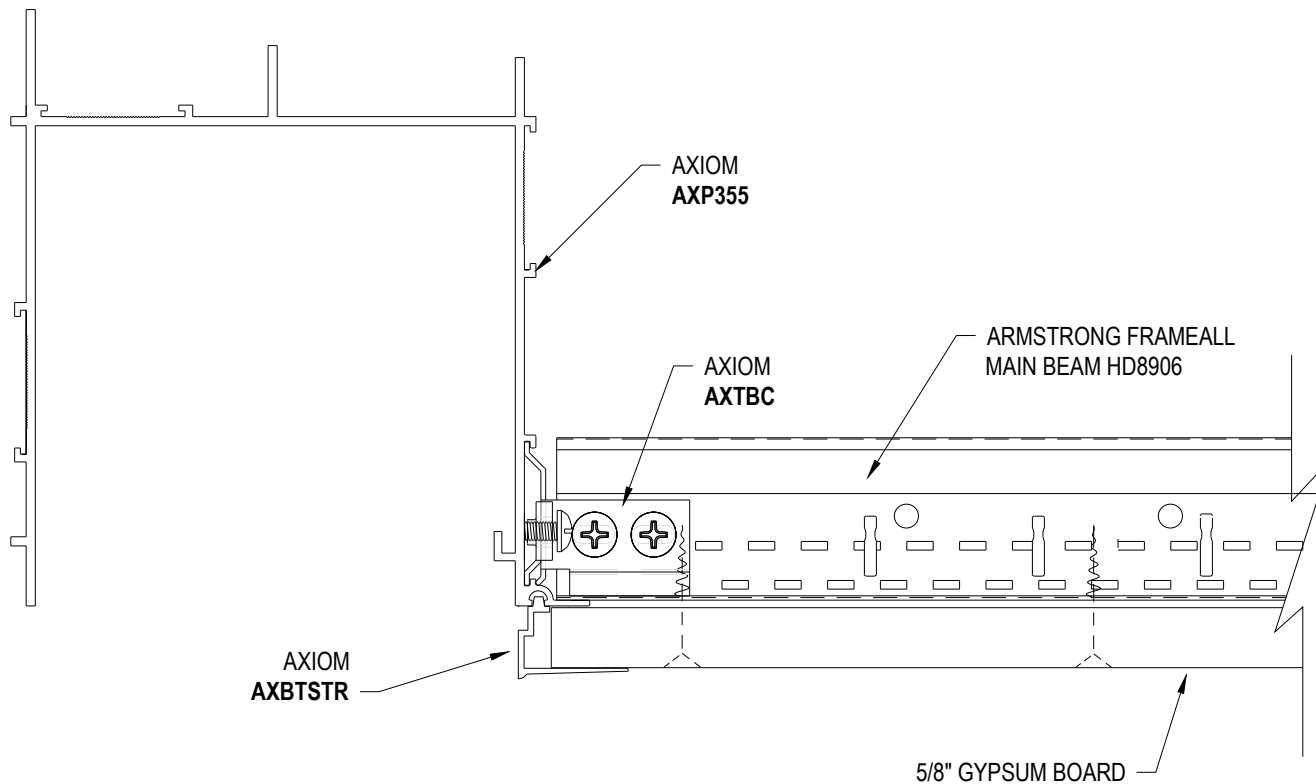
Armstrong is not licensed to provide professional architecture or engineering design services.

PROJECT NAME: AXIOM BUILDING PERIMETER MASTER SHEET			
AXIOM PERIMETER TO ACT 1/2" OFFSET			
DWG. NO. A-A010-DD-076		REV: .	DATE: .
DATE: 1/30/25	SCALE: 6"=1'-0"	DESC.: .	
DRAWN BY: DAG	CHK BY: .		



CEILING & WALL SOLUTIONS * ARMSTRONG WORLD INDUSTRIES, INC. * Lancaster, PA * Phone: 877-ARMSTRONG





DD-077 AXIOM PERIMETER TO DRYWALL

These drawings show typical conditions in which the Armstrong product depicted is installed. They are not a substitute for an architect's or engineer's plan and do not reflect the unique requirements of local building codes, laws, statutes, ordinances, rules and regulations (Legal Requirements) that may be applicable for a particular installation.

Armstrong does not warrant, and assumes no liability for the accuracy or completeness of the drawings for a particular installation or their fitness for a particular purpose. The user is advised to consult with a duly licensed architect or engineer in the particular locale of the installation to assure compliance with all Legal Requirements.

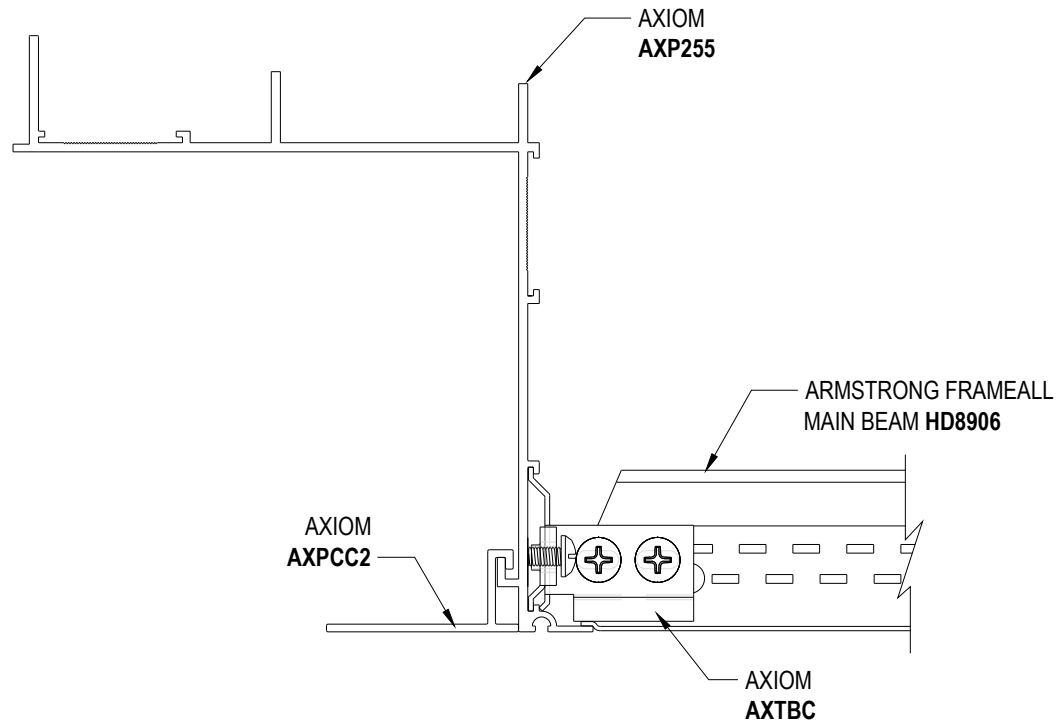
Armstrong is not licensed to provide professional architecture or engineering design services.

PROJECT NAME: AXIOM BUILDING PERIMETER MASTER SHEET			
AXIOM PERIMETER TO DRYWALL			
DWG. NO. A-A010-DD-077	REV: .	DATE: .	
DATE: 1/30/25	SCALE: 6"=1'-0"	DESC.: .	
DRAWN BY: DAG	CHK BY: .		



CEILING & WALL SOLUTIONS * ARMSTRONG WORLD INDUSTRIES, INC. * Lancaster, PA * Phone: 877-ARMSTRONG





DD-078

AXIOM PERIMETER AXP255 TO ACT WITH AXPCC2

These drawings show typical conditions in which the Armstrong product depicted is installed. They are not a substitute for an architect's or engineer's plan and do not reflect the unique requirements of local building codes, laws, statutes, ordinances, rules and regulations (Legal Requirements) that may be applicable for a particular installation.

Armstrong does not warrant, and assumes no liability for the accuracy or completeness of the drawings for a particular installation or their fitness for a particular purpose. The user is advised to consult with a duly licensed architect or engineer in the particular locale of the installation to assure compliance with all Legal Requirements.

Armstrong is not licensed to provide professional architecture or engineering design services.

PROJECT NAME: AXIOM BUILDING PERIMETER MASTER SHEET
AXIOM PERIMETER AXP255 TO ACT WITH AXPCC2

DWG. NO. A-A010-DD-078

REV: . DATE: .

DATE: 1/30/25

SCALE: 6"=1'-0"

DESC.: .

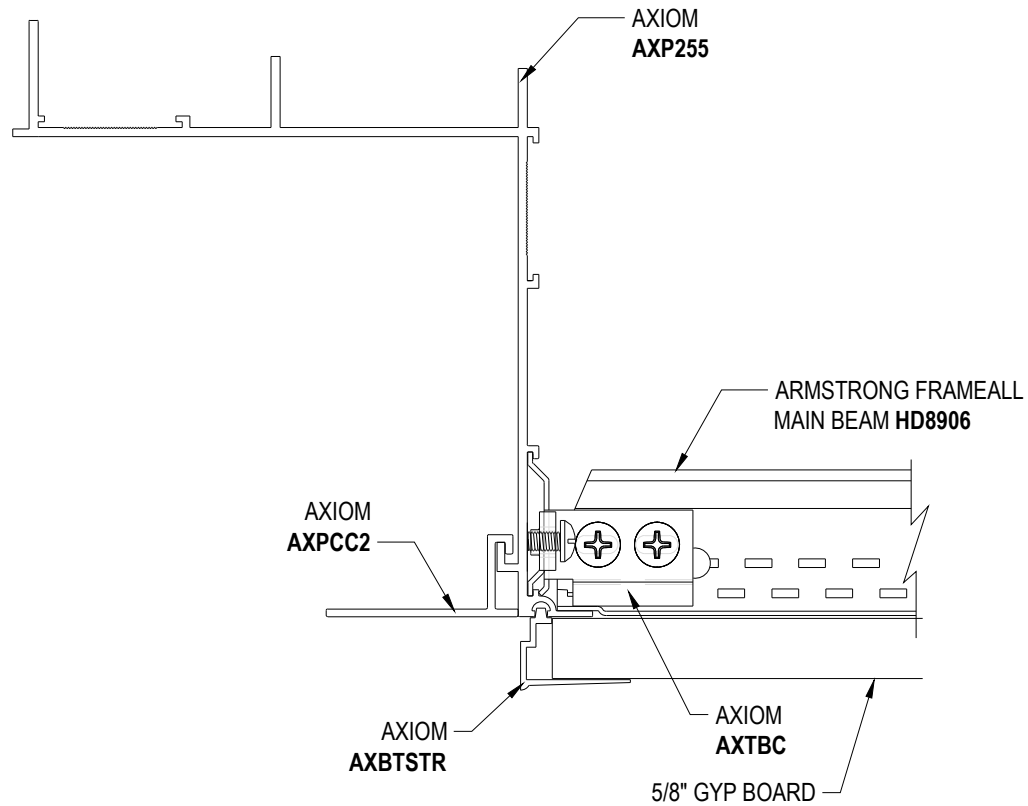
DRAWN BY: DAG

CHK BY: .

TechLine

CEILING & WALL SOLUTIONS * ARMSTRONG WORLD INDUSTRIES, INC. * Lancaster, PA * Phone: 877-ARMSTRONG

Armstrong
World Industries



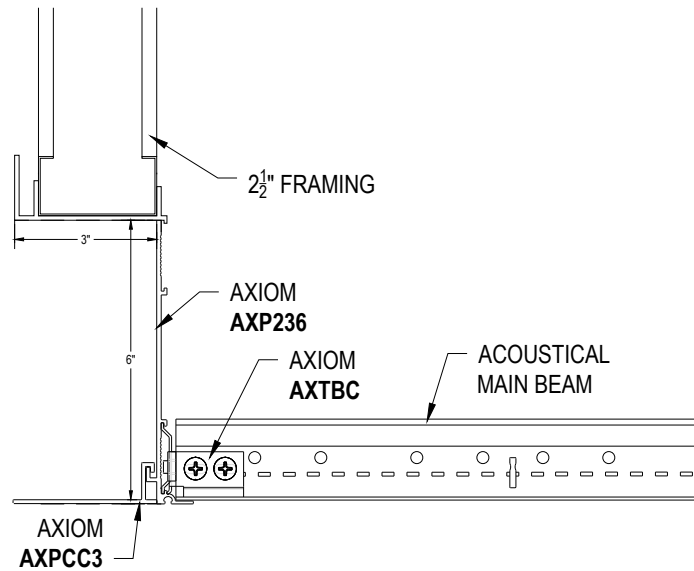
DD-079 AXIOM PERIMETER AXP255 TO DRYWALL

These drawings show typical conditions in which the Armstrong product depicted is installed. They are not a substitute for an architect's or engineer's plan and do not reflect the unique requirements of local building codes, laws, statutes, ordinances, rules and regulations (Legal Requirements) that may be applicable for a particular installation.

Armstrong does not warrant, and assumes no liability for the accuracy or completeness of the drawings for a particular installation or their fitness for a particular purpose. The user is advised to consult with a duly licensed architect or engineer in the particular locale of the installation to assure compliance with all Legal Requirements.

Armstrong is not licensed to provide professional architecture or engineering design services.

PROJECT NAME: AXIOM BUILDING PERIMETER MASTER SHEET AXIOM PERIMETER AXP255 TO DRYWALL			
DWG. NO. A-A010-DD-079		REV: .	DATE: .
DATE: 1/30/25	SCALE: 6"=1'-0"	DESC.: .	
DRAWN BY: DAG	CHK BY: .		



DD-080

AXIOM PERIMETER AXP236 TO ACT

These drawings show typical conditions in which the Armstrong product depicted is installed. They are not a substitute for an architect's or engineer's plan and do not reflect the unique requirements of local building codes, laws, statutes, ordinances, rules and regulations (Legal Requirements) that may be applicable for a particular installation.

Armstrong does not warrant, and assumes no liability for the accuracy or completeness of the drawings for a particular installation or their fitness for a particular purpose. The user is advised to consult with a duly licensed architect or engineer in the particular locale of the installation to assure compliance with all Legal Requirements.

Armstrong is not licensed to provide professional architecture or engineering design services.

PROJECT NAME: **AXIOM BUILDING PERIMETER MASTER SHEET
AXIOM PERIMETER AXP236 TO ACT**

DWG. NO. **A-A010-DD-080**

REV: . DATE: .

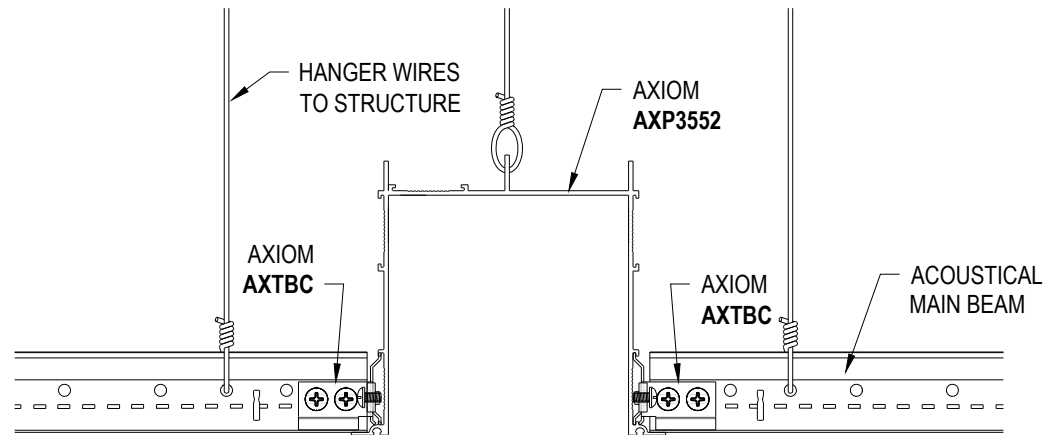
DATE: **1/30/25**

SCALE: **3"=1'-0"**

DESC.: .

DRAWN BY: **DAG**

CHK BY: .



DD-081 AXIOM PERIMETER ACT TRANSITION ON TWO SIDES

These drawings show typical conditions in which the Armstrong product depicted is installed. They are not a substitute for an architect's or engineer's plan and do not reflect the unique requirements of local building codes, laws, statutes, ordinances, rules and regulations (Legal Requirements) that may be applicable for a particular installation.

Armstrong does not warrant, and assumes no liability for the accuracy or completeness of the drawings for a particular installation or their fitness for a particular purpose. The user is advised to consult with a duly licensed architect or engineer in the particular locale of the installation to assure compliance with all Legal Requirements.

Armstrong is not licensed to provide professional architecture or engineering design services.

PROJECT NAME: AXIOM BUILDING PERIMETER MASTER SHEET
AXIOM PERIMETER ACT TRANSITION ON TWO SIDES

DWG. NO. A-A010-DD-081

REV: . DATE: .

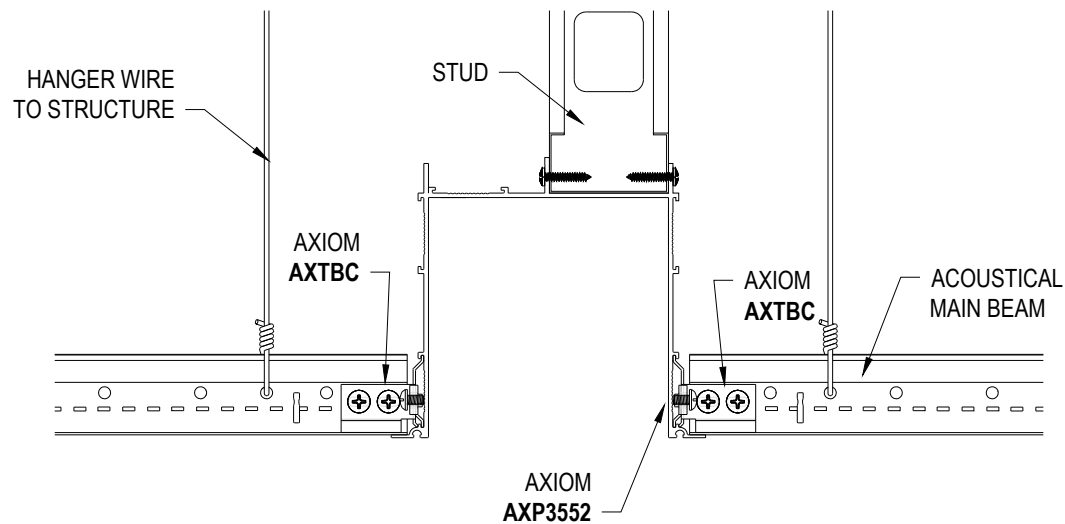
DATE: 1/30/25

SCALE: 3"=1'-0"

DESC.: .

DRAWN BY: DAG

CHK BY: .



DD-082

AXIOM PERIMETER ACT TRANSITION ON TWO SIDES WITH STUD

These drawings show typical conditions in which the Armstrong product depicted is installed. They are not a substitute for an architect's or engineer's plan and do not reflect the unique requirements of local building codes, laws, statutes, ordinances, rules and regulations (Legal Requirements) that may be applicable for a particular installation.

Armstrong does not warrant, and assumes no liability for the accuracy or completeness of the drawings for a particular installation or their fitness for a particular purpose. The user is advised to consult with a duly licensed architect or engineer in the particular locale of the installation to assure compliance with all Legal Requirements.

Armstrong is not licensed to provide professional architecture or engineering design services.

PROJECT NAME: AXIOM BUILDING PERIMETER MASTER SHEET
AXIOM PERIMETER ACT TRANSITION ON TWO SIDES WITH STUD

DWG. NO. A-A010-DD-082

REV: . DATE: .

DATE: 1/30/25

SCALE: 3"=1'-0"

DESC.: .

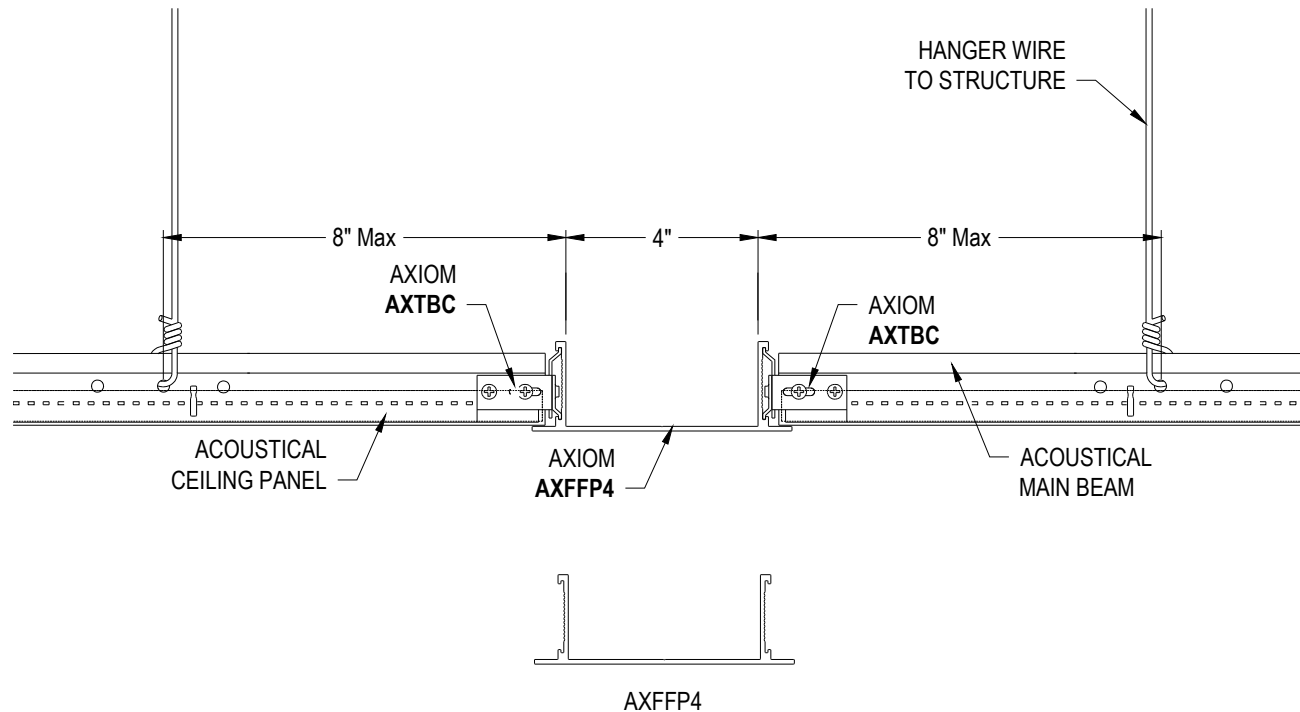
DRAWN BY: DAG

CHK BY: .

TechLine

CEILING & WALL SOLUTIONS * ARMSTRONG WORLD INDUSTRIES, INC. * Lancaster, PA * Phone: 877-ARMSTRONG

Armstrong
World Industries



DD-083 AXIOM FIELD PLATE ACT TRANSITION ON BOTH SIDES

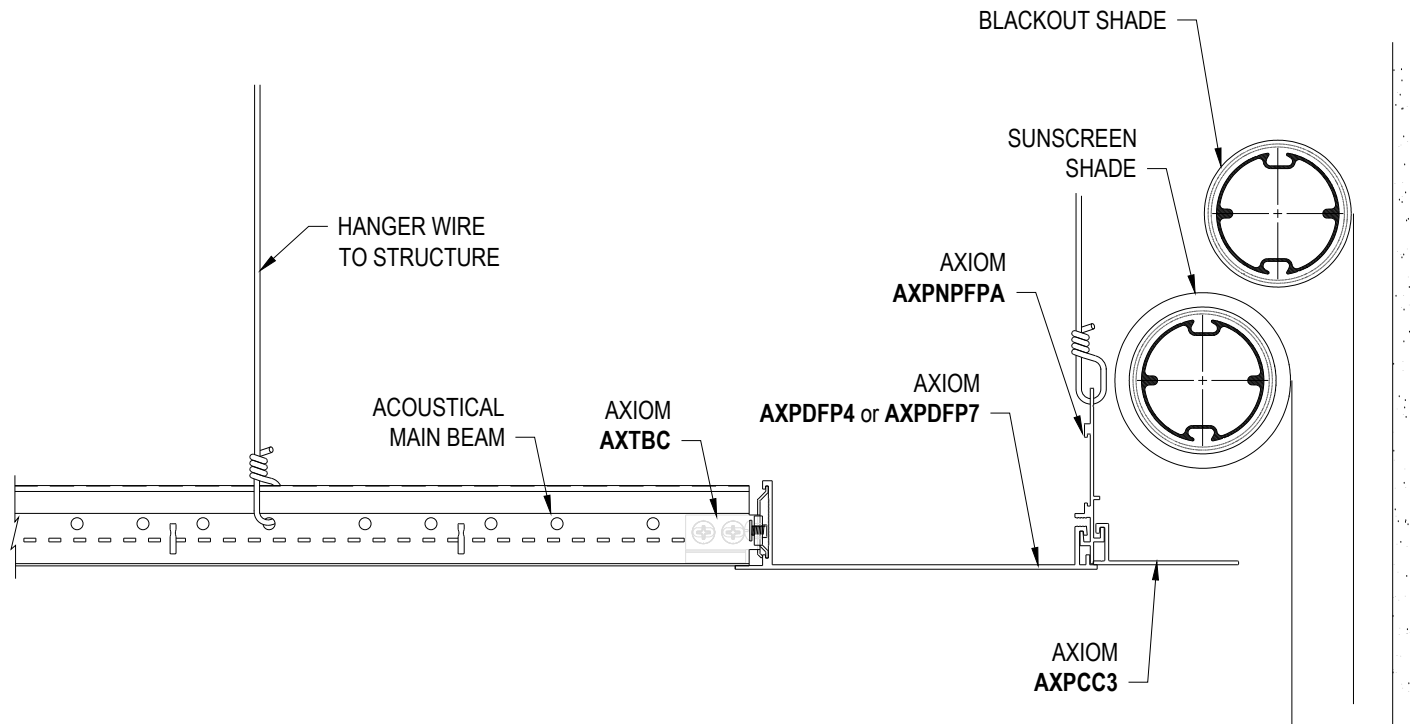
These drawings show typical conditions in which the Armstrong product depicted is installed. They are not a substitute for an architect's or engineer's plan and do not reflect the unique requirements of local building codes, laws, statutes, ordinances, rules and regulations (Legal Requirements) that may be applicable for a particular installation.

Armstrong does not warrant, and assumes no liability for the accuracy or completeness of the drawings for a particular installation or their fitness for a particular purpose. The user is advised to consult with a duly licensed architect or engineer in the particular locale of the installation to assure compliance with all Legal Requirements.

Armstrong is not licensed to provide professional architecture or engineering design services.

PROJECT NAME: AXIOM BUILDING PERIMETER MASTER SHEET AXIOM FIELD PLATE ACT TRANSITION ON BOTH SIDES			
DWG. NO. A-A010-DD-083		REV: .	DATE: .
DATE: 1/30/25	SCALE: 3"=1'-0"	DESC.: .	
DRAWN BY: DAG	CHK BY: .		





DD-084 AXIOM POCKETLESS SHADE AXPNPFPA

These drawings show typical conditions in which the Armstrong product depicted is installed. They are not a substitute for an architect's or engineer's plan and do not reflect the unique requirements of local building codes, laws, statutes, ordinances, rules and regulations (Legal Requirements) that may be applicable for a particular installation.

Armstrong does not warrant, and assumes no liability for the accuracy or completeness of the drawings for a particular installation or their fitness for a particular purpose. The user is advised to consult with a duly licensed architect or engineer in the particular locale of the installation to assure compliance with all Legal Requirements.

Armstrong is not licensed to provide professional architecture or engineering design services.

PROJECT NAME: **AXIOM BUILDING PERIMETER MASTER SHEET
AXIOM POCKETLESS SHADE AXPNPFPA**

DWG. NO. **A-A010-DD-084**

REV: . DATE: .

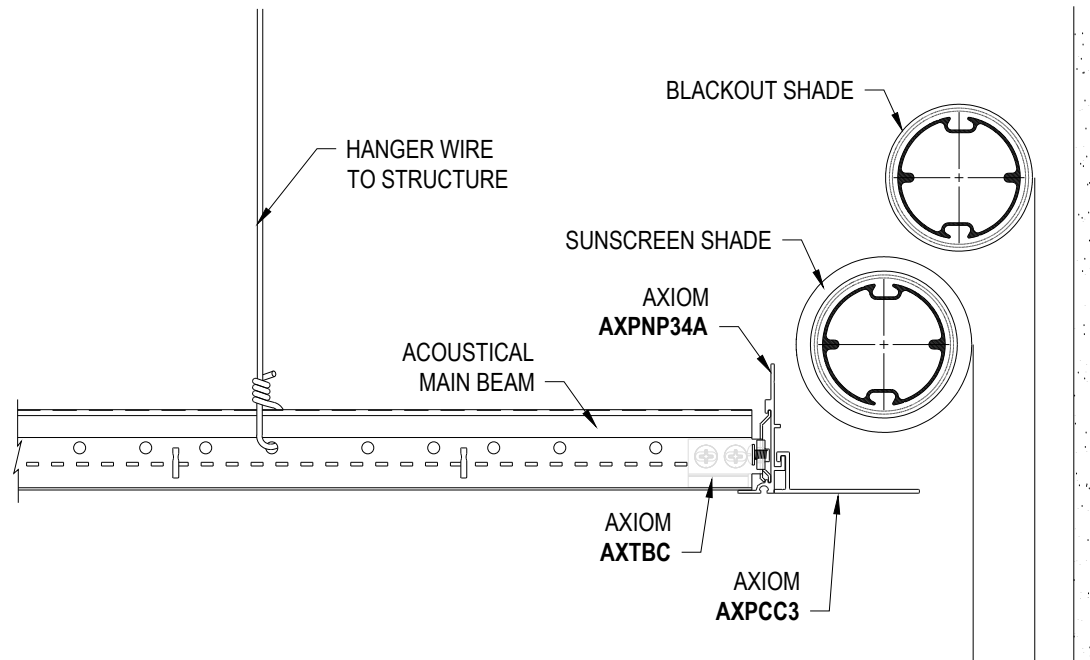
DATE: **1/30/25**

SCALE: **3"=1'-0"**

DESC.: .

DRAWN BY: **DAG**

CHK BY: .



DD-085 AXIOM POCKETLESS SHADE AXPNP34A

These drawings show typical conditions in which the Armstrong product depicted is installed. They are not a substitute for an architect's or engineer's plan and do not reflect the unique requirements of local building codes, laws, statutes, ordinances, rules and regulations (Legal Requirements) that may be applicable for a particular installation.

Armstrong does not warrant, and assumes no liability for the accuracy or completeness of the drawings for a particular installation or their fitness for a particular purpose. The user is advised to consult with a duly licensed architect or engineer in the particular locale of the installation to assure compliance with all Legal Requirements.

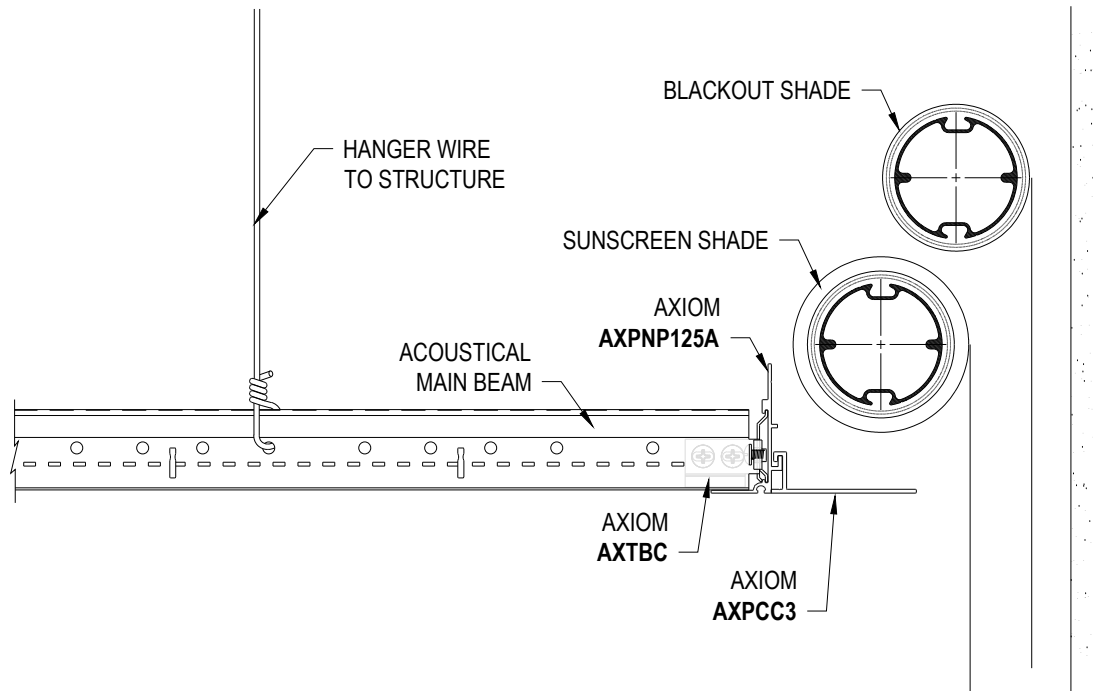
Armstrong is not licensed to provide professional architecture or engineering design services.

PROJECT NAME: AXIOM BUILDING PERIMETER MASTER SHEET AXIOM POCKETLESS SHADE AXPNP34A			
DWG. NO. A-A010-DD-085		REV: .	DATE: .
DATE: 1/30/25	SCALE: 3"=1'-0"		DESC.: .
DRAWN BY: DAG	CHK BY: .		



CEILING & WALL SOLUTIONS * ARMSTRONG WORLD INDUSTRIES, INC. * Lancaster, PA * Phone: 877-ARMSTRONG





DD-086 AXIOM POCKETLESS SHADE AXPNP125A

These drawings show typical conditions in which the Armstrong product depicted is installed. They are not a substitute for an architect's or engineer's plan and do not reflect the unique requirements of local building codes, laws, statutes, ordinances, rules and regulations (Legal Requirements) that may be applicable for a particular installation.

Armstrong does not warrant, and assumes no liability for the accuracy or completeness of the drawings for a particular installation or their fitness for a particular purpose. The user is advised to consult with a duly licensed architect or engineer in the particular locale of the installation to assure compliance with all Legal Requirements.

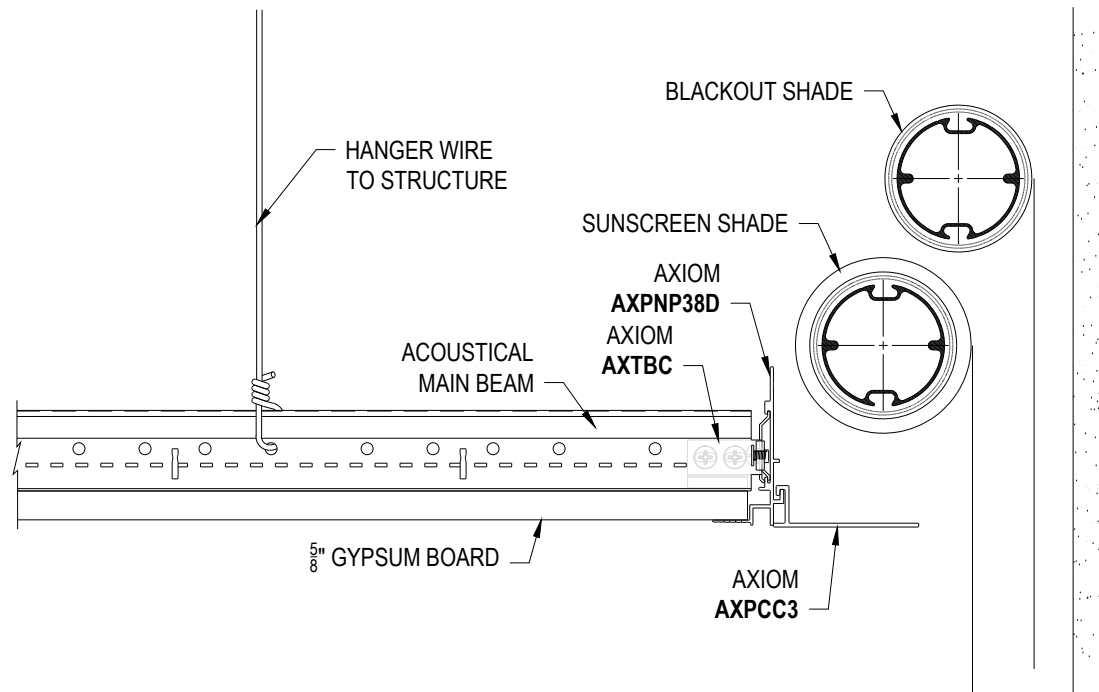
Armstrong is not licensed to provide professional architecture or engineering design services.

PROJECT NAME: AXIOM BUILDING PERIMETER MASTER SHEET			
AXIOM POCKETLESS SHADE AXPNP125A			
DWG. NO. A-A010-DD-086	REV: .	DATE: .	
DATE: 1/30/25	SCALE: 3"=1'-0"		DESC.: .
DRAWN BY: DAG	CHK BY: .		



CEILING & WALL SOLUTIONS * ARMSTRONG WORLD INDUSTRIES, INC. * Lancaster, PA * Phone: 877-ARMSTRONG





DD-087 AXIOM POCKETLESS SHADE DRYWALL AXPNP38D

These drawings show typical conditions in which the Armstrong product depicted is installed. They are not a substitute for an architect's or engineer's plan and do not reflect the unique requirements of local building codes, laws, statutes, ordinances, rules and regulations (Legal Requirements) that may be applicable for a particular installation.

Armstrong does not warrant, and assumes no liability for the accuracy or completeness of the drawings for a particular installation or their fitness for a particular purpose. The user is advised to consult with a duly licensed architect or engineer in the particular locale of the installation to assure compliance with all Legal Requirements.

Armstrong is not licensed to provide professional architecture or engineering design services.

**PROJECT NAME: AXIOM BUILDING PERIMETER MASTER SHEET
AXIOM POCKETLESS SHADE DRYWALL AXPNP38D**

DWG. NO. **A-A010-DD-087**

REV: . DATE: .

DATE: **1/30/25**

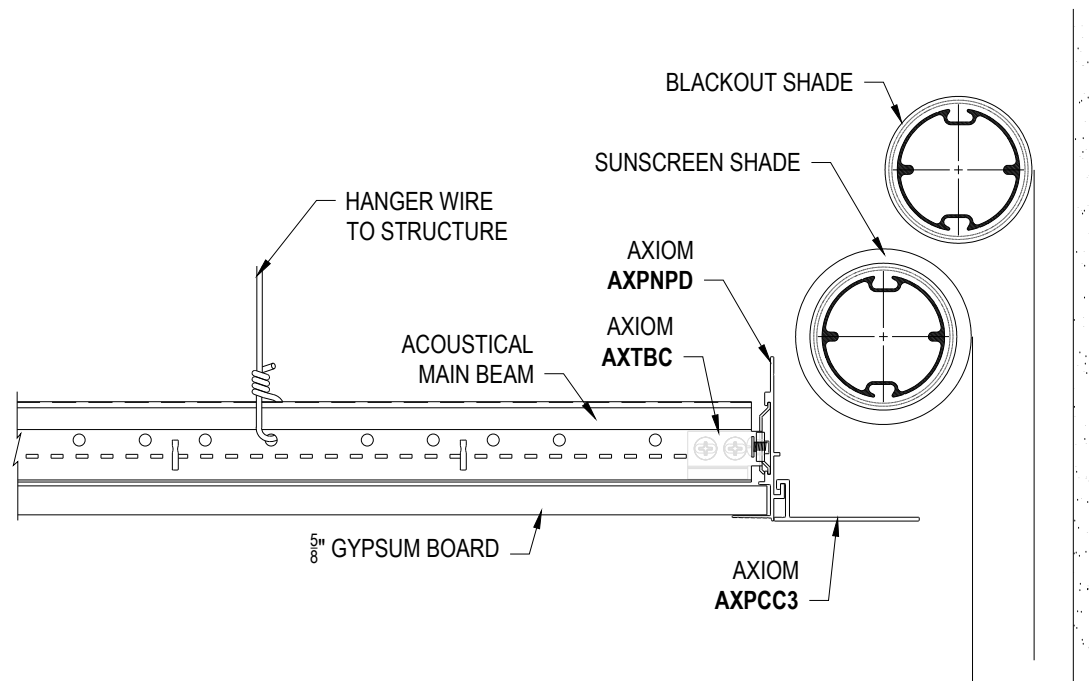
SCALE: **3"=1'-0"**

DESC.: .

DRAWN BY: **DAG**

CHK BY: .





DD-088 AXIOM POCKETLESS SHADE DRYWALL AXPNPD

These drawings show typical conditions in which the Armstrong product depicted is installed. They are not a substitute for an architect's or engineer's plan and do not reflect the unique requirements of local building codes, laws, statutes, ordinances, rules and regulations (Legal Requirements) that may be applicable for a particular installation.

Armstrong does not warrant, and assumes no liability for the accuracy or completeness of the drawings for a particular installation or their fitness for a particular purpose. The user is advised to consult with a duly licensed architect or engineer in the particular locale of the installation to assure compliance with all Legal Requirements.

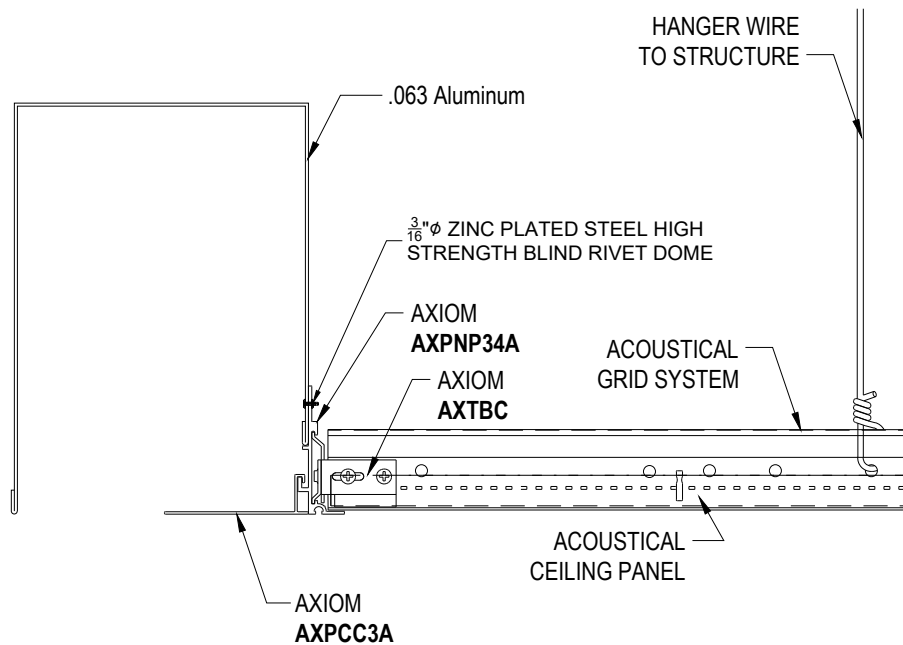
Armstrong is not licensed to provide professional architecture or engineering design services.

PROJECT NAME: AXIOM BUILDING PERIMETER MASTER SHEET AXIOM POCKETLESS SHADE DRYWALL AXPNPD			
DWG. NO. A-A010-DD-088		REV: .	DATE: .
DATE: 1/30/25	SCALE: 3"=1'-0"		DESC.: .
DRAWN BY: DAG	CHK BY: .		



CEILING & WALL SOLUTIONS * ARMSTRONG WORLD INDUSTRIES, INC. * Lancaster, PA * Phone: 877-ARMSTRONG





DD-089

AXIOM PERIMETER AXP3685A TO ACT

These drawings show typical conditions in which the Armstrong product depicted is installed. They are not a substitute for an architect's or engineer's plan and do not reflect the unique requirements of local building codes, laws, statutes, ordinances, rules and regulations (Legal Requirements) that may be applicable for a particular installation.

Armstrong does not warrant, and assumes no liability for the accuracy or completeness of the drawings for a particular installation or their fitness for a particular purpose. The user is advised to consult with a duly licensed architect or engineer in the particular locale of the installation to assure compliance with all Legal Requirements.

Armstrong is not licensed to provide professional architecture or engineering design services.

PROJECT NAME: **AXIOM BUILDING PERIMETER MASTER SHEET
AXIOM PERIMETER AXP3685A TO ACT**

DWG. NO. **A-A010-DD-089**

REV: . DATE: .

DATE: **1/30/25**

SCALE: **3"=1'-0"**

DESC.: .

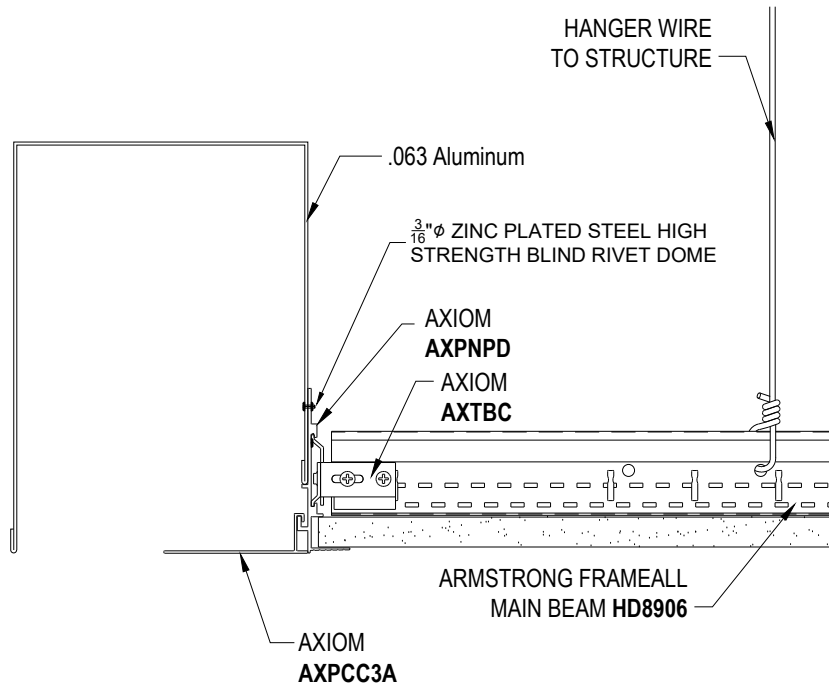
DRAWN BY: **DAG**

CHK BY: .



CEILING & WALL SOLUTIONS * ARMSTRONG WORLD INDUSTRIES, INC. * Lancaster, PA * Phone: 877-ARMSTRONG





DD-090
AXIOM PERIMETER AXP3685D TO DRYWALL

These drawings show typical conditions in which the Armstrong product depicted is installed. They are not a substitute for an architect's or engineer's plan and do not reflect the unique requirements of local building codes, laws, statutes, ordinances, rules and regulations (Legal Requirements) that may be applicable for a particular installation.

Armstrong does not warrant, and assumes no liability for the accuracy or completeness of the drawings for a particular installation or their fitness for a particular purpose. The user is advised to consult with a duly licensed architect or engineer in the particular locale of the installation to assure compliance with all Legal Requirements.

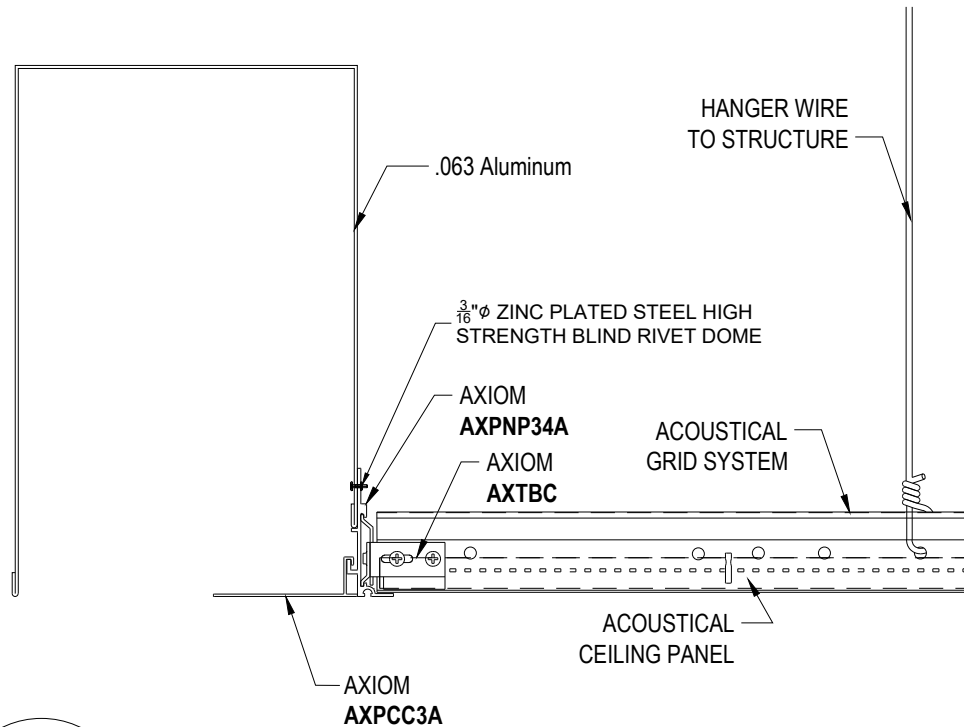
Armstrong is not licensed to provide professional architecture or engineering design services.

PROJECT NAME: AXIOM BUILDING PERIMETER MASTER SHEET AXIOM PERIMETER AXP3685D TO DRYWALL			
DWG. NO. A-A010-DD-090		REV: .	DATE: .
DATE: 1/30/25	SCALE: 3"=1'-0"	DESC.: .	
DRAWN BY: DAG	CHK BY: .		



CEILING & WALL SOLUTIONS * ARMSTRONG WORLD INDUSTRIES, INC. * Lancaster, PA * Phone: 877-ARMSTRONG





DD-091 AXIOM PERIMETER AXP3711A TO ACT

These drawings show typical conditions in which the Armstrong product depicted is installed. They are not a substitute for an architect's or engineer's plan and do not reflect the unique requirements of local building codes, laws, statutes, ordinances, rules and regulations (Legal Requirements) that may be applicable for a particular installation.

Armstrong does not warrant, and assumes no liability for the accuracy or completeness of the drawings for a particular installation or their fitness for a particular purpose. The user is advised to consult with a duly licensed architect or engineer in the particular locale of the installation to assure compliance with all Legal Requirements.

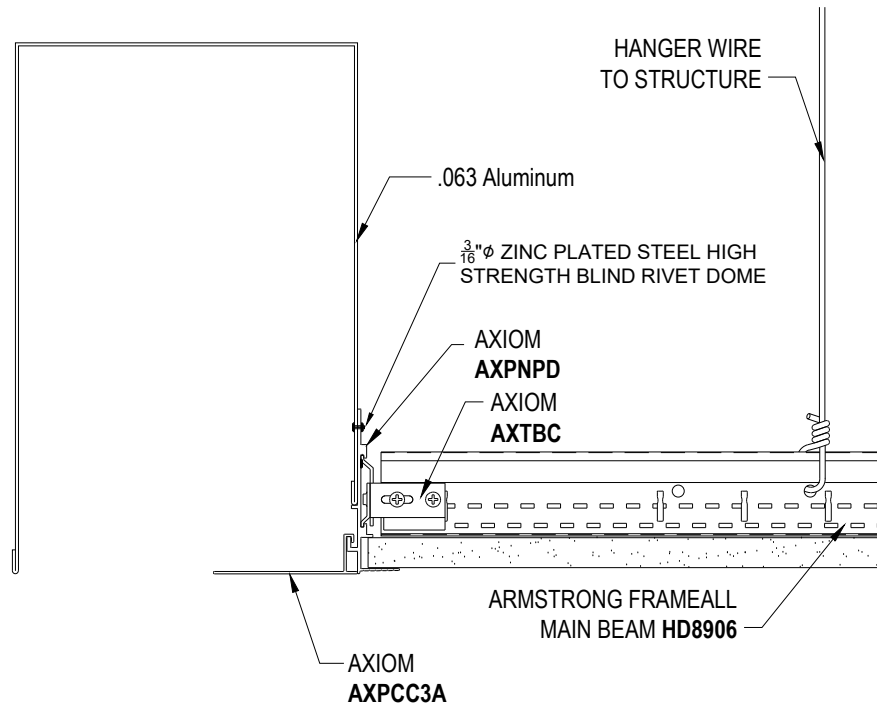
Armstrong is not licensed to provide professional architecture or engineering design services.

PROJECT NAME: AXIOM BUILDING PERIMETER MASTER SHEET AXIOM PERIMETER AXP3711A TO ACT			
DWG. NO. A-A010-DD-091		REV: .	DATE: .
DATE: 1/30/25	SCALE: 3"=1'-0"	DESC.: .	
DRAWN BY: DAG	CHK BY: .		



CEILING & WALL SOLUTIONS * ARMSTRONG WORLD INDUSTRIES, INC. * Lancaster, PA * Phone: 877-ARMSTRONG





DD-092
AXIOM PERIMETER AXP3711D TO DRYWALL

These drawings show typical conditions in which the Armstrong product depicted is installed. They are not a substitute for an architect's or engineer's plan and do not reflect the unique requirements of local building codes, laws, statutes, ordinances, rules and regulations (Legal Requirements) that may be applicable for a particular installation.

Armstrong does not warrant, and assumes no liability for the accuracy or completeness of the drawings for a particular installation or their fitness for a particular purpose. The user is advised to consult with a duly licensed architect or engineer in the particular locale of the installation to assure compliance with all Legal Requirements.

Armstrong is not licensed to provide professional architecture or engineering design services.

**PROJECT NAME: AXIOM BUILDING PERIMETER MASTER SHEET
AXIOM PERIMETER AXP3711D TO DRYWALL**

DWG. NO. **A-A010-DD-092**

REV: . DATE: .

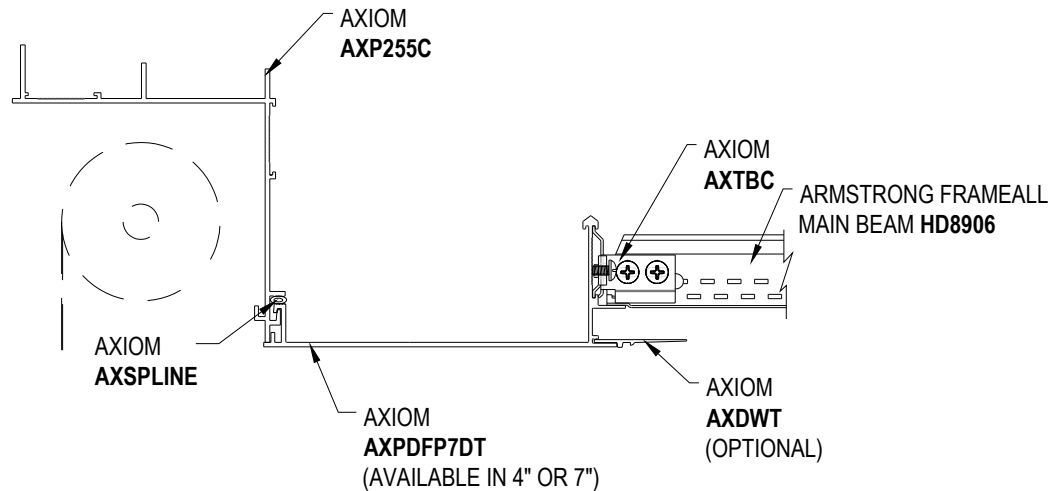
DATE: **1/30/25**

SCALE: **3"=1'-0"**

DESC.: .

DRAWN BY: **DAG**

CHK BY: .



DD-093 **AXIOM 2 SIDED POCKET TO 7" FACE PLATE DRYWALL SUSPENSION**

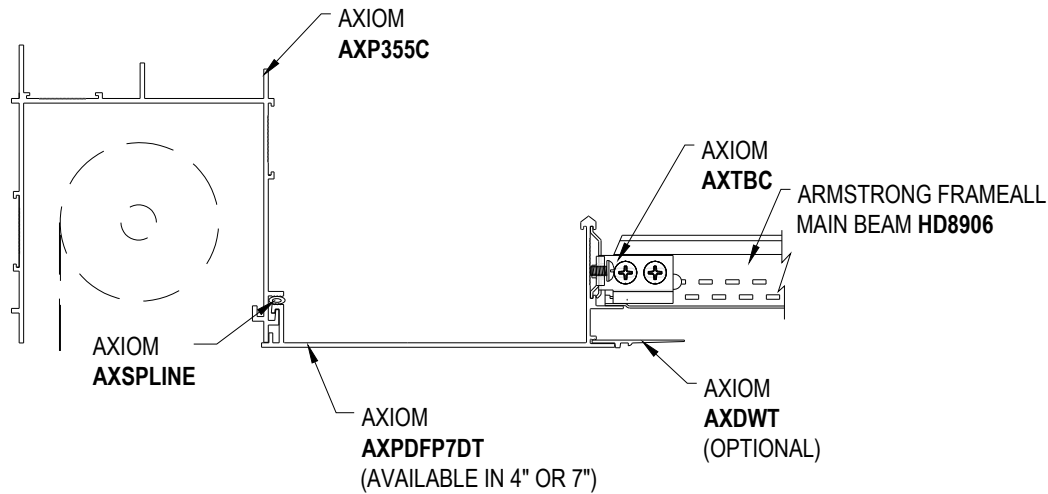
These drawings show typical conditions in which the Armstrong product depicted is installed. They are not a substitute for an architect's or engineer's plan and do not reflect the unique requirements of local building codes, laws, statutes, ordinances, rules and regulations (Legal Requirements) that may be applicable for a particular installation.

Armstrong does not warrant, and assumes no liability for the accuracy or completeness of the drawings for a particular installation or their fitness for a particular purpose. The user is advised to consult with a duly licensed architect or engineer in the particular locale of the installation to assure compliance with all Legal Requirements.

Armstrong is not licensed to provide professional architecture or engineering design services.

PROJECT NAME: **AXIOM BUILDING PERIMETER MASTER SHEET**
AXIOM 2 SIDED POCKET TO 7" FACE PLATE DRYWALL SUSPENSION

DWG. NO. A-A010-DD-093		REV: .	DATE: .
DATE: 1/30/25	SCALE: 3"=1'-0"	DESC.: .	
DRAWN BY: DAG	CHK BY: .		



DD-094 **AXIOM 3 SIDED POCKET TO 7" FACE PLATE DRYWALL SUSPENSION**

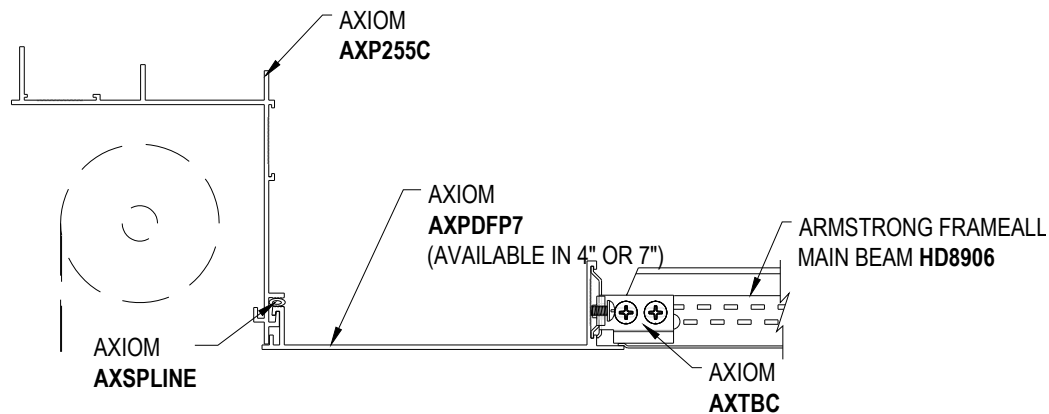
These drawings show typical conditions in which the Armstrong product depicted is installed. They are not a substitute for an architect's or engineer's plan and do not reflect the unique requirements of local building codes, laws, statutes, ordinances, rules and regulations (Legal Requirements) that may be applicable for a particular installation.

Armstrong does not warrant, and assumes no liability for the accuracy or completeness of the drawings for a particular installation or their fitness for a particular purpose. The user is advised to consult with a duly licensed architect or engineer in the particular locale of the installation to assure compliance with all Legal Requirements.

Armstrong is not licensed to provide professional architecture or engineering design services.

PROJECT NAME: **AXIOM BUILDING PERIMETER MASTER SHEET**
AXIOM 3 SIDED POCKET TO 7" FACE PLATE DRYWALL SUSPENSION

DWG. NO. A-A010-DD-094		REV: .	DATE: .
DATE: 1/30/25	SCALE: 3"=1'-0"	DESC.: .	
DRAWN BY: DAG	CHK BY: .		



DD-095 AXIOM 2 SIDED POCKET TO 7" FACE PLATE

These drawings show typical conditions in which the Armstrong product depicted is installed. They are not a substitute for an architect's or engineer's plan and do not reflect the unique requirements of local building codes, laws, statutes, ordinances, rules and regulations (Legal Requirements) that may be applicable for a particular installation.

Armstrong does not warrant, and assumes no liability for the accuracy or completeness of the drawings for a particular installation or their fitness for a particular purpose. The user is advised to consult with a duly licensed architect or engineer in the particular locale of the installation to assure compliance with all Legal Requirements.

Armstrong is not licensed to provide professional architecture or engineering design services.

PROJECT NAME: AXIOM BUILDING PERIMETER MASTER SHEET
AXIOM 2 SIDED POCKET TO 7" FACE PLATE

DWG. NO. A-A010-DD-095

REV: . DATE: .

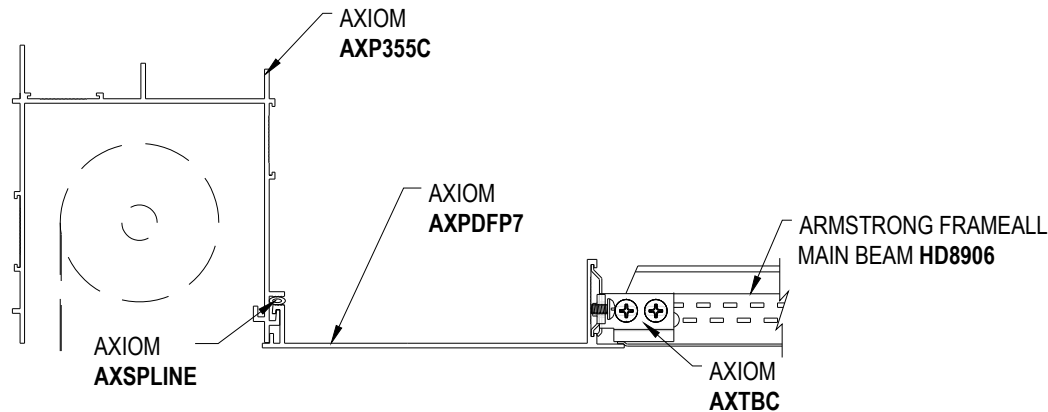
DATE: 1/30/25

SCALE: 3"=1'-0"

DESC.: .

DRAWN BY: DAG

CHK BY: .



DD-096 AXIOM 3 SIDED POCKET TO 7" FACE PLATE

These drawings show typical conditions in which the Armstrong product depicted is installed. They are not a substitute for an architect's or engineer's plan and do not reflect the unique requirements of local building codes, laws, statutes, ordinances, rules and regulations (Legal Requirements) that may be applicable for a particular installation.

Armstrong does not warrant, and assumes no liability for the accuracy or completeness of the drawings for a particular installation or their fitness for a particular purpose. The user is advised to consult with a duly licensed architect or engineer in the particular locale of the installation to assure compliance with all Legal Requirements.

Armstrong is not licensed to provide professional architecture or engineering design services.

PROJECT NAME: AXIOM BUILDING PERIMETER MASTER SHEET
AXIOM 3 SIDED POCKET TO 7" FACE PLATE

DWG. NO. A-A010-DD-096

REV: . DATE: .

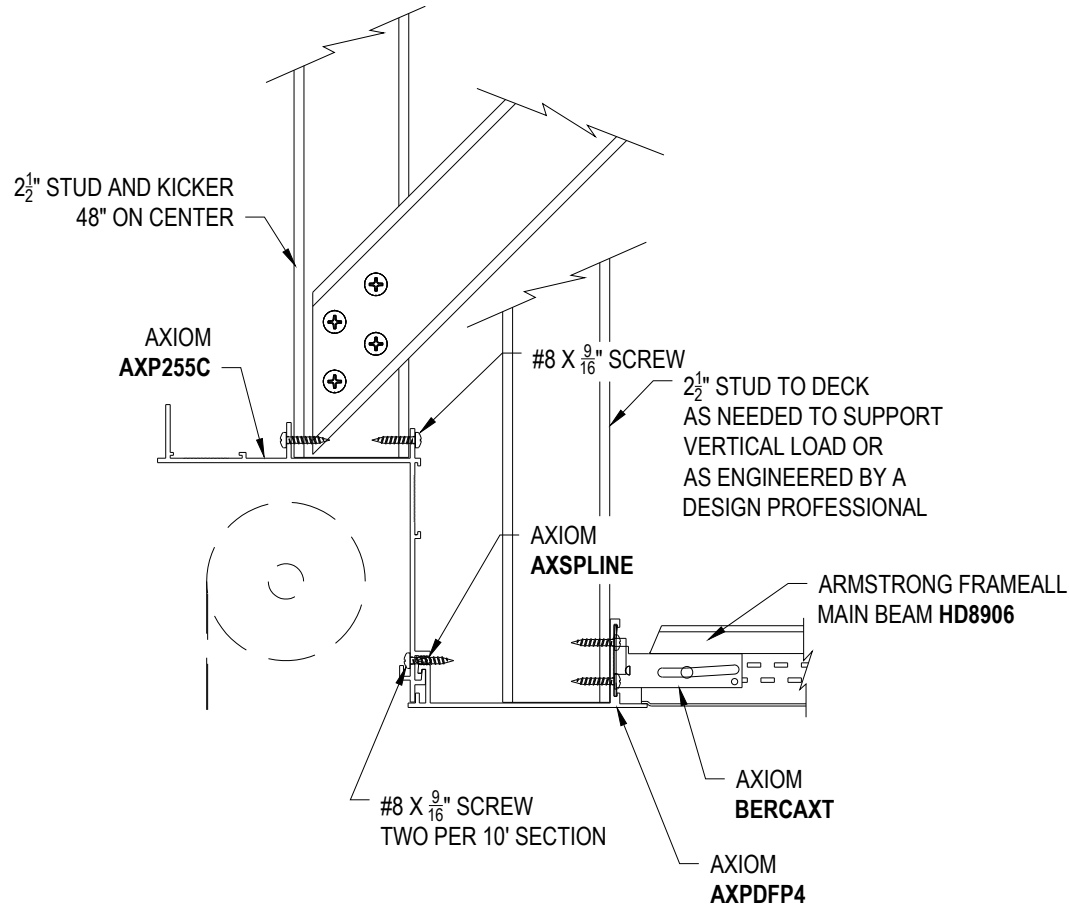
DATE: 1/30/25

SCALE: 3"=1'-0"

DESC.: .

DRAWN BY: DAG

CHK BY: .



DD-097 AXIOM 2 SIDED POCKET TO 4" FACE PLATE SEISMIC

These drawings show typical conditions in which the Armstrong product depicted is installed. They are not a substitute for an architect's or engineer's plan and do not reflect the unique requirements of local building codes, laws, statutes, ordinances, rules and regulations (Legal Requirements) that may be applicable for a particular installation.

Armstrong does not warrant, and assumes no liability for the accuracy or completeness of the drawings for a particular installation or their fitness for a particular purpose. The user is advised to consult with a duly licensed architect or engineer in the particular locale of the installation to assure compliance with all Legal Requirements.

Armstrong is not licensed to provide professional architecture or engineering design services.

PROJECT NAME: **AXIOM BUILDING PERIMETER MASTER SHEET
AXIOM 2 SIDED POCKET TO 4" FACE PLATE SEISMIC**

DWG. NO. **A-A010-DD-097**

REV: . DATE: .

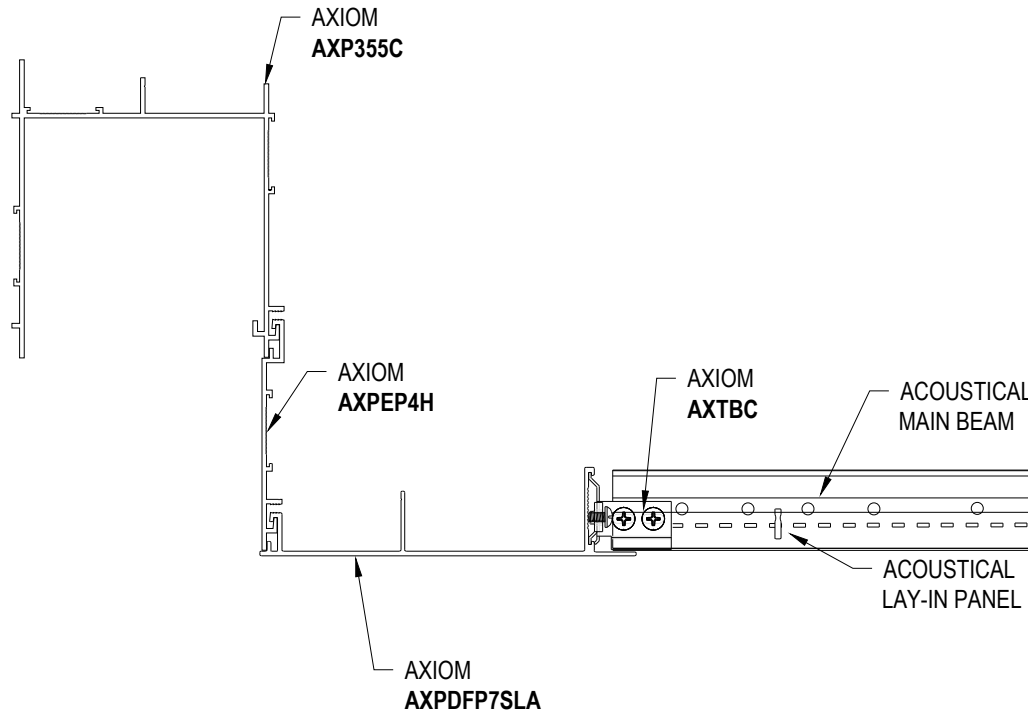
DATE: **1/30/25**

SCALE: **3"=1'-0"**

DESC.: .

DRAWN BY: **DAG**

CHK BY: .



DD-098

AXIOM PERIMETER POCKET WITH FACE PLATE AND EXTENSION APPLICATION

These drawings show typical conditions in which the Armstrong product depicted is installed. They are not a substitute for an architect's or engineer's plan and do not reflect the unique requirements of local building codes, laws, statutes, ordinances, rules and regulations (Legal Requirements) that may be applicable for a particular installation.

Armstrong does not warrant, and assumes no liability for the accuracy or completeness of the drawings for a particular installation or their fitness for a particular purpose. The user is advised to consult with a duly licensed architect or engineer in the particular locale of the installation to assure compliance with all Legal Requirements.

Armstrong is not licensed to provide professional architecture or engineering design services.

PROJECT NAME: AXIOM BUILDING PERIMETER MASTER SHEET
AXIOM PERIMETER POCKET WITH FACE PLATE AND EXTENSION APPLICATION

DWG. NO. A-A010-DD-098

REV: . DATE: .

DATE: 1/30/25

SCALE: 3"=1'-0"

DESC.: .

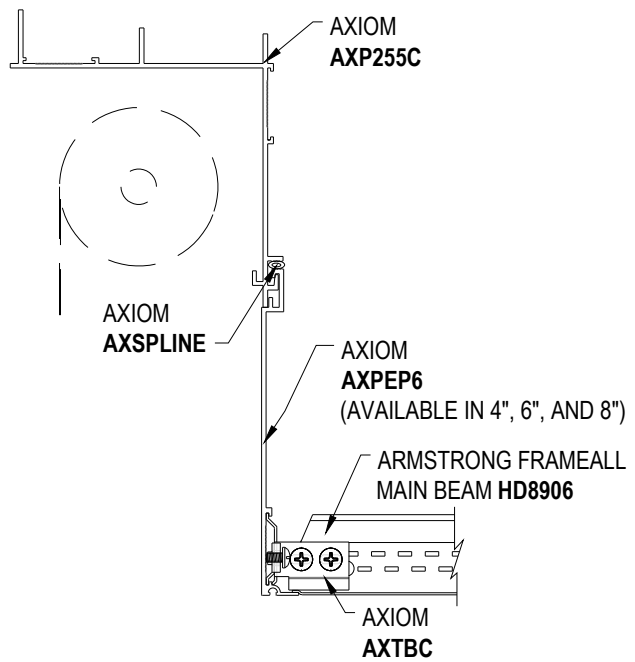
DRAWN BY: DAG

CHK BY: .

TechLine

CEILING & WALL SOLUTIONS * ARMSTRONG WORLD INDUSTRIES, INC. * Lancaster, PA * Phone: 877-ARMSTRONG

Armstrong
World Industries



DD-099 **AXIOM 2 SIDED POCKET TO 6" EXTENSION**

These drawings show typical conditions in which the Armstrong product depicted is installed. They are not a substitute for an architect's or engineer's plan and do not reflect the unique requirements of local building codes, laws, statutes, ordinances, rules and regulations (Legal Requirements) that may be applicable for a particular installation.

Armstrong does not warrant, and assumes no liability for the accuracy or completeness of the drawings for a particular installation or their fitness for a particular purpose. The user is advised to consult with a duly licensed architect or engineer in the particular locale of the installation to assure compliance with all Legal Requirements.

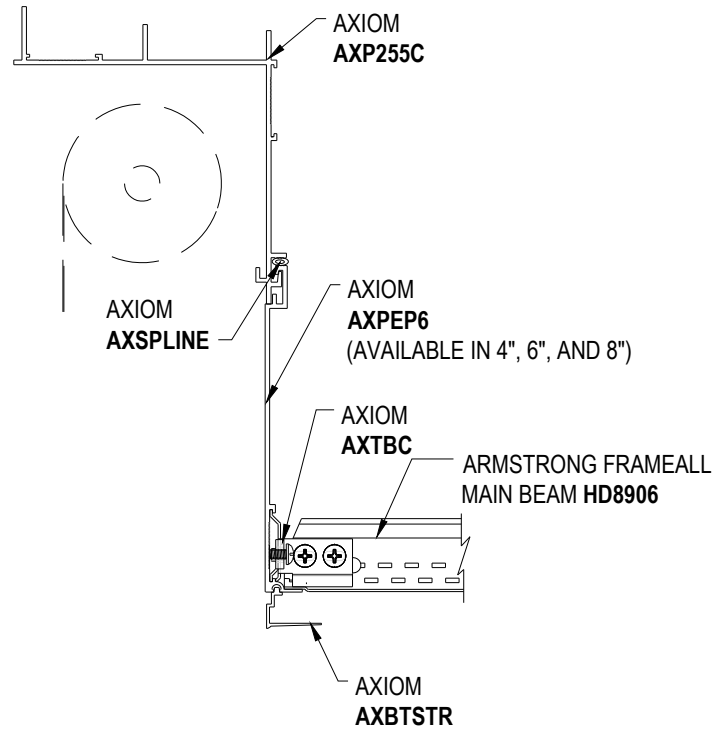
Armstrong is not licensed to provide professional architecture or engineering design services.

PROJECT NAME: AXIOM BUILDING PERIMETER MASTER SHEET AXIOM 2 SIDED POCKET TO 6" EXTENSION			
DWG. NO. A-A010-DD-099		REV: .	DATE: .
DATE: 1/30/25	SCALE: 3"=1'-0"	DESC.: .	
DRAWN BY: DAG	CHK BY: .		



CEILING & WALL SOLUTIONS * ARMSTRONG WORLD INDUSTRIES, INC. * Lancaster, PA * Phone: 877-ARMSTRONG





DD-100 **AXIOM 2 SIDED POCKET TO 6" EXTENSION DRYWALL**

These drawings show typical conditions in which the Armstrong product depicted is installed. They are not a substitute for an architect's or engineer's plan and do not reflect the unique requirements of local building codes, laws, statutes, ordinances, rules and regulations (Legal Requirements) that may be applicable for a particular installation.

Armstrong does not warrant, and assumes no liability for the accuracy or completeness of the drawings for a particular installation or their fitness for a particular purpose. The user is advised to consult with a duly licensed architect or engineer in the particular locale of the installation to assure compliance with all Legal Requirements.

Armstrong is not licensed to provide professional architecture or engineering design services.

PROJECT NAME: **AXIOM BUILDING PERIMETER MASTER SHEET
AXIOM 2 SIDED POCKET TO 6" EXTENSION DRYWALL**

DWG. NO. **A-A010-DD-100**

REV: . DATE: .

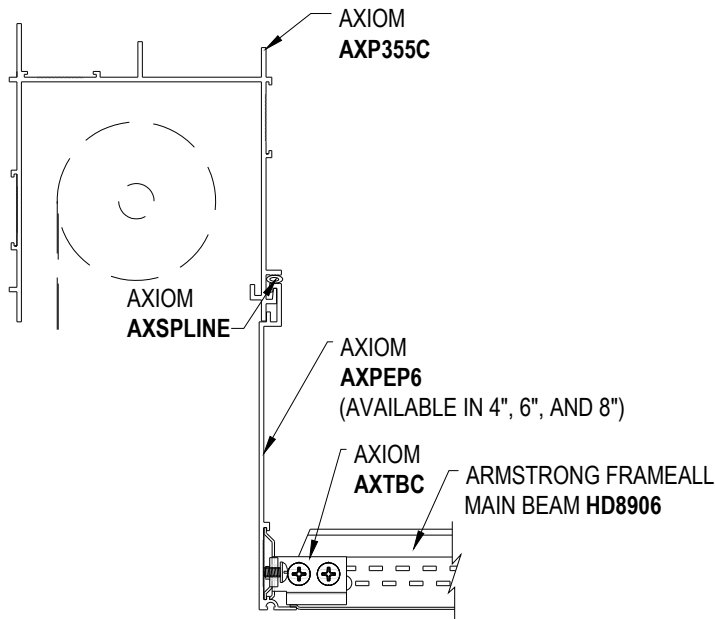
DATE: **1/30/25**

SCALE: **3"=1'-0"**

DESC.: .

DRAWN BY: **DAG**

CHK BY: .



DD-101 AXIOM 3 SIDED POCKET TO 6" EXTENSION

These drawings show typical conditions in which the Armstrong product depicted is installed. They are not a substitute for an architect's or engineer's plan and do not reflect the unique requirements of local building codes, laws, statutes, ordinances, rules and regulations (Legal Requirements) that may be applicable for a particular installation.

Armstrong does not warrant, and assumes no liability for the accuracy or completeness of the drawings for a particular installation or their fitness for a particular purpose. The user is advised to consult with a duly licensed architect or engineer in the particular locale of the installation to assure compliance with all Legal Requirements.

Armstrong is not licensed to provide professional architecture or engineering design services.

PROJECT NAME: **AXIOM BUILDING PERIMETER MASTER SHEET
AXIOM 3 SIDED POCKET TO 6" EXTENSION**

DWG. NO. **A-A010-DD-101**

REV: . DATE: .

DATE: **1/30/25**

SCALE: **3"=1'-0"**

DESC.: .

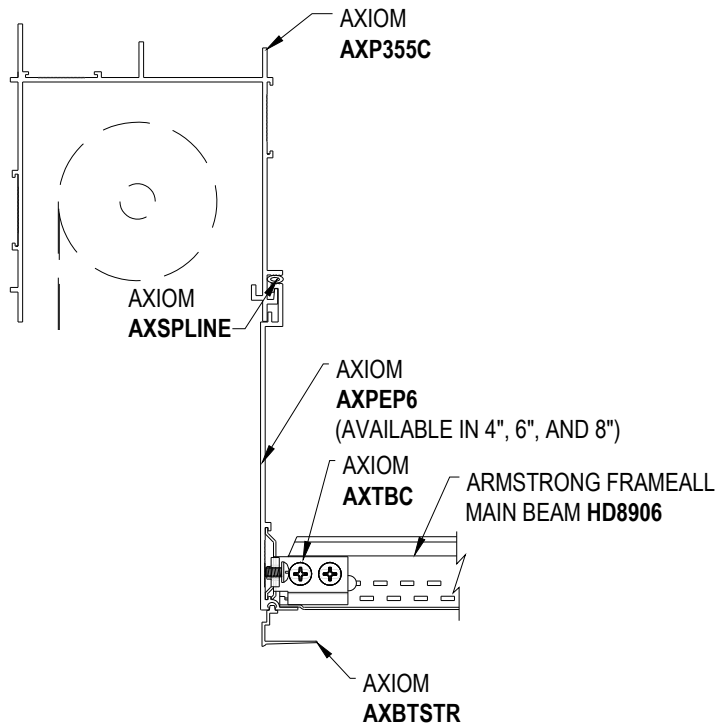
DRAWN BY: **DAG**

CHK BY: .



CEILING & WALL SOLUTIONS * ARMSTRONG WORLD INDUSTRIES, INC. * Lancaster, PA * Phone: 877-ARMSTRONG





DD-102 AXIOM 3 SIDED POCKET TO 6" EXTENSION
DRYWALL

These drawings show typical conditions in which the Armstrong product depicted is installed. They are not a substitute for an architect's or engineer's plan and do not reflect the unique requirements of local building codes, laws, statutes, ordinances, rules and regulations (Legal Requirements) that may be applicable for a particular installation.

Armstrong does not warrant, and assumes no liability for the accuracy or completeness of the drawings for a particular installation or their fitness for a particular purpose. The user is advised to consult with a duly licensed architect or engineer in the particular locale of the installation to assure compliance with all Legal Requirements.

Armstrong is not licensed to provide professional architecture or engineering design services.

PROJECT NAME: AXIOM BUILDING PERIMETER MASTER SHEET
AXIOM 3 SIDED POCKET TO 6" EXTENSION DRYWALL

DWG. NO. A-A010-DD-102

REV: . DATE: .

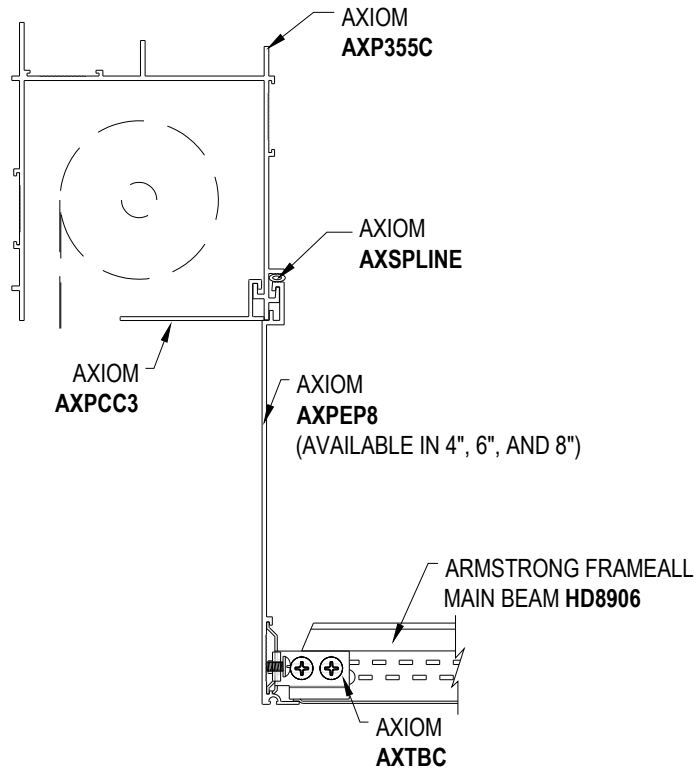
DATE: 1/30/25

SCALE: 3"=1'-0"

DESC.: .

DRAWN BY: DAG

CHK BY: .



DD-103

AXIOM 3 SIDED POCKET TO 8" EXTENSION WITH CLOSURE CLIP

These drawings show typical conditions in which the Armstrong product depicted is installed. They are not a substitute for an architect's or engineer's plan and do not reflect the unique requirements of local building codes, laws, statutes, ordinances, rules and regulations (Legal Requirements) that may be applicable for a particular installation.

Armstrong does not warrant, and assumes no liability for the accuracy or completeness of the drawings for a particular installation or their fitness for a particular purpose. The user is advised to consult with a duly licensed architect or engineer in the particular locale of the installation to assure compliance with all Legal Requirements.

Armstrong is not licensed to provide professional architecture or engineering design services.

PROJECT NAME: AXIOM BUILDING PERIMETER MASTER SHEET
AXIOM 3 SIDED POCKET TO 8" EXTENSION WITH CLOSURE CLIP

DWG. NO. A-A010-DD-103

REV: . DATE: .

DATE: 1/30/25

SCALE: 3"=1'-0"

DESC.: .

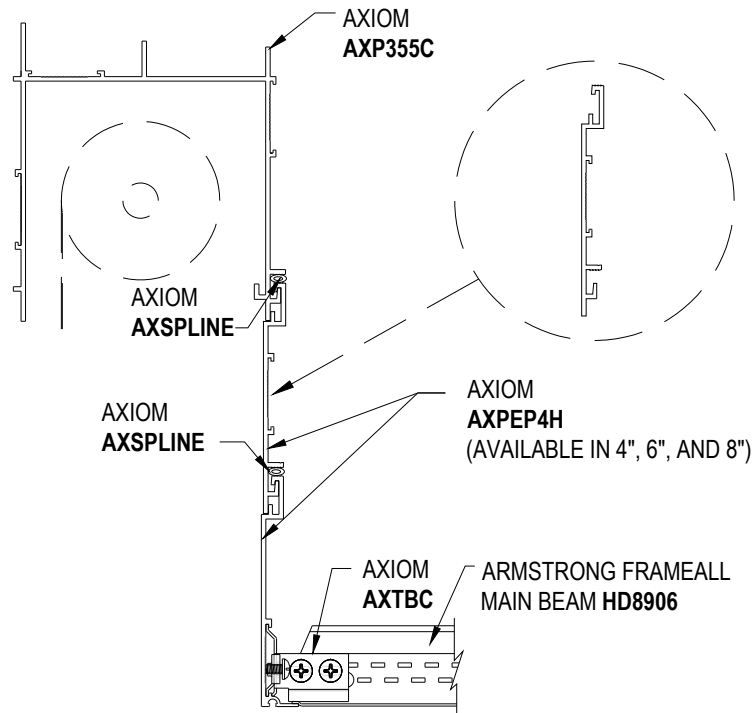
DRAWN BY: DAG

CHK BY: .

TechLine

CEILING & WALL SOLUTIONS * ARMSTRONG WORLD INDUSTRIES, INC. * Lancaster, PA * Phone: 877-ARMSTRONG

Armstrong
World Industries



DD-104 AXIOM 3 SIDED POCKET TO 4" EXTENSION TO 4" EXTENSION

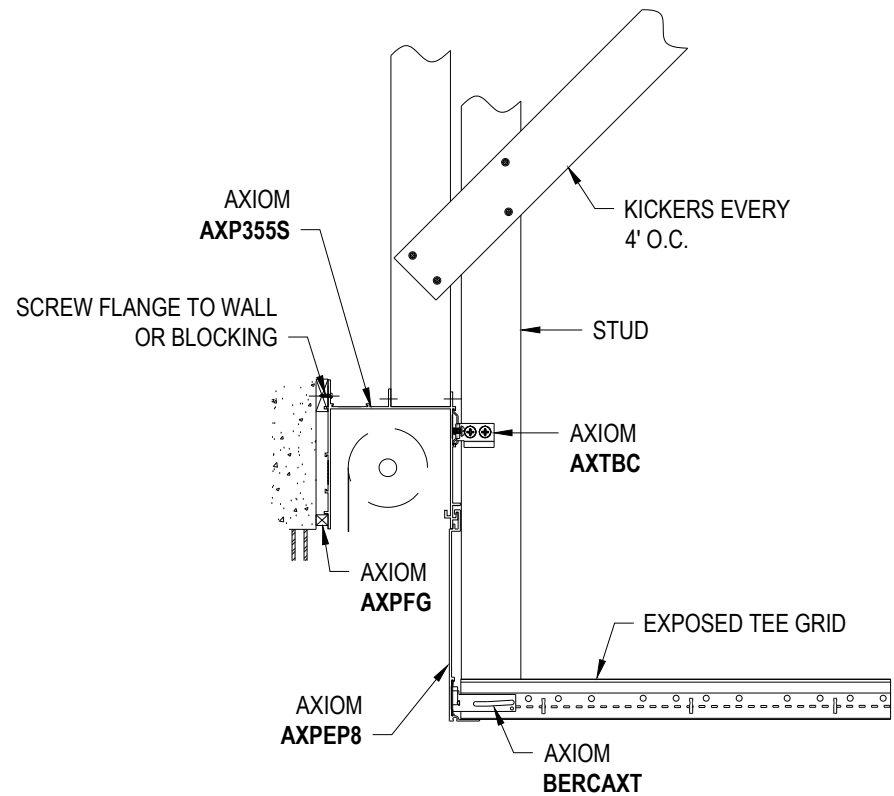
These drawings show typical conditions in which the Armstrong product depicted is installed. They are not a substitute for an architect's or engineer's plan and do not reflect the unique requirements of local building codes, laws, statutes, ordinances, rules and regulations (Legal Requirements) that may be applicable for a particular installation.

Armstrong does not warrant, and assumes no liability for the accuracy or completeness of the drawings for a particular installation or their fitness for a particular purpose. The user is advised to consult with a duly licensed architect or engineer in the particular locale of the installation to assure compliance with all Legal Requirements.

Armstrong is not licensed to provide professional architecture or engineering design services.

PROJECT NAME: AXIOM BUILDING PERIMETER MASTER SHEET
AXIOM 3 SIDED POCKET TO 4" EXTENSION TO 4" EXTENSION

DWG. NO. A-A010-DD-104		REV: .	DATE: .
DATE: 1/30/25	SCALE: 3"=1'-0"	DESC.: .	
DRAWN BY: DAG	CHK BY: .		



DD-105 **AXIOM 3 SIDED POCKET EXTENSION WITH SEISMIC BRACING**

These drawings show typical conditions in which the Armstrong product depicted is installed. They are not a substitute for an architect's or engineer's plan and do not reflect the unique requirements of local building codes, laws, statutes, ordinances, rules and regulations (Legal Requirements) that may be applicable for a particular installation.

Armstrong does not warrant, and assumes no liability for the accuracy or completeness of the drawings for a particular installation or their fitness for a particular purpose. The user is advised to consult with a duly licensed architect or engineer in the particular locale of the installation to assure compliance with all Legal Requirements.

Armstrong is not licensed to provide professional architecture or engineering design services.

PROJECT NAME: **AXIOM BUILDING PERIMETER MASTER SHEET**
AXIOM 3 SIDED POCKET EXTENSION WITH SEISMIC BRACING

DWG. NO. **A-A010-DD-105**

REV: . DATE: .

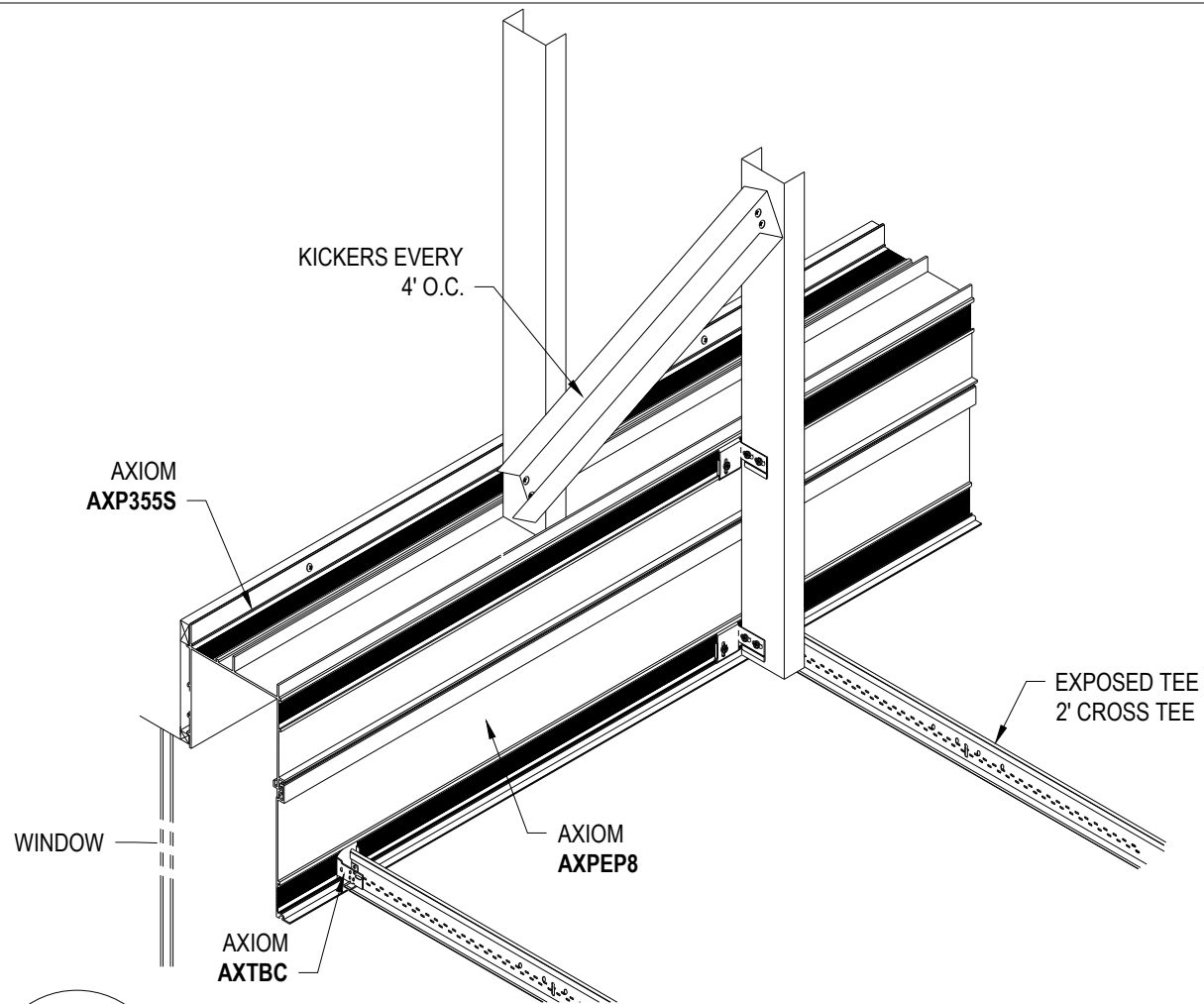
DATE: **1/30/25**

SCALE: **1-1/2"=1'-0"**

DESC.: .

DRAWN BY: **DAG**

CHK BY: .



DD-106 **AXIOM 3 SIDED POCKET EXTENSION WITH SEISMIC BRACING ISO**

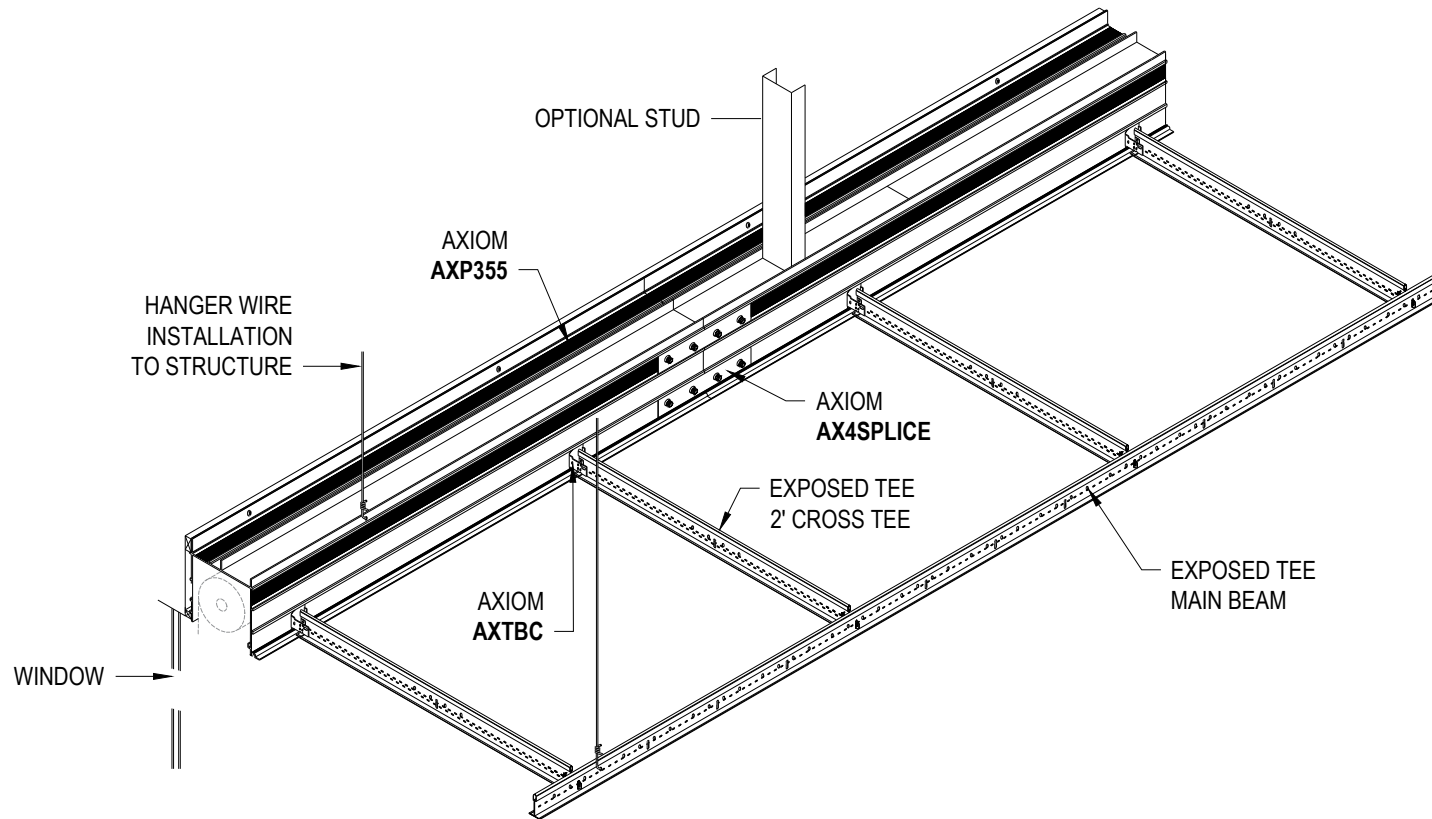
These drawings show typical conditions in which the Armstrong product depicted is installed. They are not a substitute for an architect's or engineer's plan and do not reflect the unique requirements of local building codes, laws, statutes, ordinances, rules and regulations (Legal Requirements) that may be applicable for a particular installation.

Armstrong does not warrant, and assumes no liability for the accuracy or completeness of the drawings for a particular installation or their fitness for a particular purpose. The user is advised to consult with a duly licensed architect or engineer in the particular locale of the installation to assure compliance with all Legal Requirements.

Armstrong is not licensed to provide professional architecture or engineering design services.

PROJECT NAME: AXIOM BUILDING PERIMETER MASTER SHEET AXIOM 3 SIDED POCKET EXTENSION WITH SEISMIC BRACING ISO			
DWG. NO. A-A010-DD-106		REV: .	DATE: .
DATE: 1/30/25	SCALE: 1-1/2"=1'-0"	DESC.: .	
DRAWN BY: DAG	CHK BY: .		





DD-107 AXIOM 3 SIDED PERIMETER POCKET APPLICATION

These drawings show typical conditions in which the Armstrong product depicted is installed. They are not a substitute for an architect's or engineer's plan and do not reflect the unique requirements of local building codes, laws, statutes, ordinances, rules and regulations (Legal Requirements) that may be applicable for a particular installation.

Armstrong does not warrant, and assumes no liability for the accuracy or completeness of the drawings for a particular installation or their fitness for a particular purpose. The user is advised to consult with a duly licensed architect or engineer in the particular locale of the installation to assure compliance with all Legal Requirements.

Armstrong is not licensed to provide professional architecture or engineering design services.

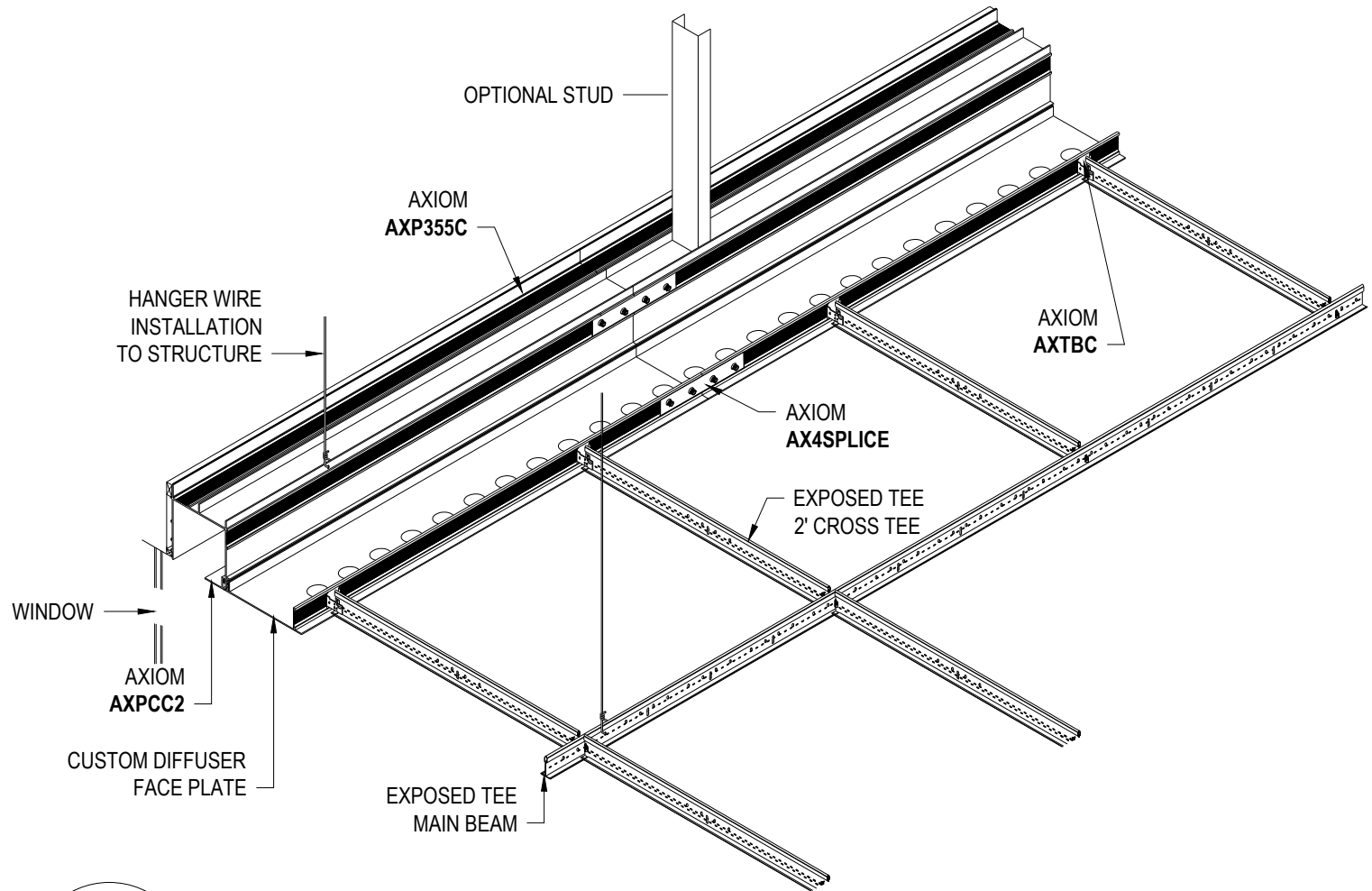
PROJECT NAME: AXIOM BUILDING PERIMETER MASTER SHEET
 AXIOM 3 SIDED PERIMETER POCKET APPLICATION

DWG. NO. A-A010-DD-107		REV: .	DATE: .
DATE: 1/30/25	SCALE: 1"=1'-0"	DESC.: .	
DRAWN BY: DAG	CHK BY: .		



CEILING & WALL SOLUTIONS * ARMSTRONG WORLD INDUSTRIES, INC. * Lancaster, PA * Phone: 877-ARMSTRONG





DD-108

AXIOM 3 SIDED PERIMETER POCKET CUSTOM FACE PLATE APPLICATION

These drawings show typical conditions in which the Armstrong product depicted is installed. They are not a substitute for an architect's or engineer's plan and do not reflect the unique requirements of local building codes, laws, statutes, ordinances, rules and regulations (Legal Requirements) that may be applicable for a particular installation.

Armstrong does not warrant, and assumes no liability for the accuracy or completeness of the drawings for a particular installation or their fitness for a particular purpose. The user is advised to consult with a duly licensed architect or engineer in the particular locale of the installation to assure compliance with all Legal Requirements.

Armstrong is not licensed to provide professional architecture or engineering design services.

PROJECT NAME: AXIOM BUILDING PERIMETER MASTER SHEET
AXIOM 3 SIDED PERIMETER POCKET CUSTOM FACE PLATE APPLICATION

DWG. NO. A-A010-DD-108

REV: . DATE: .

DATE: 1/30/25

SCALE: 1"=1'-0"

DESC.: .

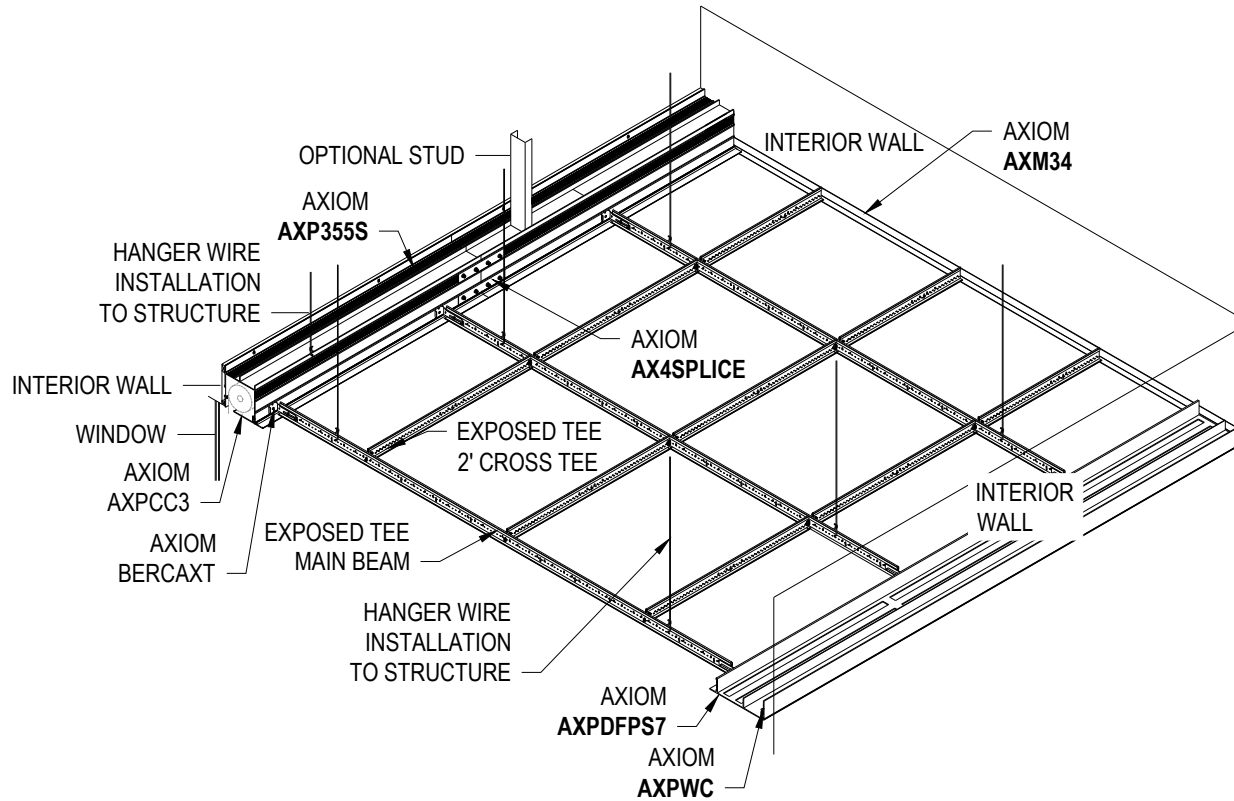
DRAWN BY: DAG

CHK BY: .

TechLine

CEILING & WALL SOLUTIONS * ARMSTRONG WORLD INDUSTRIES, INC. * Lancaster, PA * Phone: 877-ARMSTRONG

Armstrong
World Industries



DD-109
AXIOM 3 SIDED PERIMETER POCKET SYSTEM APPLICATION

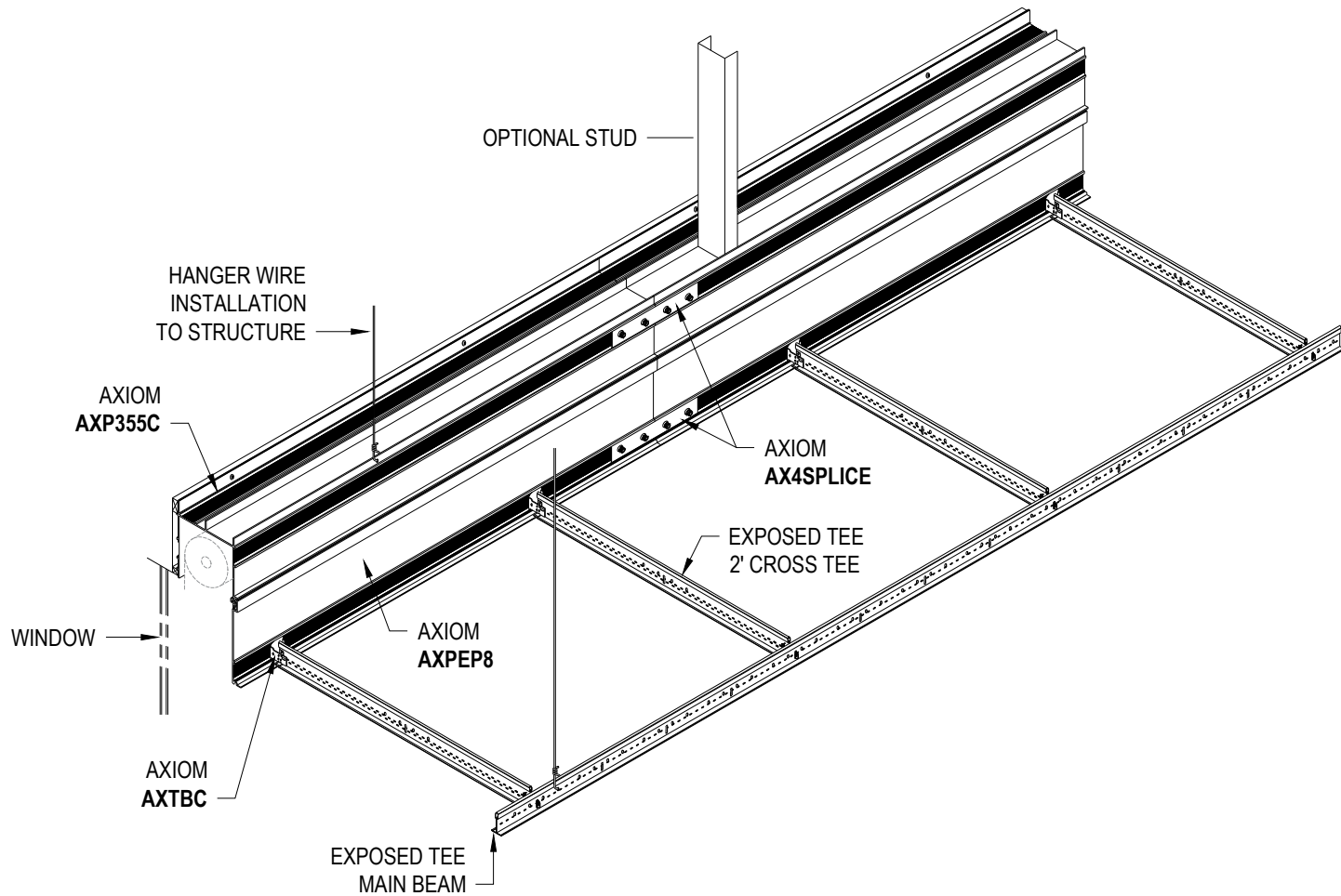
These drawings show typical conditions in which the Armstrong product depicted is installed. They are not a substitute for an architect's or engineer's plan and do not reflect the unique requirements of local building codes, laws, statutes, ordinances, rules and regulations (Legal Requirements) that may be applicable for a particular installation.

Armstrong does not warrant, and assumes no liability for the accuracy or completeness of the drawings for a particular installation or their fitness for a particular purpose. The user is advised to consult with a duly licensed architect or engineer in the particular locale of the installation to assure compliance with all Legal Requirements.

Armstrong is not licensed to provide professional architecture or engineering design services.

PROJECT NAME: AXIOM BUILDING PERIMETER MASTER SHEET			
AXIOM 3 SIDED PERIMETER POCKET SYSTEM APPLICATION			
DWG. NO. A-A010-DD-109	REV: .	DATE: .	
DATE: 1/30/25	SCALE: 1/2"=1'-0"	DESC.: .	
DRAWN BY: DAG	CHK BY: .		





DD-110 **AXIOM 3 SIDED PERIMETER POCKET EXTENSION APPLICATION**

These drawings show typical conditions in which the Armstrong product depicted is installed. They are not a substitute for an architect's or engineer's plan and do not reflect the unique requirements of local building codes, laws, statutes, ordinances, rules and regulations (Legal Requirements) that may be applicable for a particular installation.

Armstrong does not warrant, and assumes no liability for the accuracy or completeness of the drawings for a particular installation or their fitness for a particular purpose. The user is advised to consult with a duly licensed architect or engineer in the particular locale of the installation to assure compliance with all Legal Requirements.

Armstrong is not licensed to provide professional architecture or engineering design services.

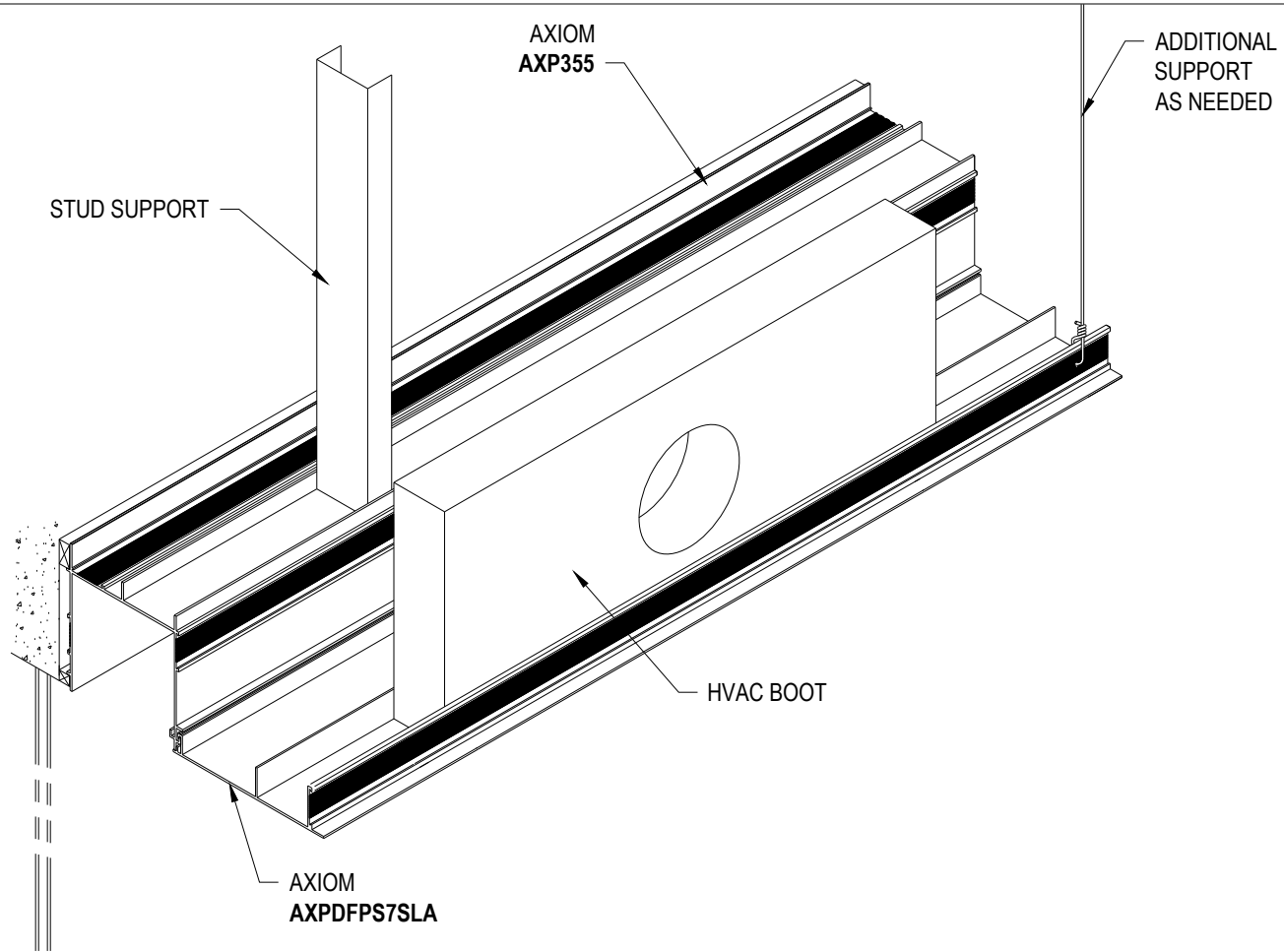
PROJECT NAME: **AXIOM BUILDING PERIMETER MASTER SHEET**
AXIOM 3 SIDED PERIMETER POCKET EXTENSION APPLICATION

DWG. NO. A-A010-DD-110		REV: .	DATE: .
DATE: 1/30/25	SCALE: 1"=1'-0"	DESC.: .	
DRAWN BY: DAG	CHK BY: .		



CEILING & WALL SOLUTIONS * ARMSTRONG WORLD INDUSTRIES, INC. * Lancaster, PA * Phone: 877-ARMSTRONG





DD-111 AXIOM PERIMETER POCKET FREE FLOATING WITH HVAC BOOT

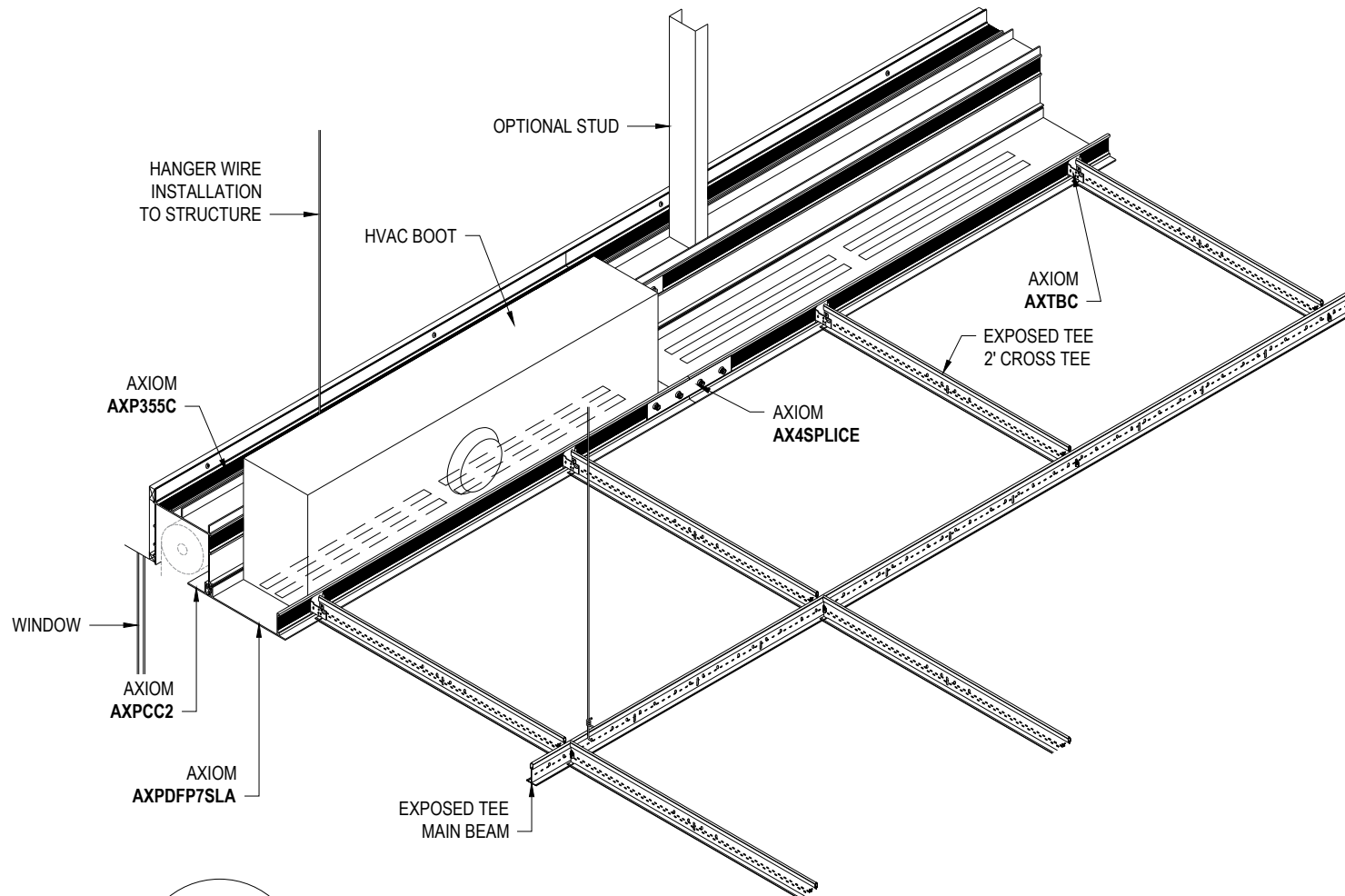
These drawings show typical conditions in which the Armstrong product depicted is installed. They are not a substitute for an architect's or engineer's plan and do not reflect the unique requirements of local building codes, laws, statutes, ordinances, rules and regulations (Legal Requirements) that may be applicable for a particular installation.

Armstrong does not warrant, and assumes no liability for the accuracy or completeness of the drawings for a particular installation or their fitness for a particular purpose. The user is advised to consult with a duly licensed architect or engineer in the particular locale of the installation to assure compliance with all Legal Requirements.

Armstrong is not licensed to provide professional architecture or engineering design services.

PROJECT NAME: AXIOM BUILDING PERIMETER MASTER SHEET
 AXIOM PERIMETER POCKET FREE FLOATING WITH HVAC BOOT

DWG. NO. A-A010-DD-111		REV: .	DATE: .
DATE: 1/30/25	SCALE: 1"=1'-0"	DESC.: .	
DRAWN BY: DAG	CHK BY: .		



DD-112

AXIOM 3 SIDED PERIMETER POCKET FACE PLATE WITH HVAC BOOT APPLICATION

These drawings show typical conditions in which the Armstrong product depicted is installed. They are not a substitute for an architect's or engineer's plan and do not reflect the unique requirements of local building codes, laws, statutes, ordinances, rules and regulations (Legal Requirements) that may be applicable for a particular installation.

Armstrong does not warrant, and assumes no liability for the accuracy or completeness of the drawings for a particular installation or their fitness for a particular purpose. The user is advised to consult with a duly licensed architect or engineer in the particular locale of the installation to assure compliance with all Legal Requirements.

Armstrong is not licensed to provide professional architecture or engineering design services.

PROJECT NAME: AXIOM BUILDING PERIMETER MASTER SHEET
AXIOM PERIMETER POCKET FREE FLOATING WITH HVAC BOOT APPLICATION

DWG. NO. A-A010-DD-112

REV: . DATE: .

DATE: 1/30/25

SCALE: 1"=1'-0"

DESC.: .

DRAWN BY: DAG

CHK BY: .