

AXIOM CLASSIC MASTER SHEET

AXIOM CLASSIC MASTER SHEET

SHEET #	DETAIL #	DRAWING	SHEET #	DETAIL #	DRAWING
2	A-A005-MS-01	COMPONENTS	23	A-A005-DD-20	AXIOM SOFFIT DRYWALL TO ACOUSTICAL
3	A-A005-MS-02	INSTALLATION	24	A-A005-DD-21	AXIOM CLASSIC INSTALLATION WITH INTERLUDE
4	A-A005-DD-01	AXIOM CLASSIC TRIM	25	A-A005-DD-22	AXIOM CLASSIC WITH DRYWALL UPPER CEILING
5	A-A005-DD-02	AXTBC	26	A-A005-DD-23	ACOUSTICAL WITH 12" AXIOM CLASSIC
6	A-A005-DD-03	AXTBC CONNECTION	27	A-A005-DD-24	STACKED AXIOM ABOVE 18"
7	A-A005-DD-04	CUTTING FOR AXTBC	28	A-A005-DD-25	AXIOM STACKED 12" CLASSIC WITH 12" CLASSIC
8	A-A005-DD-05	AXIOM SPLICES			
9	A-A005-DD-06	RADIUS CHANNEL CONNECTION			
10	A-A005-DD-07	AXIOM TRIM SPLICED			
11	A-A005-DD-08	CURVED AXIOM CONNECTION			
12	A-A005-DD-09	AXIOM OUTSIDE CORNER POST			
13	A-A005-DD-10	AXIOM INSIDE CORNER POST			
14	A-A005-DD-11	AXIOM VECTOR INSIDE CORNER POST			
15	A-A005-DD-12	AX2HGC			
16	A-A005-DD-13	AX-SPT-HDC			
17	A-A005-DD-14	AXIOM ALIGNMENT CLIP			
18	A-A005-DD-15	PRELUDE MAIN WITH AXIOM			
19	A-A005-DD-16	PRELUDE CROSS TEE WITH AXIOM			
20	A-A005-DD-17	AXIOM CLASSIC WITH BOTTOM TRIM			
21	A-A005-DD-18	AXIOM DRYWALL PERIMETER SOFFIT			
22	A-A005-DD-19	AXIOM SOFFIT DRYWALL TO DRYWALL			

These drawings show typical conditions in which the Armstrong product depicted is installed. They are not a substitute for an architect's or engineer's plan and do not reflect the unique requirements of local building codes, laws, statutes, ordinances, rules and regulations (Legal Requirements) that may be applicable for a particular installation.

Armstrong does not warrant, and assumes no liability for the accuracy or completeness of the drawings for a particular installation or their fitness for a particular purpose. The user is advised to consult with a duly licensed architect or engineer in the particular locale of the installation to assure compliance with all Legal Requirements.

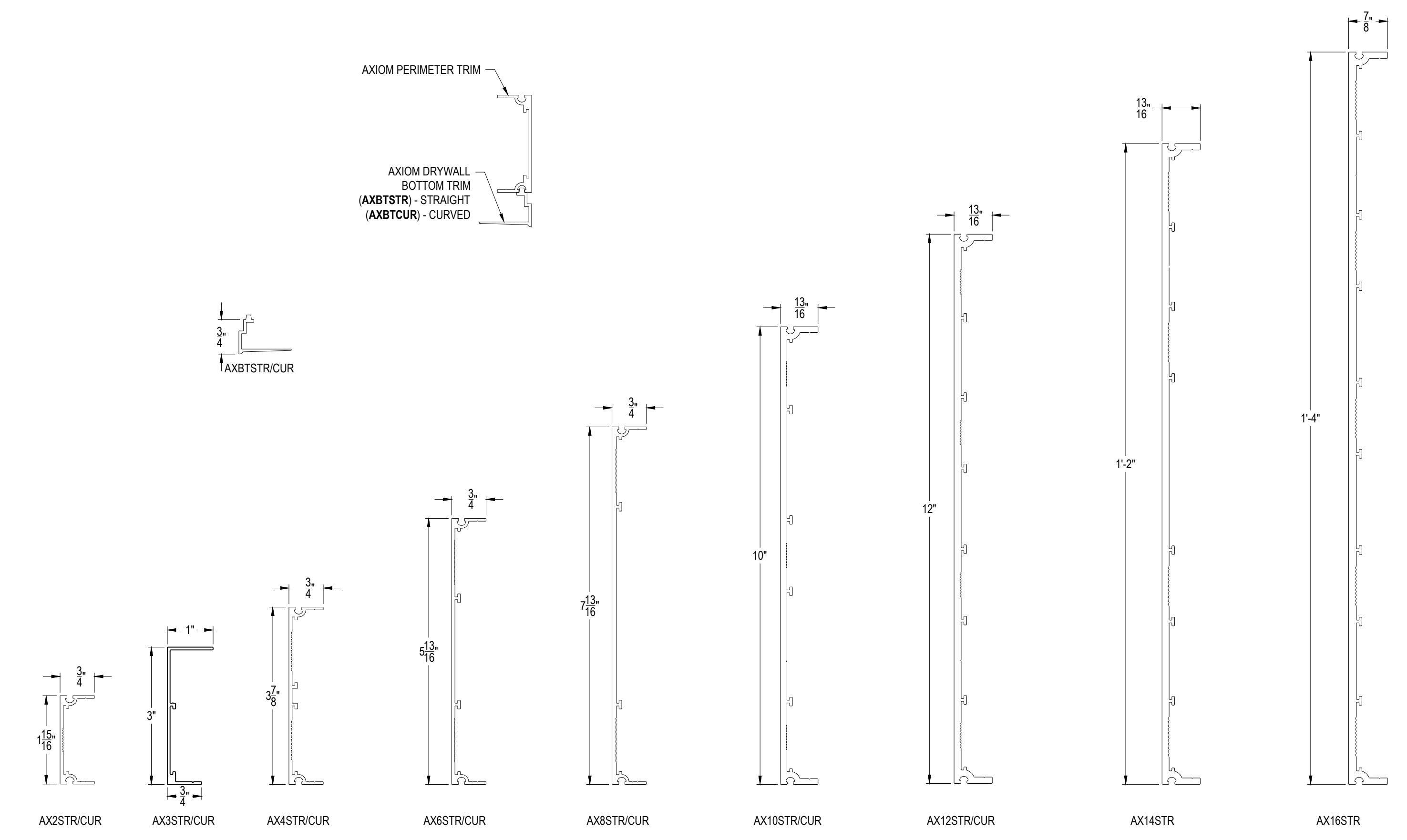
Armstrong is not licensed to provide professional architecture or engineering design services.

PROJECT NAME: AXIOM CLASSIC MASTER SHEET	
DWG. NO. A-A005-MS-00	REV: . DATE: .
DATE: 1/7/25	SCALE: . DESC.: .
DRAWN BY: DAG	CHK BY: .

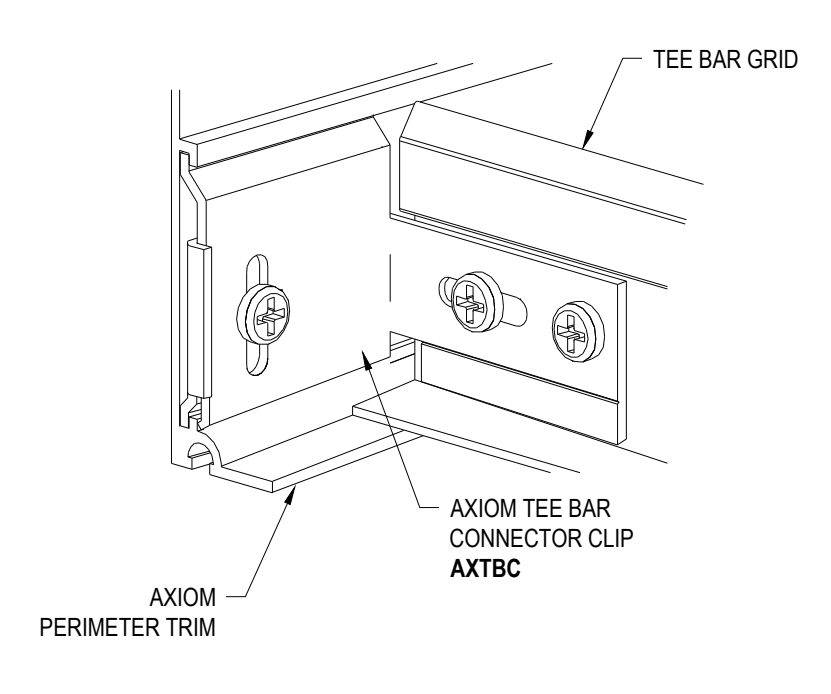


CEILING & WALL SOLUTIONS * ARMSTRONG WORLD INDUSTRIES, INC. * Lancaster, PA * Phone: 877-ARMSTRONG

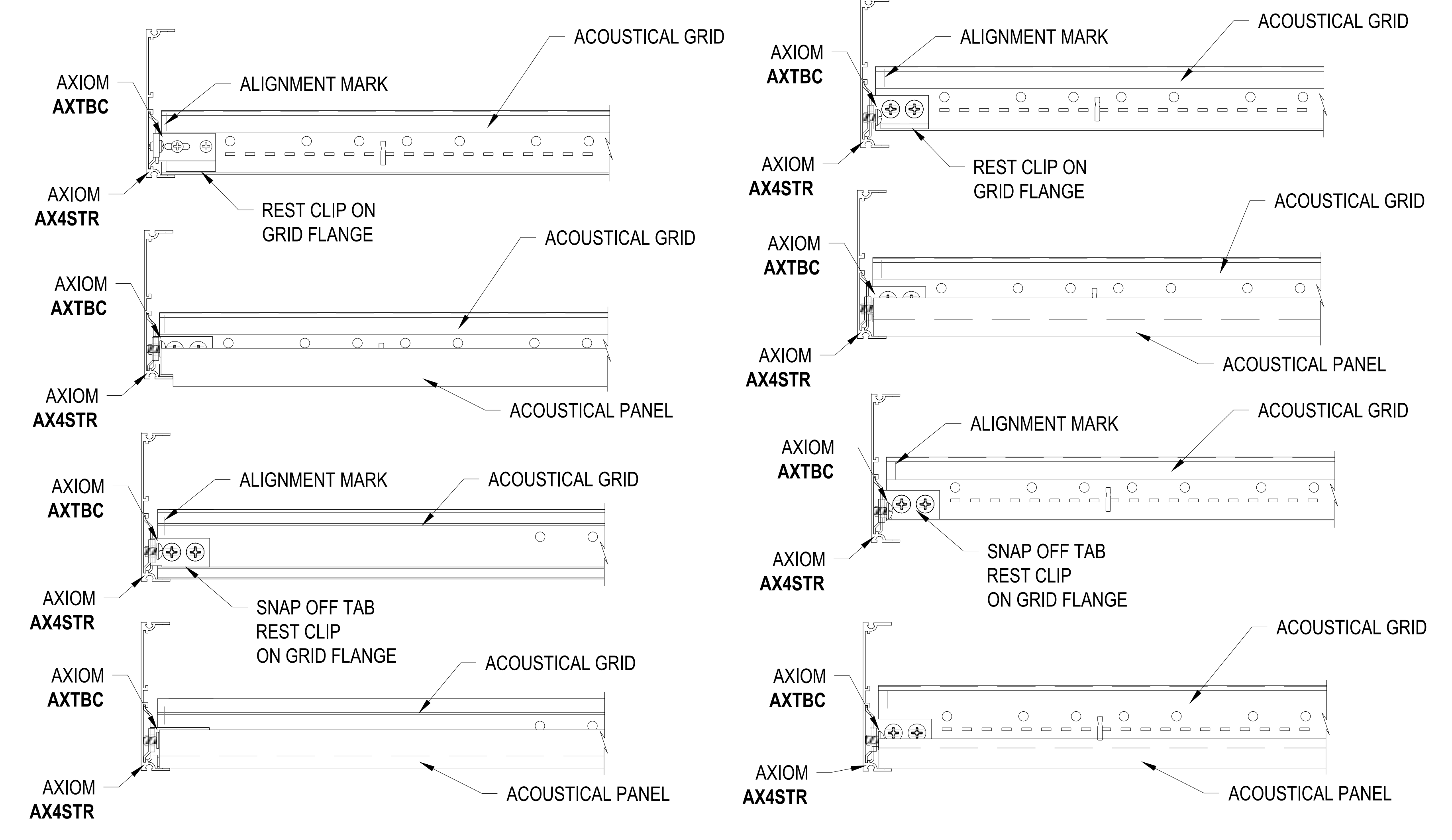




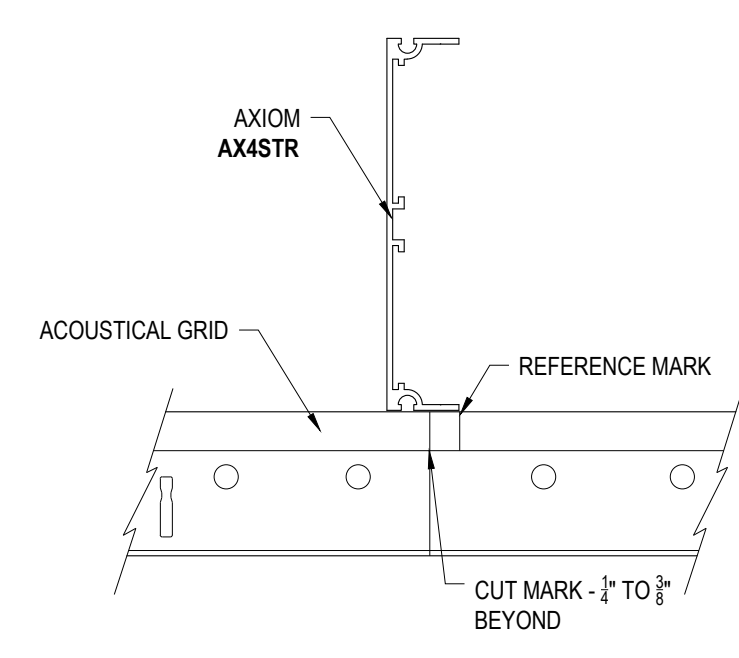
DD-01 AXIOM CLASSIC TRIM



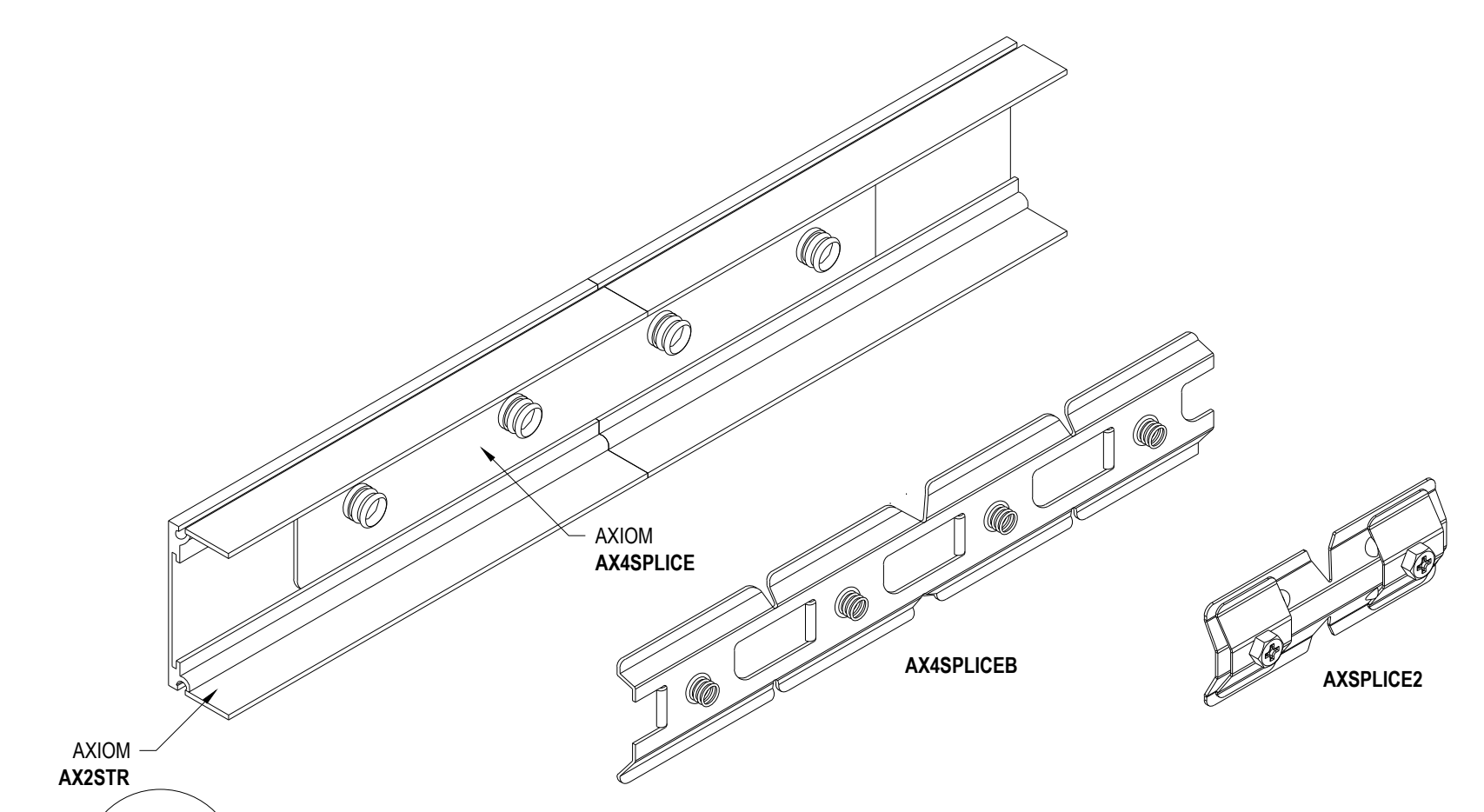
DD-02 AXTBC



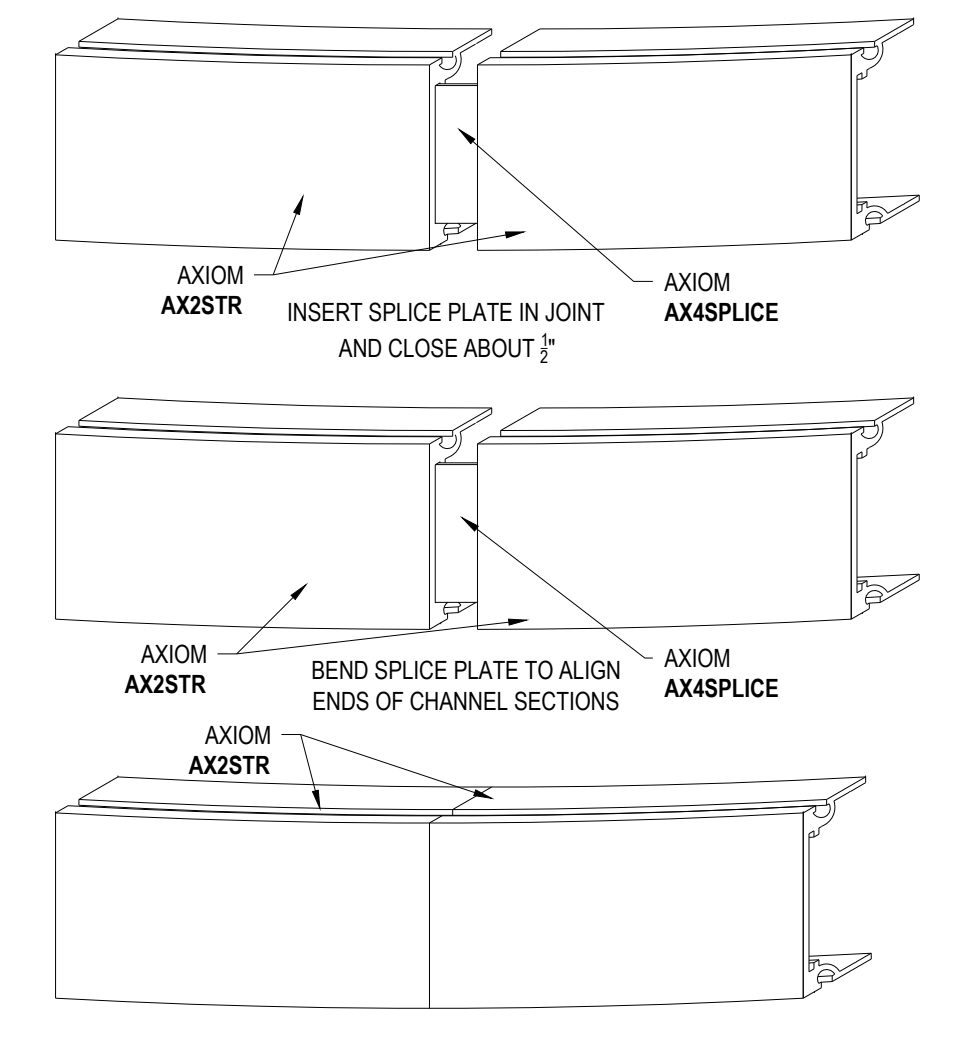
DD-03 AXTBC CONNECTION



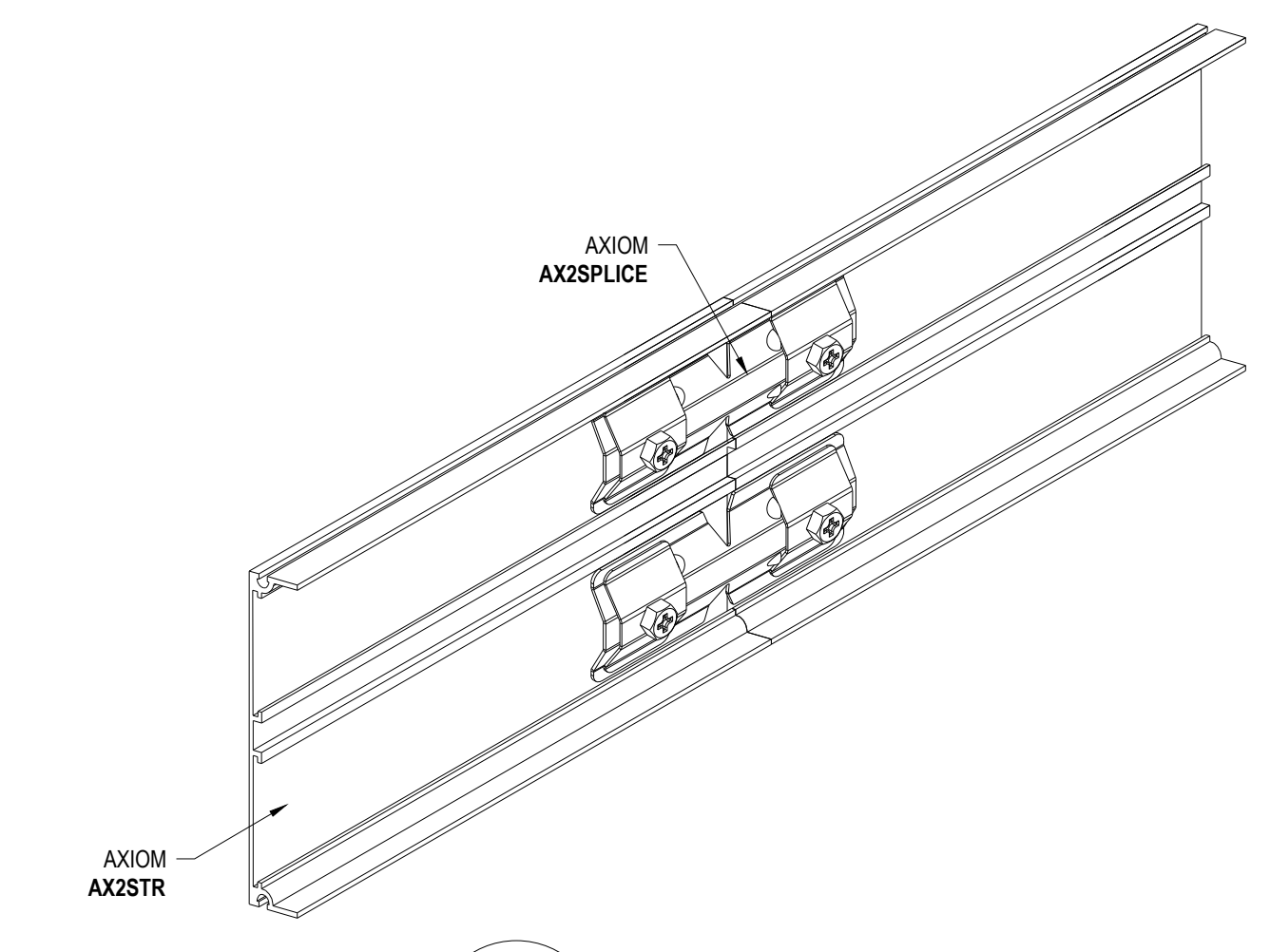
DD-04 CUTTING FOR AXTBC



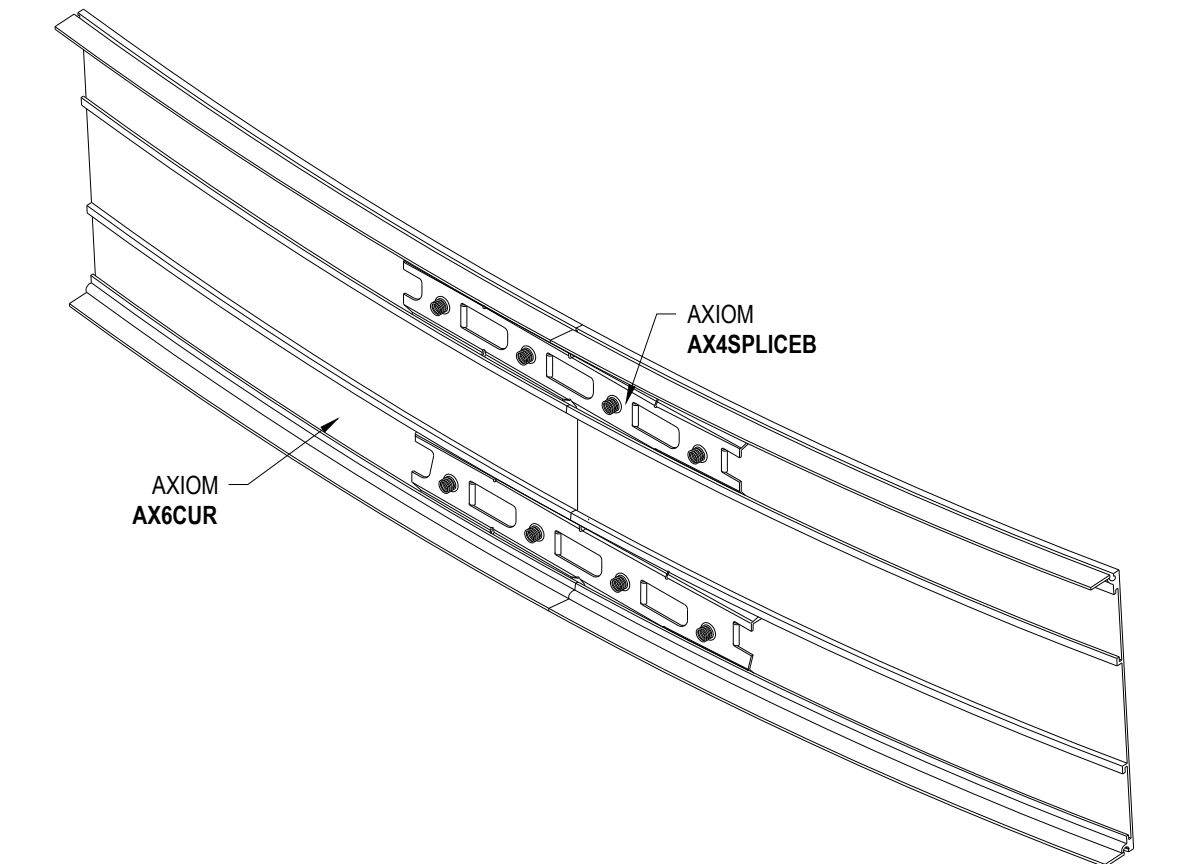
DD-05 AXIOM SPLICES



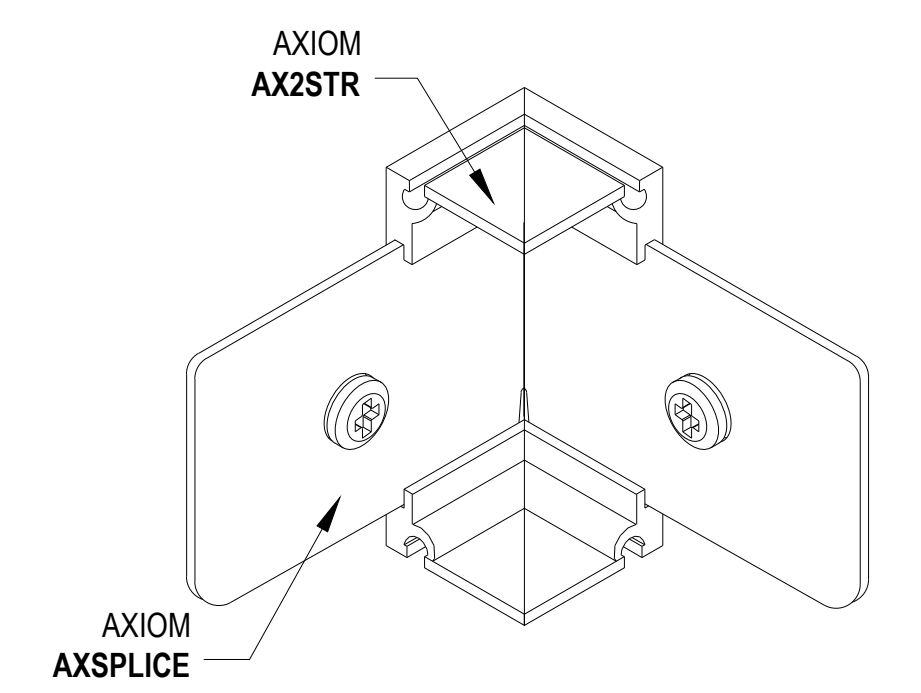
DD-06 RADIUS CHANNEL CONNECTION



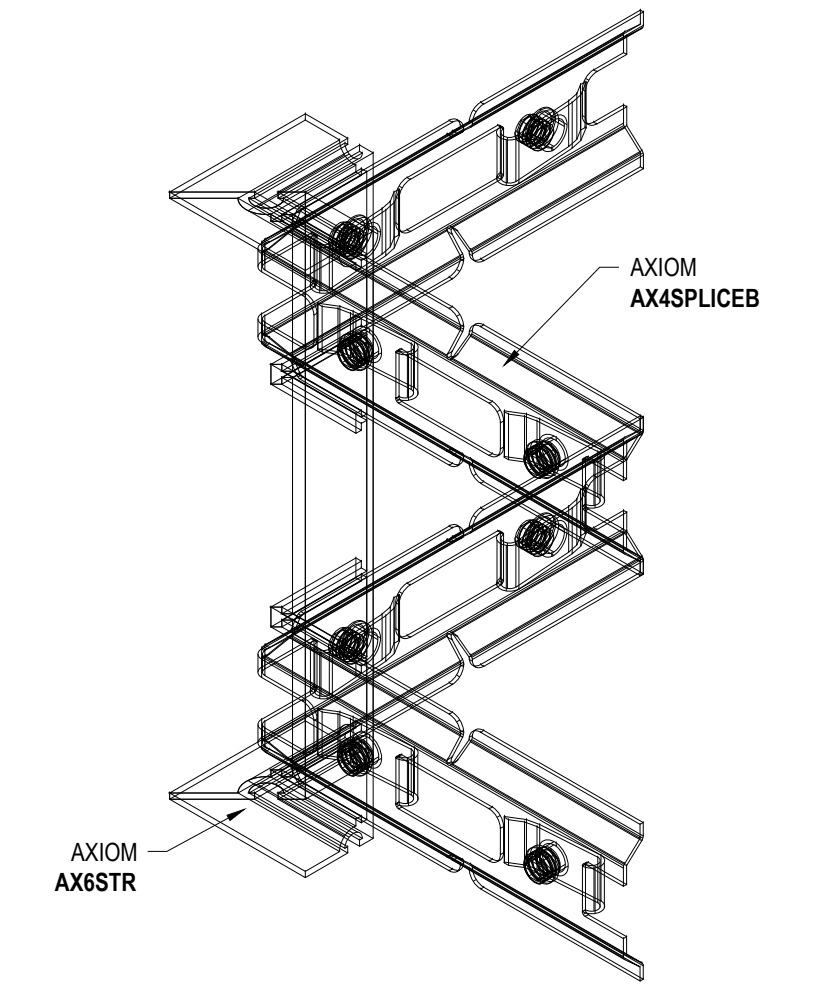
DD-07 AXIOM TRIM SPLICED



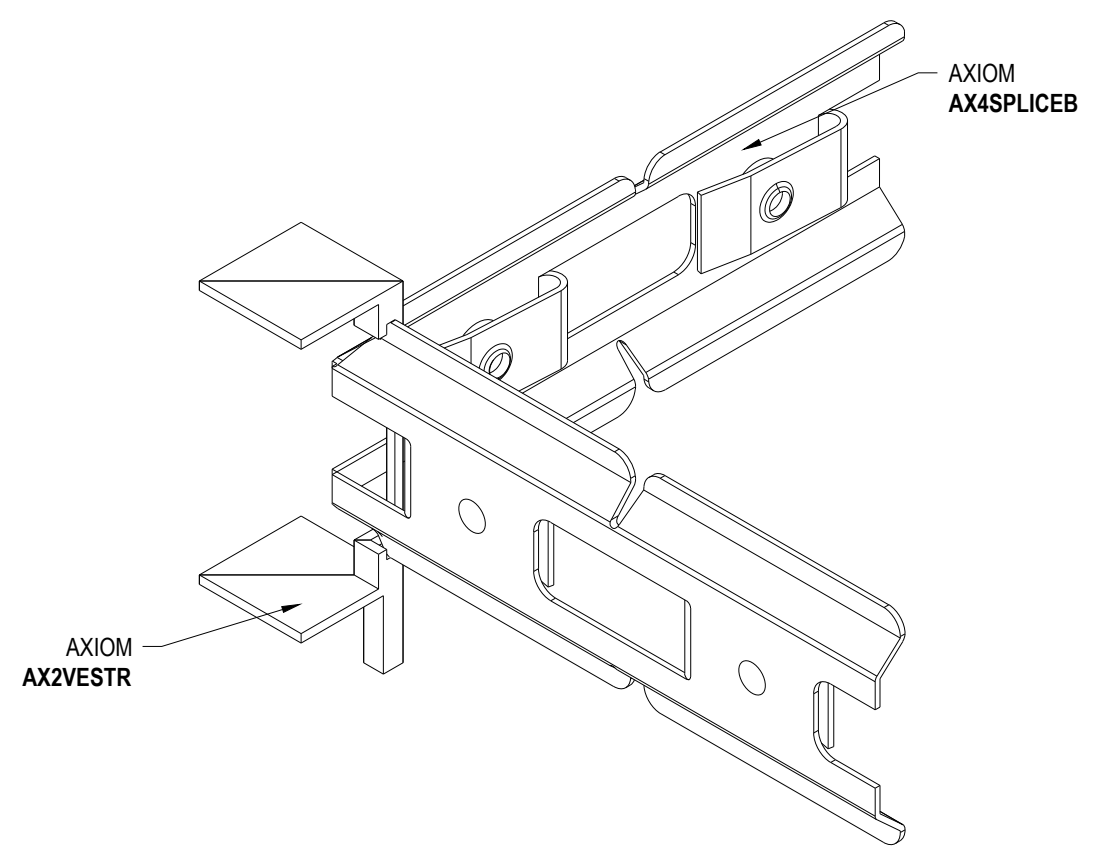
DD-08 CURVED AXIOM CONNECTION



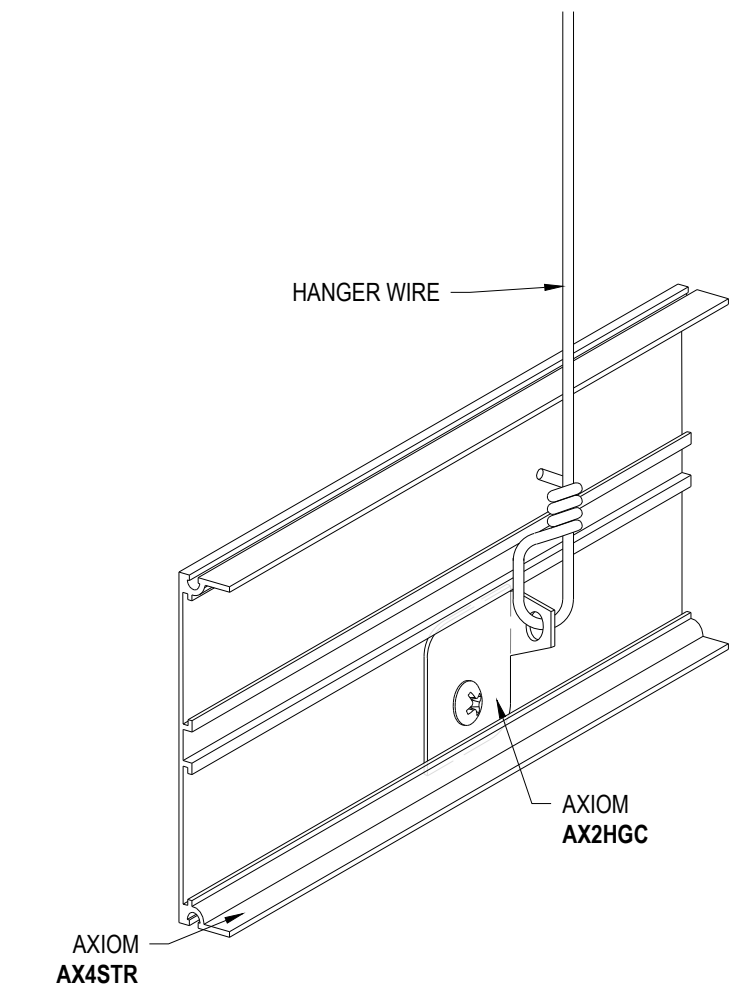
DD-09 AXIOM OUTSIDE CORNER POST



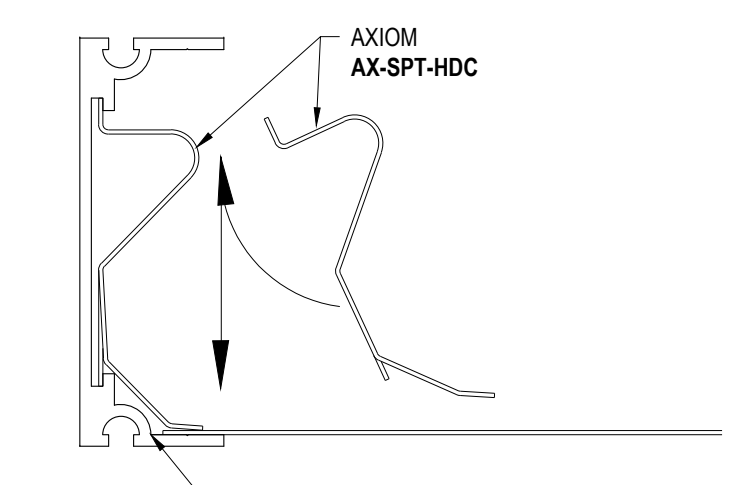
DD-10 AXIOM INSIDE CORNER POST



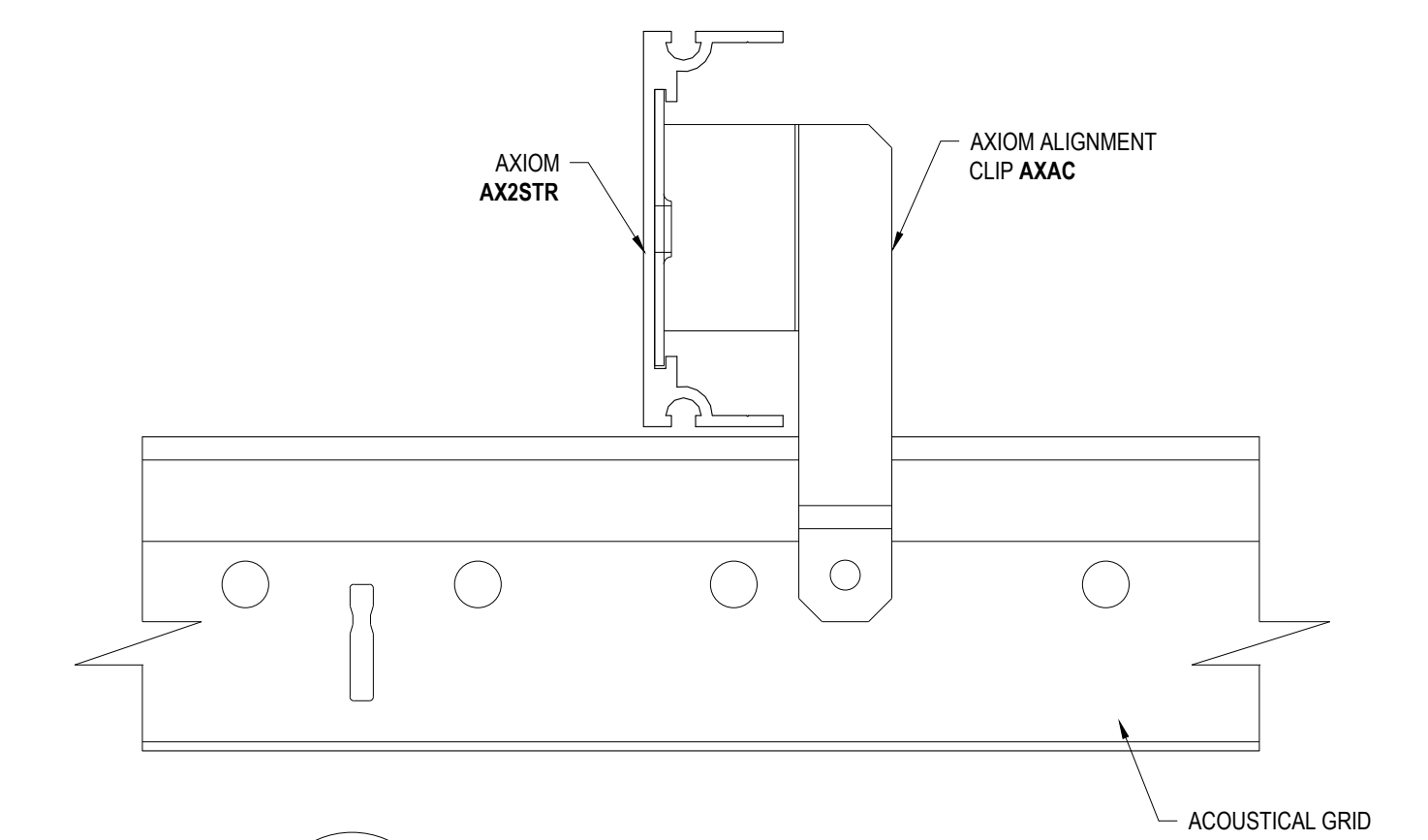
DD-11 AXIOM VECTOR INSIDE CORNER POST



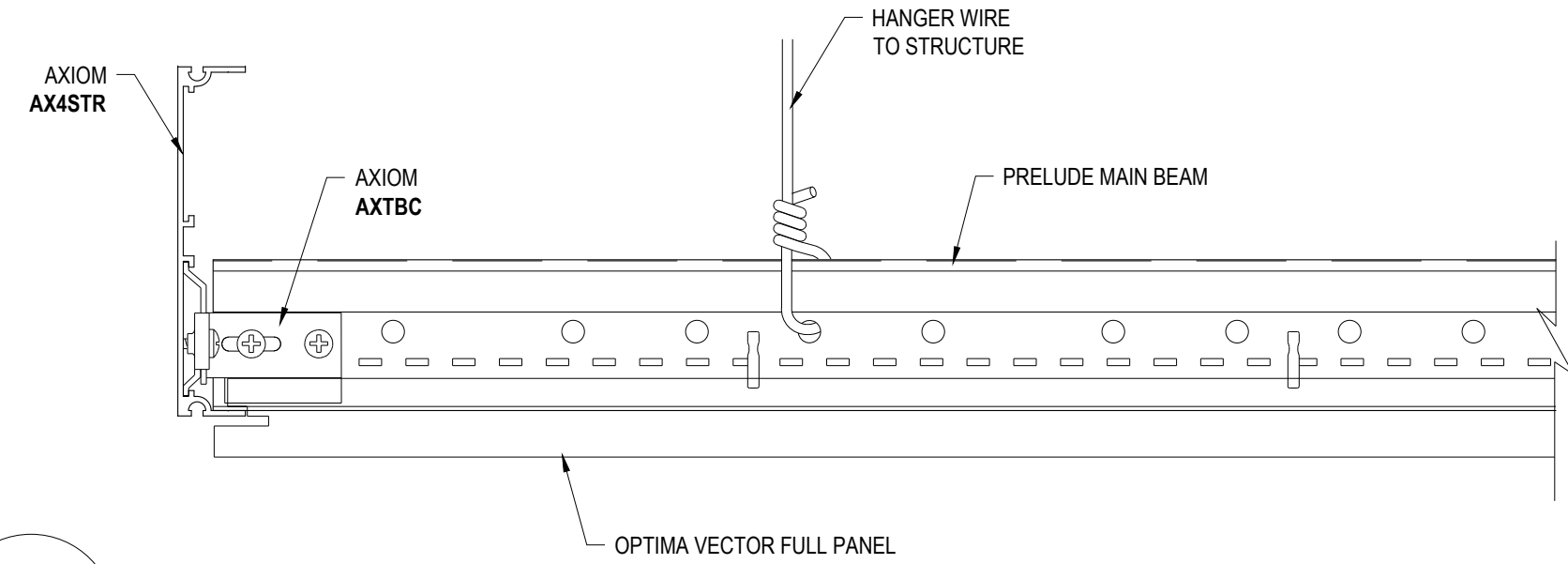
DD-12 AX2HGC



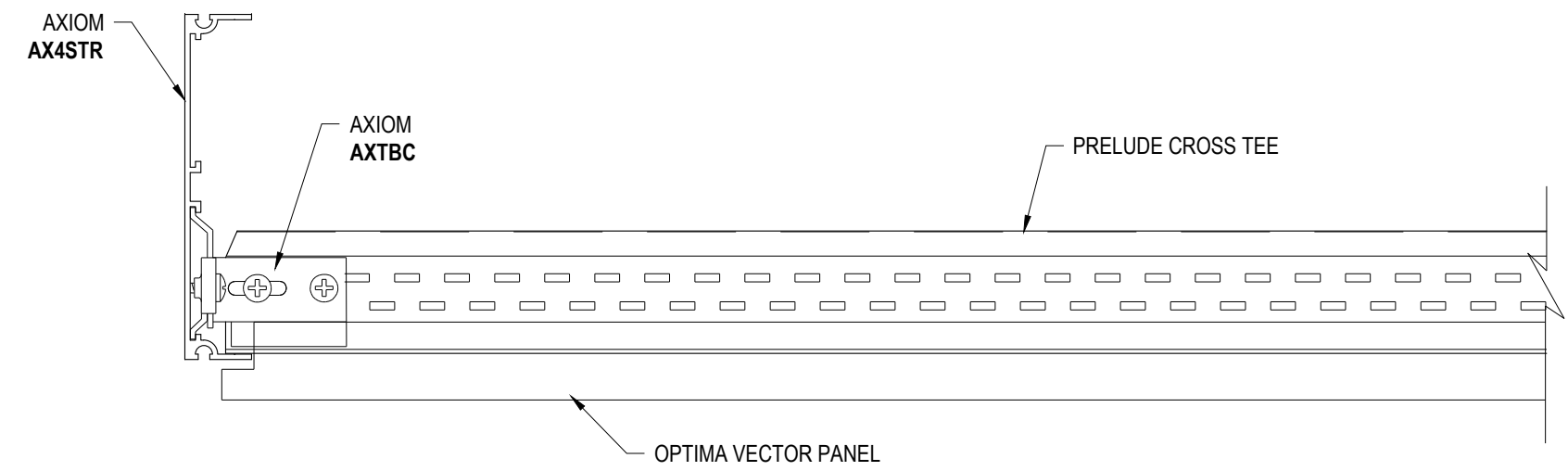
DD-13 AX-SPT-HDC



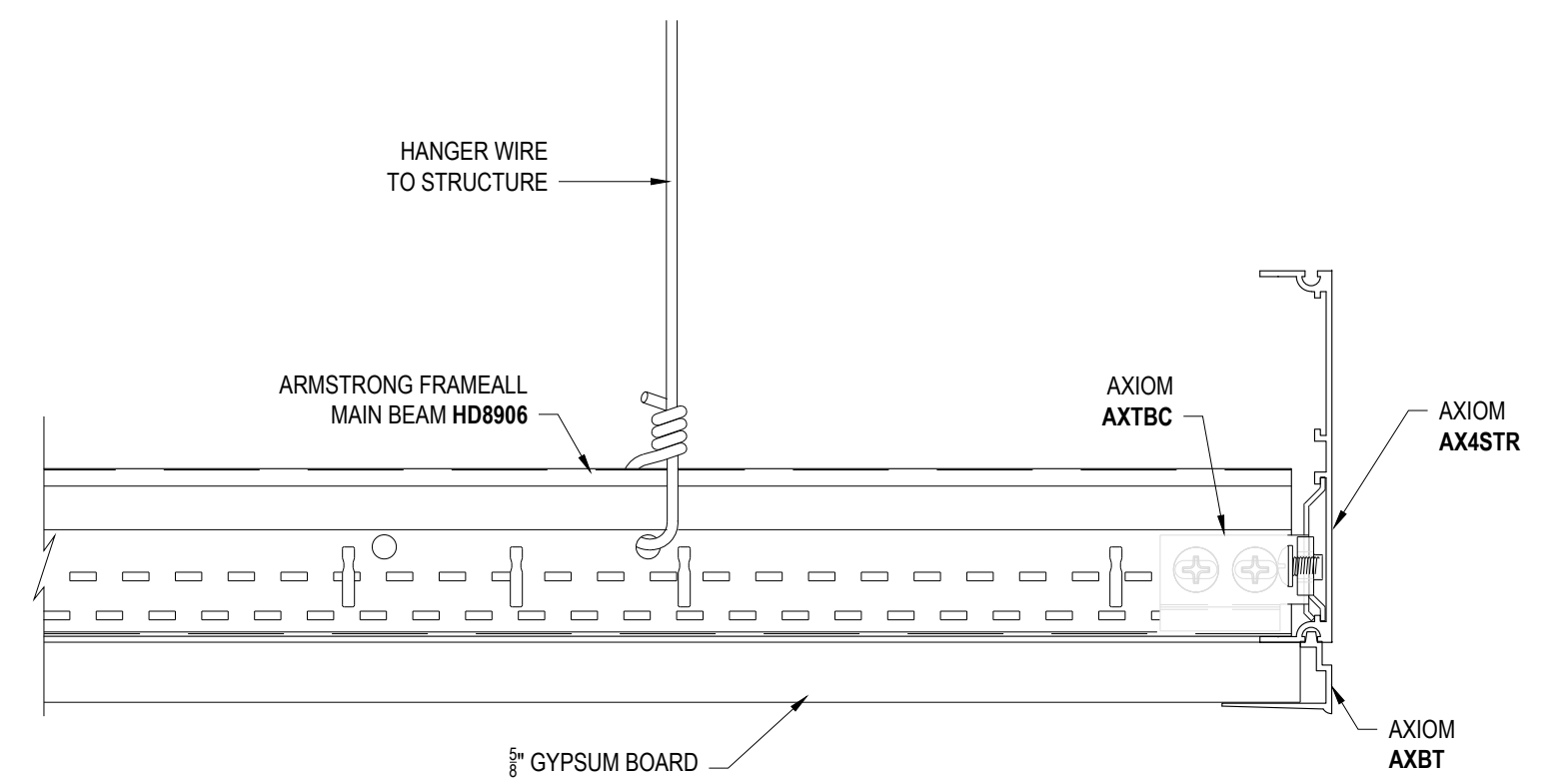
DD-14 AXIOM ALIGNMENT CLIP



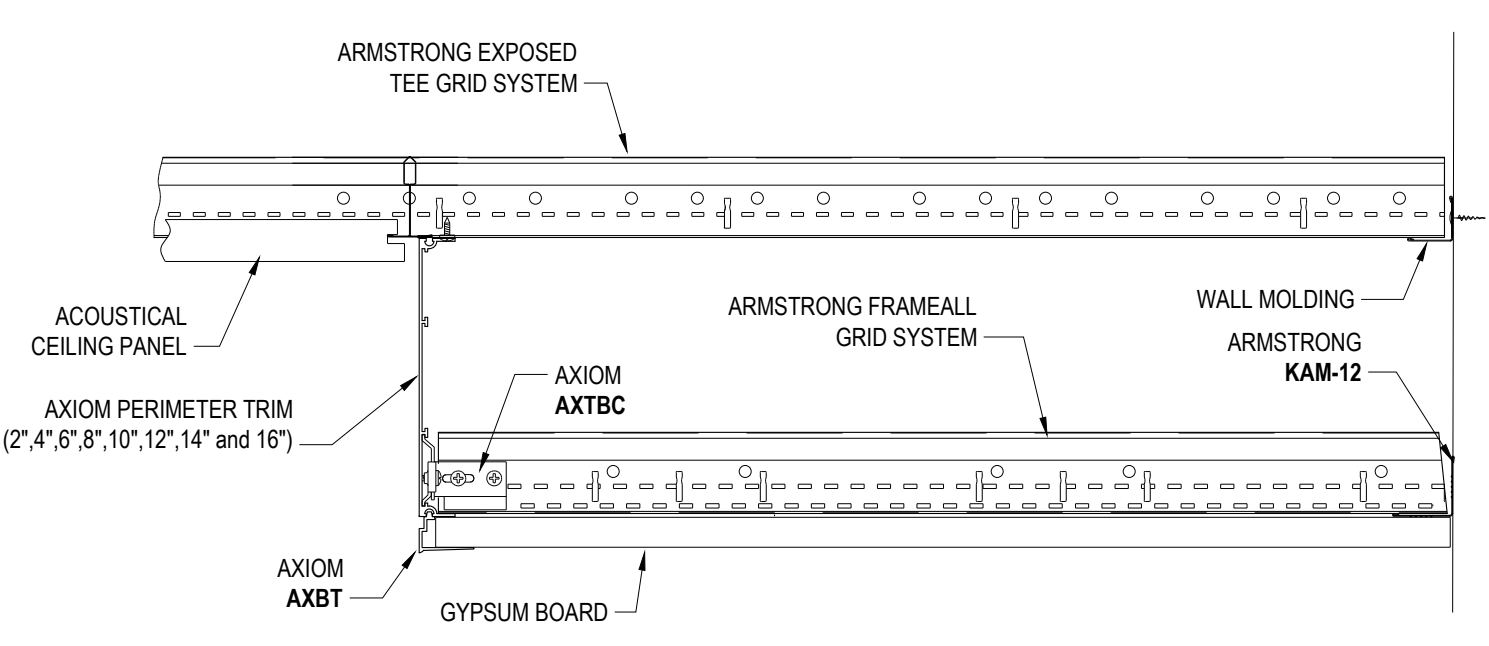
DD-15 PRELUDE MAIN WITH AXIOM



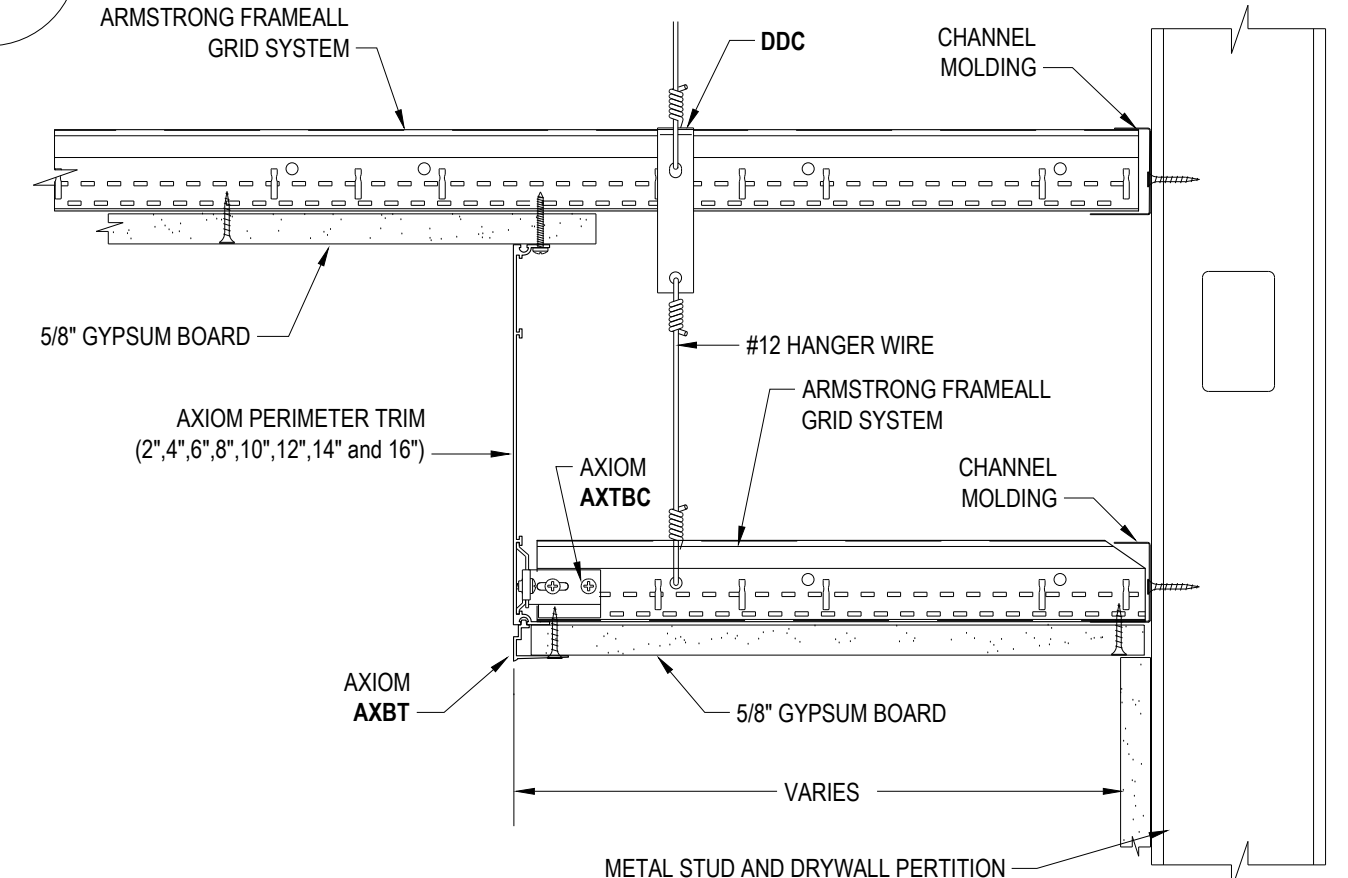
DD-16 PRELUDE CROSS TEE WITH AXIOM



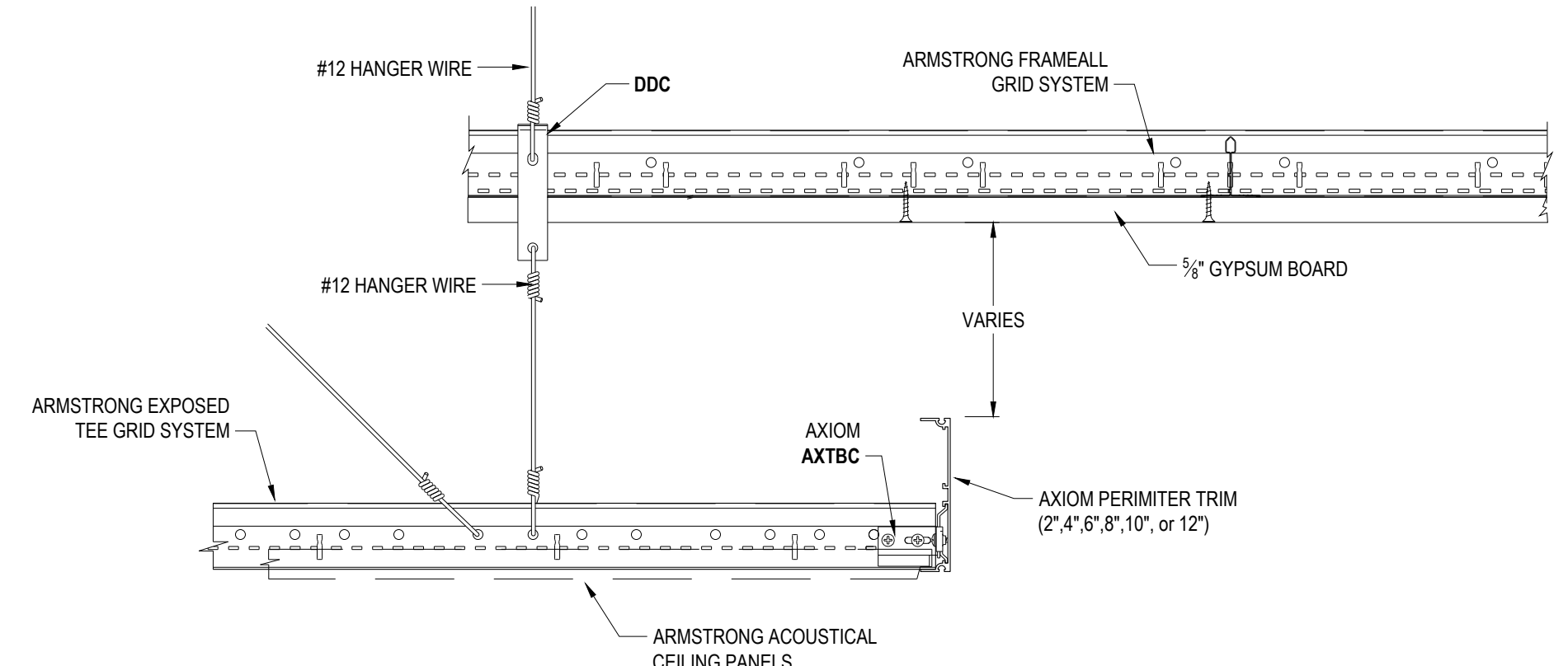
DD-17 AXIOM CLASSIC WITH BOTTOM TRIM



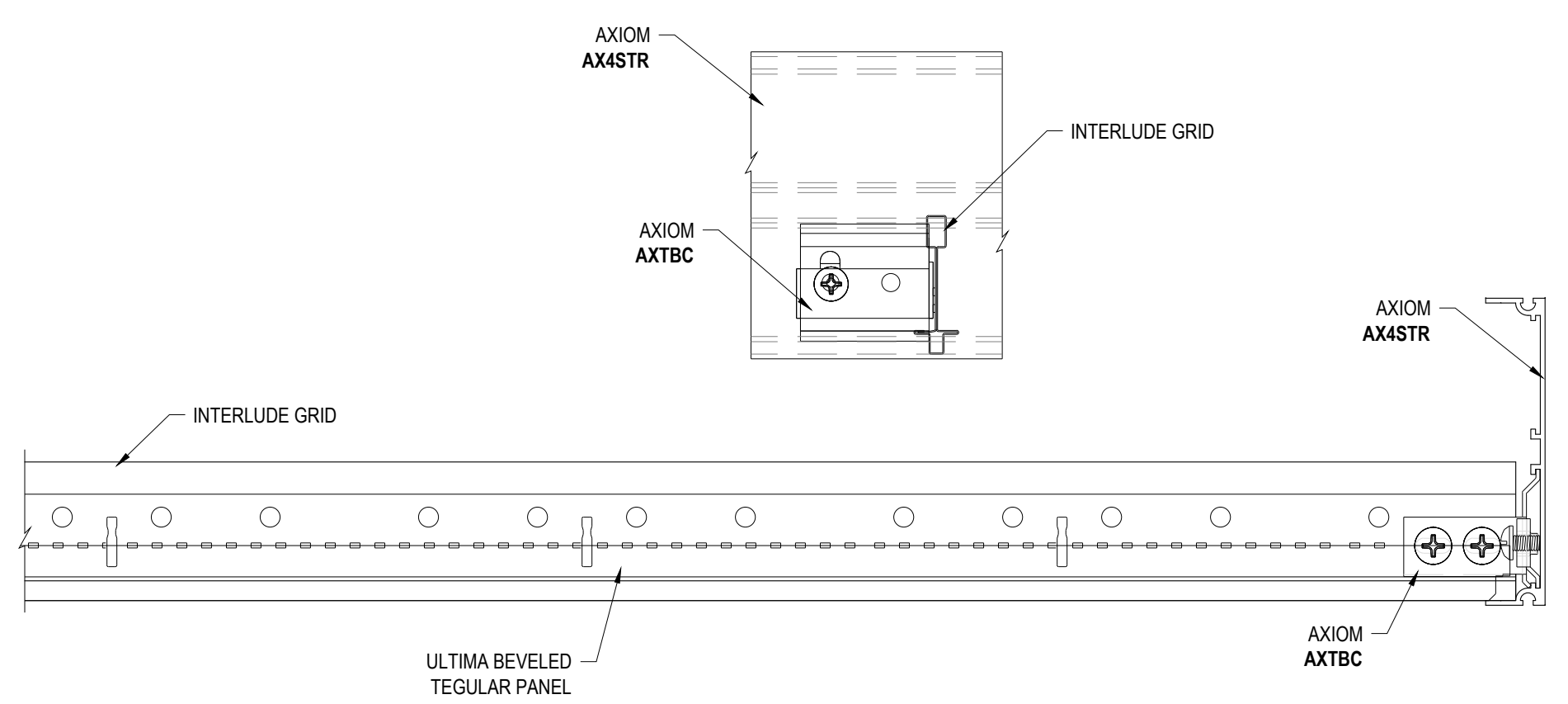
DD-18 AXIOM DRYWALL PERIMETER SOFFIT



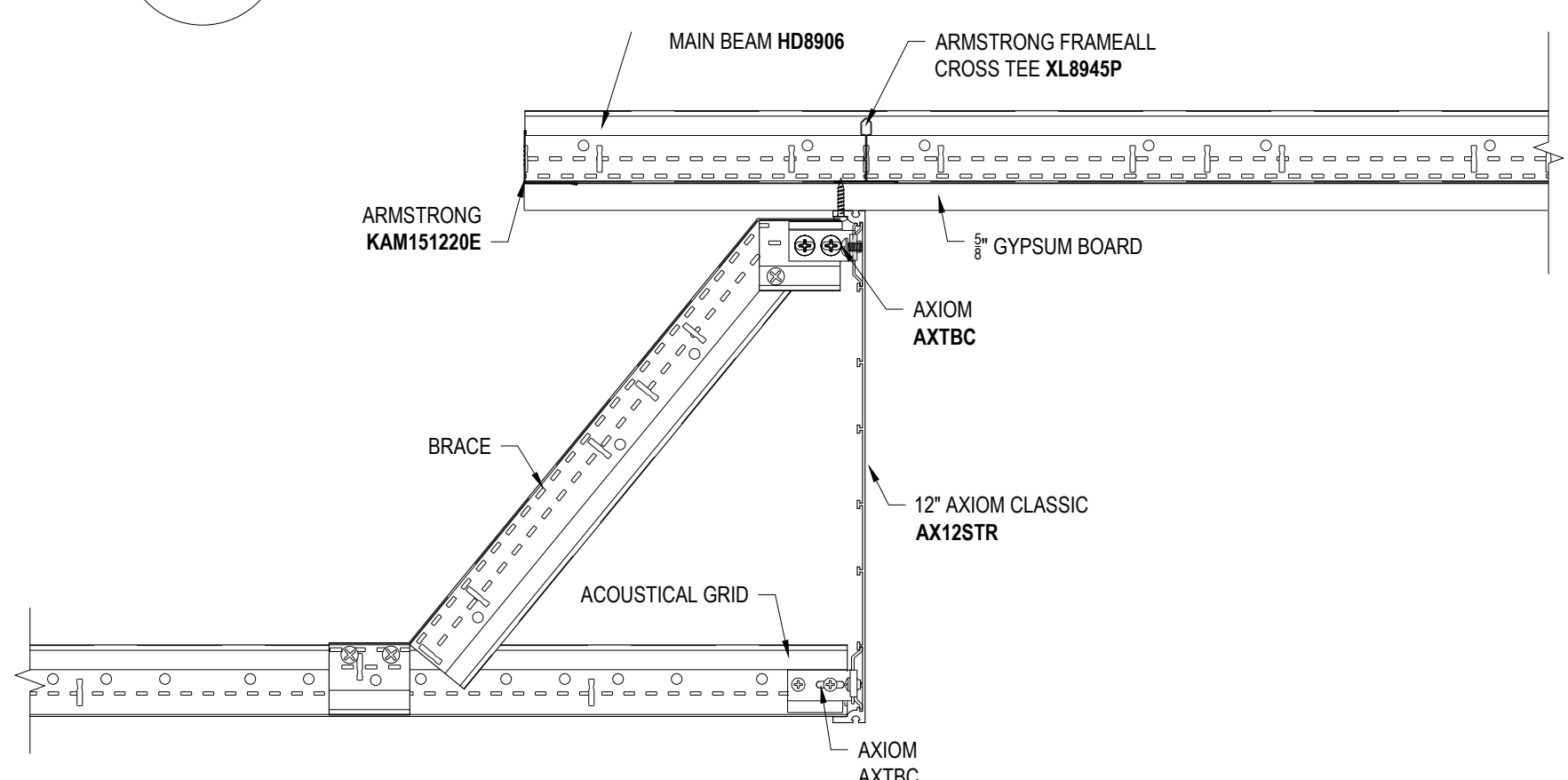
DD-19 AXIOM SOFFIT DRYWALL TO DRYWALL



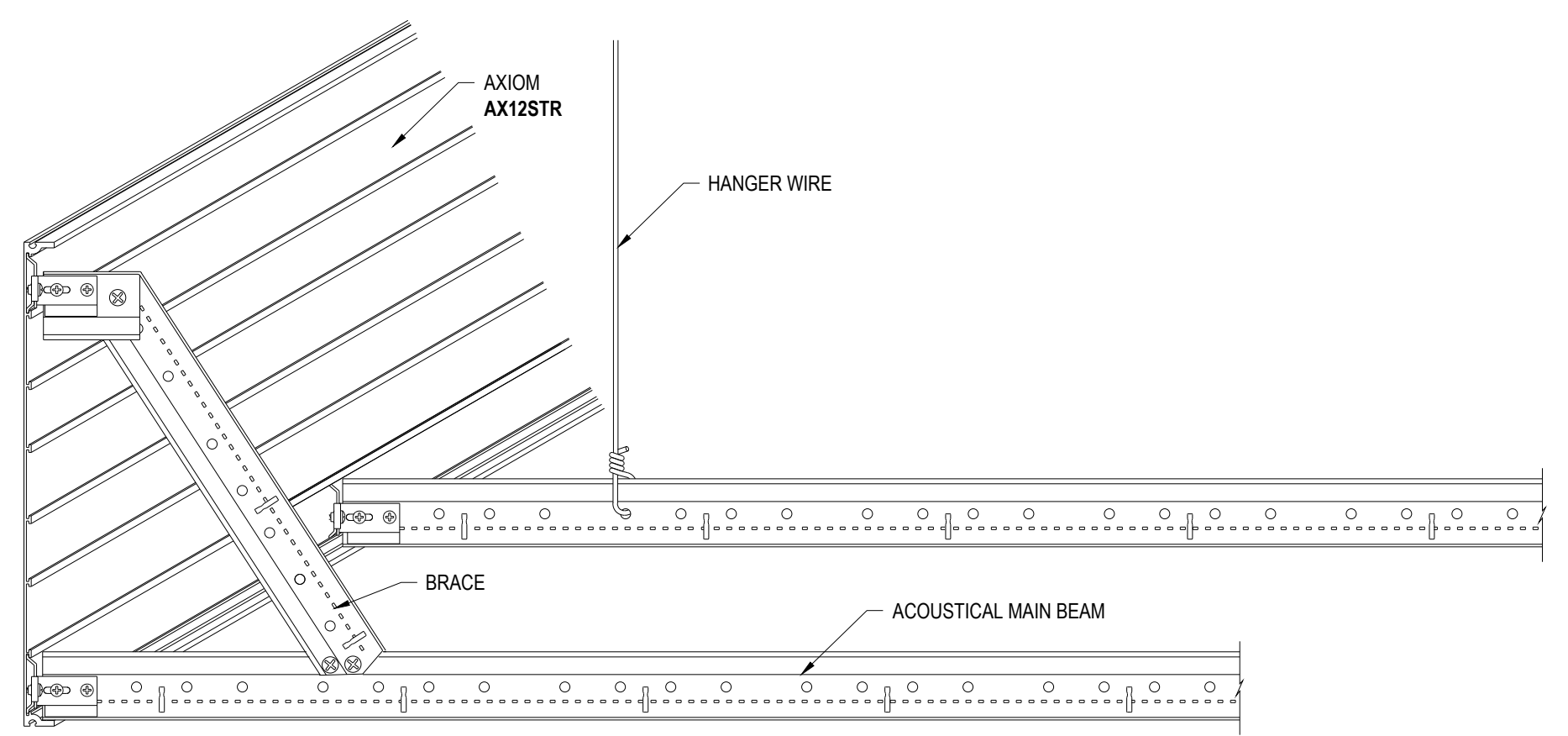
DD-20 AXIOM SOFFIT DRYWALL TO ACOUSTICAL



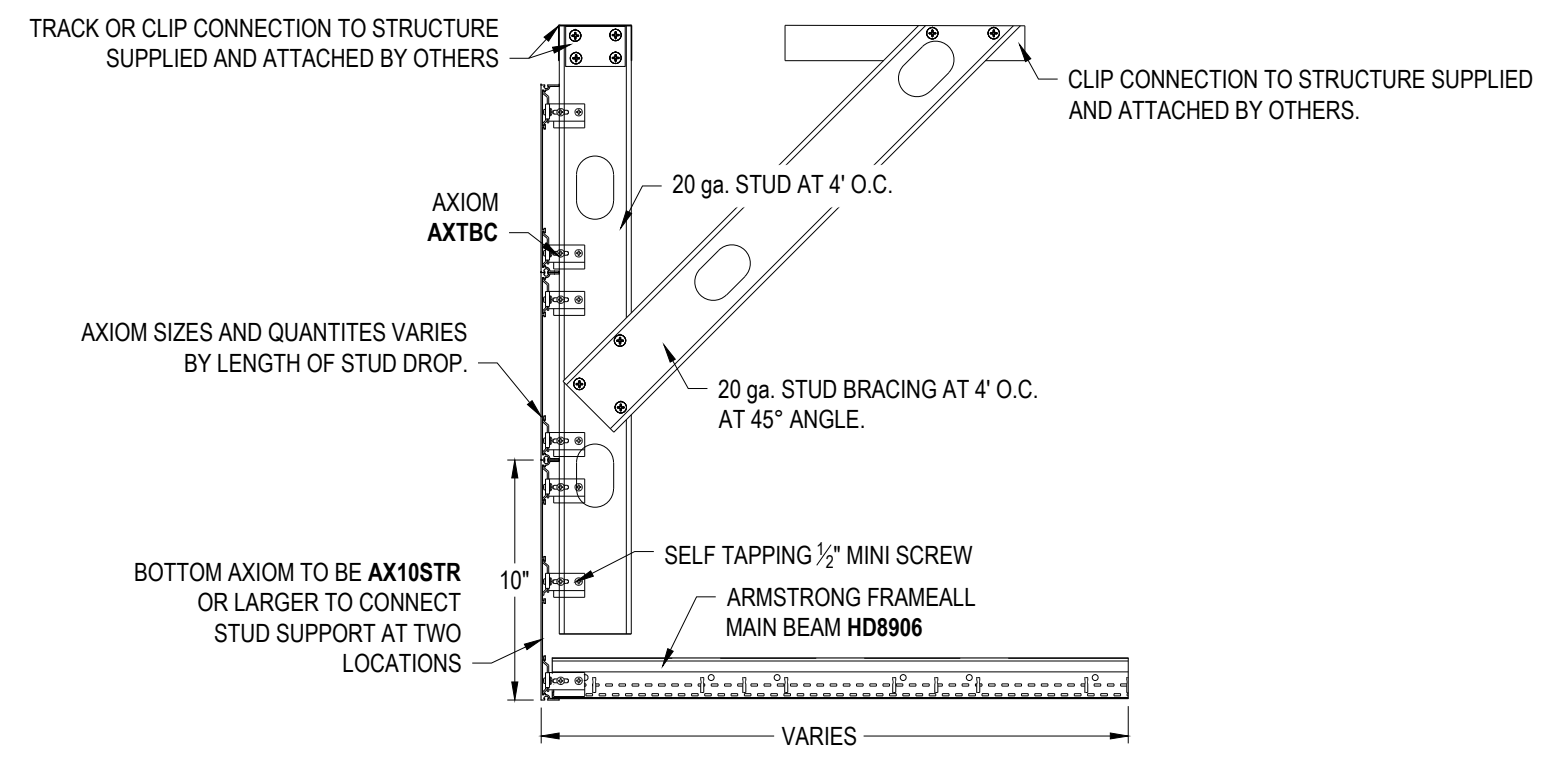
DD-21 AXIOM CLASSIC INSTALLATION WITH INTERLUDE



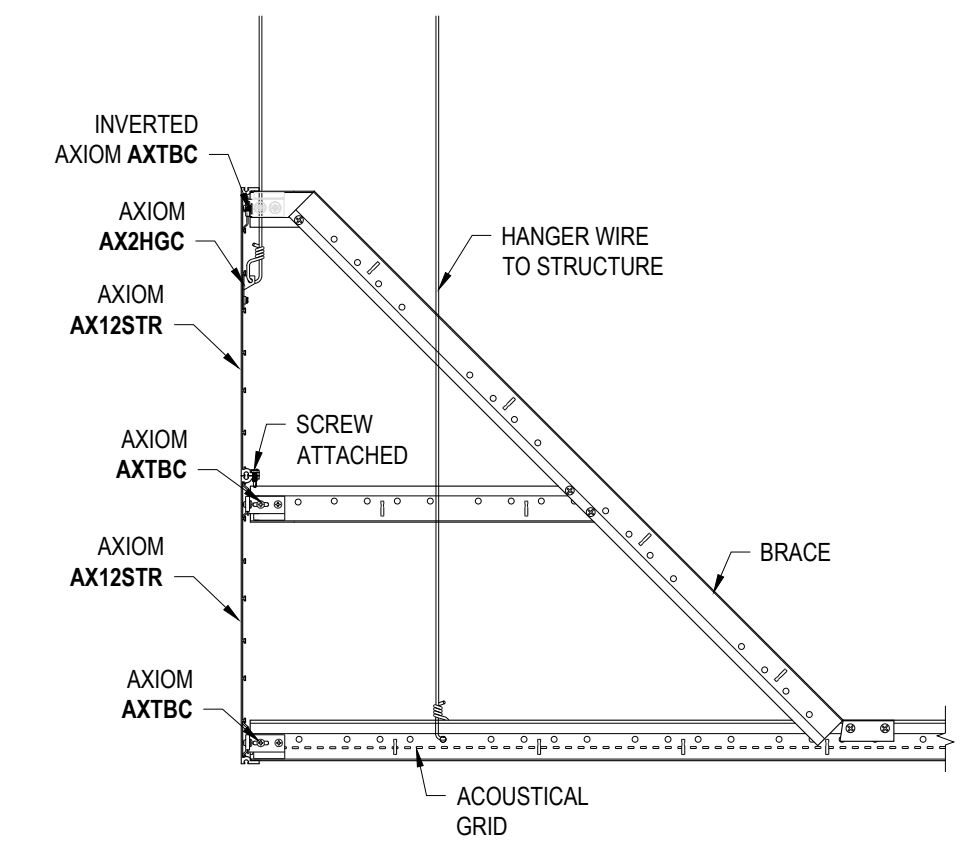
DD-22 AXIOM CLASSIC WITH DRYWALL UPPER CEILING



DD-23 ACOUSTICAL WITH 12" AXIOM CLASSIC



DD-24 STACKED AXIOM ABOVE 18"



DD-25 AXIOM STACKED 12" CLASSIC WITH 12" CLASSIC

These drawings show typical conditions in which the Armstrong product depicted is installed. They are not a substitute for an architect or engineer's plan and do not reflect the unique requirements of local building codes, laws, ordinances, rules and regulations (Legal Requirements) that may be applicable for a particular installation.

Armstrong does not warrant, and assumes no liability for the accuracy or completeness of the drawings for a particular installation or their fitness for a particular purpose. The user is advised to consult with a duly licensed architect or engineer in the particular locale of the installation to assure compliance with all Legal Requirements.

Armstrong is not licensed to provide professional architecture or engineering design services.

PROJECT NAME: AXIOM CLASSIC MASTER SHEET INSTALLATIONS

DWG. NO. A-A005-MS-02

DATE: 1/7/25

DRAWN BY: DAG

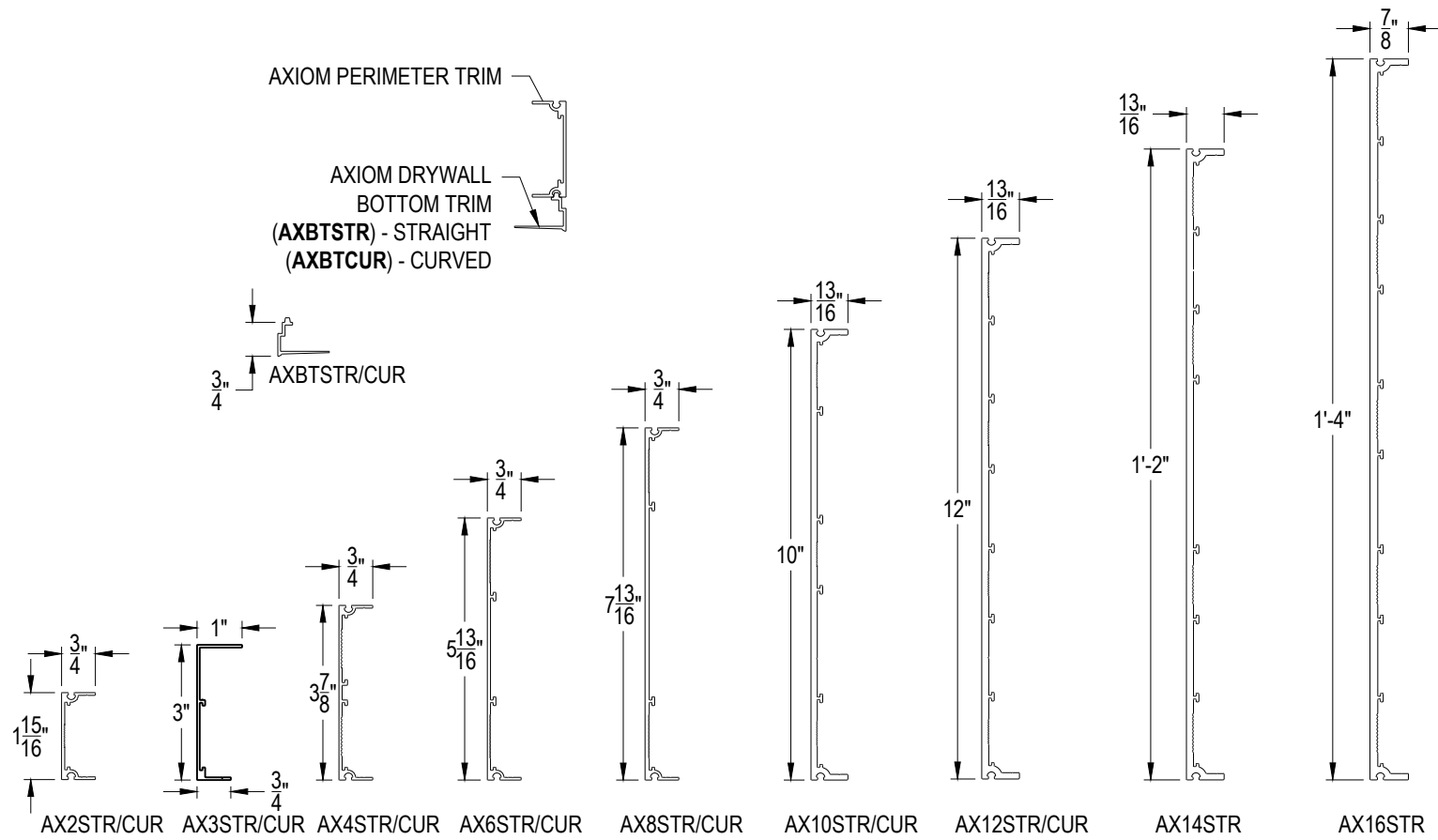
SCALE: .

CHK BY: .

REV: . DATE: .

DESC: .

TechLine ARMSTRONG CEILING SYSTEMS * ARMSTRONG WORLD INDUSTRIES, INC. * Lancaster, PA * Phone: 877-ARMSTRONG



DD-01 AXIOM CLASSIC TRIM

These drawings show typical conditions in which the Armstrong product depicted is installed. They are not a substitute for an architect's or engineer's plan and do not reflect the unique requirements of local building codes, laws, statutes, ordinances, rules and regulations (Legal Requirements) that may be applicable for a particular installation.

Armstrong does not warrant, and assumes no liability for the accuracy or completeness of the drawings for a particular installation or their fitness for a particular purpose. The user is advised to consult with a duly licensed architect or engineer in the particular locale of the installation to assure compliance with all Legal Requirements.

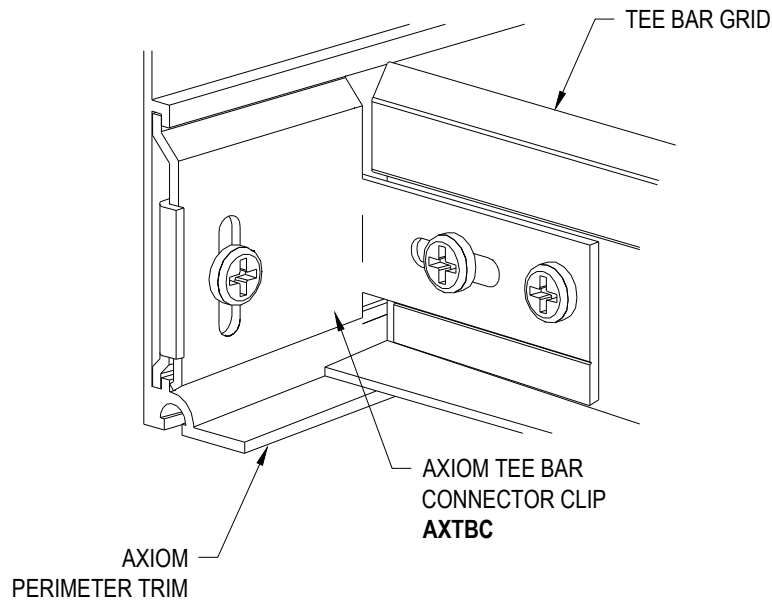
Armstrong is not licensed to provide professional architecture or engineering design services.

PROJECT NAME: AXIOM CLASSIC MASTER SHEET AXIOM CLASSIC TRIM		REV: .	DATE: .
DWG. NO. A-A005-DD-01			
DATE: 1/7/25	SCALE: 3"=1'-0"	DESC.: .	
DRAWN BY: DAG	CHK BY: .		



CEILING & WALL SOLUTIONS * ARMSTRONG WORLD INDUSTRIES, INC. * Lancaster, PA * Phone: 877-ARMSTRONG





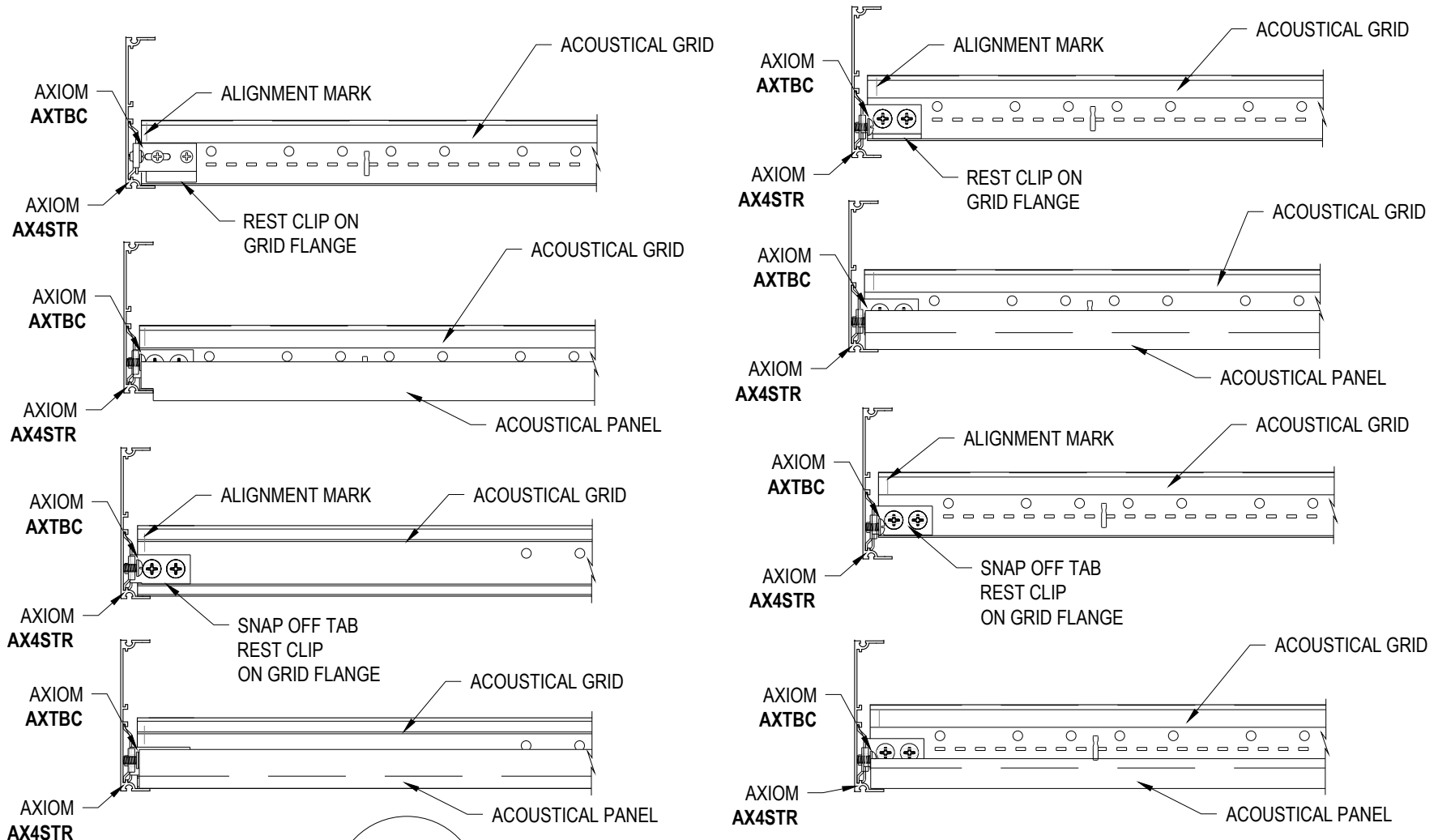
DD-02 AXTBC

These drawings show typical conditions in which the Armstrong product depicted is installed. They are not a substitute for an architect's or engineer's plan and do not reflect the unique requirements of local building codes, laws, statutes, ordinances, rules and regulations (Legal Requirements) that may be applicable for a particular installation.

Armstrong does not warrant, and assumes no liability for the accuracy or completeness of the drawings for a particular installation or their fitness for a particular purpose. The user is advised to consult with a duly licensed architect or engineer in the particular locale of the installation to assure compliance with all Legal Requirements.

Armstrong is not licensed to provide professional architecture or engineering design services.

PROJECT NAME: AXIOM CLASSIC MASTER SHEET AXTBC		REV: .	DATE: .
DWG. NO. A-A005-DD-02		SCALE: 1'-0"=1'-0"	DESC.: .
DATE: 1/7/25	DRAWN BY: DAG	CHK BY: .	



DD-03 **AXTBC CONNECTION**

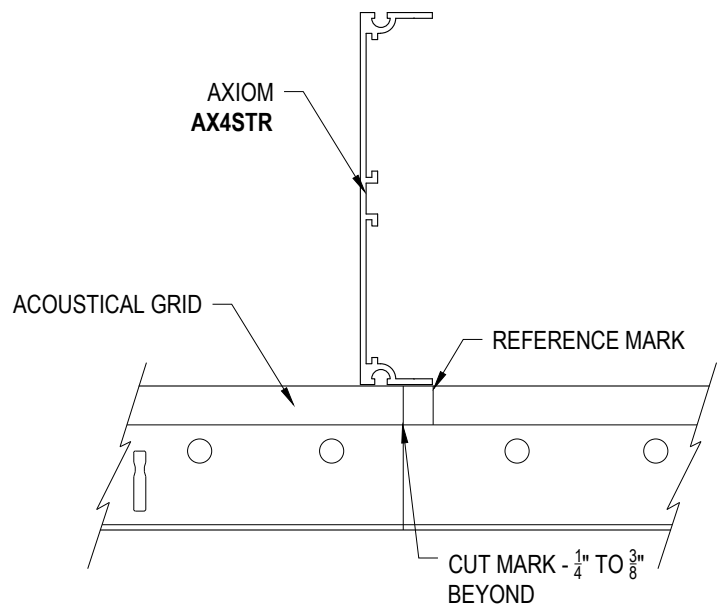
These drawings show typical conditions in which the Armstrong product depicted is installed. They are not a substitute for an architect's or engineer's plan and do not reflect the unique requirements of local building codes, laws, statutes, ordinances, rules and regulations (Legal Requirements) that may be applicable for a particular installation.

Armstrong does not warrant, and assumes no liability for the accuracy or completeness of the drawings for a particular installation or their fitness for a particular purpose. The user is advised to consult with a duly licensed architect or engineer in the particular locale of the installation to assure compliance with all Legal Requirements.

Armstrong is not licensed to provide professional architecture or engineering design services.

PROJECT NAME: AXIOM CLASSIC MASTER SHEET AXTBC CONNECTION		REV: .	DATE: .
DWG. NO. A-A005-DD-03		SCALE: 3"=1'-0"	DESC.: .
DATE: 1/7/25	DRAWN BY: DAG	CHK BY: .	





DD-04 CUTTING FOR AXTBC

These drawings show typical conditions in which the Armstrong product depicted is installed. They are not a substitute for an architect's or engineer's plan and do not reflect the unique requirements of local building codes, laws, statutes, ordinances, rules and regulations (Legal Requirements) that may be applicable for a particular installation.

Armstrong does not warrant, and assumes no liability for the accuracy or completeness of the drawings for a particular installation or their fitness for a particular purpose. The user is advised to consult with a duly licensed architect or engineer in the particular locale of the installation to assure compliance with all Legal Requirements.

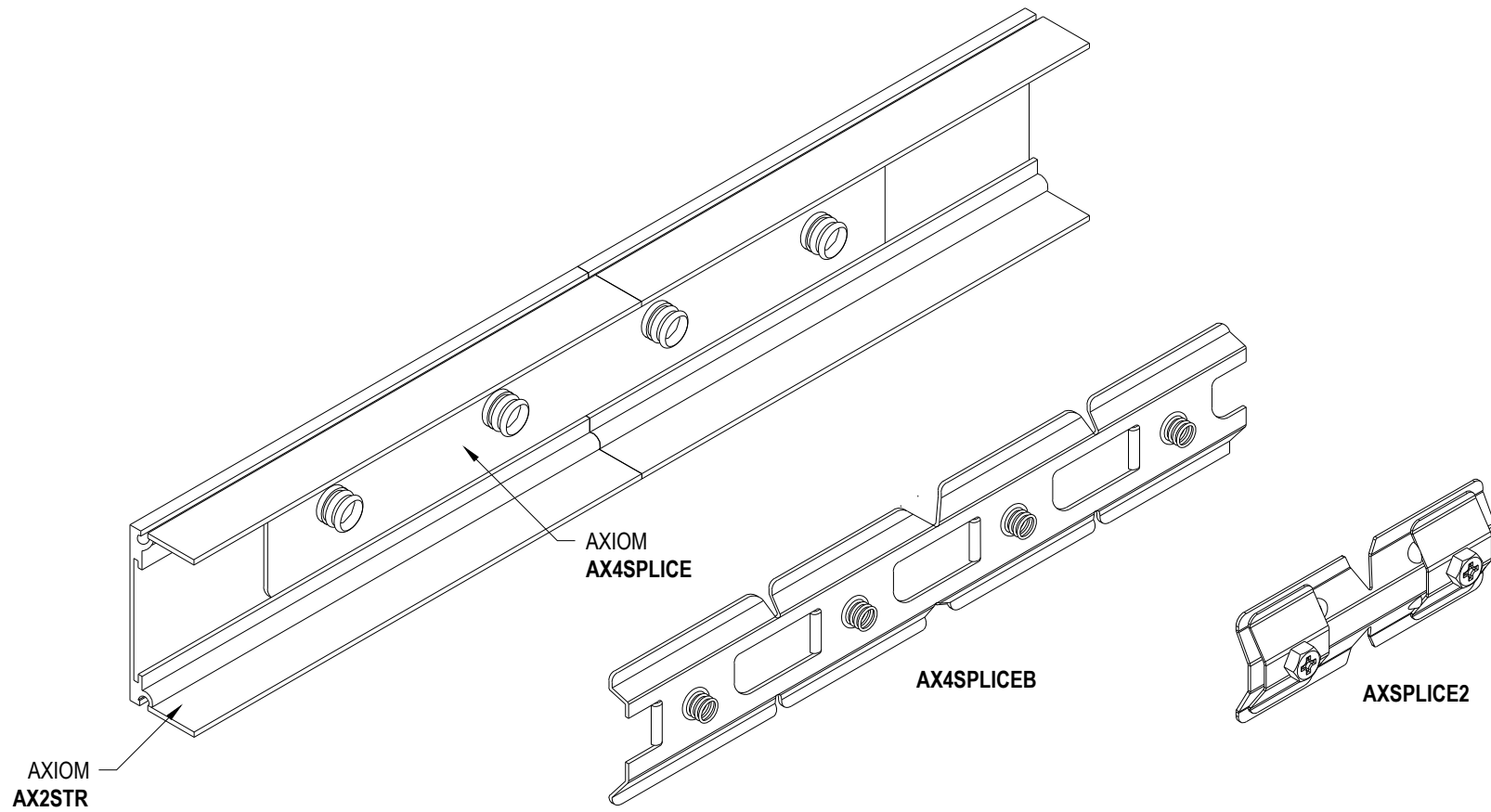
Armstrong is not licensed to provide professional architecture or engineering design services.

PROJECT NAME: AXIOM CLASSIC MASTER SHEET CUTTING FOR AXTBC		REV: .	DATE: .
DWG. NO. A-A005-DD-04			
DATE: 1/7/25	SCALE: 6"=1'-0"	DESC.: .	
DRAWN BY: DAG	CHK BY: .		



CEILING & WALL SOLUTIONS * ARMSTRONG WORLD INDUSTRIES, INC. * Lancaster, PA * Phone: 877-ARMSTRONG





DD-05 AXIOM SPLICES

These drawings show typical conditions in which the Armstrong product depicted is installed. They are not a substitute for an architect's or engineer's plan and do not reflect the unique requirements of local building codes, laws, statutes, ordinances, rules and regulations (Legal Requirements) that may be applicable for a particular installation.

Armstrong does not warrant, and assumes no liability for the accuracy or completeness of the drawings for a particular installation or their fitness for a particular purpose. The user is advised to consult with a duly licensed architect or engineer in the particular locale of the installation to assure compliance with all Legal Requirements.

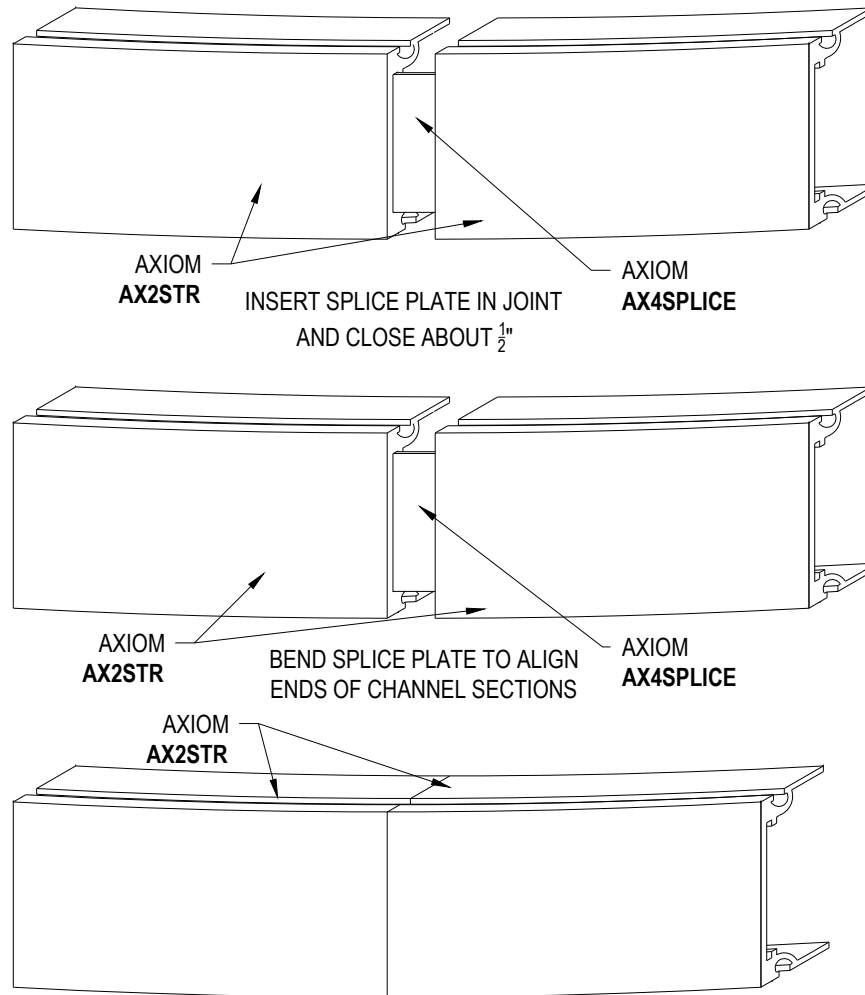
Armstrong is not licensed to provide professional architecture or engineering design services.

PROJECT NAME: AXIOM CLASSIC MASTER SHEET AXIOM SPLICES		REV: .	DATE: .
DWG. NO. A-A005-DD-05		DESC.: .	
DATE: 1/7/25	SCALE: 6"=1'-0"		
DRAWN BY: DAG	CHK BY: .		



CEILING & WALL SOLUTIONS * ARMSTRONG WORLD INDUSTRIES, INC. * Lancaster, PA * Phone: 877-ARMSTRONG





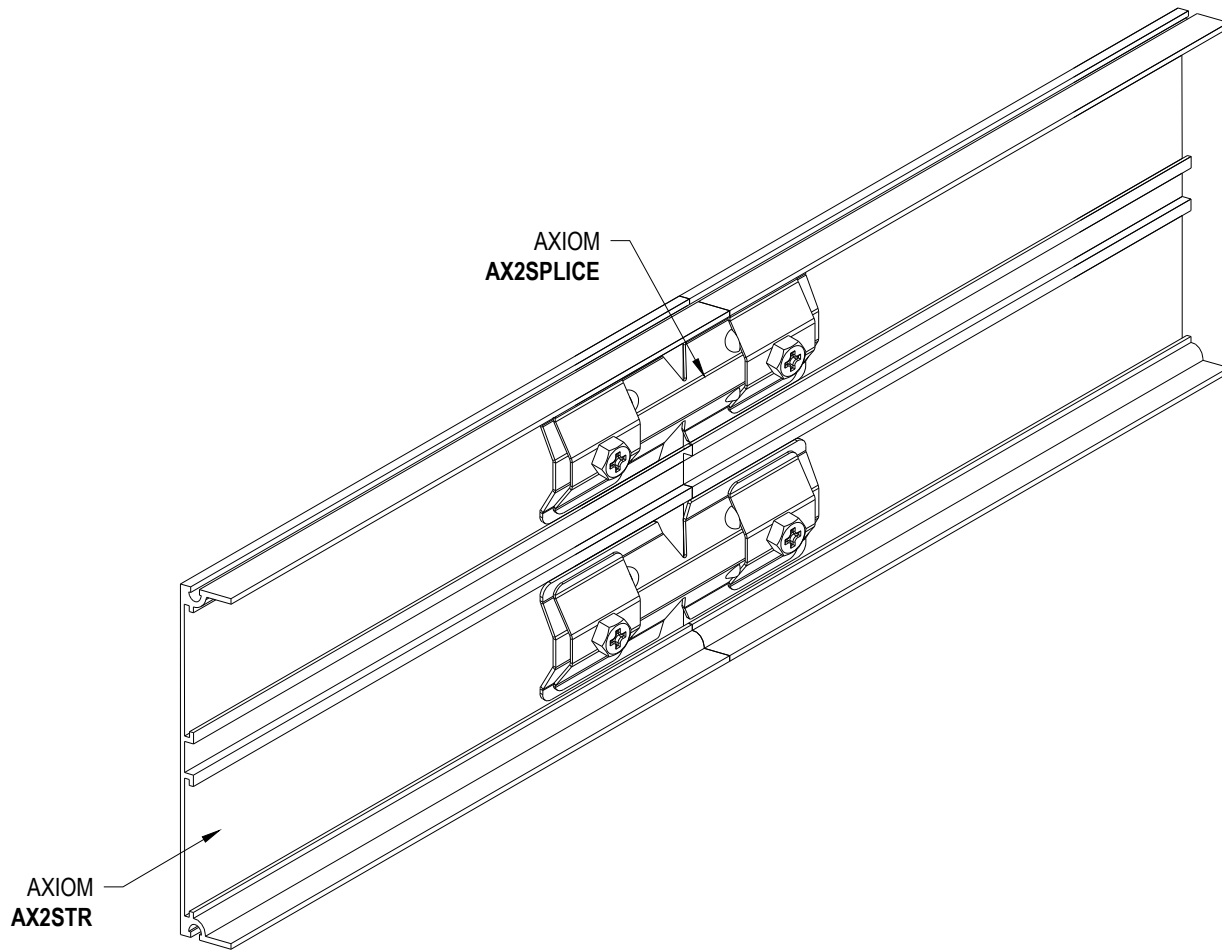
DD-06 **RADIUS CHANNEL CONNECTION**

These drawings show typical conditions in which the Armstrong product depicted is installed. They are not a substitute for an architect's or engineer's plan and do not reflect the unique requirements of local building codes, laws, statutes, ordinances, rules and regulations (Legal Requirements) that may be applicable for a particular installation.

Armstrong does not warrant, and assumes no liability for the accuracy or completeness of the drawings for a particular installation or their fitness for a particular purpose. The user is advised to consult with a duly licensed architect or engineer in the particular locale of the installation to assure compliance with all Legal Requirements.

Armstrong is not licensed to provide professional architecture or engineering design services.

PROJECT NAME: AXIOM CLASSIC MASTER SHEET RADIUS CHANNEL CONNECTION		REV: .	DATE: .
DWG. NO. A-A005-DD-06			
DATE: 1/7/25	SCALE: 6"=1'-0"	DESC.: .	
DRAWN BY: DAG	CHK BY: .		



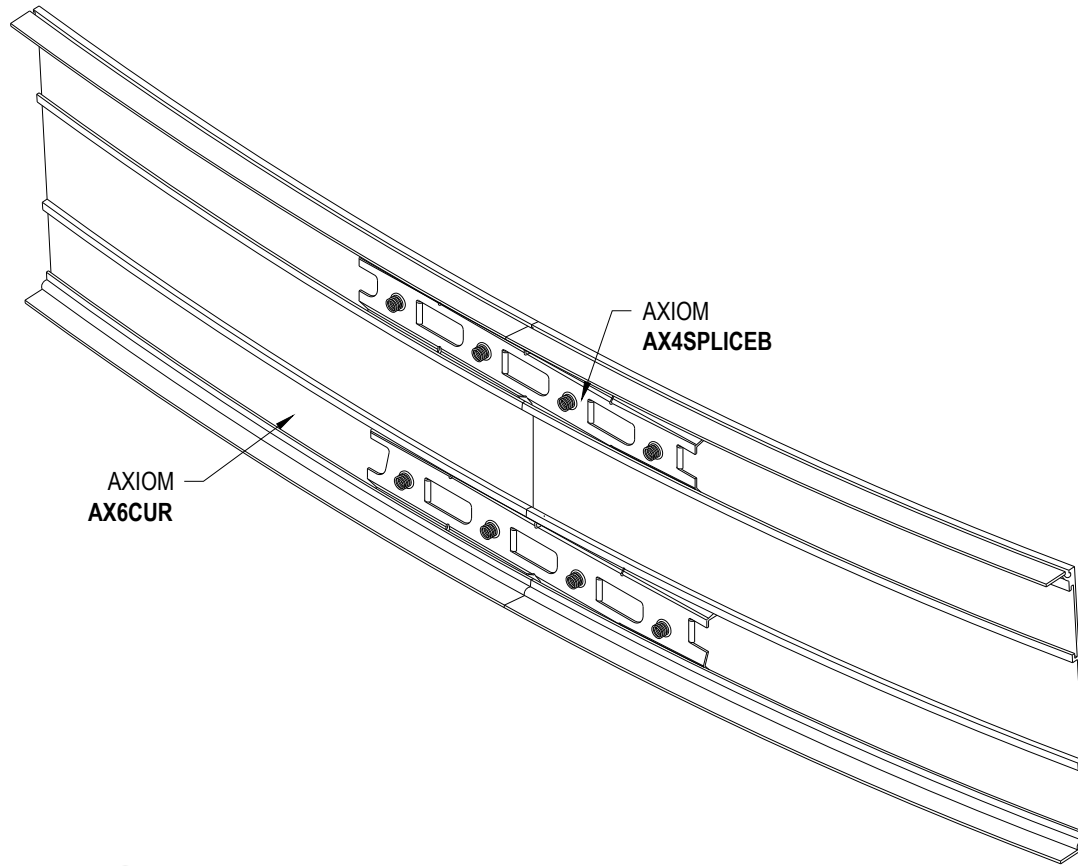
DD-07
AXIOM TRIM SPLICED

These drawings show typical conditions in which the Armstrong product depicted is installed. They are not a substitute for an architect's or engineer's plan and do not reflect the unique requirements of local building codes, laws, statutes, ordinances, rules and regulations (Legal Requirements) that may be applicable for a particular installation.

Armstrong does not warrant, and assumes no liability for the accuracy or completeness of the drawings for a particular installation or their fitness for a particular purpose. The user is advised to consult with a duly licensed architect or engineer in the particular locale of the installation to assure compliance with all Legal Requirements.

Armstrong is not licensed to provide professional architecture or engineering design services.

PROJECT NAME: AXIOM CLASSIC MASTER SHEET AXIOM TRIM SPLICED		REV: .	DATE: .
DWG. NO. A-A005-DD-07			
DATE: 1/7/25	SCALE: 6"=1'-0"	DESC.: .	
DRAWN BY: DAG	CHK BY: .		



DD-08
CURVED AXIOM CONNECTION

These drawings show typical conditions in which the Armstrong product depicted is installed. They are not a substitute for an architect's or engineer's plan and do not reflect the unique requirements of local building codes, laws, statutes, ordinances, rules and regulations (Legal Requirements) that may be applicable for a particular installation.

Armstrong does not warrant, and assumes no liability for the accuracy or completeness of the drawings for a particular installation or their fitness for a particular purpose. The user is advised to consult with a duly licensed architect or engineer in the particular locale of the installation to assure compliance with all Legal Requirements.

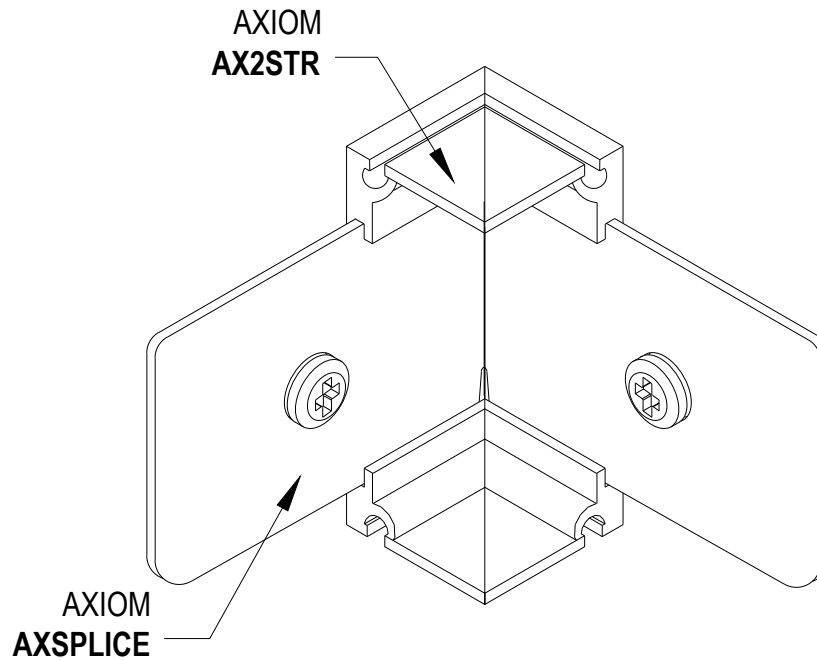
Armstrong is not licensed to provide professional architecture or engineering design services.

PROJECT NAME: AXIOM CLASSIC MASTER SHEET CURVED AXIOM CONNECTION		REV: .	DATE: .
DWG. NO. A-A005-DD-08			
DATE: 1/7/25	SCALE: 3"=1'-0"	DESC.: .	
DRAWN BY: DAG	CHK BY: .		



CEILING & WALL SOLUTIONS * ARMSTRONG WORLD INDUSTRIES, INC. * Lancaster, PA * Phone: 877-ARMSTRONG





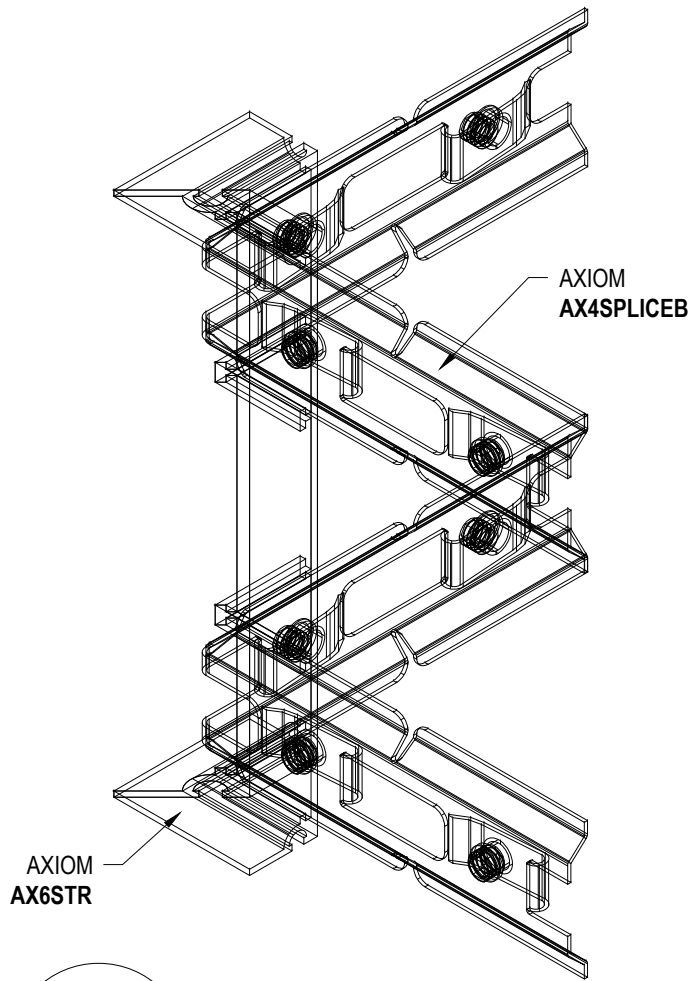
DD-09 AXIOM OUTSIDE CORNER POST

These drawings show typical conditions in which the Armstrong product depicted is installed. They are not a substitute for an architect's or engineer's plan and do not reflect the unique requirements of local building codes, laws, statutes, ordinances, rules and regulations (Legal Requirements) that may be applicable for a particular installation.

Armstrong does not warrant, and assumes no liability for the accuracy or completeness of the drawings for a particular installation or their fitness for a particular purpose. The user is advised to consult with a duly licensed architect or engineer in the particular locale of the installation to assure compliance with all Legal Requirements.

Armstrong is not licensed to provide professional architecture or engineering design services.

PROJECT NAME:		AXIOM CLASSIC MASTER SHEET AXIOM OUTSIDE CORNER POST	
DWG. NO. A-A005-DD-09		REV: .	DATE: .
DATE: 1/7/25	SCALE: 1'-0"=1'-0"	DESC.: .	
DRAWN BY: DAG	CHK BY: .		



DD-10

AXIOM INSIDE CORNER POST

These drawings show typical conditions in which the Armstrong product depicted is installed. They are not a substitute for an architect's or engineer's plan and do not reflect the unique requirements of local building codes, laws, statutes, ordinances, rules and regulations (Legal Requirements) that may be applicable for a particular installation.

Armstrong does not warrant, and assumes no liability for the accuracy or completeness of the drawings for a particular installation or their fitness for a particular purpose. The user is advised to consult with a duly licensed architect or engineer in the particular locale of the installation to assure compliance with all Legal Requirements.

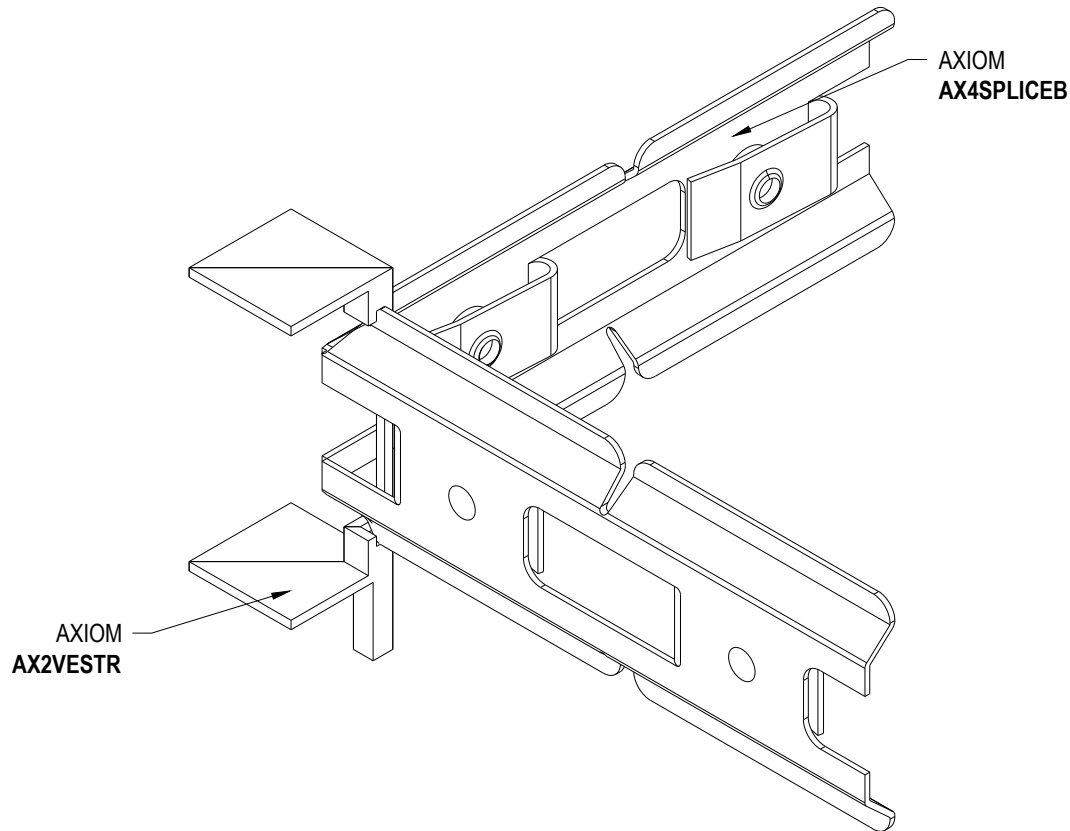
Armstrong is not licensed to provide professional architecture or engineering design services.

PROJECT NAME:		AXIOM CLASSIC MASTER SHEET AXIOM INSIDE CORNER POST	
DWG. NO. A-A005-DD-10		REV: .	DATE: .
DATE: 1/7/25	SCALE: 6"=1'-0"	DESC.: .	
DRAWN BY: DAG	CHK BY: .		



CEILING & WALL SOLUTIONS * ARMSTRONG WORLD INDUSTRIES, INC. * Lancaster, PA * Phone: 877-ARMSTRONG





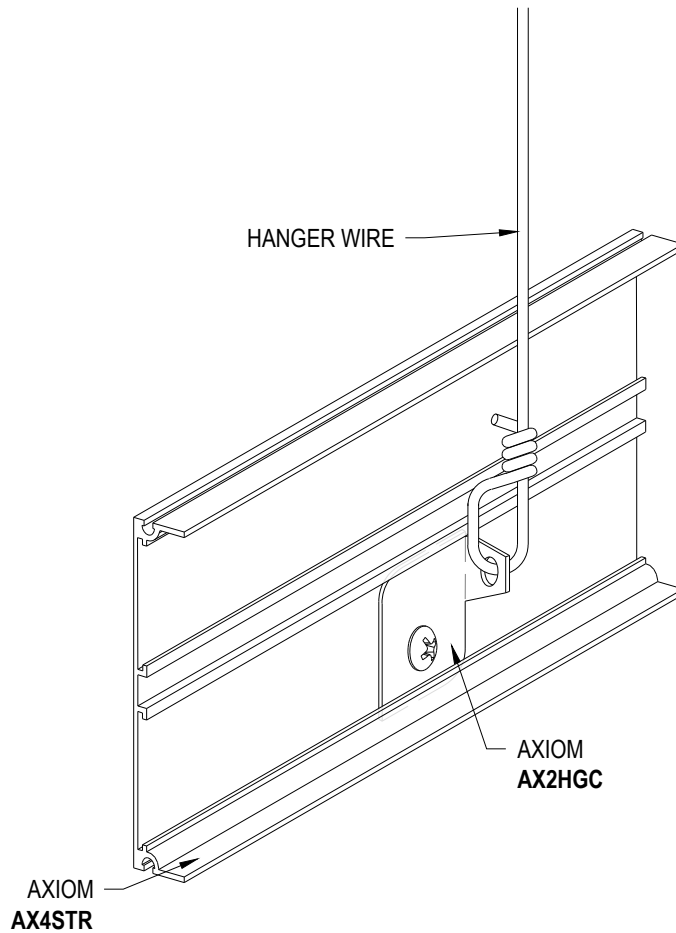
DD-11 AXIOM VECTOR INSIDE CORNER POST

These drawings show typical conditions in which the Armstrong product depicted is installed. They are not a substitute for an architect's or engineer's plan and do not reflect the unique requirements of local building codes, laws, statutes, ordinances, rules and regulations (Legal Requirements) that may be applicable for a particular installation.

Armstrong does not warrant, and assumes no liability for the accuracy or completeness of the drawings for a particular installation or their fitness for a particular purpose. The user is advised to consult with a duly licensed architect or engineer in the particular locale of the installation to assure compliance with all Legal Requirements.

Armstrong is not licensed to provide professional architecture or engineering design services.

PROJECT NAME: AXIOM CLASSIC MASTER SHEET AXIOM VECTOR INSIDE CORNER POST			
DWG. NO. A-A005-DD-11		REV: .	DATE: .
DATE: 1/7/25	SCALE: 1'-0"=1'-0"	DESC.: .	
DRAWN BY: DAG	CHK BY: .		



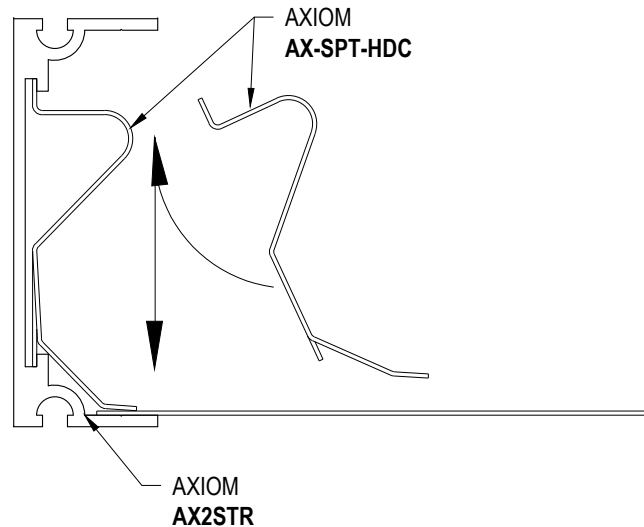
DD-12 AX2HGC

These drawings show typical conditions in which the Armstrong product depicted is installed. They are not a substitute for an architect's or engineer's plan and do not reflect the unique requirements of local building codes, laws, statutes, ordinances, rules and regulations (Legal Requirements) that may be applicable for a particular installation.

Armstrong does not warrant, and assumes no liability for the accuracy or completeness of the drawings for a particular installation or their fitness for a particular purpose. The user is advised to consult with a duly licensed architect or engineer in the particular locale of the installation to assure compliance with all Legal Requirements.

Armstrong is not licensed to provide professional architecture or engineering design services.

PROJECT NAME: AXIOM CLASSIC MASTER SHEET AX2HGC		REV: .	DATE: .
DWG. NO. A-A005-DD-12			
DATE: 1/7/25	SCALE: 6"=1'-0"	DESC.: .	
DRAWN BY: DAG	CHK BY: .		



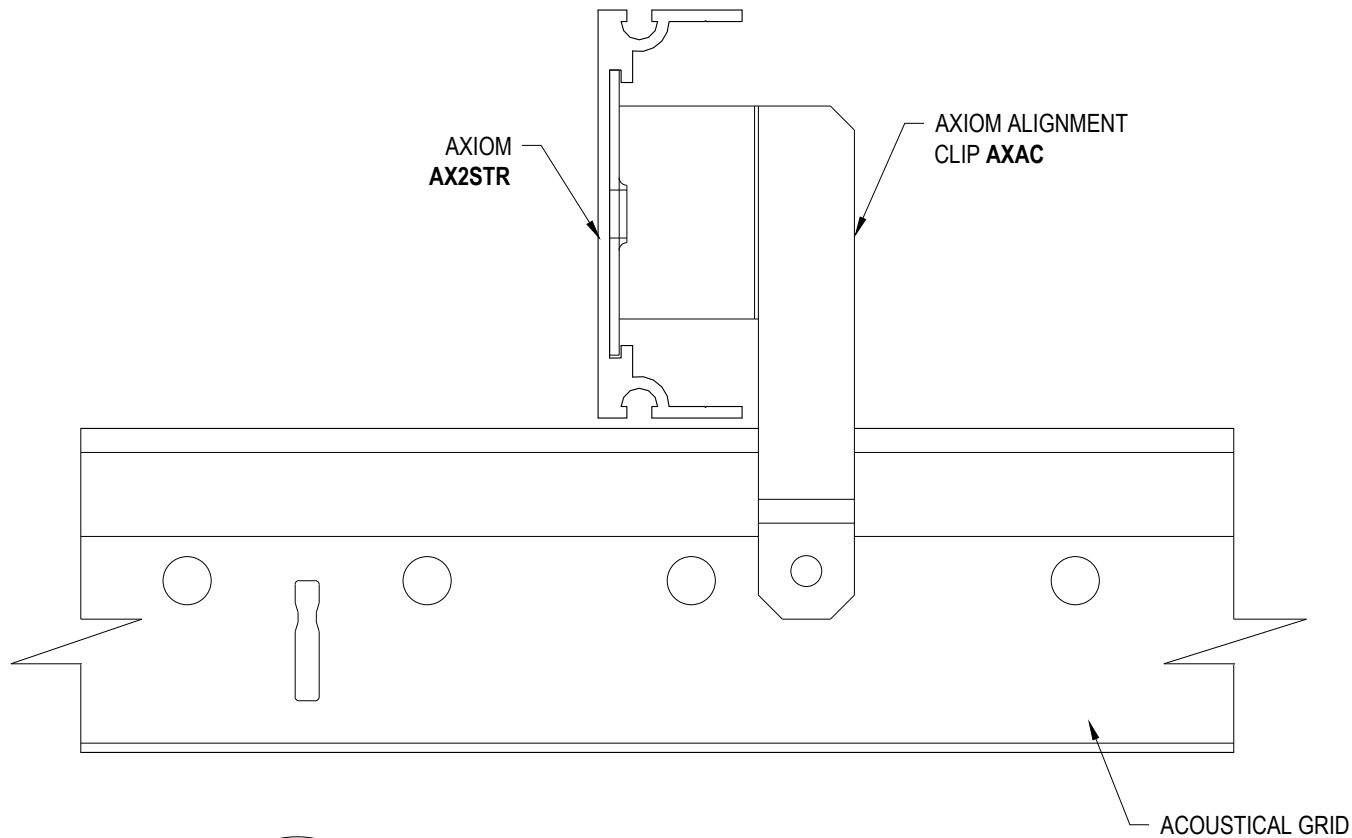
DD-13 AX-SPT-HDC

These drawings show typical conditions in which the Armstrong product depicted is installed. They are not a substitute for an architect's or engineer's plan and do not reflect the unique requirements of local building codes, laws, statutes, ordinances, rules and regulations (Legal Requirements) that may be applicable for a particular installation.

Armstrong does not warrant, and assumes no liability for the accuracy or completeness of the drawings for a particular installation or their fitness for a particular purpose. The user is advised to consult with a duly licensed architect or engineer in the particular locale of the installation to assure compliance with all Legal Requirements.

Armstrong is not licensed to provide professional architecture or engineering design services.

PROJECT NAME: AXIOM CLASSIC MASTER SHEET AX-SPT-HDC		REV: .	DATE: .
DWG. NO. A-A005-DD-13			
DATE: 1/7/25	SCALE: 1'-0"=1'-0"	DESC.: .	
DRAWN BY: DAG	CHK BY: .		



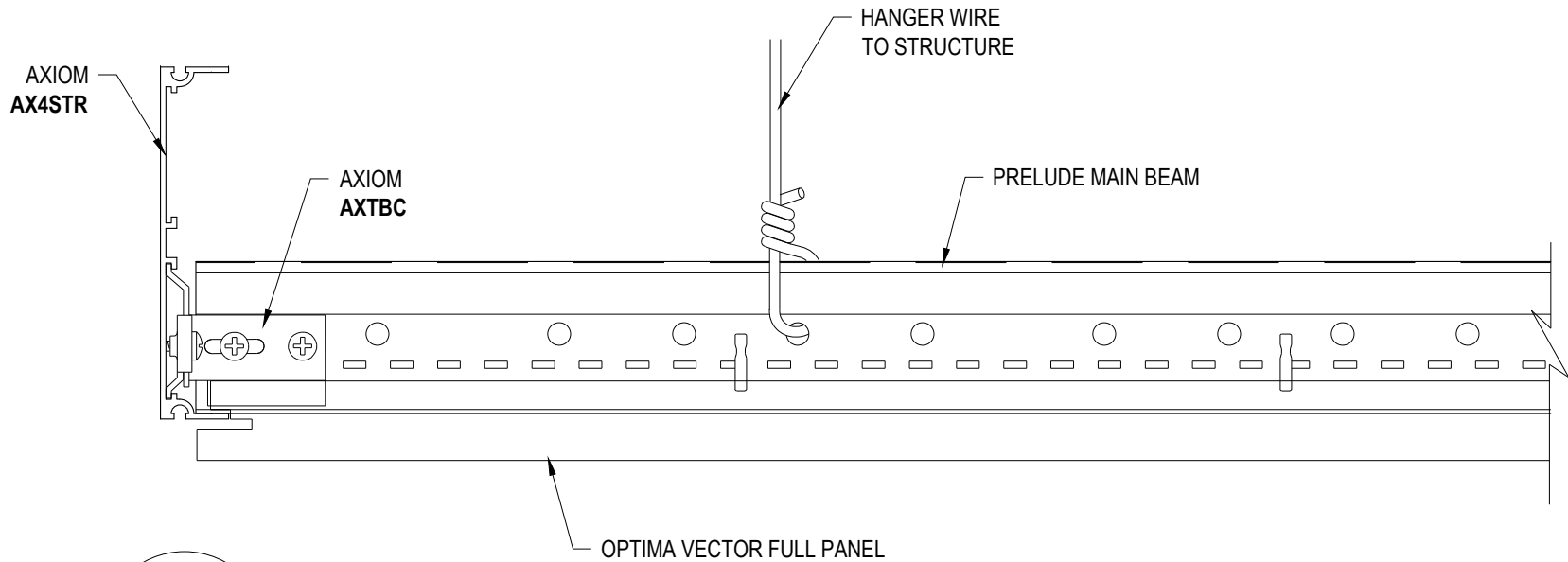
DD-14 AXIOM ALIGNMENT CLIP

These drawings show typical conditions in which the Armstrong product depicted is installed. They are not a substitute for an architect's or engineer's plan and do not reflect the unique requirements of local building codes, laws, statutes, ordinances, rules and regulations (Legal Requirements) that may be applicable for a particular installation.

Armstrong does not warrant, and assumes no liability for the accuracy or completeness of the drawings for a particular installation or their fitness for a particular purpose. The user is advised to consult with a duly licensed architect or engineer in the particular locale of the installation to assure compliance with all Legal Requirements.

Armstrong is not licensed to provide professional architecture or engineering design services.

PROJECT NAME:		AXIOM CLASSIC MASTER SHEET AXIOM ALIGNMENT CLIP	
DWG. NO. A-A005-DD-14		REV: .	DATE: .
DATE: 1/7/25	SCALE: 1'-0"=1'-0"	DESC.: .	
DRAWN BY: DAG	CHK BY: .		



DD-15 PRELUDE MAIN WITH AXIOM

These drawings show typical conditions in which the Armstrong product depicted is installed. They are not a substitute for an architect's or engineer's plan and do not reflect the unique requirements of local building codes, laws, statutes, ordinances, rules and regulations (Legal Requirements) that may be applicable for a particular installation.

Armstrong does not warrant, and assumes no liability for the accuracy or completeness of the drawings for a particular installation or their fitness for a particular purpose. The user is advised to consult with a duly licensed architect or engineer in the particular locale of the installation to assure compliance with all Legal Requirements.

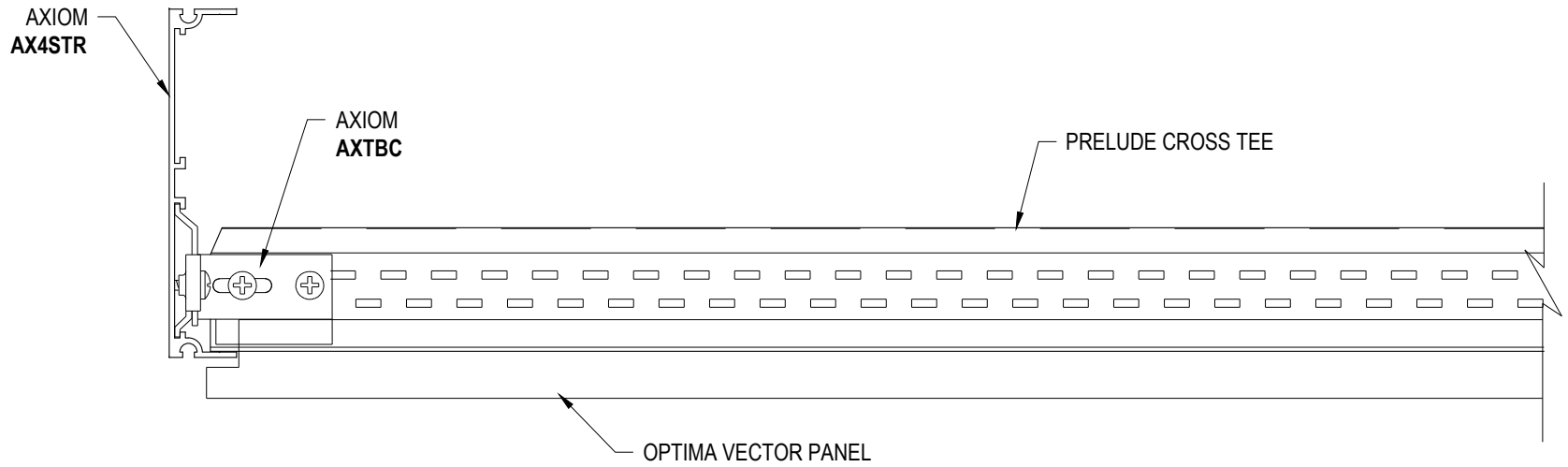
Armstrong is not licensed to provide professional architecture or engineering design services.

PROJECT NAME:		AXIOM CLASSIC MASTER SHEET PRELUDE MAIN WITH AXIOM	
DWG. NO. A-A005-DD-15		REV: .	DATE: .
DATE: 1/7/25	SCALE: 6"=1'-0"	DESC.: .	
DRAWN BY: DAG	CHK BY: .		



CEILING & WALL SOLUTIONS * ARMSTRONG WORLD INDUSTRIES, INC. * Lancaster, PA * Phone: 877-ARMSTRONG





DD-16 PRELUDE CROSS TEE WITH AXIOM

These drawings show typical conditions in which the Armstrong product depicted is installed. They are not a substitute for an architect's or engineer's plan and do not reflect the unique requirements of local building codes, laws, statutes, ordinances, rules and regulations (Legal Requirements) that may be applicable for a particular installation.

Armstrong does not warrant, and assumes no liability for the accuracy or completeness of the drawings for a particular installation or their fitness for a particular purpose. The user is advised to consult with a duly licensed architect or engineer in the particular locale of the installation to assure compliance with all Legal Requirements.

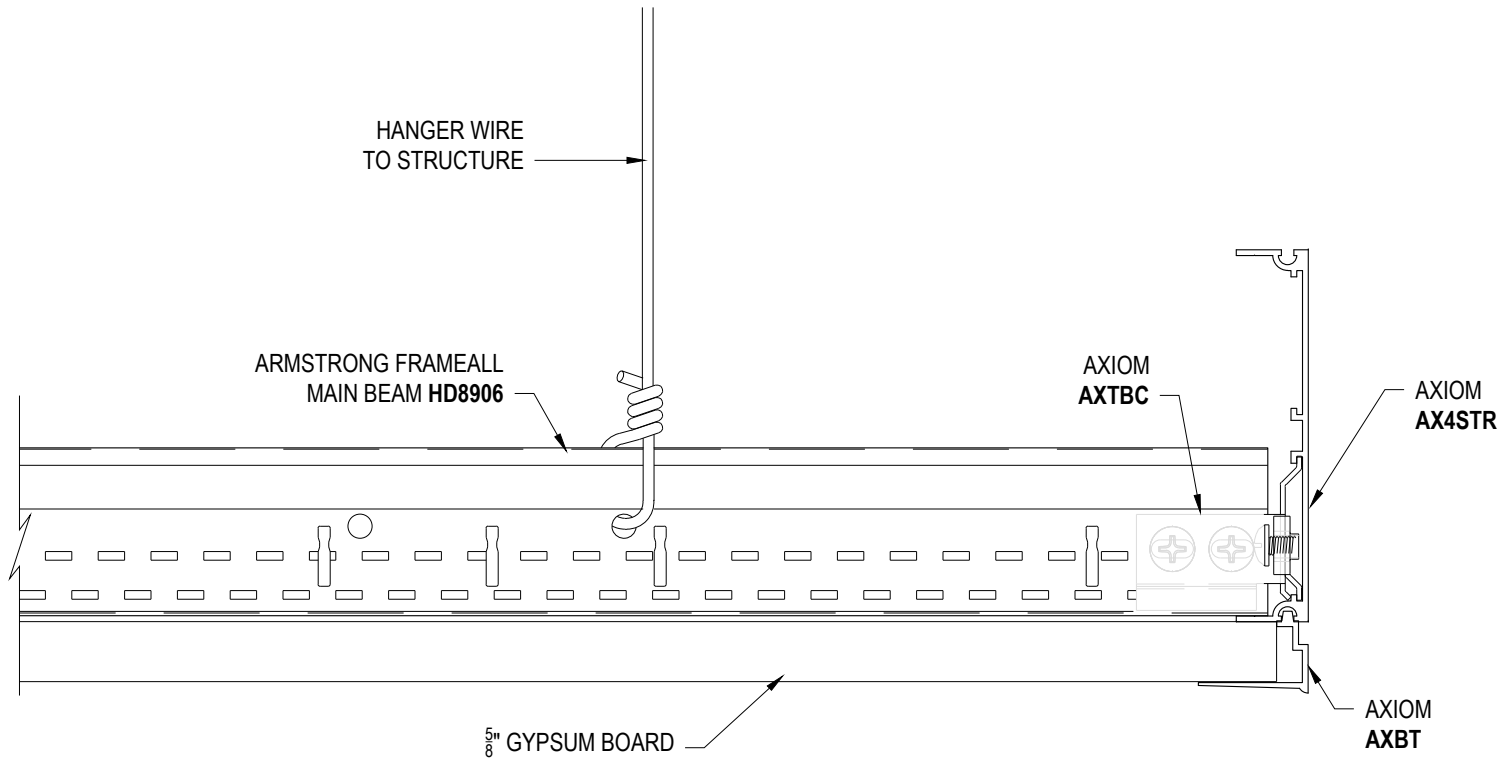
Armstrong is not licensed to provide professional architecture or engineering design services.

PROJECT NAME:		AXIOM CLASSIC MASTER SHEET PRELUDE CROSS TEE WITH AXIOM	
DWG. NO. A-A005-DD-16		REV: .	DATE: .
DATE: 1/7/25	SCALE: 6"=1'-0"	DESC.: .	
DRAWN BY: DAG	CHK BY: .		



CEILING & WALL SOLUTIONS * ARMSTRONG WORLD INDUSTRIES, INC. * Lancaster, PA * Phone: 877-ARMSTRONG





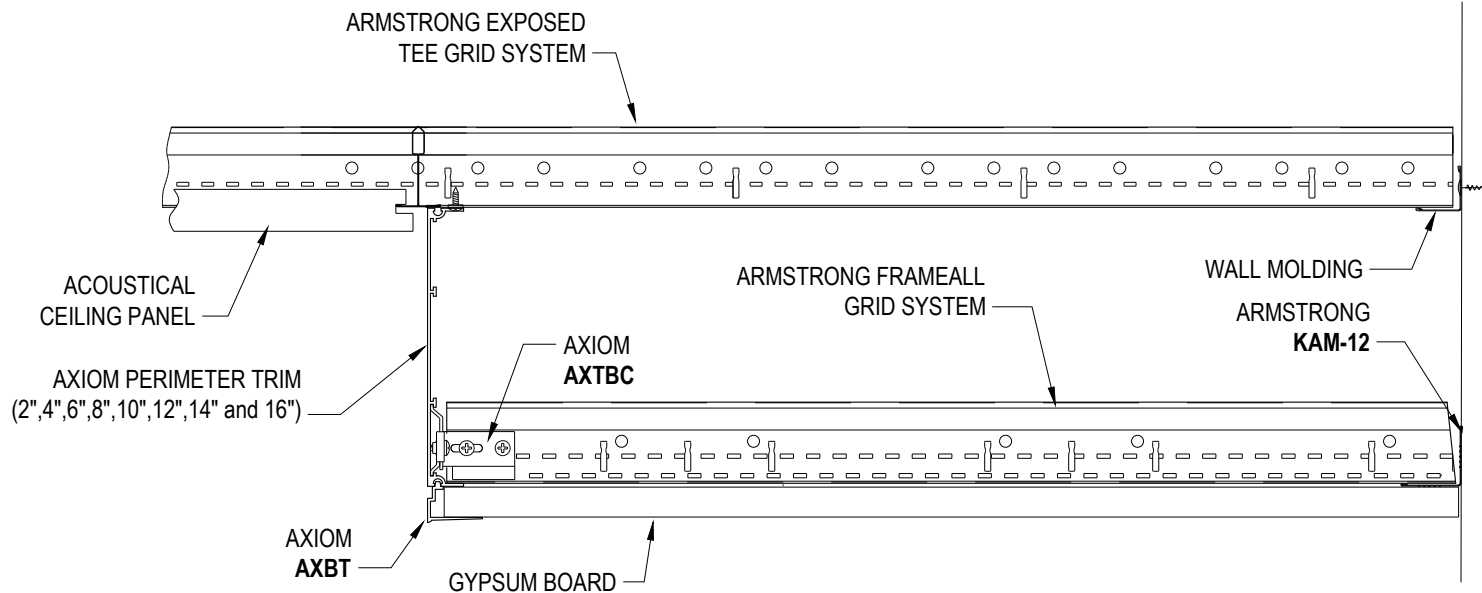
DD-17 AXIOM CLASSIC WITH BOTTOM TRIM

These drawings show typical conditions in which the Armstrong product depicted is installed. They are not a substitute for an architect's or engineer's plan and do not reflect the unique requirements of local building codes, laws, statutes, ordinances, rules and regulations (Legal Requirements) that may be applicable for a particular installation.

Armstrong does not warrant, and assumes no liability for the accuracy or completeness of the drawings for a particular installation or their fitness for a particular purpose. The user is advised to consult with a duly licensed architect or engineer in the particular locale of the installation to assure compliance with all Legal Requirements.

Armstrong is not licensed to provide professional architecture or engineering design services.

PROJECT NAME: AXIOM CLASSIC MASTER SHEET AXIOM CLASSIC WITH BOTTOM TRIM		REV: .	DATE: .
DWG. NO. A-A005-DD-17		SCALE: 6"=1'-0"	DESC.: .
DATE: 1/7/25	DRAWN BY: DAG	CHK BY: .	



DD-18 AXIOM DRYWALL PERIMETER SOFFIT

These drawings show typical conditions in which the Armstrong product depicted is installed. They are not a substitute for an architect's or engineer's plan and do not reflect the unique requirements of local building codes, laws, statutes, ordinances, rules and regulations (Legal Requirements) that may be applicable for a particular installation.

Armstrong does not warrant, and assumes no liability for the accuracy or completeness of the drawings for a particular installation or their fitness for a particular purpose. The user is advised to consult with a duly licensed architect or engineer in the particular locale of the installation to assure compliance with all Legal Requirements.

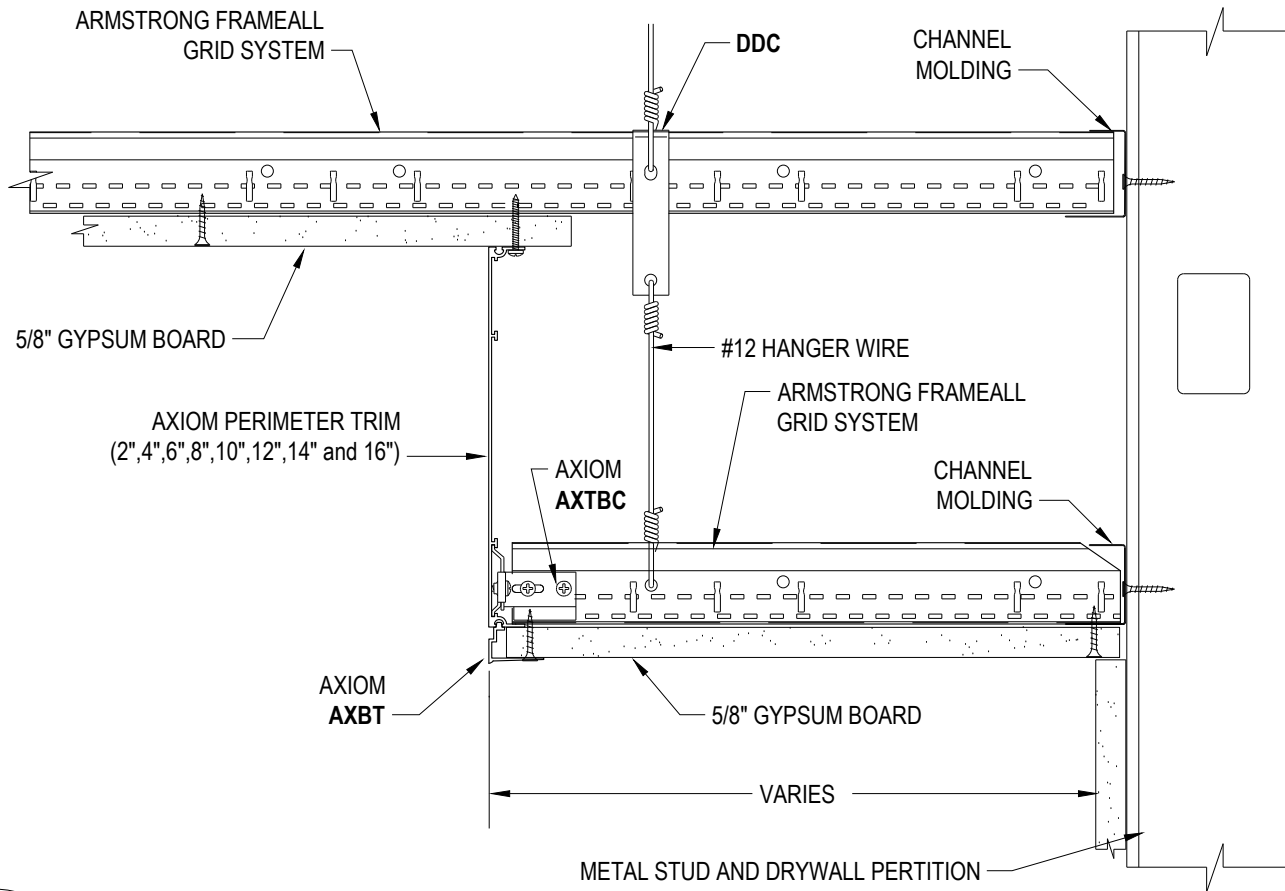
Armstrong is not licensed to provide professional architecture or engineering design services.

PROJECT NAME: AXIOM CLASSIC MASTER SHEET AXIOM DRYWALL PERIMETER SOFFIT			
DWG. NO. A-A005-DD-18		REV: .	DATE: .
DATE: 1/7/25	SCALE: 3"=1'-0"	DESC.: .	
DRAWN BY: DAG	CHK BY: .		



CEILING & WALL SOLUTIONS * ARMSTRONG WORLD INDUSTRIES, INC. * Lancaster, PA * Phone: 877-ARMSTRONG





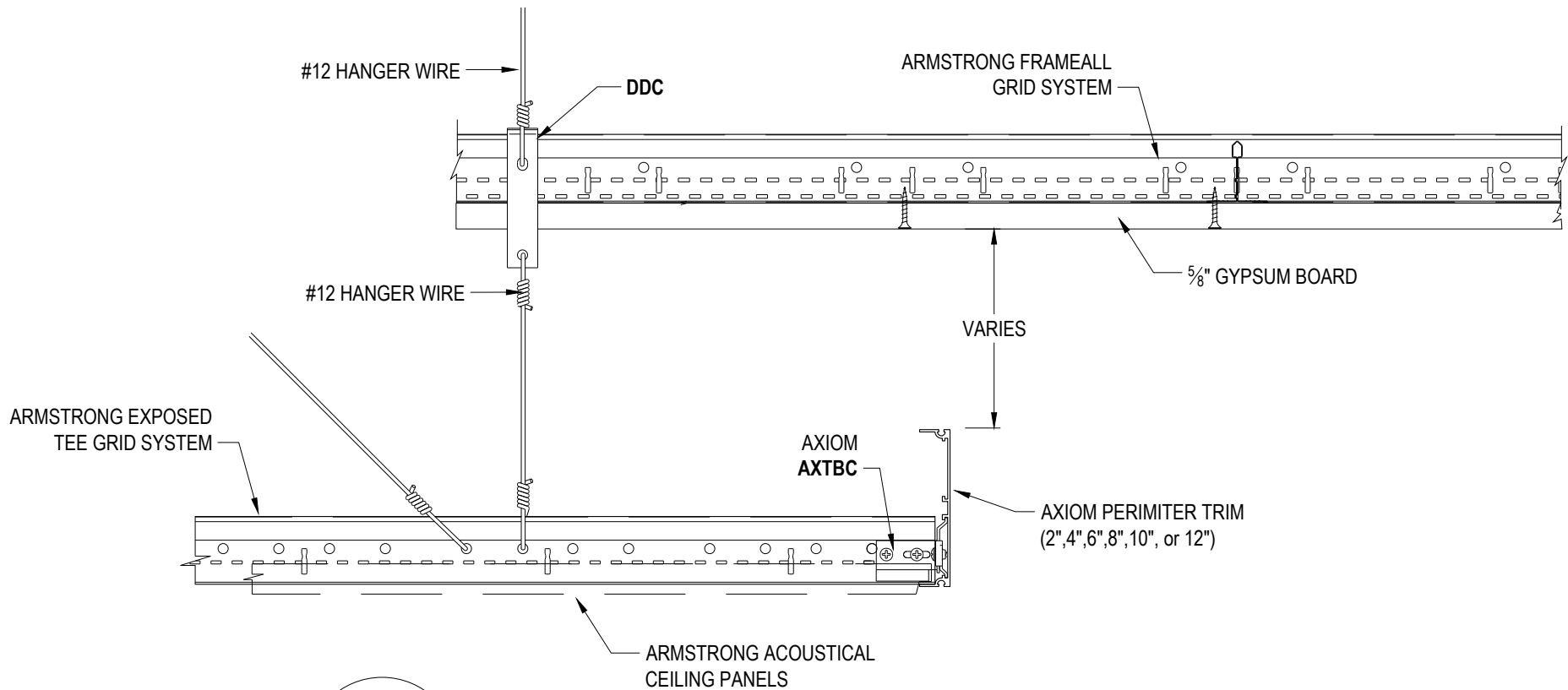
DD-19 AXIOM SOFFIT DRYWALL TO DRYWALL

These drawings show typical conditions in which the Armstrong product depicted is installed. They are not a substitute for an architect's or engineer's plan and do not reflect the unique requirements of local building codes, laws, statutes, ordinances, rules and regulations (Legal Requirements) that may be applicable for a particular installation.

Armstrong does not warrant, and assumes no liability for the accuracy or completeness of the drawings for a particular installation or their fitness for a particular purpose. The user is advised to consult with a duly licensed architect or engineer in the particular locale of the installation to assure compliance with all Legal Requirements.

Armstrong is not licensed to provide professional architecture or engineering design services.

PROJECT NAME: AXIOM CLASSIC MASTER SHEET AXIOM SOFFIT DRYWALL TO DRYWALL			
DWG. NO. A-A005-DD-19		REV: .	DATE: .
DATE: 1/7/25	SCALE: 3"=1'-0"	DESC.: .	
DRAWN BY: DAG	CHK BY: .		



DD-20

AXIOM SOFFIT DRYWALL TO ACOUSTICAL

These drawings show typical conditions in which the Armstrong product depicted is installed. They are not a substitute for an architect's or engineer's plan and do not reflect the unique requirements of local building codes, laws, statutes, ordinances, rules and regulations (Legal Requirements) that may be applicable for a particular installation.

Armstrong does not warrant, and assumes no liability for the accuracy or completeness of the drawings for a particular installation or their fitness for a particular purpose. The user is advised to consult with a duly licensed architect or engineer in the particular locale of the installation to assure compliance with all Legal Requirements.

Armstrong is not licensed to provide professional architecture or engineering design services.

PROJECT NAME: **AXIOM CLASSIC MASTER SHEET
AXIOM SOFFIT DRYWALL TO ACOUSTICAL**

DWG. NO. **A-A005-DD-20**

REV: . DATE: .

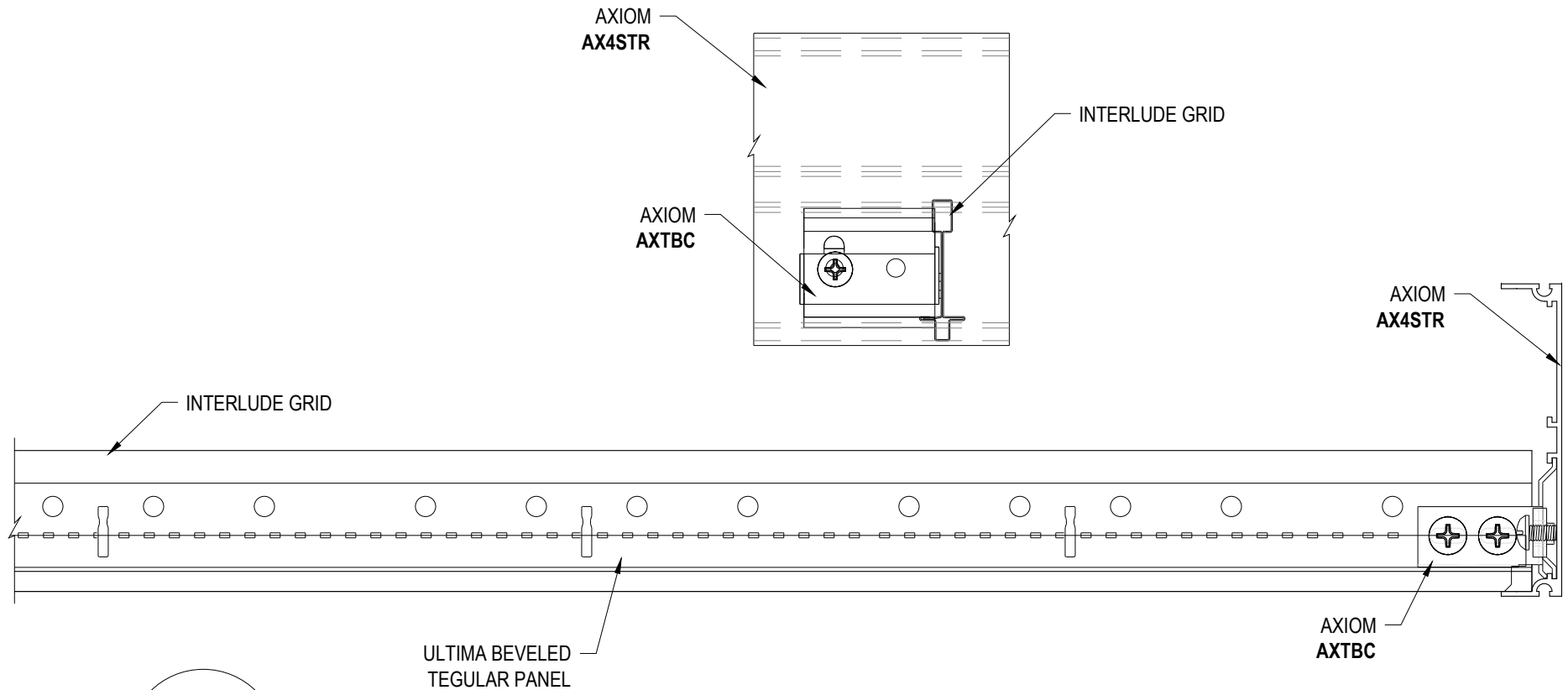
DATE: **1/7/25**

SCALE: **3"=1'-0"**

DESC.: .

DRAWN BY: **DAG**

CHK BY: .



DD-21 AXIOM CLASSIC INSTALLATION WITH INTERLUDE

These drawings show typical conditions in which the Armstrong product depicted is installed. They are not a substitute for an architect's or engineer's plan and do not reflect the unique requirements of local building codes, laws, statutes, ordinances, rules and regulations (Legal Requirements) that may be applicable for a particular installation.

Armstrong does not warrant, and assumes no liability for the accuracy or completeness of the drawings for a particular installation or their fitness for a particular purpose. The user is advised to consult with a duly licensed architect or engineer in the particular locale of the installation to assure compliance with all Legal Requirements.

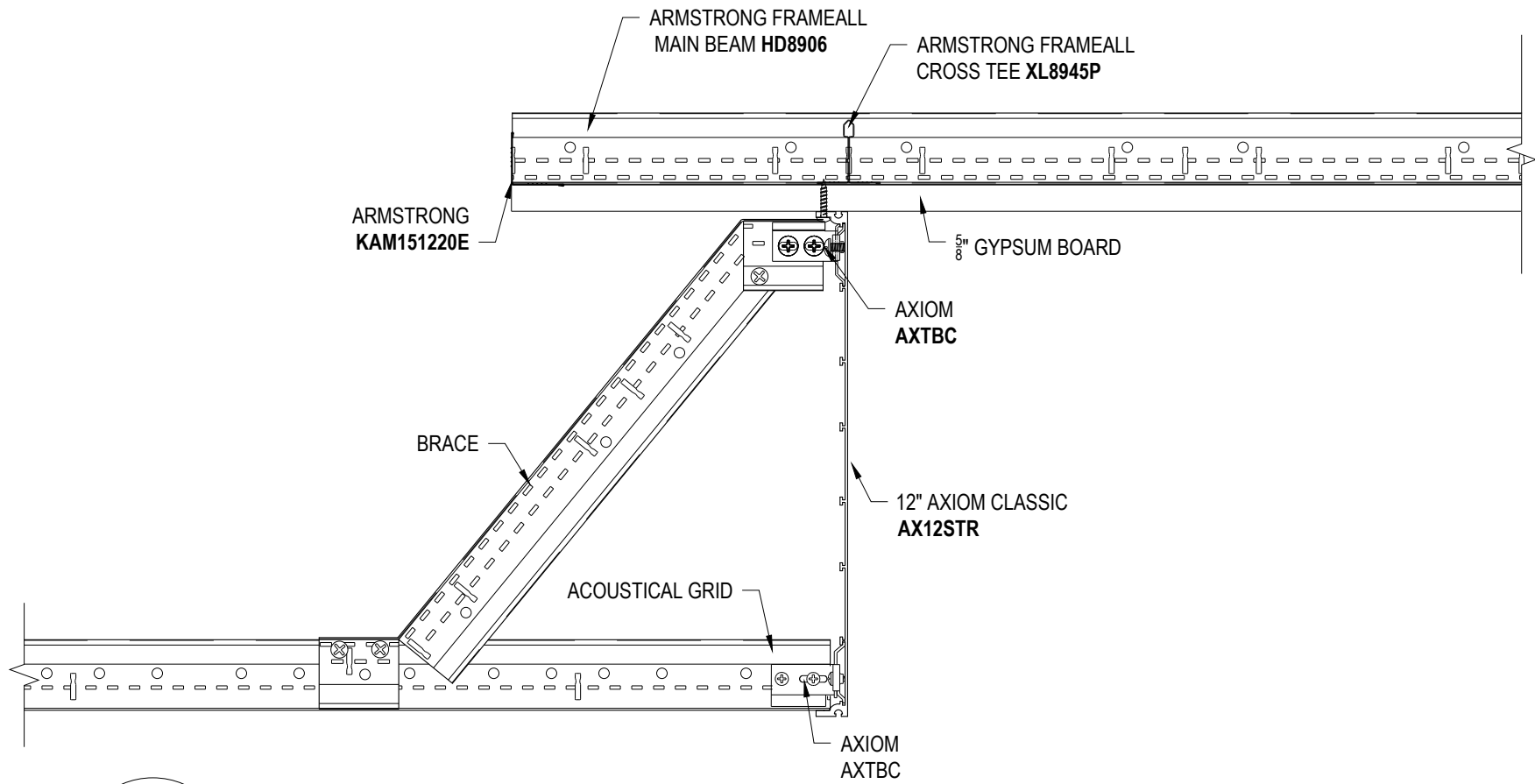
Armstrong is not licensed to provide professional architecture or engineering design services.

PROJECT NAME: AXIOM CLASSIC MASTER SHEET			
AXIOM CLASSIC INSTALLATION WITH INTERLUDE			
DWG. NO. A-A005-DD-21	REV: .	DATE: .	
DATE: 1/7/25	SCALE: 3"=1'-0"	DESC.: .	
DRAWN BY: DAG	CHK BY: .		



CEILING & WALL SOLUTIONS * ARMSTRONG WORLD INDUSTRIES, INC. * Lancaster, PA * Phone: 877-ARMSTRONG





DD-22

AXIOM CLASSIC WITH DRYWALL UPPER CEILING

These drawings show typical conditions in which the Armstrong product depicted is installed. They are not a substitute for an architect's or engineer's plan and do not reflect the unique requirements of local building codes, laws, statutes, ordinances, rules and regulations (Legal Requirements) that may be applicable for a particular installation.

Armstrong does not warrant, and assumes no liability for the accuracy or completeness of the drawings for a particular installation or their fitness for a particular purpose. The user is advised to consult with a duly licensed architect or engineer in the particular locale of the installation to assure compliance with all Legal Requirements.

Armstrong is not licensed to provide professional architecture or engineering design services.

PROJECT NAME: **AXIOM CLASSIC MASTER SHEET**
AXIOM CLASSIC WITH DRYWALL UPPER CEILING

DWG. NO. **A-A005-DD-22**

REV: . DATE: .

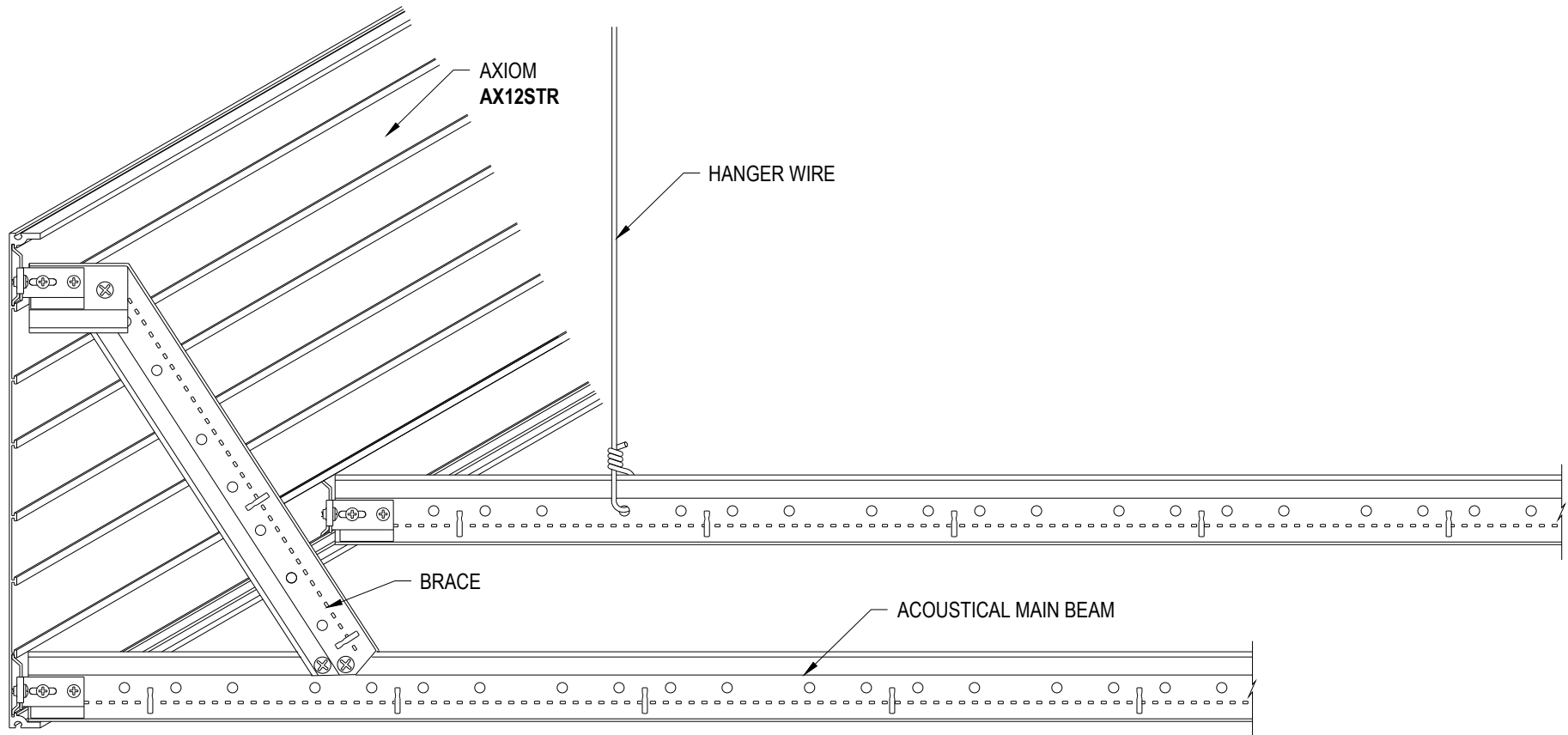
DATE: **1/7/25**

SCALE: **3"=1'-0"**

DESC.: .

DRAWN BY: **DAG**

CHK BY: .



DD-23 ACOUSTICAL WITH 12" AXIOM CLASSIC

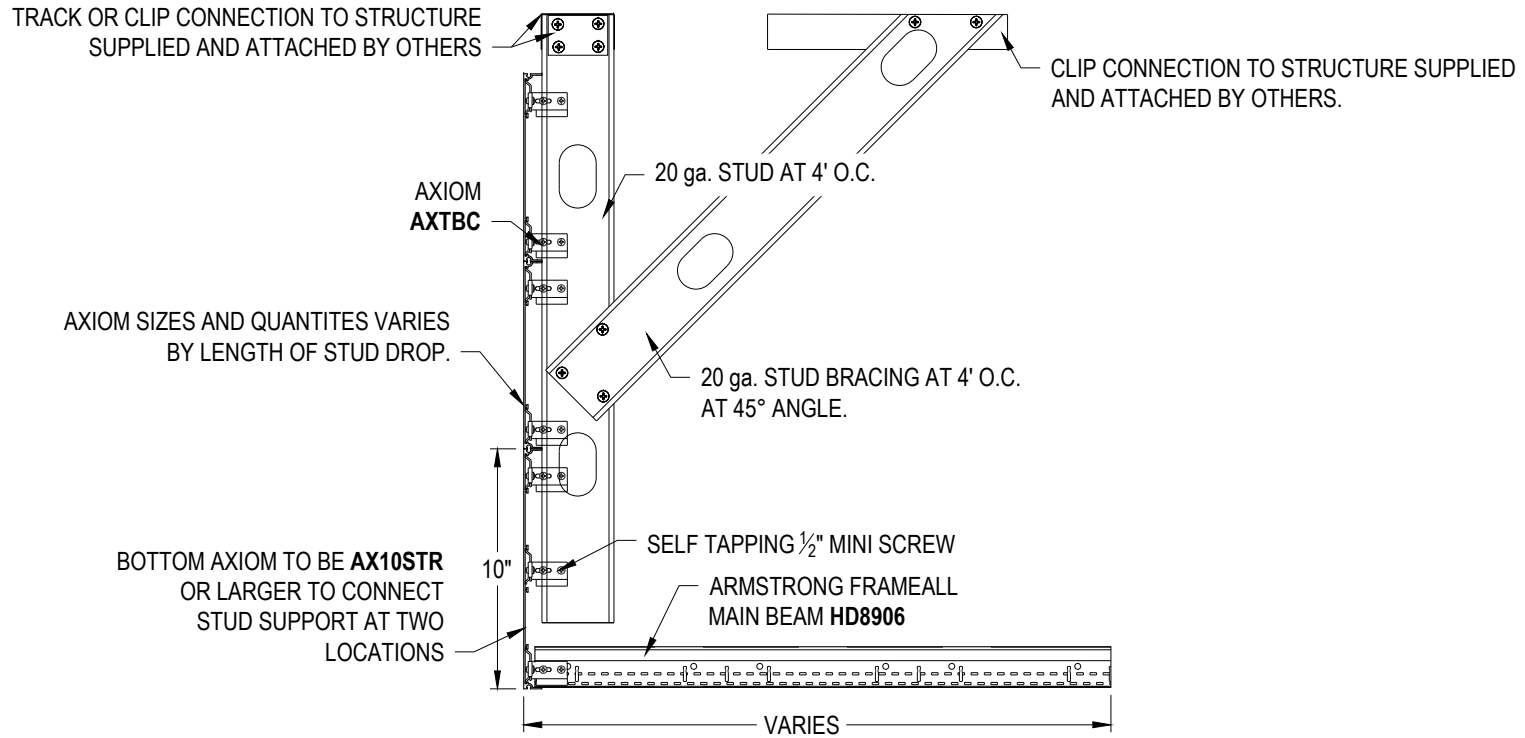
These drawings show typical conditions in which the Armstrong product depicted is installed. They are not a substitute for an architect's or engineer's plan and do not reflect the unique requirements of local building codes, laws, statutes, ordinances, rules and regulations (Legal Requirements) that may be applicable for a particular installation.

Armstrong does not warrant, and assumes no liability for the accuracy or completeness of the drawings for a particular installation or their fitness for a particular purpose. The user is advised to consult with a duly licensed architect or engineer in the particular locale of the installation to assure compliance with all Legal Requirements.

Armstrong is not licensed to provide professional architecture or engineering design services.

PROJECT NAME: AXIOM CLASSIC MASTER SHEET ACOUSTICAL WITH 12" AXIOM CLASSIC			
DWG. NO. A-A005-DD-23		REV: .	DATE: .
DATE: 1/7/25	SCALE: 3"=1'-0"	DESC.: .	
DRAWN BY: DAG	CHK BY: .		





DD-24 STACKED AXIOM ABOVE 18"

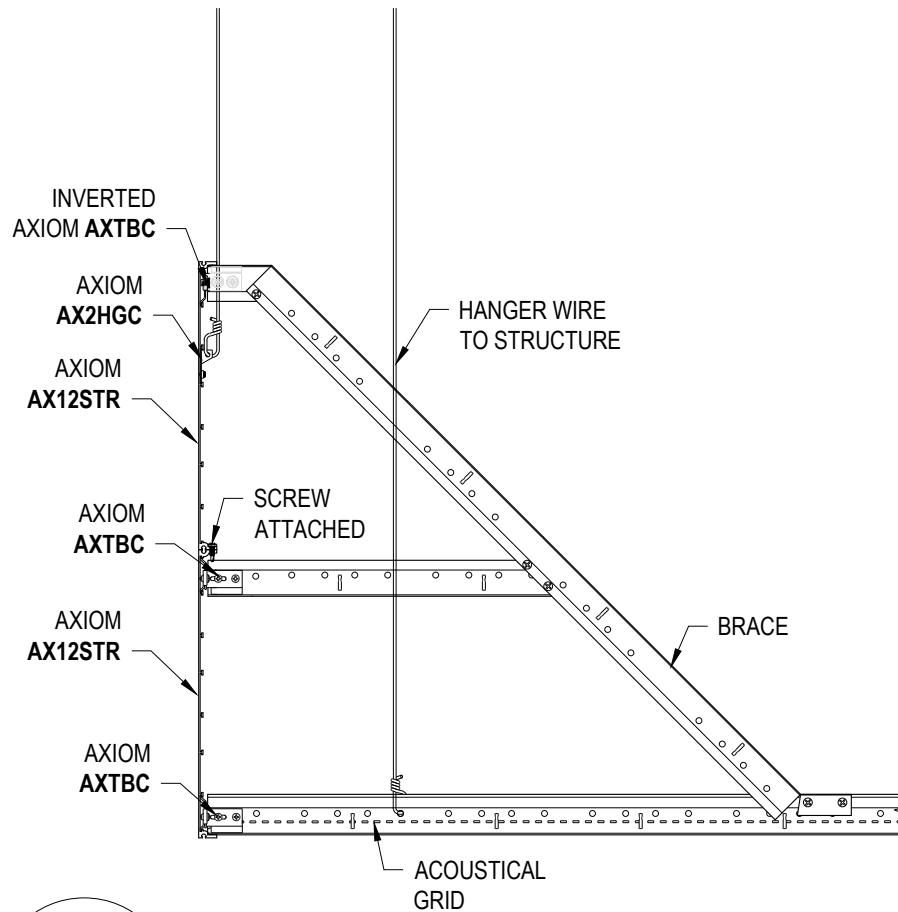
These drawings show typical conditions in which the Armstrong product depicted is installed. They are not a substitute for an architect's or engineer's plan and do not reflect the unique requirements of local building codes, laws, statutes, ordinances, rules and regulations (Legal Requirements) that may be applicable for a particular installation.

Armstrong does not warrant, and assumes no liability for the accuracy or completeness of the drawings for a particular installation or their fitness for a particular purpose. The user is advised to consult with a duly licensed architect or engineer in the particular locale of the installation to assure compliance with all Legal Requirements.

Armstrong is not licensed to provide professional architecture or engineering design services.

PROJECT NAME: AXIOM CLASSIC MASTER SHEET STACKED AXIOM ABOVE 18"		REV: .	DATE: .
DWG. NO. A-A005-DD-24			
DATE: 1/7/25	SCALE: 3"=1'-0"	DESC.: .	
DRAWN BY: DAG	CHK BY: .		





DD-25

AXIOM STACKED 12" CLASSIC WITH 12" CLASSIC

These drawings show typical conditions in which the Armstrong product depicted is installed. They are not a substitute for an architect's or engineer's plan and do not reflect the unique requirements of local building codes, laws, statutes, ordinances, rules and regulations (Legal Requirements) that may be applicable for a particular installation.

Armstrong does not warrant, and assumes no liability for the accuracy or completeness of the drawings for a particular installation or their fitness for a particular purpose. The user is advised to consult with a duly licensed architect or engineer in the particular locale of the installation to assure compliance with all Legal Requirements.

Armstrong is not licensed to provide professional architecture or engineering design services.

PROJECT NAME: AXIOM CLASSIC MASTER SHEET			
AXIOM STACKED 12" CLASSIC WITH 12" CLASSIC			
DWG. NO. A-A005-DD-25	REV: .	DATE: .	
DATE: 1/7/25	SCALE: 3"=1'-0"	DESC.: .	
DRAWN BY: DAG	CHK BY: .		



CEILING & WALL SOLUTIONS * ARMSTRONG WORLD INDUSTRIES, INC. * Lancaster, PA * Phone: 877-ARMSTRONG

