

AXIOM INDIRECT LIGHT COVES FOR SPECIALTY CEILINGS MASTER SHEET

SHEET #	DETAIL #	DRAWING
2	A-A011-MS-01	MASTER SHEET
3	A-A011-DD-01	AXIOM INDIRECT FIELD COVE AXIASLCC2 INSIDE CORNER
4	A-A011-DD-02	AXIOM INDIRECT FIELD COVE AXIASLCC2 OUTSIDE CORNER
5	A-A011-DD-03	AXIOM INDIRECT FIELD COVE AXIASLCW2 INSIDE CORNER
6	A-A011-DD-04	AXIOM INDIRECT FIELD COVE AXIASLCW2 OUTSIDE CORNER
7	A-A011-DD-05	AXIOM INDIRECT FIELD COVE AXIASLCCKE INSIDE CORNER
8	A-A011-DD-06	AXIOM INDIRECT FIELD COVE AXIASLCCKE OUTSIDE CORNER
9	A-A011-DD-07	AXIOM INDIRECT FIELD COVE AXIASLCWKE INSIDE CORNER
10	A-A011-DD-08	AXIOM INDIRECT FIELD COVE AXIASLCWKE OUTSIDE CORNER
11	A-A011-DD-09	CEILING TO CEILING CLASSIC ASSEMBLY
12	A-A011-DD-10	CEILING TO CEILING CLASSIC SEISMIC ASSEMBLY
13	A-A011-DD-11	CEILING TO WALL KNIFE EDGE ASSEMBLY
14	A-A011-DD-12	CEILING TO WALL KNIFE EDGE SEISMIC ASSEMBLY

These drawings show typical conditions in which the Armstrong product depicted is installed. They are not a substitute for an architect's or engineer's plan and do not reflect the unique requirements of local building codes, laws, statutes, ordinances, rules and regulations (Legal Requirements) that may be applicable for a particular installation.

Armstrong does not warrant, and assumes no liability for the accuracy or completeness of the drawings for a particular installation or their fitness for a particular purpose. The user is advised to consult with a duly licensed architect or engineer in the particular locale of the installation to assure compliance with all Legal Requirements.

Armstrong is not licensed to provide professional architecture or engineering design services.

PROJECT NAME: **AXIOM INDIRECT LIGHT COVES FOR SPECIALTY CEILINGS MASTER SHEET**

DWG. NO. **A-A011-MS-00**

REV: . DATE: .

DATE: **2/4/25**

SCALE:

DESC.: .

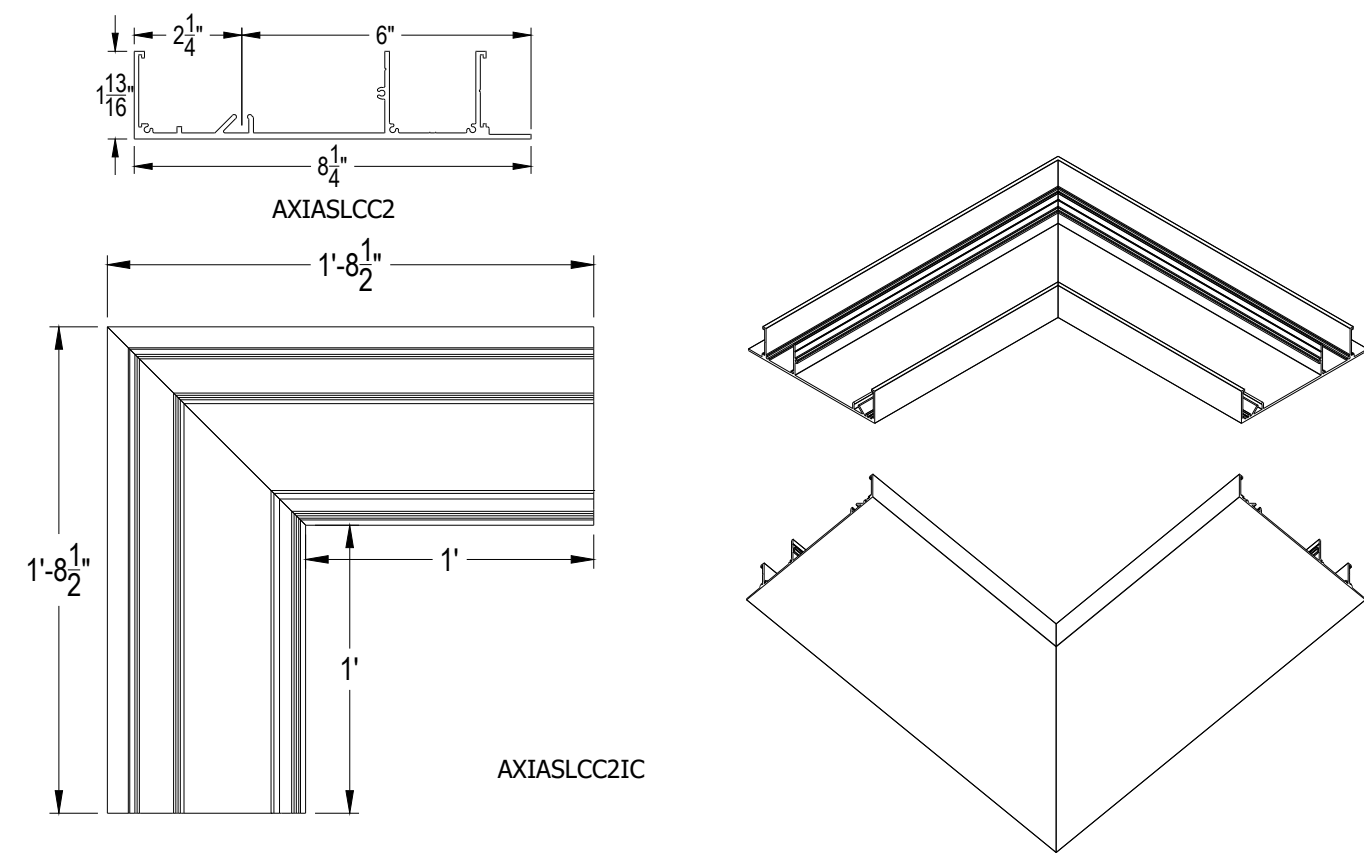
DRAWN BY: **DAG**

CHK BY: .

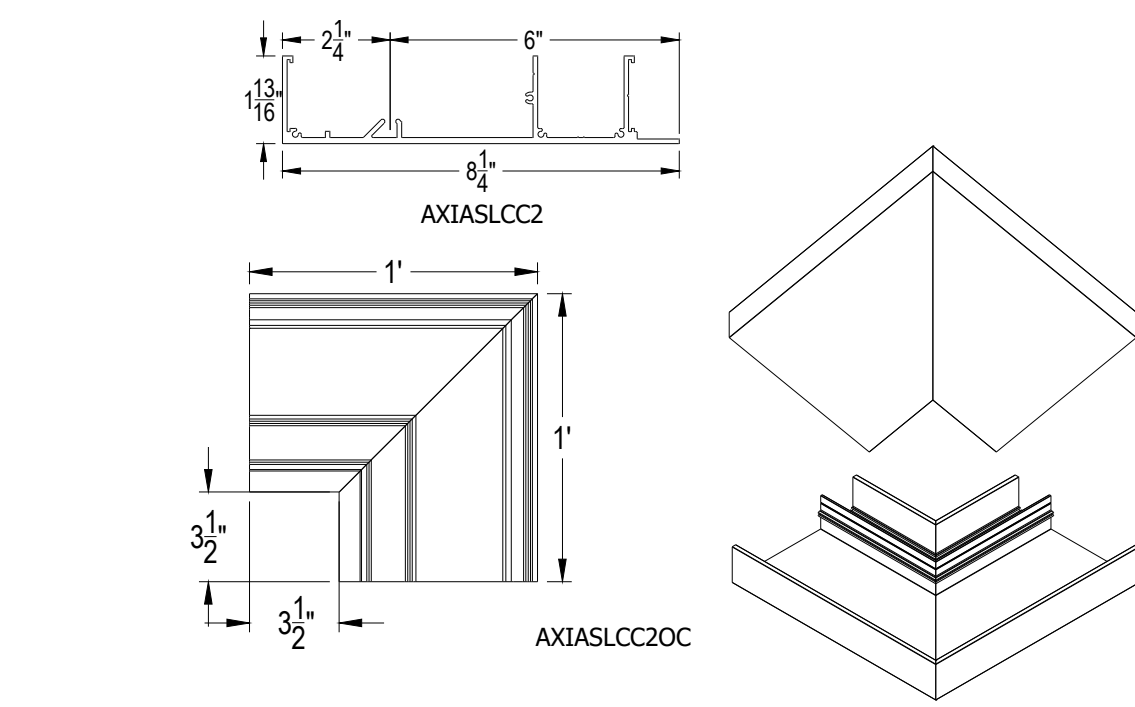


CEILING & WALL SOLUTIONS * ARMSTRONG WORLD INDUSTRIES, INC. * Lancaster, PA * Phone: 877-ARMSTRONG

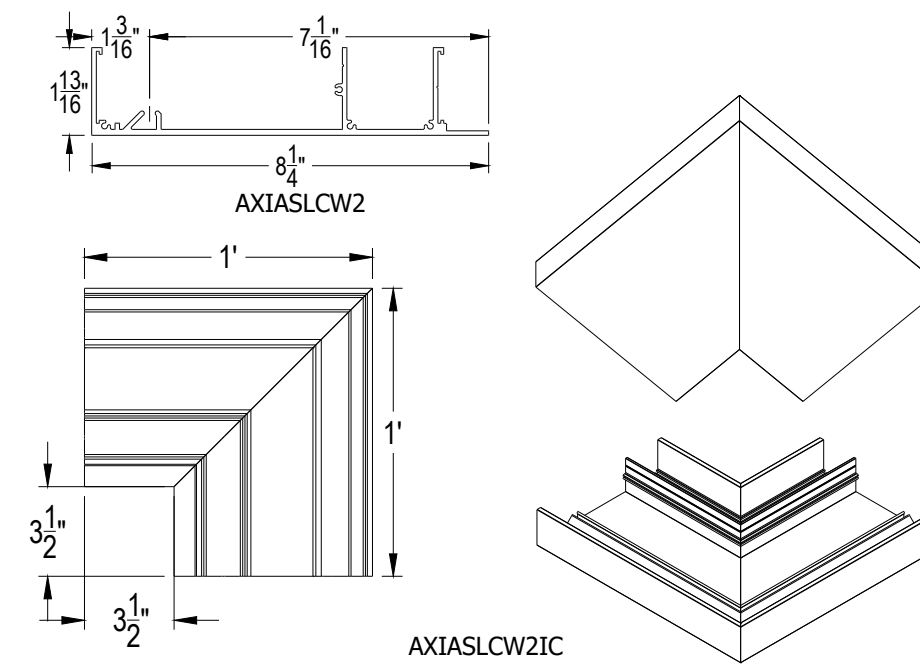




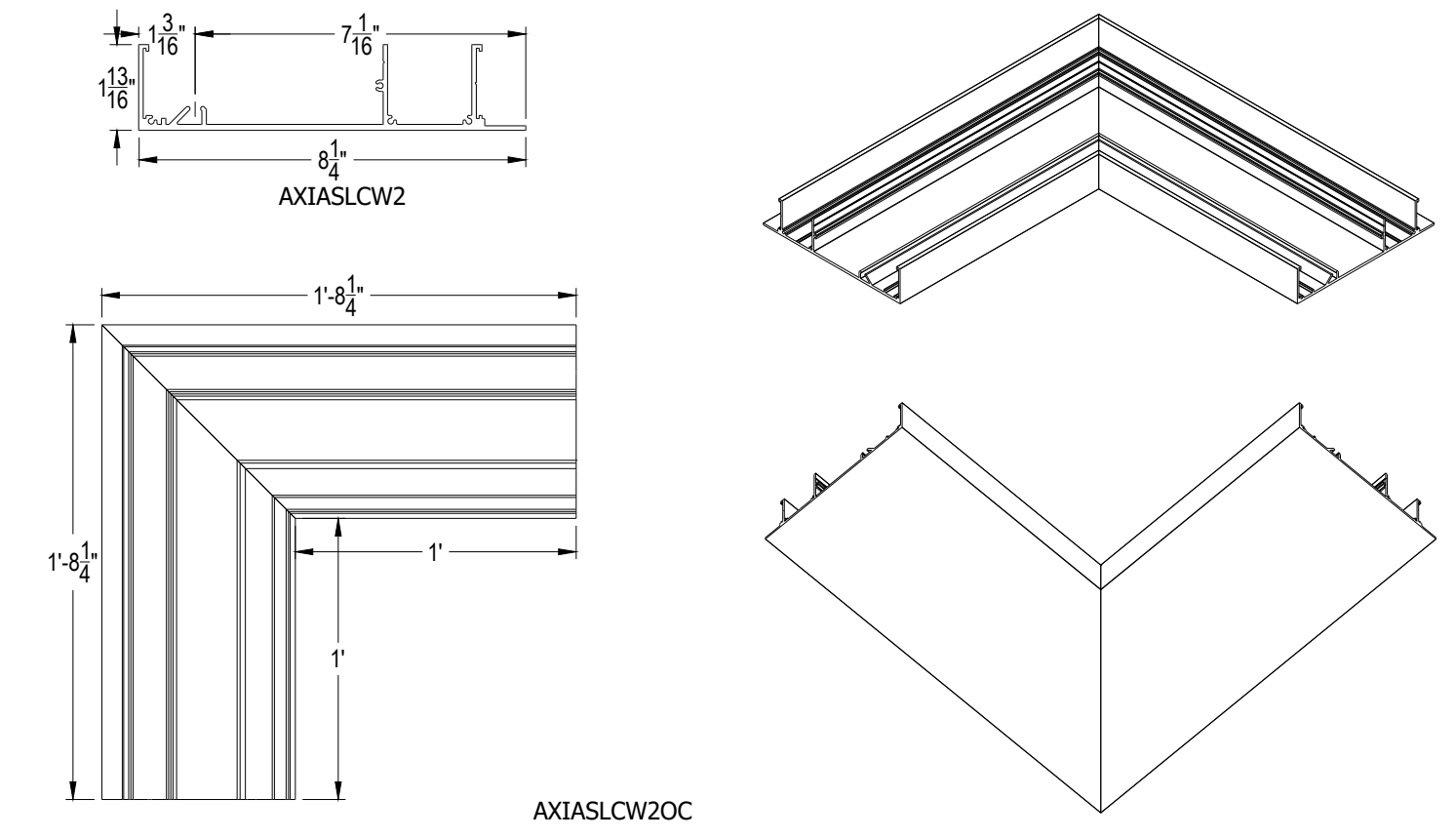
DD-01 AXIOM INDIRECT FIELD COVE AXIASLCC2 INSIDE CORNER



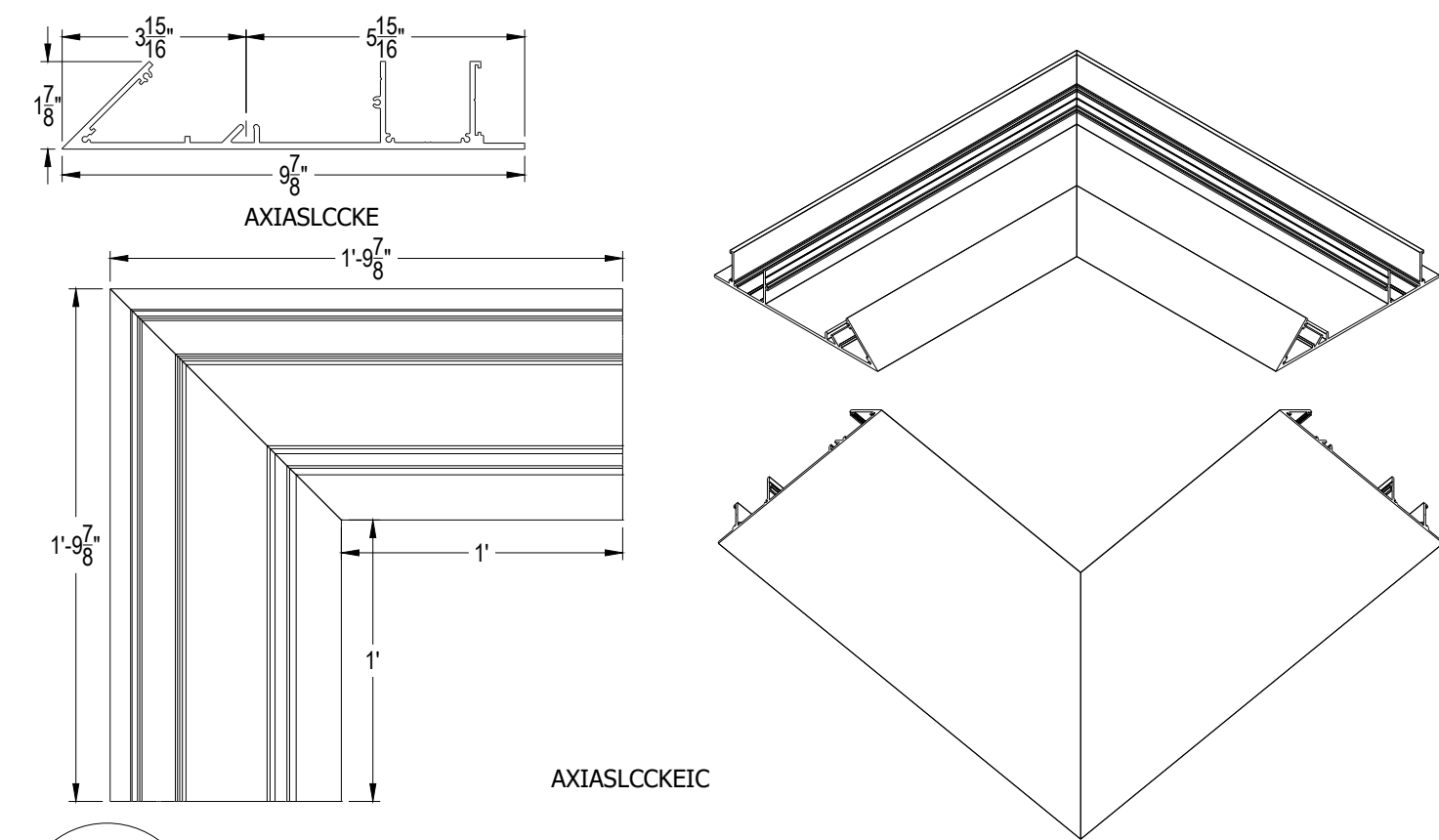
DD-02 AXIOM INDIRECT FIELD COVE AXIASLCC2 OUTSIDE CORNER



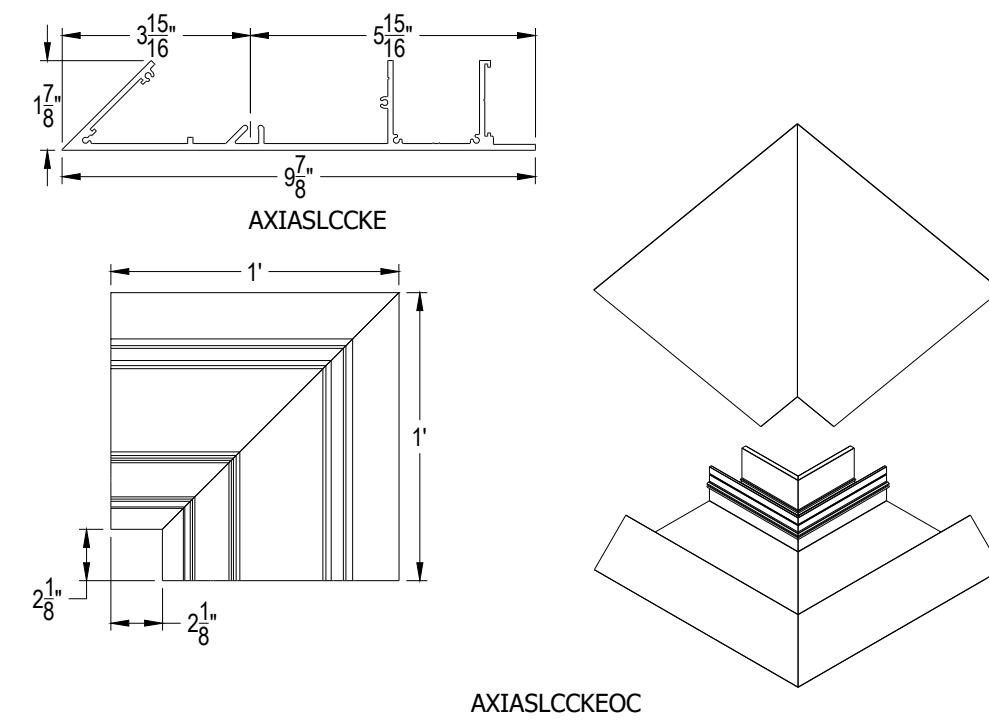
DD-03 AXIOM INDIRECT FIELD COVE AXIASLCW2 INSIDE CORNER



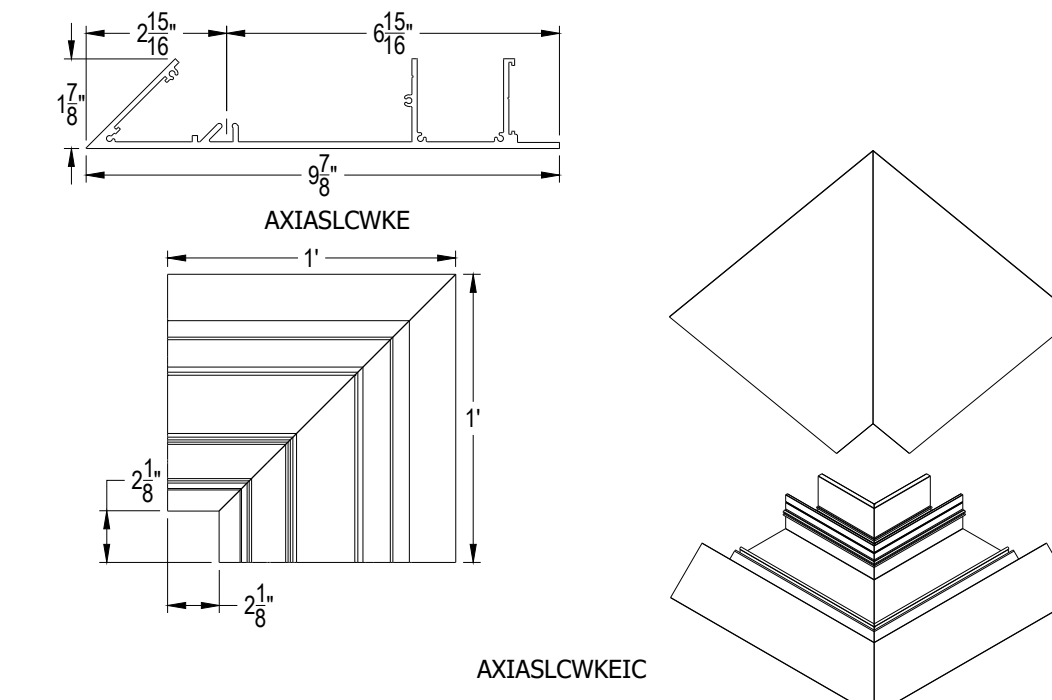
DD-04 AXIOM INDIRECT FIELD COVE AXIASLCW2 OUTSIDE CORNER



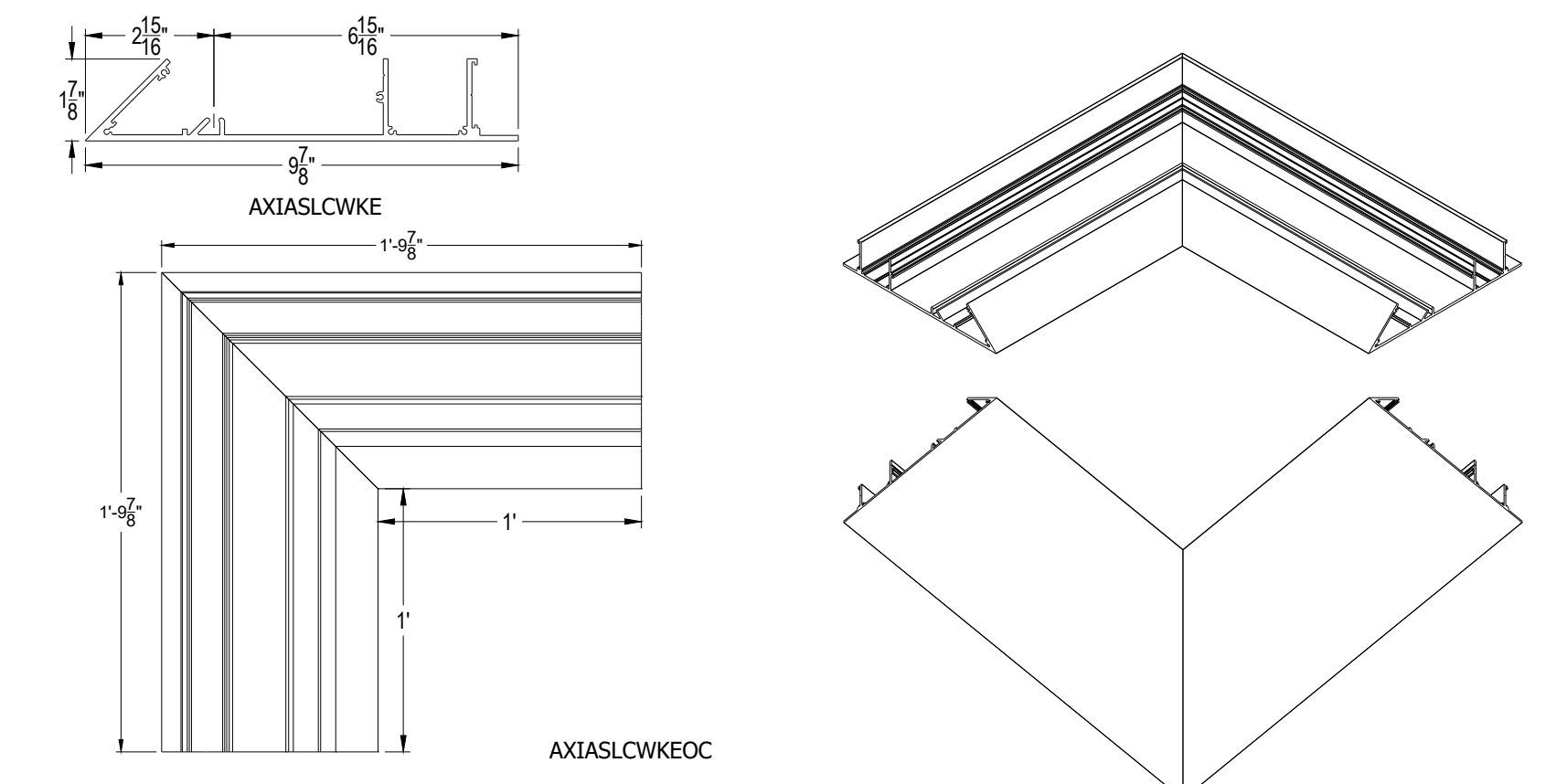
DD-05 AXIOM INDIRECT FIELD COVE AXIASLCCKE INSIDE CORNER



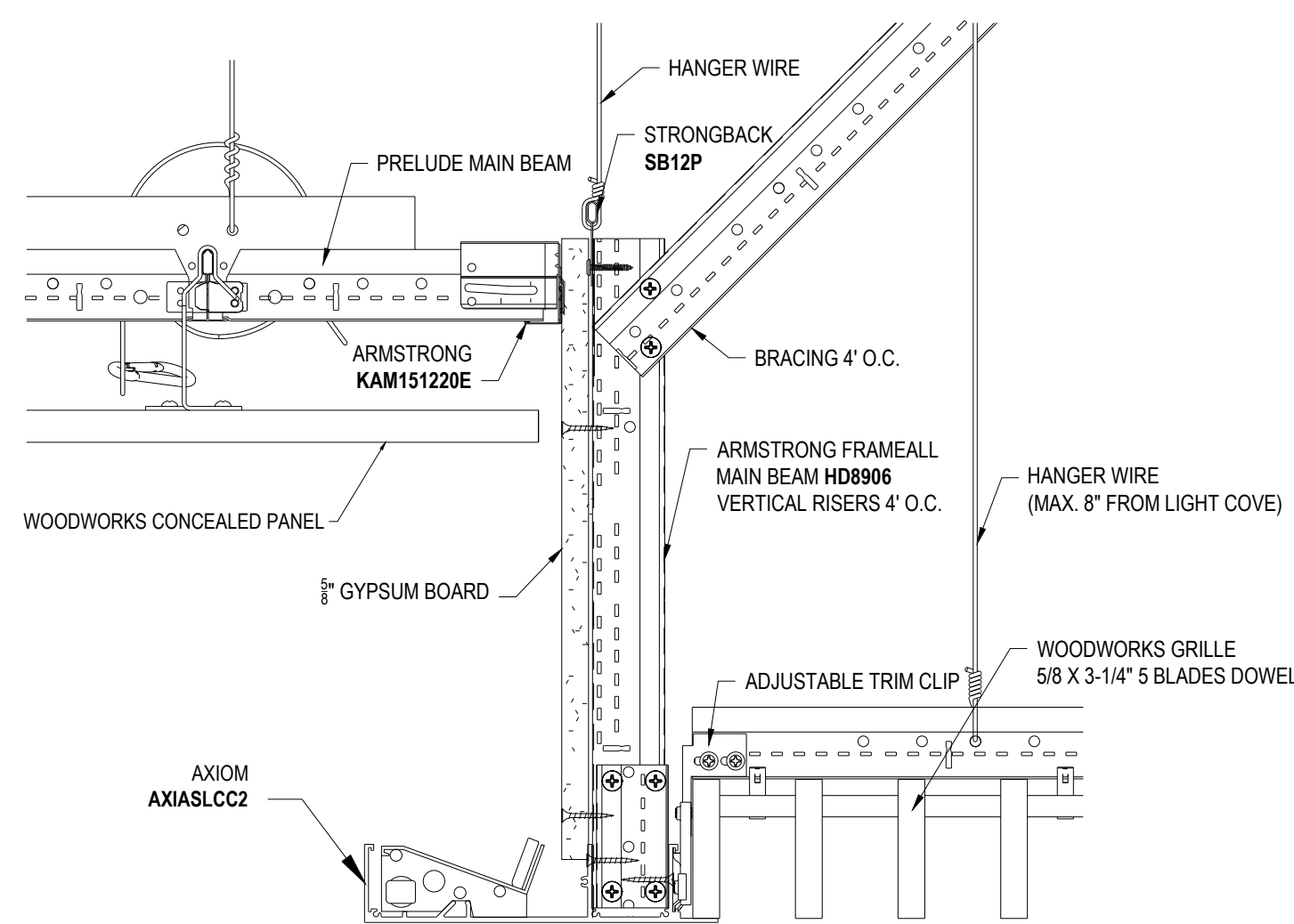
DD-06 AXIOM INDIRECT FIELD COVE AXIASLCCKE OUTSIDE CORNER



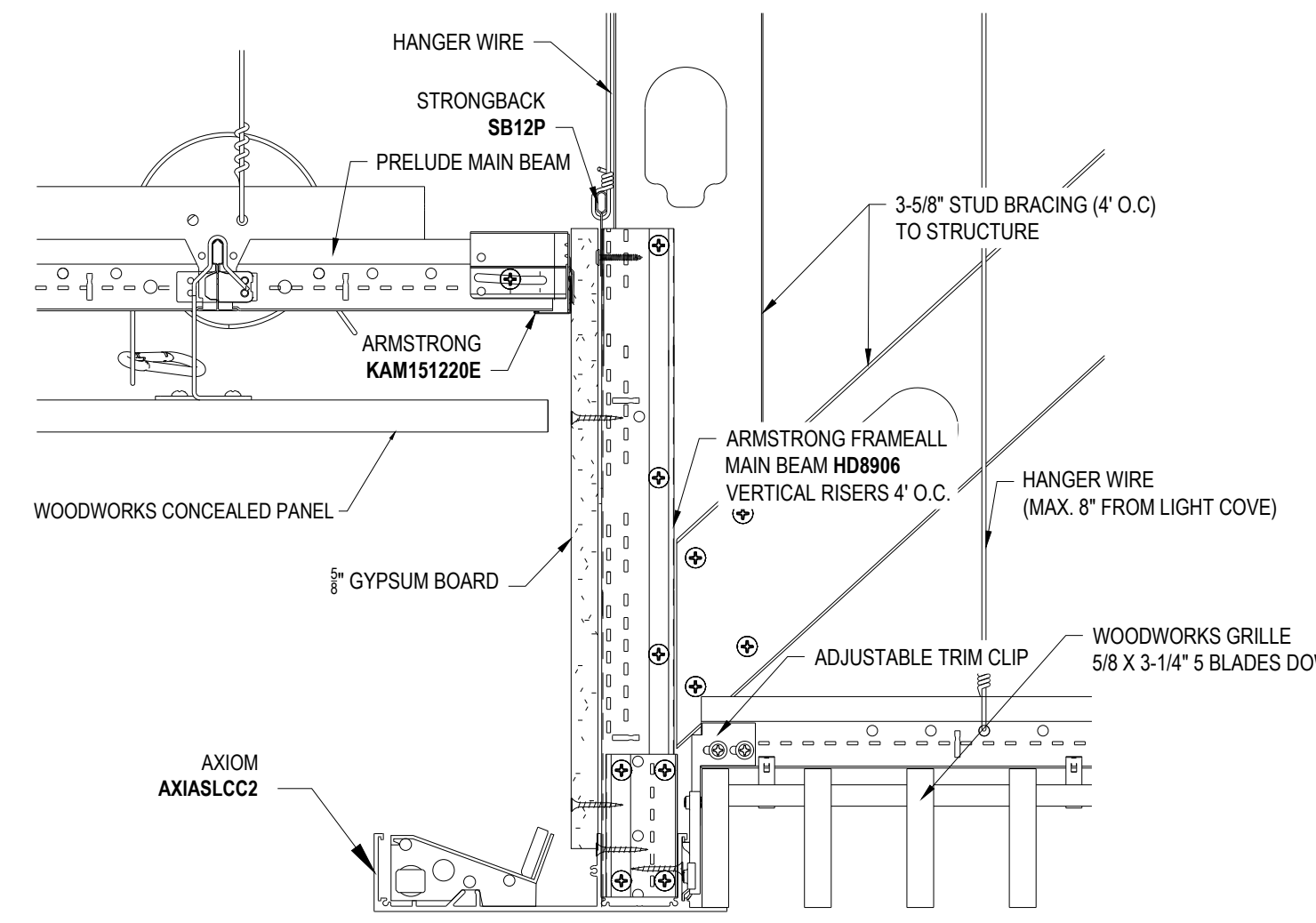
DD-07 AXIOM INDIRECT FIELD COVE AXIASLCWKE INSIDE CORNER



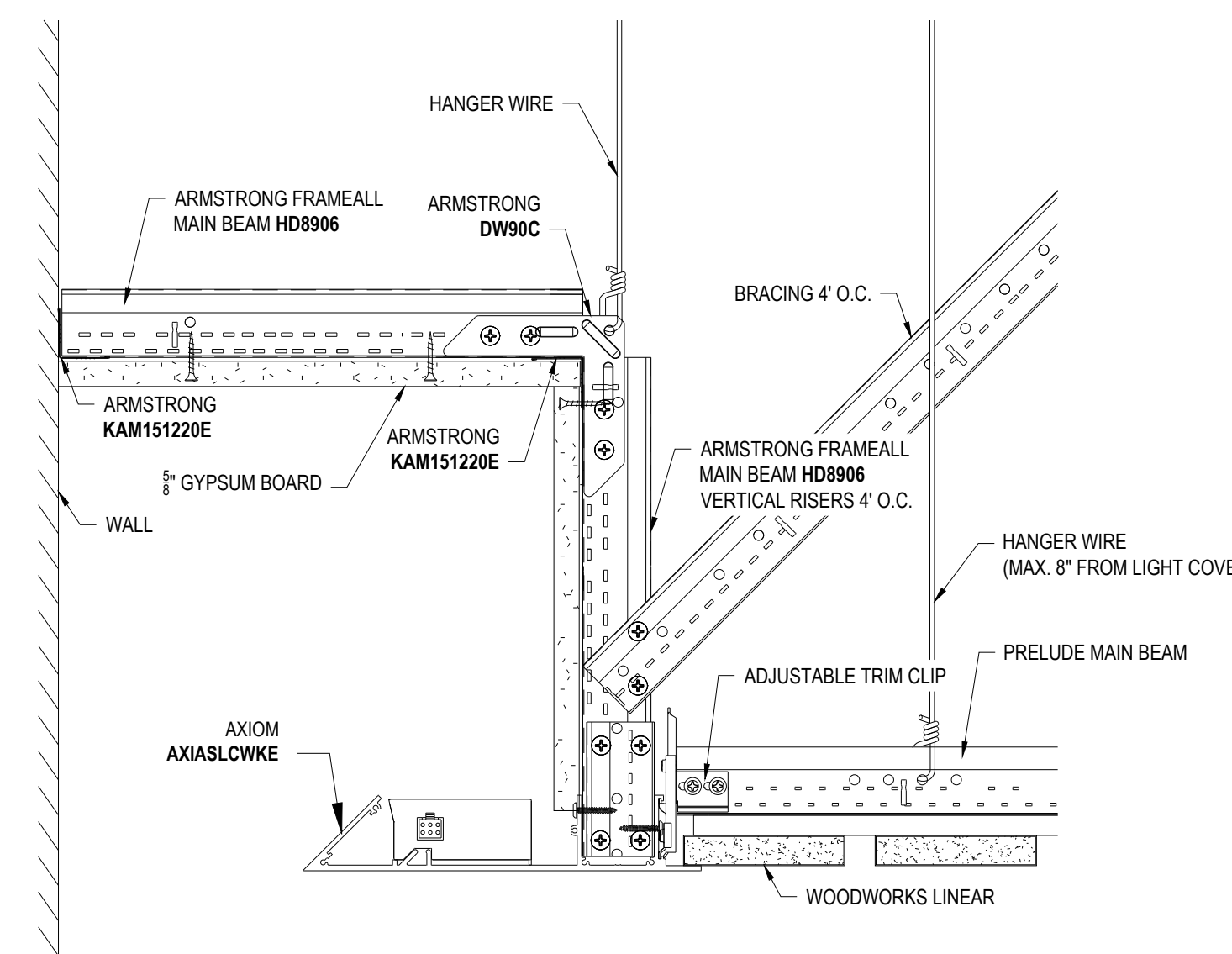
DD-08 AXIOM INDIRECT FIELD COVE AXIASLCWKE OUTSIDE CORNER



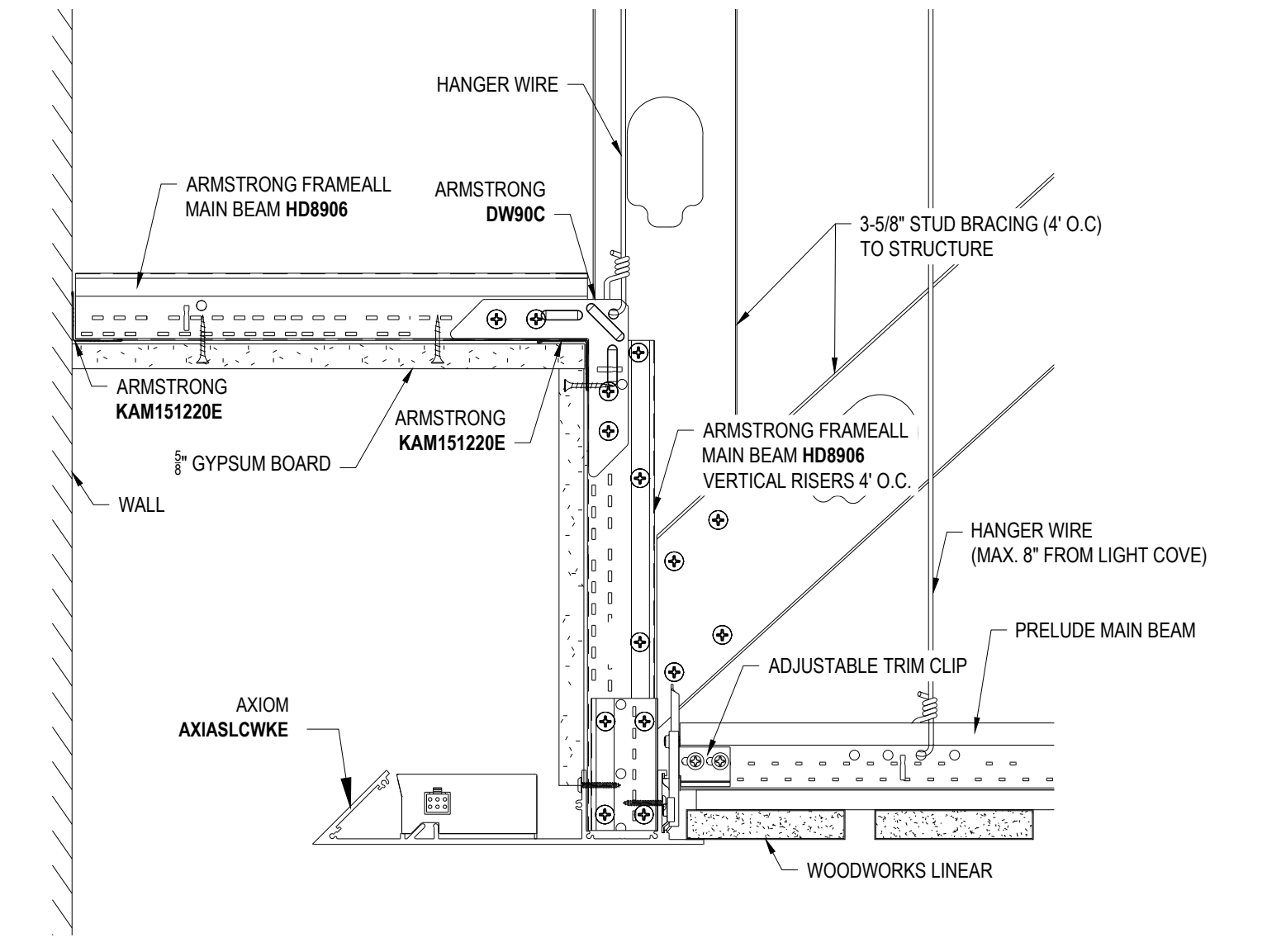
DD-09 CEILING TO CEILING CLASSIC ASSEMBLY



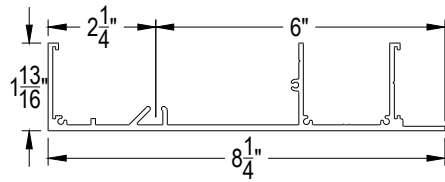
DD-10 CEILING TO CEILING CLASSIC SEISMIC ASSEMBLY



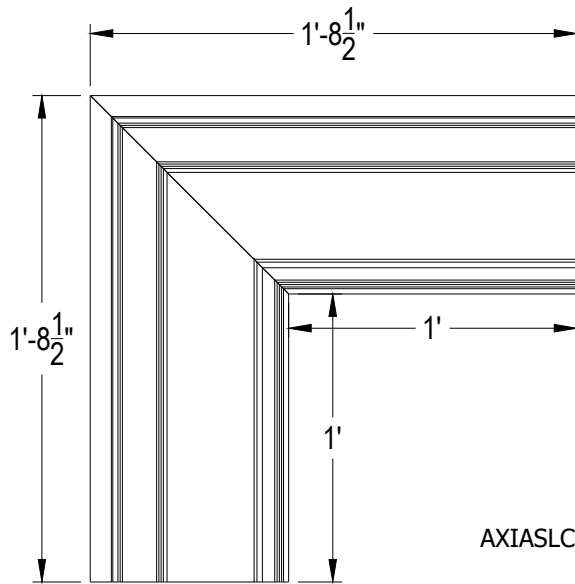
DD-11 CEILING TO WALL KNIFE EDGE ASSEMBLY



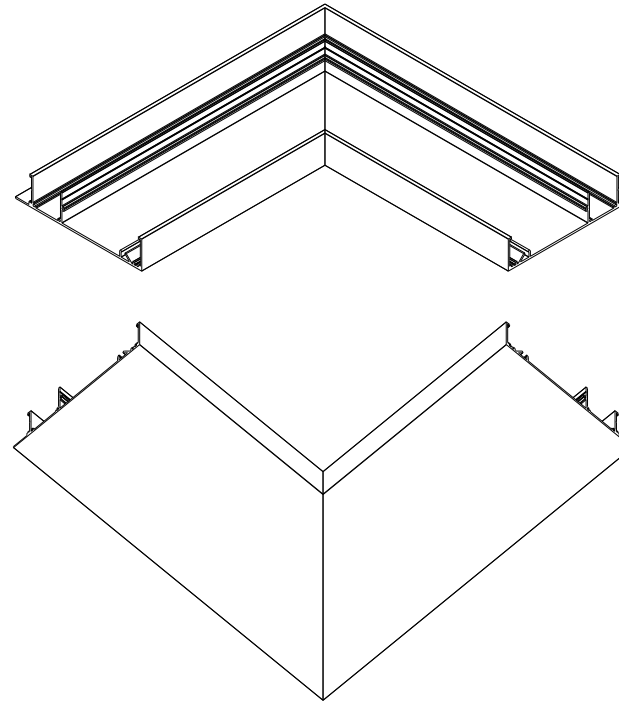
DD-12 CEILING TO WALL KNIFE EDGE SEISMIC ASSEMBLY



AXIASLCC2



AXIASLCC2IC



DD-01 AXIOM INDIRECT FIELD COVE AXIASLCC2
INSIDE CORNER

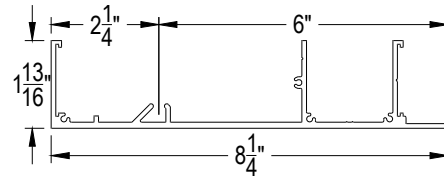
These drawings show typical conditions in which the Armstrong product depicted is installed. They are not a substitute for an architect's or engineer's plan and do not reflect the unique requirements of local building codes, laws, statutes, ordinances, rules and regulations (Legal Requirements) that may be applicable for a particular installation.

Armstrong does not warrant, and assumes no liability for the accuracy or completeness of the drawings for a particular installation or their fitness for a particular purpose. The user is advised to consult with a duly licensed architect or engineer in the particular locale of the installation to assure compliance with all Legal Requirements.

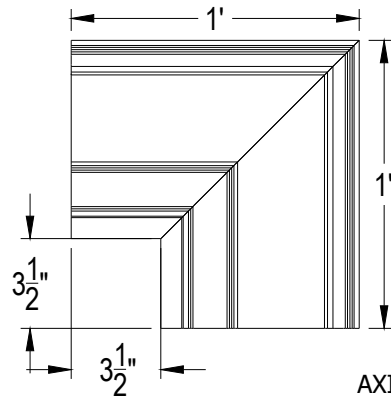
Armstrong is not licensed to provide professional architecture or engineering design services.

PROJECT NAME: AXIOM INDIRECT LIGHT COVES FOR SPECIALTY CEILINGS MASTER SHEET
AXIOM INDIRECT FIELD COVE AXIASLCC2 INSIDE CORNER

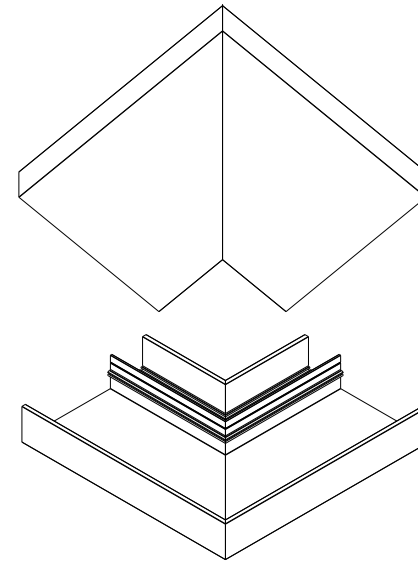
DWG. NO. A-A011-DD-01		REV: .	DATE: .
DATE: 2/4/25	SCALE: 3"=1'-0"	DESC.: .	
DRAWN BY: DAG	CHK BY: .		



AXIASLCC2



AXIASLCC2OC



DD-02 AXIOM INDIRECT FIELD COVE AXIASLCC2
OUTSIDE CORNER

These drawings show typical conditions in which the Armstrong product depicted is installed. They are not a substitute for an architect's or engineer's plan and do not reflect the unique requirements of local building codes, laws, statutes, ordinances, rules and regulations (Legal Requirements) that may be applicable for a particular installation.

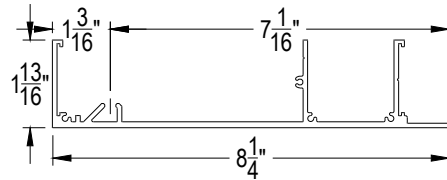
Armstrong does not warrant, and assumes no liability for the accuracy or completeness of the drawings for a particular installation or their fitness for a particular purpose. The user is advised to consult with a duly licensed architect or engineer in the particular locale of the installation to assure compliance with all Legal Requirements.

Armstrong is not licensed to provide professional architecture or engineering design services.

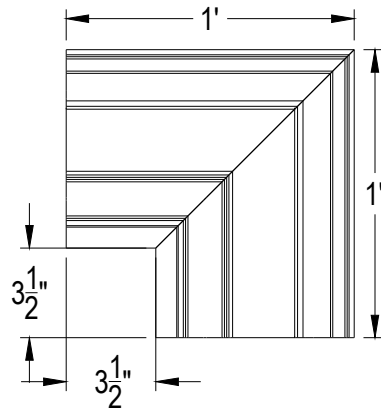
PROJECT NAME: AXIOM INDIRECT LIGHT COVES FOR SPECIALTY CEILINGS MASTER SHEET
AXIOM INDIRECT FIELD COVE AXIASLCC2 OUTSIDE CORNER

DWG. NO. A-A011-DD-02		REV: .	DATE: .
DATE: 2/4/25	SCALE: 3"=1'-0"	DESC.: .	
DRAWN BY: DAG	CHK BY: .		

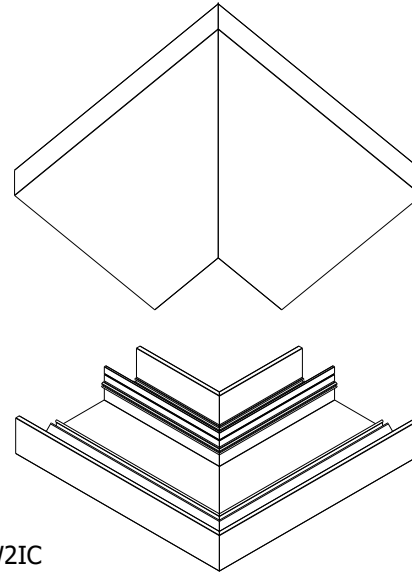




AXIASLCW2



AXIASLCW2IC



DD-03 AXIOM INDIRECT FIELD COVE AXIASLCW2
INSIDE CORNER

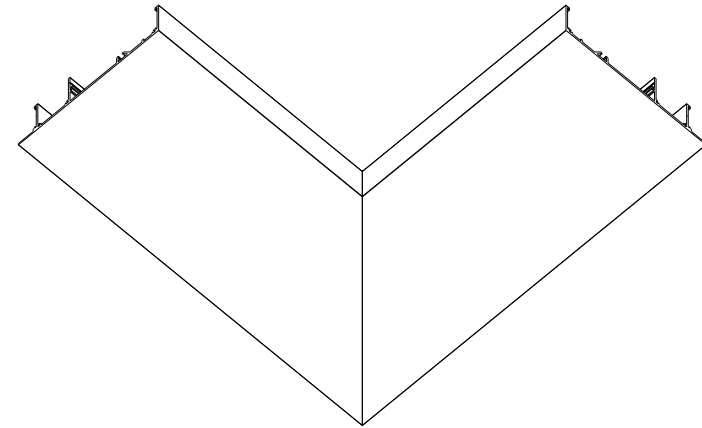
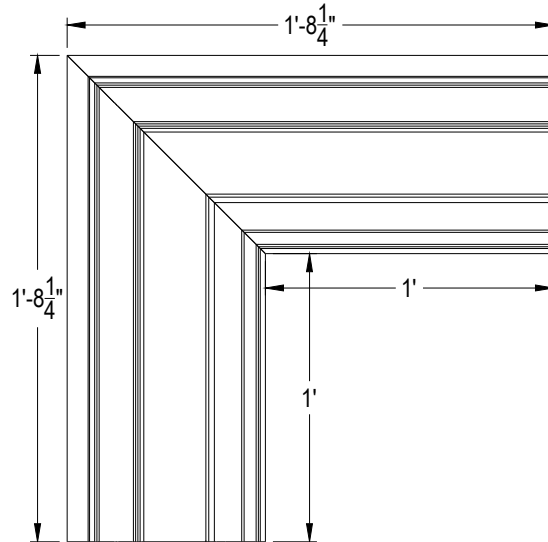
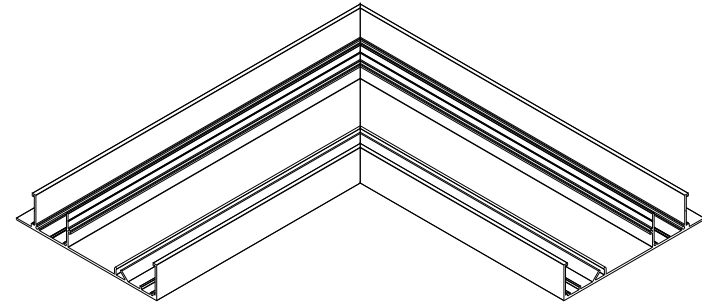
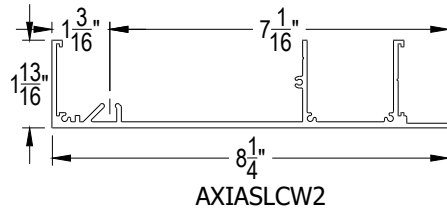
These drawings show typical conditions in which the Armstrong product depicted is installed. They are not a substitute for an architect's or engineer's plan and do not reflect the unique requirements of local building codes, laws, statutes, ordinances, rules and regulations (Legal Requirements) that may be applicable for a particular installation.

Armstrong does not warrant, and assumes no liability for the accuracy or completeness of the drawings for a particular installation or their fitness for a particular purpose. The user is advised to consult with a duly licensed architect or engineer in the particular locale of the installation to assure compliance with all Legal Requirements.

Armstrong is not licensed to provide professional architecture or engineering design services.

PROJECT NAME: AXIOM INDIRECT LIGHT COVES FOR SPECIALTY CEILINGS MASTER SHEET AXIOM INDIRECT FIELD COVE AXIASLCW2 INSIDE CORNER			
DWG. NO. A-A011-DD-03		REV: .	DATE: .
DATE: 2/4/25	SCALE: 3"=1'-0"		DESC.: .
DRAWN BY: DAG	CHK BY: .		





DD-04 **AXIOM INDIRECT FIELD COVE AXIASLCW2
OUTSIDE CORNER**

These drawings show typical conditions in which the Armstrong product depicted is installed. They are not a substitute for an architect's or engineer's plan and do not reflect the unique requirements of local building codes, laws, statutes, ordinances, rules and regulations (Legal Requirements) that may be applicable for a particular installation.

Armstrong does not warrant, and assumes no liability for the accuracy or completeness of the drawings for a particular installation or their fitness for a particular purpose. The user is advised to consult with a duly licensed architect or engineer in the particular locale of the installation to assure compliance with all Legal Requirements.

Armstrong is not licensed to provide professional architecture or engineering design services.

PROJECT NAME: AXIOM INDIRECT LIGHT COVES FOR SPECIALTY CEILINGS MASTER SHEET
AXIOM INDIRECT FIELD COVE AXIASLCW2 OUTSIDE CORNER

DWG. NO. A-A011-DD-04

REV: .

DATE: .

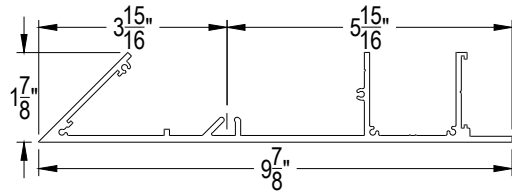
DATE: 2/4/25

SCALE: 3"=1'-0"

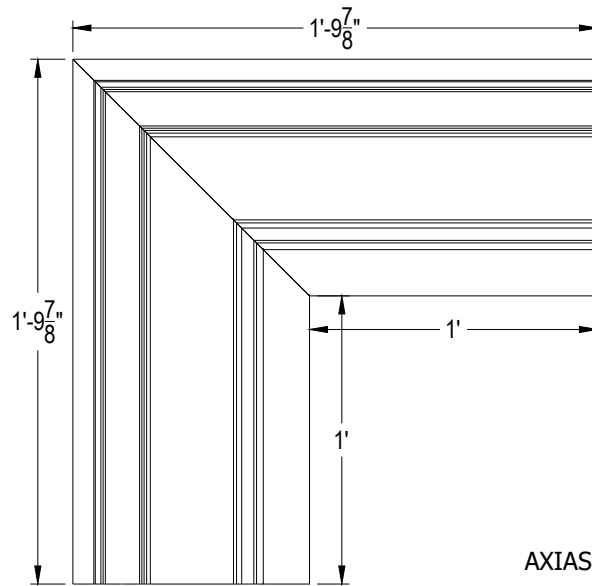
DESC.: .

DRAWN BY: DAG

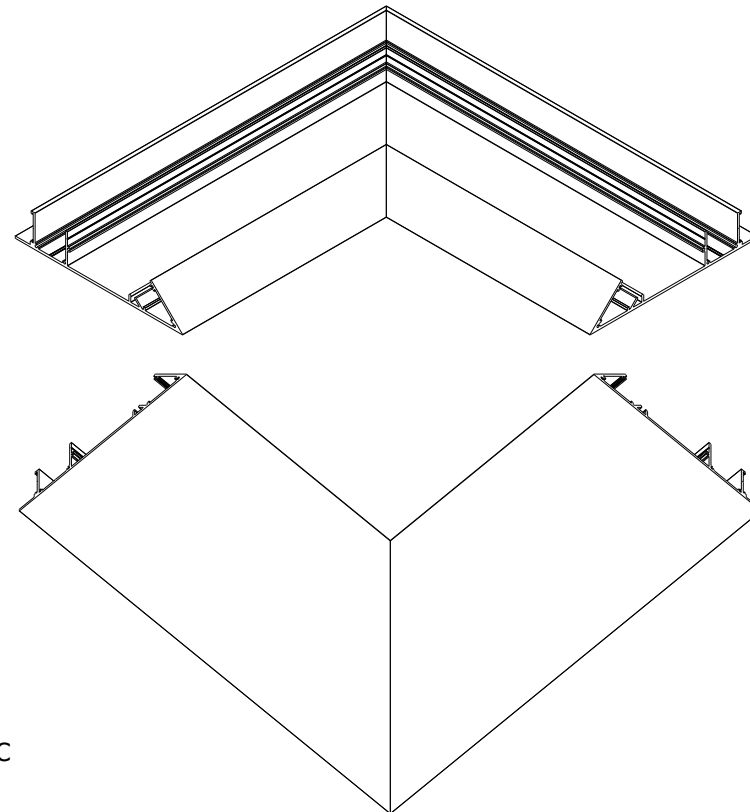
CHK BY: .



AXIASLCCKE



AXIASLCCKEIC



DD-05 **AXIOM INDIRECT FIELD COVE AXIASLCCKE
INSIDE CORNER**

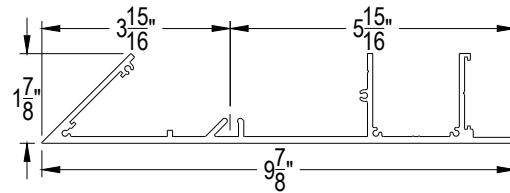
These drawings show typical conditions in which the Armstrong product depicted is installed. They are not a substitute for an architect's or engineer's plan and do not reflect the unique requirements of local building codes, laws, statutes, ordinances, rules and regulations (Legal Requirements) that may be applicable for a particular installation.

Armstrong does not warrant, and assumes no liability for the accuracy or completeness of the drawings for a particular installation or their fitness for a particular purpose. The user is advised to consult with a duly licensed architect or engineer in the particular locale of the installation to assure compliance with all Legal Requirements.

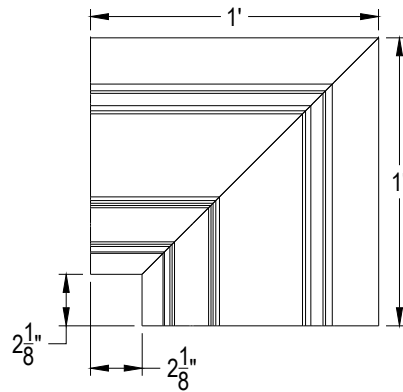
Armstrong is not licensed to provide professional architecture or engineering design services.

PROJECT NAME: AXIOM INDIRECT LIGHT COVES FOR SPECIALTY CEILINGS MASTER SHEET
AXIOM INDIRECT FIELD COVE AXIASLCCKE INSIDE CORNER

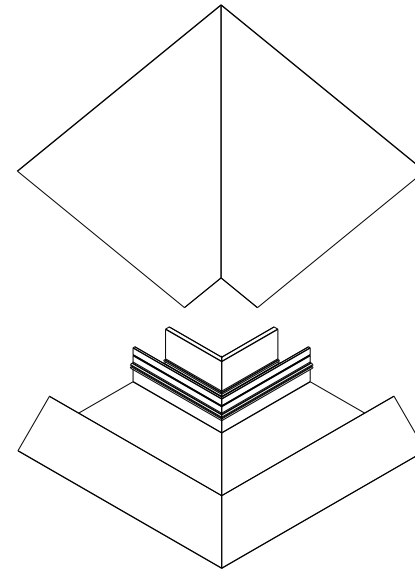
DWG. NO. A-A011-DD-05		REV: .	DATE: .
DATE: 2/4/25	SCALE: 3"=1'-0"	DESC.: .	
DRAWN BY: DAG	CHK BY: .		



AXIASLCCKE



AXIASLCCKEOC



DD-06 **AXIOM INDIRECT FIELD COVE AXIASLCCKE**
OUTSIDE CORNER

These drawings show typical conditions in which the Armstrong product depicted is installed. They are not a substitute for an architect's or engineer's plan and do not reflect the unique requirements of local building codes, laws, statutes, ordinances, rules and regulations (Legal Requirements) that may be applicable for a particular installation.

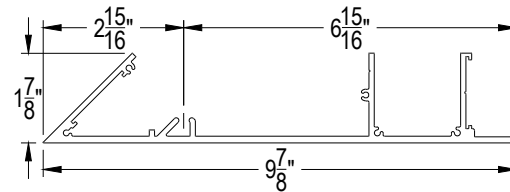
Armstrong does not warrant, and assumes no liability for the accuracy or completeness of the drawings for a particular installation or their fitness for a particular purpose. The user is advised to consult with a duly licensed architect or engineer in the particular locale of the installation to assure compliance with all Legal Requirements.

Armstrong is not licensed to provide professional architecture or engineering design services.

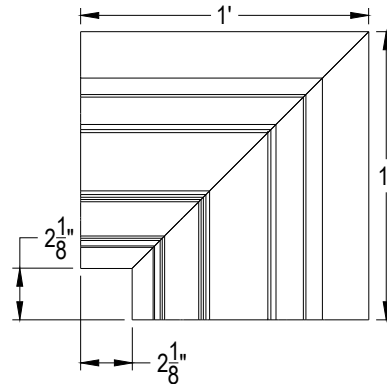
PROJECT NAME: AXIOM INDIRECT LIGHT COVES FOR SPECIALTY CEILINGS MASTER SHEET
AXIOM INDIRECT FIELD COVE AXIASLCCKE OUTSIDE CORNER

DWG. NO. A-A011-DD-06		REV: .	DATE: .
DATE: 2/4/25	SCALE: 3"=1'-0"	DESC.: .	
DRAWN BY: DAG	CHK BY: .		

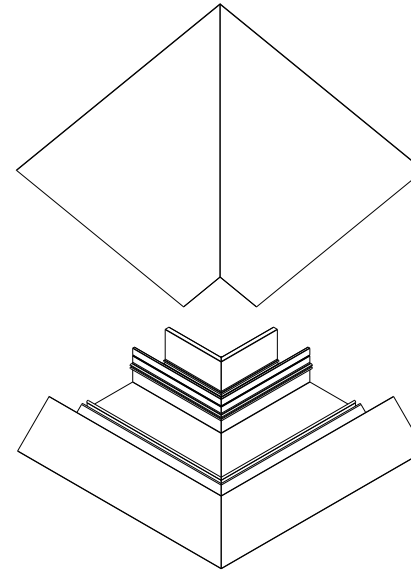




AXIASLCWKE



AXIASLCWKEIC



DD-07 AXIOM INDIRECT FIELD COVE AXIASLCWKE
INSIDE CORNER

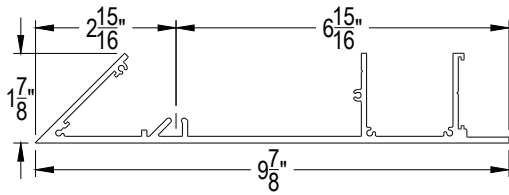
These drawings show typical conditions in which the Armstrong product depicted is installed. They are not a substitute for an architect's or engineer's plan and do not reflect the unique requirements of local building codes, laws, statutes, ordinances, rules and regulations (Legal Requirements) that may be applicable for a particular installation.

Armstrong does not warrant, and assumes no liability for the accuracy or completeness of the drawings for a particular installation or their fitness for a particular purpose. The user is advised to consult with a duly licensed architect or engineer in the particular locale of the installation to assure compliance with all Legal Requirements.

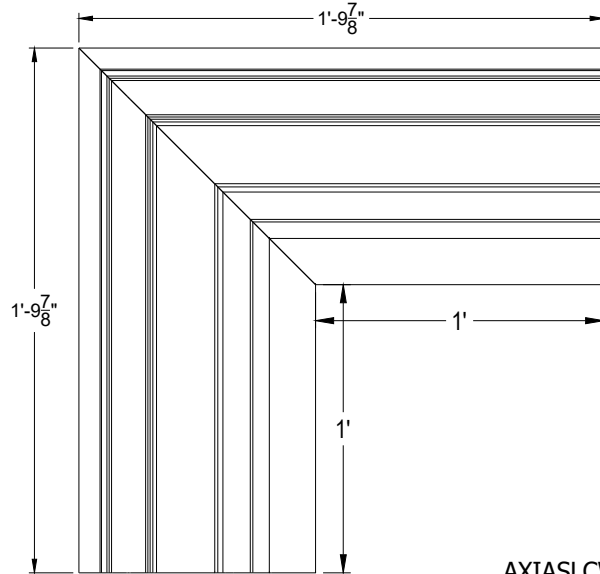
Armstrong is not licensed to provide professional architecture or engineering design services.

PROJECT NAME: AXIOM INDIRECT LIGHT COVES FOR SPECIALTY CEILINGS MASTER SHEET
AXIOM INDIRECT FIELD COVE AXIASLCWKE INSIDE CORNER

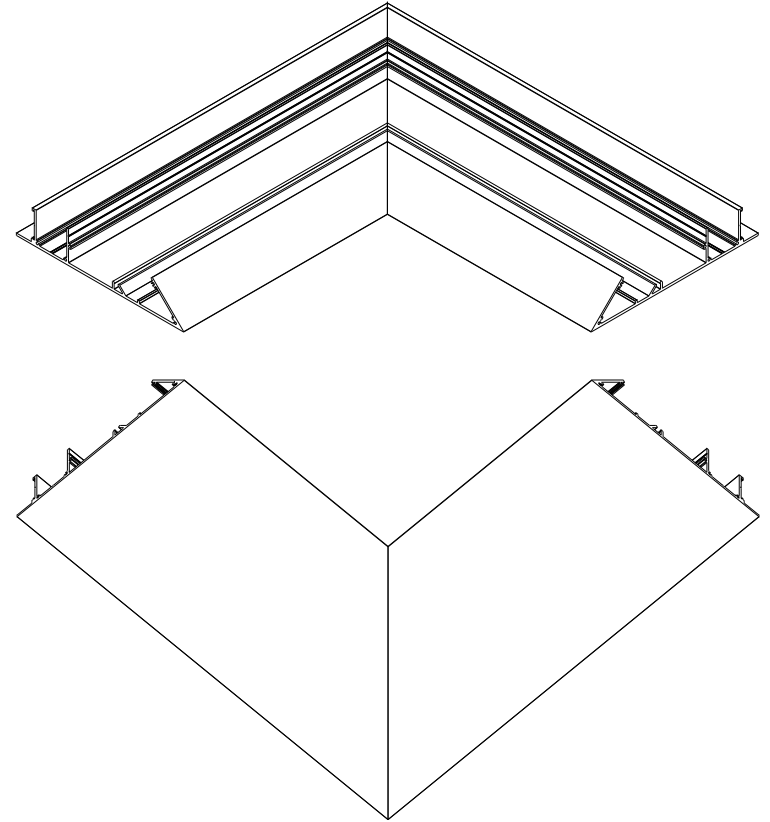
DWG. NO. A-A011-DD-07		REV: .	DATE: .
DATE: 2/4/25	SCALE: 3"=1'-0"	DESC.: .	
DRAWN BY: DAG	CHK BY: .		



AXIASLCWKE



AXIASLCWKEOC



DD-08

**AXIOM INDIRECT FIELD COVE AXIASLCWKE
OUTSIDE CORNER**

These drawings show typical conditions in which the Armstrong product depicted is installed. They are not a substitute for an architect's or engineer's plan and do not reflect the unique requirements of local building codes, laws, statutes, ordinances, rules and regulations (Legal Requirements) that may be applicable for a particular installation.

Armstrong does not warrant, and assumes no liability for the accuracy or completeness of the drawings for a particular installation or their fitness for a particular purpose. The user is advised to consult with a duly licensed architect or engineer in the particular locale of the installation to assure compliance with all Legal Requirements.

Armstrong is not licensed to provide professional architecture or engineering design services.

PROJECT NAME: AXIOM INDIRECT LIGHT COVES FOR SPECIALTY CEILINGS MASTER SHEET
AXIOM INDIRECT FIELD COVE AXIASLCWKE OUTSIDE CORNER

DWG. NO. **A-A011-DD-08**

REV: . DATE: .

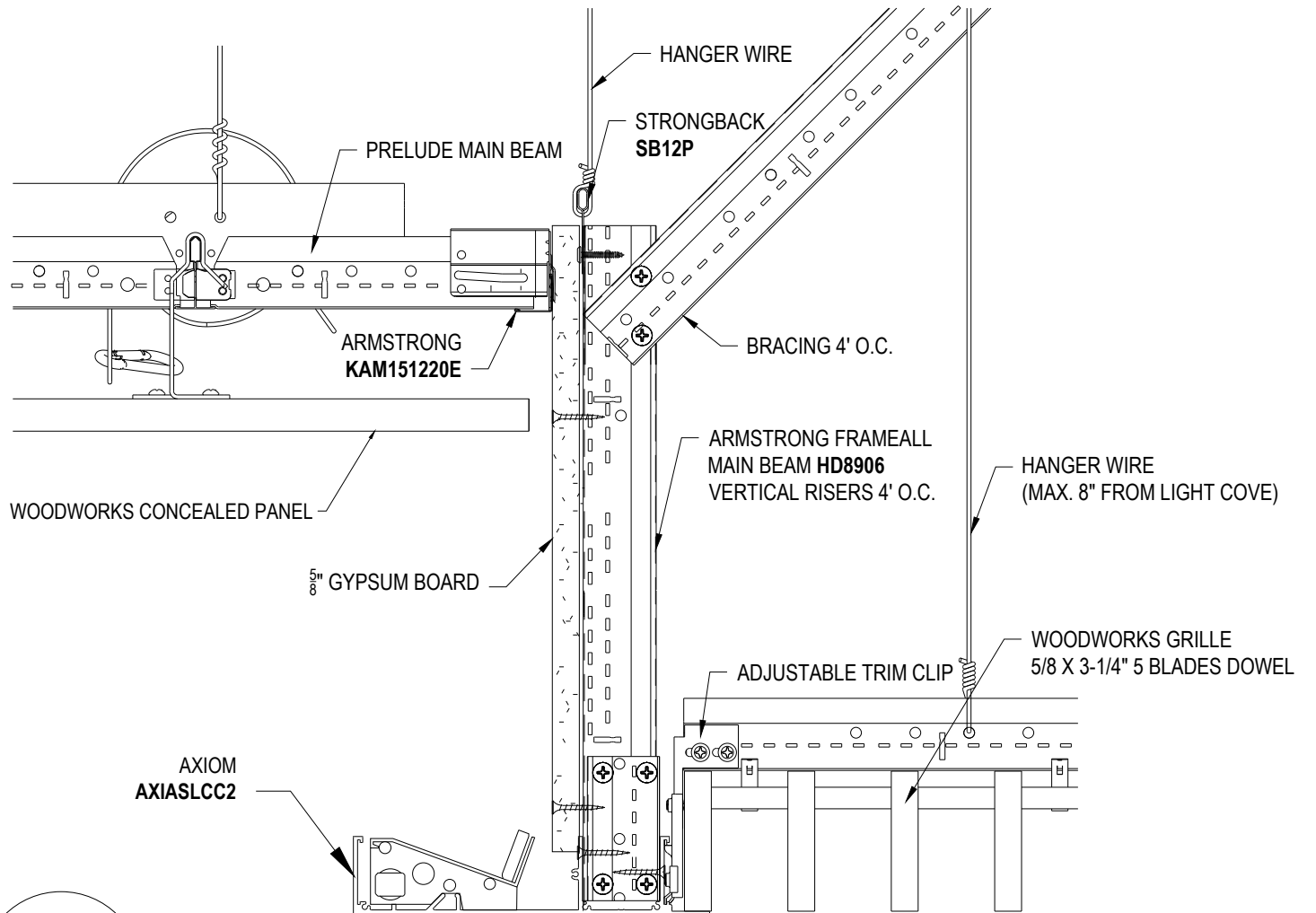
DATE: **2/4/25**

SCALE: **3"=1'-0"**

DESC.: .

DRAWN BY: **DAG**

CHK BY: .



DD-09 CEILING TO CEILING CLASSIC ASSEMBLY

These drawings show typical conditions in which the Armstrong product depicted is installed. They are not a substitute for an architect's or engineer's plan and do not reflect the unique requirements of local building codes, laws, statutes, ordinances, rules and regulations (Legal Requirements) that may be applicable for a particular installation.

Armstrong does not warrant, and assumes no liability for the accuracy or completeness of the drawings for a particular installation or their fitness for a particular purpose. The user is advised to consult with a duly licensed architect or engineer in the particular locale of the installation to assure compliance with all Legal Requirements.

Armstrong is not licensed to provide professional architecture or engineering design services.

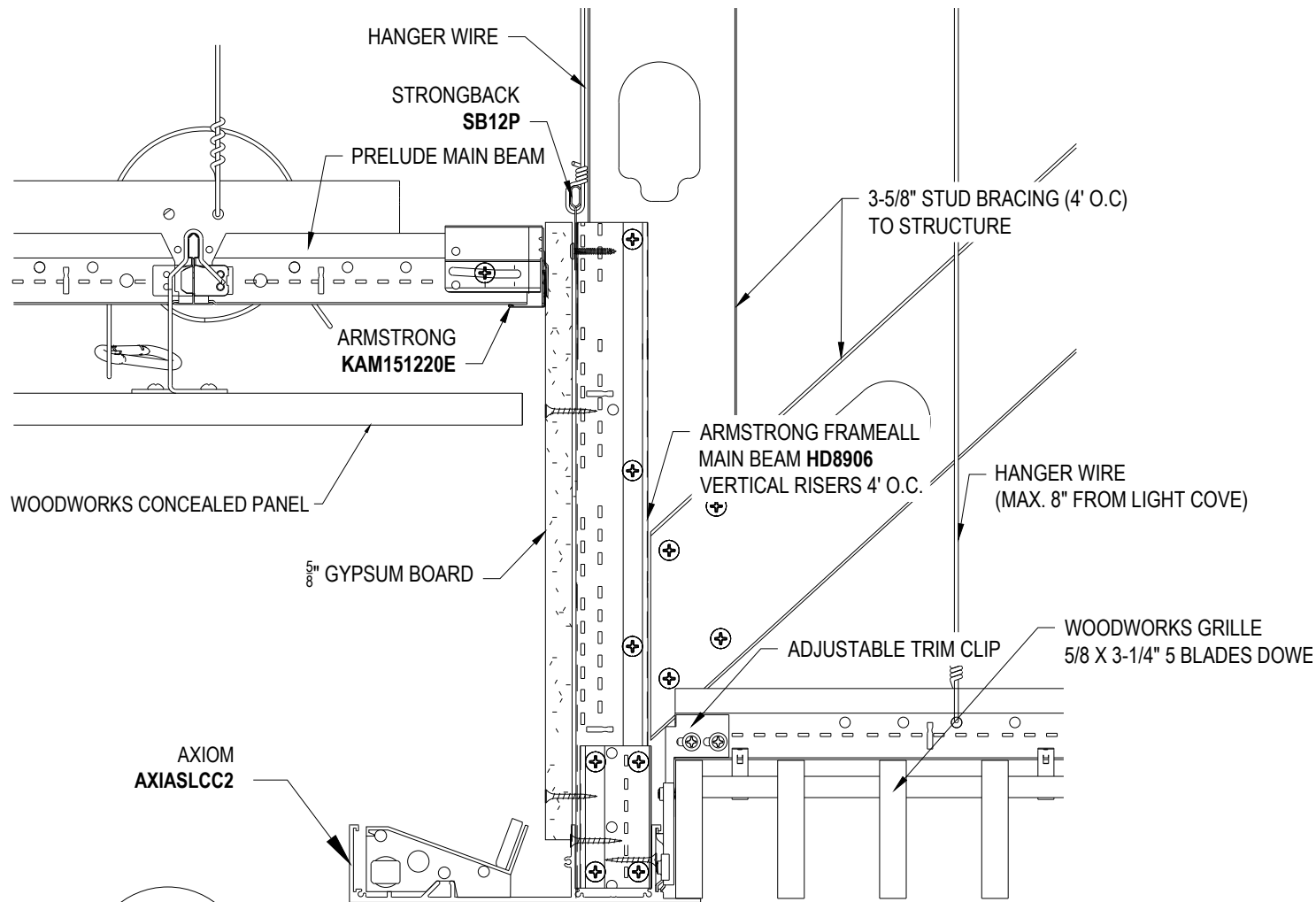
PROJECT NAME: AXIOM INDIRECT LIGHT COVES FOR SPECIALTY CEILINGS MASTER SHEET
CEILING TO CEILING CLASSIC ASSEMBLY

DWG. NO. A-A011-DD-09		REV: .	DATE: .
DATE: 2/4/25	SCALE: 3"=1'-0"	DESC.: .	
DRAWN BY: DAG		CHK BY: .	



CEILING & WALL SOLUTIONS * ARMSTRONG WORLD INDUSTRIES, INC. * Lancaster, PA * Phone: 877-ARMSTRONG





DD-10

CEILING TO CEILING CLASSIC SEISMIC ASSEMBLY

These drawings show typical conditions in which the Armstrong product depicted is installed. They are not a substitute for an architect's or engineer's plan and do not reflect the unique requirements of local building codes, laws, statutes, ordinances, rules and regulations (Legal Requirements) that may be applicable for a particular installation.

Armstrong does not warrant, and assumes no liability for the accuracy or completeness of the drawings for a particular installation or their fitness for a particular purpose. The user is advised to consult with a duly licensed architect or engineer in the particular locale of the installation to assure compliance with all Legal Requirements.

Armstrong is not licensed to provide professional architecture or engineering design services.

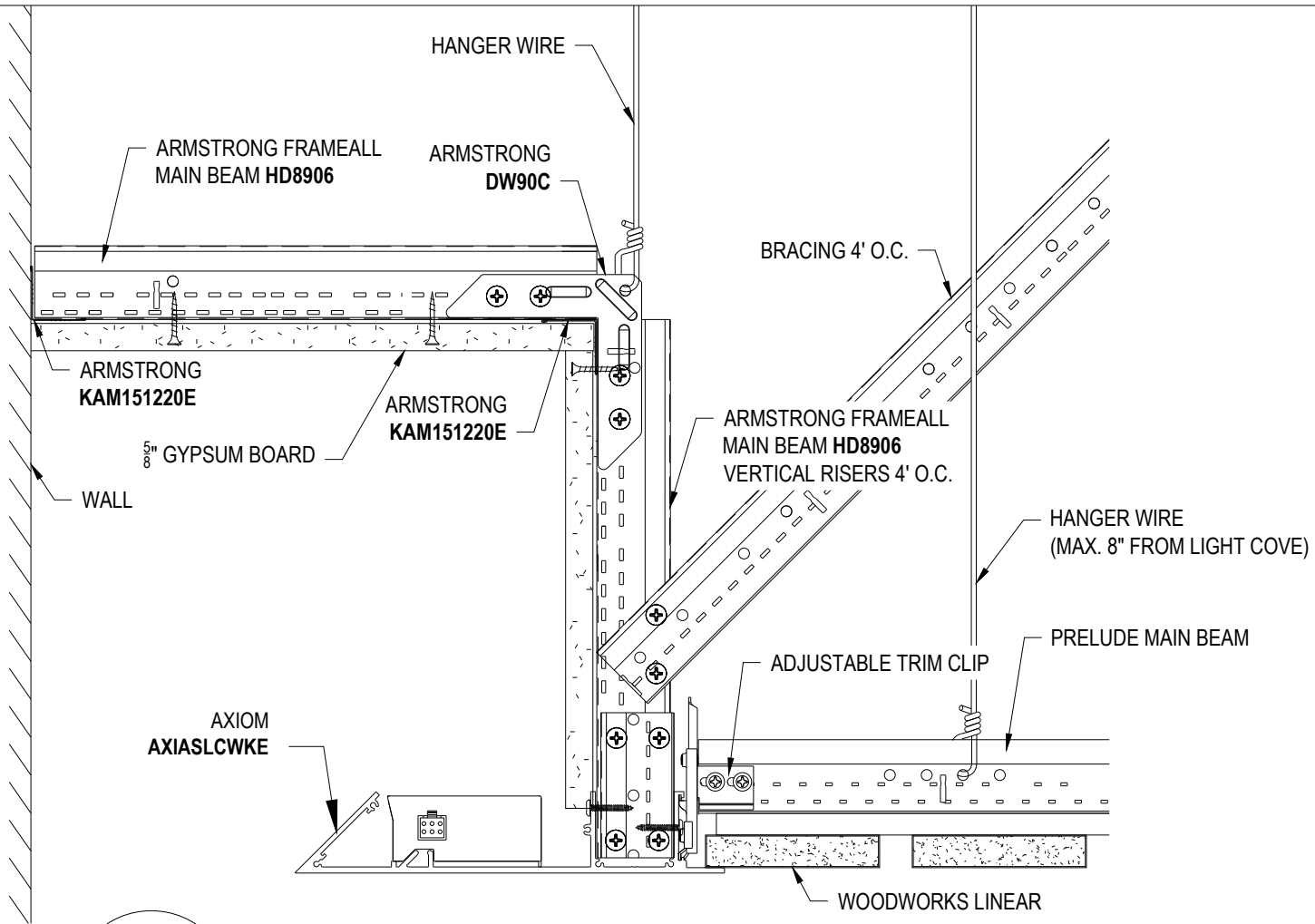
PROJECT NAME: AXIOM INDIRECT LIGHT COVES FOR SPECIALTY CEILINGS MASTER SHEET
CEILING TO CEILING CLASSIC SEISMIC ASSEMBLY

DWG. NO. A-A011-DD-10		REV: .	DATE: .
DATE: 2/4/25	SCALE: 3"=1'-0"	DESC.: .	
DRAWN BY: DAG		CHK BY: .	



CEILING & WALL SOLUTIONS * ARMSTRONG WORLD INDUSTRIES, INC. * Lancaster, PA * Phone: 877-ARMSTRONG





DD-11 CEILING TO WALL KNIFE EDGE ASSEMBLY

These drawings show typical conditions in which the Armstrong product depicted is installed. They are not a substitute for an architect's or engineer's plan and do not reflect the unique requirements of local building codes, laws, statutes, ordinances, rules and regulations (Legal Requirements) that may be applicable for a particular installation.

Armstrong does not warrant, and assumes no liability for the accuracy or completeness of the drawings for a particular installation or their fitness for a particular purpose. The user is advised to consult with a duly licensed architect or engineer in the particular locale of the installation to assure compliance with all Legal Requirements.

Armstrong is not licensed to provide professional architecture or engineering design services.

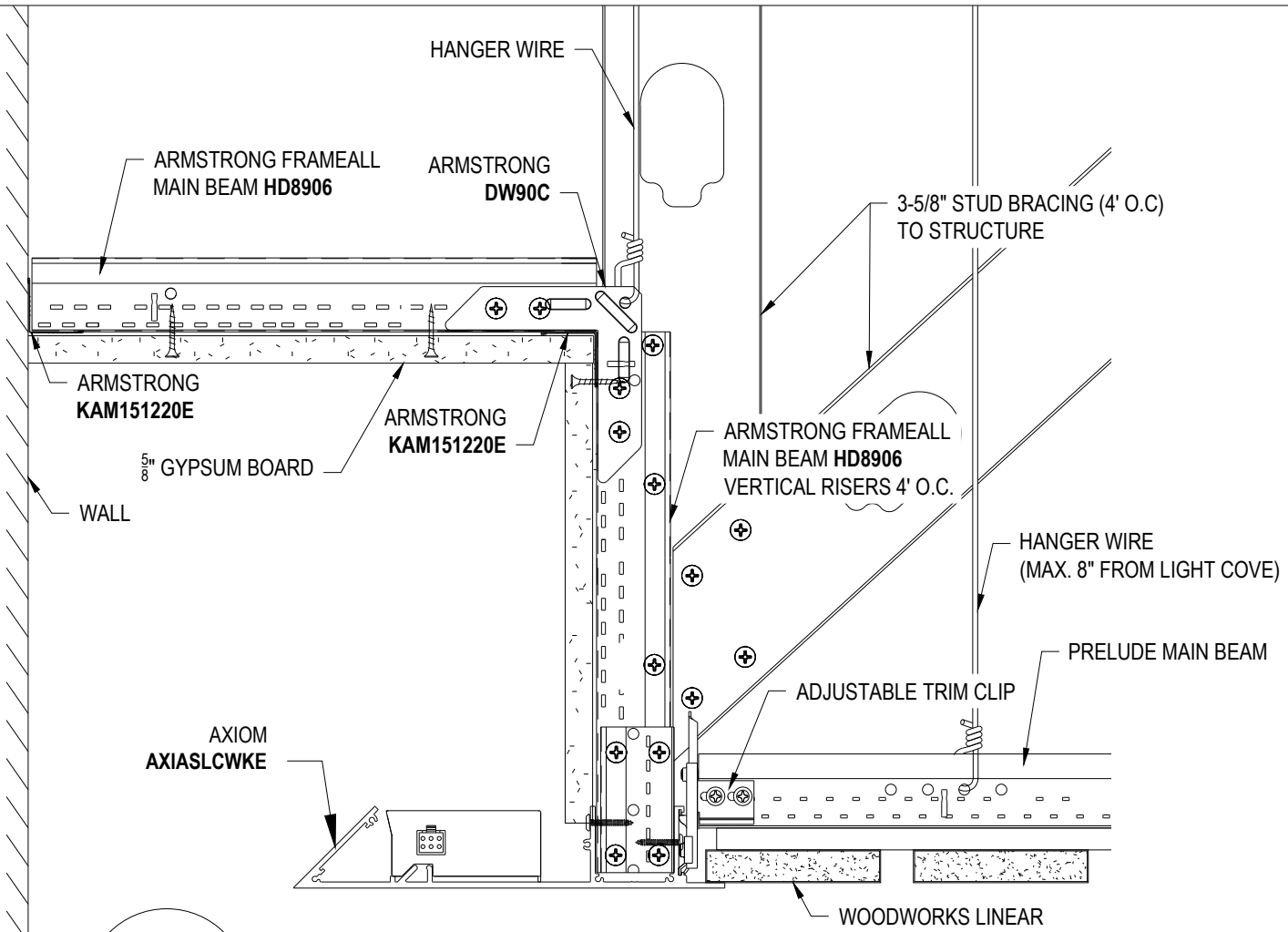
PROJECT NAME: AXIOM INDIRECT LIGHT COVES FOR SPECIALTY CEILINGS MASTER SHEET
CEILING TO WALL KNIFE EDGE ASSEMBLY

DWG. NO. A-A011-DD-11		REV: .	DATE: .
DATE: 2/4/25	SCALE: 3"=1'-0"	DESC.: .	
DRAWN BY: DAG		CHK BY: .	



CEILING & WALL SOLUTIONS * ARMSTRONG WORLD INDUSTRIES, INC. * Lancaster, PA * Phone: 877-ARMSTRONG





DD-12 CEILING TO WALL KNIFE EDGE SEISMIC ASSEMBLY

These drawings show typical conditions in which the Armstrong product depicted is installed. They are not a substitute for an architect's or engineer's plan and do not reflect the unique requirements of local building codes, laws, statutes, ordinances, rules and regulations (Legal Requirements) that may be applicable for a particular installation.

Armstrong does not warrant, and assumes no liability for the accuracy or completeness of the drawings for a particular installation or their fitness for a particular purpose. The user is advised to consult with a duly licensed architect or engineer in the particular locale of the installation to assure compliance with all Legal Requirements.

Armstrong is not licensed to provide professional architecture or engineering design services.

PROJECT NAME: AXIOM INDIRECT LIGHT COVES FOR SPECIALTY CEILINGS MASTER SHEET
CEILING TO WALL KNIFE EDGE SEISMIC ASSEMBLY

DWG. NO. A-A011-DD-12		REV: .	DATE: .
DATE: 2/4/25	SCALE: 3"=1'-0"	DESC.: .	
DRAWN BY: DAG		CHK BY: .	



CEILING & WALL SOLUTIONS * ARMSTRONG WORLD INDUSTRIES, INC. * Lancaster, PA * Phone: 877-ARMSTRONG

