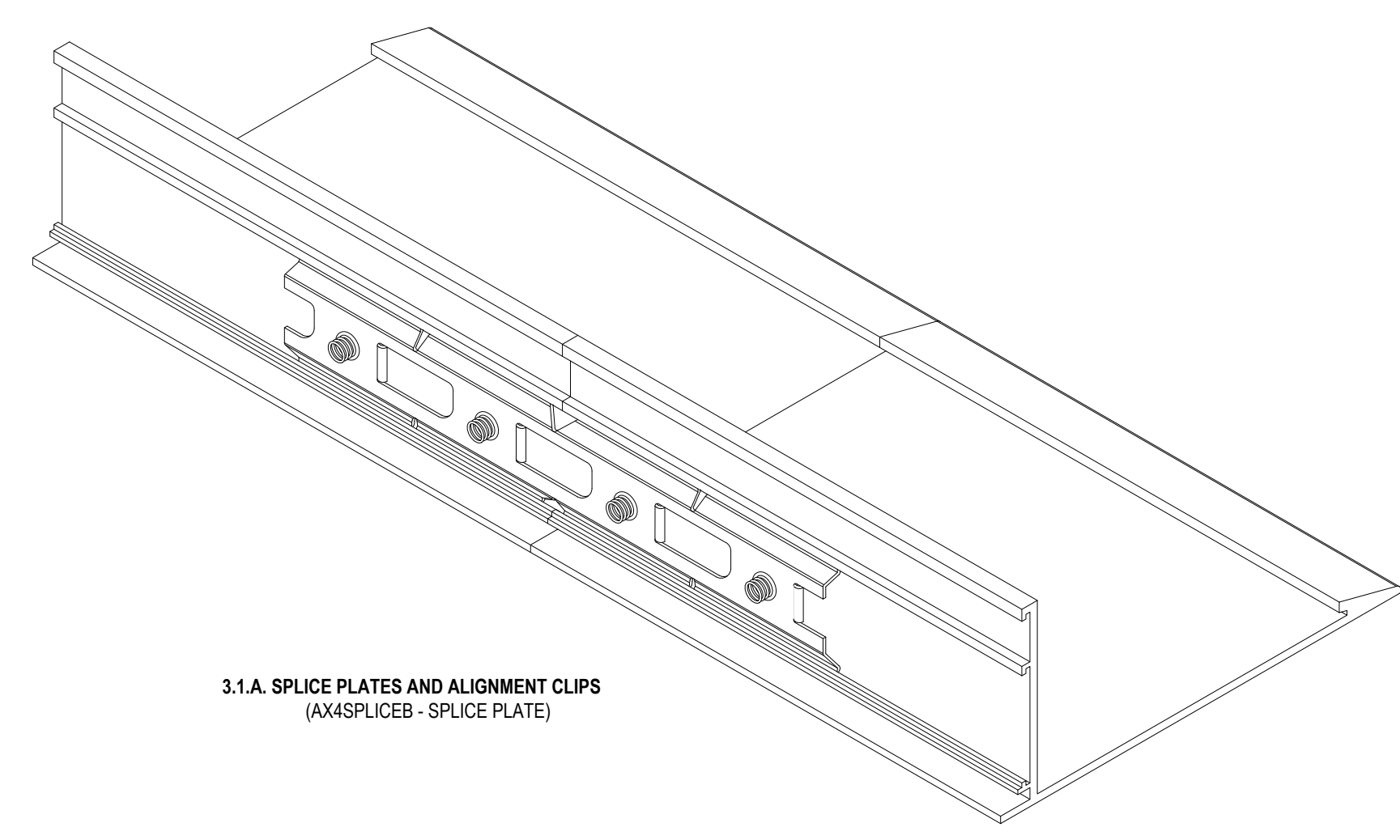
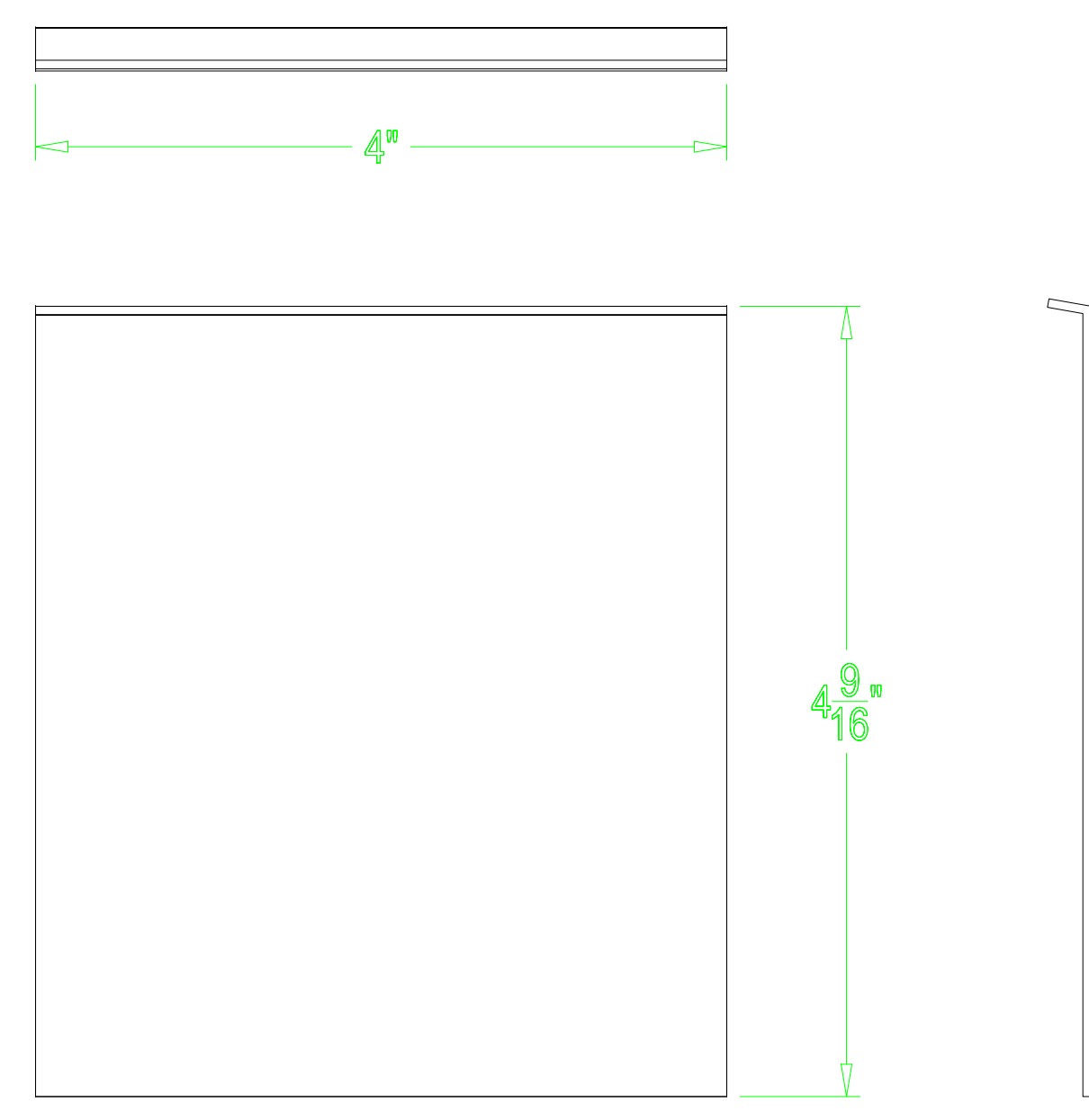


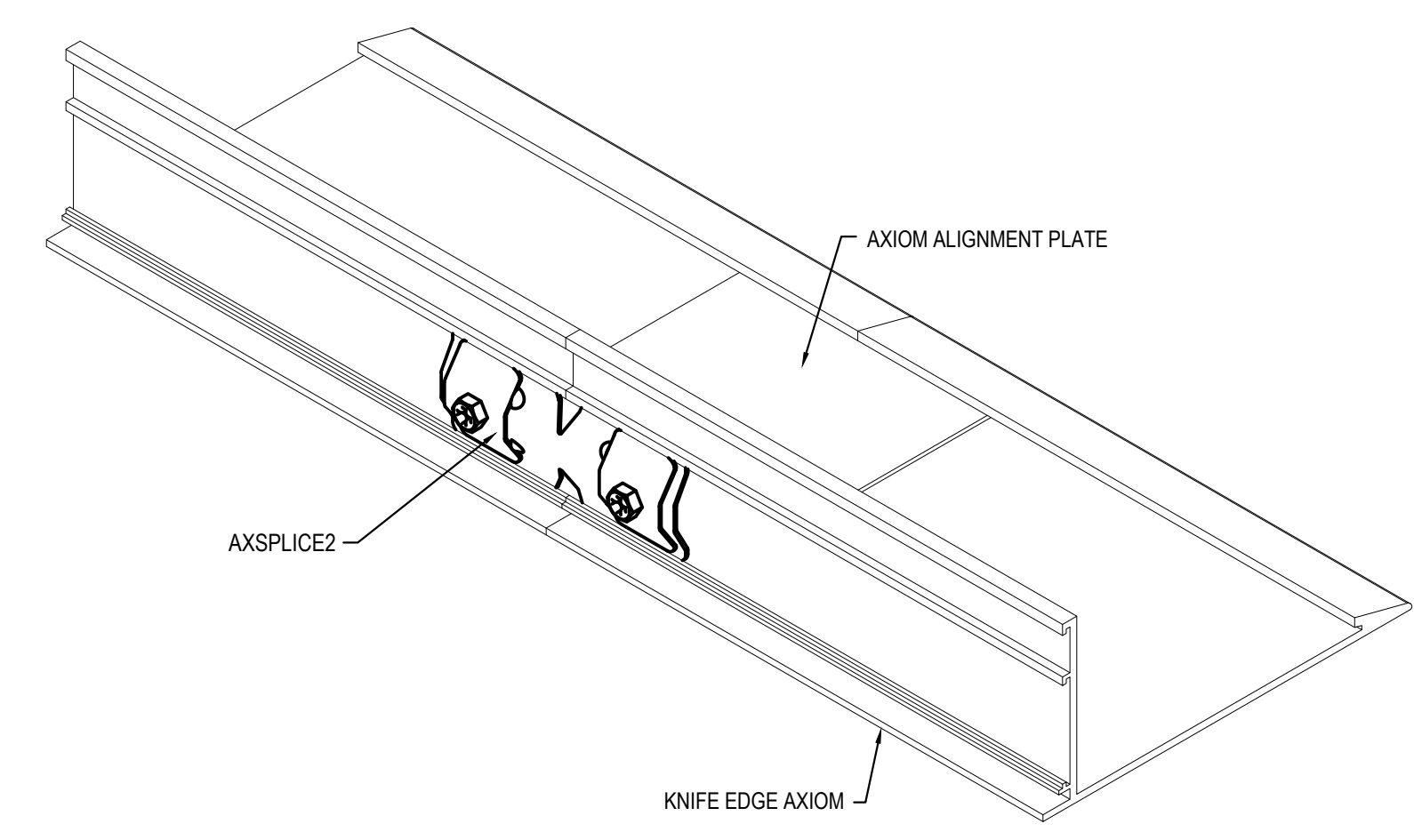
AXIOM KNIFE EDGE PROFILES



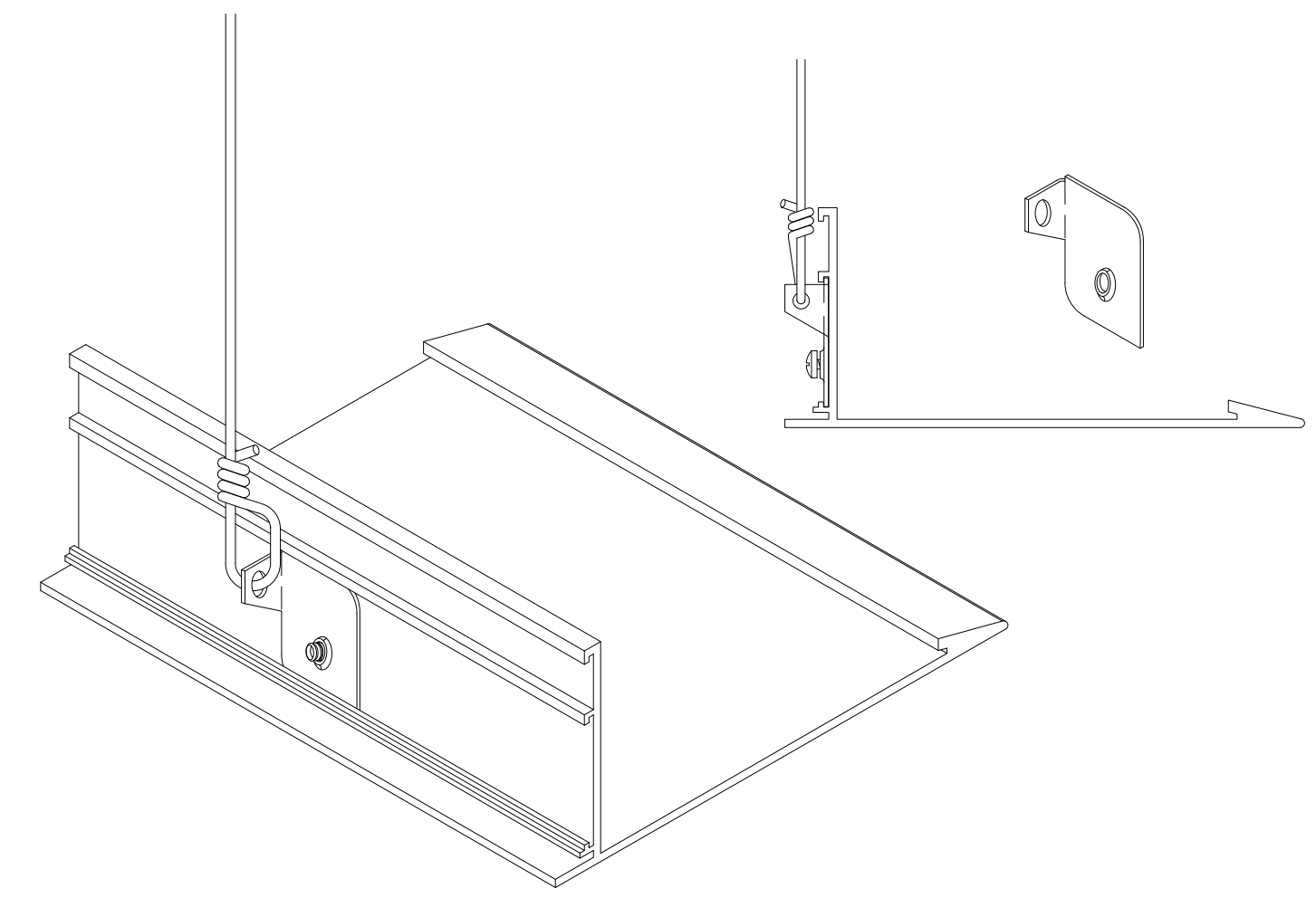
3.1.A. SPLICE PLATES AND ALIGNMENT CLIPS
 (AX4SPUCEB - SPLICE PLATE)



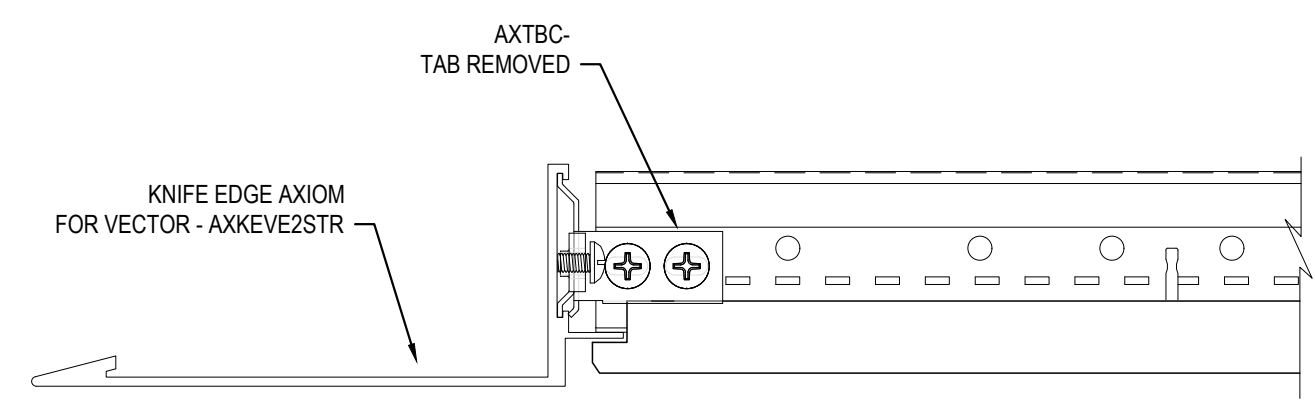
3.1.B. SPLICE PLATES AND ALIGNMENT CLIPS
 (AXKEALIGN - ALIGNMENT PLATE)



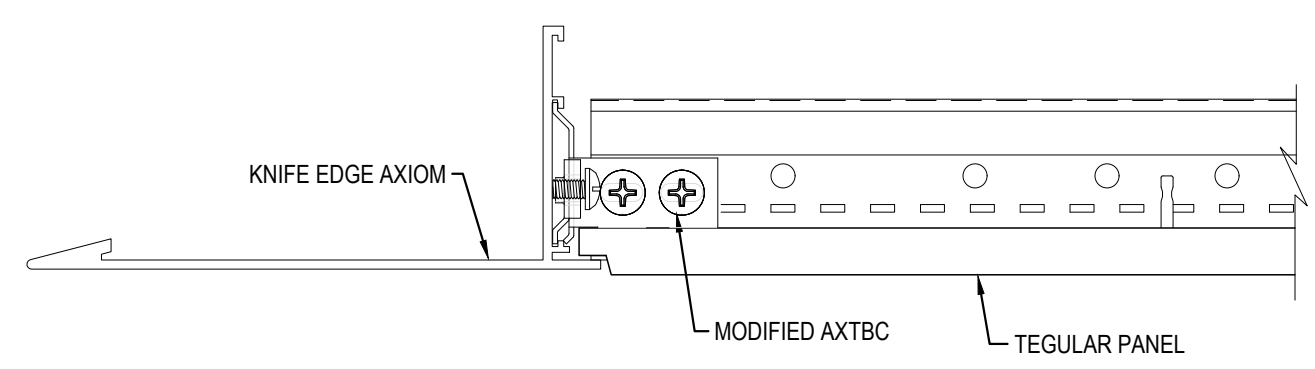
KNIFE EDGE AXIOM



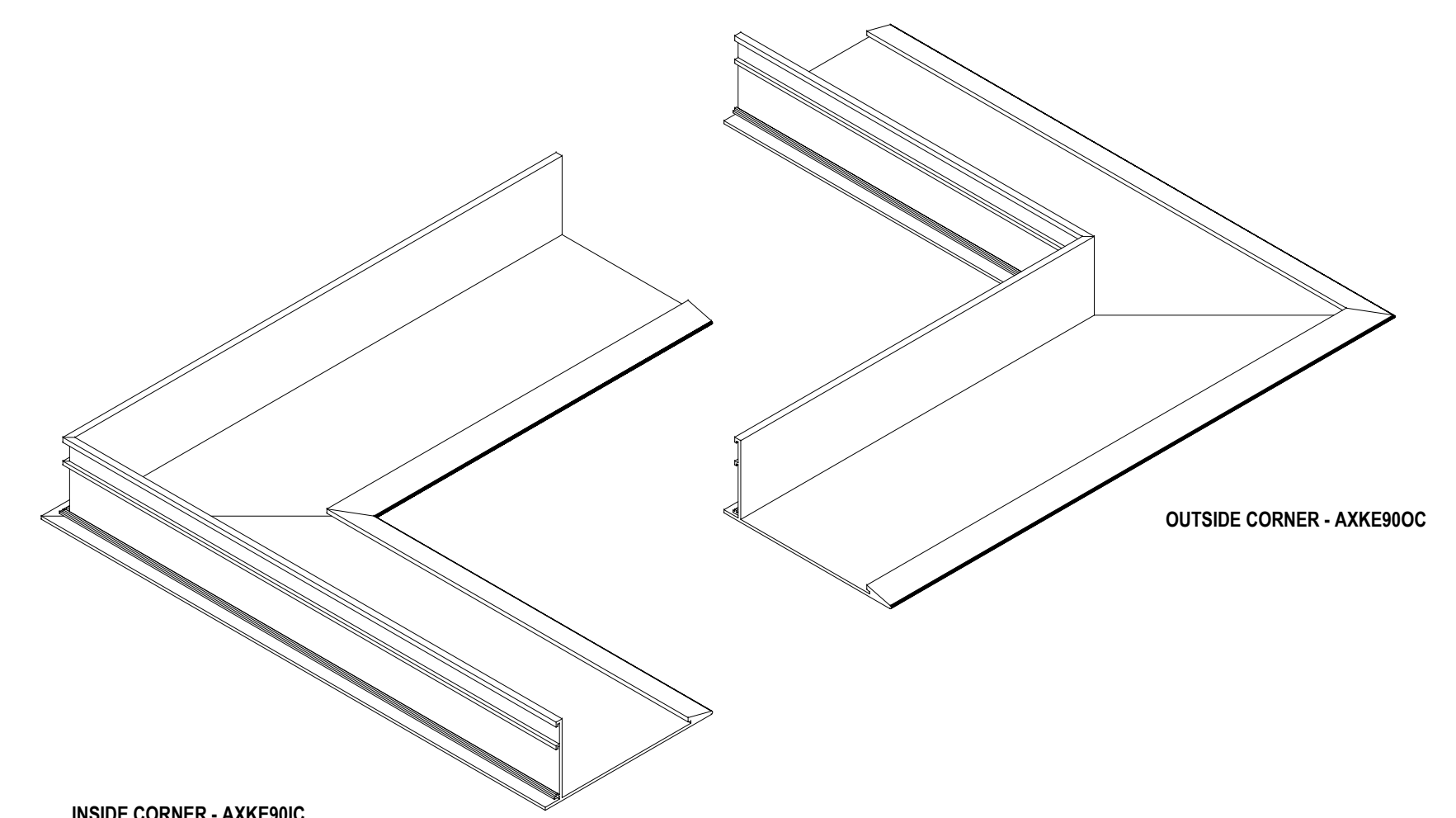
4.5.4. AX2HGC - HANGING CLIP



5. AXIOM KNIFE EDGE FOR VECTOR

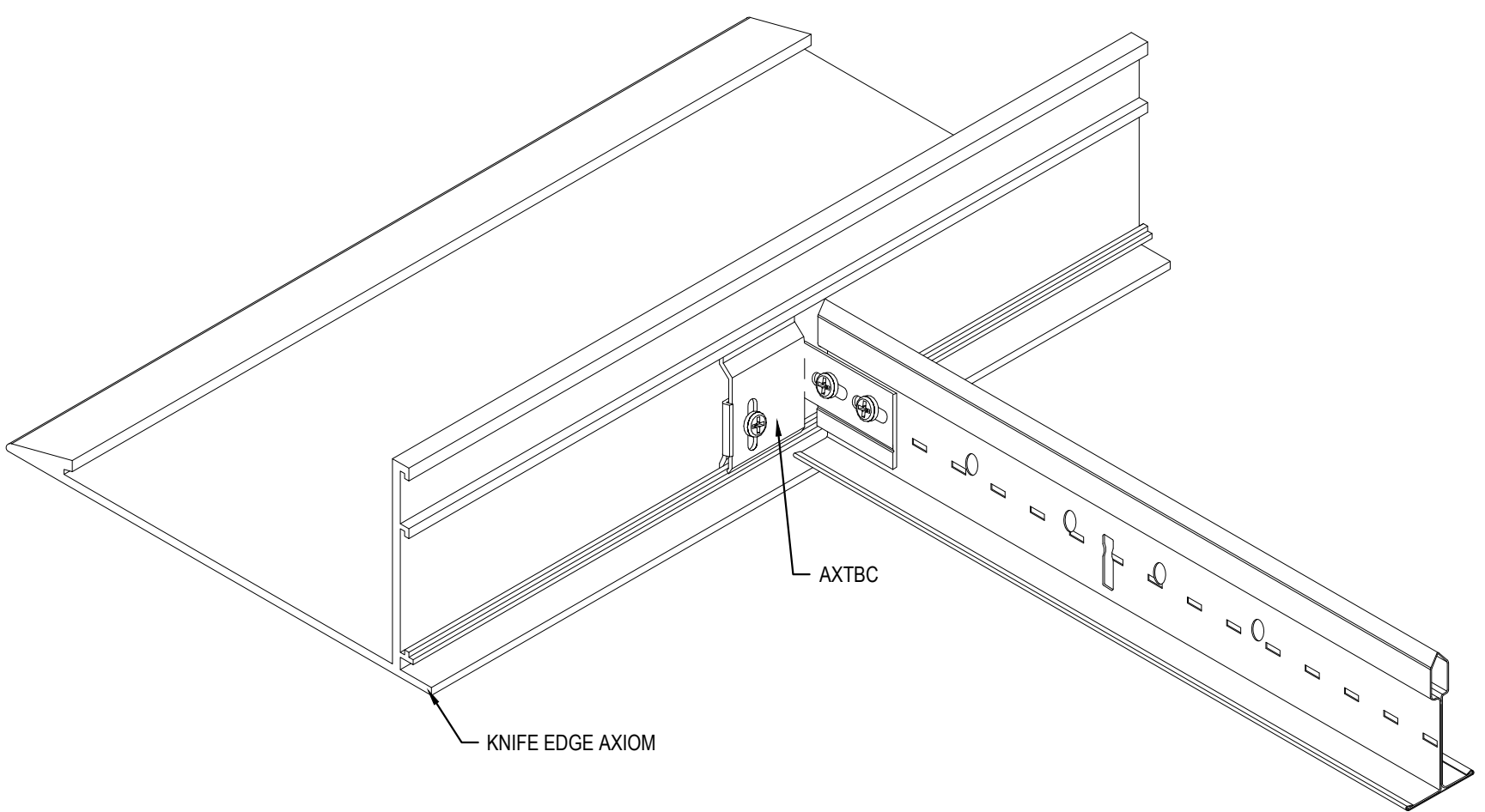


MODIFIED AXTBC
 REGULAR PANEL

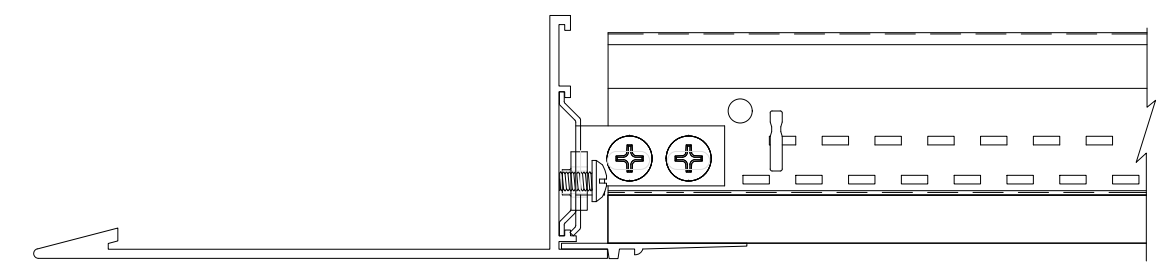


INSIDE CORNER - AXKE90IC

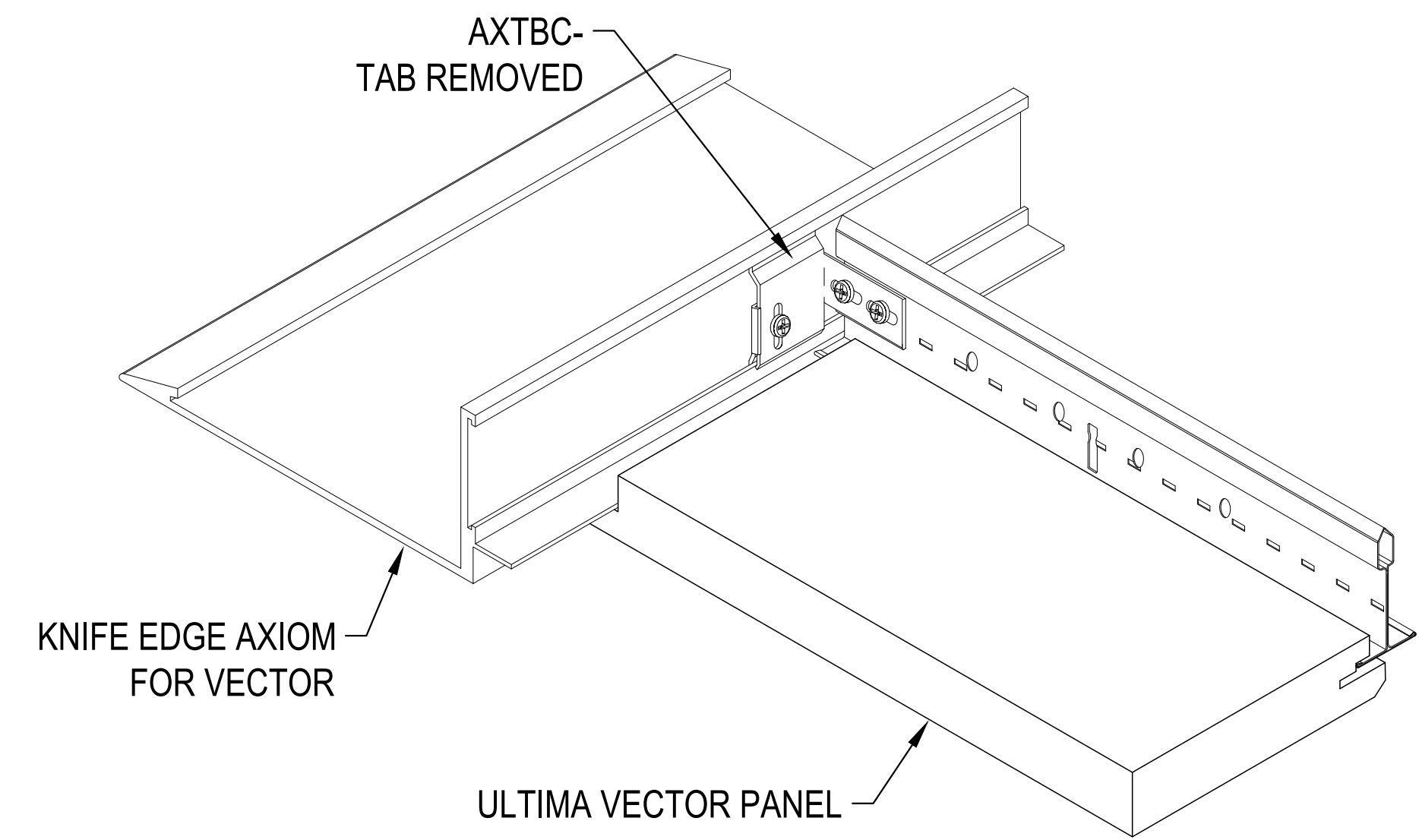
OUTSIDE CORNER - AXKE90OC



3.3. AXTC T-BAR CONNECTION CLIPS - SUSPENDED CEILING

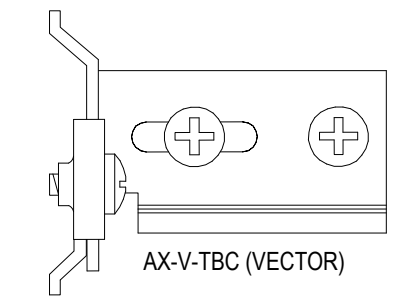


3.4. DRYWALL TRIM

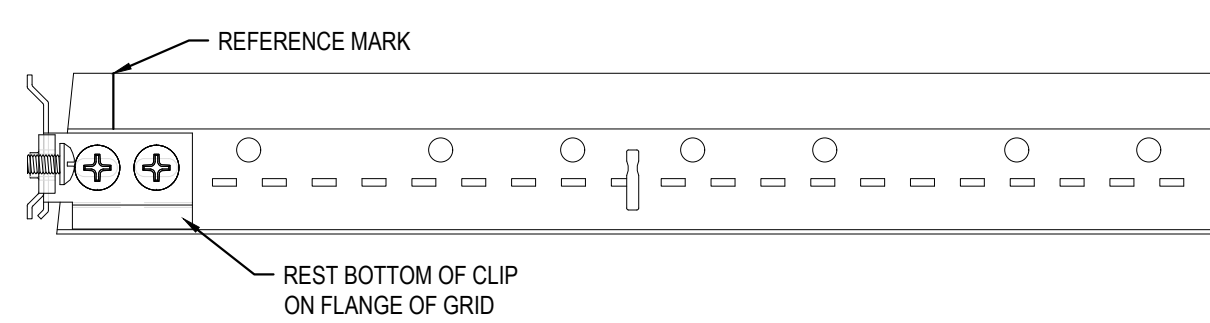


KNIFE EDGE AXIOM FOR VECTOR

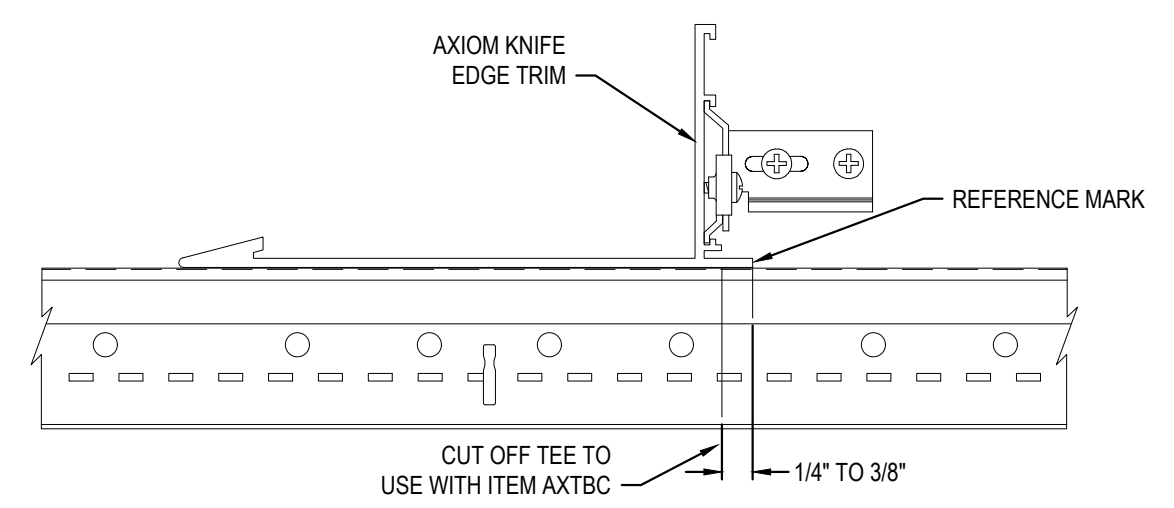
ULTIMA VECTOR PANEL



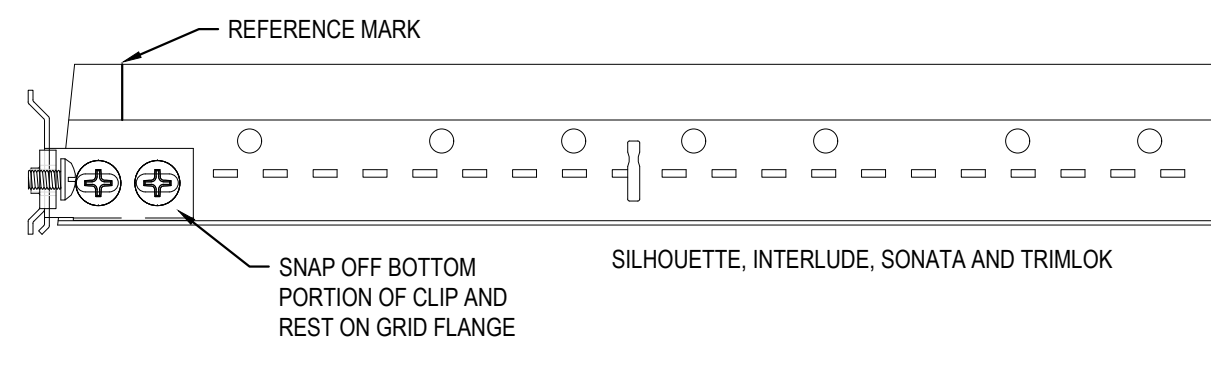
3.5. T-BAR CONNECTOR CLIP INSTALLATION - DRYWALL



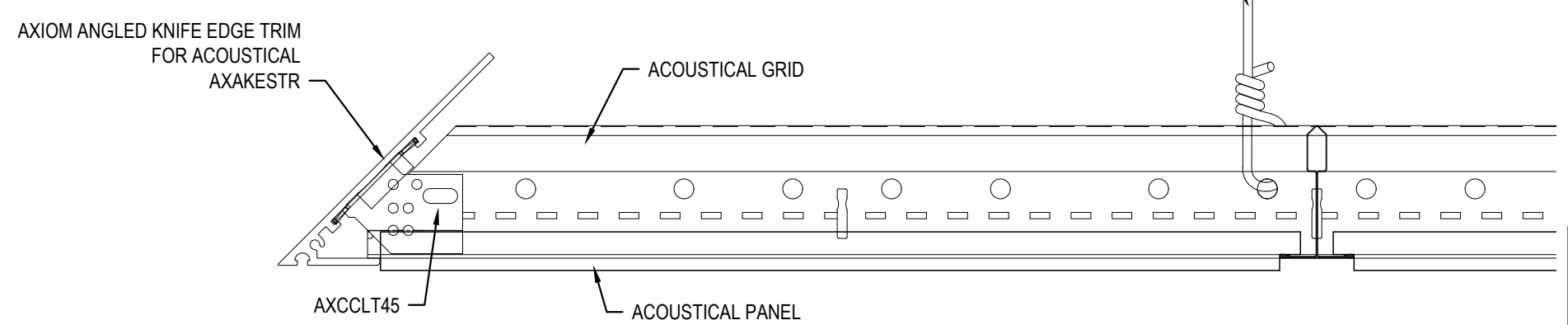
4.3.5.1. T-BAR GRID THAT WILL REST ON THE LOWER FLANGE OF THE AXIOM TRIM



4.3.2. REFERENCE MARKS
 (MARK THE LOCATION WHERE THE OPEN SIDE OF THE AXIOM TRIM RESTS ON THE GRID MEMBERS)



4.3.5.2. SNAP OFF BOTTOM OF CLIP AND REST ON GRID FLANGE

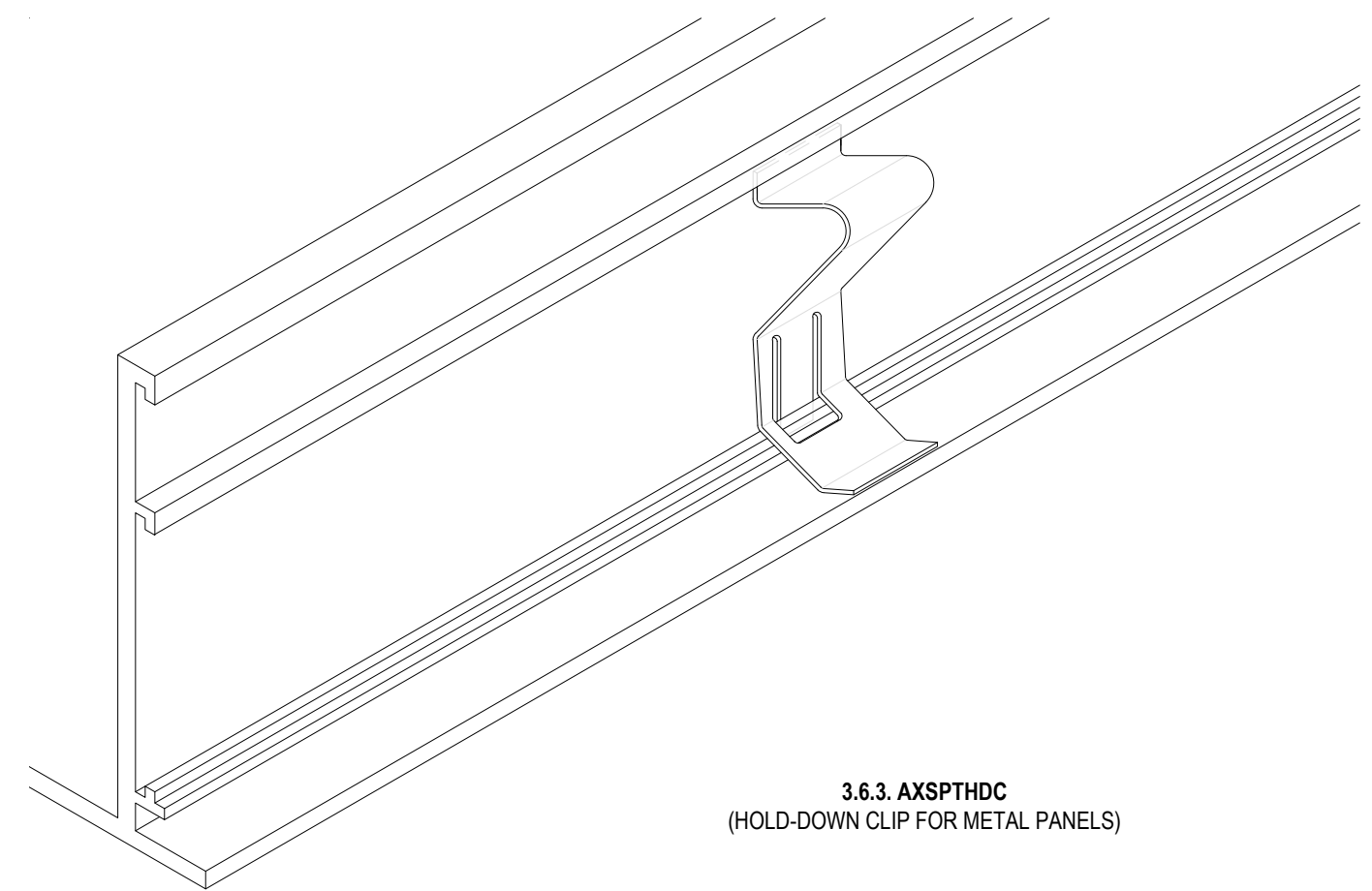


AXIOM ANGLED KNIFE EDGE TRIM FOR ACOUSTICAL AXAKESTR

ACOUSTICAL GRID

ACOUSTICAL PANEL

HANGER WIRE TO STRUCTURE



3.6.3. AXSPHDC
 (HOLD-DOWN CLIP FOR METAL PANELS)

These drawings show typical conditions in which the Armstrong product depicted is installed. They are not a substitute for an architect's or engineer's plan and do not reflect the unique requirements of local building codes, laws, ordinances, rules and regulations (Legal Requirements) that may be applicable for a particular installation.

Armstrong does not warrant, and assumes no liability for the accuracy or completeness of the drawings for a particular installation or their fitness for a particular purpose. The user is advised to consult with a duly licensed architect or engineer in the particular locale of the installation to assure compliance with all Legal Requirements.

Armstrong is not licensed to provide professional architecture or engineering design services.

PROJECT NAME: AXIOM KNIFE-EDGE PERIMETER TRIM LITERATURE DETAILS	REV: .	DATE: .
DWG. NO. SHEET 1	SCALE:	DESC: .
DATE: 6/16/2020	DRAWN BY: MAP	CHK BY: .

ARMSTRONG CEILING SYSTEMS * ARMSTRONG WORLD INDUSTRIES, INC. * Lancaster, PA * Phone: 877-ARMSTRONG