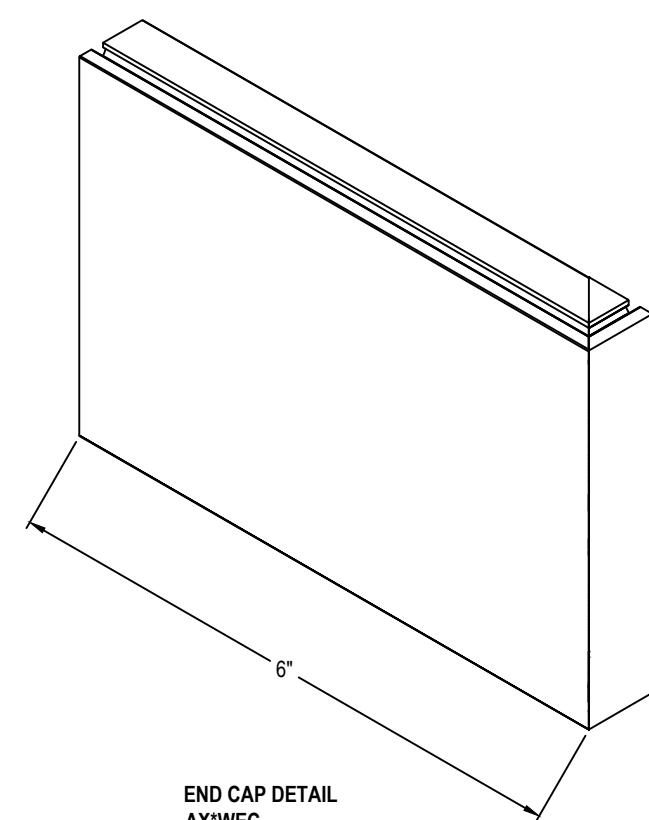
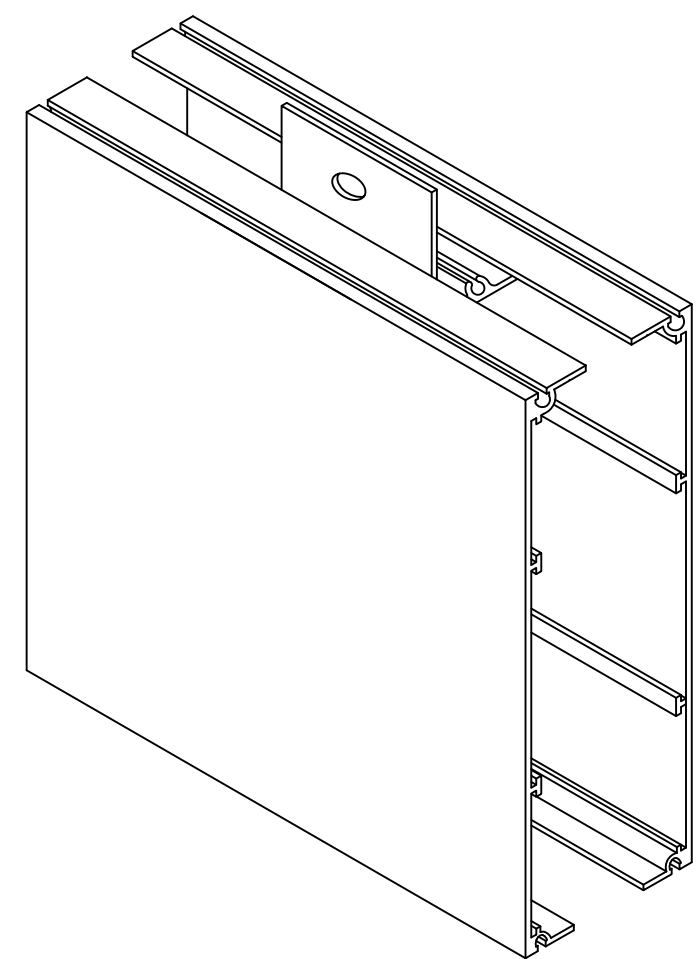
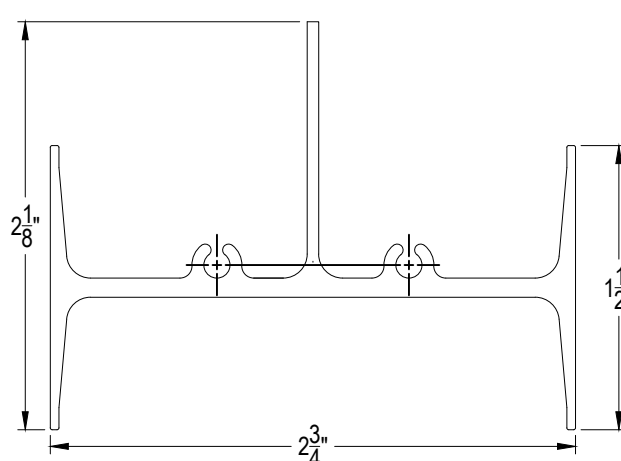
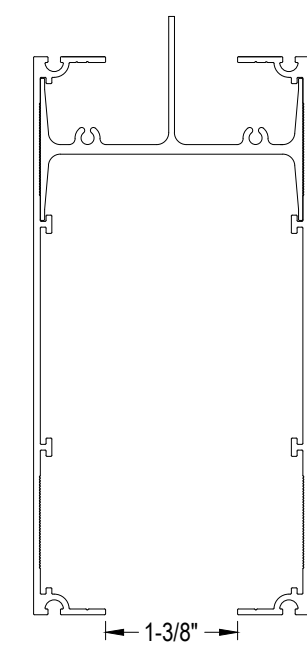


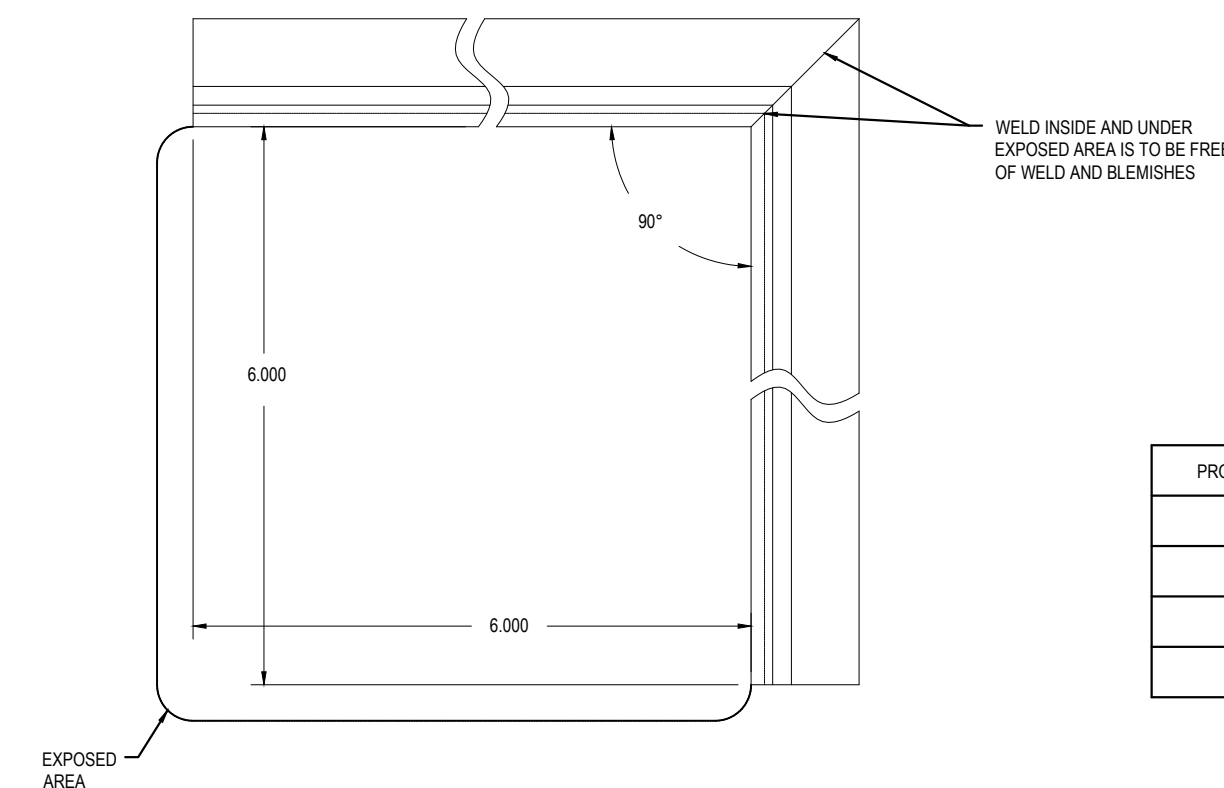
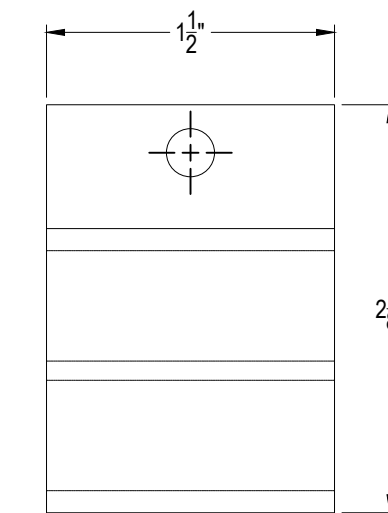
HANGING BRACKET FOR 5/8" REVEAL
(XPHANG58)



END CAP DETAIL
AXWEC

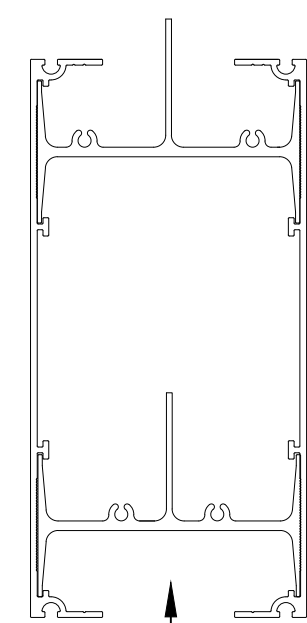


EXTRUDED HANGER 1-3/8" REVEAL
- AXPHANG118

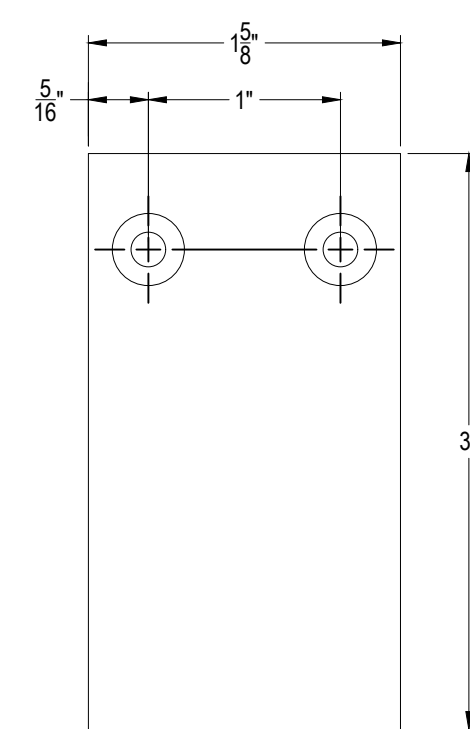
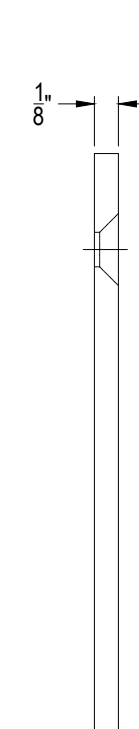
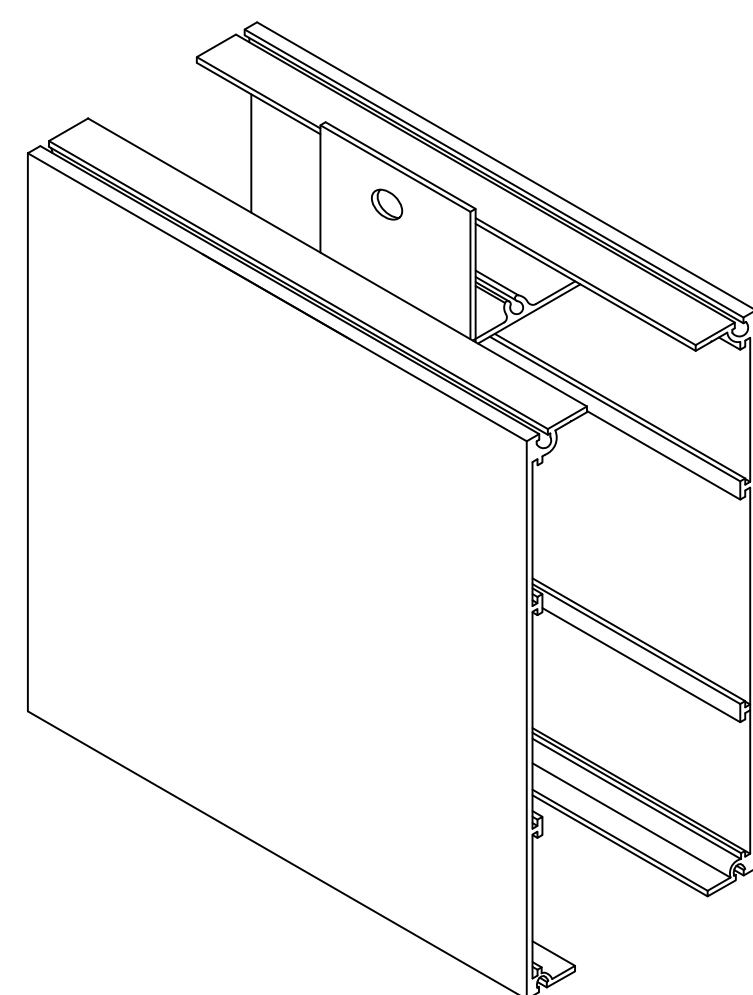


PRODUCT NO.	"A"	MAKE FROM
1.930		AX-2
3.875		AX-4
5.813		AX-6
7.813		AX-8

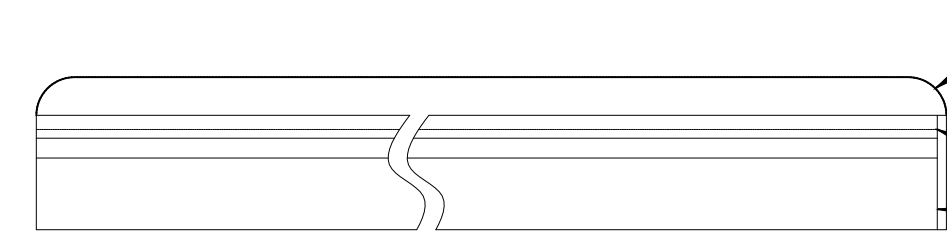
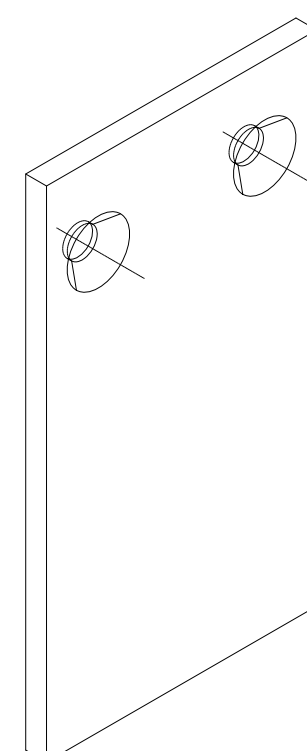
INSIDE CORNER - AXIOM PAIRED
5/8" AND 1-3/8" REVEAL



HANGING BRACKET FOR 1-3/8" REVEAL
(XPHANG118)

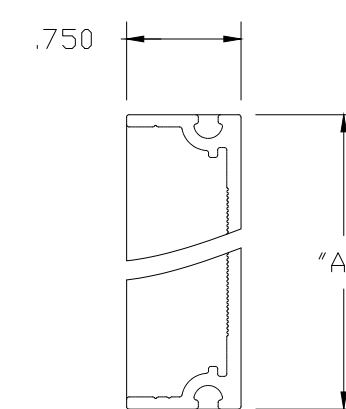
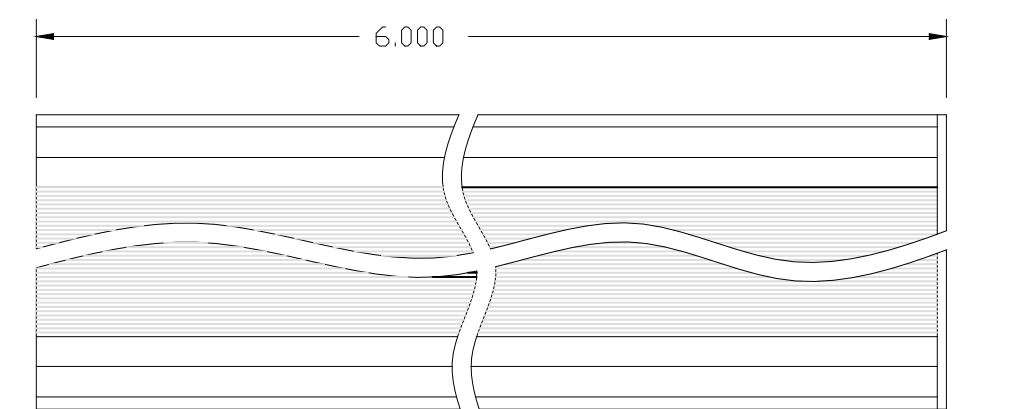


ADAPTER PLATE
AXPAP

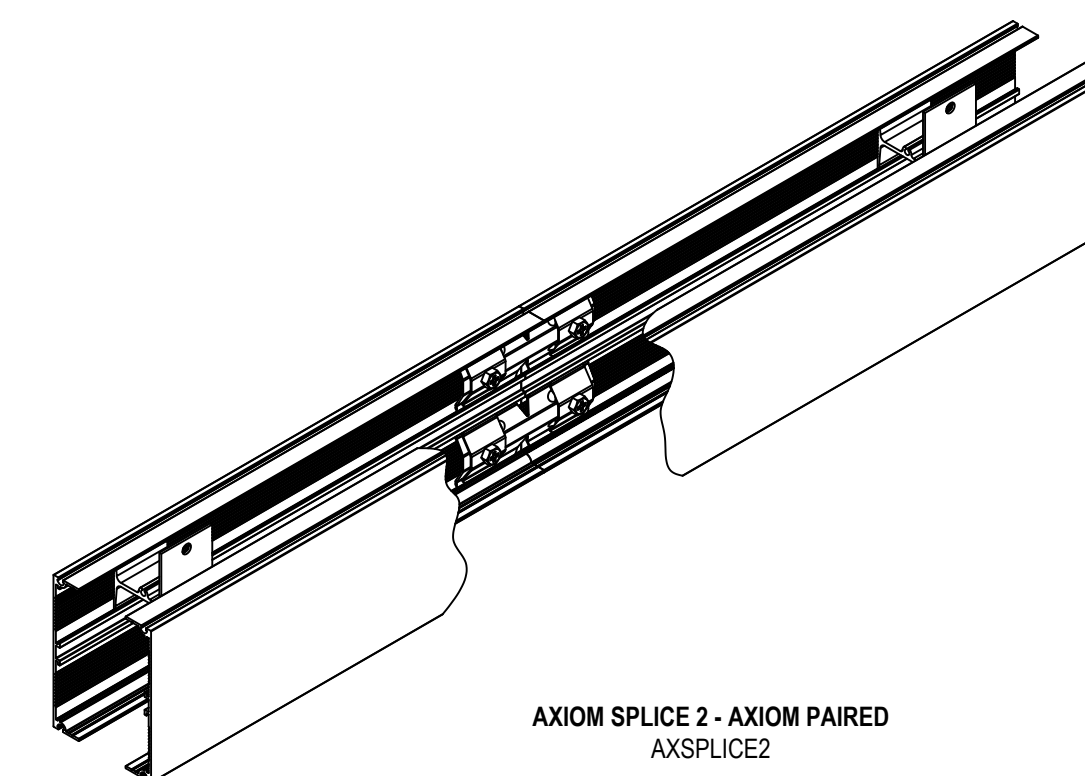


EXPOSED AREA
WELD INSIDE AND UNDER
EXPOSED AREA IS TO BE FREE
OF WELD AND BLEMISHES

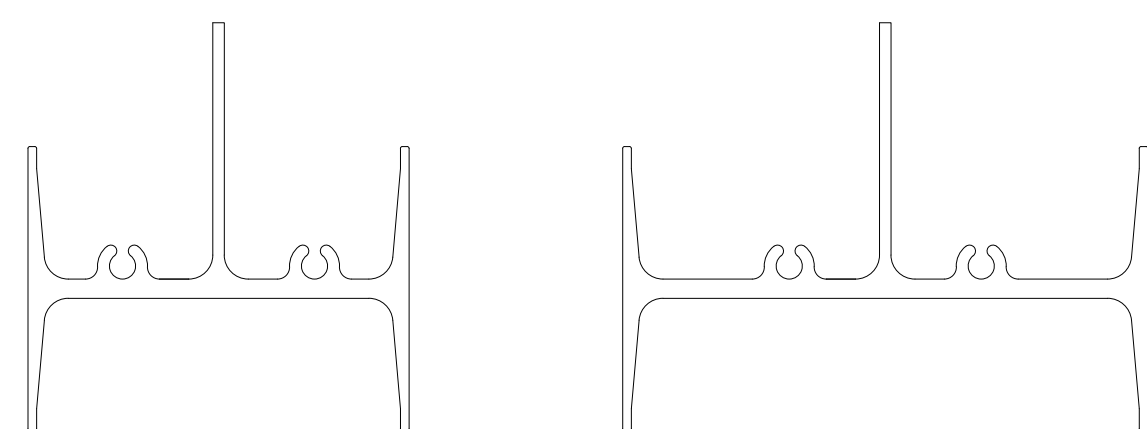
PRODUCT NO.	"A"	MAKE FROM
1.930		AX-2
3.875		AX-4
5.813		AX-6
7.813		AX-8



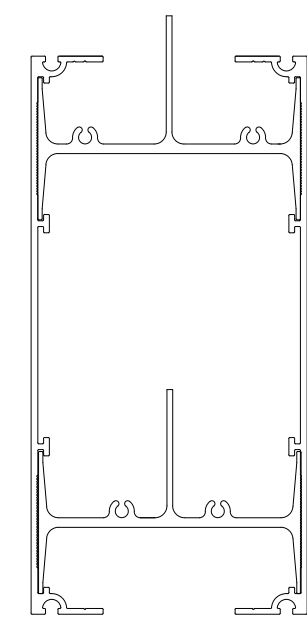
END CAP - AXIOM PAIRED
5/8" AND 1-3/8" REVEAL



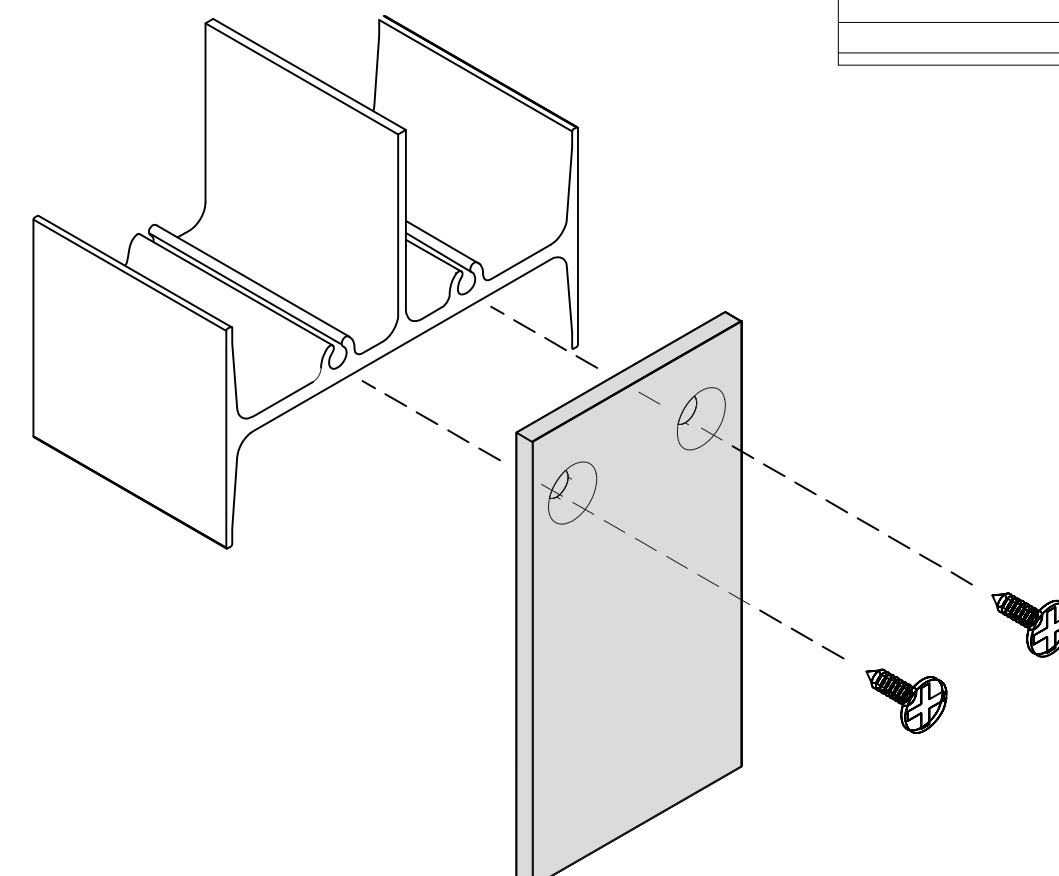
AXIOM SPLICE 2 - AXIOM PAIRED
AXSPLICE2



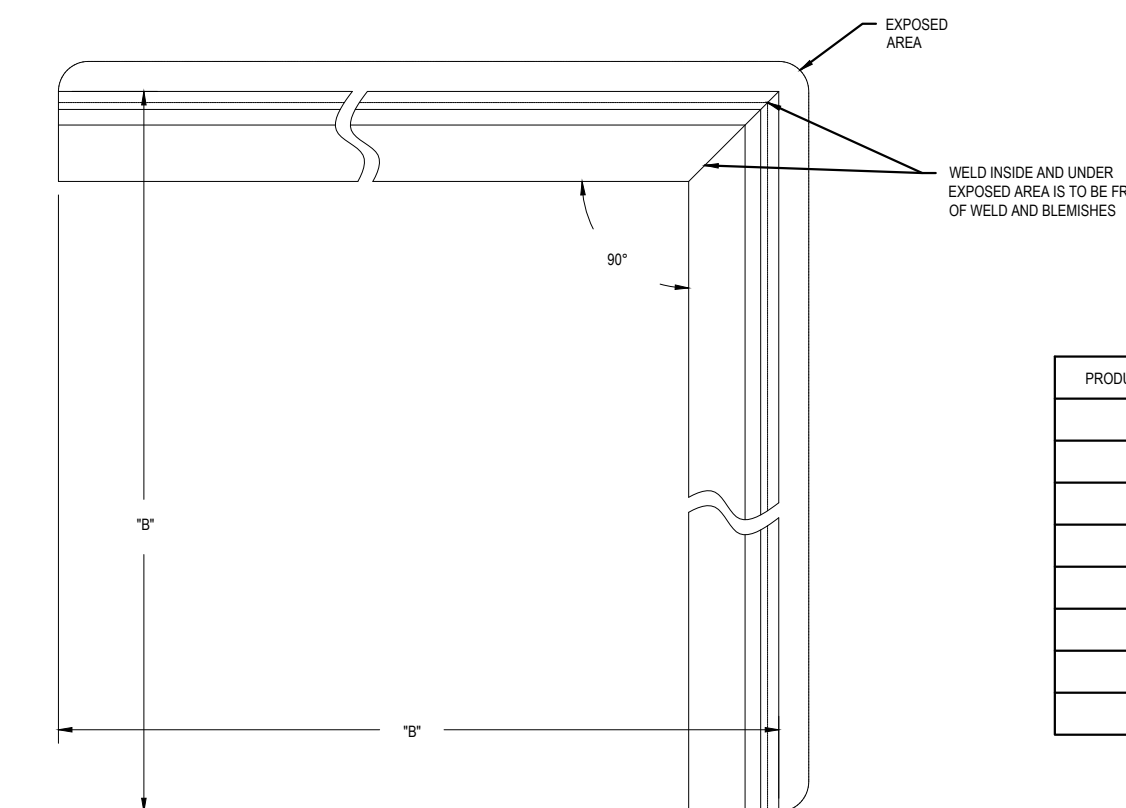
HANGING BRACKET OPTIONS FOR AXIOM PAIRED



AXIOM PAIRED CLASSIC

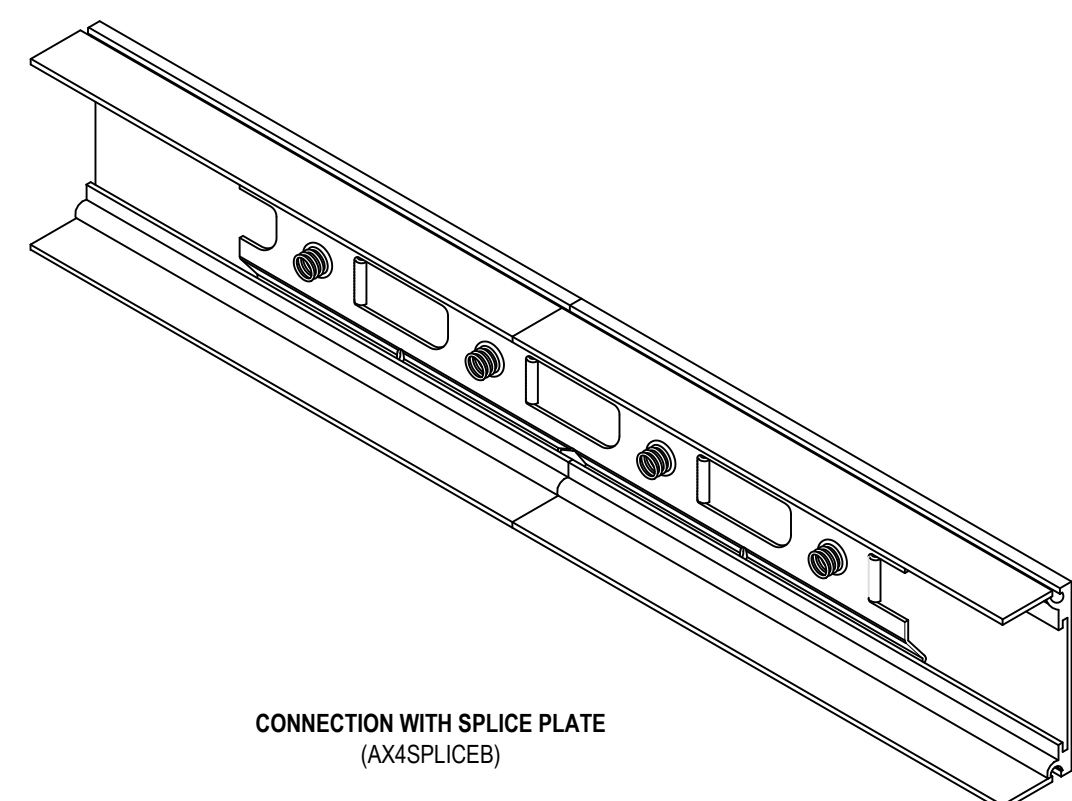


ADAPTER PLATE TO MOUNT AN ELECTRICAL BOX
(AXPAP)

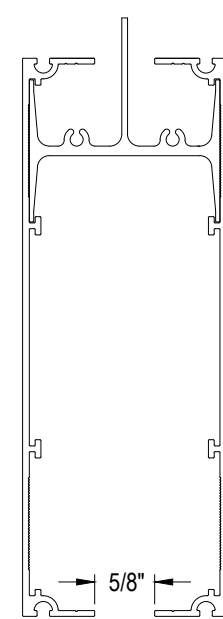


PRODUCT NO.	"A"	"B"	REVEAL	MAKE FROM
1.930	8.171	.671		AX-2
3.875	8.125	.625		AX-4
5.813	8.125	.625		AX-6
7.813	8.171	.671		AX-8
1.930	8.921	1.421		AX-2
3.875	8.875	1.375		AX-4
5.813	8.875	1.375		AX-6
7.813	8.921	1.421		AX-8

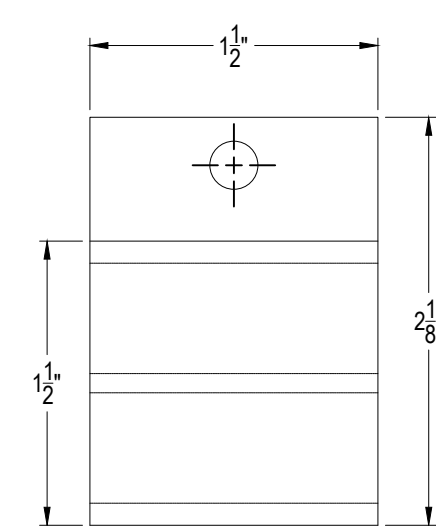
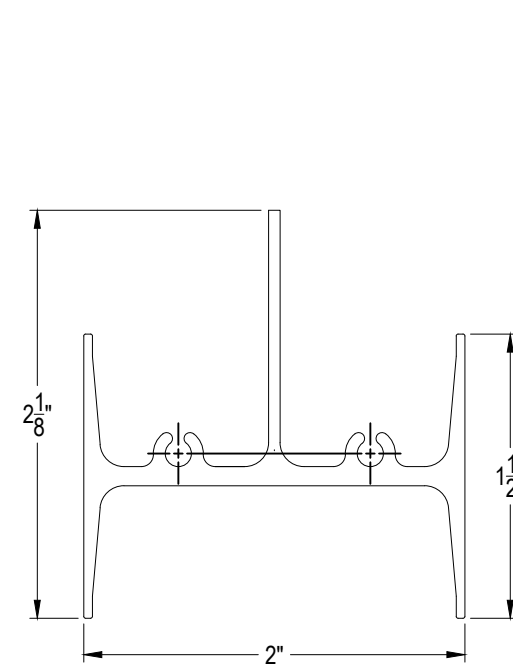
OUTSIDE CORNER - AXIOM PAIRED
5/8" AND 1-3/8" REVEAL



CONNECTION WITH SPLICE PLATE
(AX4SPLICEB)



EXTRUDED HANGER FOR 5/8" REVEAL - AXPHANG58



These drawings show typical conditions in which the Armstrong product depicted is installed. They are not a substitute for an architect's or engineer's plan and do not reflect the unique requirements of local building codes, laws, ordinances, rules and regulations (Legal Requirements) that may be applicable for a particular installation.

Armstrong does not warrant, and assumes no liability for the accuracy or completeness of the drawings for a particular installation or their fitness for a particular purpose. The user is advised to consult with a duly licensed architect or engineer in the particular locale of the installation to assure compliance with all Legal Requirements.

Armstrong is not licensed to provide professional architecture or engineering design services.

PROJECT NAME: **AXIOM - PAIRED LITERATURE DETAILS**

DWG. NO. **SHEET 1** REV: . DATE: .

DATE: **6/16/2020** SCALE: . DESC: .

DRAWN BY: **MAP** CHK BY: .

Techn ARMSTRONG CEILING SYSTEMS * ARMSTRONG WORLD INDUSTRIES, INC. * Lancaster, PA * Phone: 877-ARMSTRONG **Armstrong**