

AXIOM TRANSITIONS MASTER SHEET

| SHEET # | DETAIL # | DRAWING |
|---------|--------------|---|
| 4 | A-A003-MS-01 | MASTER SHEET |
| 5 | A-A003-MS-02 | MASTER SHEET |
| 6 | A-A003-MS-03 | MASTER SHEET |
| 7 | A-A003-MS-04 | MASTER SHEET |
| 8 | A-A003-MS-05 | MASTER SHEET |
| 9 | A-A003-MS-06 | MASTER SHEET |
| 10 | A-A003-DD-01 | AXIOM TRANSITION TRIMS |
| 11 | A-A003-DD-02 | 2" AXIOM TRANSITION DRYWALL TO DRYWALL AXTR2STR/CUR |
| 12 | A-A003-DD-03 | 1-1/4" AXIOM TRANSITION DRYWALL TO ACT AXTR2STR/CUR |
| 13 | A-A003-DD-04 | 2-3/4" AXIOM TRANSITION ACT TO DRYWALL AXTR2STR/CUR |
| 14 | A-A003-DD-05 | 2" AXIOM TRANSITION ACT TO ACT AXTR2STR/CUR |
| 15 | A-A003-DD-06 | 4" AXIOM TRANSITION DRYWALL TO DRYWALL AXTR4STR/CUR |
| 16 | A-A003-DD-07 | 3-1/4" AXIOM TRANSITION DRYWALL TO ACT AXTR4STR/CUR |
| 17 | A-A003-DD-08 | 4-3/4" AXIOM TRANSITION - ACT TO DRYWALL AXTR4STR/CUR |
| 18 | A-A003-DD-09 | 4" AXIOM TRANSITION ACT TO ACT AXTR4STR/CUR |
| 19 | A-A003-DD-10 | 6" AXIOM TRANSITION DRYWALL TO DRYWALL AXTR6STR/CUR |
| 20 | A-A003-DD-11 | 5-1/4" AXIOM TRANSITION DRYWALL TO ACT AXTR6STR/CUR |
| 21 | A-A003-DD-12 | 6-3/4" AXIOM TRANSITION ACT TO DRYWALL AXTR6STR/CUR |
| 22 | A-A003-DD-13 | 6" AXIOM TRANSITION ACT TO ACT AXTR6STR/CUR |
| 23 | A-A003-DD-14 | 8" AXIOM TRANSITION DRYWALL TO DRYWALL AXTR8STR/CUR |
| 24 | A-A003-DD-15 | 7-1/4" AXIOM TRANSITION DRYWALL TO ACT AXTR8STR/CUR |

These drawings show typical conditions in which the Armstrong product depicted is installed. They are not a substitute for an architect's or engineer's plan and do not reflect the unique requirements of local building codes, laws, statutes, ordinances, rules and regulations (Legal Requirements) that may be applicable for a particular installation.

Armstrong does not warrant, and assumes no liability for the accuracy or completeness of the drawings for a particular installation or their fitness for a particular purpose. The user is advised to consult with a duly licensed architect or engineer in the particular locale of the installation to assure compliance with all Legal Requirements.

Armstrong is not licensed to provide professional architecture or engineering design services.

PROJECT NAME: **AXIOM TRANSITIONS MASTER SHEET**

DWG. NO. **A-A003-MS-00**

REV: . DATE: .

DATE: **1/10/25**

SCALE:

DESC.: .

DRAWN BY: **DAG**

CHK BY: .



CEILING & WALL SOLUTIONS * ARMSTRONG WORLD INDUSTRIES, INC. * Lancaster, PA * Phone: 877-ARMSTRONG



AXIOM TRANSITIONS MASTER SHEET

| SHEET # | DETAIL # | DRAWING |
|---------|--------------|---|
| 25 | A-A003-DD-16 | 8-3/4" AXIOM TRANSITION ACT TO DRYWALL AXTR8STR/CUR |
| 26 | A-A003-DD-17 | 8" AXIOM TRANSITION ACT TO ACT AXTR8STR/CUR |
| 27 | A-A003-DD-18 | 10" AXIOM TRANSITION DRYWALL TO DRYWALL AXTR10STR/CUR |
| 28 | A-A003-DD-19 | 9-1/4" AXIOM TRANSITION DRYWALL TO ACT AXTR10STR/CUR |
| 29 | A-A003-DD-20 | 10-3/4" AXIOM TRANSITION ACT TO DRYWALL AXTR10STR/CUR |
| 30 | A-A003-DD-21 | 10" AXIOM TRANSITION ACT TO ACT AXTR10STR/CUR |
| 31 | A-A003-DD-22 | 12" AXIOM TRANSITION DRYWALL TO DRYWALL AXTR12STR/CUR |
| 32 | A-A003-DD-23 | 11-1/4" AXIOM TRANSITION DRYWALL TO ACT AXTR12STR/CUR |
| 33 | A-A003-DD-24 | 12-3/4" AXIOM TRANSITION ACT TO DRYWALL AXTR12STR/CUR |
| 34 | A-A003-DD-25 | 12" AXIOM TRANSITION ACT TO ACT AXTR12STR/CUR |
| 35 | A-A003-DD-26 | INSIDE 90° CORNER AXTR10Q SIS |
| 36 | A-A003-DD-27 | OUTSIDE 90° CORNER AXTR10Q SOS |
| 37 | A-A003-DD-28 | AXIOM 4" FIELD FACE PLATE AXFFP4 |
| 38 | A-A003-DD-29 | AXIOM 6" FIELD FACE PLATE AXFFP6 |
| 39 | A-A003-DD-30 | AXIOM TRANSITION VECTOR TO DRYWALL AXTRVEST R |
| 40 | A-A003-DD-31 | AXIOM VECTOR TRANSITION TO DRYWALL AXTRVEST R |
| 41 | A-A003-DD-32 | AXIOM TRANSITION TEGULAR TO DRYWALL AXTR7907STR/CUR |
| 42 | A-A003-DD-33 | AXIOM TEGULAR TRANSITION TO DRYWALL AXTR7907STR/CUR |
| 43 | A-A003-DD-34 | AXIOM TEGULAR SPLICED AXTR7907STR/CUR |
| 44 | A-A003-DD-35 | AXIOM 9/16" SHADOW REVEAL AXTR7901STR/CUR |
| 45 | A-A003-DD-36 | DRYWALL TO ACT TRANSITION AXTR7901STR/CUR |

These drawings show typical conditions in which the Armstrong product depicted is installed. They are not a substitute for an architect's or engineer's plan and do not reflect the unique requirements of local building codes, laws, statutes, ordinances, rules and regulations (Legal Requirements) that may be applicable for a particular installation.

Armstrong does not warrant, and assumes no liability for the accuracy or completeness of the drawings for a particular installation or their fitness for a particular purpose. The user is advised to consult with a duly licensed architect or engineer in the particular locale of the installation to assure compliance with all Legal Requirements.

Armstrong is not licensed to provide professional architecture or engineering design services.

PROJECT NAME: **AXIOM TRANSITIONS MASTER SHEET**

DWG. NO. **A-A003-MS-00**

REV: . DATE: .

DATE: **1/10/25**

SCALE:

DESC.: .

DRAWN BY: **DAG**

CHK BY: .



CEILING & WALL SOLUTIONS * ARMSTRONG WORLD INDUSTRIES, INC. * Lancaster, PA * Phone: 877-ARMSTRONG



AXIOM TRANSITIONS MASTER SHEET

| SHEET # | DETAIL # | DRAWING |
|---------|--------------|--|
| 46 | A-A003-DD-37 | AXIOM 15/16" SHADOW REVEAL AXTR7902STR/CUR |
| 47 | A-A003-DD-38 | DRYWALL TO ACT TRANSITION AXTR7902STR/CUR |
| 48 | A-A003-DD-39 | AXIOM 15/16" FLUSH AXTR7904STR/CUR |
| 49 | A-A003-DD-40 | ACT TO DRYWALL TRANSITION AXTR7904STR/CUR |
| 50 | A-A003-DD-41 | AXIOM 9/16" FLUSH AXTR7905STR/CUR |
| 51 | A-A003-DD-42 | ACT TO DRYWALL TRANSITION AXTR7905STR/CUR |
| 52 | A-A003-DD-43 | AXIOM "F" VERTICAL AXTR7906STR/CUR |
| 53 | A-A003-DD-44 | DRYWALL TO ACT VERTICAL TRANSITION AXTR7906STR/CUR |
| 54 | A-A003-DD-45 | AXIOM TEGULAR TO DRYWALL AXTR7907STR/CUR |
| 55 | A-A003-DD-46 | DRYWALL TO ACT TRANSITION AXTR7907STR/CUR |
| 56 | A-A003-DD-47 | DRYWALL TO SILHOUETTE TRANSITION AXTR7907STR/CUR |
| 57 | A-A003-DD-48 | AXIOM TEGULAR TO DRYWALL AXTR7908STR/CUR |
| 58 | A-A003-DD-49 | ACT TO DRYWALL TRANSITION AXTR7908STR/CUR |
| 59 | A-A003-DD-50 | AXIOM 1" TRANSITION AXTR7909STR/CUR |
| 60 | A-A003-DD-51 | ACT TO DRYWALL TRANSITION AXTR7909STR/CUR |
| 61 | A-A003-DD-52 | AXIOM 1" TRANSITION AXTR7910STR/CUR |
| 62 | A-A003-DD-53 | ACT TO DRYWALL TRANSITION AXTR7910STR/CUR |
| 63 | A-A003-DD-54 | AXIOM DOUBLE SIDED CONNECTION AX15DSCSTR |
| 64 | A-A003-DD-55 | AXIOM DOUBLE SIDED CONNECTION AX15DSCCUR |
| 65 | A-A003-DD-56 | ACT TO ACT TRANSITION AX15DSCSTR/CUR |

These drawings show typical conditions in which the Armstrong product depicted is installed. They are not a substitute for an architect's or engineer's plan and do not reflect the unique requirements of local building codes, laws, statutes, ordinances, rules and regulations (Legal Requirements) that may be applicable for a particular installation.

Armstrong does not warrant, and assumes no liability for the accuracy or completeness of the drawings for a particular installation or their fitness for a particular purpose. The user is advised to consult with a duly licensed architect or engineer in the particular locale of the installation to assure compliance with all Legal Requirements.

Armstrong is not licensed to provide professional architecture or engineering design services.

PROJECT NAME: **AXIOM TRANSITIONS MASTER SHEET**

DWG. NO. **A-A003-MS-00**

REV: . DATE: .

DATE: **1/10/25**

SCALE:

DESC.: .

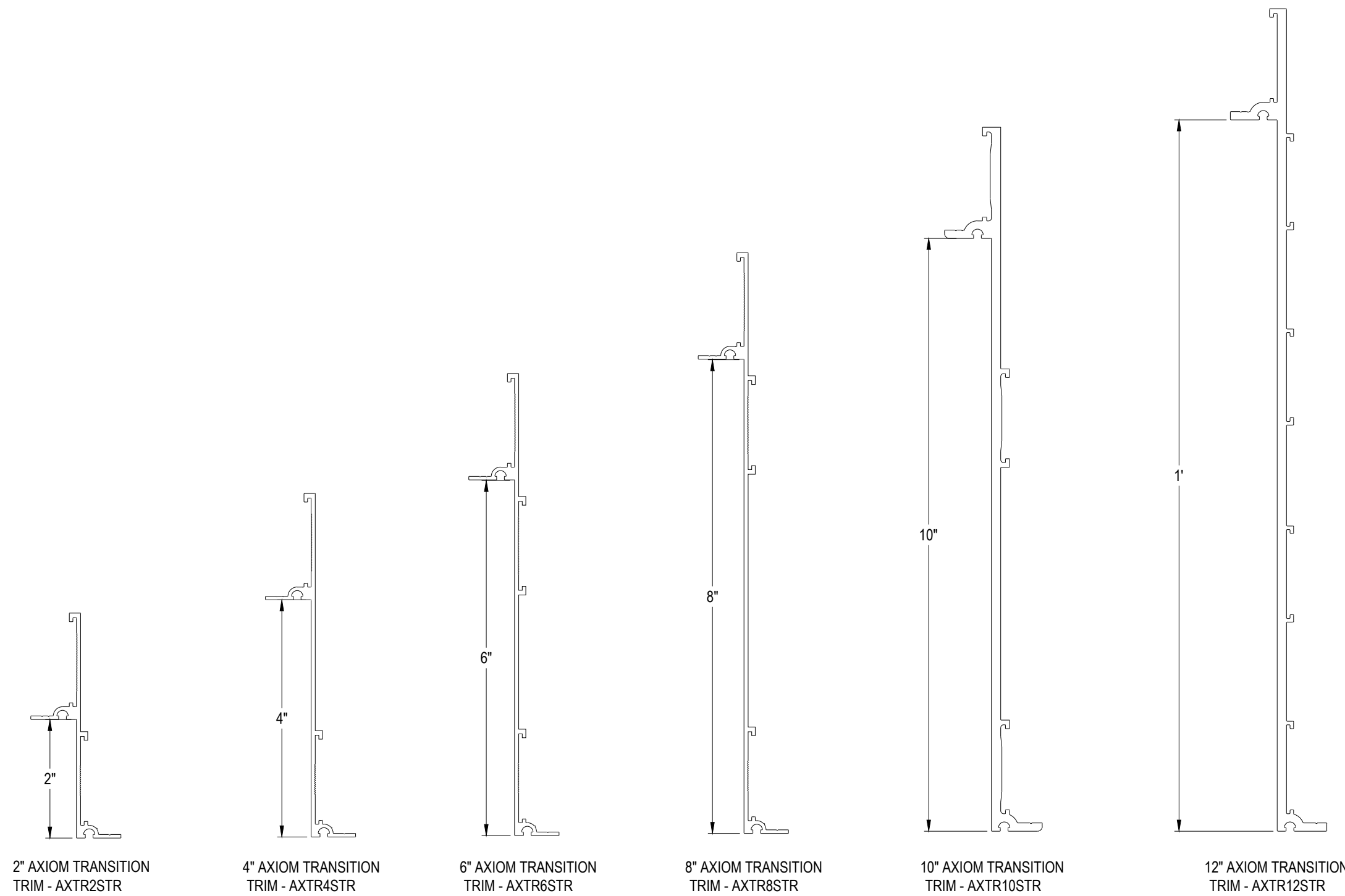
DRAWN BY: **DAG**

CHK BY: .



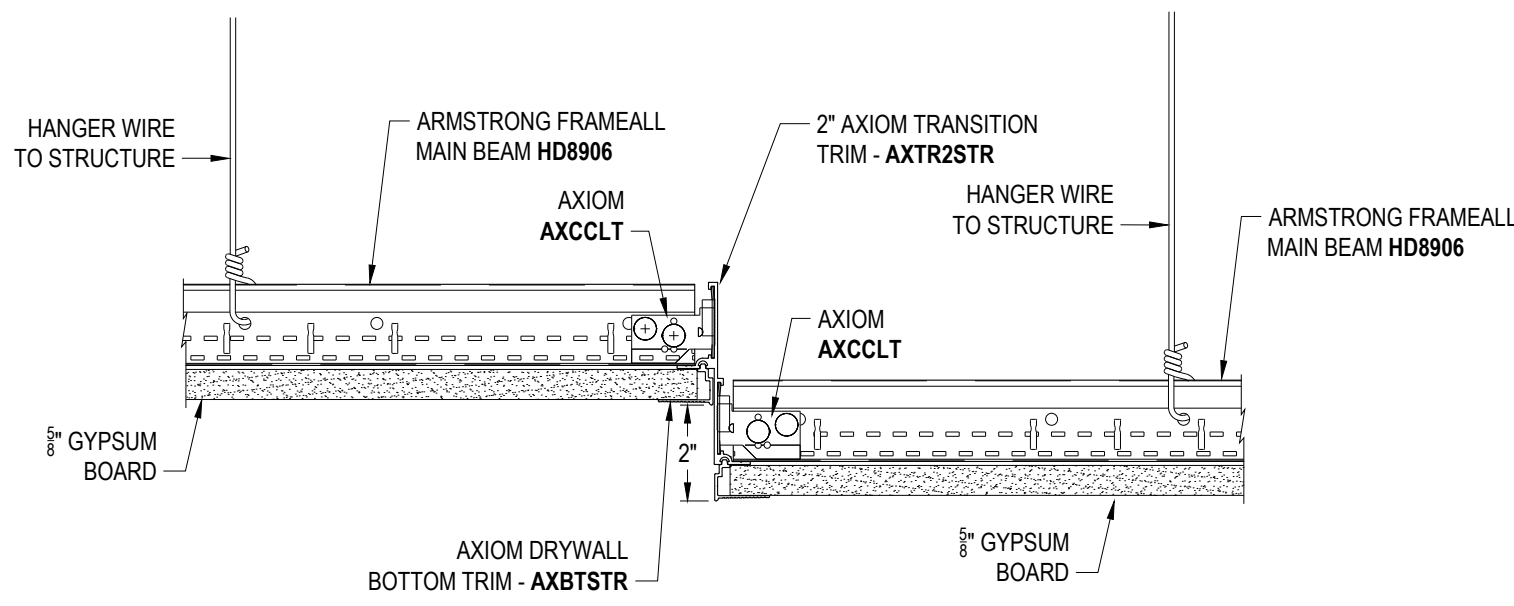
CEILING & WALL SOLUTIONS * ARMSTRONG WORLD INDUSTRIES, INC. * Lancaster, PA * Phone: 877-ARMSTRONG



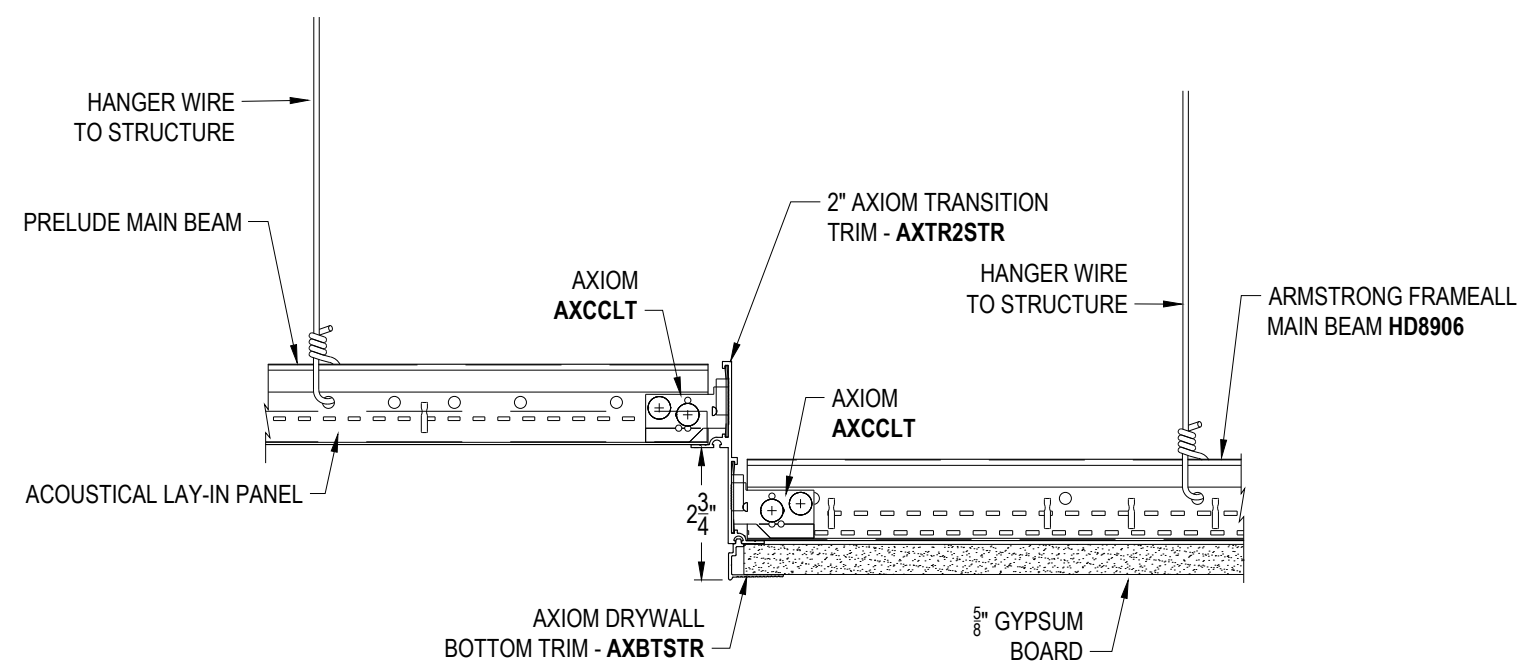
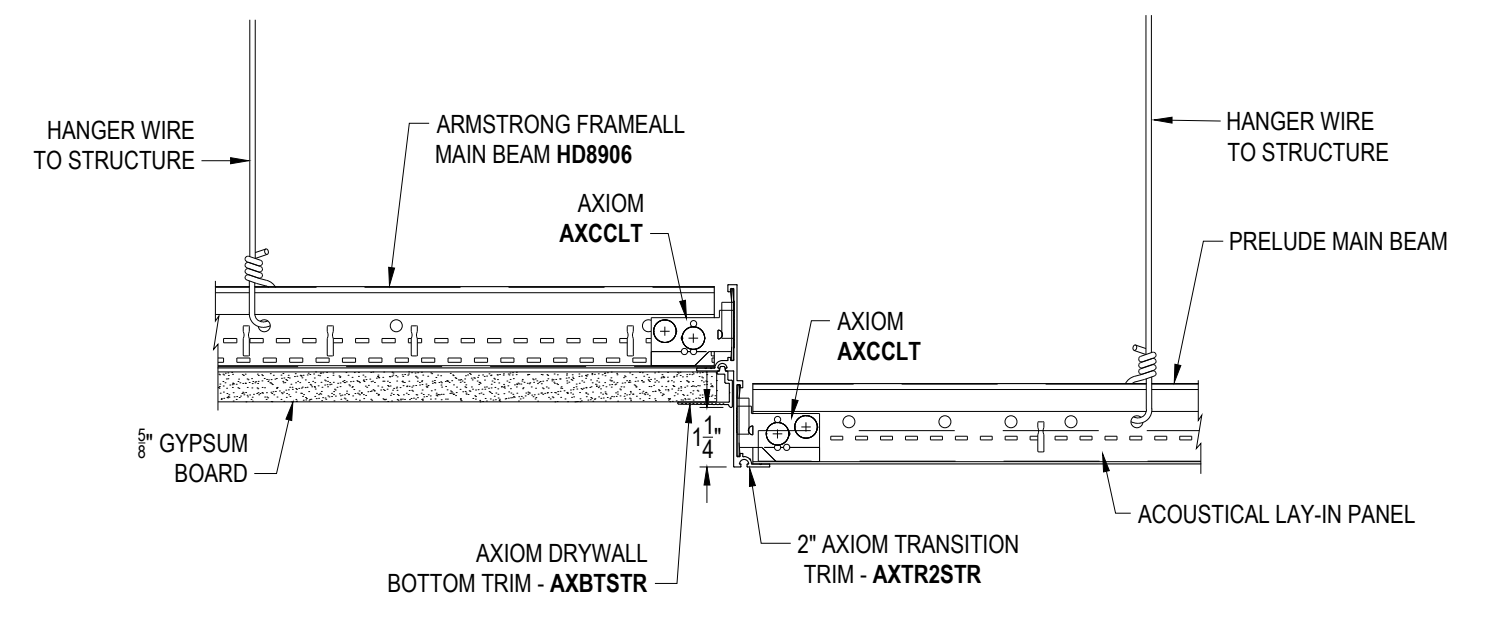


DD-01 AXIOM TRANSITION TRIMS

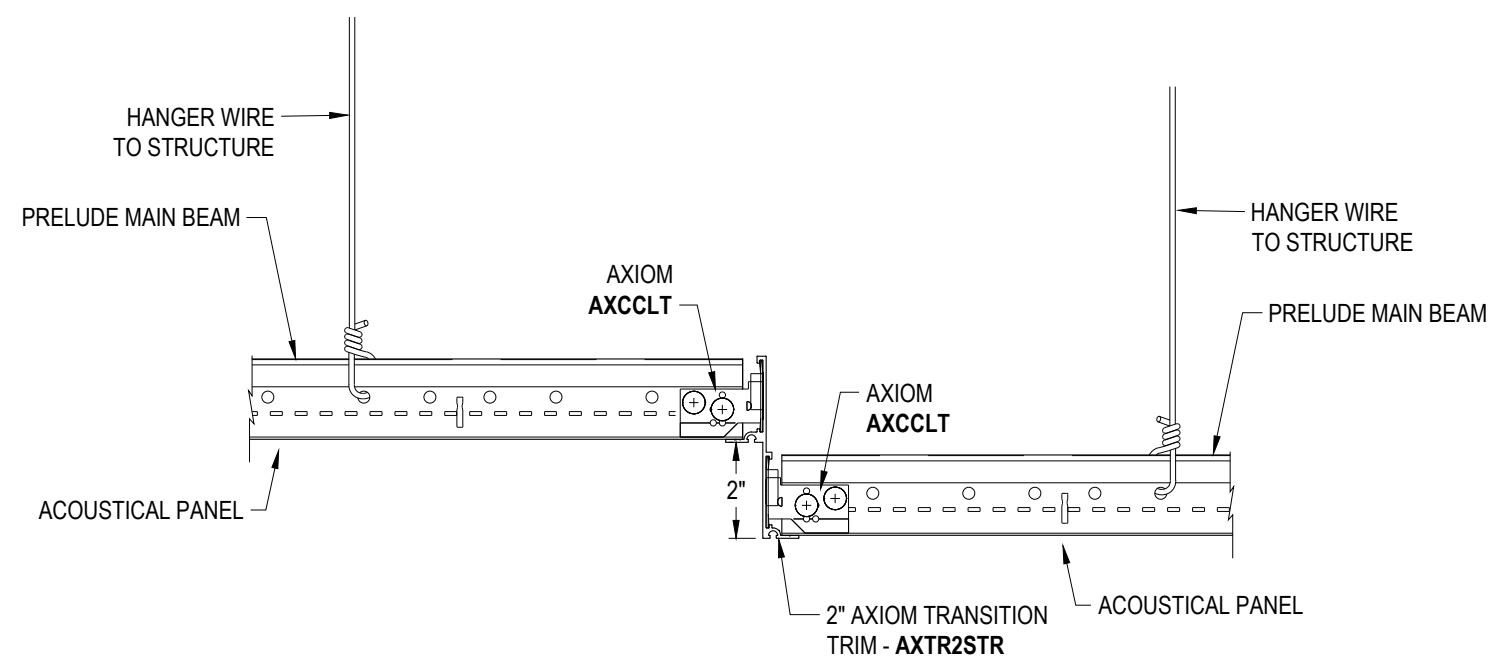
DD-02 2" AXIOM TRANSITION DRYWALL TO DRYWALL AXTR2STR/CUR



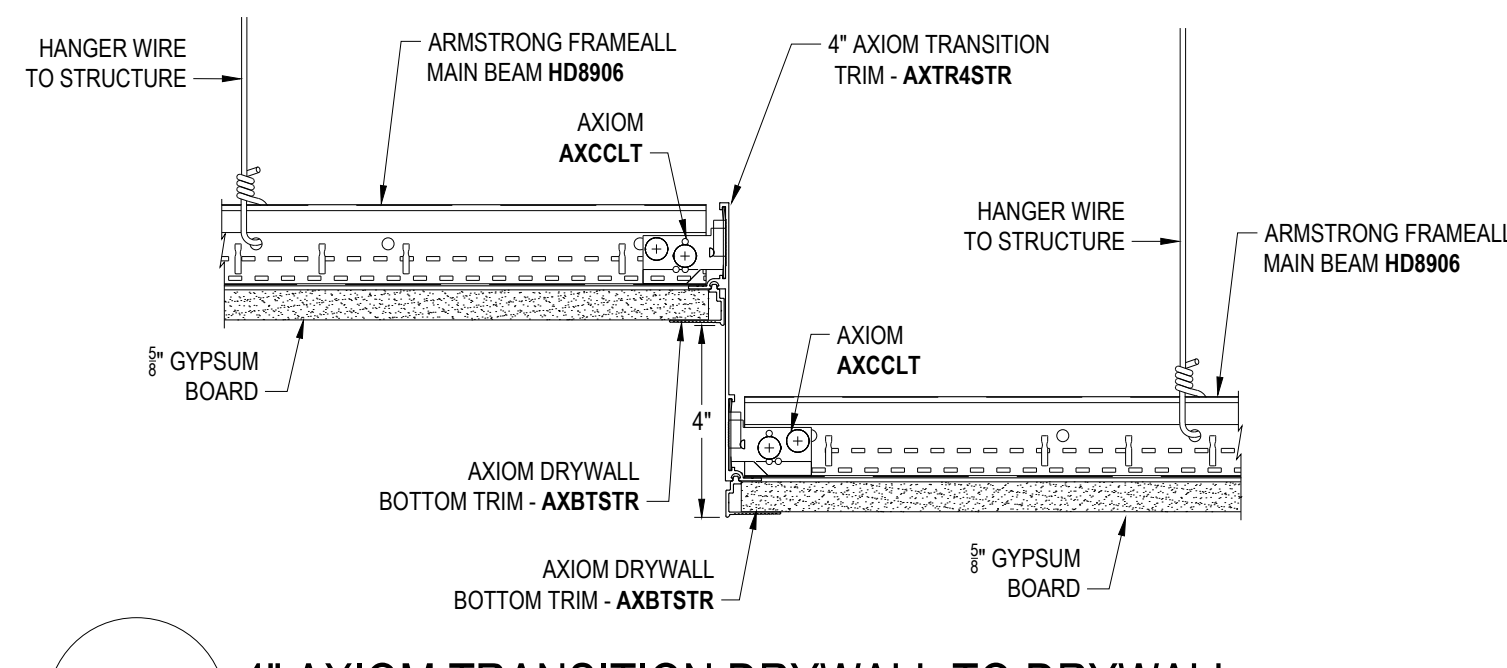
DD-03 1-1/4" AXIOM TRANSITION DRYWALL TO ACT AXTR2STR/CUR



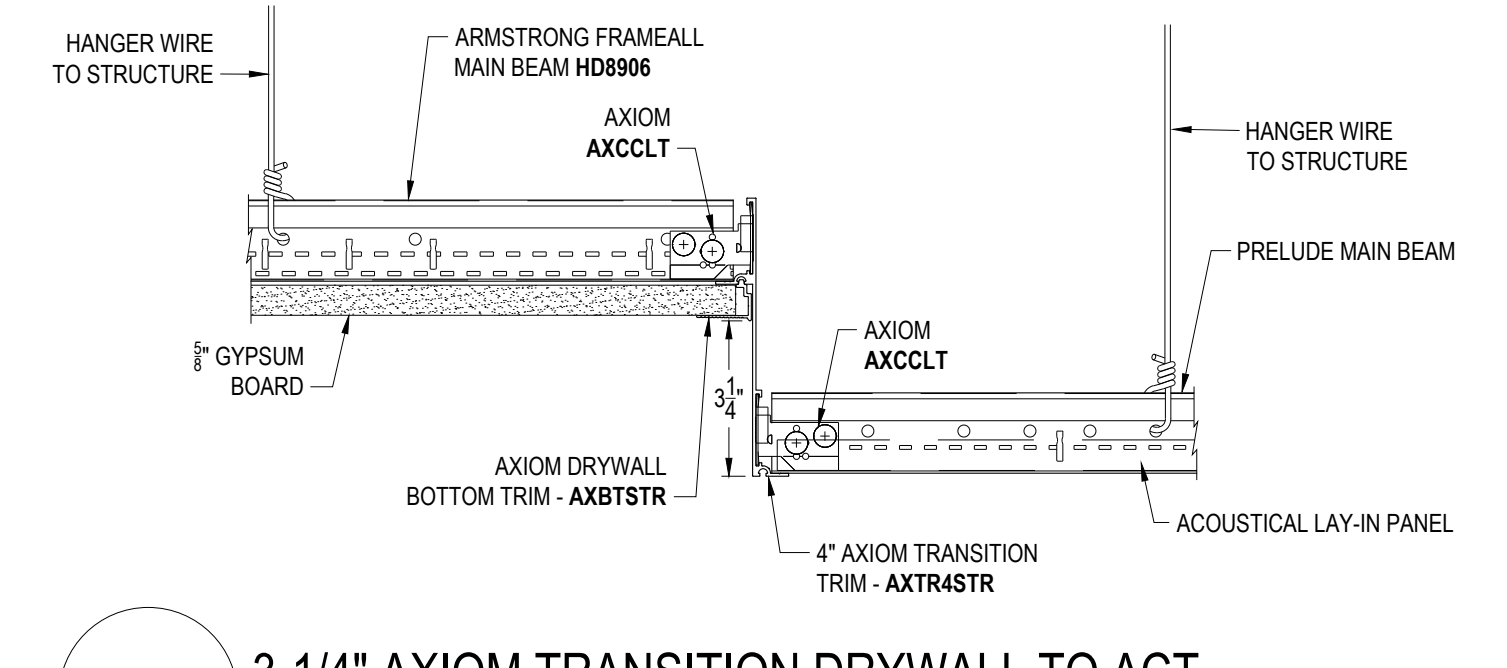
DD-04 2-3/4" AXIOM TRANSITION ACT TO DRYWALL AXTR2STR/CUR



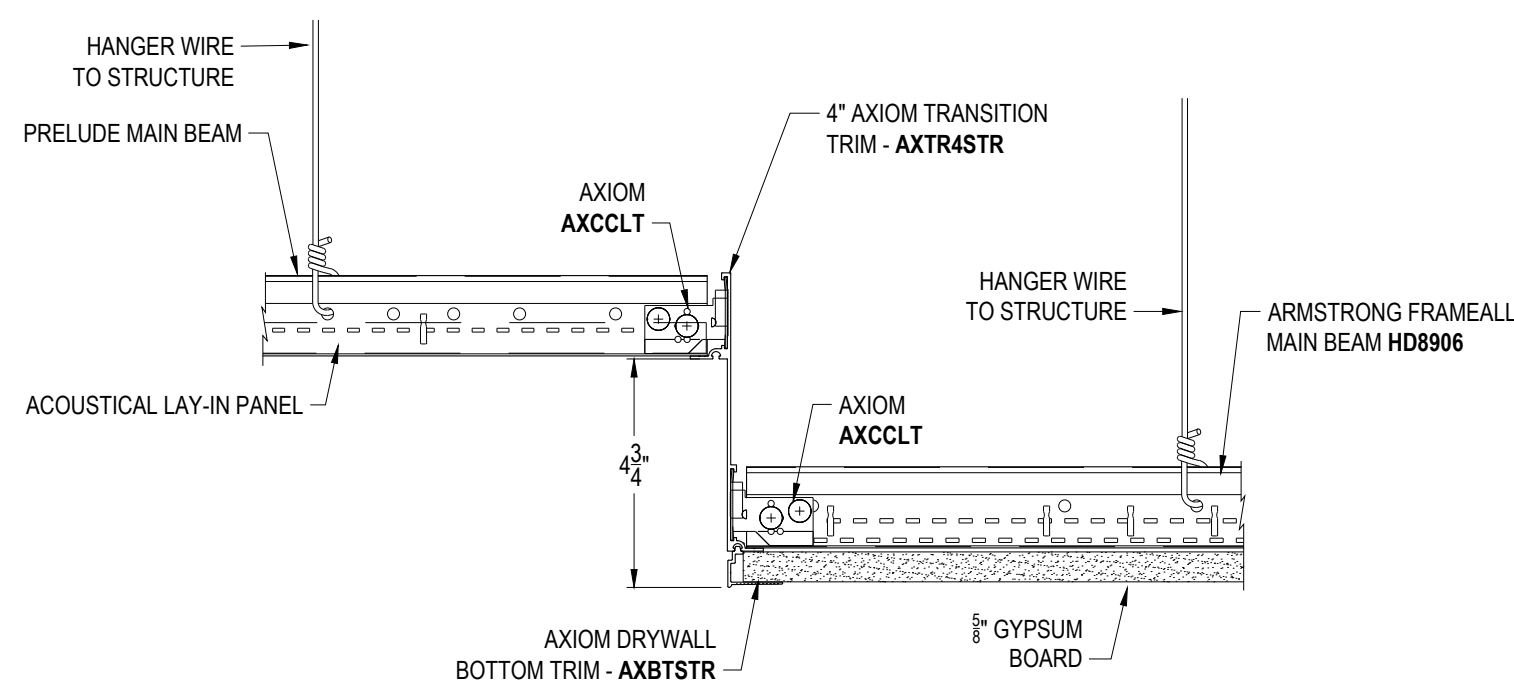
DD-05 2" AXIOM TRANSITION ACT TO ACT AXTR2STR/CUR



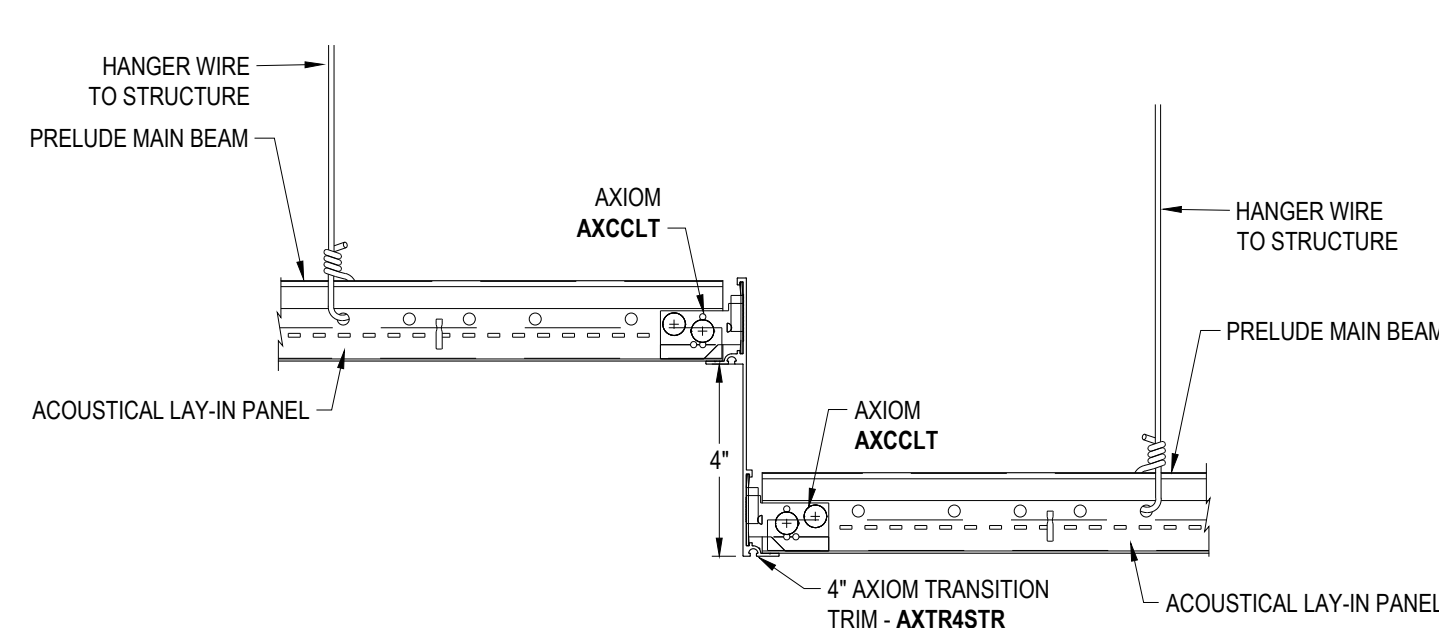
DD-06 4" AXIOM TRANSITION DRYWALL TO DRYWALL AXTR4STR/CUR



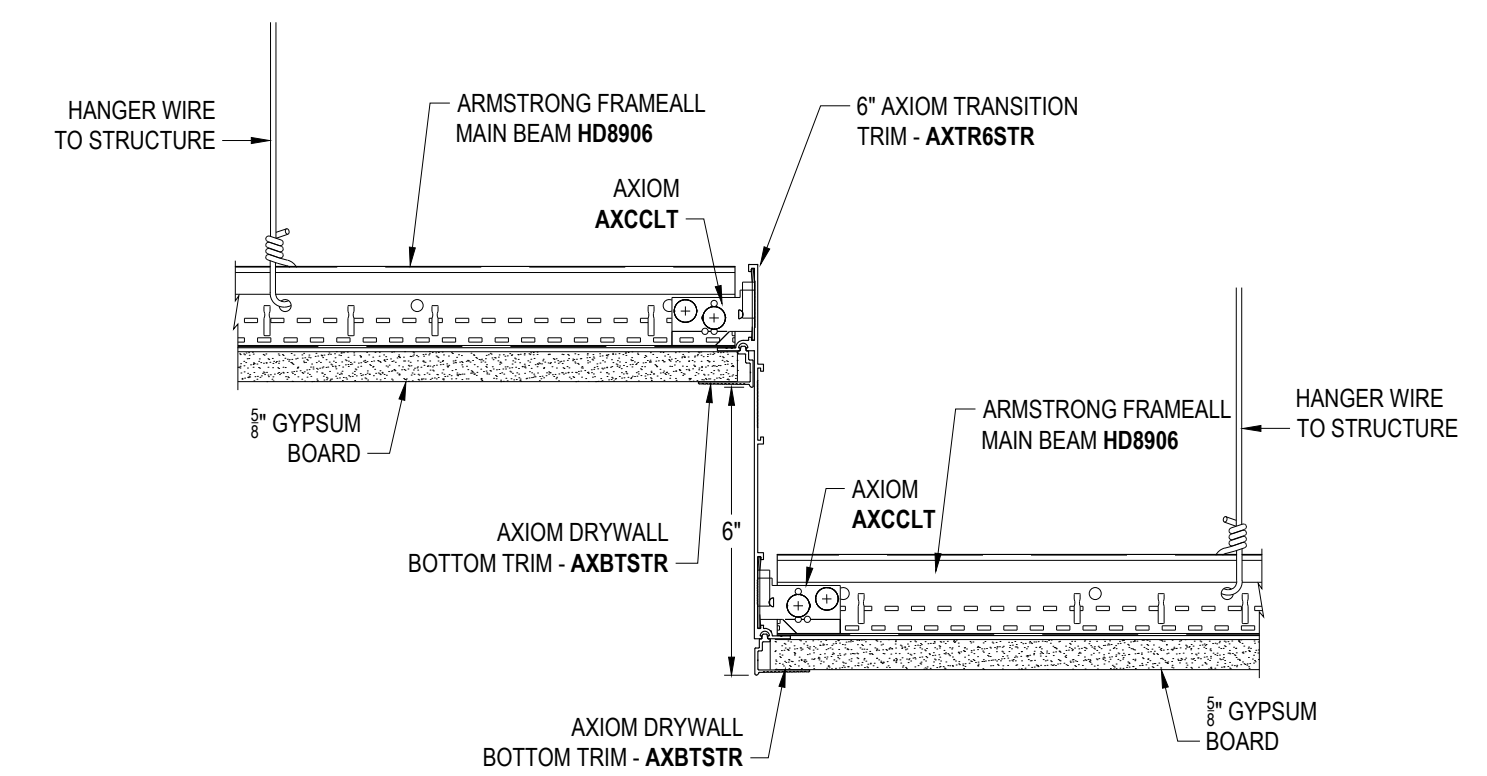
DD-07 3-1/4" AXIOM TRANSITION DRYWALL TO ACT AXTR4STR/CUR



DD-08 4-3/4" AXIOM TRANSITION - ACT TO DRYWALL AXTR4STR/CUR

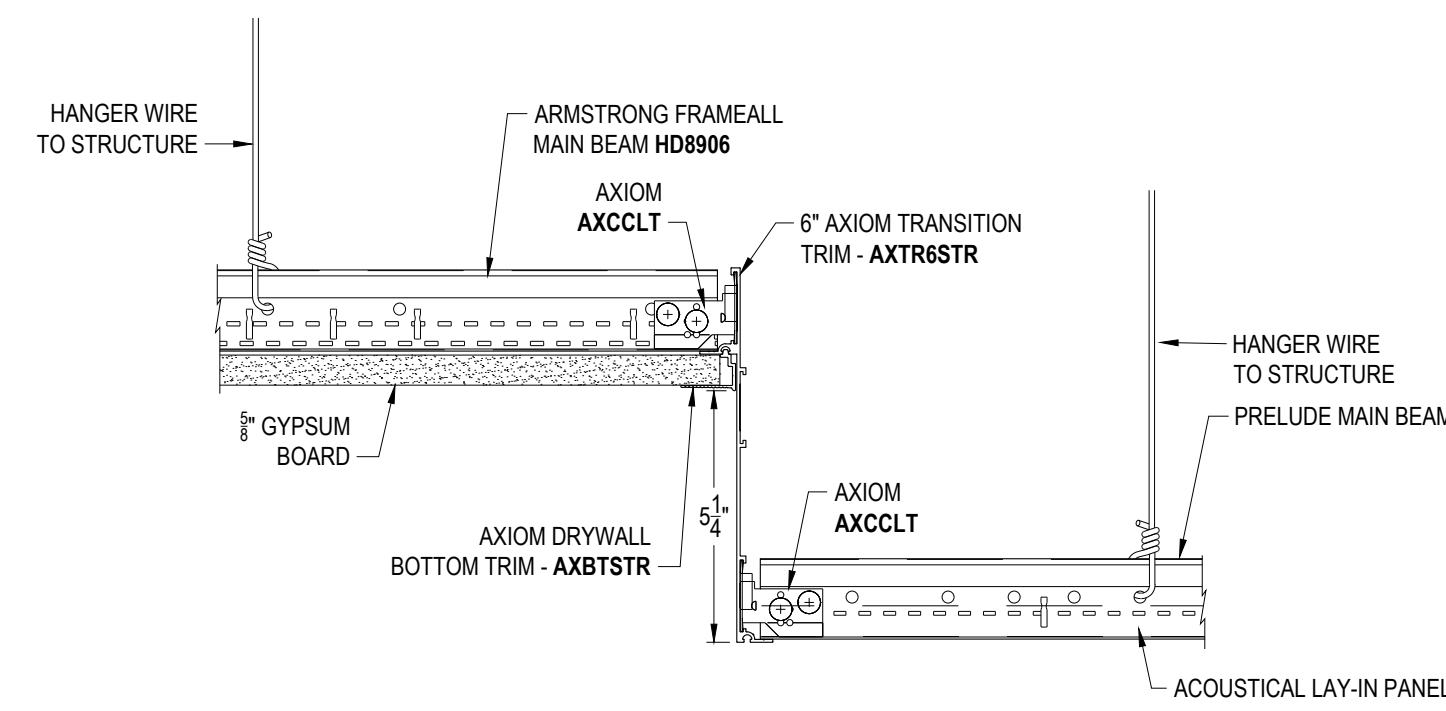


DD-09 4" AXIOM TRANSITION ACT TO ACT AXTR4STR/CUR

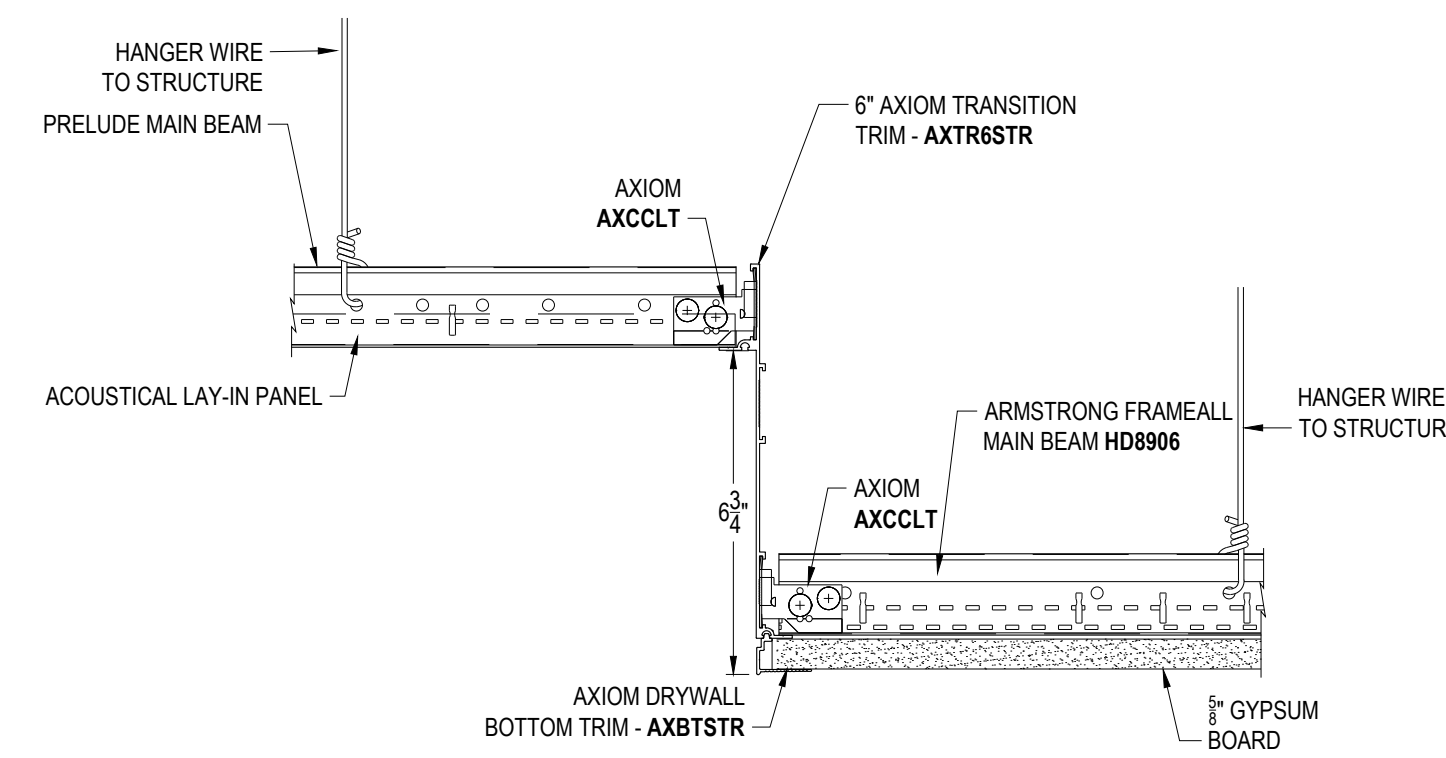


DD-10 6" AXIOM TRANSITION DRYWALL TO DRYWALL AXTR6STR/CUR

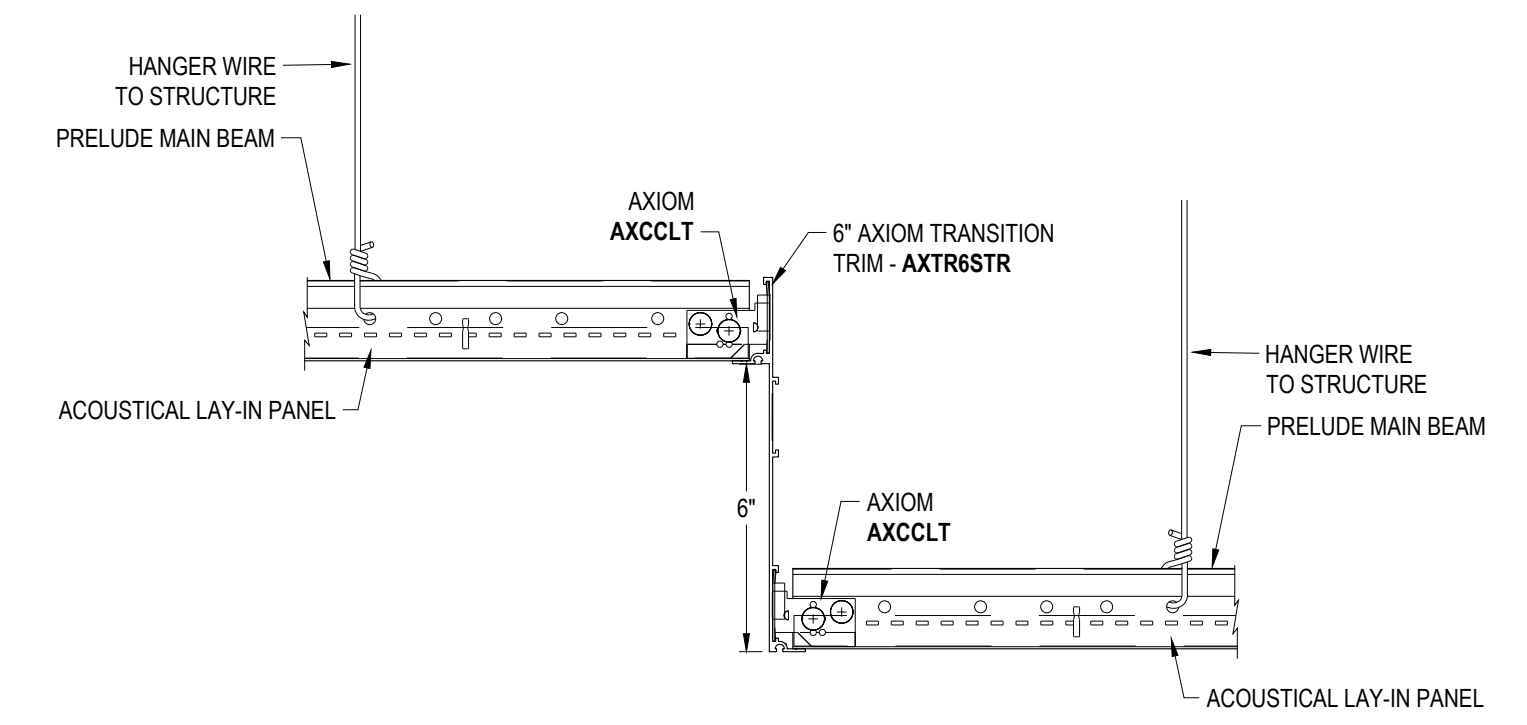
| | | | |
|---|----------------|--|---------------|
| <small>These drawings show typical conditions in which the Armstrong product depicted is installed. They are not a substitute for an architect's or engineer's plan and do not reflect the unique requirements of local building codes, laws, ordinances, rules and regulations (Legal Requirements) that may be applicable for a particular installation.</small> <small>Armstrong does not warrant, and assumes no liability for the accuracy or completeness of the drawings for a particular installation or their fitness for a particular purpose. The user is advised to consult with a duly licensed architect or engineer in the particular locale of the installation to assure compliance with all Legal Requirements.</small> <small>Armstrong is not licensed to provide professional architecture or engineering design services.</small> | | PROJECT NAME: AXIOM TRANSITIONS MASTER SHEET | |
| DWG. NO.: A-A003-MS-01 | REV.: . | DATE: 1/10/25 | DESC.: |
| DRAWN BY: DAG | CHK BY: | | |
| TechLine | | <small>ARMSTRONG CEILING SYSTEMS * ARMSTRONG WORLD INDUSTRIES, INC. * Lancaster, PA * Phone: 877-ARMSTRONG</small> | |



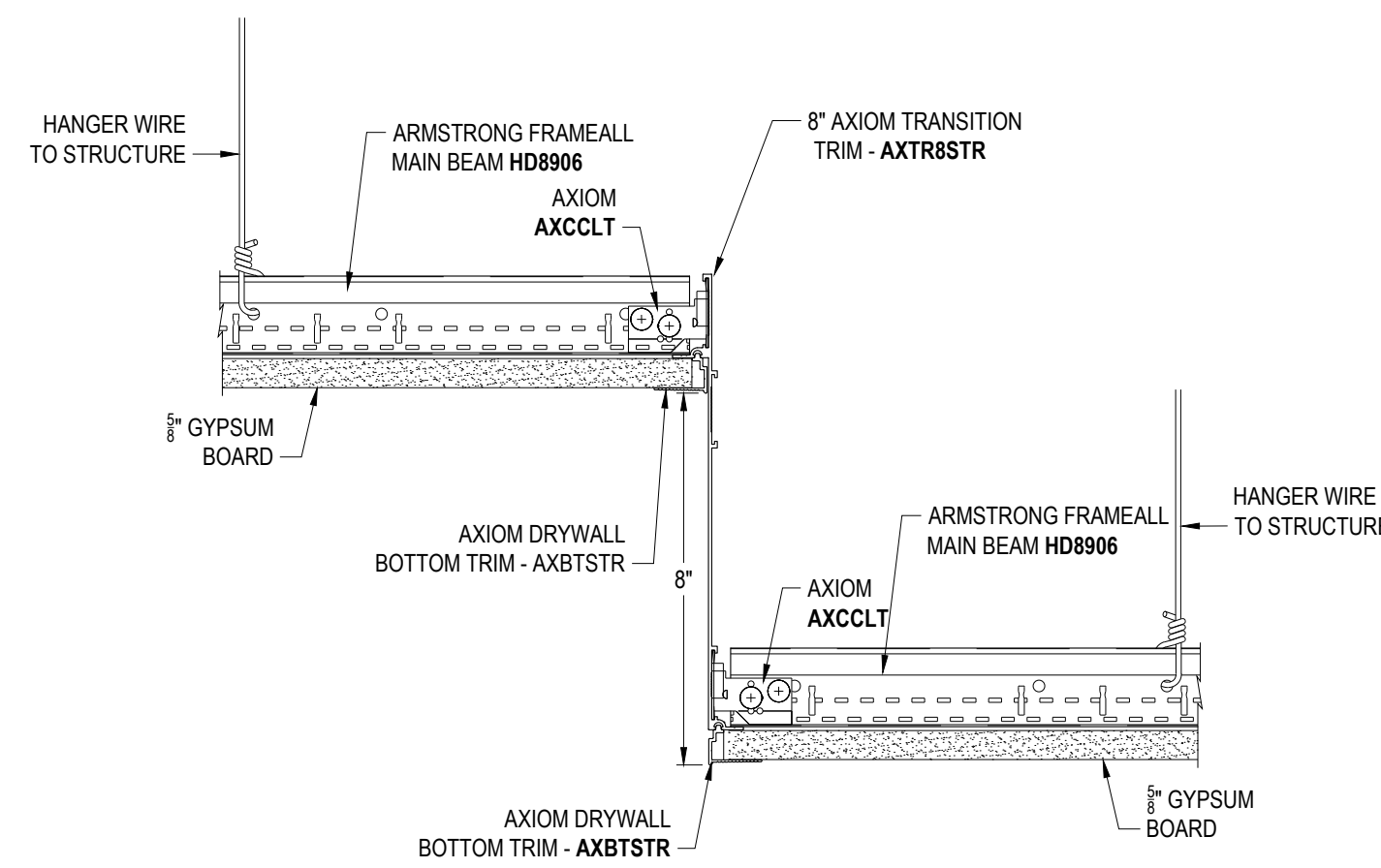
DD-11 5-1/4" AXIOM TRANSITION DRYWALL TO ACT AXTR6STR/CUR



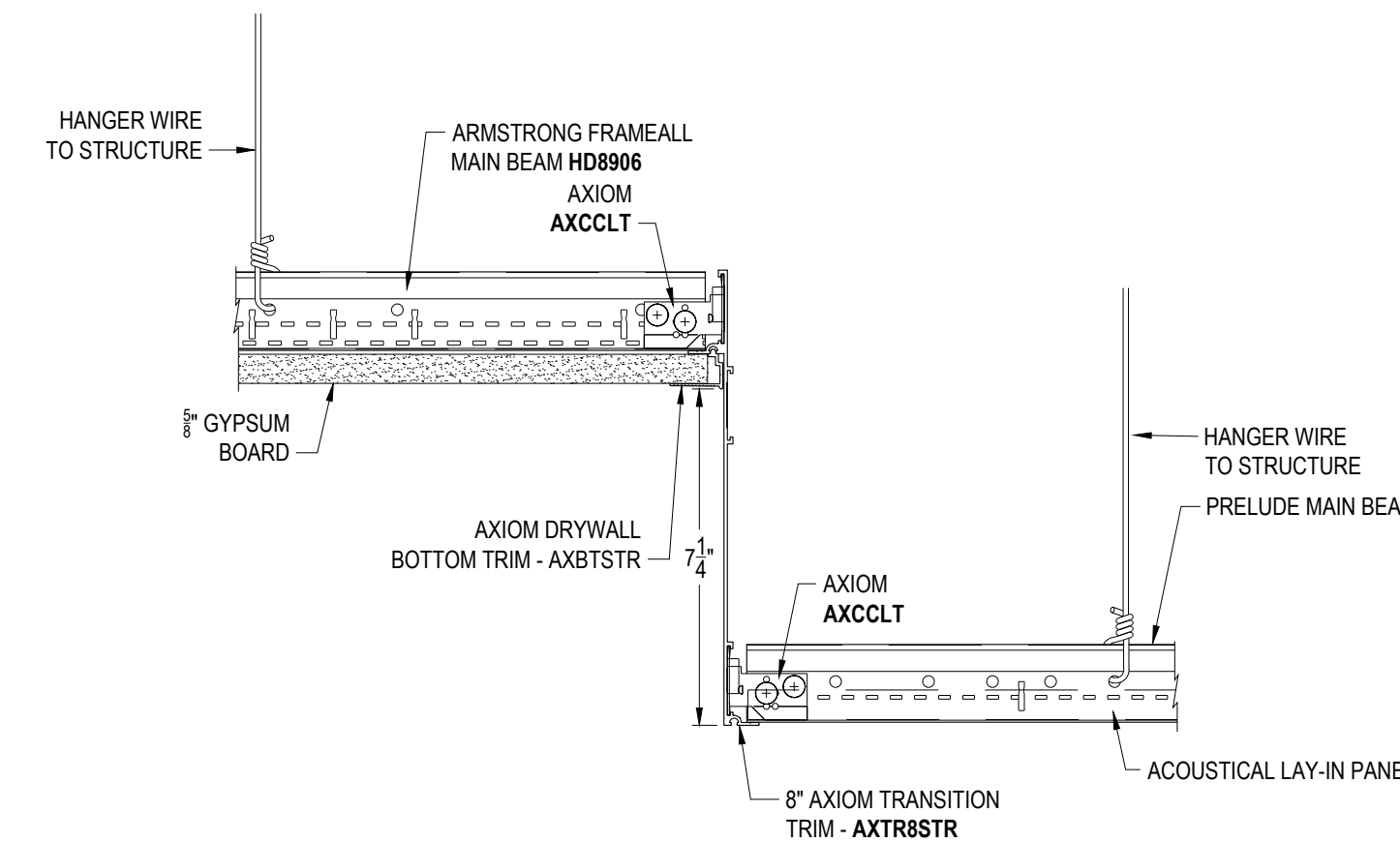
DD-12 6-3/4" AXIOM TRANSITION ACT TO DRYWALL AXTR6STR/CUR



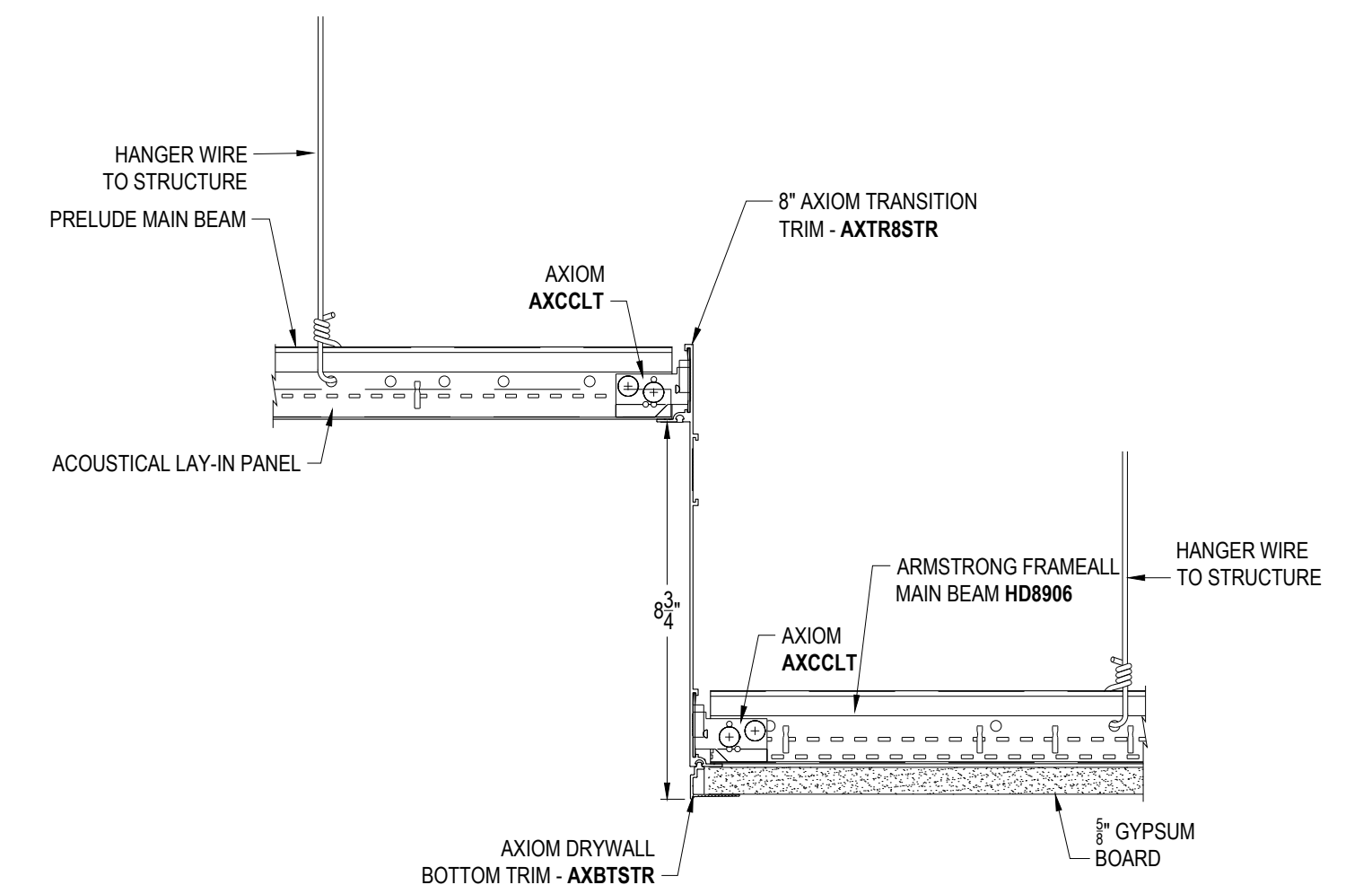
DD-13 6" AXIOM TRANSITION ACT TO ACT AXTR6STR/CUR



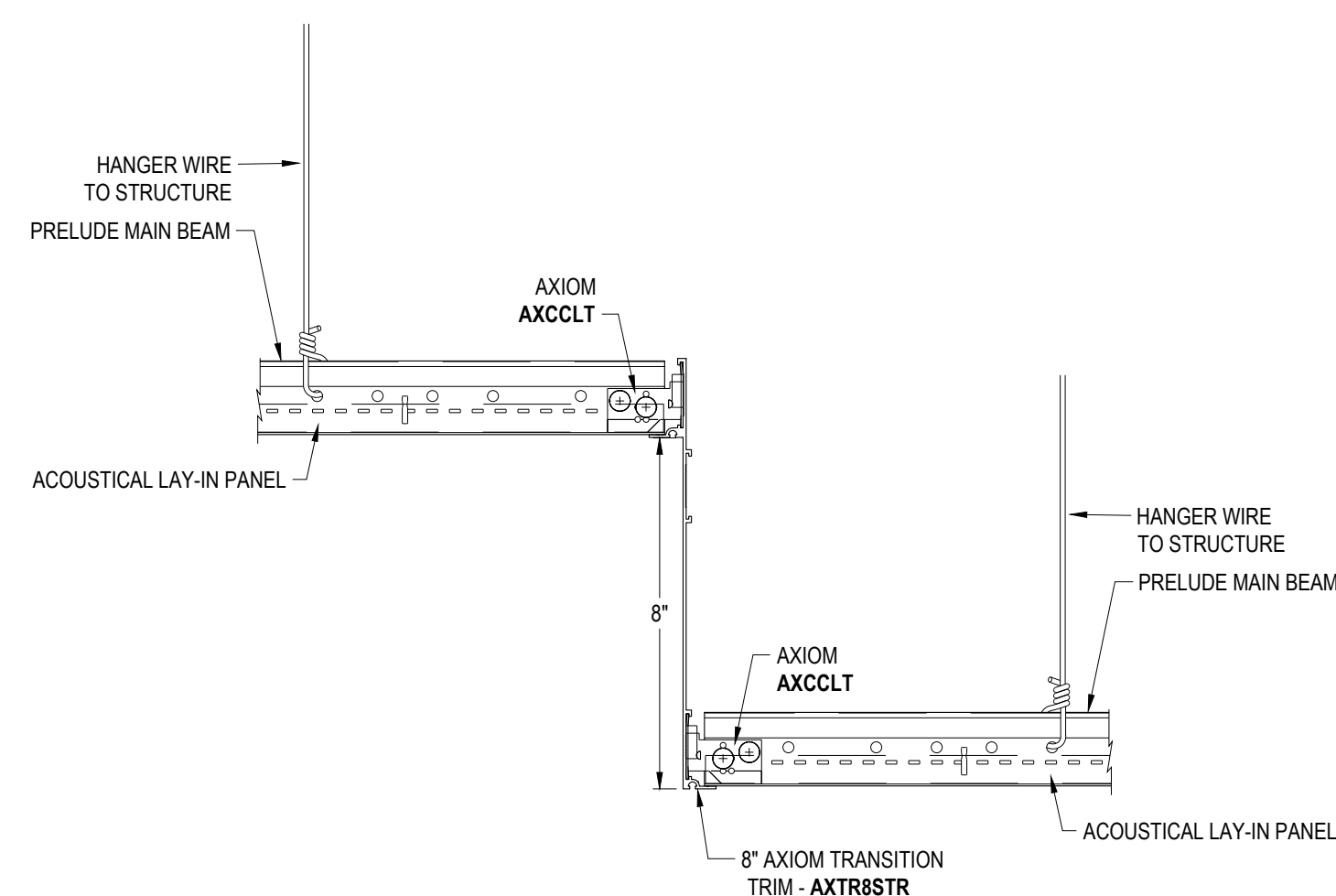
DD-14 8" AXIOM TRANSITION DRYWALL TO DRYWALL AXTR8STR/CUR



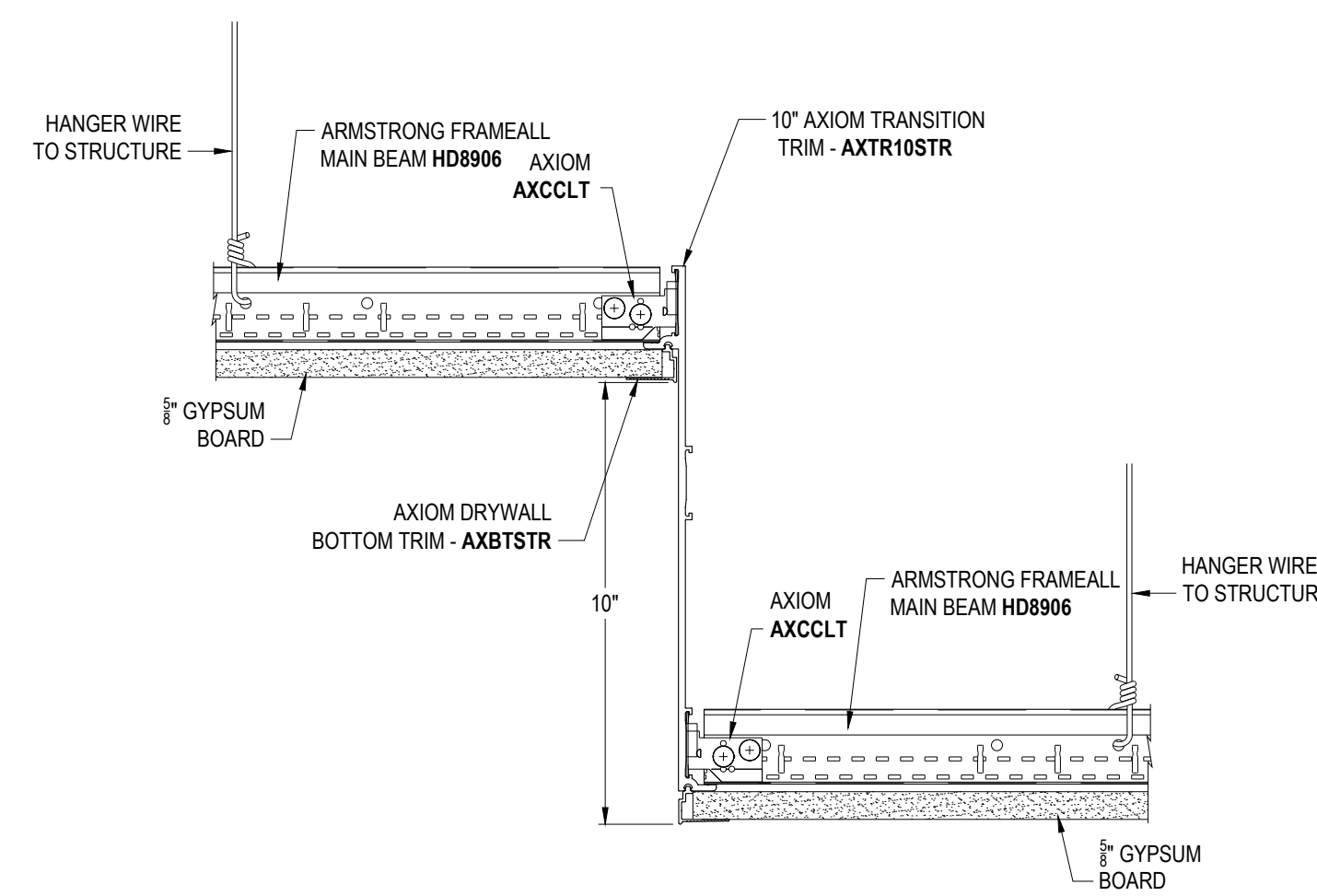
DD-15 7-1/4" AXIOM TRANSITION DRYWALL TO ACT AXTR8STR/CUR



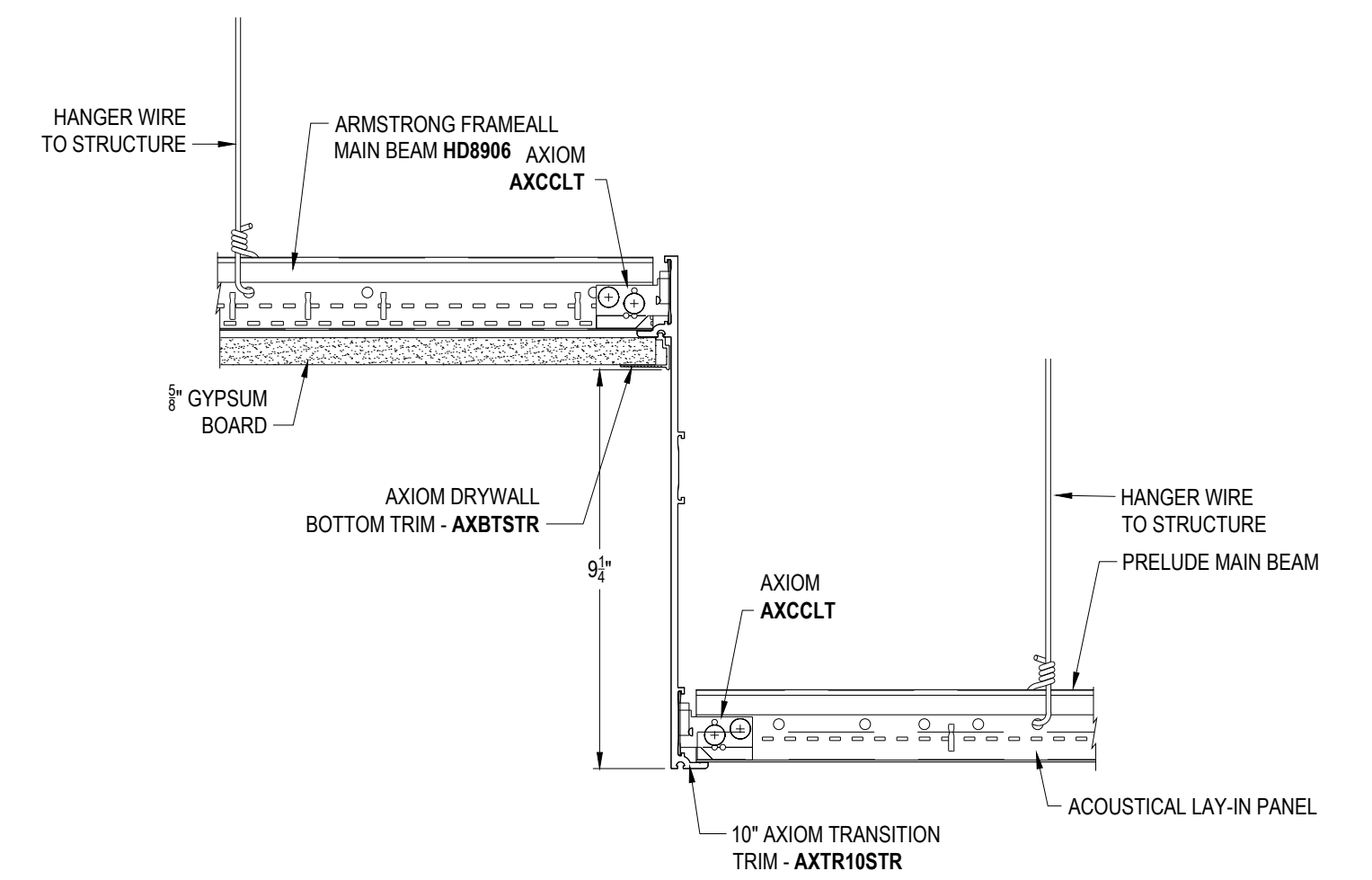
DD-16 8-3/4" AXIOM TRANSITION ACT TO DRYWALL AXTR8STR/CUR



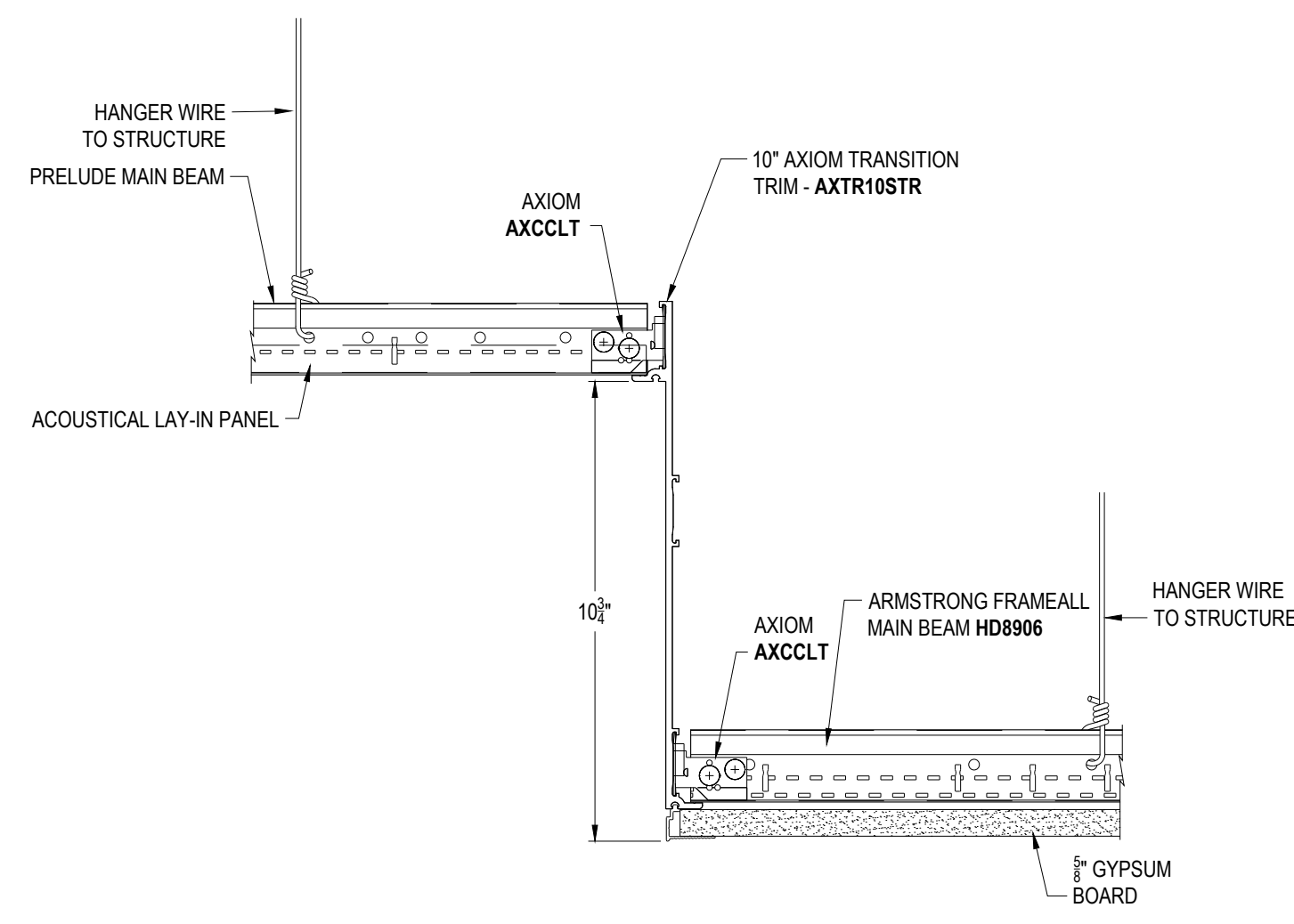
DD-17 8" AXIOM TRANSITION ACT TO ACT AXTR8STR/CUR



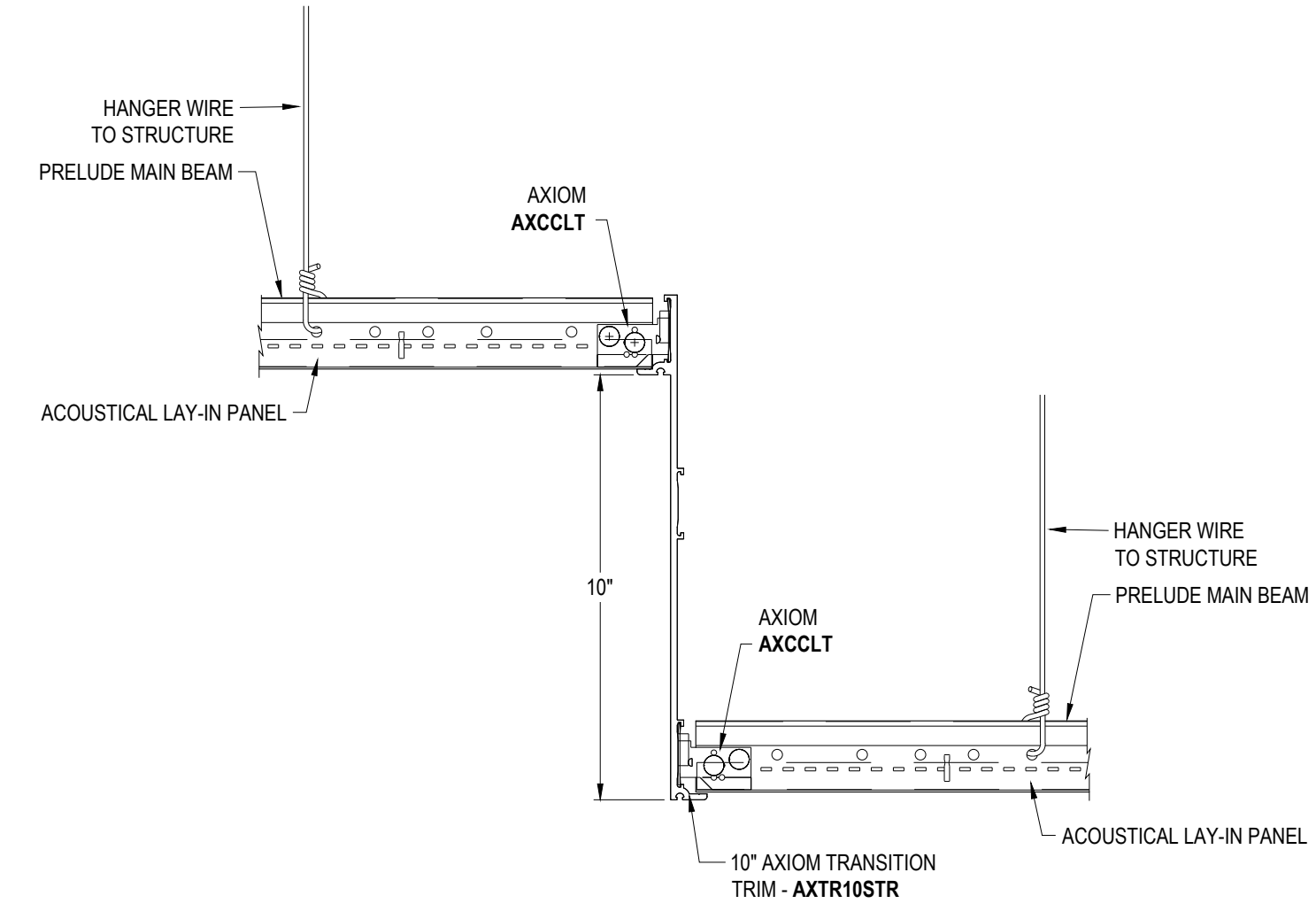
DD-18 10" AXIOM TRANSITION DRYWALL TO DRYWALL AXTR10STR/CUR



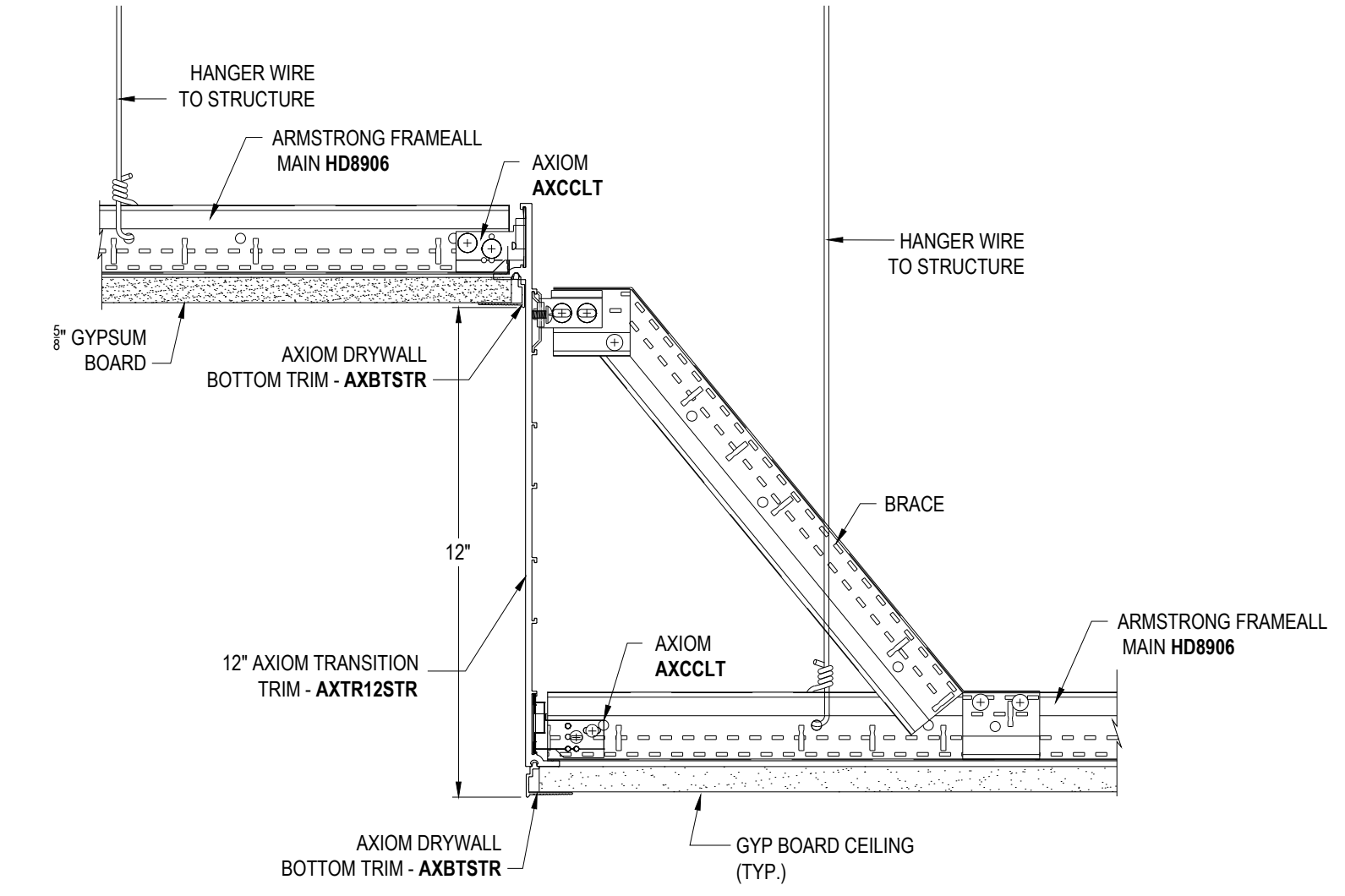
DD-19 9-1/4" AXIOM TRANSITION DRYWALL TO ACT AXTR10STR/CUR



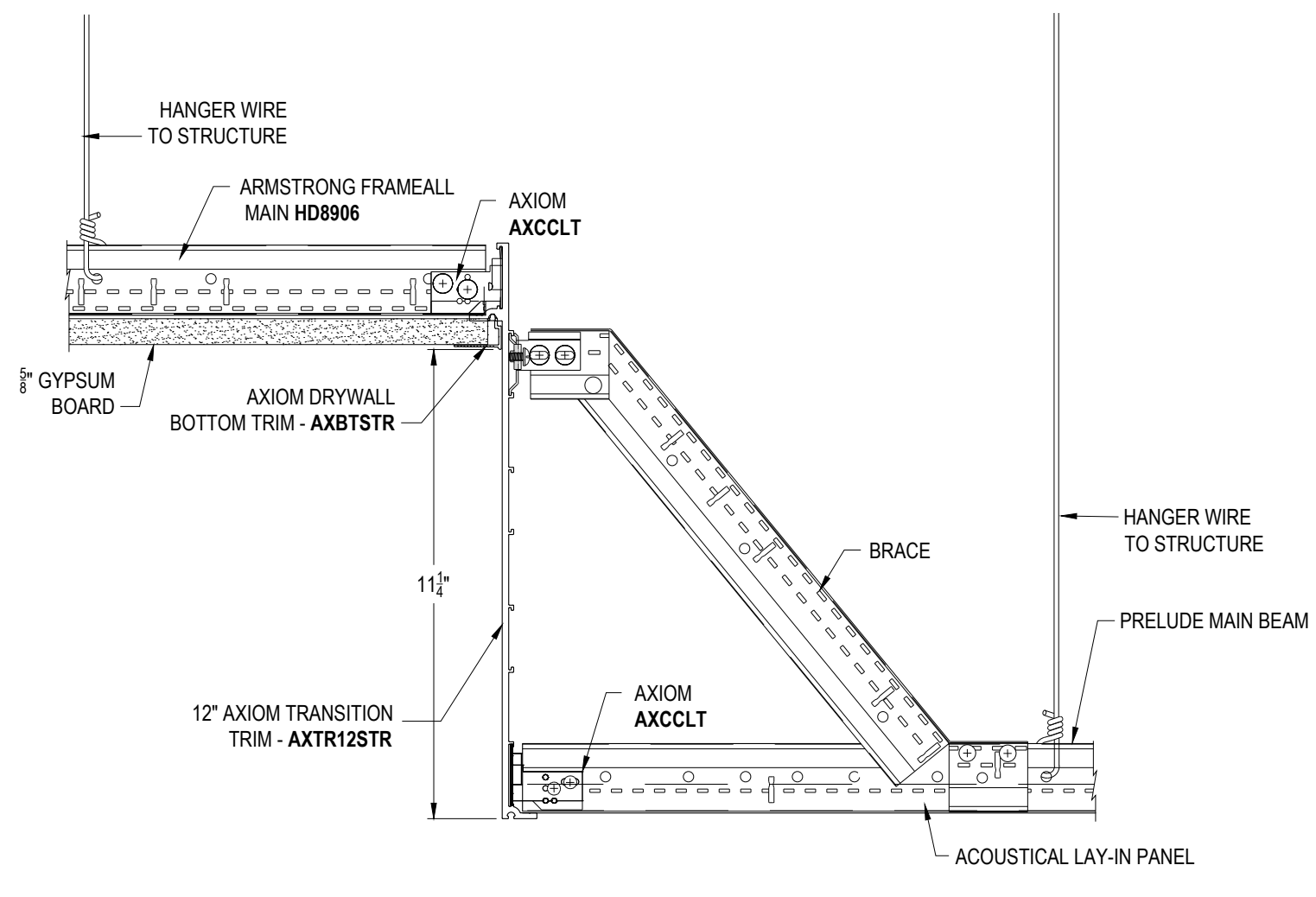
DD-20 10-3/4" AXIOM TRANSITION ACT TO DRYWALL
AXTR10STR/CUR



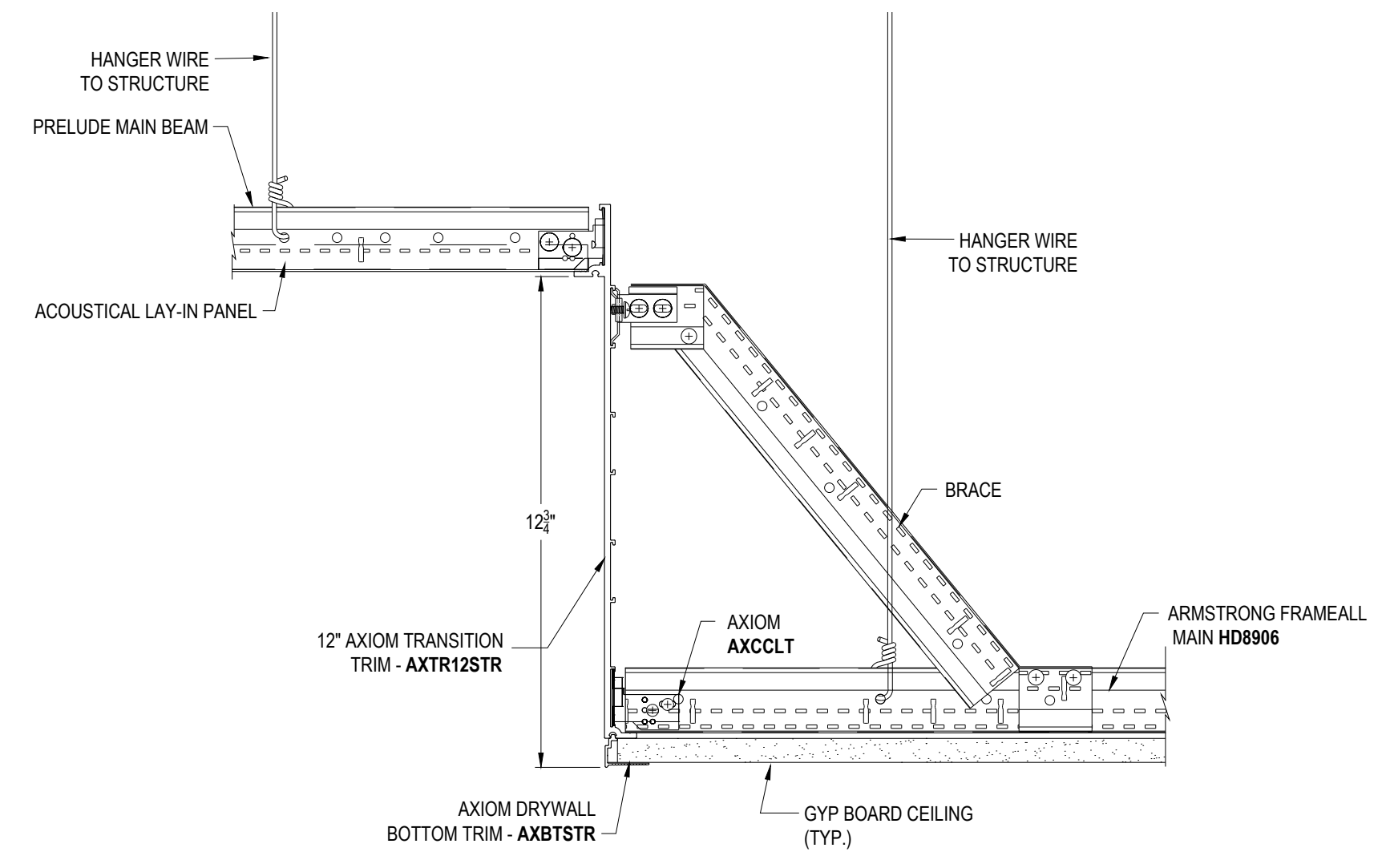
DD-21 10" AXIOM TRANSITION ACT TO ACT
AXTR10STR/CUR



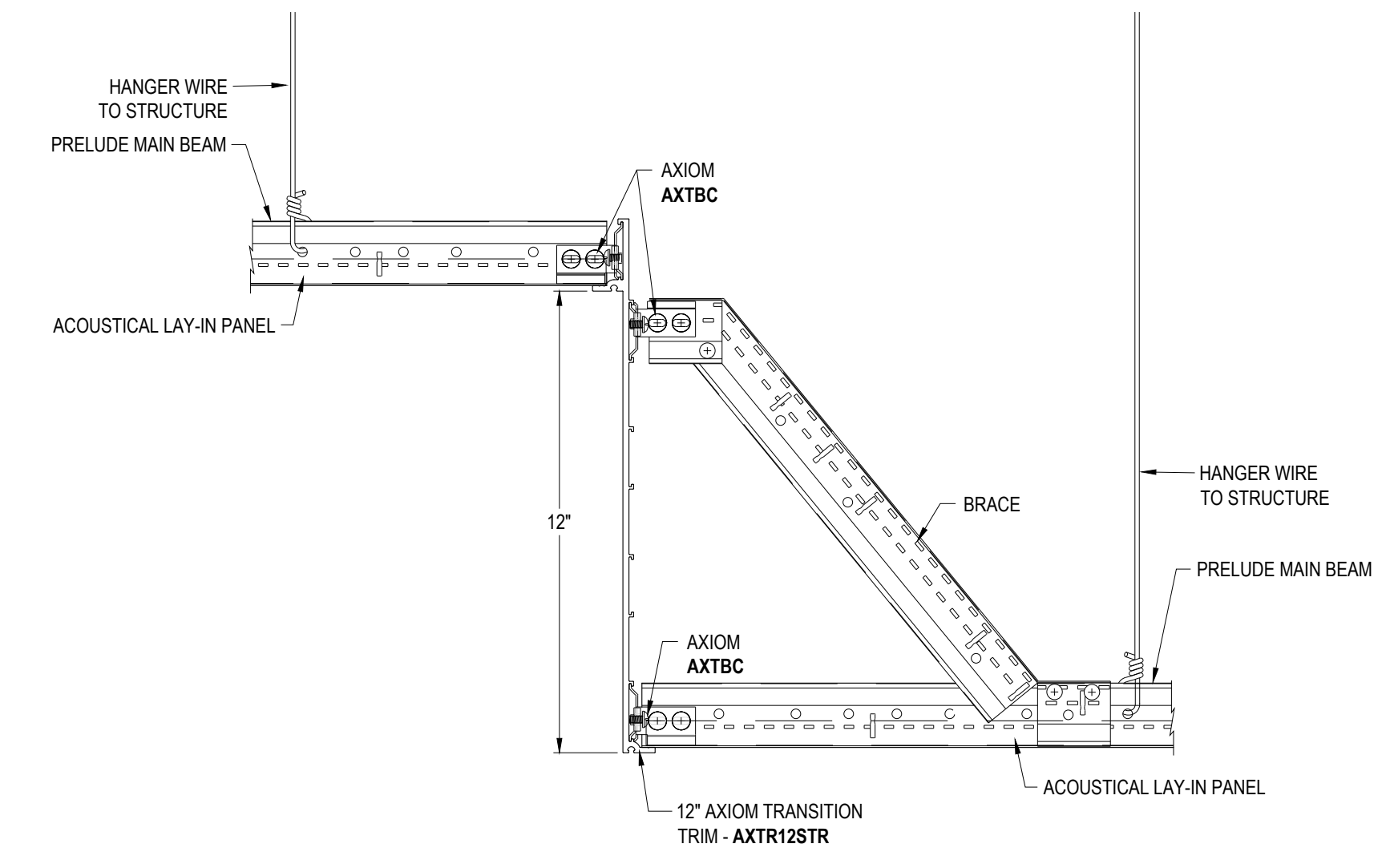
DD-22 12" AXIOM TRANSITION DRYWALL TO DRYWALL
AXTR12STR/CUR



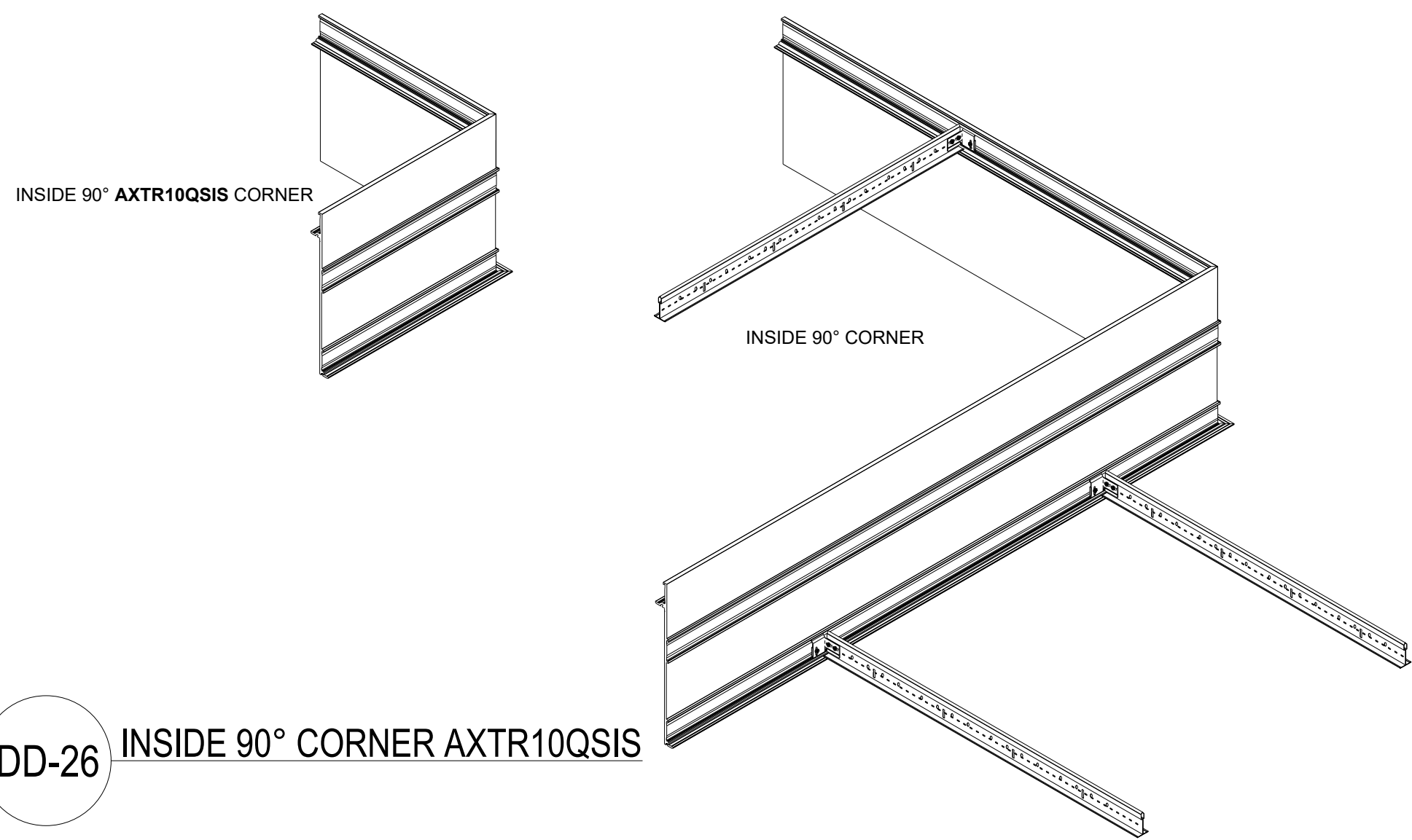
DD-23 11-1/4" AXIOM TRANSITION DRYWALL TO ACT
AXTR12STR/CUR



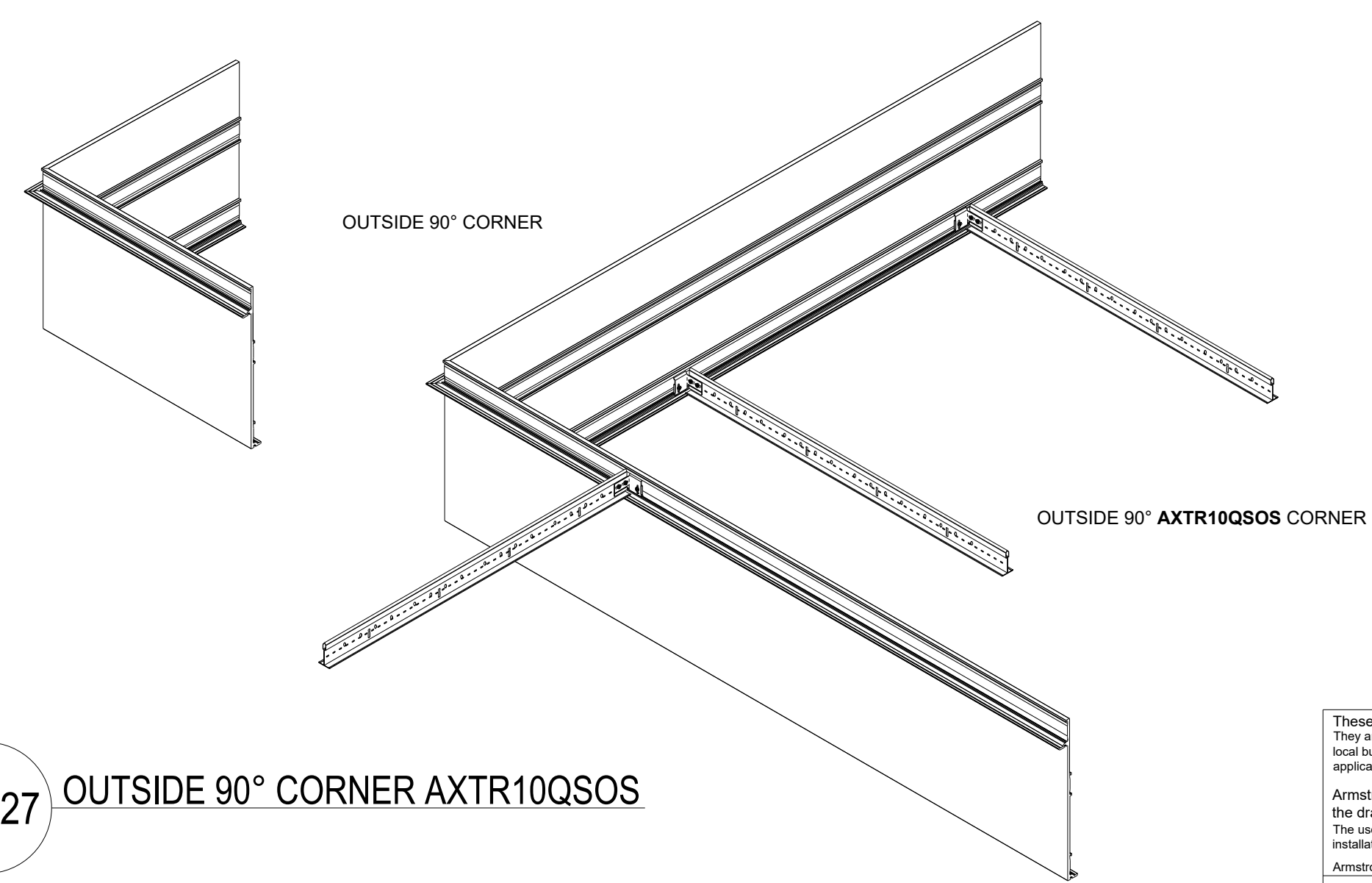
DD-24 12-3/4" AXIOM TRANSITION ACT TO DRYWALL
AXTR12STR/CUR



DD-25 12" AXIOM TRANSITION ACT TO ACT
AXTR12STR/CUR



DD-26 INSIDE 90° CORNER AXTR10QSIS



DD-27 OUTSIDE 90° CORNER AXTR10QSOS

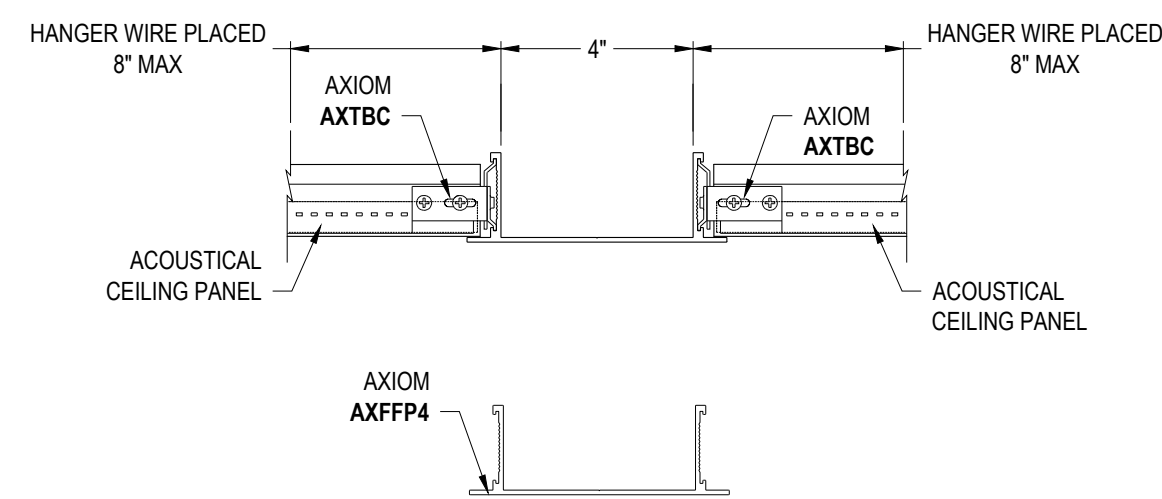
These drawings show typical conditions in which the Armstrong product depicted is installed. They are not a substitute for an architect's or engineer's plan and do not reflect the unique requirements of local building codes, laws, ordinances, rules and regulations (Legal Requirements) that may be applicable for a particular installation.

Armstrong does not warrant, and assumes no liability for the accuracy or completeness of the drawings for a particular installation or their fitness for a particular purpose. The user is advised to consult with a duly licensed architect or engineer in the particular locale of the installation to assure compliance with all Legal Requirements.

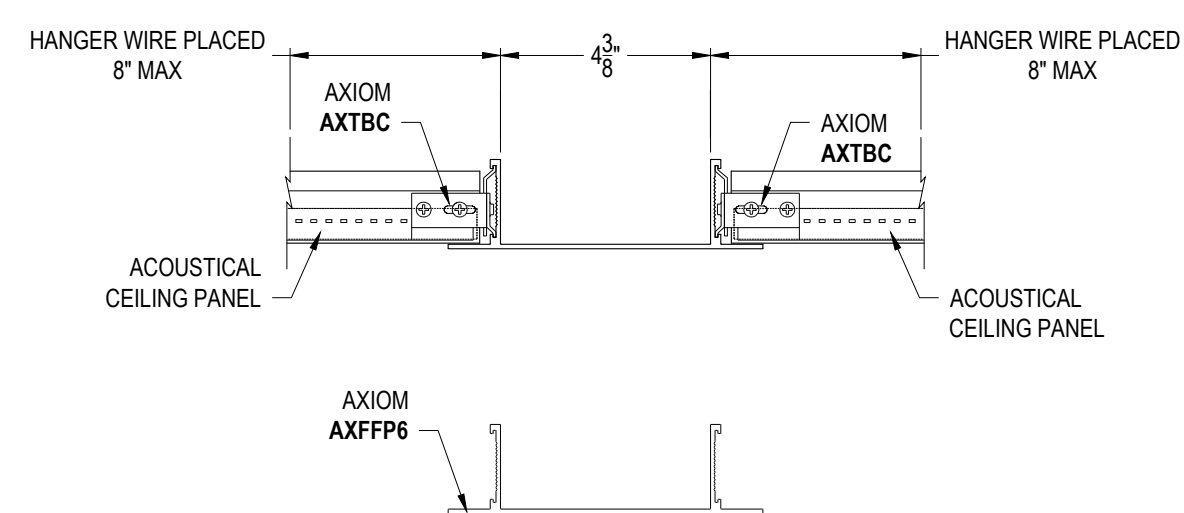
Armstrong is not licensed to provide professional architecture or engineering design services.

| | | | |
|--|---------------|---------|---------|
| PROJECT NAME: AXIOM TRANSITIONS MASTER SHEET | | REV: . | DATE: . |
| DWG. NO: A-A003-MS-03 | SCALE: | DESC: . | |
| DATE: 1/10/25 | DRAWN BY: DAG | CHK BY: | |

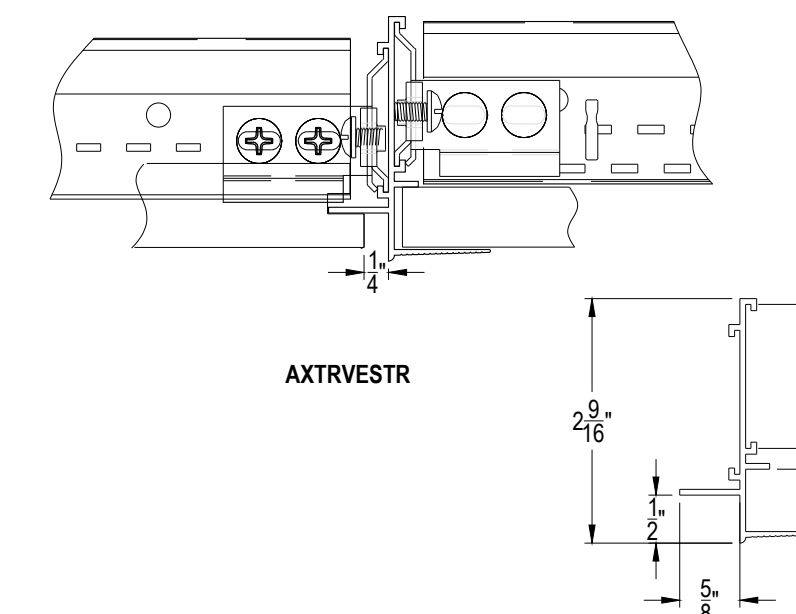
Techn ARMSTRONG CEILING SYSTEMS * ARMSTRONG WORLD INDUSTRIES, INC. * Lancaster, PA * Phone: 877-ARMSTRONG **Amstrong**



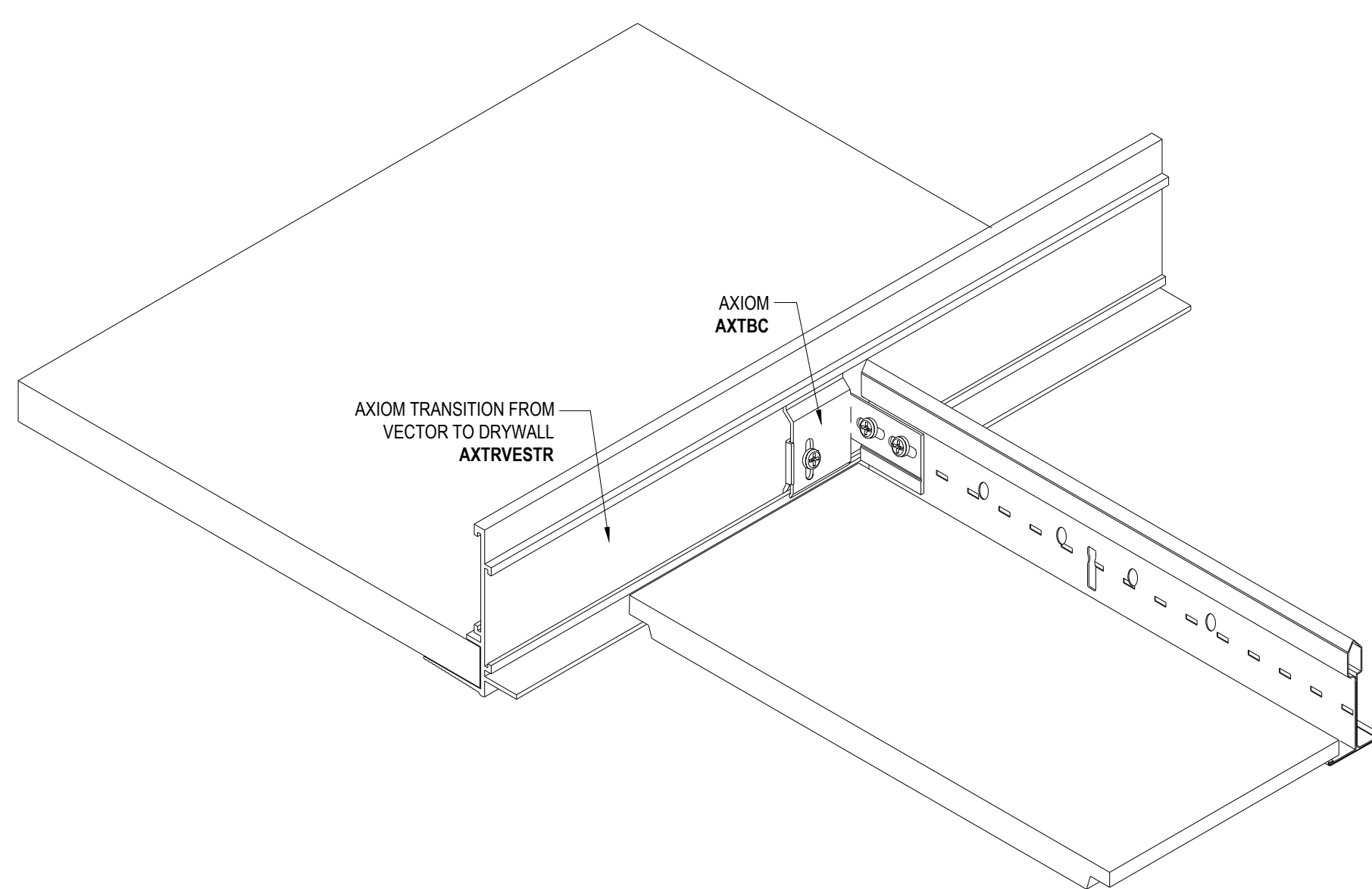
DD-28 AXIOM 4" FIELD FACE PLATE
AXFFP4



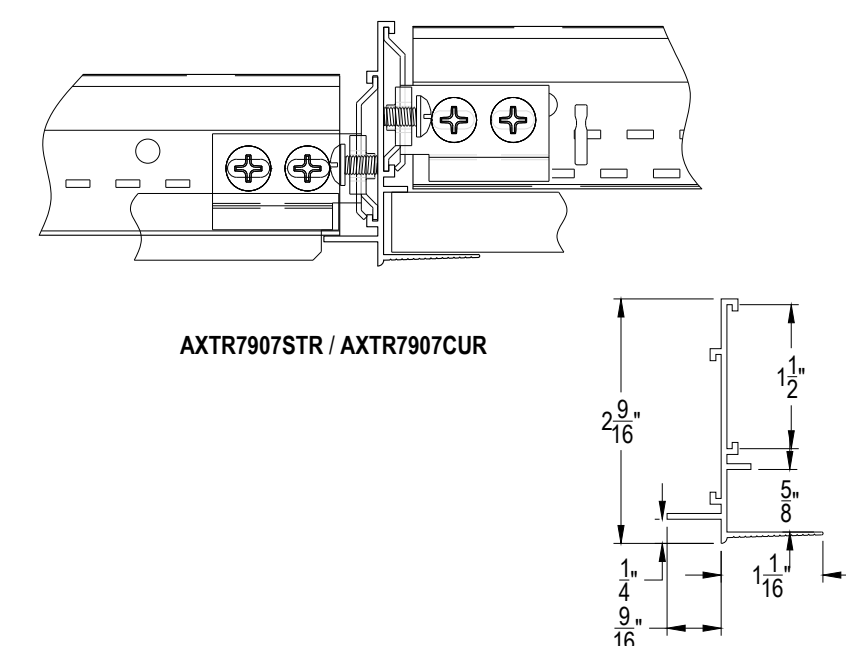
DD-29 AXIOM 6" FIELD FACE PLATE
AXFFP6



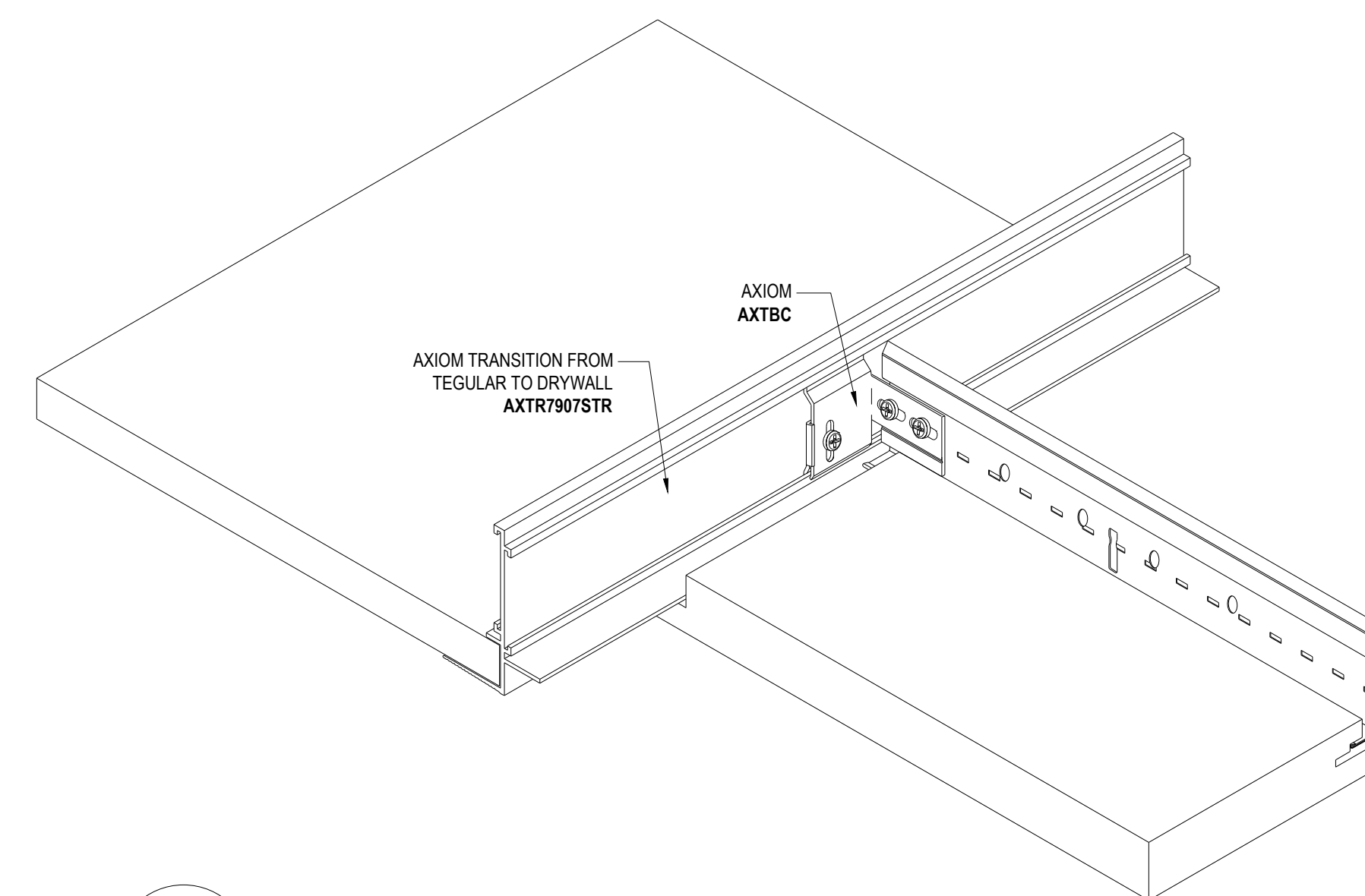
DD-30 AXIOM TRANSITION VECTOR TO DRYWALL
AXTRVSTR



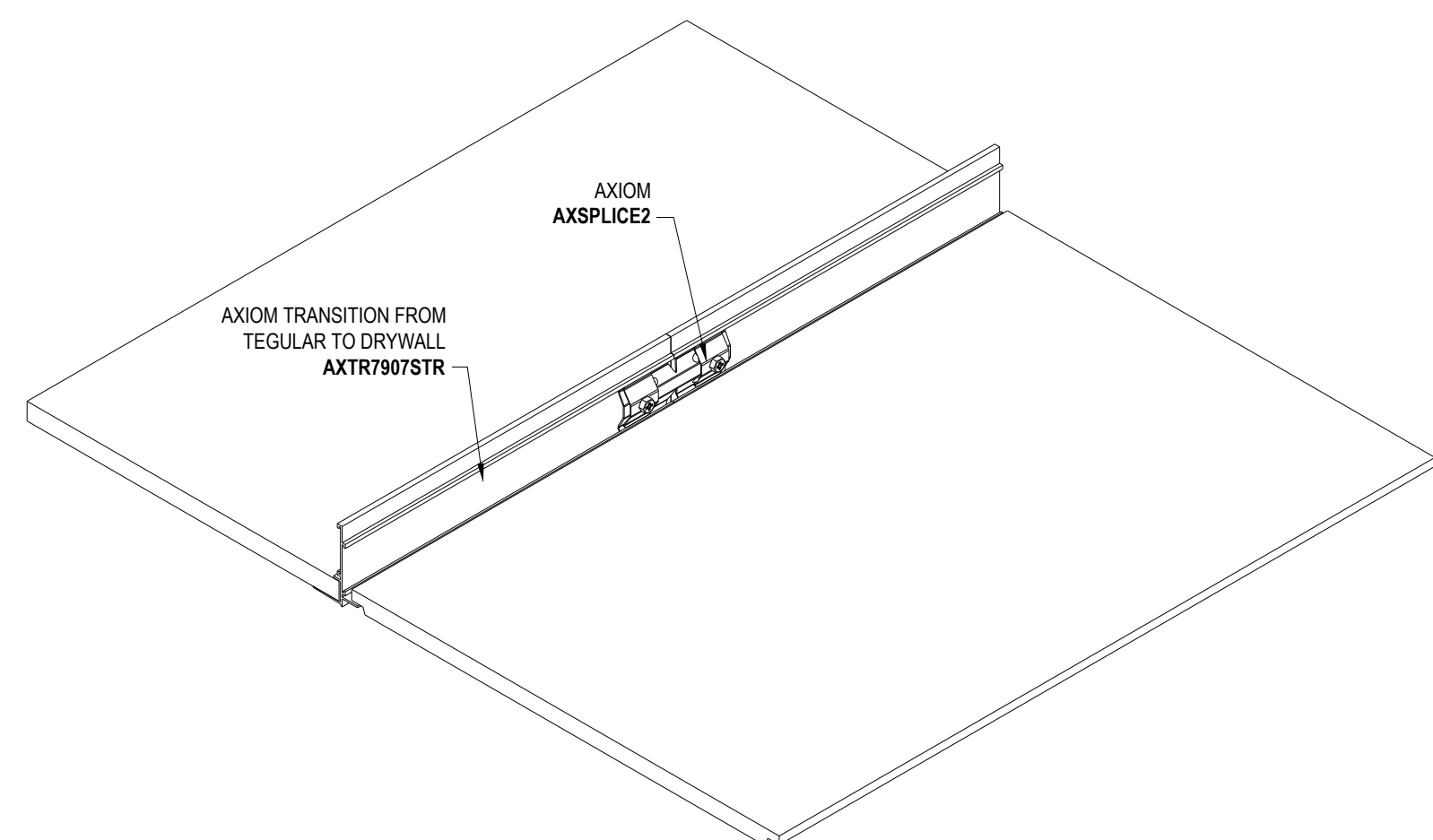
DD-31 AXIOM VECTOR TRANSITION TO DRYWALL
AXTRVSTR



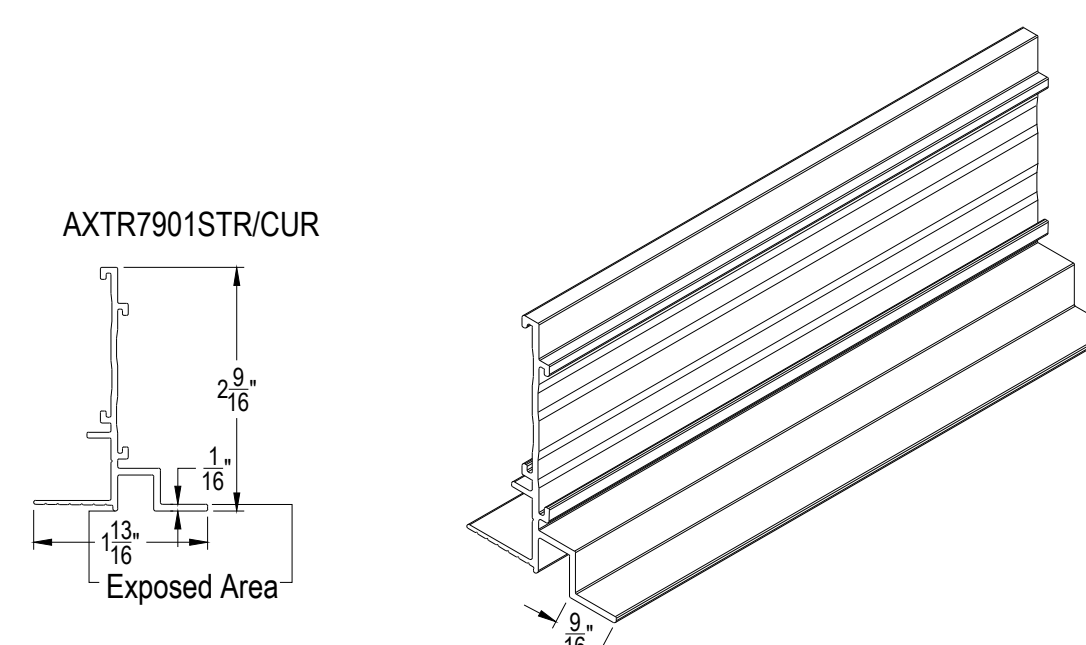
DD-32 AXIOM TRANSITION TEGULAR TO DRYWALL
AXTR7907STR/CUR



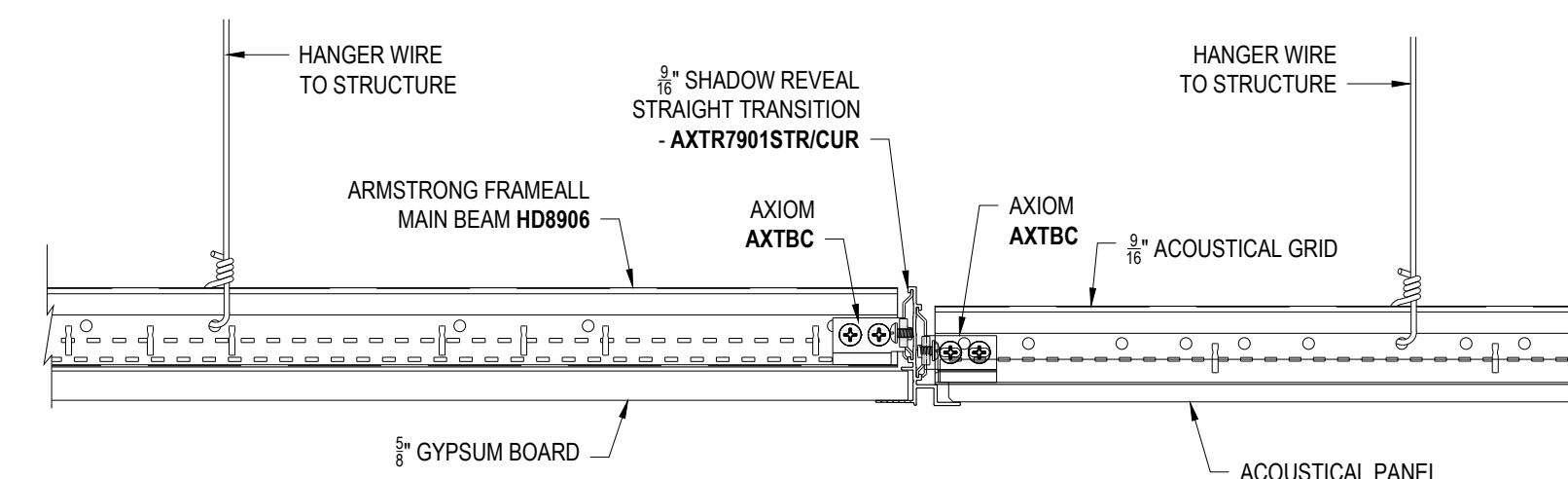
DD-33 AXIOM TEGULAR TRANSITION TO DRYWALL
AXTR7907STR/CUR



DD-34 AXIOM TEGULAR SPLICED
AXTR7907STR/CUR

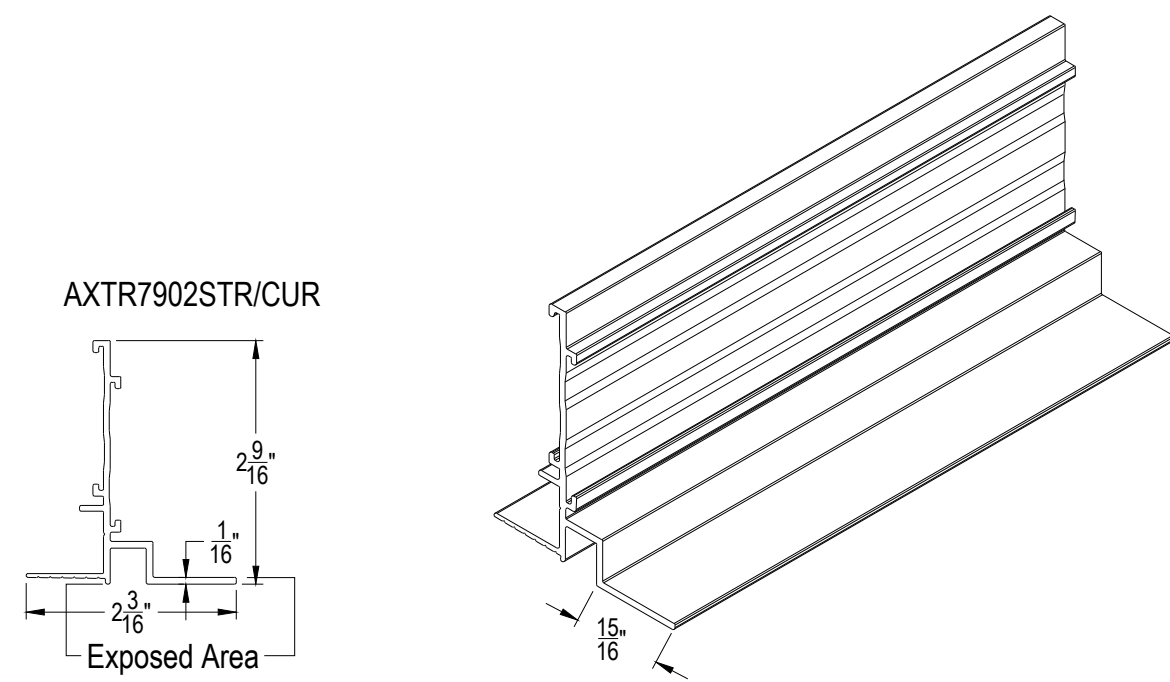


DD-35 AXIOM 9/16" SHADOW REVEAL
AXTR7901STR/CUR

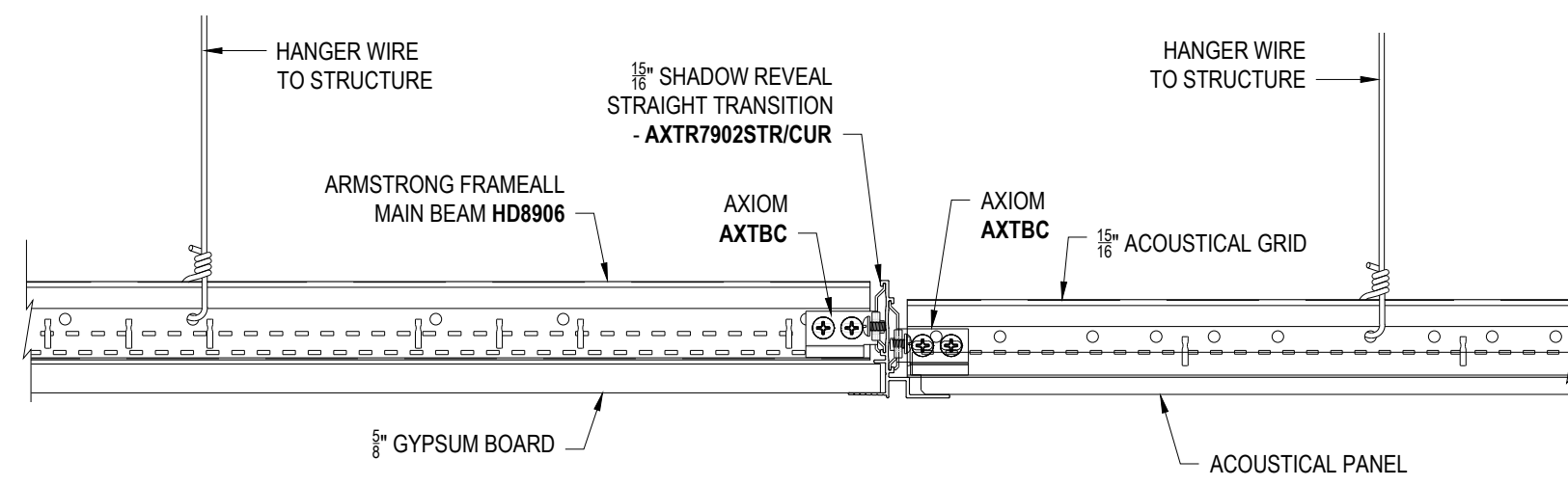


DD-36 DRYWALL TO ACT TRANSITION
AXTR7901STR/CUR

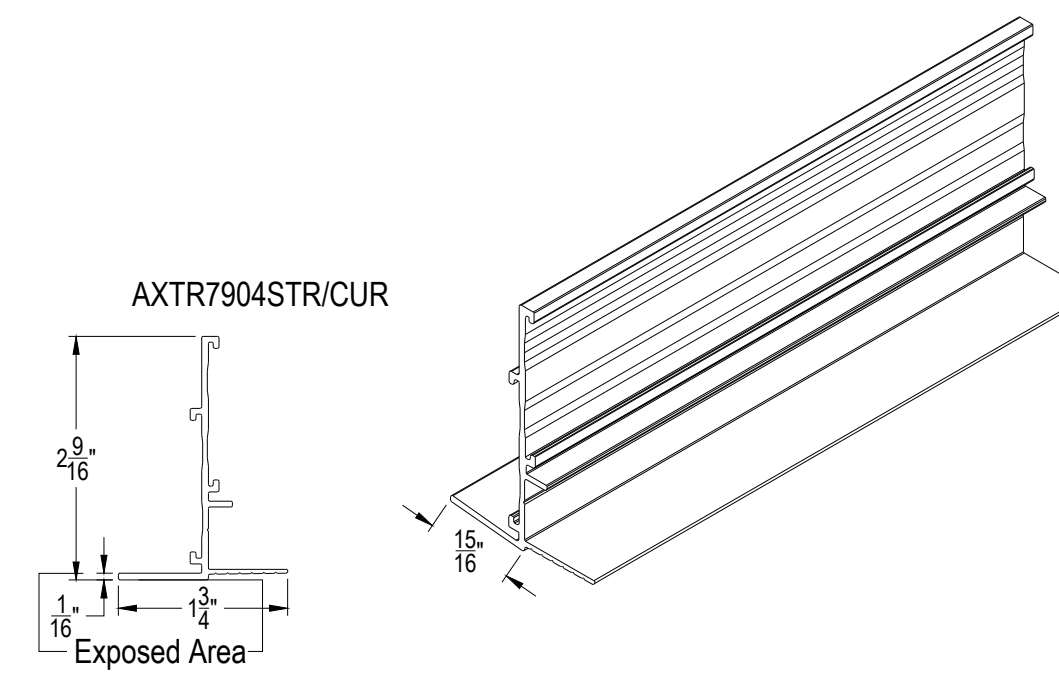
| | | | |
|--|--|--|----------------------------------|
| <small>These drawings show typical conditions in which the Armstrong product depicted is installed. They are not a substitute for an architect's or engineer's plan and do not reflect the unique requirements of local building codes, laws, ordinances, rules and regulations (Legal Requirements) that may be applicable for a particular installation.</small> | | PROJECT NAME: AXIOM TRANSITIONS MASTER SHEET | |
| <small>Armstrong does not warrant, and assumes no liability for the accuracy or completeness of the drawings for a particular installation or their fitness for a particular purpose. The user is advised to consult with a duly licensed architect or engineer in the particular locale of the installation to assure compliance with all Legal Requirements.</small> | | DWG. NO: A-A003-MS-04 | REV: . . DATE: . . |
| <small>Armstrong is not licensed to provide professional architecture or engineering design services.</small> | | DATE: 1/10/25 | SCALE: DESC: |
| | | DRAWN BY: DAG | CHK BY: |
| <small>ARMSTRONG CEILING SYSTEMS * ARMSTRONG WORLD INDUSTRIES, INC. * Lancaster, PA * Phone: 877-ARMSTRONG</small> | | | |



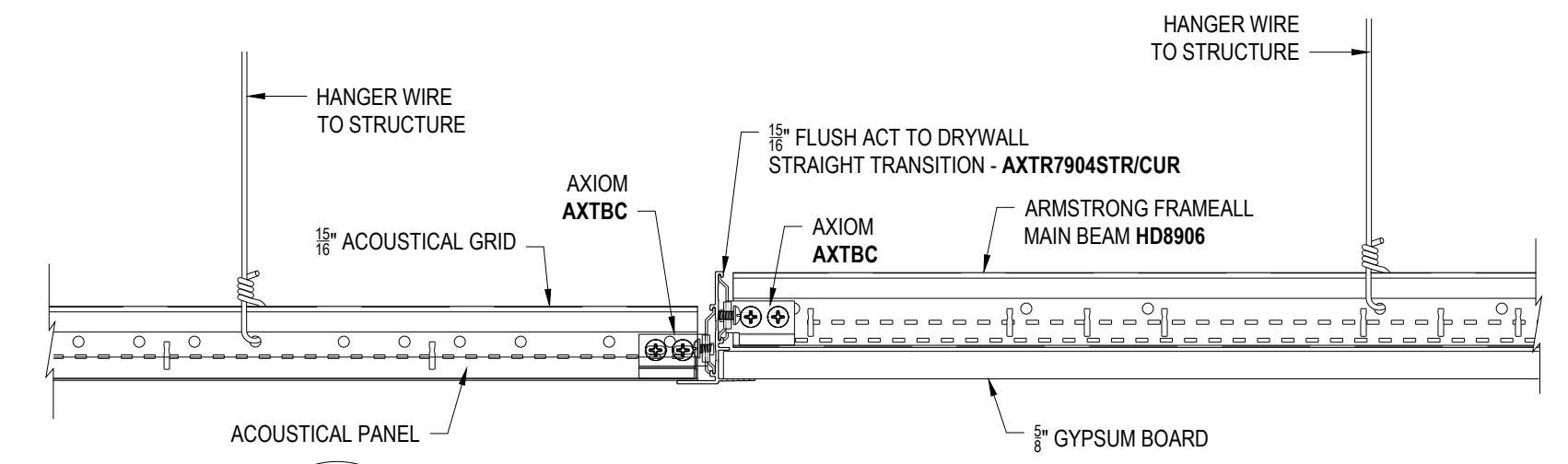
DD-37 AXIOM 15/16" SHADOW REVEAL
AXTR7902STR/CUR



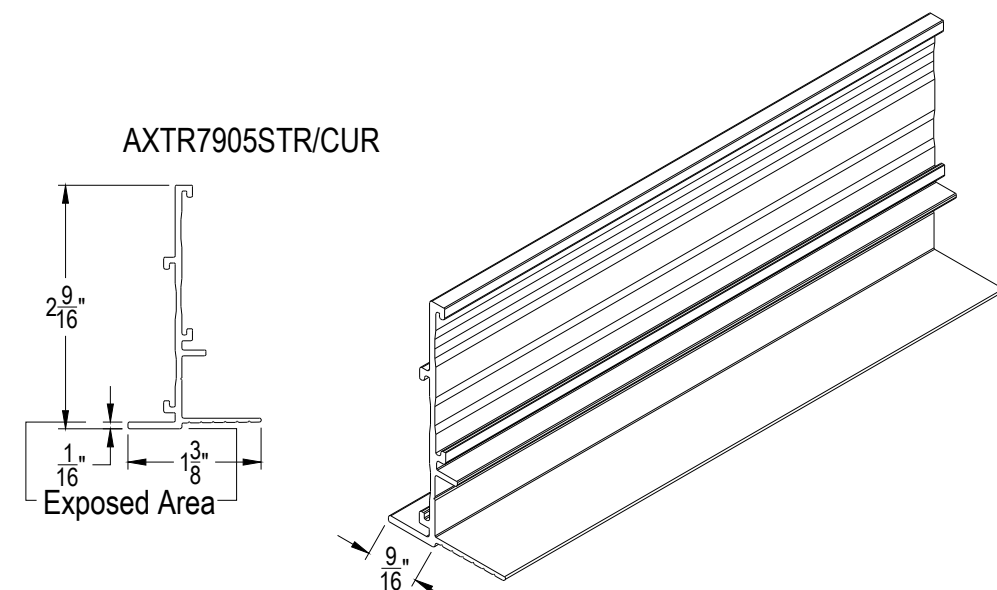
DD-38 DRYWALL TO ACT TRANSITION
AXTR7902STR/CUR



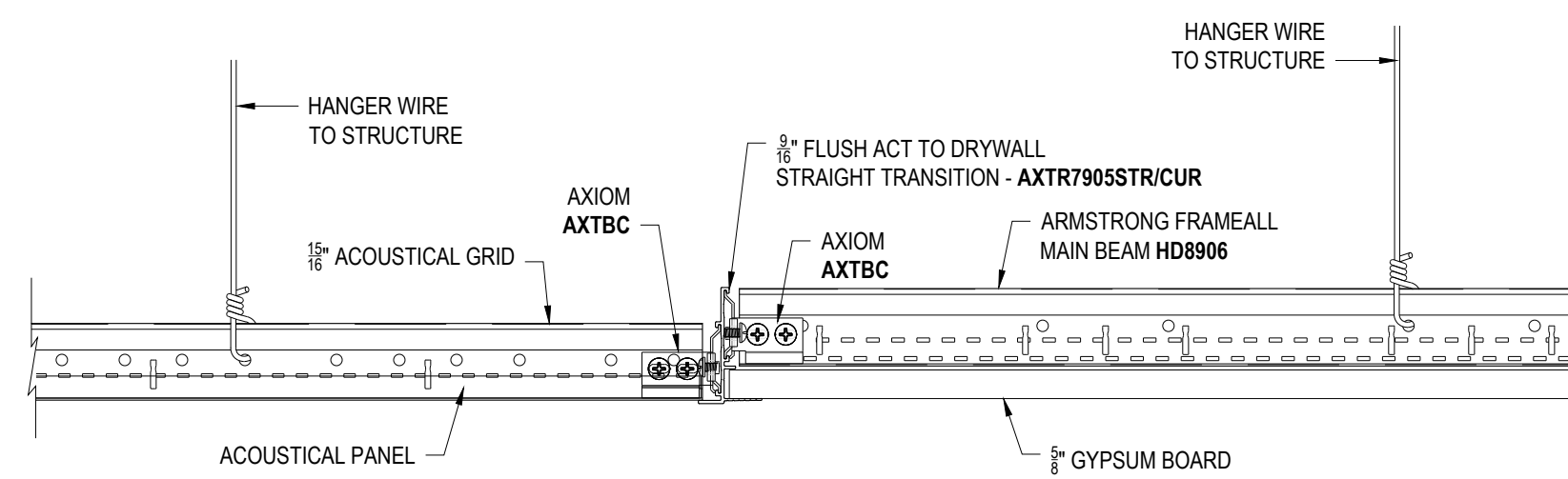
DD-39 AXIOM 15/16" FLUSH
AXTR7904STR/CUR



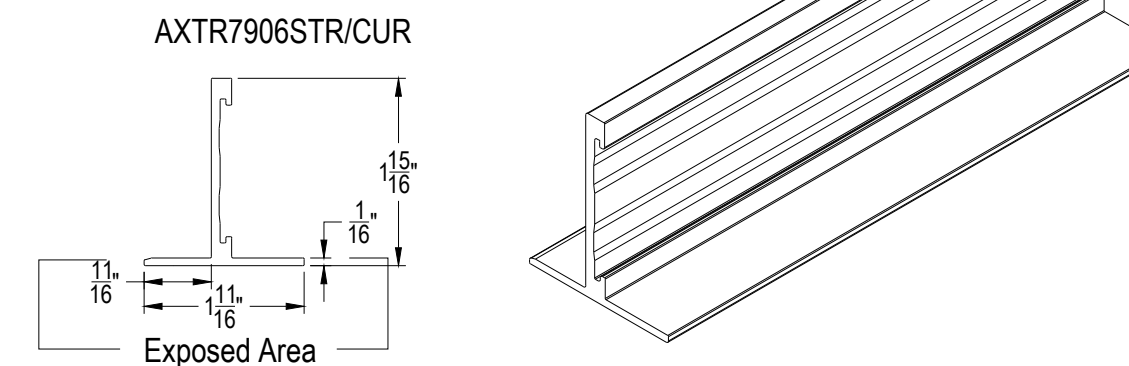
DD-40 ACT TO DRYWALL TRANSITION
AXTR7904STR/CUR



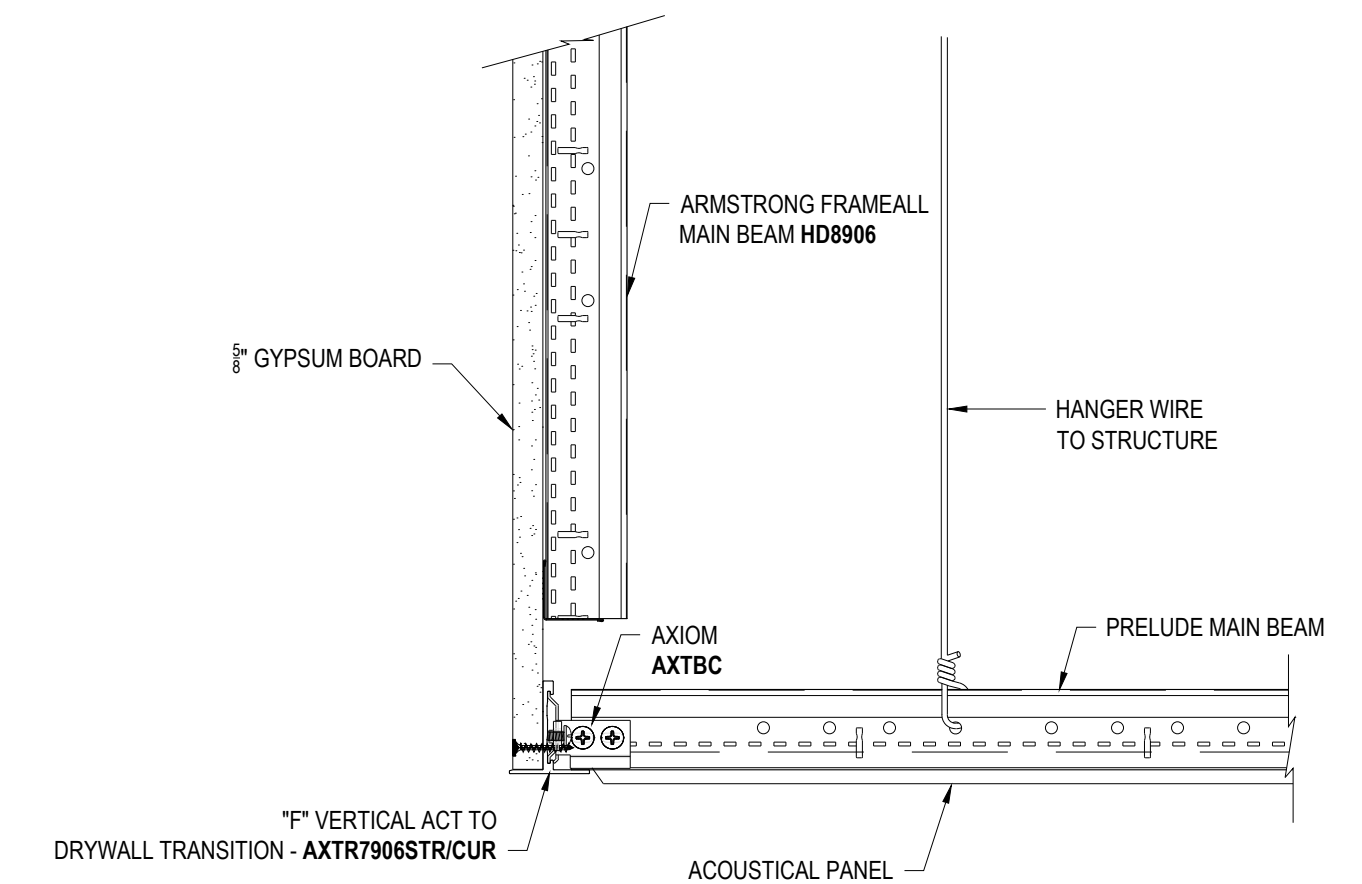
DD-41 AXIOM 9/16" FLUSH
AXTR7905STR/CUR



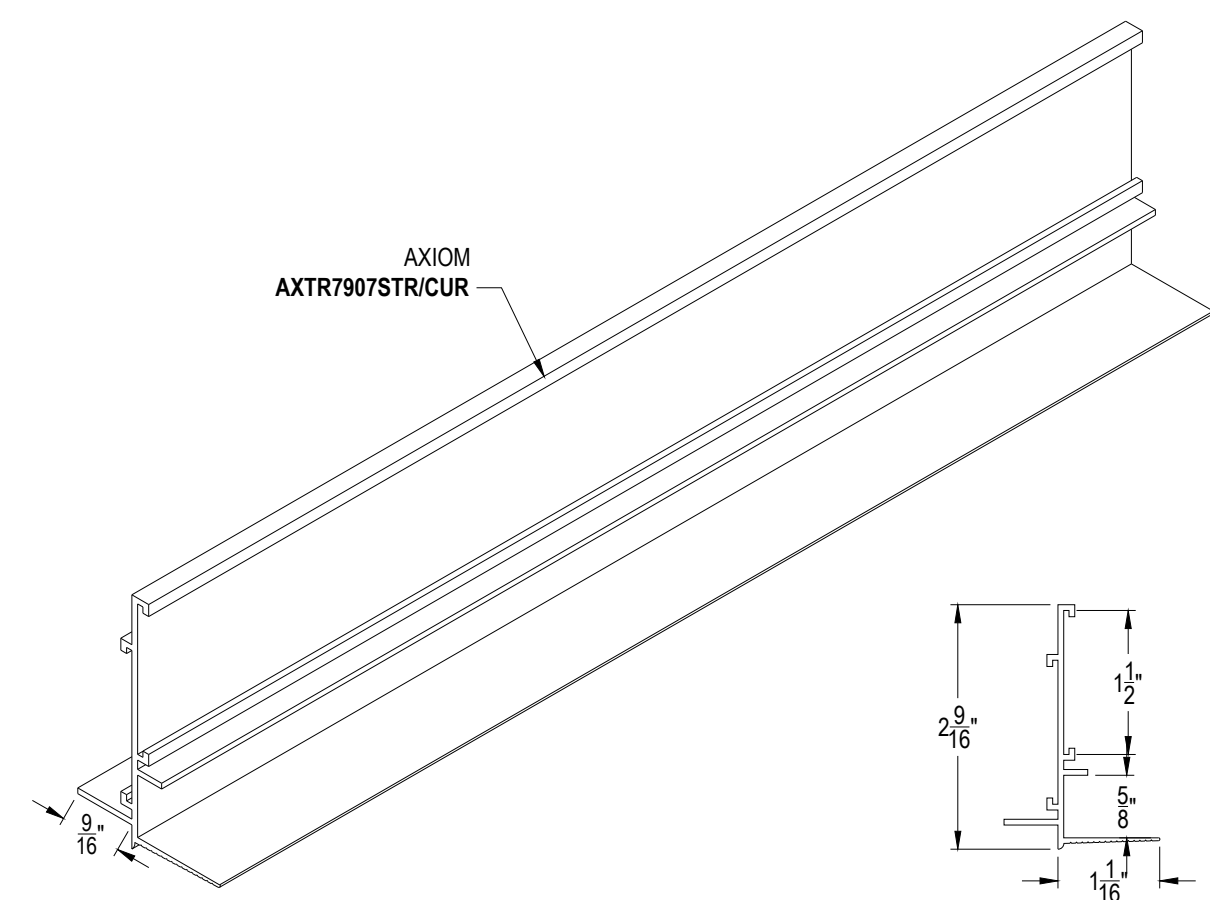
DD-42 ACT TO DRYWALL TRANSITION
AXTR7905STR/CUR



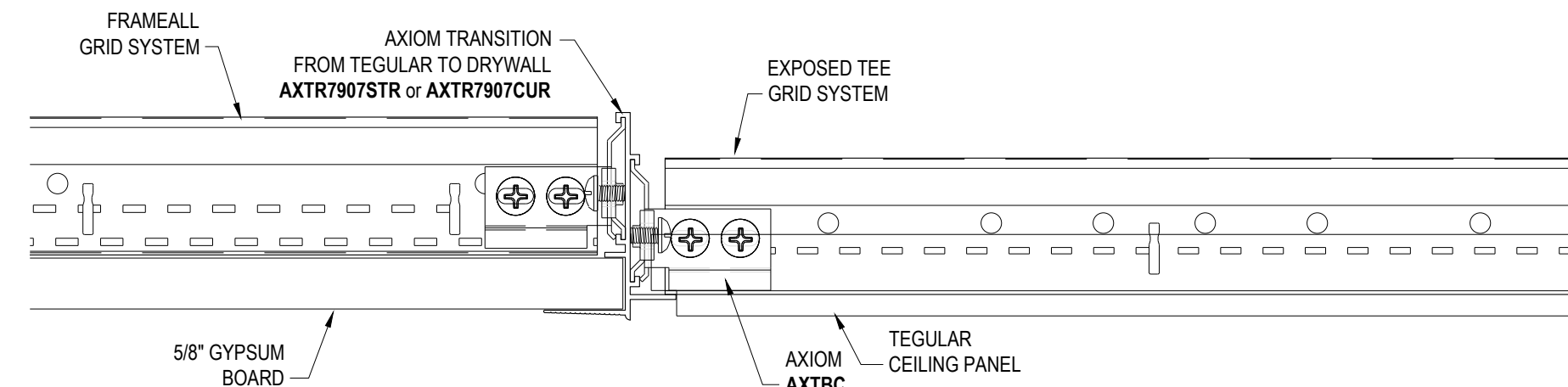
DD-43 AXIOM "F" VERTICAL
AXTR7906STR/CUR



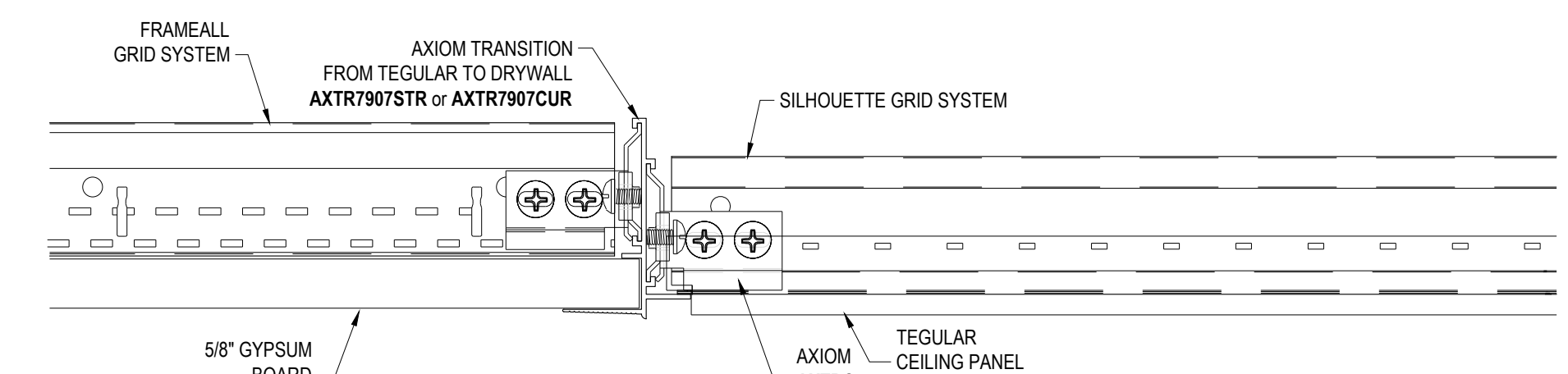
DD-44 DRYWALL TO ACT VERTICAL TRANSITION
AXTR7906STR/CUR



DD-45 AXIOM TEGULAR TO DRYWALL
AXTR7907STR/CUR



DD-46 DRYWALL TO ACT TRANSITION
AXTR7907STR/CUR



DD-47 DRYWALL TO SILHOUETTE TRANSITION
AXTR7907STR/CUR

These drawings show typical conditions in which the Armstrong product depicted is installed. They are not a substitute for an architect's or engineer's plan and do not reflect the unique requirements of local building codes, laws, ordinances, rules and regulations (Legal Requirements) that may be applicable for a particular installation.

Armstrong does not warrant, and assumes no liability for the accuracy or completeness of the drawings for a particular installation or their fitness for a particular purpose. The user is advised to consult with a duly licensed architect or engineer in the particular locale of the installation to assure compliance with all Legal Requirements.

Armstrong is not licensed to provide professional architecture or engineering design services.

Techn

ARMSTRONG CEILING SYSTEMS * ARMSTRONG WORLD INDUSTRIES, INC. * Lancaster, PA * Phone: 877-ARMSTRONG



PROJECT NAME: AXIOM TRANSITIONS MASTER SHEET

DWG. NO. A-A003-MS-05

DATE: 1/10/25

DRAWN BY: DAG

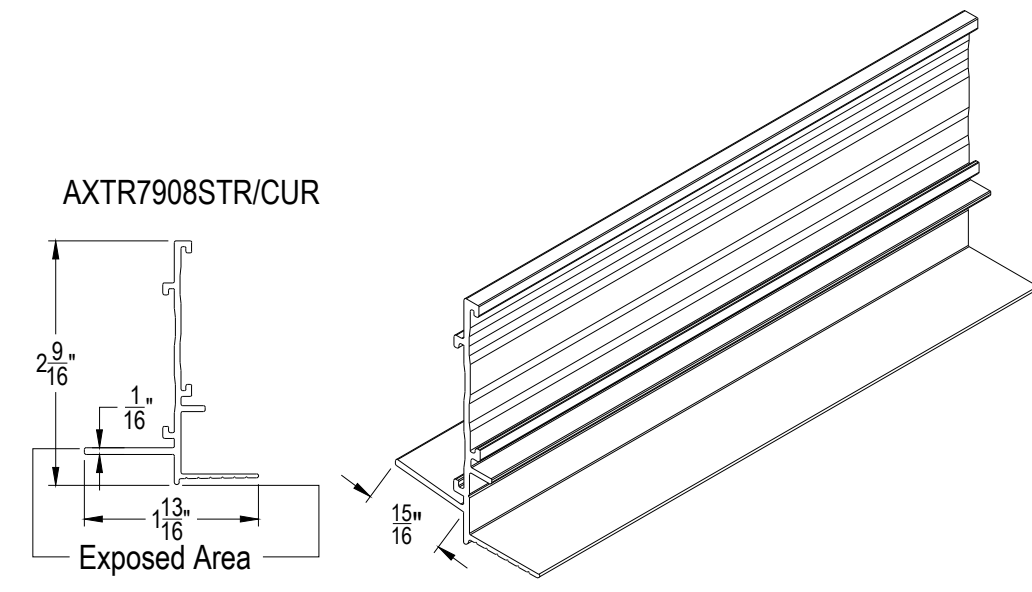
REV: .

SCALE:

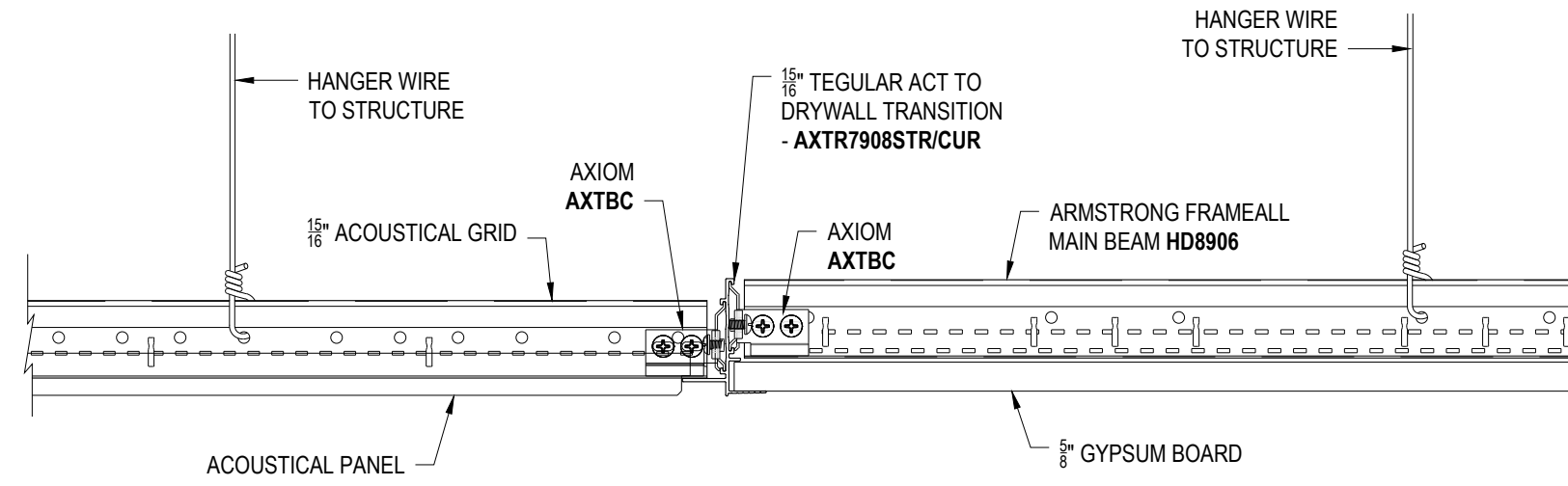
CHK BY:

DATE: .

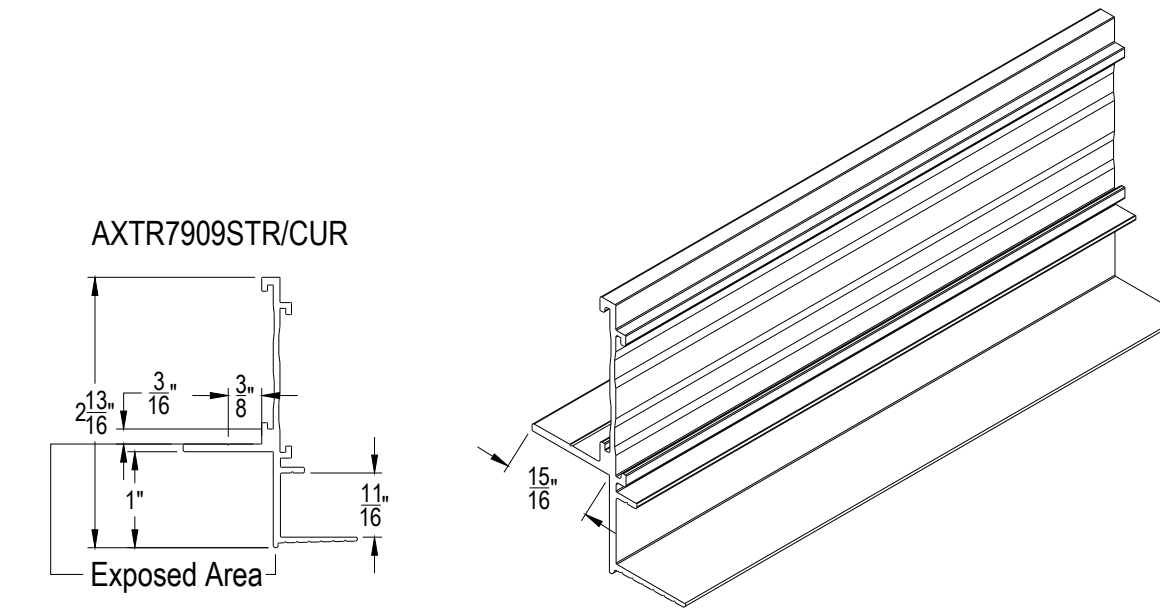
DESC: .



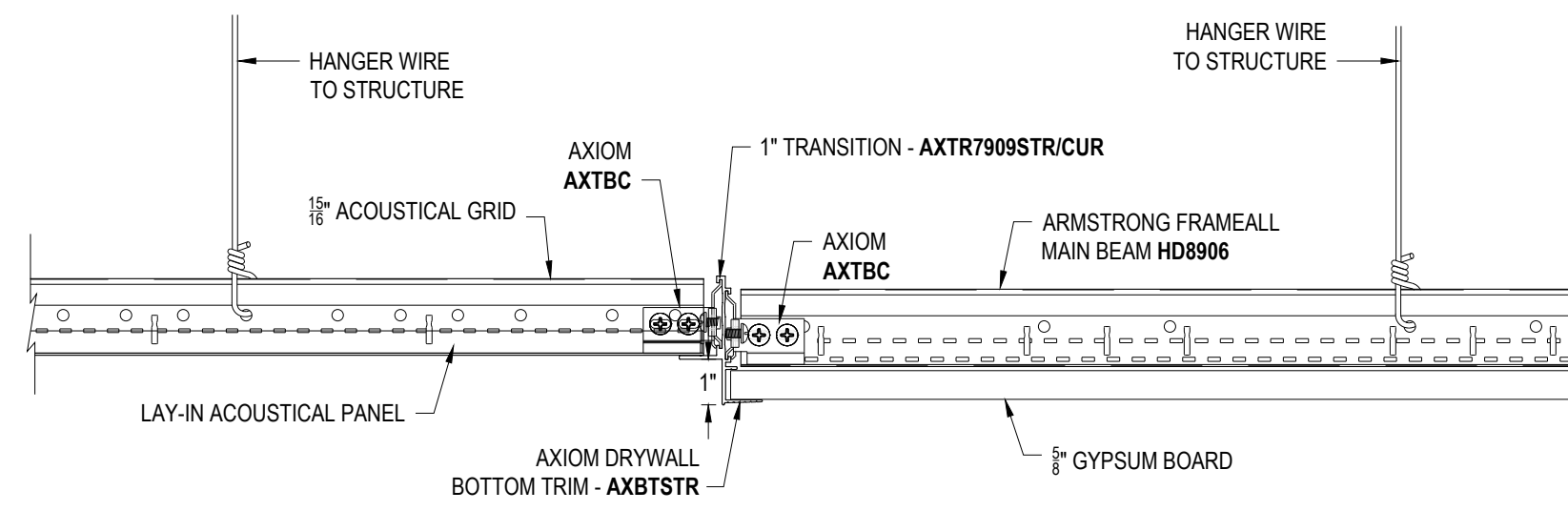
DD-48 AXIOM TEGULAR TO DRYWALL
AXTR7908STR/CUR



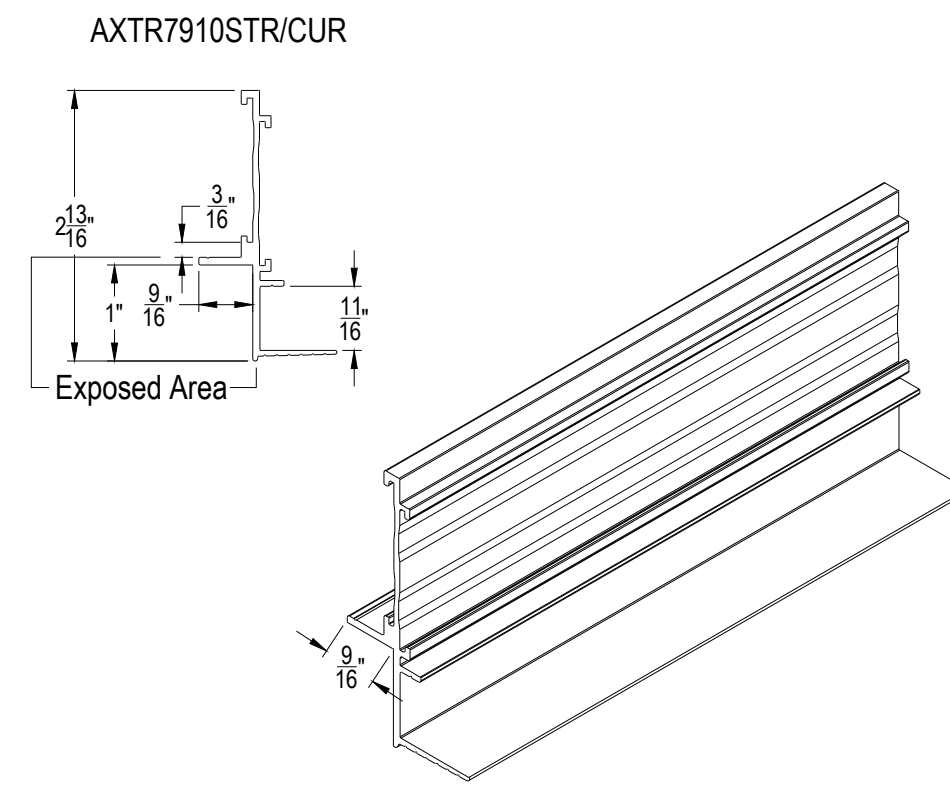
DD-49 ACT TO DRYWALL TRANSITION
AXTR7908STR/CUR



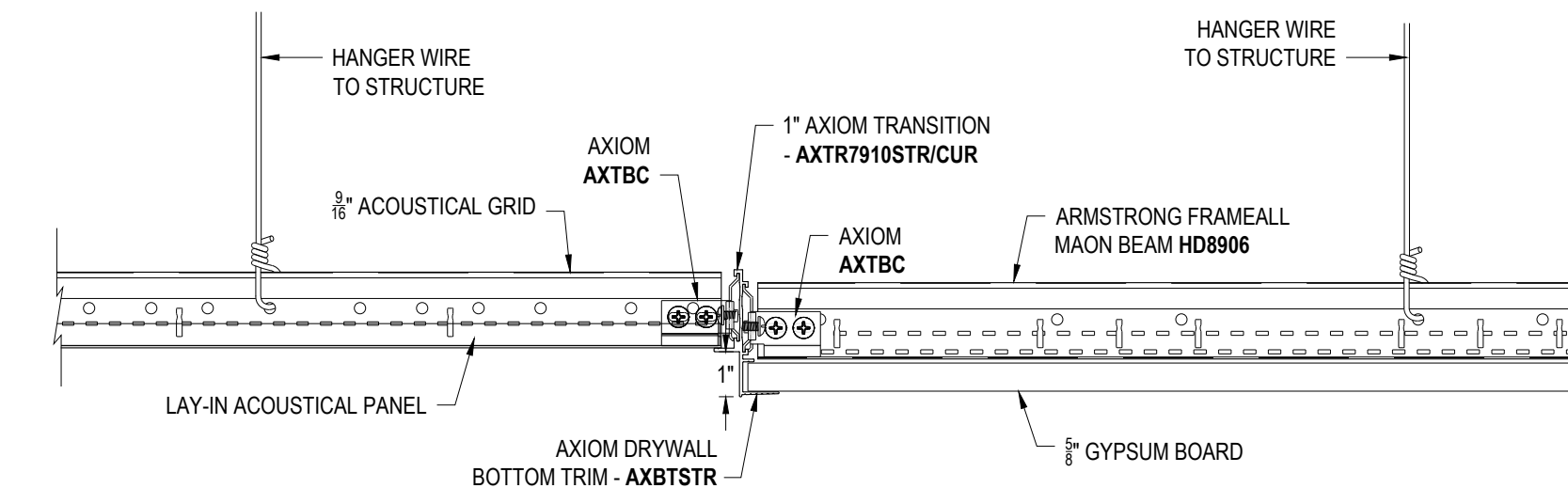
DD-50 AXIOM 1" TRANSITION
AXTR7909STR/CUR



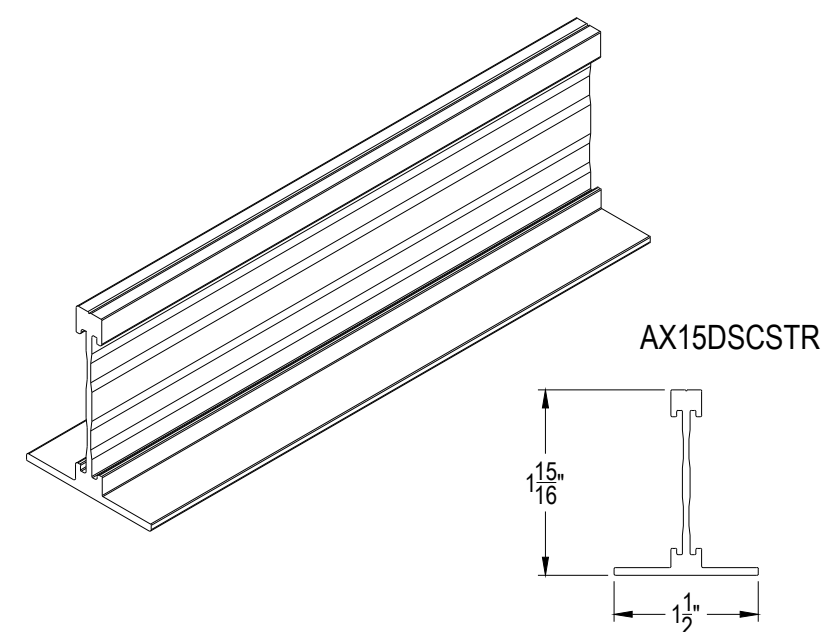
DD-51 ACT TO DRYWALL TRANSITION
AXTR7909STR/CUR



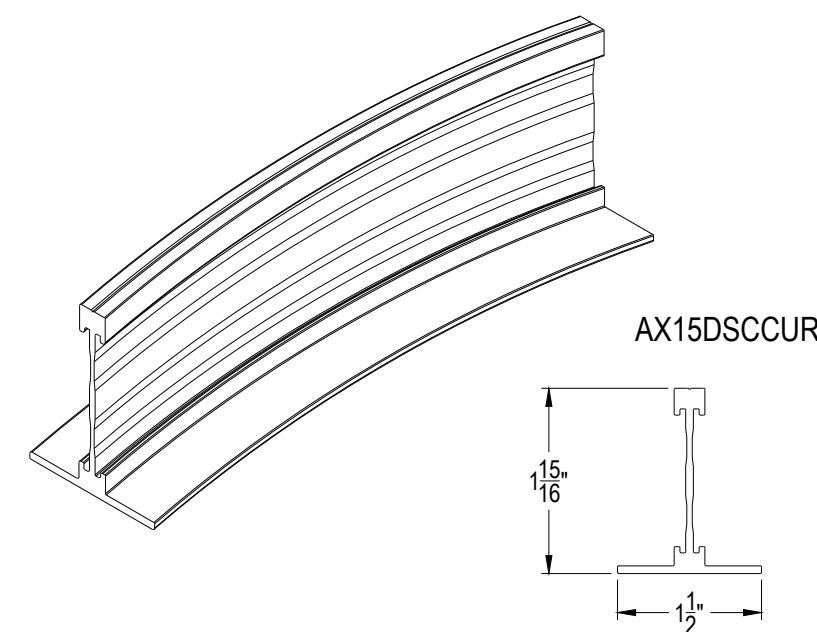
DD-52 AXIOM 1" TRANSITION
AXTR7910STR/CUR



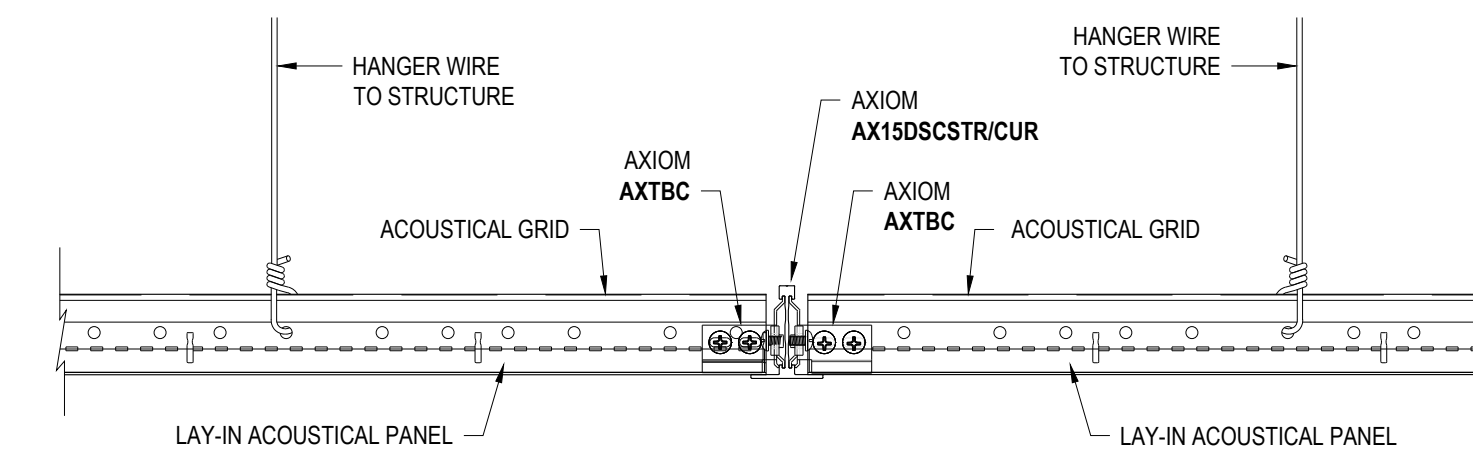
DD-53 ACT TO DRYWALL TRANSITION
AXTR7910STR/CUR



DD-54 AXIOM DOUBLE SIDED CONNECTION
AX15DSCSTR



DD-55 AXIOM DOUBLE SIDED CONNECTION
AX15DSCCUR



DD-56 ACT TO ACT TRANSITION
AX15DSCSTR/CUR

These drawings show typical conditions in which the Armstrong product depicted is installed. They are not a substitute for an architect or engineer's plan and do not reflect the unique requirements of local building codes, laws, ordinances, rules and regulations (Legal Requirements) that may be applicable for a particular installation.

Armstrong does not warrant, and assumes no liability for the accuracy or completeness of the drawings for a particular installation or their fitness for a particular purpose.

The user is advised to consult with a duly licensed architect or engineer in the particular locale of the installation to assure compliance with all Legal Requirements.

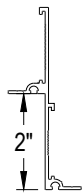
Armstrong is not licensed to provide professional architecture or engineering design services.

Techn

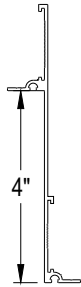
ARMSTRONG CEILING SYSTEMS * ARMSTRONG WORLD INDUSTRIES, INC. * Lancaster, PA * Phone: 877-ARMSTRONG

Armstrong

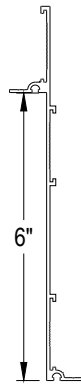
| | | | |
|--|---------|---------|--|
| PROJECT NAME: AXIOM TRANSITIONS MASTER SHEET | | | |
| DWG. NO: A-A003-MS-06 | REV: . | DATE: . | |
| DATE: 1/10/25 | SCALE: | DESC: . | |
| DRAWN BY: DAG | CHK BY: | | |



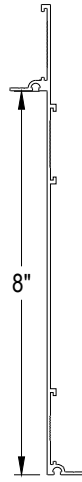
2" AXIOM TRANSITION TRIM - AXTR2STR



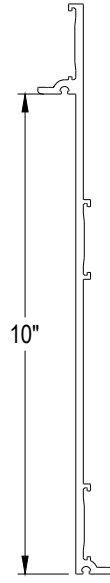
4" AXIOM TRANSITION TRIM - AXTR4STR



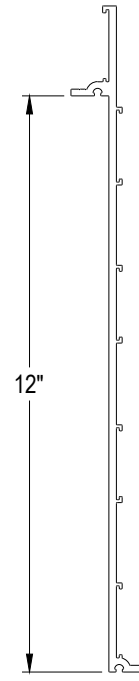
6" AXIOM TRANSITION TRIM - AXTR6STR



8" AXIOM TRANSITION TRIM - AXTR8STR



10" AXIOM TRANSITION TRIM - AXTR10STR



12" AXIOM TRANSITION TRIM - AXTR12STR

DD-01 AXIOM TRANSITION TRIMS

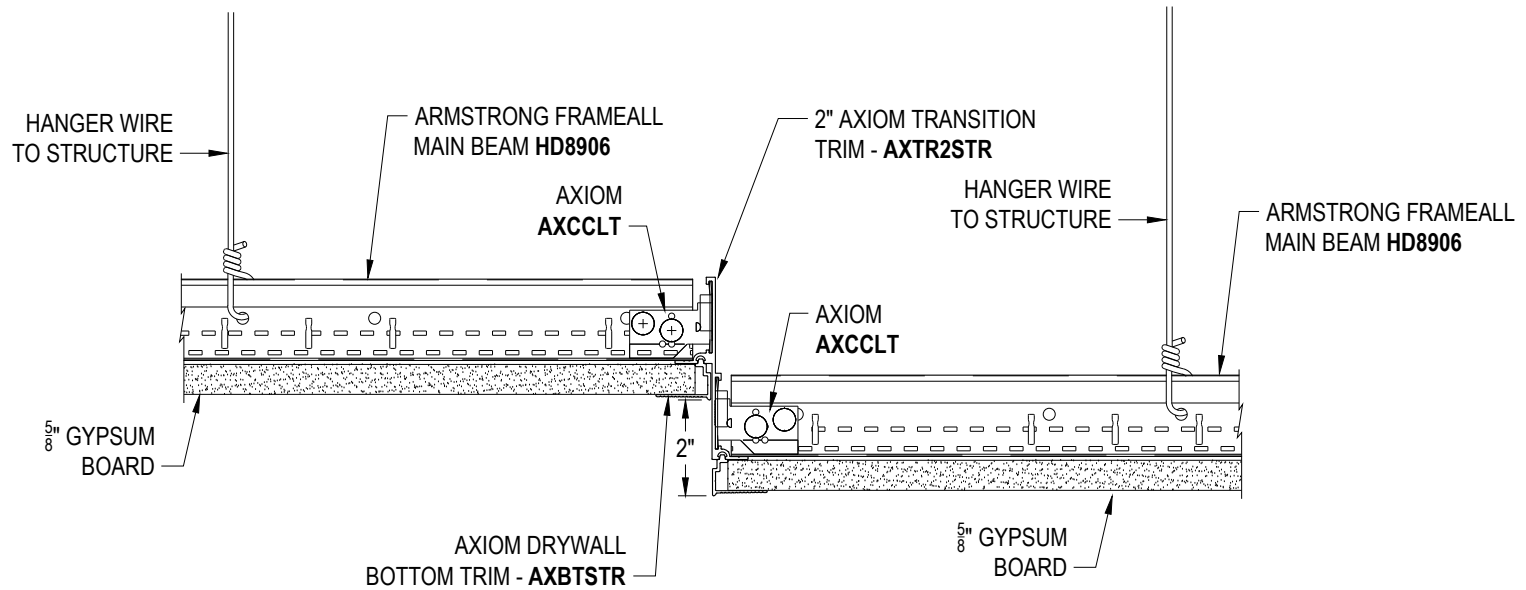
These drawings show typical conditions in which the Armstrong product depicted is installed. They are not a substitute for an architect's or engineer's plan and do not reflect the unique requirements of local building codes, laws, statutes, ordinances, rules and regulations (Legal Requirements) that may be applicable for a particular installation.

Armstrong does not warrant, and assumes no liability for the accuracy or completeness of the drawings for a particular installation or their fitness for a particular purpose. The user is advised to consult with a duly licensed architect or engineer in the particular locale of the installation to assure compliance with all Legal Requirements.

Armstrong is not licensed to provide professional architecture or engineering design services.

| | | | |
|---|------------------------|--------|----------|
| PROJECT NAME: AXIOM TRANSITIONS MASTER SHEET | | | |
| AXIOM TRANSITION TRIMS | | | |
| DWG. NO. A-A003-DD-01 | | REV: . | DATE: . |
| DATE: 1/10/25 | SCALE: 3"=1'-0" | | DESC.: . |
| DRAWN BY: DAG | CHK BY: . | | |





DD-02 **2" AXIOM TRANSITION DRYWALL TO DRYWALL**
AXTR2STR/CUR

These drawings show typical conditions in which the Armstrong product depicted is installed. They are not a substitute for an architect's or engineer's plan and do not reflect the unique requirements of local building codes, laws, statutes, ordinances, rules and regulations (Legal Requirements) that may be applicable for a particular installation.

Armstrong does not warrant, and assumes no liability for the accuracy or completeness of the drawings for a particular installation or their fitness for a particular purpose. The user is advised to consult with a duly licensed architect or engineer in the particular locale of the installation to assure compliance with all Legal Requirements.

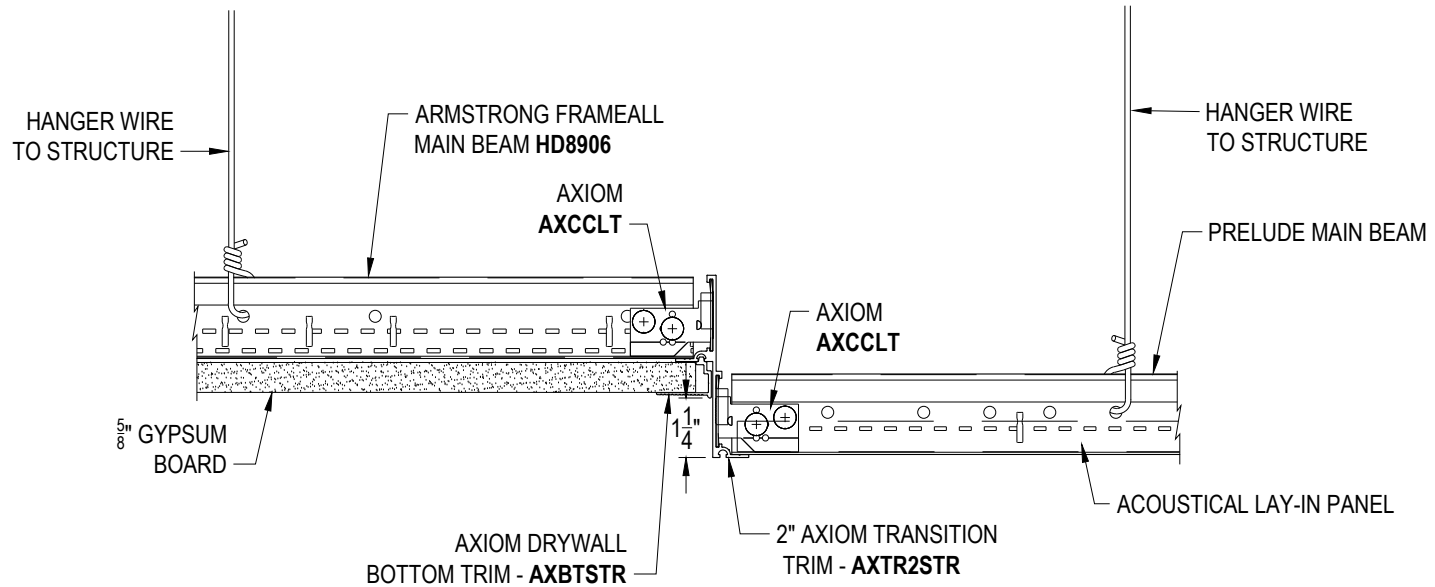
Armstrong is not licensed to provide professional architecture or engineering design services.

| | | | |
|--|------------------------|-----------|---------|
| PROJECT NAME: AXIOM TRANSITIONS MASTER SHEET | | | |
| 2" AXIOM TRANSITION DRYWALL TO DRYWALL AXTR2STR/CUR | | | |
| DWG. NO. A-A003-DD-02 | | REV: . | DATE: . |
| DATE: 1/10/25 | SCALE: 3"=1'-0" | DESC.: . | |
| DRAWN BY: DAG | | CHK BY: . | |



CEILING & WALL SOLUTIONS * ARMSTRONG WORLD INDUSTRIES, INC. * Lancaster, PA * Phone: 877-ARMSTRONG





DD-03 1-1/4" AXIOM TRANSITION DRYWALL TO ACT
AXTR2STR/CUR

These drawings show typical conditions in which the Armstrong product depicted is installed. They are not a substitute for an architect's or engineer's plan and do not reflect the unique requirements of local building codes, laws, statutes, ordinances, rules and regulations (Legal Requirements) that may be applicable for a particular installation.

Armstrong does not warrant, and assumes no liability for the accuracy or completeness of the drawings for a particular installation or their fitness for a particular purpose. The user is advised to consult with a duly licensed architect or engineer in the particular locale of the installation to assure compliance with all Legal Requirements.

Armstrong is not licensed to provide professional architecture or engineering design services.

PROJECT NAME: **AXIOM TRANSITIONS MASTER SHEET**
1-1/4" AXIOM TRANSITION DRYWALL TO ACT AXTR2STR/CUR

DWG. NO. **A-A003-DD-03**

REV: . DATE: .

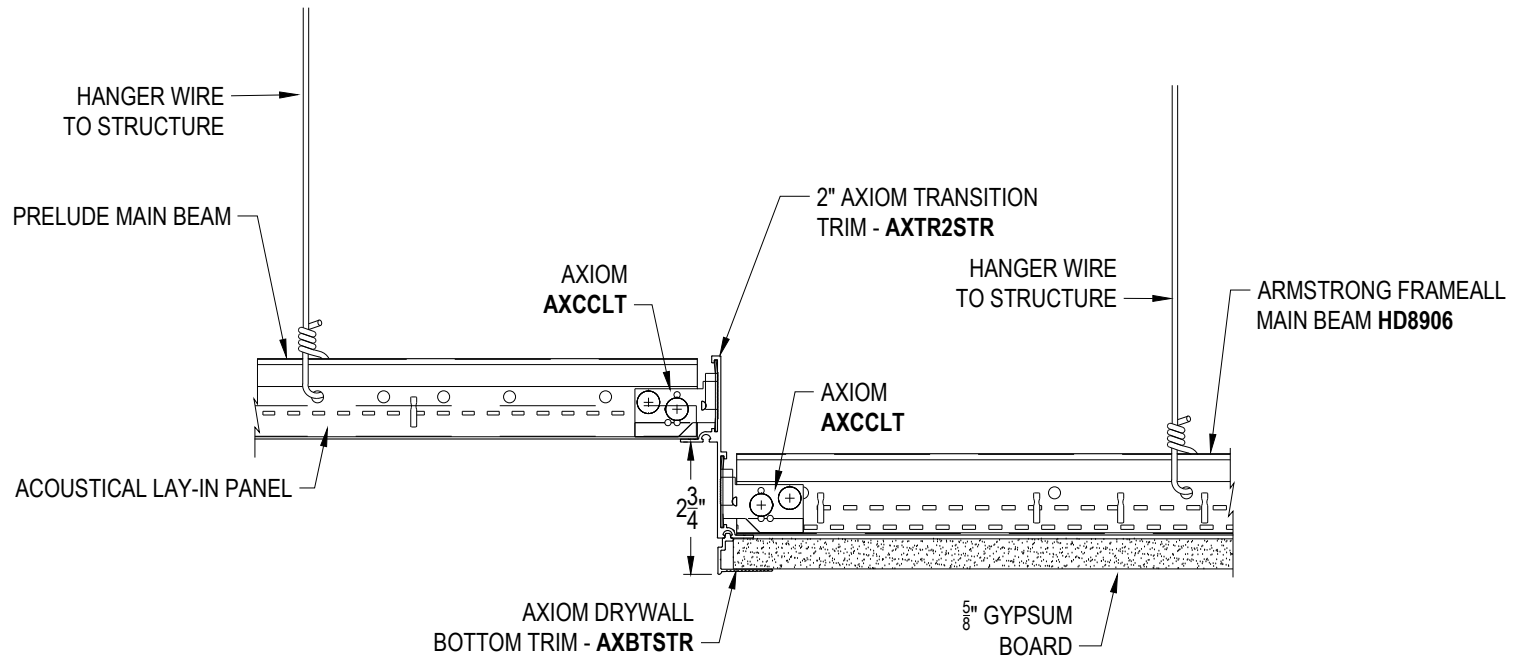
DATE: **1/10/25**

SCALE: **3"=1'-0"**

DESC.: .

DRAWN BY: **DAG**

CHK BY: .



DD-04 2-3/4" AXIOM TRANSITION ACT TO DRYWALL
AXTR2STR/CUR

These drawings show typical conditions in which the Armstrong product depicted is installed. They are not a substitute for an architect's or engineer's plan and do not reflect the unique requirements of local building codes, laws, statutes, ordinances, rules and regulations (Legal Requirements) that may be applicable for a particular installation.

Armstrong does not warrant, and assumes no liability for the accuracy or completeness of the drawings for a particular installation or their fitness for a particular purpose. The user is advised to consult with a duly licensed architect or engineer in the particular locale of the installation to assure compliance with all Legal Requirements.

Armstrong is not licensed to provide professional architecture or engineering design services.

PROJECT NAME: **AXIOM TRANSITIONS MASTER SHEET**
2-3/4" AXIOM TRANSITION ACT TO DRYWALL AXTR2STR/CUR

DWG. NO. **A-A003-DD-04**

REV: . DATE: .

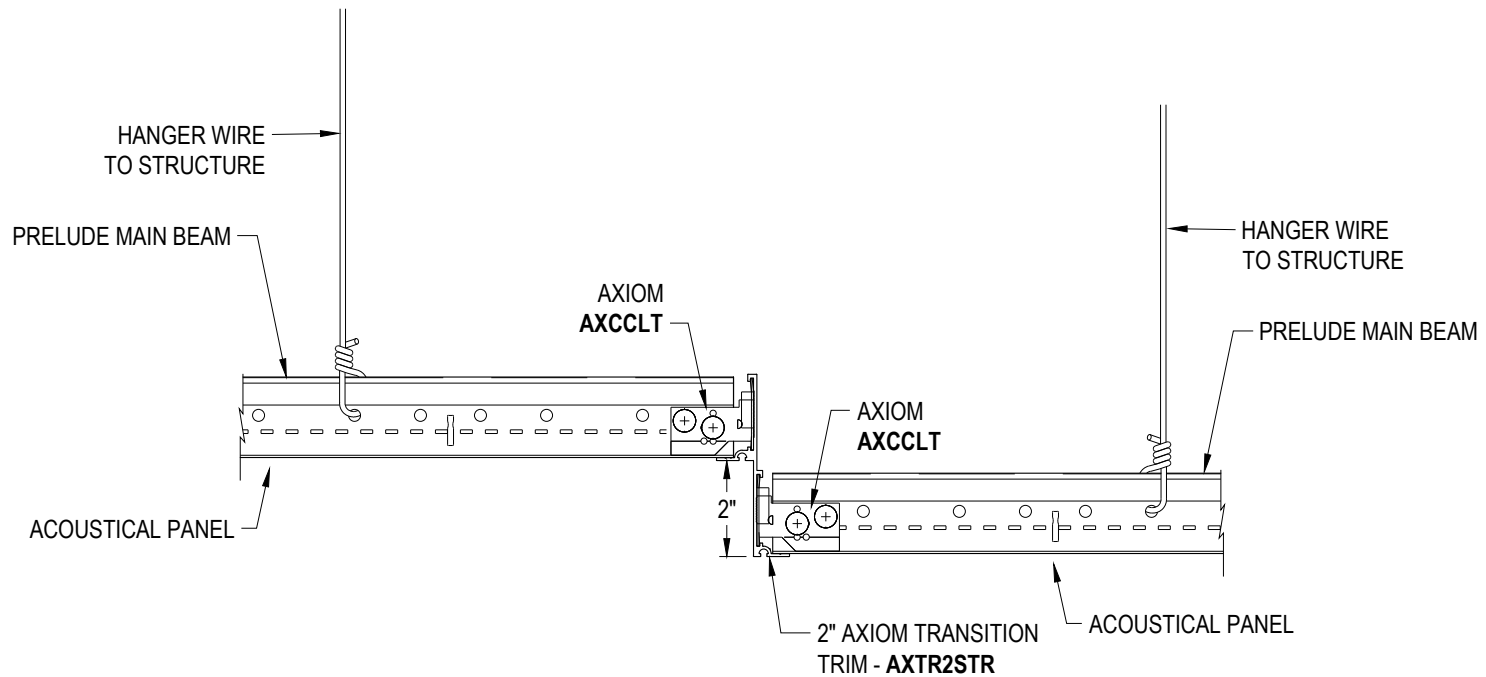
DATE: **1/10/25**

SCALE: **3"=1'-0"**

DESC.: .

DRAWN BY: **DAG**

CHK BY: .



DD-05 2" AXIOM TRANSITION ACT TO ACT
AXTR2STR/CUR

These drawings show typical conditions in which the Armstrong product depicted is installed. They are not a substitute for an architect's or engineer's plan and do not reflect the unique requirements of local building codes, laws, statutes, ordinances, rules and regulations (Legal Requirements) that may be applicable for a particular installation.

Armstrong does not warrant, and assumes no liability for the accuracy or completeness of the drawings for a particular installation or their fitness for a particular purpose. The user is advised to consult with a duly licensed architect or engineer in the particular locale of the installation to assure compliance with all Legal Requirements.

Armstrong is not licensed to provide professional architecture or engineering design services.

PROJECT NAME: **AXIOM TRANSITIONS MASTER SHEET**
2" AXIOM TRANSITION ACT TO ACT AXTR2STR/CUR

DWG. NO. **A-A003-DD-05**

REV: . DATE: .

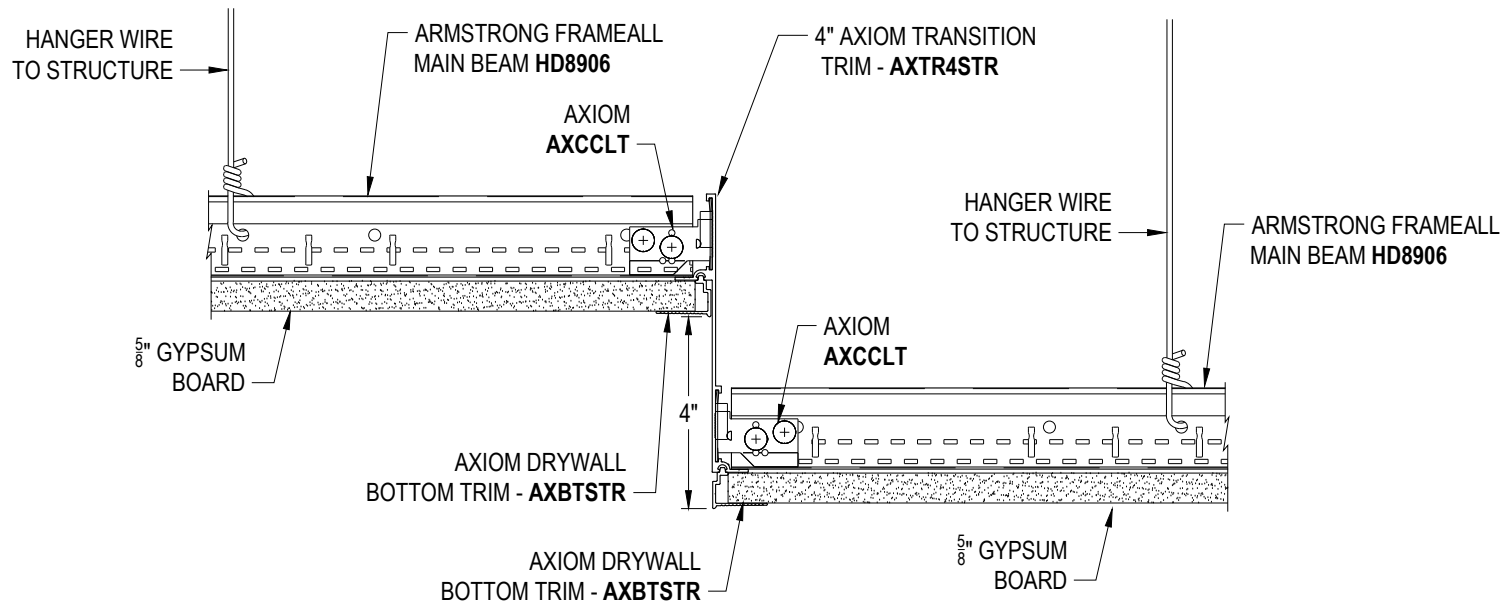
DATE: **1/10/25**

SCALE: **3"=1'-0"**

DESC.: .

DRAWN BY: **DAG**

CHK BY: .



DD-06
4" AXIOM TRANSITION DRYWALL TO DRYWALL
AXTR4STR/CUR

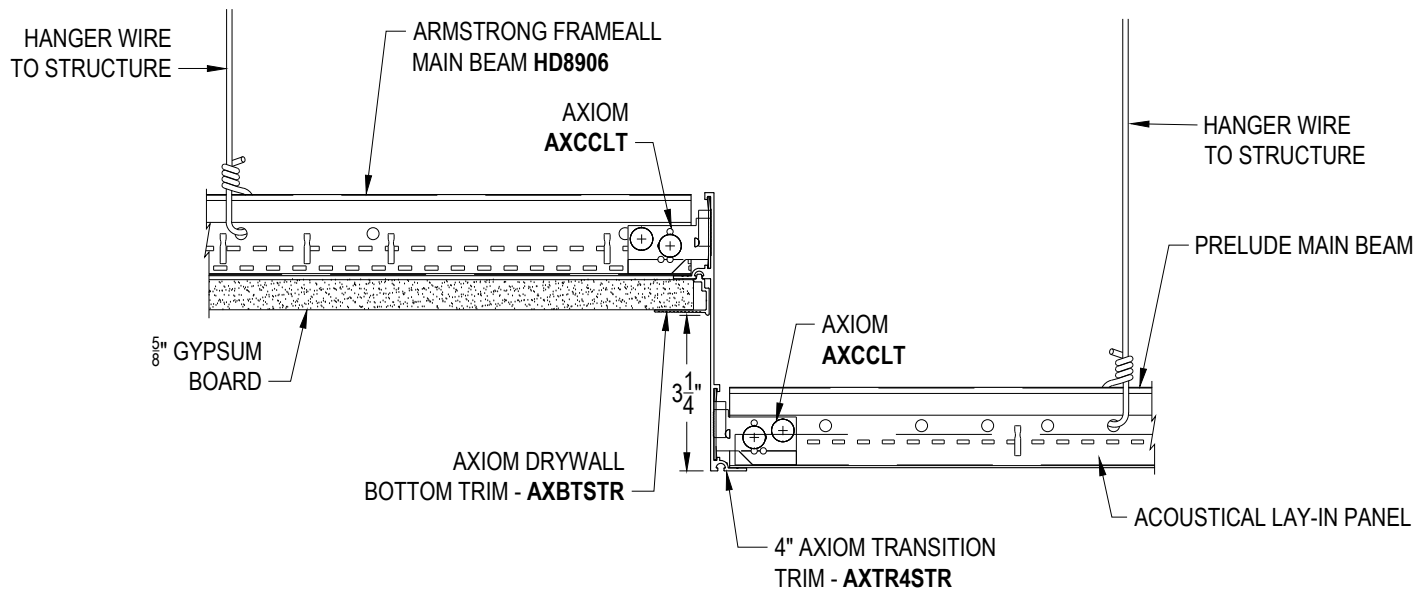
These drawings show typical conditions in which the Armstrong product depicted is installed. They are not a substitute for an architect's or engineer's plan and do not reflect the unique requirements of local building codes, laws, statutes, ordinances, rules and regulations (Legal Requirements) that may be applicable for a particular installation.

Armstrong does not warrant, and assumes no liability for the accuracy or completeness of the drawings for a particular installation or their fitness for a particular purpose. The user is advised to consult with a duly licensed architect or engineer in the particular locale of the installation to assure compliance with all Legal Requirements.

Armstrong is not licensed to provide professional architecture or engineering design services.

PROJECT NAME: **AXIOM TRANSITIONS MASTER SHEET**
4" AXIOM TRANSITION DRYWALL TO DRYWALL AXTR4STR/CUR

| | | | |
|------------------------------|------------------------|----------|---------|
| DWG. NO. A-A003-DD-06 | | REV: . | DATE: . |
| DATE: 1/10/25 | SCALE: 3"=1'-0" | DESC.: . | |
| DRAWN BY: DAG | CHK BY: . | | |



DD-07 3-1/4" AXIOM TRANSITION DRYWALL TO ACT
AXTR4STR/CUR

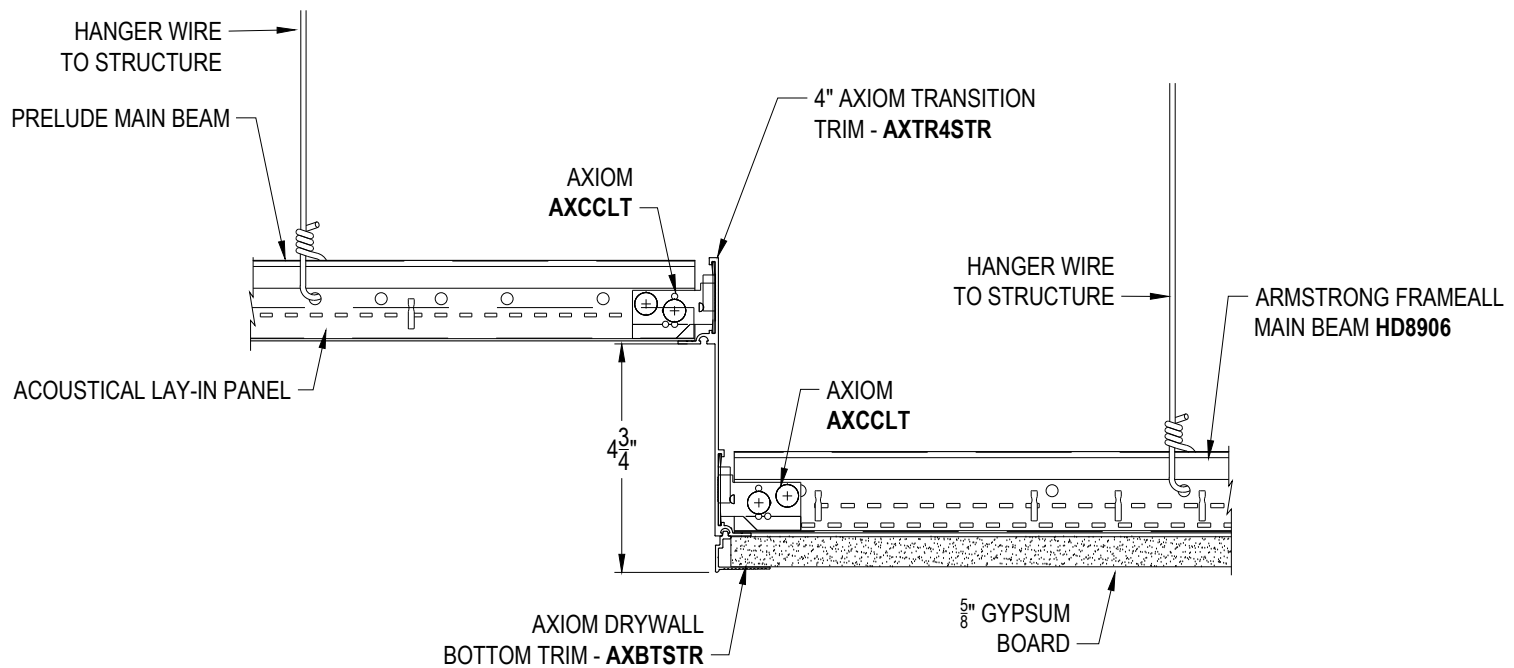
These drawings show typical conditions in which the Armstrong product depicted is installed. They are not a substitute for an architect's or engineer's plan and do not reflect the unique requirements of local building codes, laws, statutes, ordinances, rules and regulations (Legal Requirements) that may be applicable for a particular installation.

Armstrong does not warrant, and assumes no liability for the accuracy or completeness of the drawings for a particular installation or their fitness for a particular purpose. The user is advised to consult with a duly licensed architect or engineer in the particular locale of the installation to assure compliance with all Legal Requirements.

Armstrong is not licensed to provide professional architecture or engineering design services.

PROJECT NAME: **AXIOM TRANSITIONS MASTER SHEET**
3-1/4" AXIOM TRANSITION DRYWALL TO ACT AXTR4STR/CUR

| | | | |
|------------------------------|------------------------|----------|---------|
| DWG. NO. A-A003-DD-07 | | REV: . | DATE: . |
| DATE: 1/10/25 | SCALE: 3"=1'-0" | DESC.: . | |
| DRAWN BY: DAG | CHK BY: . | | |



DD-08 4-3/4" AXIOM TRANSITION - ACT TO DRYWALL
 AXTR4STR/CUR

These drawings show typical conditions in which the Armstrong product depicted is installed. They are not a substitute for an architect's or engineer's plan and do not reflect the unique requirements of local building codes, laws, statutes, ordinances, rules and regulations (Legal Requirements) that may be applicable for a particular installation.

Armstrong does not warrant, and assumes no liability for the accuracy or completeness of the drawings for a particular installation or their fitness for a particular purpose. The user is advised to consult with a duly licensed architect or engineer in the particular locale of the installation to assure compliance with all Legal Requirements.

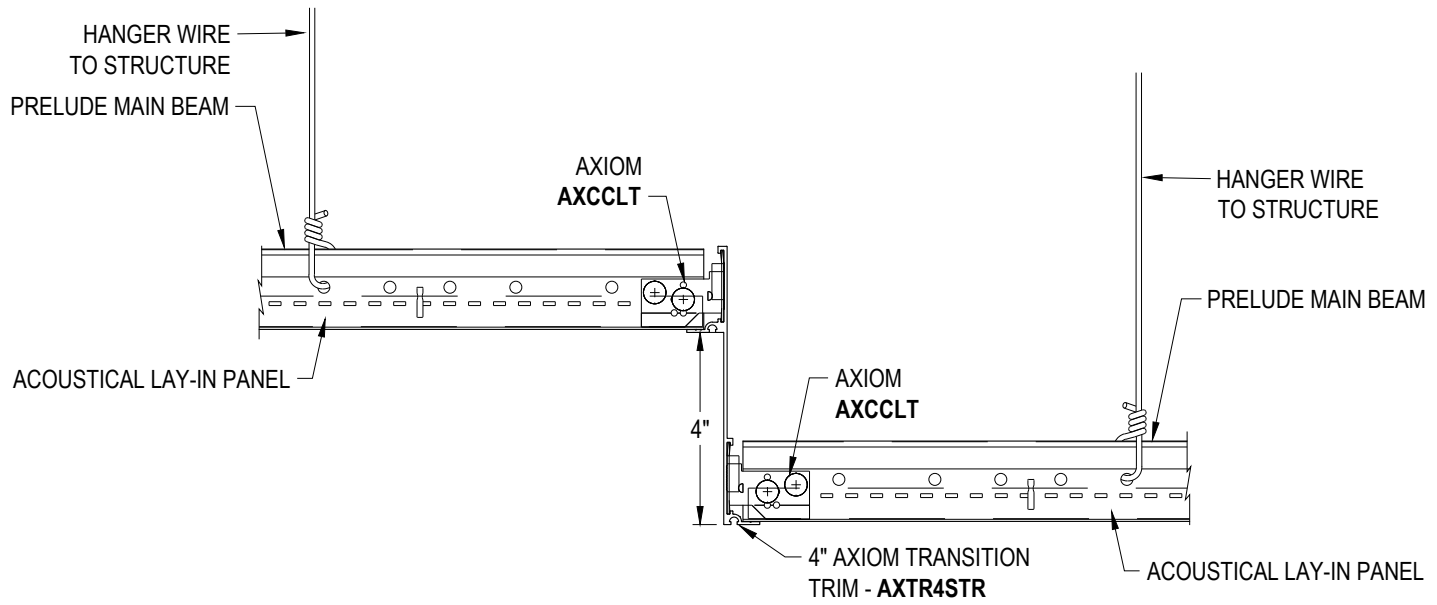
Armstrong is not licensed to provide professional architecture or engineering design services.

| | | | |
|---|------------------------|----------|---------|
| PROJECT NAME: AXIOM TRANSITIONS MASTER SHEET | | | |
| 4-3/4" AXIOM TRANSITION ACT TO DRYWALL AXTR4STR/CUR | | | |
| DWG. NO. A-A003-DD-08 | | REV: . | DATE: . |
| DATE: 1/10/25 | SCALE: 3"=1'-0" | DESC.: . | |
| DRAWN BY: DAG | CHK BY: . | | |



CEILING & WALL SOLUTIONS * ARMSTRONG WORLD INDUSTRIES, INC. * Lancaster, PA * Phone: 877-ARMSTRONG





DD-09 4" AXIOM TRANSITION ACT TO ACT
AXTR4STR/CUR

These drawings show typical conditions in which the Armstrong product depicted is installed. They are not a substitute for an architect's or engineer's plan and do not reflect the unique requirements of local building codes, laws, statutes, ordinances, rules and regulations (Legal Requirements) that may be applicable for a particular installation.

Armstrong does not warrant, and assumes no liability for the accuracy or completeness of the drawings for a particular installation or their fitness for a particular purpose. The user is advised to consult with a duly licensed architect or engineer in the particular locale of the installation to assure compliance with all Legal Requirements.

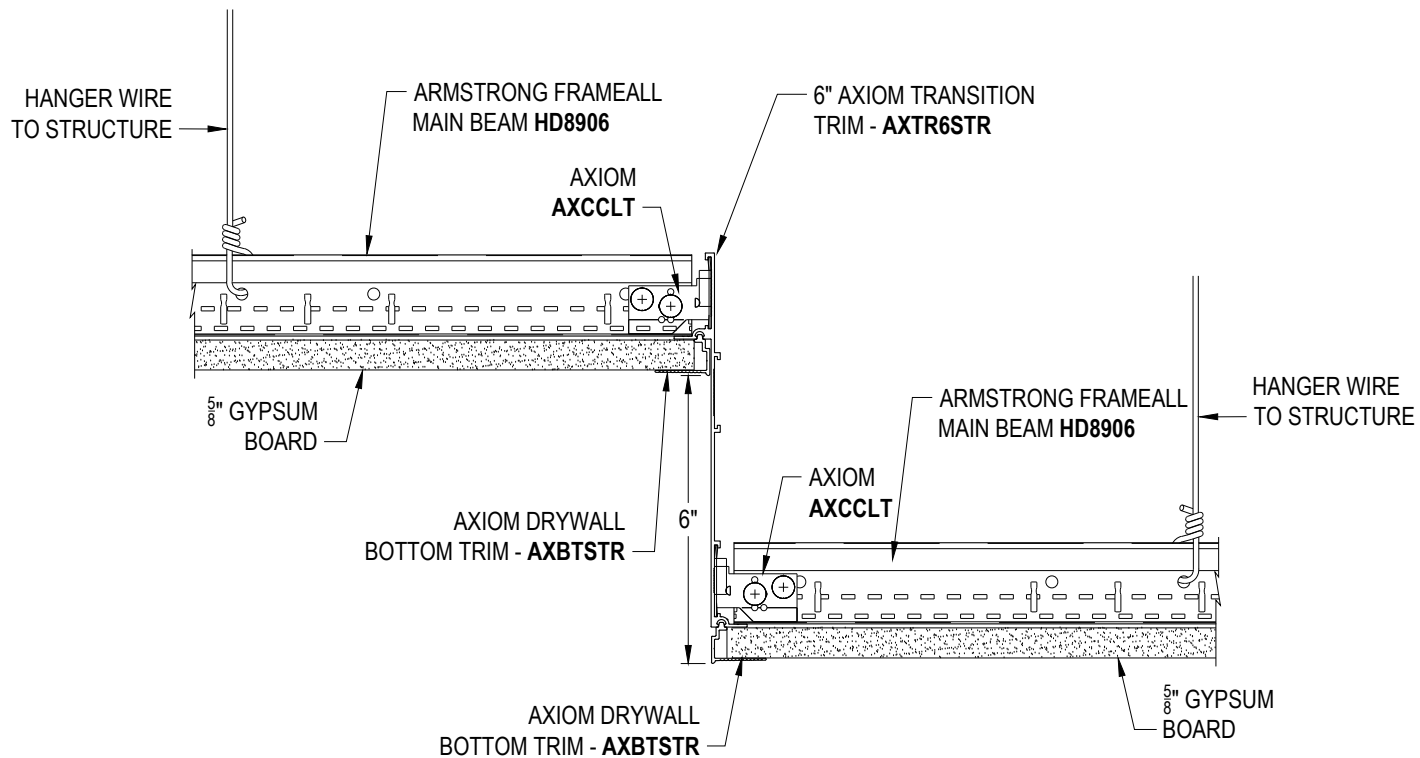
Armstrong is not licensed to provide professional architecture or engineering design services.

| | | | |
|---|------------------------|----------|--|
| PROJECT NAME: AXIOM TRANSITIONS MASTER SHEET | | | |
| 4" AXIOM TRANSITION ACT TO ACT AXTR4STR/CUR | | | |
| DWG. NO. A-A003-DD-09 | REV: . | DATE: . | |
| DATE: 1/10/25 | SCALE: 3"=1'-0" | DESC.: . | |
| DRAWN BY: DAG | CHK BY: . | | |



CEILING & WALL SOLUTIONS * ARMSTRONG WORLD INDUSTRIES, INC. * Lancaster, PA * Phone: 877-ARMSTRONG





DD-10 6" AXIOM TRANSITION DRYWALL TO DRYWALL
 AXTR6STR/CUR

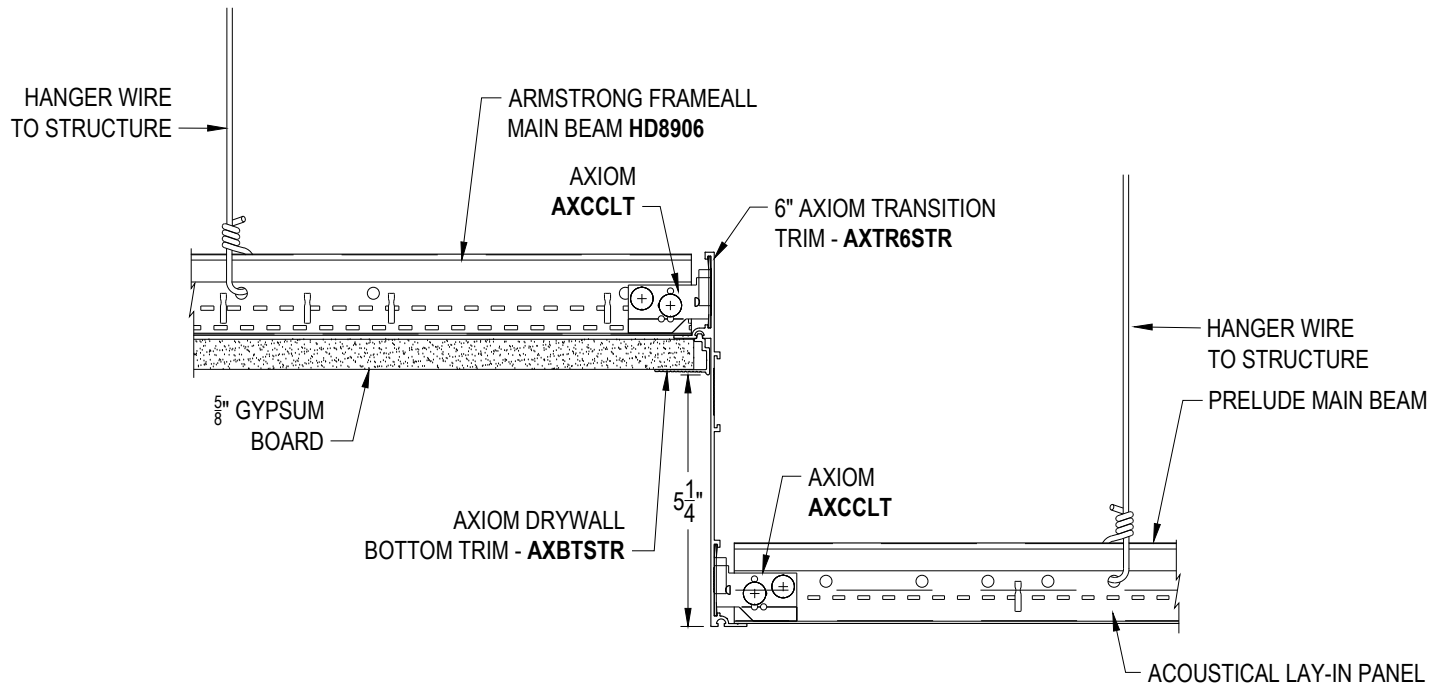
These drawings show typical conditions in which the Armstrong product depicted is installed. They are not a substitute for an architect's or engineer's plan and do not reflect the unique requirements of local building codes, laws, statutes, ordinances, rules and regulations (Legal Requirements) that may be applicable for a particular installation.

Armstrong does not warrant, and assumes no liability for the accuracy or completeness of the drawings for a particular installation or their fitness for a particular purpose. The user is advised to consult with a duly licensed architect or engineer in the particular locale of the installation to assure compliance with all Legal Requirements.

Armstrong is not licensed to provide professional architecture or engineering design services.

PROJECT NAME: AXIOM TRANSITIONS MASTER SHEET
 6" AXIOM TRANSITION DRYWALL TO DRYWALL AXTR6STR/CUR

| | | | |
|-----------------------|-----------------|----------|---------|
| DWG. NO. A-A003-DD-10 | | REV: . | DATE: . |
| DATE: 1/10/25 | SCALE: 3"=1'-0" | DESC.: . | |
| DRAWN BY: DAG | CHK BY: . | | |



DD-11 5-1/4" AXIOM TRANSITION DRYWALL TO ACT
AXTR6STR/CUR

These drawings show typical conditions in which the Armstrong product depicted is installed. They are not a substitute for an architect's or engineer's plan and do not reflect the unique requirements of local building codes, laws, statutes, ordinances, rules and regulations (Legal Requirements) that may be applicable for a particular installation.

Armstrong does not warrant, and assumes no liability for the accuracy or completeness of the drawings for a particular installation or their fitness for a particular purpose. The user is advised to consult with a duly licensed architect or engineer in the particular locale of the installation to assure compliance with all Legal Requirements.

Armstrong is not licensed to provide professional architecture or engineering design services.

PROJECT NAME: **AXIOM TRANSITIONS MASTER SHEET**
5-1/4" AXIOM TRANSITION DRYWALL TO ACT AXTR6STR/CUR

DWG. NO. **A-A003-DD-11**

REV: . DATE: .

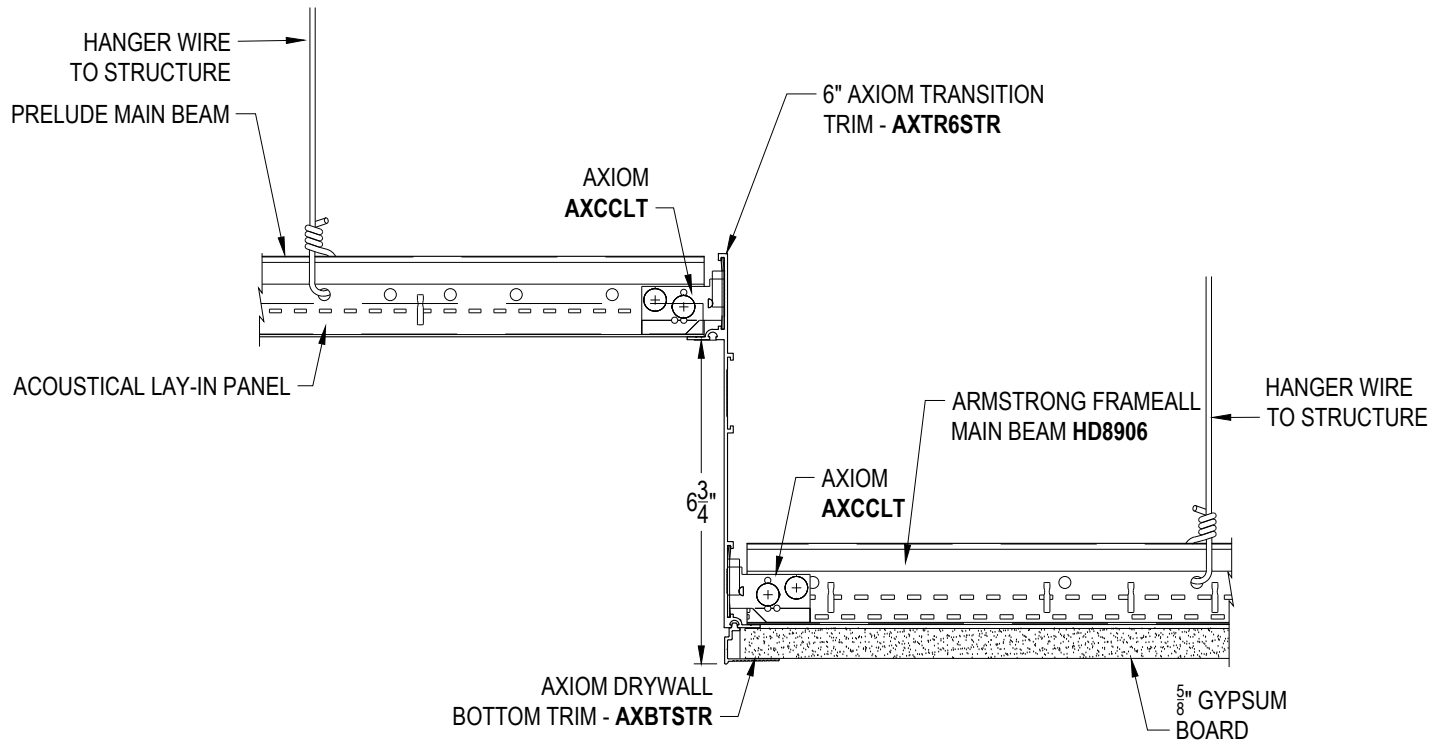
DATE: **1/10/25**

SCALE: **3"=1'-0"**

DESC.: .

DRAWN BY: **DAG**

CHK BY: .



DD-12
**6-3/4" AXIOM TRANSITION ACT TO DRYWALL
AXTR6STR/CUR**

These drawings show typical conditions in which the Armstrong product depicted is installed. They are not a substitute for an architect's or engineer's plan and do not reflect the unique requirements of local building codes, laws, statutes, ordinances, rules and regulations (Legal Requirements) that may be applicable for a particular installation.

Armstrong does not warrant, and assumes no liability for the accuracy or completeness of the drawings for a particular installation or their fitness for a particular purpose. The user is advised to consult with a duly licensed architect or engineer in the particular locale of the installation to assure compliance with all Legal Requirements.

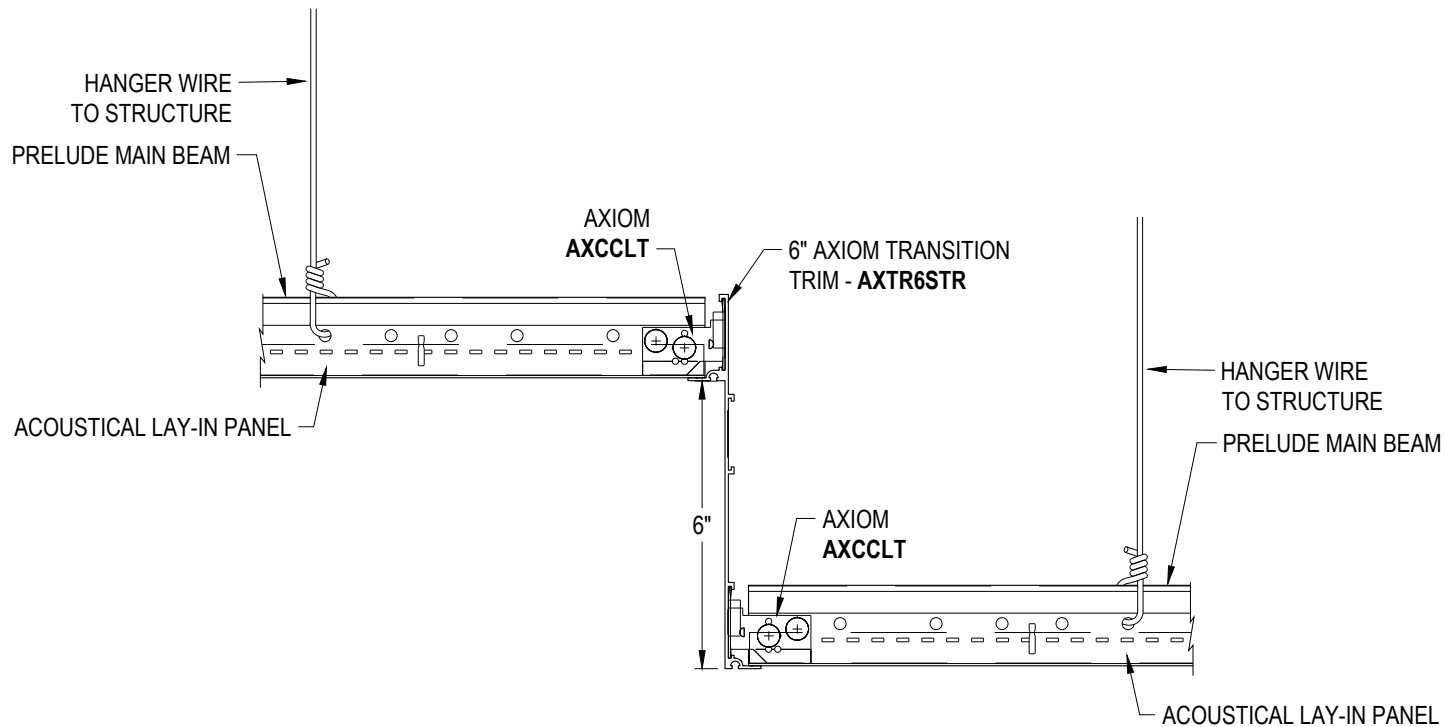
Armstrong is not licensed to provide professional architecture or engineering design services.

| | | | |
|--|------------------------|----------|---------|
| PROJECT NAME: AXIOM TRANSITIONS MASTER SHEET | | | |
| 6-3/4" AXIOM TRANSITION ACT TO DRYWALL AXTR6STR/CUR | | | |
| DWG. NO. A-A003-DD-12 | | REV: . | DATE: . |
| DATE: 1/10/25 | SCALE: 3"=1'-0" | DESC.: . | |
| DRAWN BY: DAG | CHK BY: . | | |



CEILING & WALL SOLUTIONS * ARMSTRONG WORLD INDUSTRIES, INC. * Lancaster, PA * Phone: 877-ARMSTRONG





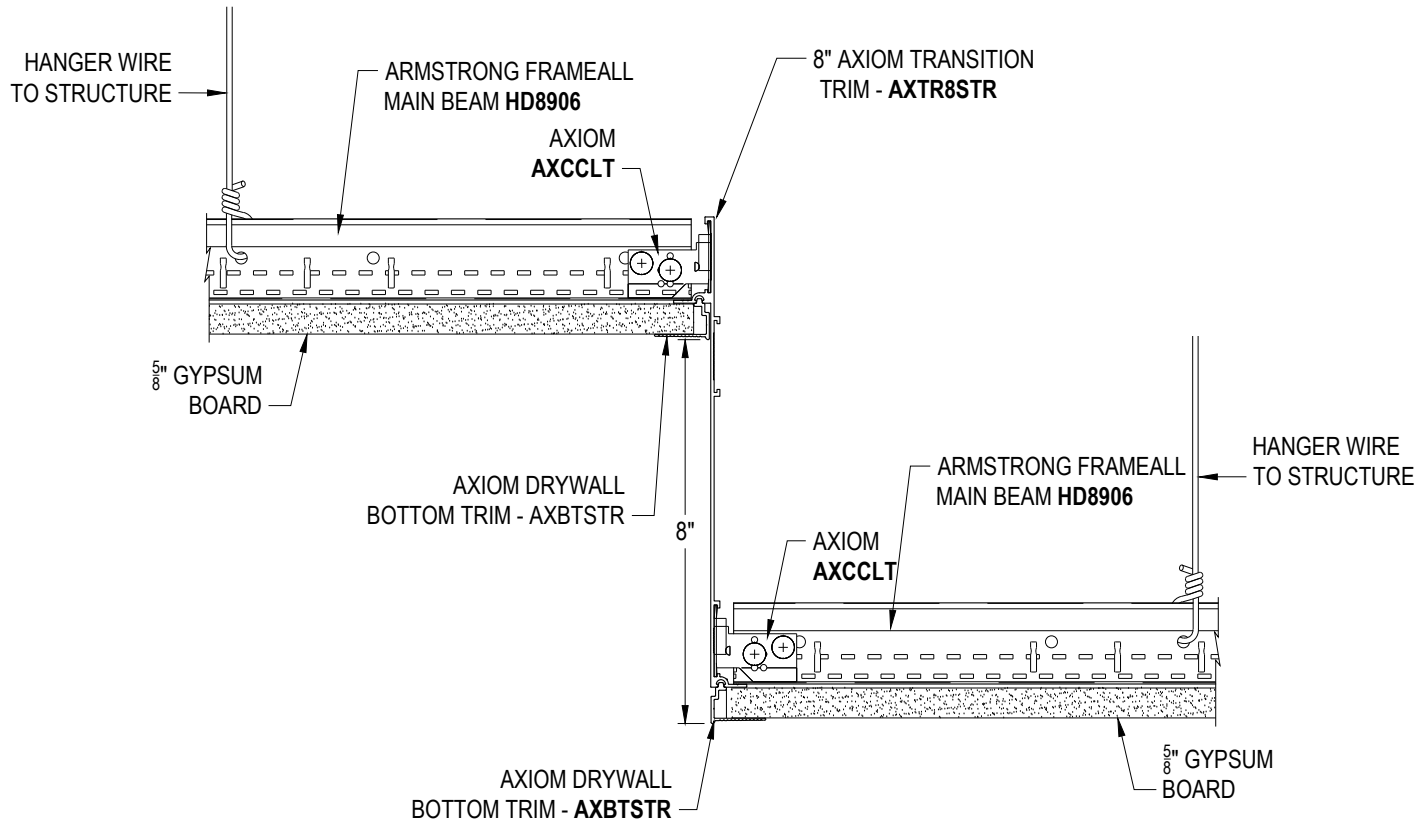
DD-13
**6" AXIOM TRANSITION ACT TO ACT
AXTR6STR/CUR**

These drawings show typical conditions in which the Armstrong product depicted is installed. They are not a substitute for an architect's or engineer's plan and do not reflect the unique requirements of local building codes, laws, statutes, ordinances, rules and regulations (Legal Requirements) that may be applicable for a particular installation.

Armstrong does not warrant, and assumes no liability for the accuracy or completeness of the drawings for a particular installation or their fitness for a particular purpose. The user is advised to consult with a duly licensed architect or engineer in the particular locale of the installation to assure compliance with all Legal Requirements.

Armstrong is not licensed to provide professional architecture or engineering design services.

| | | | |
|---|------------------------|-----------|---------|
| PROJECT NAME: AXIOM TRANSITIONS MASTER SHEET | | | |
| 6" AXIOM TRANSITION ACT TO ACT AXTR6STR/CUR | | | |
| DWG. NO. A-A003-DD-13 | | REV: . | DATE: . |
| DATE: 1/10/25 | SCALE: 3"=1'-0" | DESC.: . | |
| DRAWN BY: DAG | | CHK BY: . | |



DD-14 **8" AXIOM TRANSITION DRYWALL TO DRYWALL
AXTR8STR/CUR**

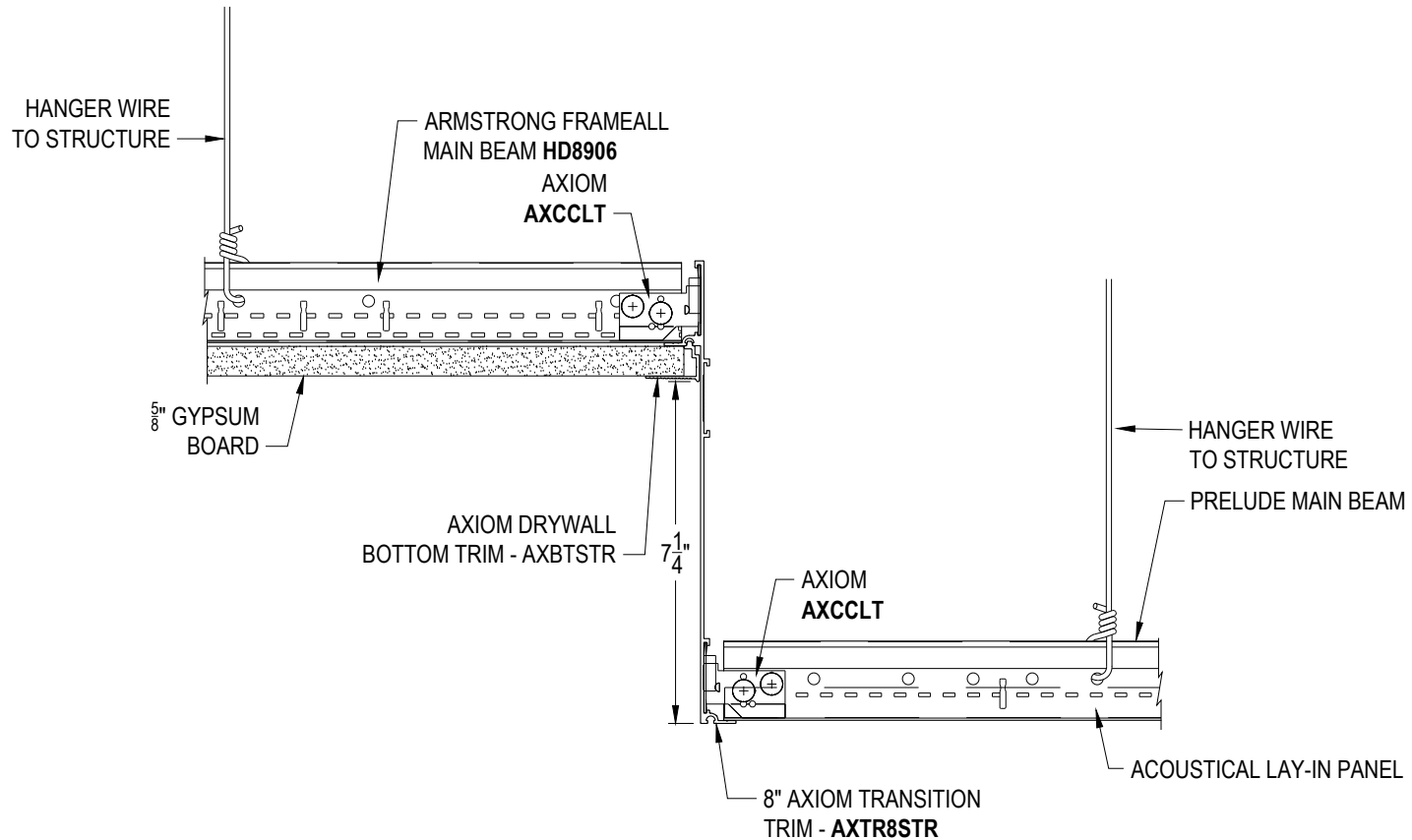
These drawings show typical conditions in which the Armstrong product depicted is installed. They are not a substitute for an architect's or engineer's plan and do not reflect the unique requirements of local building codes, laws, statutes, ordinances, rules and regulations (Legal Requirements) that may be applicable for a particular installation.

Armstrong does not warrant, and assumes no liability for the accuracy or completeness of the drawings for a particular installation or their fitness for a particular purpose. The user is advised to consult with a duly licensed architect or engineer in the particular locale of the installation to assure compliance with all Legal Requirements.

Armstrong is not licensed to provide professional architecture or engineering design services.

PROJECT NAME: **AXIOM TRANSITIONS MASTER SHEET
8" AXIOM TRANSITION DRYWALL TO DRYWALL AXTR8STR/CUR**

| | | | |
|------------------------------|------------------------|----------|---------|
| DWG. NO. A-A003-DD-14 | | REV: . | DATE: . |
| DATE: 1/10/25 | SCALE: 3"=1'-0" | DESC.: . | |
| DRAWN BY: DAG | CHK BY: . | | |



DD-15 7-1/4" AXIOM TRANSITION DRYWALL TO ACT AXTR8STR/CUR

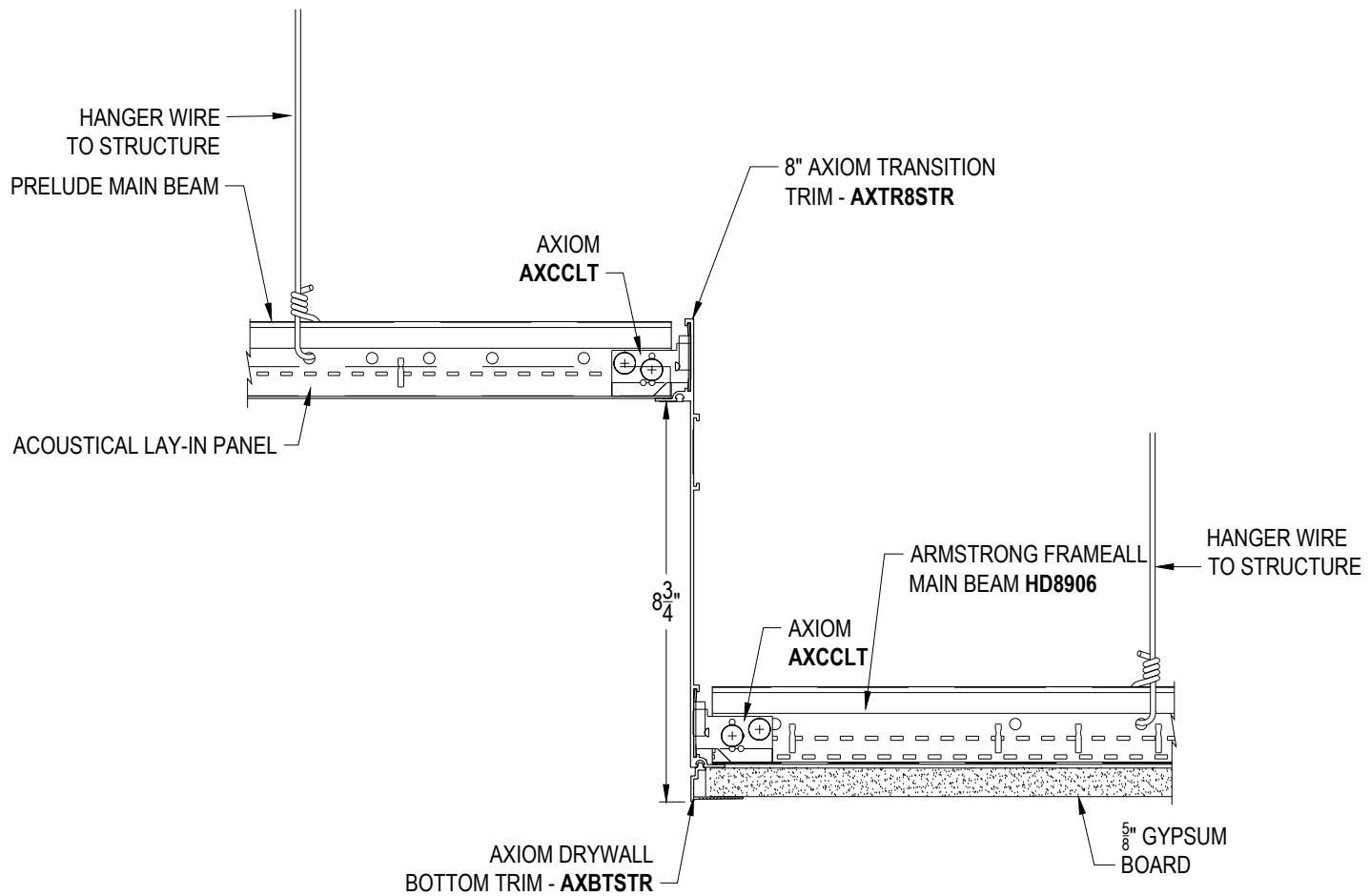
These drawings show typical conditions in which the Armstrong product depicted is installed. They are not a substitute for an architect's or engineer's plan and do not reflect the unique requirements of local building codes, laws, statutes, ordinances, rules and regulations (Legal Requirements) that may be applicable for a particular installation.

Armstrong does not warrant, and assumes no liability for the accuracy or completeness of the drawings for a particular installation or their fitness for a particular purpose. The user is advised to consult with a duly licensed architect or engineer in the particular locale of the installation to assure compliance with all Legal Requirements.

Armstrong is not licensed to provide professional architecture or engineering design services.

PROJECT NAME: **AXIOM TRANSITIONS MASTER SHEET**
7-1/4" AXIOM TRANSITION DRYWALL TO ACT AXTR8STR/CUR

| | | | |
|------------------------------|------------------------|----------|---------|
| DWG. NO. A-A003-DD-15 | | REV: . | DATE: . |
| DATE: 1/10/25 | SCALE: 3"=1'-0" | DESC.: . | |
| DRAWN BY: DAG | CHK BY: . | | |



DD-16 8-3/4" AXIOM TRANSITION ACT TO DRYWALL
AXTR8STR/CUR

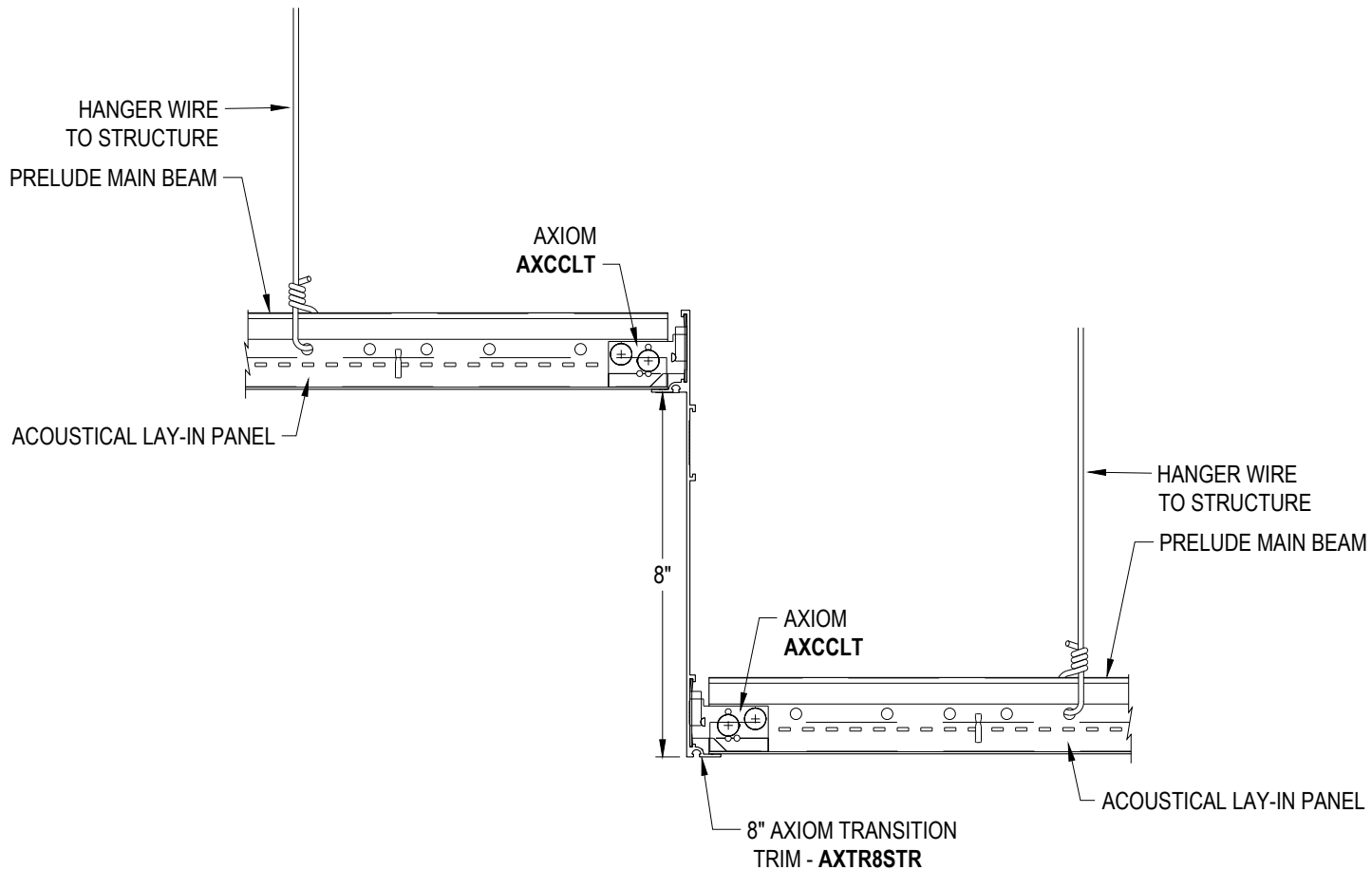
These drawings show typical conditions in which the Armstrong product depicted is installed. They are not a substitute for an architect's or engineer's plan and do not reflect the unique requirements of local building codes, laws, statutes, ordinances, rules and regulations (Legal Requirements) that may be applicable for a particular installation.

Armstrong does not warrant, and assumes no liability for the accuracy or completeness of the drawings for a particular installation or their fitness for a particular purpose. The user is advised to consult with a duly licensed architect or engineer in the particular locale of the installation to assure compliance with all Legal Requirements.

Armstrong is not licensed to provide professional architecture or engineering design services.

PROJECT NAME: AXIOM TRANSITIONS MASTER SHEET
8-3/4" AXIOM TRANSITION ACT TO DRYWALL AXTR8STR/CUR

| | | | |
|-----------------------|-----------------|----------|---------|
| DWG. NO. A-A003-DD-16 | | REV: . | DATE: . |
| DATE: 1/10/25 | SCALE: 3"=1'-0" | DESC.: . | |
| DRAWN BY: DAG | CHK BY: . | | |



DD-17 8" AXIOM TRANSITION ACT TO ACT
AXTR8STR/CUR

These drawings show typical conditions in which the Armstrong product depicted is installed. They are not a substitute for an architect's or engineer's plan and do not reflect the unique requirements of local building codes, laws, statutes, ordinances, rules and regulations (Legal Requirements) that may be applicable for a particular installation.

Armstrong does not warrant, and assumes no liability for the accuracy or completeness of the drawings for a particular installation or their fitness for a particular purpose. The user is advised to consult with a duly licensed architect or engineer in the particular locale of the installation to assure compliance with all Legal Requirements.

Armstrong is not licensed to provide professional architecture or engineering design services.

PROJECT NAME: **AXIOM TRANSITIONS MASTER SHEET**
8" AXIOM TRANSITION ACT TO ACT AXTR8STR/CUR

DWG. NO. **A-A003-DD-17**

REV: . DATE: .

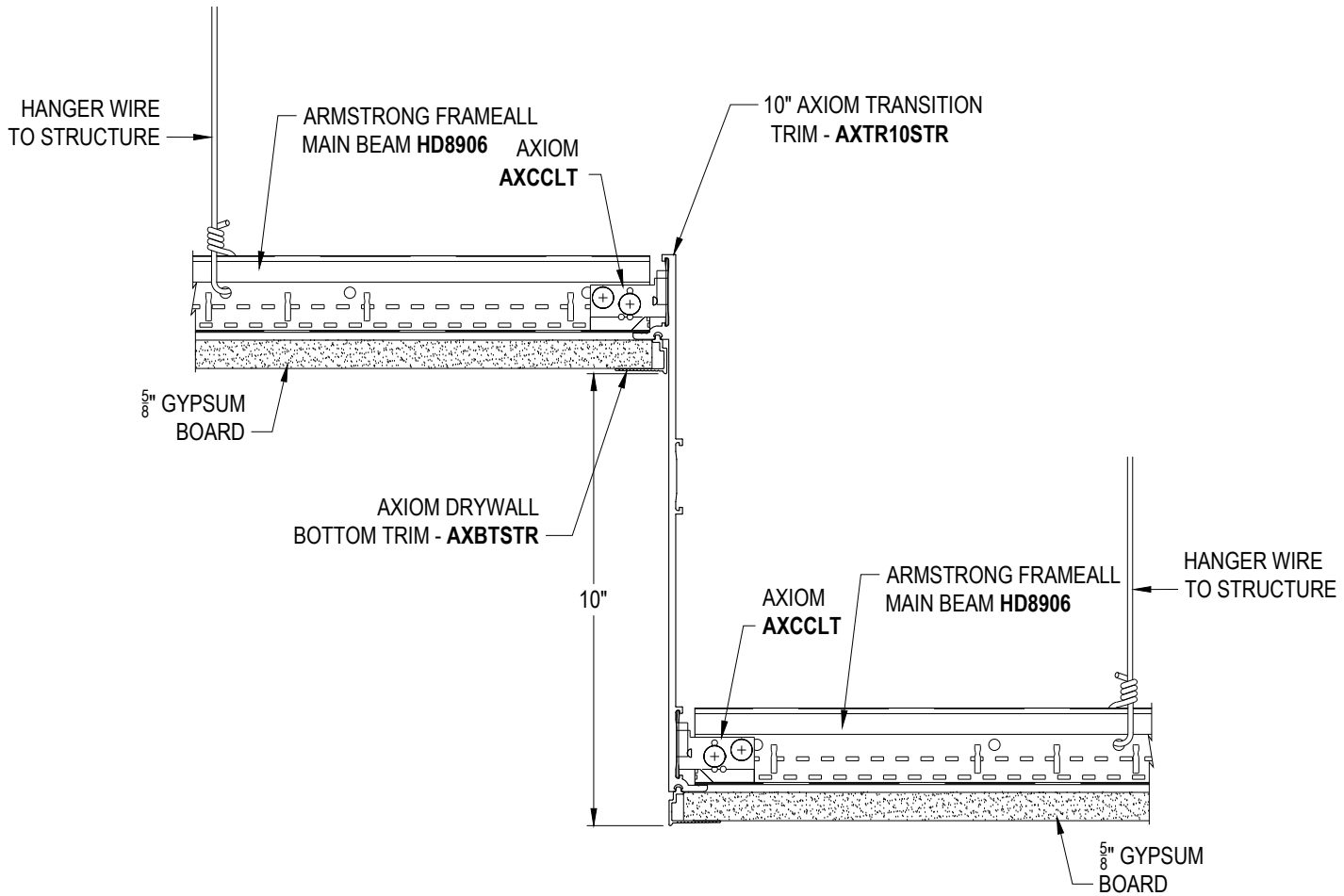
DATE: **1/10/25**

SCALE: **3"=1'-0"**

DESC.: .

DRAWN BY: **DAG**

CHK BY: .



DD-18 10" AXIOM TRANSITION DRYWALL TO DRYWALL
AXTR10STR/CUR

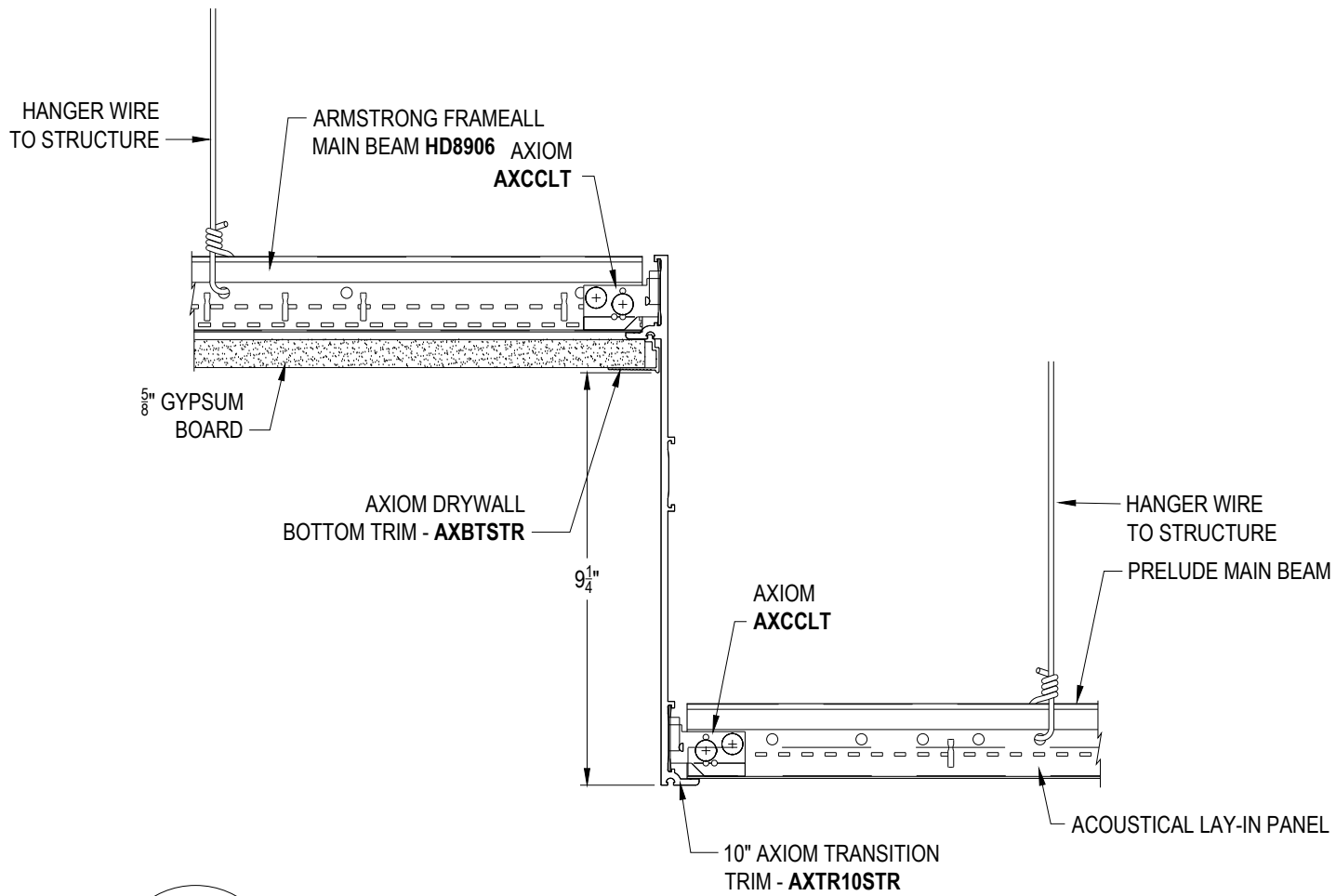
These drawings show typical conditions in which the Armstrong product depicted is installed. They are not a substitute for an architect's or engineer's plan and do not reflect the unique requirements of local building codes, laws, statutes, ordinances, rules and regulations (Legal Requirements) that may be applicable for a particular installation.

Armstrong does not warrant, and assumes no liability for the accuracy or completeness of the drawings for a particular installation or their fitness for a particular purpose. The user is advised to consult with a duly licensed architect or engineer in the particular locale of the installation to assure compliance with all Legal Requirements.

Armstrong is not licensed to provide professional architecture or engineering design services.

PROJECT NAME: AXIOM TRANSITIONS MASTER SHEET
10" AXIOM TRANSITION DRYWALL TO DRYWALL AXTR10STR/CUR

| | | | |
|-----------------------|-----------------|----------|---------|
| DWG. NO. A-A003-DD-18 | | REV: . | DATE: . |
| DATE: 1/10/25 | SCALE: 3"=1'-0" | DESC.: . | |
| DRAWN BY: DAG | CHK BY: . | | |



DD-19 **9-1/4" AXIOM TRANSITION DRYWALL TO ACT AXTR10STR/CUR**

These drawings show typical conditions in which the Armstrong product depicted is installed. They are not a substitute for an architect's or engineer's plan and do not reflect the unique requirements of local building codes, laws, statutes, ordinances, rules and regulations (Legal Requirements) that may be applicable for a particular installation.

Armstrong does not warrant, and assumes no liability for the accuracy or completeness of the drawings for a particular installation or their fitness for a particular purpose. The user is advised to consult with a duly licensed architect or engineer in the particular locale of the installation to assure compliance with all Legal Requirements.

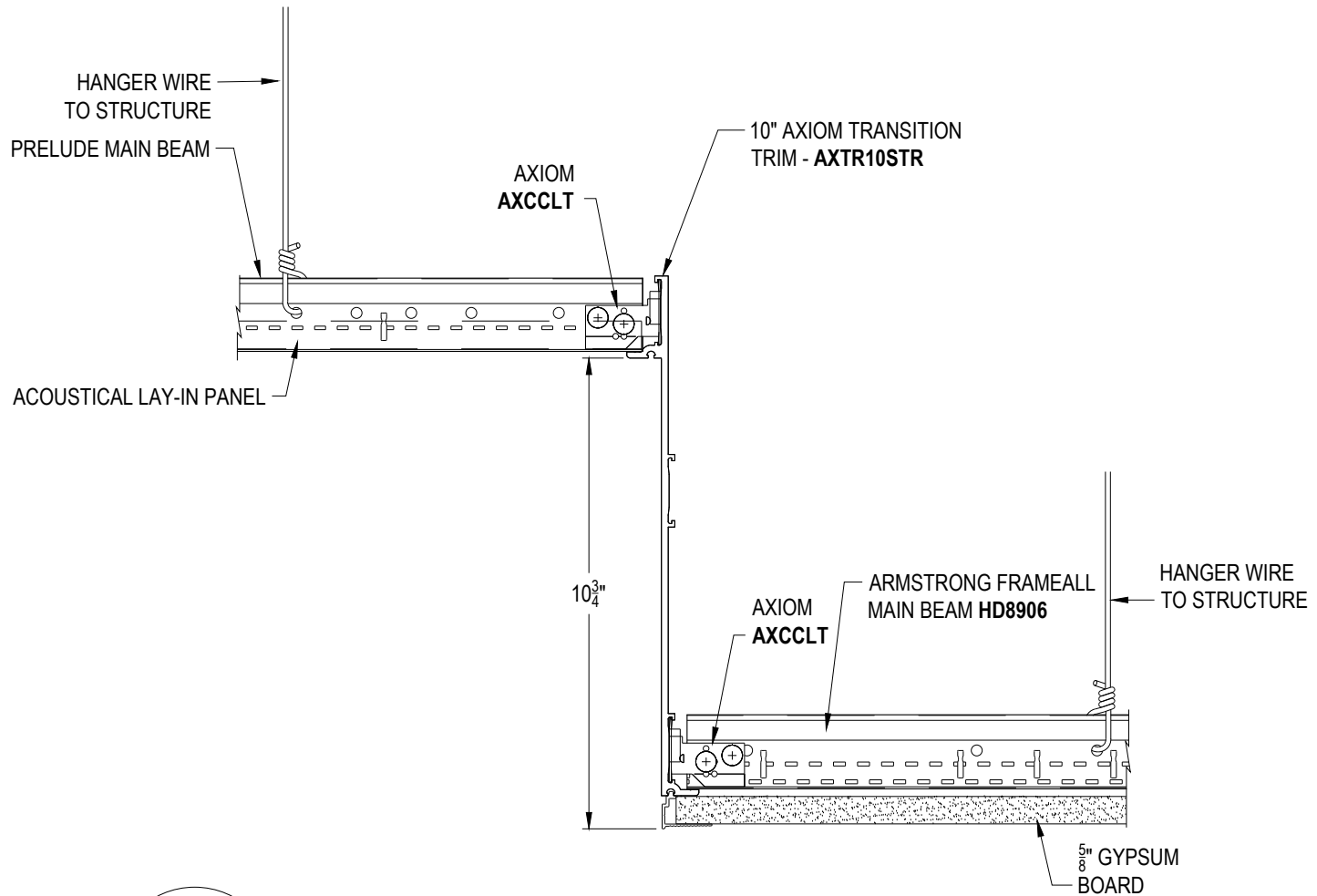
Armstrong is not licensed to provide professional architecture or engineering design services.

| | | | |
|--|------------------------|--------|----------|
| PROJECT NAME: AXIOM TRANSITIONS MASTER SHEET | | | |
| 9-1/4" AXIOM TRANSITION DRYWALL TO ACT AXTR10STR/CUR | | | |
| DWG. NO. A-A003-DD-19 | | REV: . | DATE: . |
| DATE: 1/10/25 | SCALE: 3"=1'-0" | | DESC.: . |
| DRAWN BY: DAG | CHK BY: . | | |



CEILING & WALL SOLUTIONS * ARMSTRONG WORLD INDUSTRIES, INC. * Lancaster, PA * Phone: 877-ARMSTRONG





DD-20 10-3/4" AXIOM TRANSITION ACT TO DRYWALL
 AXTR10STR/CUR

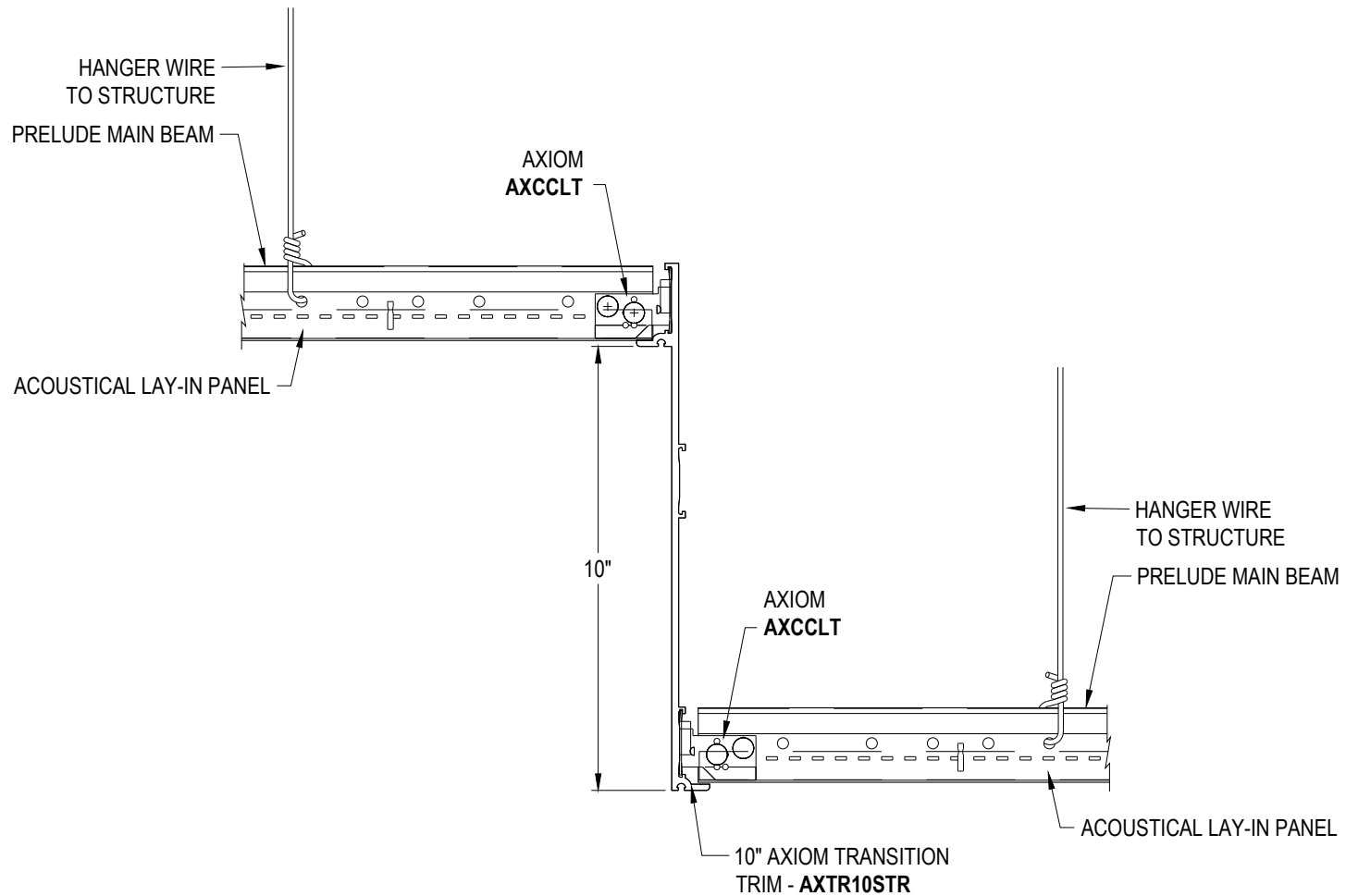
These drawings show typical conditions in which the Armstrong product depicted is installed. They are not a substitute for an architect's or engineer's plan and do not reflect the unique requirements of local building codes, laws, statutes, ordinances, rules and regulations (Legal Requirements) that may be applicable for a particular installation.

Armstrong does not warrant, and assumes no liability for the accuracy or completeness of the drawings for a particular installation or their fitness for a particular purpose. The user is advised to consult with a duly licensed architect or engineer in the particular locale of the installation to assure compliance with all Legal Requirements.

Armstrong is not licensed to provide professional architecture or engineering design services.

PROJECT NAME: **AXIOM TRANSITIONS MASTER SHEET**
10-3/4" AXIOM TRANSITION ACT TO DRYWALL AXTR10STR/CUR

| | | | |
|------------------------------|------------------------|----------|---------|
| DWG. NO. A-A003-DD-20 | | REV: . | DATE: . |
| DATE: 1/10/25 | SCALE: 3"=1'-0" | DESC.: . | |
| DRAWN BY: DAG | CHK BY: . | | |



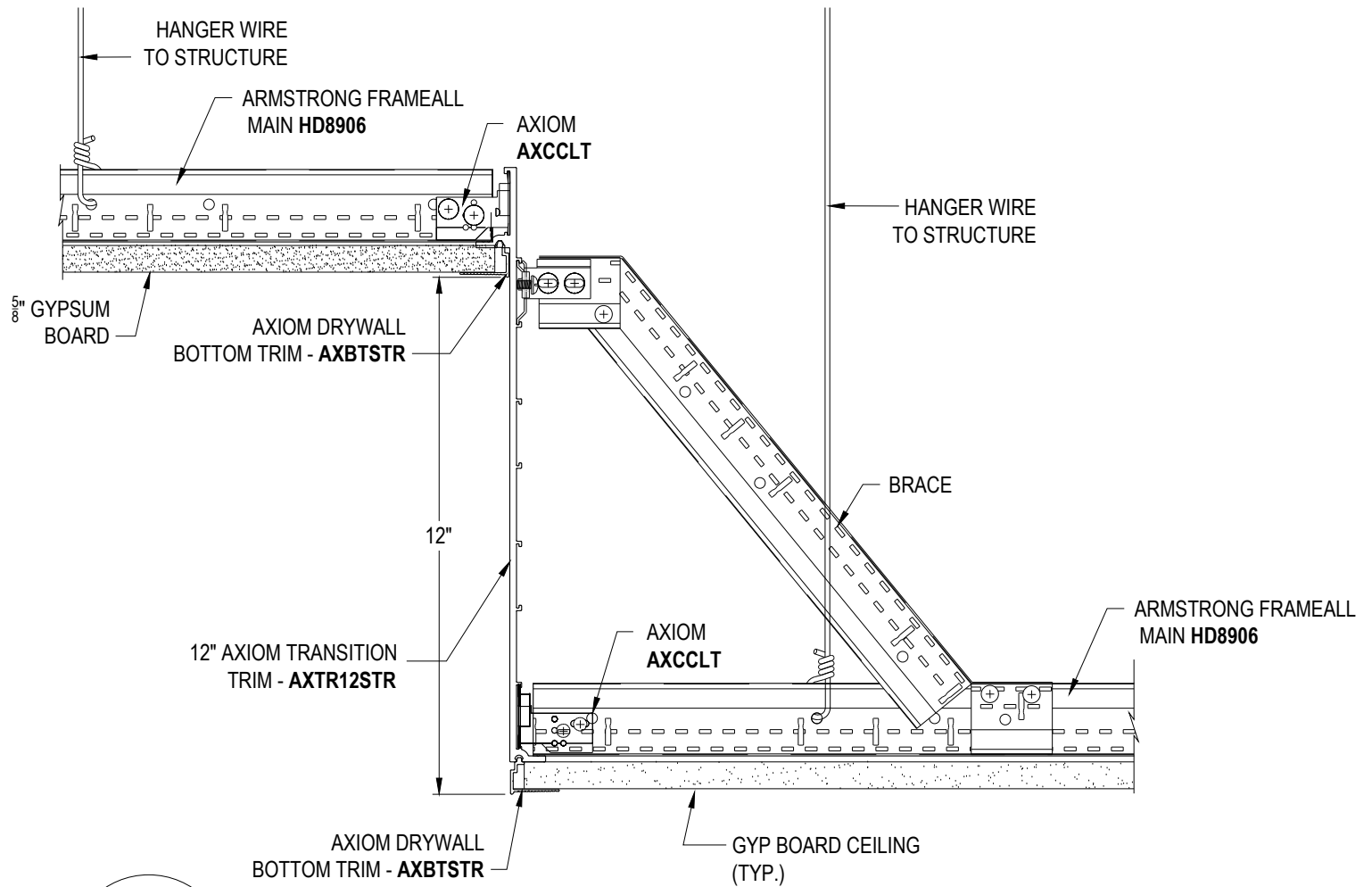
DD-21 **10" AXIOM TRANSITION ACT TO ACT
AXTR10STR/CUR**

These drawings show typical conditions in which the Armstrong product depicted is installed. They are not a substitute for an architect's or engineer's plan and do not reflect the unique requirements of local building codes, laws, statutes, ordinances, rules and regulations (Legal Requirements) that may be applicable for a particular installation.

Armstrong does not warrant, and assumes no liability for the accuracy or completeness of the drawings for a particular installation or their fitness for a particular purpose. The user is advised to consult with a duly licensed architect or engineer in the particular locale of the installation to assure compliance with all Legal Requirements.

Armstrong is not licensed to provide professional architecture or engineering design services.

| | | | |
|---|------------------------|----------|---------|
| PROJECT NAME: AXIOM TRANSITIONS MASTER SHEET | | | |
| 10" AXIOM TRANSITION ACT TO ACT AXTR10STR/CUR | | | |
| DWG. NO. A-A003-DD-21 | | REV: . | DATE: . |
| DATE: 1/10/25 | SCALE: 3"=1'-0" | DESC.: . | |
| DRAWN BY: DAG | CHK BY: . | | |



DD-22 **12" AXIOM TRANSITION DRYWALL TO DRYWALL**
AXTR12STR/CUR

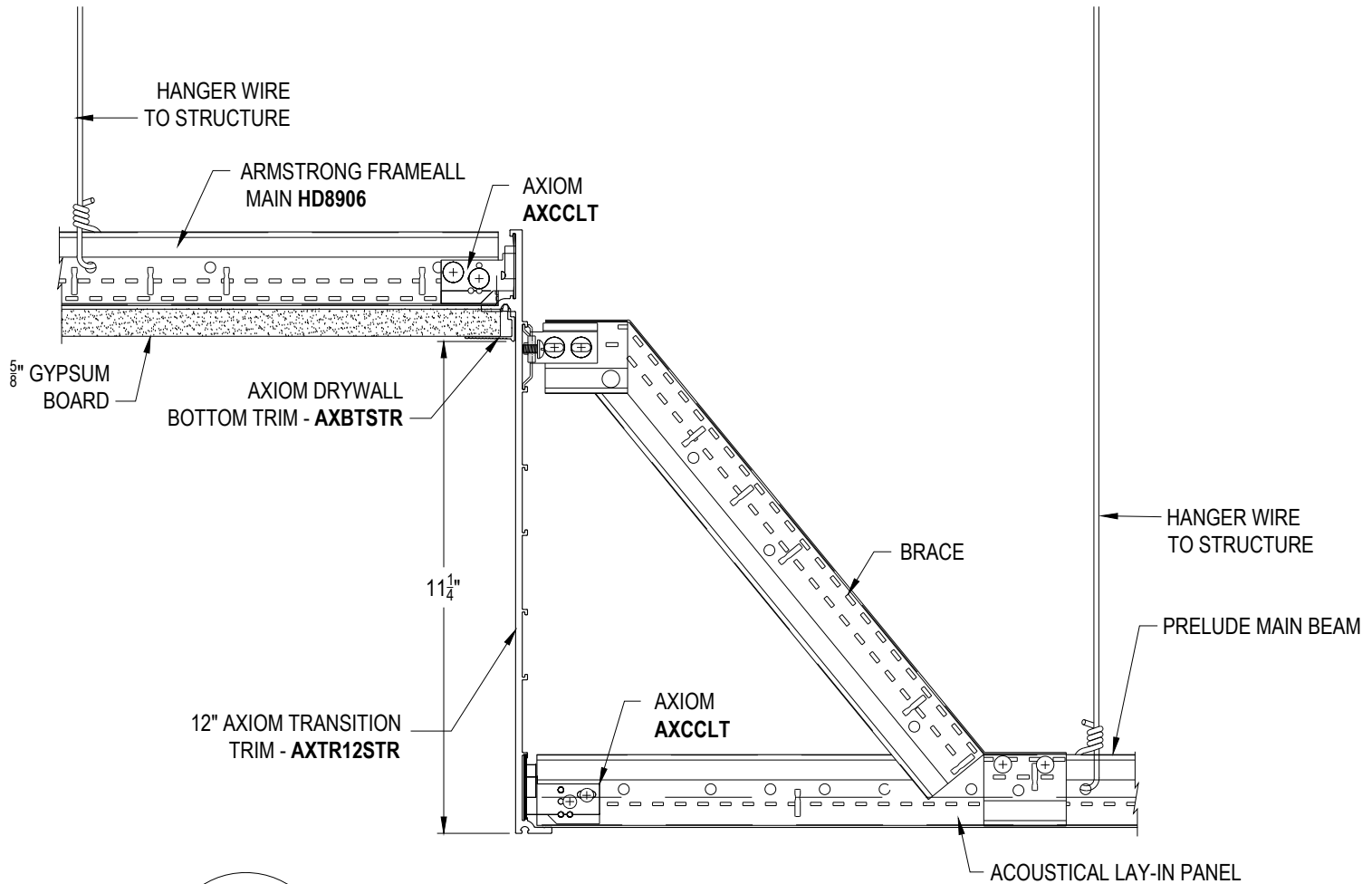
These drawings show typical conditions in which the Armstrong product depicted is installed. They are not a substitute for an architect's or engineer's plan and do not reflect the unique requirements of local building codes, laws, statutes, ordinances, rules and regulations (Legal Requirements) that may be applicable for a particular installation.

Armstrong does not warrant, and assumes no liability for the accuracy or completeness of the drawings for a particular installation or their fitness for a particular purpose. The user is advised to consult with a duly licensed architect or engineer in the particular locale of the installation to assure compliance with all Legal Requirements.

Armstrong is not licensed to provide professional architecture or engineering design services.

PROJECT NAME: **AXIOM TRANSITIONS MASTER SHEET**
12" AXIOM TRANSITION DRYWALL TO DRYWALL AXTR12STR/CUR

| | | | |
|------------------------------|------------------------|-----------|---------|
| DWG. NO. A-A003-DD-22 | | REV: . | DATE: . |
| DATE: 1/10/25 | SCALE: 3"=1'-0" | DESC.: . | |
| DRAWN BY: DAG | | CHK BY: . | |



DD-23 **11-1/4" AXIOM TRANSITION DRYWALL TO ACT AXTR12STR/CUR**

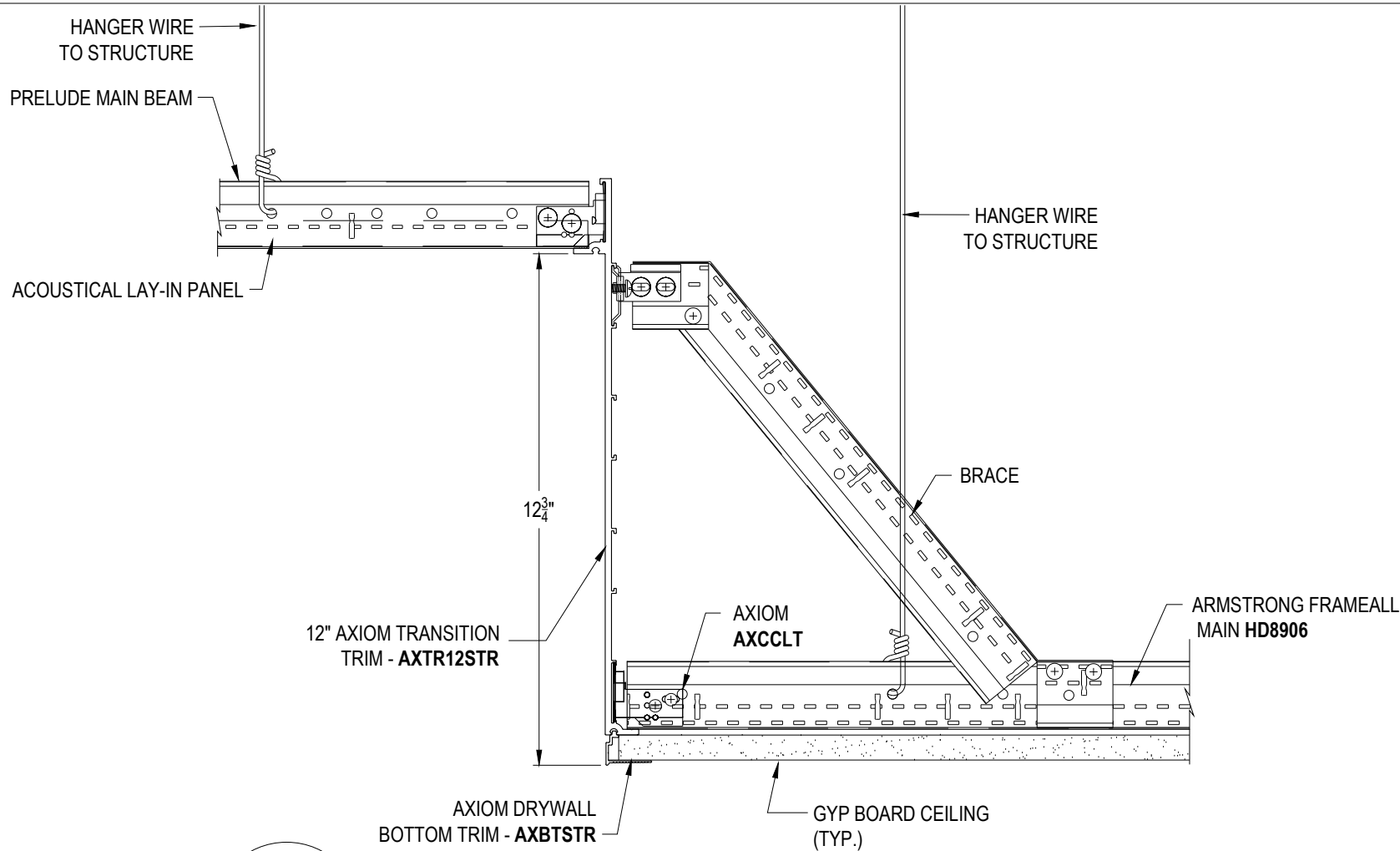
These drawings show typical conditions in which the Armstrong product depicted is installed. They are not a substitute for an architect's or engineer's plan and do not reflect the unique requirements of local building codes, laws, statutes, ordinances, rules and regulations (Legal Requirements) that may be applicable for a particular installation.

Armstrong does not warrant, and assumes no liability for the accuracy or completeness of the drawings for a particular installation or their fitness for a particular purpose. The user is advised to consult with a duly licensed architect or engineer in the particular locale of the installation to assure compliance with all Legal Requirements.

Armstrong is not licensed to provide professional architecture or engineering design services.

PROJECT NAME: **AXIOM TRANSITIONS MASTER SHEET**
11-1/4" AXIOM TRANSITION DRYWALL TO ACT AXTR12STR/CUR

| | | | |
|------------------------------|------------------------|----------|---------|
| DWG. NO. A-A003-DD-23 | | REV: . | DATE: . |
| DATE: 1/10/25 | SCALE: 3"=1'-0" | DESC.: . | |
| DRAWN BY: DAG | CHK BY: . | | |



DD-24

12-3/4" AXIOM TRANSITION ACT TO DRYWALL AXTR12STR/CUR

These drawings show typical conditions in which the Armstrong product depicted is installed. They are not a substitute for an architect's or engineer's plan and do not reflect the unique requirements of local building codes, laws, statutes, ordinances, rules and regulations (Legal Requirements) that may be applicable for a particular installation.

Armstrong does not warrant, and assumes no liability for the accuracy or completeness of the drawings for a particular installation or their fitness for a particular purpose. The user is advised to consult with a duly licensed architect or engineer in the particular locale of the installation to assure compliance with all Legal Requirements.

Armstrong is not licensed to provide professional architecture or engineering design services.

PROJECT NAME: **AXIOM TRANSITIONS MASTER SHEET**
12-3/4" AXIOM TRANSITION ACT TO DRYWALL AXTR12STR/CUR

DWG. NO. **A-A003-DD-24**

REV: . DATE: .

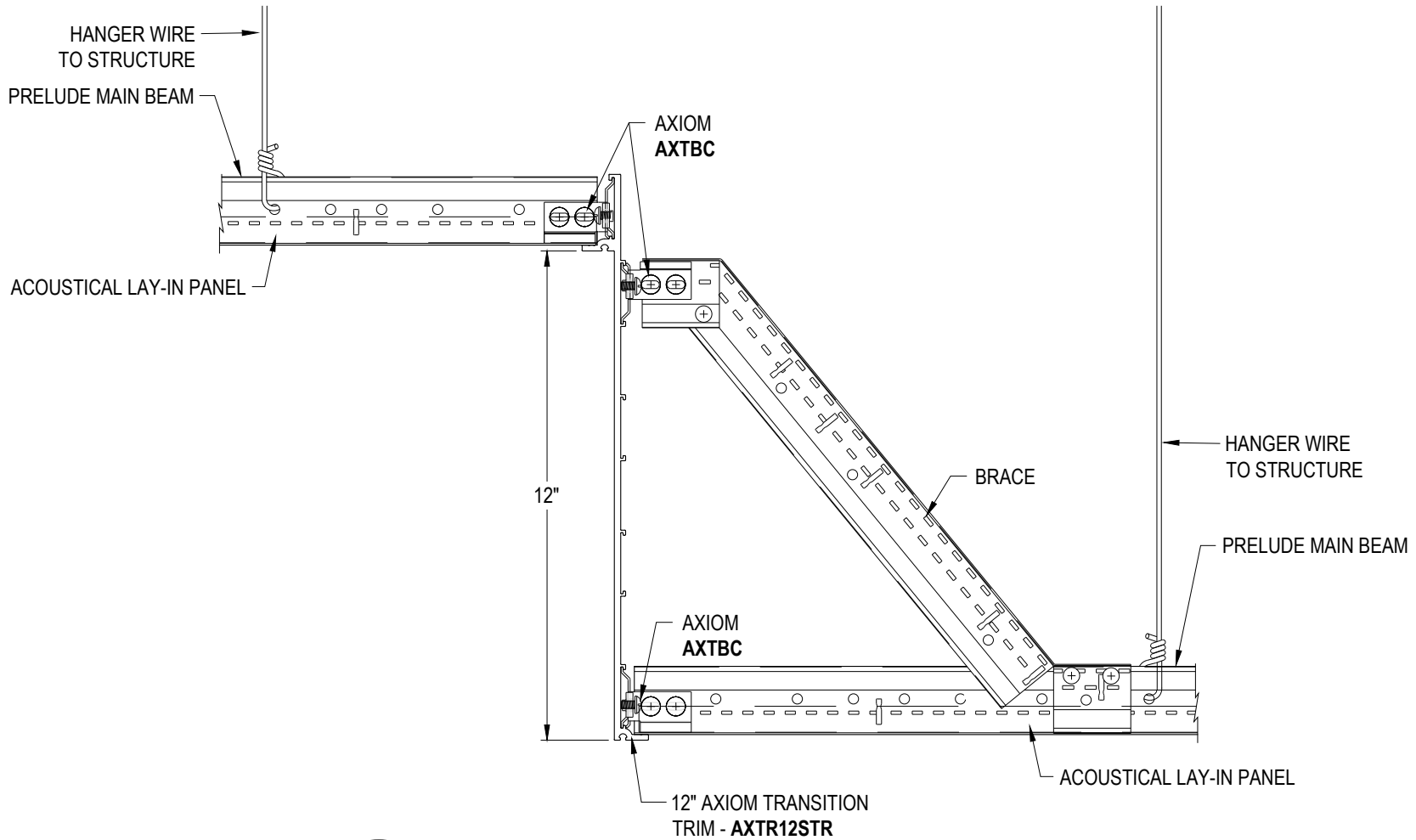
DATE: **1/10/25**

SCALE: **3"=1'-0"**

DESC.: .

DRAWN BY: **DAG**

CHK BY: .



DD-25 **12" AXIOM TRANSITION ACT TO ACT
AXTR12STR/CUR**

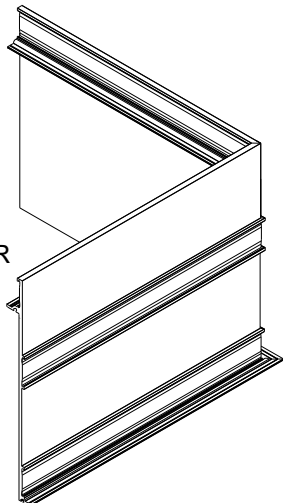
These drawings show typical conditions in which the Armstrong product depicted is installed. They are not a substitute for an architect's or engineer's plan and do not reflect the unique requirements of local building codes, laws, statutes, ordinances, rules and regulations (Legal Requirements) that may be applicable for a particular installation.

Armstrong does not warrant, and assumes no liability for the accuracy or completeness of the drawings for a particular installation or their fitness for a particular purpose. The user is advised to consult with a duly licensed architect or engineer in the particular locale of the installation to assure compliance with all Legal Requirements.

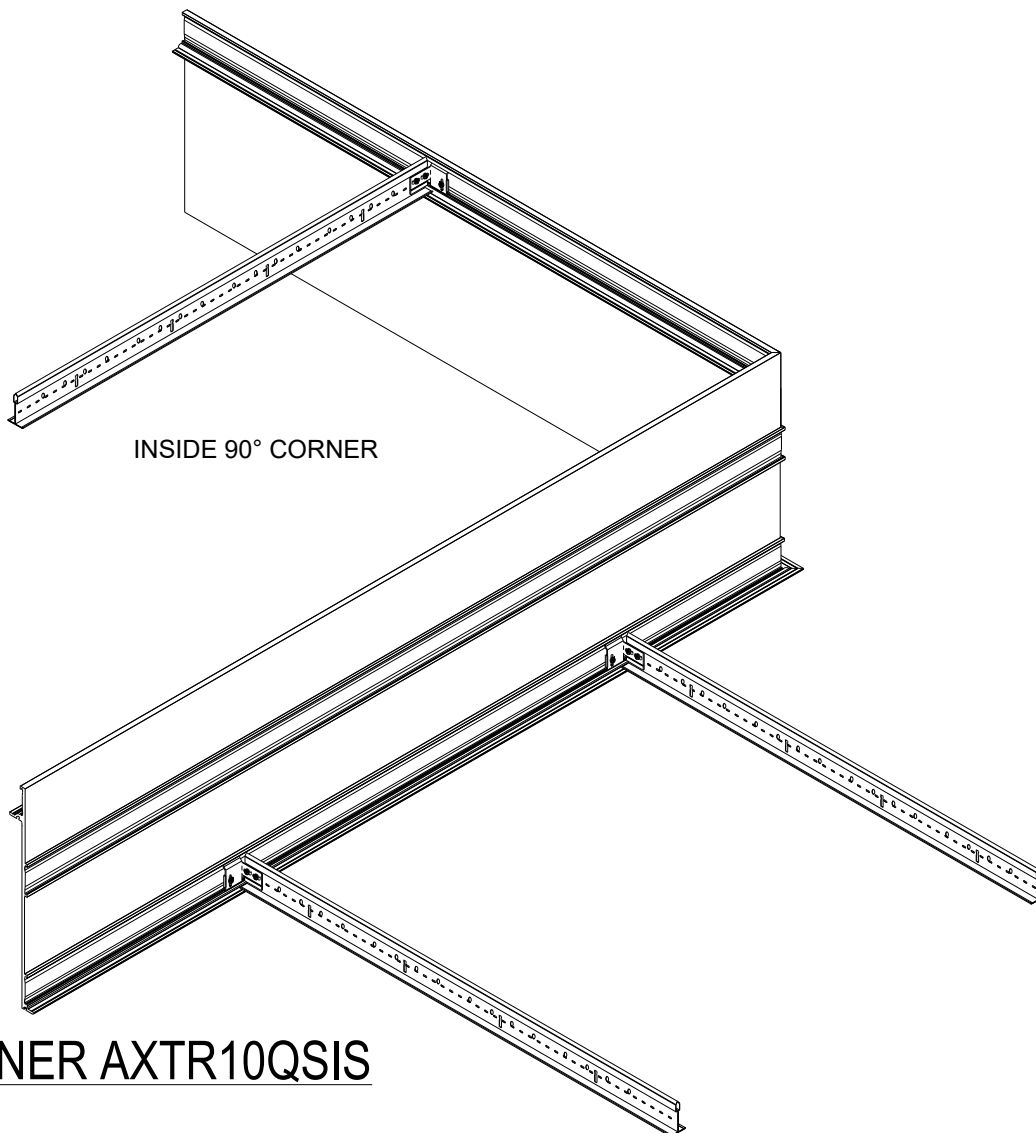
Armstrong is not licensed to provide professional architecture or engineering design services.

| | | | |
|---|------------------------|----------|---------|
| PROJECT NAME: AXIOM TRANSITIONS MASTER SHEET | | | |
| 12" AXIOM TRANSITION ACT TO ACT AXTR12STR/CUR | | | |
| DWG. NO. A-A003-DD-25 | | REV: . | DATE: . |
| DATE: 1/10/25 | SCALE: 3"=1'-0" | DESC.: . | |
| DRAWN BY: DAG | CHK BY: . | | |

INSIDE 90° AXTR10Q SIS CORNER



INSIDE 90° CORNER



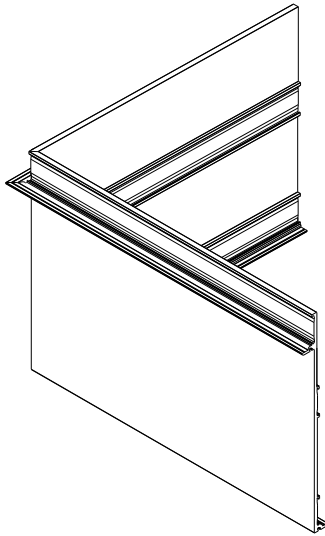
DD-26 INSIDE 90° CORNER AXTR10Q SIS

These drawings show typical conditions in which the Armstrong product depicted is installed. They are not a substitute for an architect's or engineer's plan and do not reflect the unique requirements of local building codes, laws, statutes, ordinances, rules and regulations (Legal Requirements) that may be applicable for a particular installation.

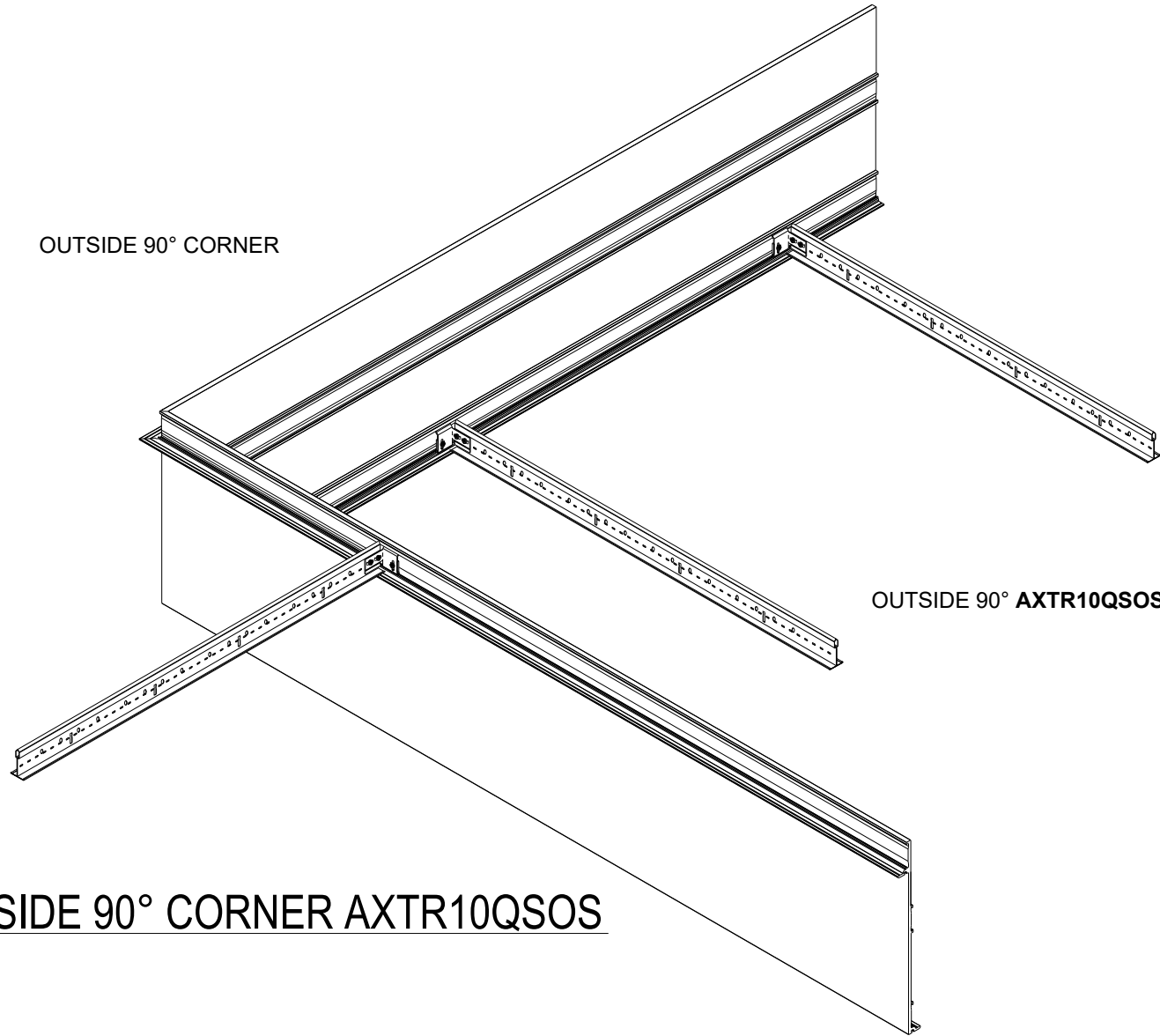
Armstrong does not warrant, and assumes no liability for the accuracy or completeness of the drawings for a particular installation or their fitness for a particular purpose. The user is advised to consult with a duly licensed architect or engineer in the particular locale of the installation to assure compliance with all Legal Requirements.

Armstrong is not licensed to provide professional architecture or engineering design services.

| | | | |
|---|----------------------|------------------------------|----------------------------|
| PROJECT NAME: AXIOM TRANSITIONS MASTER SHEET | | REV: . | DATE: . |
| INSIDE 90° CORNER AXTR10Q SIS | | DWG. NO. A-A003-DD-26 | SCALE: 1-1/2"=1'-0" |
| DATE: 1/10/25 | DRAWN BY: DAG | DESC.: . | CHK BY: . |



OUTSIDE 90° CORNER



OUTSIDE 90° AXTR10QSOS CORNER

DD-27 OUTSIDE 90° CORNER AXTR10QSOS

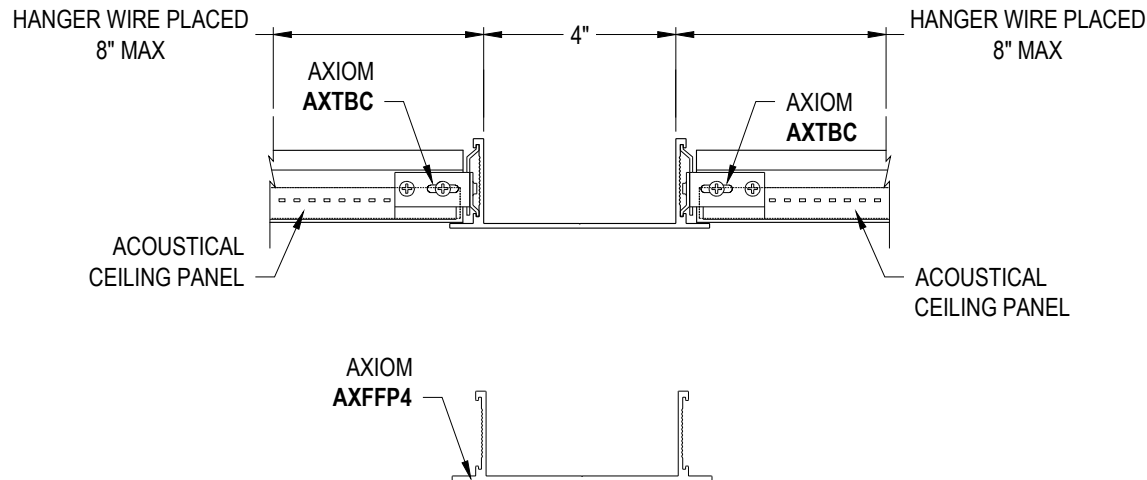
These drawings show typical conditions in which the Armstrong product depicted is installed. They are not a substitute for an architect's or engineer's plan and do not reflect the unique requirements of local building codes, laws, statutes, ordinances, rules and regulations (Legal Requirements) that may be applicable for a particular installation.

Armstrong does not warrant, and assumes no liability for the accuracy or completeness of the drawings for a particular installation or their fitness for a particular purpose. The user is advised to consult with a duly licensed architect or engineer in the particular locale of the installation to assure compliance with all Legal Requirements.

Armstrong is not licensed to provide professional architecture or engineering design services.

| | | | |
|---|----------------------|------------------------------|----------------------------|
| PROJECT NAME: AXIOM TRANSITIONS MASTER SHEET | | REV: . | DATE: . |
| OUTSIDE 90° CORNER AXTR10QSOS | | DWG. NO. A-A003-DD-27 | SCALE: 1-1/2"=1'-0" |
| DATE: 1/10/25 | DRAWN BY: DAG | DESC.: . | CHK BY: . |





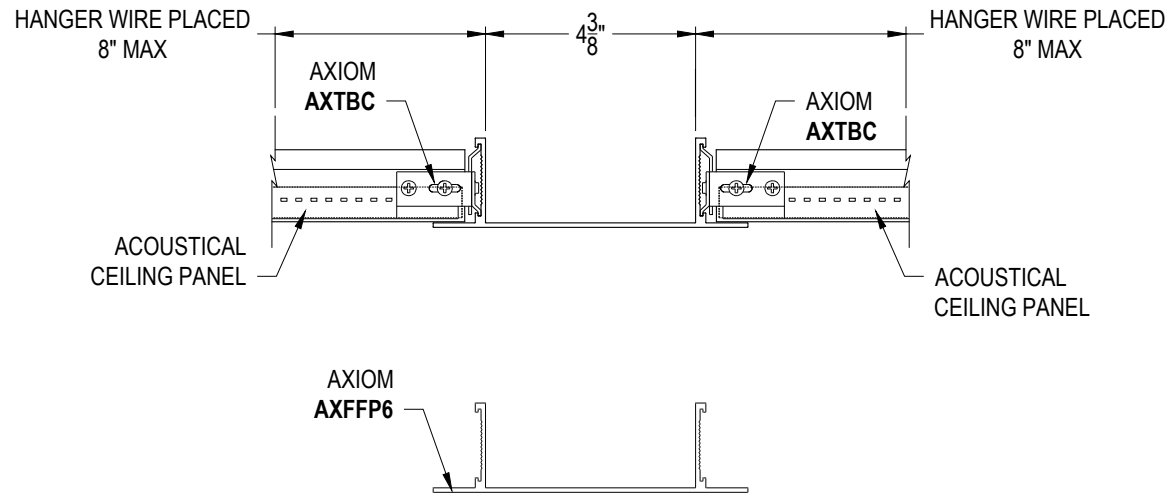
DD-28 AXIOM 4" FIELD FACE PLATE
AXFFP4

These drawings show typical conditions in which the Armstrong product depicted is installed. They are not a substitute for an architect's or engineer's plan and do not reflect the unique requirements of local building codes, laws, statutes, ordinances, rules and regulations (Legal Requirements) that may be applicable for a particular installation.

Armstrong does not warrant, and assumes no liability for the accuracy or completeness of the drawings for a particular installation or their fitness for a particular purpose. The user is advised to consult with a duly licensed architect or engineer in the particular locale of the installation to assure compliance with all Legal Requirements.

Armstrong is not licensed to provide professional architecture or engineering design services.

| | | | |
|---|------------------------|----------|---------|
| PROJECT NAME: AXIOM TRANSITIONS MASTER SHEET | | REV: . | DATE: . |
| AXIOM 4" FIELD FACE PLATE AXFFP4 | | | |
| DWG. NO. A-A003-DD-28 | | REV: . | DATE: . |
| DATE: 1/10/25 | SCALE: 3"=1'-0" | DESC.: . | |
| DRAWN BY: DAG | CHK BY: . | | |



DD-29 **AXIOM 6" FIELD FACE PLATE**
AXFFP6

These drawings show typical conditions in which the Armstrong product depicted is installed. They are not a substitute for an architect's or engineer's plan and do not reflect the unique requirements of local building codes, laws, statutes, ordinances, rules and regulations (Legal Requirements) that may be applicable for a particular installation.

Armstrong does not warrant, and assumes no liability for the accuracy or completeness of the drawings for a particular installation or their fitness for a particular purpose. The user is advised to consult with a duly licensed architect or engineer in the particular locale of the installation to assure compliance with all Legal Requirements.

Armstrong is not licensed to provide professional architecture or engineering design services.

PROJECT NAME: **AXIOM TRANSITIONS MASTER SHEET**
AXIOM 6" FIELD FACE PLATE AXFFP6

DWG. NO. **A-A003-DD-29**

REV: . DATE: .

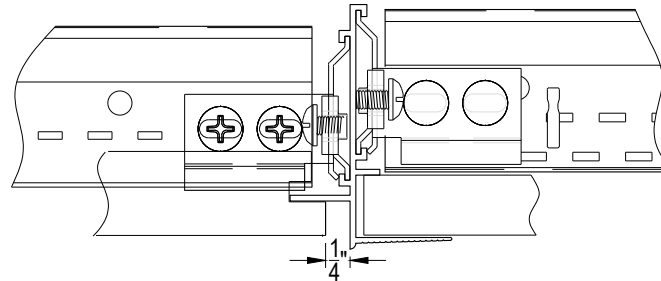
DATE: **1/10/25**

SCALE: **3"=1'-0"**

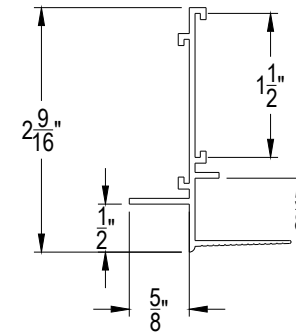
DESC.: .

DRAWN BY: **DAG**

CHK BY: .



AXTRVESTR



DD-30 AXIOM TRANSITION VECTOR TO DRYWALL
 AXTRVESTR

These drawings show typical conditions in which the Armstrong product depicted is installed. They are not a substitute for an architect's or engineer's plan and do not reflect the unique requirements of local building codes, laws, statutes, ordinances, rules and regulations (Legal Requirements) that may be applicable for a particular installation.

Armstrong does not warrant, and assumes no liability for the accuracy or completeness of the drawings for a particular installation or their fitness for a particular purpose. The user is advised to consult with a duly licensed architect or engineer in the particular locale of the installation to assure compliance with all Legal Requirements.

Armstrong is not licensed to provide professional architecture or engineering design services.

PROJECT NAME: **AXIOM TRANSITIONS MASTER SHEET**
AXIOM TRANSITION VECTOR TO DRYWALL AXTRVESTR

DWG. NO. **A-A003-DD-30**

REV: . DATE: .

DATE: **1/10/25**

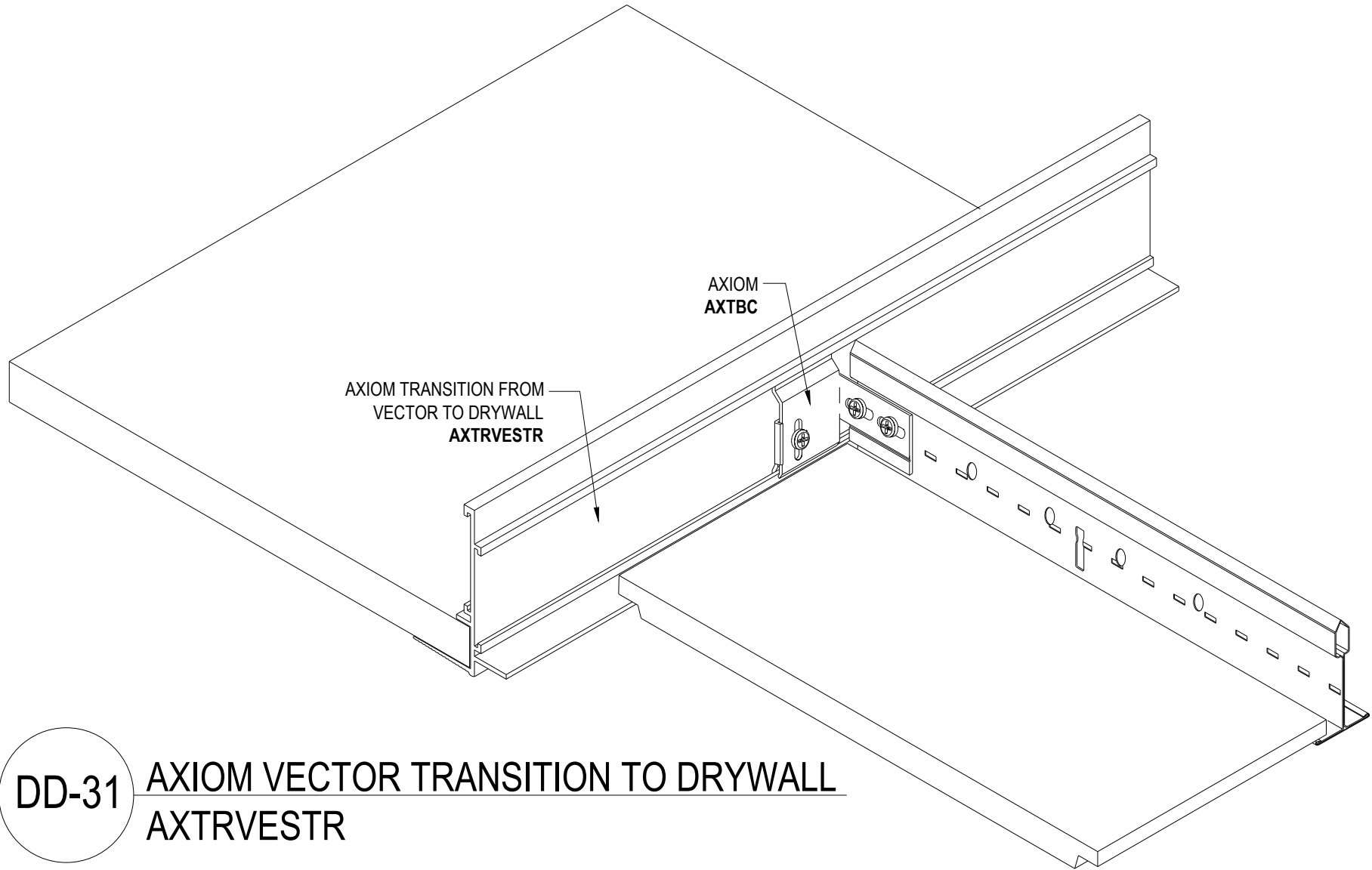
SCALE: **6"=1'-0"**

DESC.: .

DRAWN BY: **DAG**

CHK BY: .





DD-31

AXIOM VECTOR TRANSITION TO DRYWALL AXTRVESTR

These drawings show typical conditions in which the Armstrong product depicted is installed. They are not a substitute for an architect's or engineer's plan and do not reflect the unique requirements of local building codes, laws, statutes, ordinances, rules and regulations (Legal Requirements) that may be applicable for a particular installation.

Armstrong does not warrant, and assumes no liability for the accuracy or completeness of the drawings for a particular installation or their fitness for a particular purpose. The user is advised to consult with a duly licensed architect or engineer in the particular locale of the installation to assure compliance with all Legal Requirements.

Armstrong is not licensed to provide professional architecture or engineering design services.

PROJECT NAME: **AXIOM TRANSITIONS MASTER SHEET**
AXIOM VECTOR TRANSITION TO DRYWALL AXTRVESTR

DWG. NO. **A-A003-DD-31**

REV: . DATE: .

DATE: **1/10/25**

SCALE: **6"=1'-0"**

DESC.: .

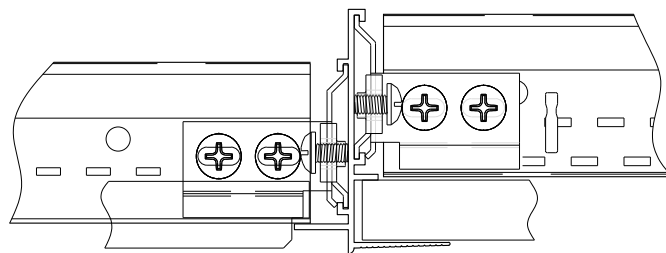
DRAWN BY: **DAG**

CHK BY: .

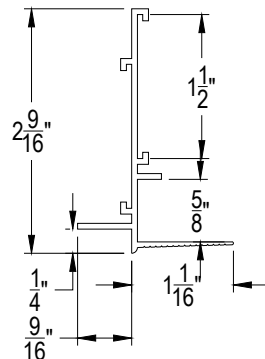
TechLine

CEILING & WALL SOLUTIONS * ARMSTRONG WORLD INDUSTRIES, INC. * Lancaster, PA * Phone: 877-ARMSTRONG

Armstrong
World Industries



AXTR7907STR / AXTR7907CUR



DD-32 AXIOM TRANSITION TEGULAR TO DRYWALL
AXTR7907STR/CUR

These drawings show typical conditions in which the Armstrong product depicted is installed. They are not a substitute for an architect's or engineer's plan and do not reflect the unique requirements of local building codes, laws, statutes, ordinances, rules and regulations (Legal Requirements) that may be applicable for a particular installation.

Armstrong does not warrant, and assumes no liability for the accuracy or completeness of the drawings for a particular installation or their fitness for a particular purpose. The user is advised to consult with a duly licensed architect or engineer in the particular locale of the installation to assure compliance with all Legal Requirements.

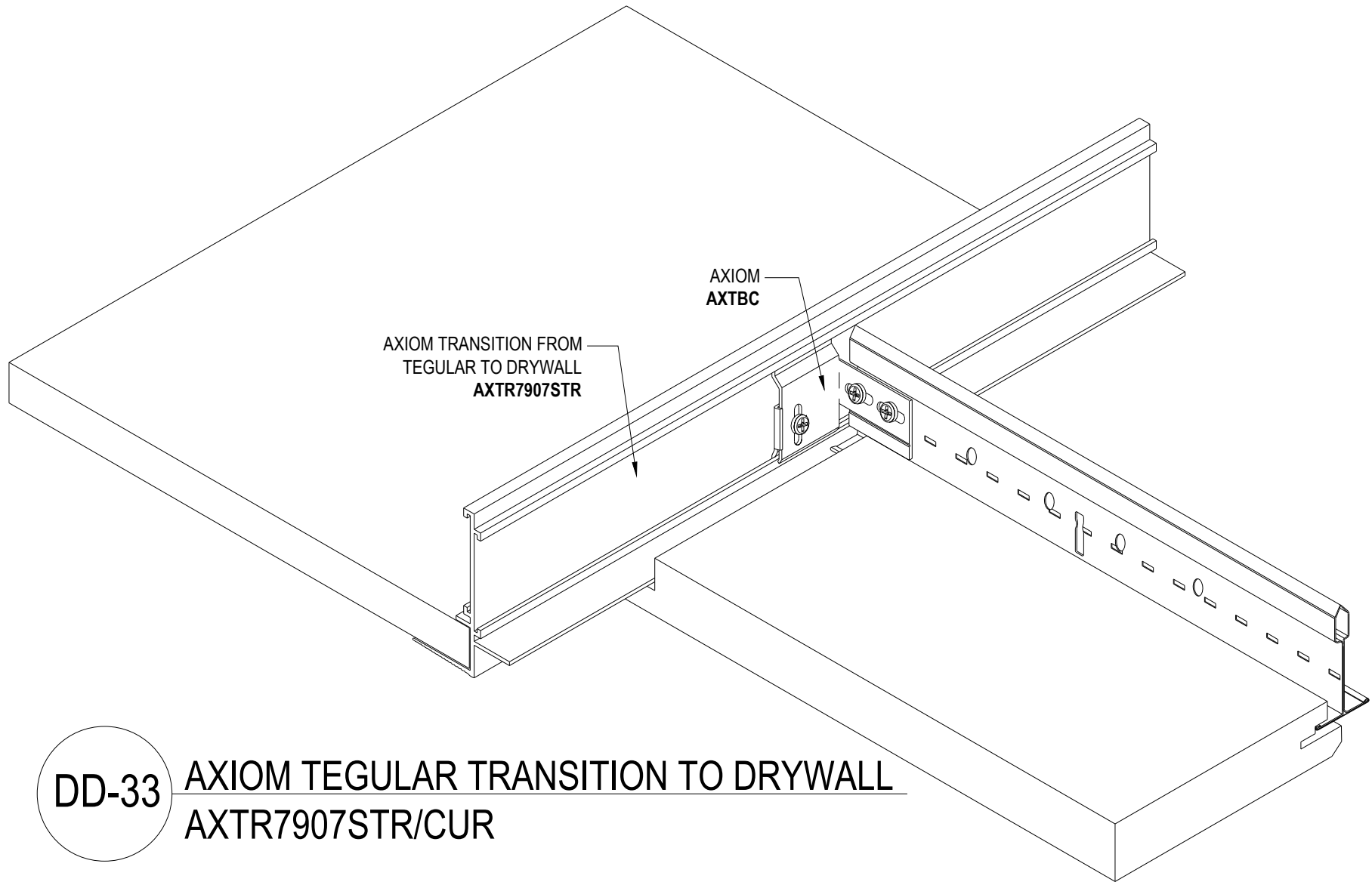
Armstrong is not licensed to provide professional architecture or engineering design services.

| | | | |
|--|------------------------|----------|---------|
| PROJECT NAME: AXIOM TRANSITIONS MASTER SHEET | | | |
| AXIOM TRANSITION TEGULAR TO DRYWALL AXTR7907STR/CUR | | | |
| DWG. NO. A-A003-DD-32 | | REV: . | DATE: . |
| DATE: 1/10/25 | SCALE: 6"=1'-0" | DESC.: . | |
| DRAWN BY: DAG | CHK BY: . | | |



CEILING & WALL SOLUTIONS * ARMSTRONG WORLD INDUSTRIES, INC. * Lancaster, PA * Phone: 877-ARMSTRONG





DD-33 AXIOM TEGULAR TRANSITION TO DRYWALL
AXTR7907STR/CUR

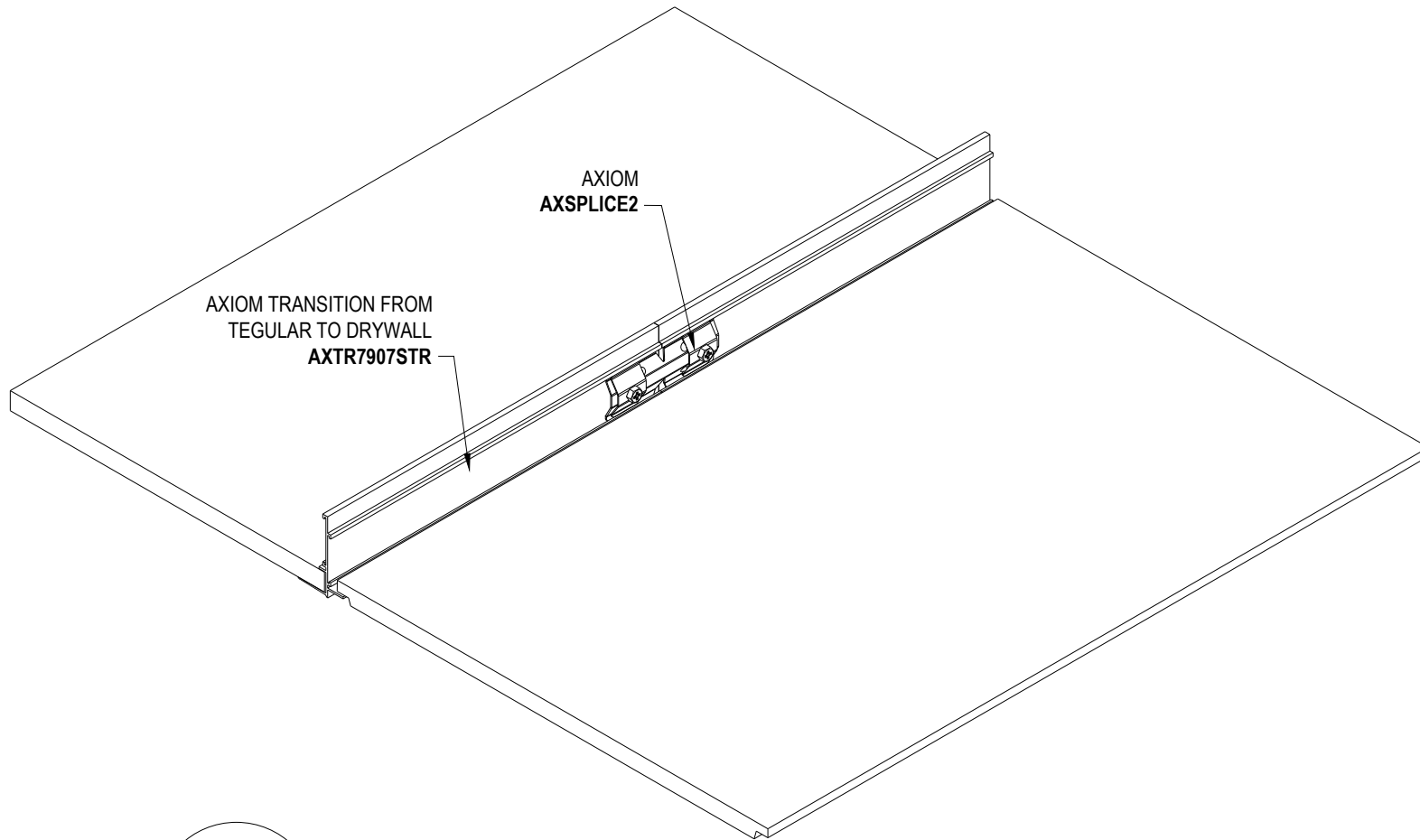
These drawings show typical conditions in which the Armstrong product depicted is installed. They are not a substitute for an architect's or engineer's plan and do not reflect the unique requirements of local building codes, laws, statutes, ordinances, rules and regulations (Legal Requirements) that may be applicable for a particular installation.

Armstrong does not warrant, and assumes no liability for the accuracy or completeness of the drawings for a particular installation or their fitness for a particular purpose. The user is advised to consult with a duly licensed architect or engineer in the particular locale of the installation to assure compliance with all Legal Requirements.

Armstrong is not licensed to provide professional architecture or engineering design services.

PROJECT NAME: AXIOM TRANSITIONS MASTER SHEET
AXIOM TEGULAR TRANSITION TO DRYWALL AXTR7907STR/CUR

| | | | |
|-----------------------|-----------------|----------|---------|
| DWG. NO. A-A003-DD-33 | | REV: . | DATE: . |
| DATE: 1/10/25 | SCALE: 6"=1'-0" | DESC.: . | |
| DRAWN BY: DAG | CHK BY: . | | |



DD-34 AXIOM TEGULAR SPLICED
AXTR7907STR/CUR

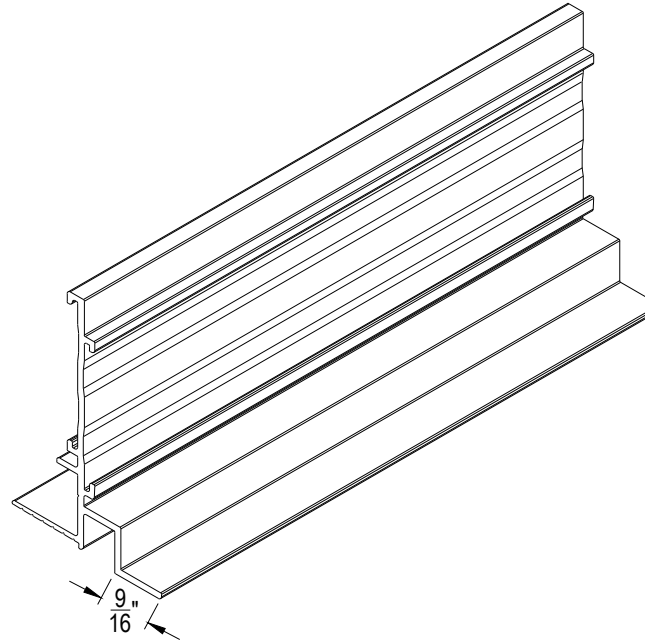
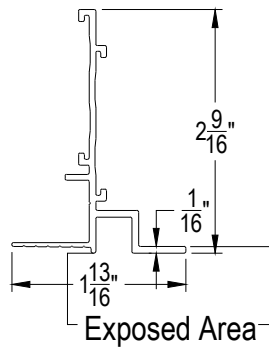
These drawings show typical conditions in which the Armstrong product depicted is installed. They are not a substitute for an architect's or engineer's plan and do not reflect the unique requirements of local building codes, laws, statutes, ordinances, rules and regulations (Legal Requirements) that may be applicable for a particular installation.

Armstrong does not warrant, and assumes no liability for the accuracy or completeness of the drawings for a particular installation or their fitness for a particular purpose. The user is advised to consult with a duly licensed architect or engineer in the particular locale of the installation to assure compliance with all Legal Requirements.

Armstrong is not licensed to provide professional architecture or engineering design services.

| | | | |
|---|------------------------|----------|---------|
| PROJECT NAME: AXIOM TRANSITIONS MASTER SHEET | | | |
| AXIOM TEGULAR SPLICED AXTR7907STR/CUR | | | |
| DWG. NO. A-A003-DD-34 | | REV: . | DATE: . |
| DATE: 1/10/25 | SCALE: 3"=1'-0" | DESC.: . | |
| DRAWN BY: DAG | CHK BY: . | | |

AXTR7901STR/CUR



DD-35 AXIOM 9/16" SHADOW REVEAL
AXTR7901STR/CUR

These drawings show typical conditions in which the Armstrong product depicted is installed. They are not a substitute for an architect's or engineer's plan and do not reflect the unique requirements of local building codes, laws, statutes, ordinances, rules and regulations (Legal Requirements) that may be applicable for a particular installation.

Armstrong does not warrant, and assumes no liability for the accuracy or completeness of the drawings for a particular installation or their fitness for a particular purpose. The user is advised to consult with a duly licensed architect or engineer in the particular locale of the installation to assure compliance with all Legal Requirements.

Armstrong is not licensed to provide professional architecture or engineering design services.

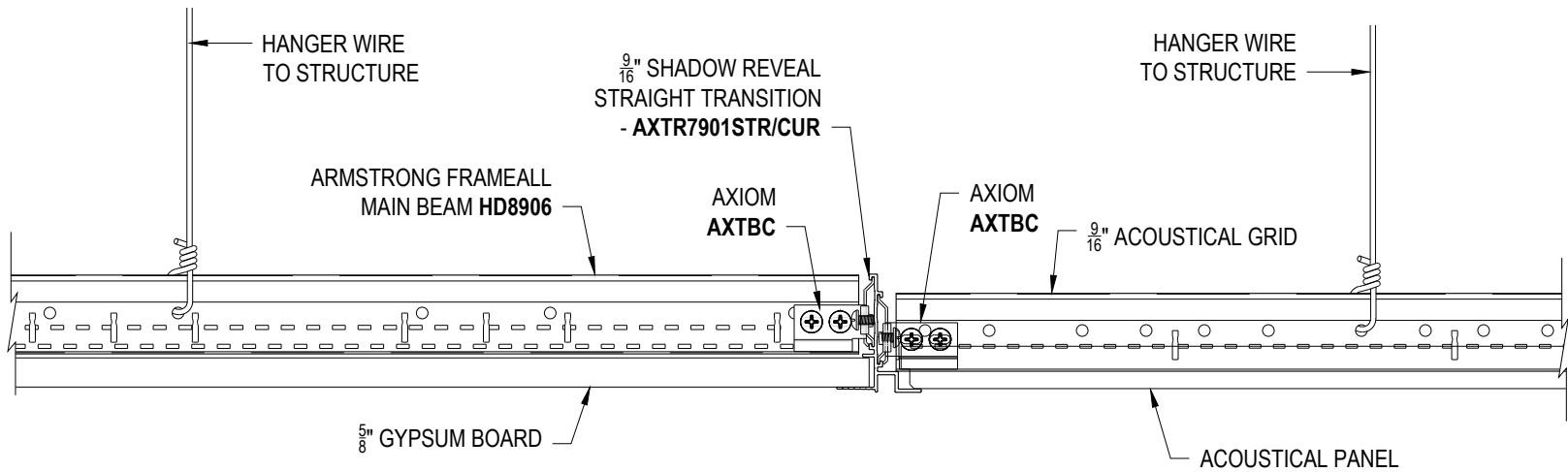
PROJECT NAME: AXIOM TRANSITIONS MASTER SHEET
AXIOM 9/16" SHADOW REVEAL AXTR7901STR/CUR

| | | | |
|-----------------------|-----------------|----------|---------|
| DWG. NO. A-A003-DD-35 | | REV: . | DATE: . |
| DATE: 1/10/25 | SCALE: 6"=1'-0" | DESC.: . | |
| DRAWN BY: DAG | CHK BY: . | | |



CEILING & WALL SOLUTIONS * ARMSTRONG WORLD INDUSTRIES, INC. * Lancaster, PA * Phone: 877-ARMSTRONG





DD-36 DRYWALL TO ACT TRANSITION
AXTR7901STR/CUR

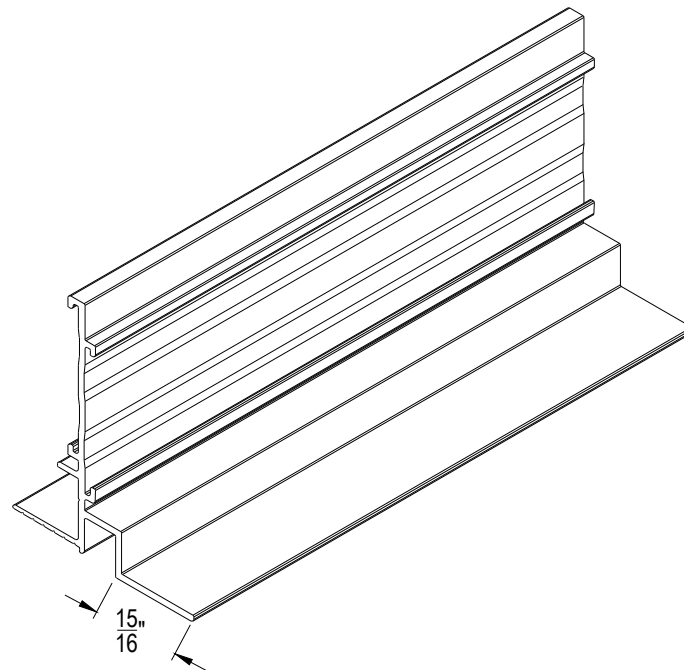
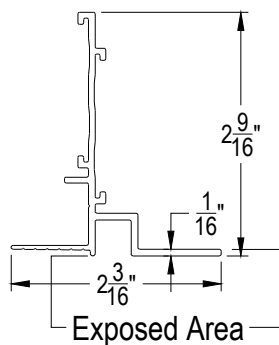
These drawings show typical conditions in which the Armstrong product depicted is installed. They are not a substitute for an architect's or engineer's plan and do not reflect the unique requirements of local building codes, laws, statutes, ordinances, rules and regulations (Legal Requirements) that may be applicable for a particular installation.

Armstrong does not warrant, and assumes no liability for the accuracy or completeness of the drawings for a particular installation or their fitness for a particular purpose. The user is advised to consult with a duly licensed architect or engineer in the particular locale of the installation to assure compliance with all Legal Requirements.

Armstrong is not licensed to provide professional architecture or engineering design services.

| | | | |
|---|------------------------|----------|--|
| PROJECT NAME: AXIOM TRANSITIONS MASTER SHEET | | | |
| DRYWALL TO ACT TRANSITION AXTR7901STR/CUR | | | |
| DWG. NO. A-A003-DD-36 | REV: . | DATE: . | |
| DATE: 1/10/25 | SCALE: 3"=1'-0" | DESC.: . | |
| DRAWN BY: DAG | CHK BY: . | | |

AXTR7902STR/CUR



DD-37 AXIOM 15/16" SHADOW REVEAL
AXTR7902STR/CUR

These drawings show typical conditions in which the Armstrong product depicted is installed. They are not a substitute for an architect's or engineer's plan and do not reflect the unique requirements of local building codes, laws, statutes, ordinances, rules and regulations (Legal Requirements) that may be applicable for a particular installation.

Armstrong does not warrant, and assumes no liability for the accuracy or completeness of the drawings for a particular installation or their fitness for a particular purpose. The user is advised to consult with a duly licensed architect or engineer in the particular locale of the installation to assure compliance with all Legal Requirements.

Armstrong is not licensed to provide professional architecture or engineering design services.

PROJECT NAME: AXIOM TRANSITIONS MASTER SHEET
AXIOM 15/16" SHADOW REVEAL AXTR7902STR/CUR

DWG. NO. A-A003-DD-37

REV: . DATE: .

DATE: 1/10/25

SCALE: 6"=1'-0"

DESC.: .

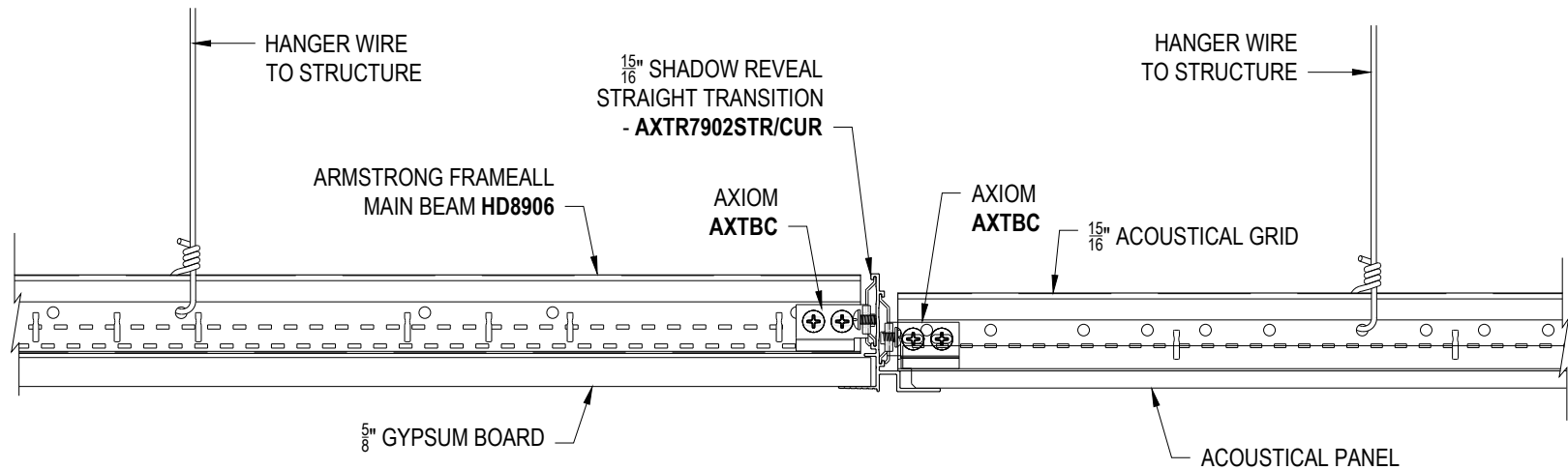
DRAWN BY: DAG

CHK BY: .



CEILING & WALL SOLUTIONS * ARMSTRONG WORLD INDUSTRIES, INC. * Lancaster, PA * Phone: 877-ARMSTRONG





DD-38 DRYWALL TO ACT TRANSITION
AXTR7902STR/CUR

These drawings show typical conditions in which the Armstrong product depicted is installed. They are not a substitute for an architect's or engineer's plan and do not reflect the unique requirements of local building codes, laws, statutes, ordinances, rules and regulations (Legal Requirements) that may be applicable for a particular installation.

Armstrong does not warrant, and assumes no liability for the accuracy or completeness of the drawings for a particular installation or their fitness for a particular purpose. The user is advised to consult with a duly licensed architect or engineer in the particular locale of the installation to assure compliance with all Legal Requirements.

Armstrong is not licensed to provide professional architecture or engineering design services.

PROJECT NAME: **AXIOM TRANSITIONS MASTER SHEET**
DRYWALL TO ACT TRANSITION AXTR7902STR/CUR

DWG. NO. **A-A003-DD-38**

REV: . DATE: .

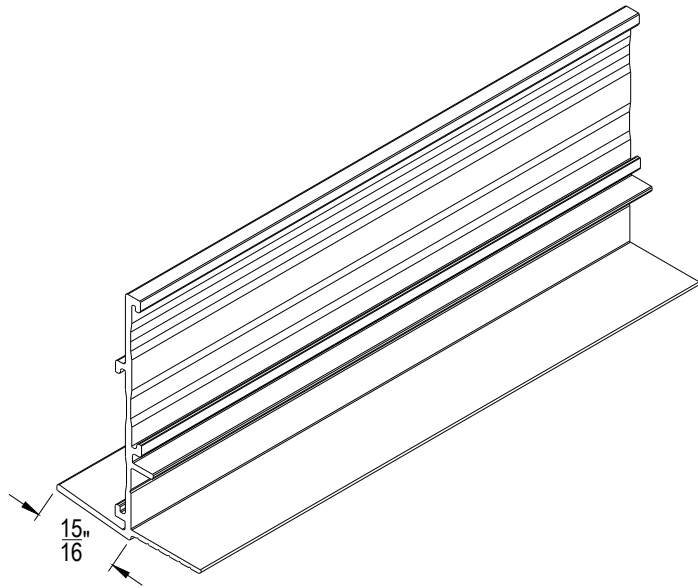
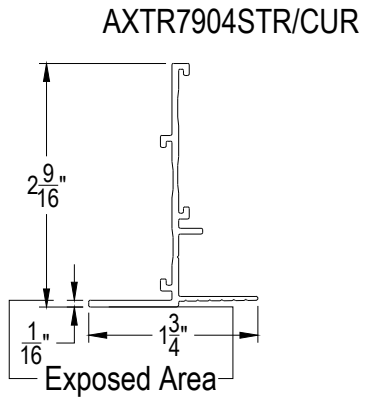
DATE: **1/10/25**

SCALE: **3"=1'-0"**

DESC.: .

DRAWN BY: **DAG**

CHK BY: .



DD-39 AXIOM 15/16" FLUSH
AXTR7904STR/CUR

These drawings show typical conditions in which the Armstrong product depicted is installed. They are not a substitute for an architect's or engineer's plan and do not reflect the unique requirements of local building codes, laws, statutes, ordinances, rules and regulations (Legal Requirements) that may be applicable for a particular installation.

Armstrong does not warrant, and assumes no liability for the accuracy or completeness of the drawings for a particular installation or their fitness for a particular purpose. The user is advised to consult with a duly licensed architect or engineer in the particular locale of the installation to assure compliance with all Legal Requirements.

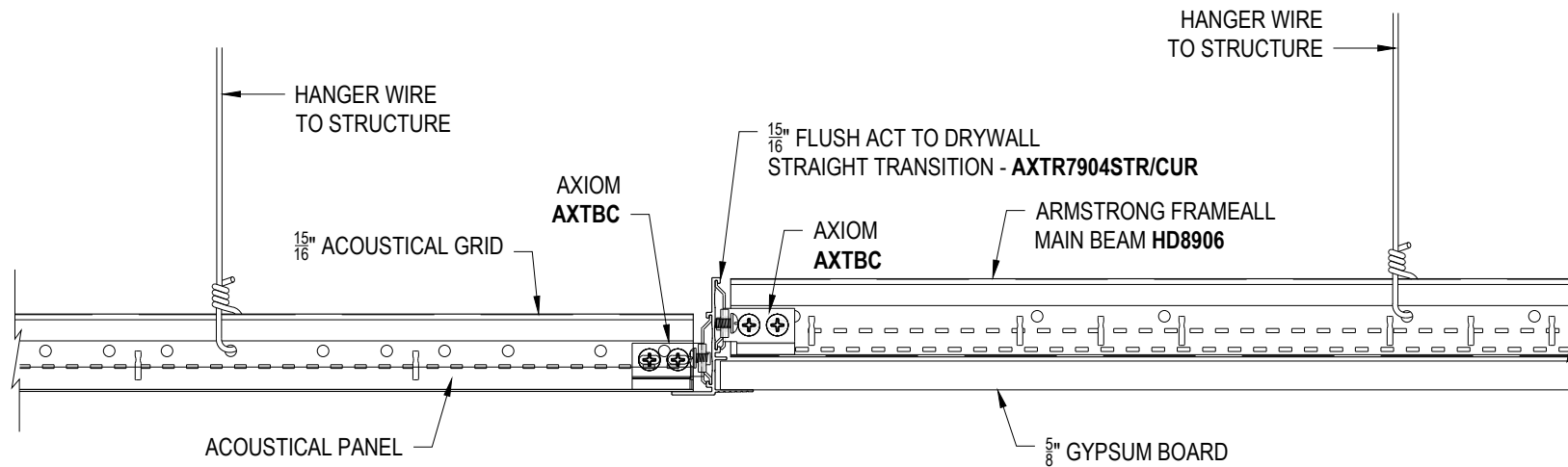
Armstrong is not licensed to provide professional architecture or engineering design services.

| | | | |
|--|-----------------|----------|---------|
| PROJECT NAME: AXIOM TRANSITIONS MASTER SHEET AXIOM 15/16" FLUSH AXTR7904STR/CUR | | | |
| DWG. NO. A-A003-DD-39 | | REV: . | DATE: . |
| DATE: 1/10/25 | SCALE: 6"=1'-0" | DESC.: . | |
| DRAWN BY: DAG | CHK BY: . | | |



CEILING & WALL SOLUTIONS * ARMSTRONG WORLD INDUSTRIES, INC. * Lancaster, PA * Phone: 877-ARMSTRONG





DD-40
ACT TO DRYWALL TRANSITION
AXTR7904STR/CUR

These drawings show typical conditions in which the Armstrong product depicted is installed. They are not a substitute for an architect's or engineer's plan and do not reflect the unique requirements of local building codes, laws, statutes, ordinances, rules and regulations (Legal Requirements) that may be applicable for a particular installation.

Armstrong does not warrant, and assumes no liability for the accuracy or completeness of the drawings for a particular installation or their fitness for a particular purpose. The user is advised to consult with a duly licensed architect or engineer in the particular locale of the installation to assure compliance with all Legal Requirements.

Armstrong is not licensed to provide professional architecture or engineering design services.

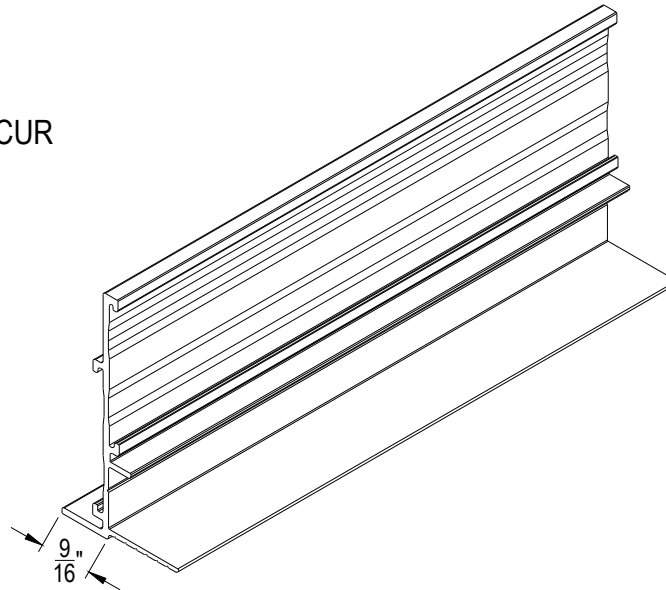
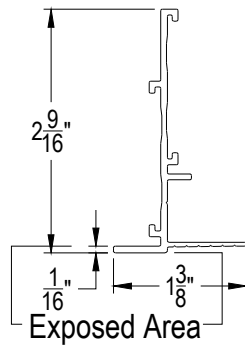
| | | | |
|---|------------------------|----------|---------|
| PROJECT NAME: AXIOM TRANSITIONS MASTER SHEET | | | |
| ACT TO DRYWALL TRANSITION AXTR7904STR/CUR | | | |
| DWG. NO. A-A003-DD-40 | | REV: . | DATE: . |
| DATE: 1/10/25 | SCALE: 3"=1'-0" | DESC.: . | |
| DRAWN BY: DAG | CHK BY: . | | |



CEILING & WALL SOLUTIONS * ARMSTRONG WORLD INDUSTRIES, INC. * Lancaster, PA * Phone: 877-ARMSTRONG



AXTR7905STR/CUR



DD-41 AXIOM 9/16" FLUSH
AXTR7905STR/CUR

These drawings show typical conditions in which the Armstrong product depicted is installed. They are not a substitute for an architect's or engineer's plan and do not reflect the unique requirements of local building codes, laws, statutes, ordinances, rules and regulations (Legal Requirements) that may be applicable for a particular installation.

Armstrong does not warrant, and assumes no liability for the accuracy or completeness of the drawings for a particular installation or their fitness for a particular purpose. The user is advised to consult with a duly licensed architect or engineer in the particular locale of the installation to assure compliance with all Legal Requirements.

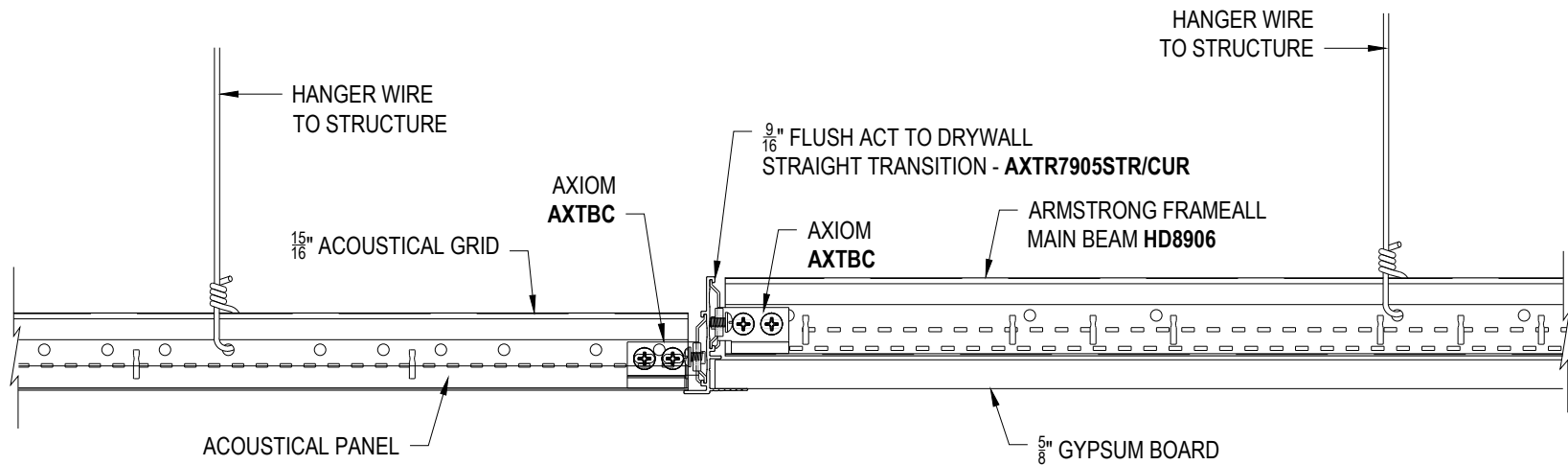
Armstrong is not licensed to provide professional architecture or engineering design services.

| | | | |
|---|-----------------|--------|----------|
| PROJECT NAME: AXIOM TRANSITIONS MASTER SHEET AXIOM 9/16" FLUSH AXTR7905STR/CUR | | | |
| DWG. NO. A-A003-DD-41 | | REV: . | DATE: . |
| DATE: 1/10/25 | SCALE: 6"=1'-0" | | DESC.: . |
| DRAWN BY: DAG | CHK BY: . | | |



CEILING & WALL SOLUTIONS * ARMSTRONG WORLD INDUSTRIES, INC. * Lancaster, PA * Phone: 877-ARMSTRONG





DD-42

**ACT TO DRYWALL TRANSITION
AXTR7905STR/CUR**

These drawings show typical conditions in which the Armstrong product depicted is installed. They are not a substitute for an architect's or engineer's plan and do not reflect the unique requirements of local building codes, laws, statutes, ordinances, rules and regulations (Legal Requirements) that may be applicable for a particular installation.

Armstrong does not warrant, and assumes no liability for the accuracy or completeness of the drawings for a particular installation or their fitness for a particular purpose. The user is advised to consult with a duly licensed architect or engineer in the particular locale of the installation to assure compliance with all Legal Requirements.

Armstrong is not licensed to provide professional architecture or engineering design services.

PROJECT NAME: **AXIOM TRANSITIONS MASTER SHEET
ACT TO DRYWALL TRANSITION AXTR7905STR/CUR**

DWG. NO. **A-A003-DD-42**

REV: . DATE: .

DATE: **1/10/25**

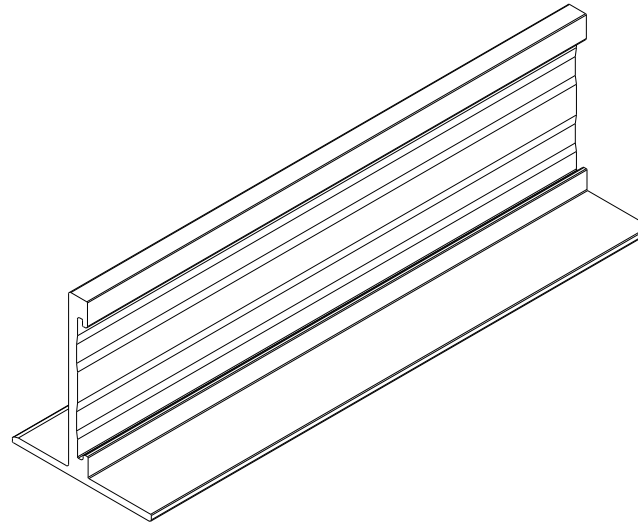
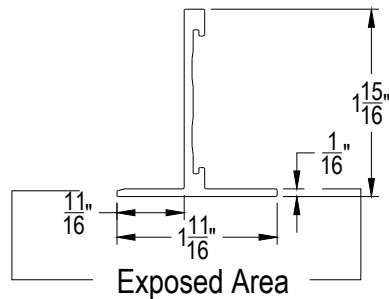
SCALE: **3"=1'-0"**

DESC.: .

DRAWN BY: **DAG**

CHK BY: .

AXTR7906STR/CUR



DD-43

**AXIOM "F" VERTICAL
AXTR7906STR/CUR**

These drawings show typical conditions in which the Armstrong product depicted is installed. They are not a substitute for an architect's or engineer's plan and do not reflect the unique requirements of local building codes, laws, statutes, ordinances, rules and regulations (Legal Requirements) that may be applicable for a particular installation.

Armstrong does not warrant, and assumes no liability for the accuracy or completeness of the drawings for a particular installation or their fitness for a particular purpose. The user is advised to consult with a duly licensed architect or engineer in the particular locale of the installation to assure compliance with all Legal Requirements.

Armstrong is not licensed to provide professional architecture or engineering design services.

PROJECT NAME: **AXIOM TRANSITIONS MASTER SHEET
AXIOM "F" VERTICAL AXTR7906STR/CUR**

DWG. NO. **A-A003-DD-43**

REV: . DATE: .

DATE: **1/10/25**

SCALE: **6"=1'-0"**

DESC.: .

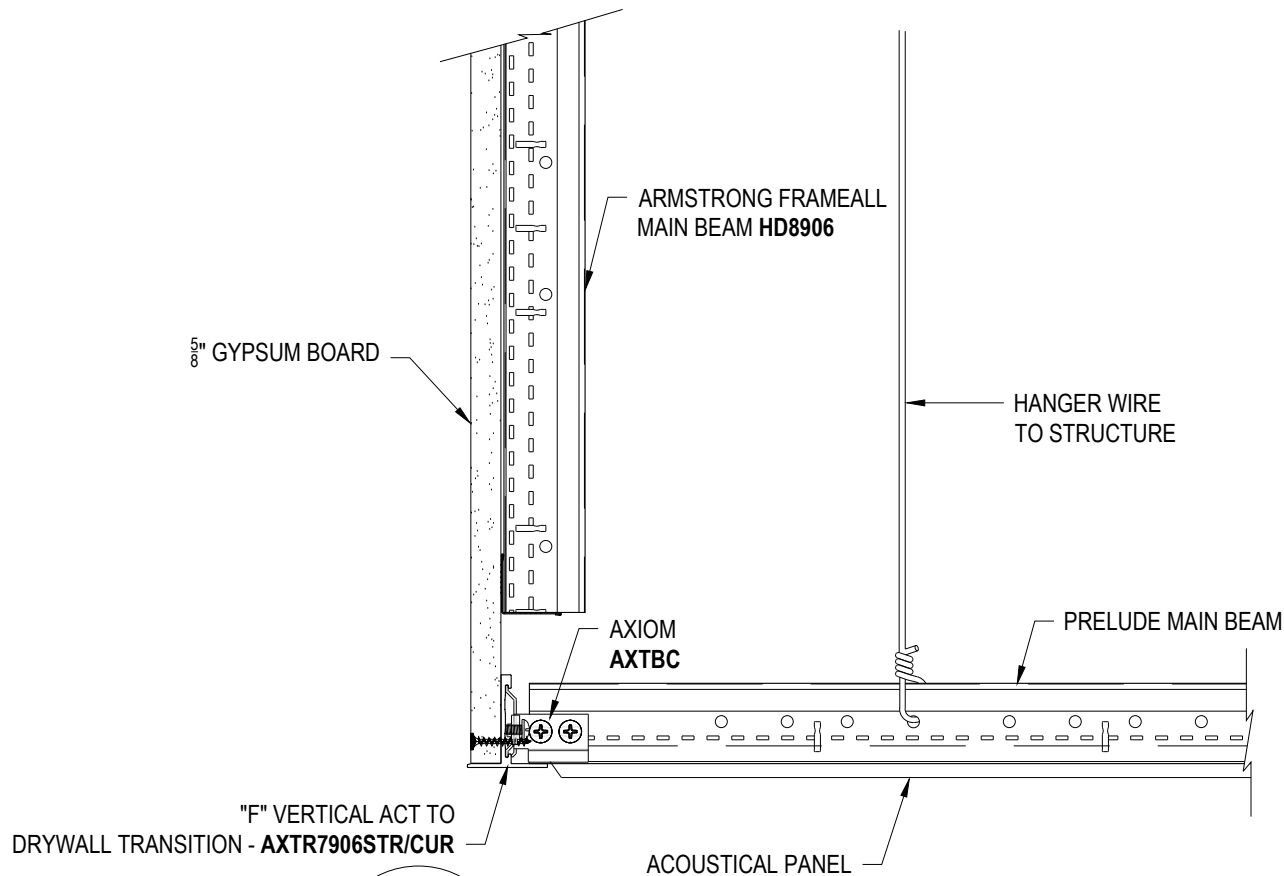
DRAWN BY: **DAG**

CHK BY: .



CEILING & WALL SOLUTIONS * ARMSTRONG WORLD INDUSTRIES, INC. * Lancaster, PA * Phone: 877-ARMSTRONG





DD-44 **DRYWALL TO ACT VERTICAL TRANSITION**
AXTR7906STR/CUR

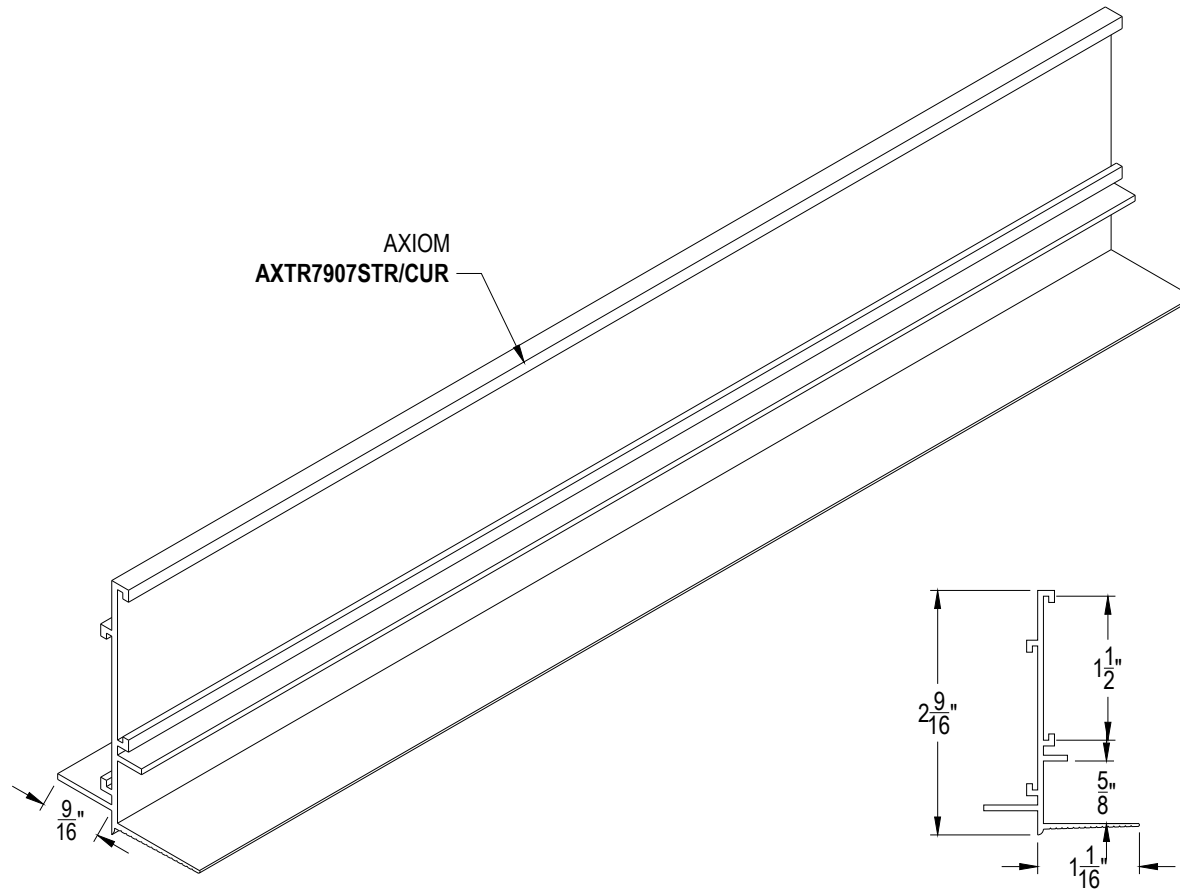
These drawings show typical conditions in which the Armstrong product depicted is installed. They are not a substitute for an architect's or engineer's plan and do not reflect the unique requirements of local building codes, laws, statutes, ordinances, rules and regulations (Legal Requirements) that may be applicable for a particular installation.

Armstrong does not warrant, and assumes no liability for the accuracy or completeness of the drawings for a particular installation or their fitness for a particular purpose. The user is advised to consult with a duly licensed architect or engineer in the particular locale of the installation to assure compliance with all Legal Requirements.

Armstrong is not licensed to provide professional architecture or engineering design services.

PROJECT NAME: **AXIOM TRANSITIONS MASTER SHEET**
DRYWALL TO ACT VERTICAL TRANSITION AXTR7906STR/CUR

| | | | |
|------------------------------|------------------------|----------|---------|
| DWG. NO. A-A003-DD-44 | | REV: . | DATE: . |
| DATE: 1/10/25 | SCALE: 3"=1'-0" | DESC.: . | |
| DRAWN BY: DAG | CHK BY: . | | |



AXIOM
AXTR7907STR/CUR

DD-45 AXIOM TEGULAR TO DRYWALL
AXTR7907STR/CUR

These drawings show typical conditions in which the Armstrong product depicted is installed. They are not a substitute for an architect's or engineer's plan and do not reflect the unique requirements of local building codes, laws, statutes, ordinances, rules and regulations (Legal Requirements) that may be applicable for a particular installation.

Armstrong does not warrant, and assumes no liability for the accuracy or completeness of the drawings for a particular installation or their fitness for a particular purpose. The user is advised to consult with a duly licensed architect or engineer in the particular locale of the installation to assure compliance with all Legal Requirements.

Armstrong is not licensed to provide professional architecture or engineering design services.

PROJECT NAME: AXIOM TRANSITIONS MASTER SHEET
AXIOM TEGULAR TO DRYWALL AXTR7907STR/CUR

DWG. NO. A-A003-DD-45

REV: . DATE: .

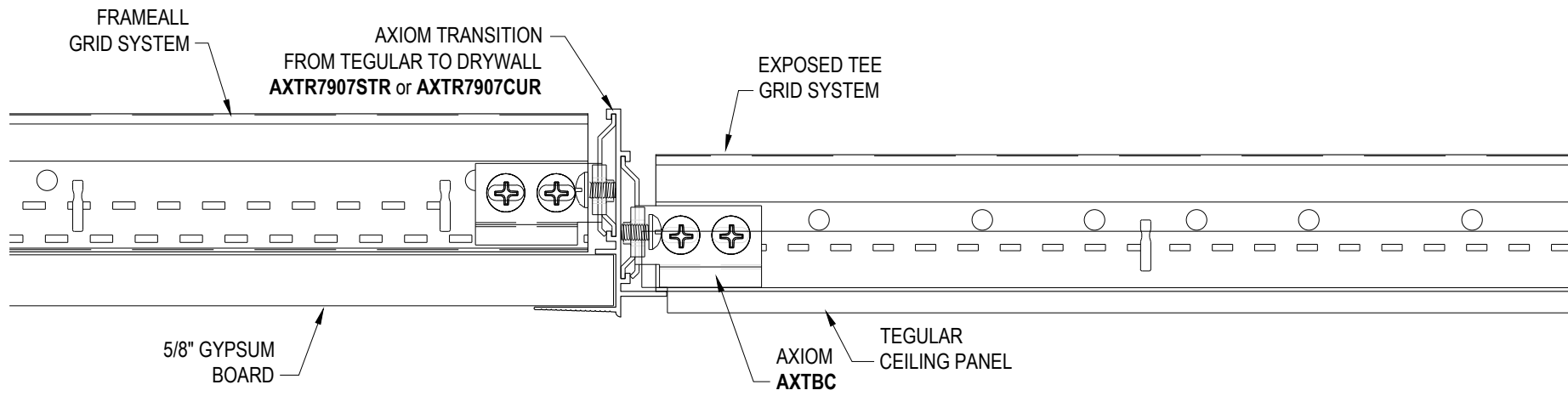
DATE: 1/10/25

SCALE: 6"=1'-0"

DESC.: .

DRAWN BY: DAG

CHK BY: .



DD-46 DRYWALL TO ACT TRANSITION
AXTR7907STR/CUR

These drawings show typical conditions in which the Armstrong product depicted is installed. They are not a substitute for an architect's or engineer's plan and do not reflect the unique requirements of local building codes, laws, statutes, ordinances, rules and regulations (Legal Requirements) that may be applicable for a particular installation.

Armstrong does not warrant, and assumes no liability for the accuracy or completeness of the drawings for a particular installation or their fitness for a particular purpose. The user is advised to consult with a duly licensed architect or engineer in the particular locale of the installation to assure compliance with all Legal Requirements.

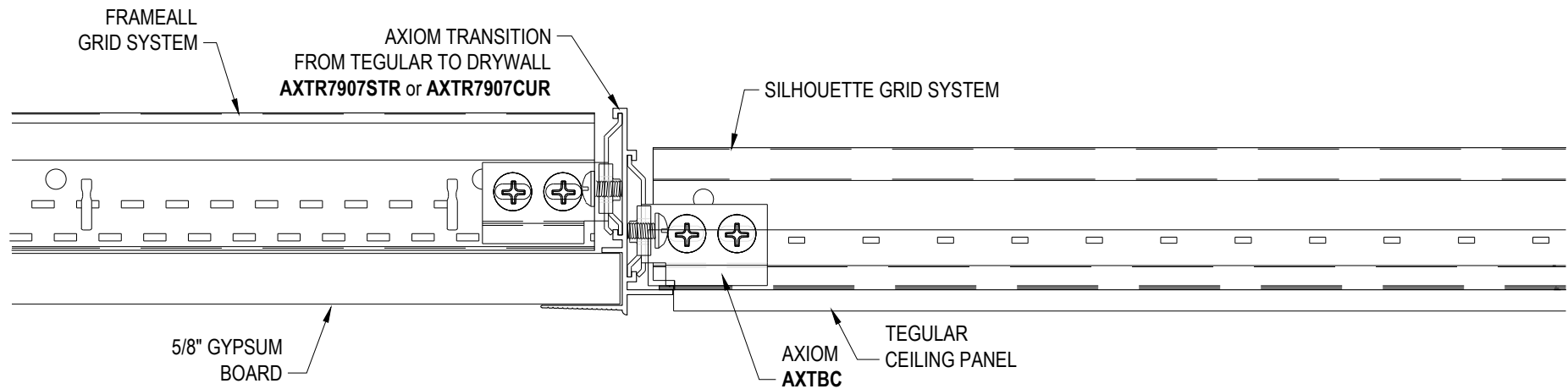
Armstrong is not licensed to provide professional architecture or engineering design services.

| | | | |
|---|------------------------|----------|---------|
| PROJECT NAME: AXIOM TRANSITIONS MASTER SHEET | | | |
| DRYWALL TO ACT TRANSITION AXTR7907STR/CUR | | | |
| DWG. NO. A-A003-DD-46 | | REV: . | DATE: . |
| DATE: 1/10/25 | SCALE: 6"=1'-0" | DESC.: . | |
| DRAWN BY: DAG | CHK BY: . | | |



CEILING & WALL SOLUTIONS * ARMSTRONG WORLD INDUSTRIES, INC. * Lancaster, PA * Phone: 877-ARMSTRONG





DD-47 DRYWALL TO SILHOUETTE TRANSITION
AXTR7907STR/CUR

These drawings show typical conditions in which the Armstrong product depicted is installed. They are not a substitute for an architect's or engineer's plan and do not reflect the unique requirements of local building codes, laws, statutes, ordinances, rules and regulations (Legal Requirements) that may be applicable for a particular installation.

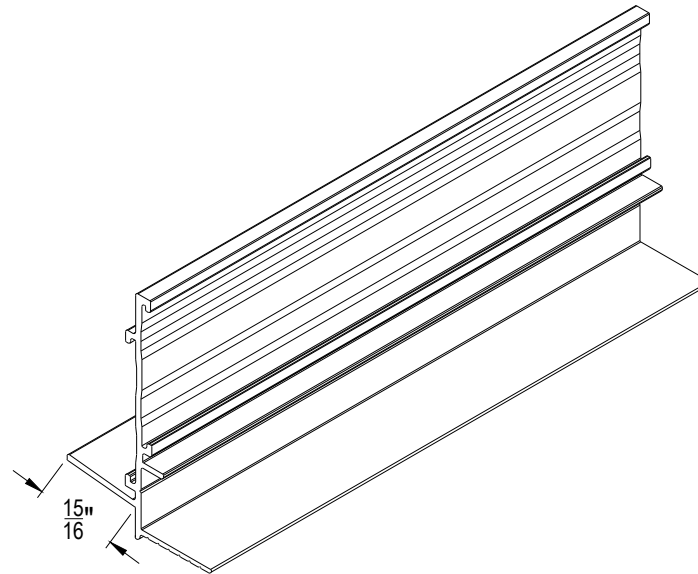
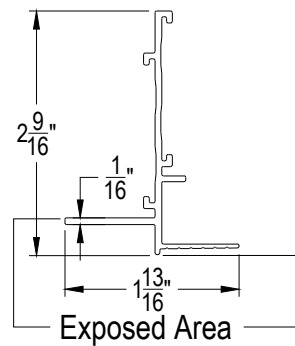
Armstrong does not warrant, and assumes no liability for the accuracy or completeness of the drawings for a particular installation or their fitness for a particular purpose. The user is advised to consult with a duly licensed architect or engineer in the particular locale of the installation to assure compliance with all Legal Requirements.

Armstrong is not licensed to provide professional architecture or engineering design services.

PROJECT NAME: **AXIOM TRANSITIONS MASTER SHEET**
DRYWALL TO SILHOUETTE TRANSITION AXTR7907STR/CUR

| | | | |
|------------------------------|------------------------|----------|---------|
| DWG. NO. A-A003-DD-47 | | REV: . | DATE: . |
| DATE: 1/10/25 | SCALE: 6"=1'-0" | DESC.: . | |
| DRAWN BY: DAG | CHK BY: . | | |

AXTR7908STR/CUR



DD-48

AXIOM TEGULAR TO DRYWALL
AXTR7908STR/CUR

These drawings show typical conditions in which the Armstrong product depicted is installed. They are not a substitute for an architect's or engineer's plan and do not reflect the unique requirements of local building codes, laws, statutes, ordinances, rules and regulations (Legal Requirements) that may be applicable for a particular installation.

Armstrong does not warrant, and assumes no liability for the accuracy or completeness of the drawings for a particular installation or their fitness for a particular purpose. The user is advised to consult with a duly licensed architect or engineer in the particular locale of the installation to assure compliance with all Legal Requirements.

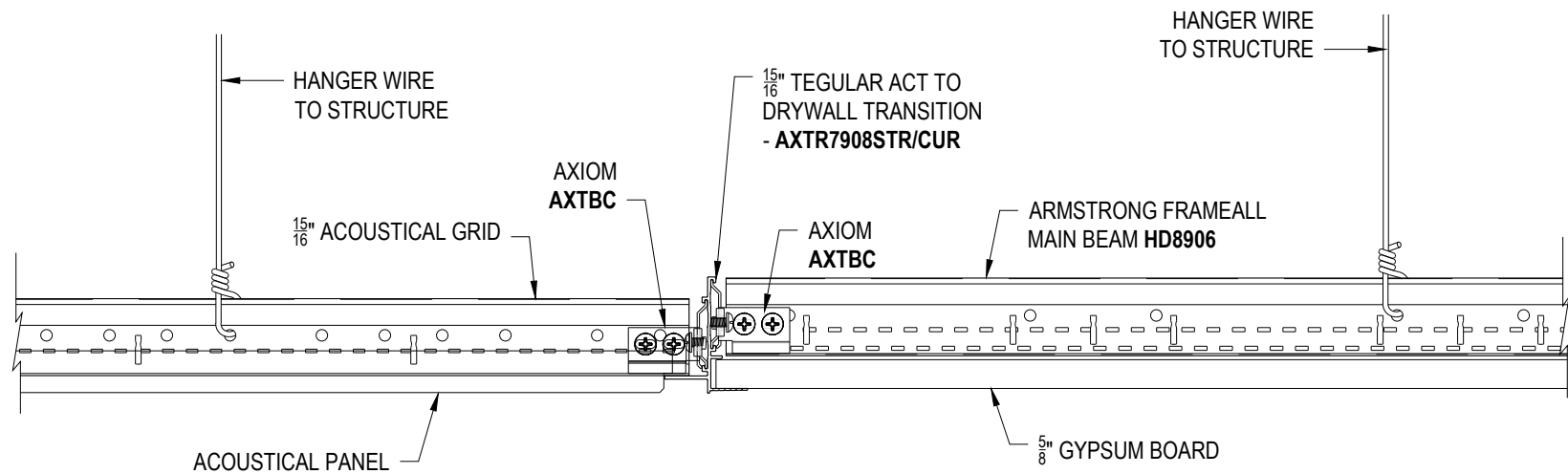
Armstrong is not licensed to provide professional architecture or engineering design services.

| | | | |
|---|------------------------|----------|--|
| PROJECT NAME: AXIOM TRANSITIONS MASTER SHEET | | | |
| AXIOM TEGULAR TO DRYWALL AXTR7908STR/CUR | | | |
| DWG. NO. A-A003-DD-48 | REV: . | DATE: . | |
| DATE: 1/10/25 | SCALE: 6"=1'-0" | DESC.: . | |
| DRAWN BY: DAG | CHK BY: . | | |



CEILING & WALL SOLUTIONS * ARMSTRONG WORLD INDUSTRIES, INC. * Lancaster, PA * Phone: 877-ARMSTRONG





DD-49 ACT TO DRYWALL TRANSITION
AXTR7908STR/CUR

These drawings show typical conditions in which the Armstrong product depicted is installed. They are not a substitute for an architect's or engineer's plan and do not reflect the unique requirements of local building codes, laws, statutes, ordinances, rules and regulations (Legal Requirements) that may be applicable for a particular installation.

Armstrong does not warrant, and assumes no liability for the accuracy or completeness of the drawings for a particular installation or their fitness for a particular purpose. The user is advised to consult with a duly licensed architect or engineer in the particular locale of the installation to assure compliance with all Legal Requirements.

Armstrong is not licensed to provide professional architecture or engineering design services.

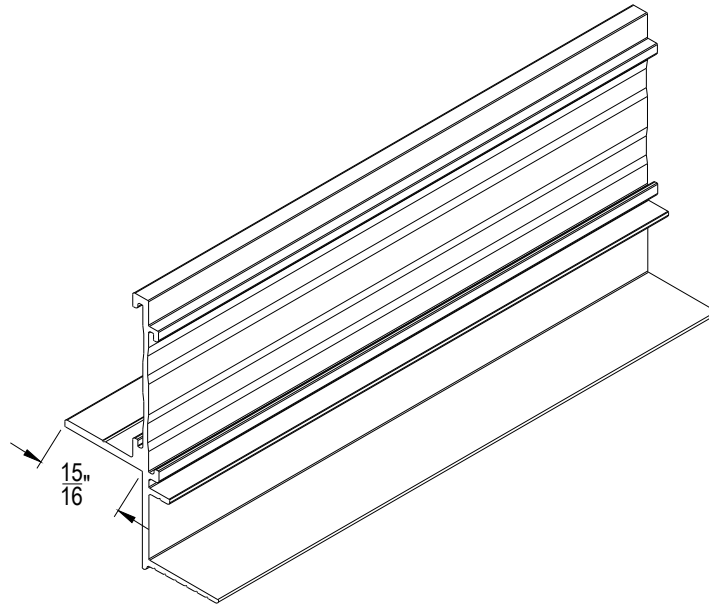
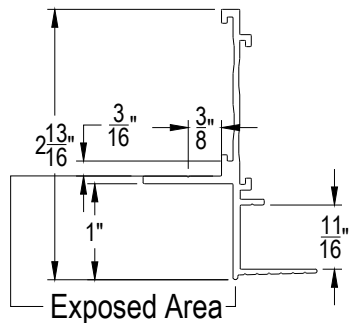
| | | | |
|---|------------------------|----------|---------|
| PROJECT NAME: AXIOM TRANSITIONS MASTER SHEET | | | |
| ACT TO DRYWALL TRANSITION AXTR7908STR/CUR | | | |
| DWG. NO. A-A003-DD-49 | | REV: . | DATE: . |
| DATE: 1/10/25 | SCALE: 3"=1'-0" | DESC.: . | |
| DRAWN BY: DAG | CHK BY: . | | |



CEILING & WALL SOLUTIONS * ARMSTRONG WORLD INDUSTRIES, INC. * Lancaster, PA * Phone: 877-ARMSTRONG



AXTR7909STR/CUR



DD-50 AXIOM 1" TRANSITION
AXTR7909STR/CUR

These drawings show typical conditions in which the Armstrong product depicted is installed. They are not a substitute for an architect's or engineer's plan and do not reflect the unique requirements of local building codes, laws, statutes, ordinances, rules and regulations (Legal Requirements) that may be applicable for a particular installation.

Armstrong does not warrant, and assumes no liability for the accuracy or completeness of the drawings for a particular installation or their fitness for a particular purpose. The user is advised to consult with a duly licensed architect or engineer in the particular locale of the installation to assure compliance with all Legal Requirements.

Armstrong is not licensed to provide professional architecture or engineering design services.

PROJECT NAME: **AXIOM TRANSITIONS MASTER SHEET**
AXIOM 1" TRANSITION AXTR7909STR/CUR

DWG. NO. **A-A003-DD-50**

REV: . DATE: .

DATE: **1/10/25**

SCALE: **6"=1'-0"**

DESC.: .

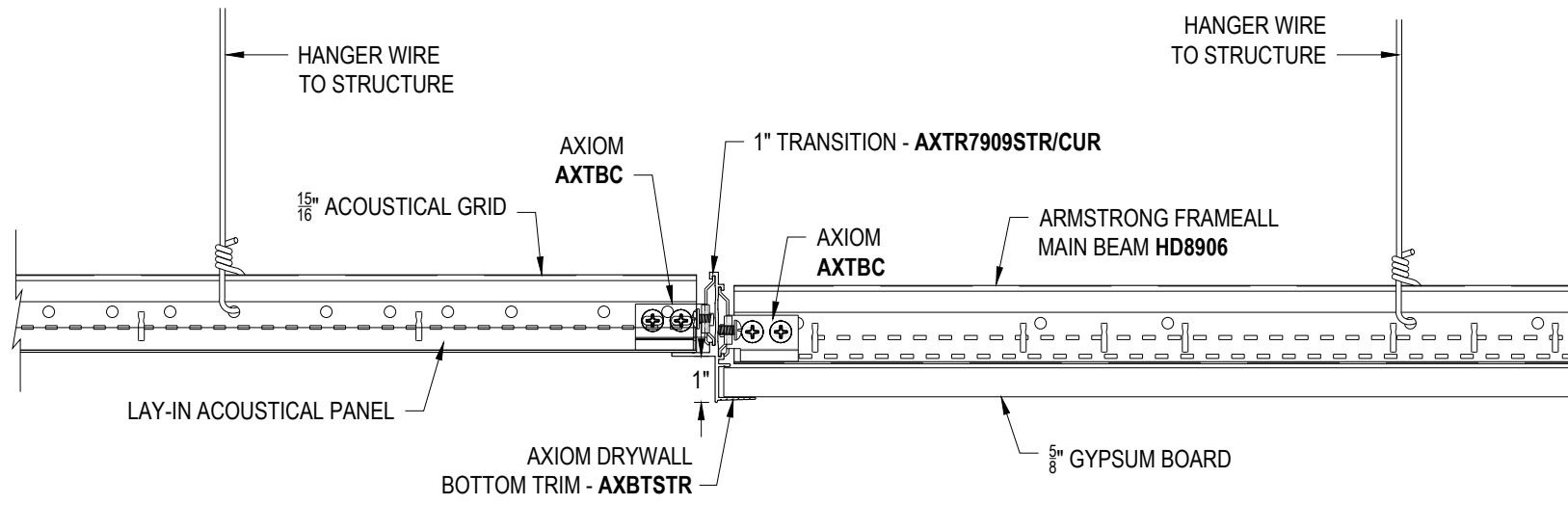
DRAWN BY: **DAG**

CHK BY: .



CEILING & WALL SOLUTIONS * ARMSTRONG WORLD INDUSTRIES, INC. * Lancaster, PA * Phone: 877-ARMSTRONG





DD-51 ACT TO DRYWALL TRANSITION
AXTR7909STR/CUR

These drawings show typical conditions in which the Armstrong product depicted is installed. They are not a substitute for an architect's or engineer's plan and do not reflect the unique requirements of local building codes, laws, statutes, ordinances, rules and regulations (Legal Requirements) that may be applicable for a particular installation.

Armstrong does not warrant, and assumes no liability for the accuracy or completeness of the drawings for a particular installation or their fitness for a particular purpose. The user is advised to consult with a duly licensed architect or engineer in the particular locale of the installation to assure compliance with all Legal Requirements.

Armstrong is not licensed to provide professional architecture or engineering design services.

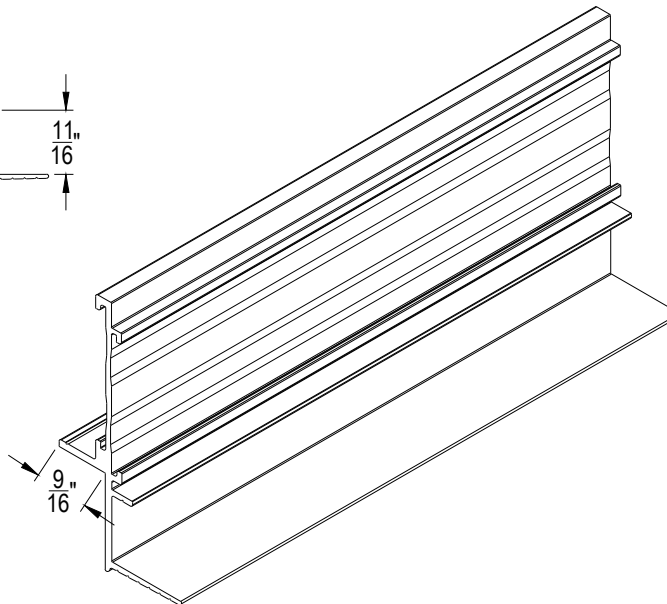
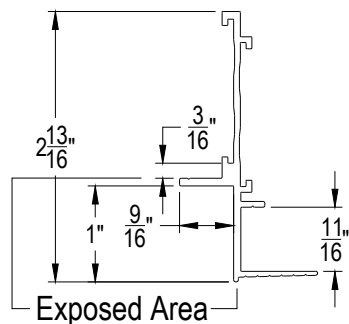
| | | | |
|---|------------------------|----------|--|
| PROJECT NAME: AXIOM TRANSITIONS MASTER SHEET | | | |
| ACT TO DRYWALL TRANSITION AXTR7909STR/CUR | | | |
| DWG. NO. A-A003-DD-51 | REV: . | DATE: . | |
| DATE: 1/10/25 | SCALE: 3"=1'-0" | DESC.: . | |
| DRAWN BY: DAG | CHK BY: . | | |



CEILING & WALL SOLUTIONS * ARMSTRONG WORLD INDUSTRIES, INC. * Lancaster, PA * Phone: 877-ARMSTRONG



AXTR7910STR/CUR



DD-52 AXIOM 1" TRANSITION
AXTR7910STR/CUR

These drawings show typical conditions in which the Armstrong product depicted is installed. They are not a substitute for an architect's or engineer's plan and do not reflect the unique requirements of local building codes, laws, statutes, ordinances, rules and regulations (Legal Requirements) that may be applicable for a particular installation.

Armstrong does not warrant, and assumes no liability for the accuracy or completeness of the drawings for a particular installation or their fitness for a particular purpose. The user is advised to consult with a duly licensed architect or engineer in the particular locale of the installation to assure compliance with all Legal Requirements.

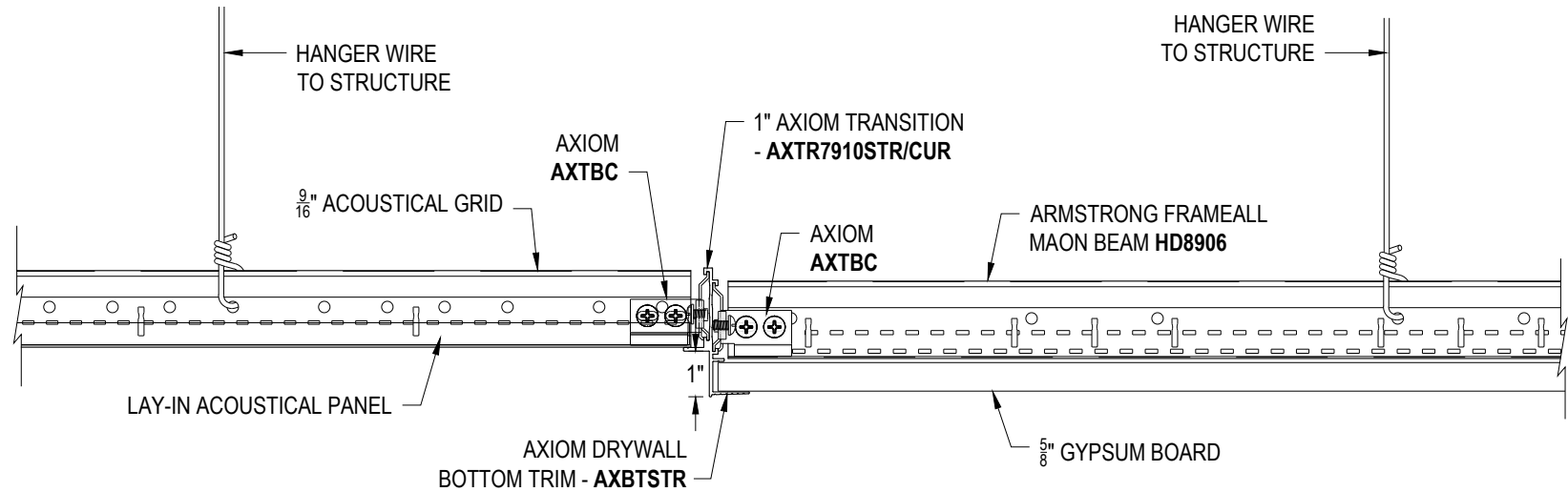
Armstrong is not licensed to provide professional architecture or engineering design services.

| | | | |
|---|-----------------|----------|---------|
| PROJECT NAME: AXIOM TRANSITIONS MASTER SHEET AXIOM 1" TRANSITION AXTR7910STR/CUR | | | |
| DWG. NO. A-A003-DD-52 | | REV: . | DATE: . |
| DATE: 1/10/25 | SCALE: 6"=1'-0" | DESC.: . | |
| DRAWN BY: DAG | CHK BY: . | | |



CEILING & WALL SOLUTIONS * ARMSTRONG WORLD INDUSTRIES, INC. * Lancaster, PA * Phone: 877-ARMSTRONG





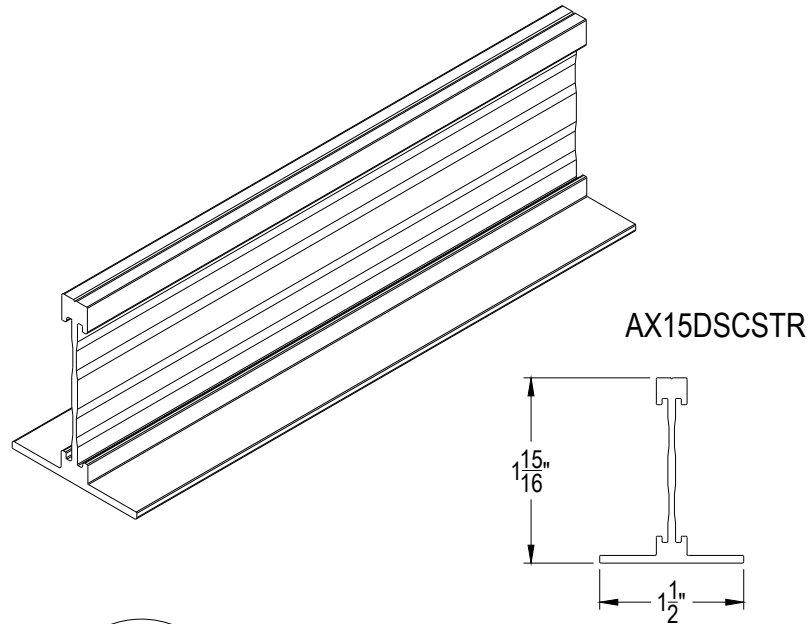
DD-53
ACT TO DRYWALL TRANSITION
AXTR7910STR/CUR

These drawings show typical conditions in which the Armstrong product depicted is installed. They are not a substitute for an architect's or engineer's plan and do not reflect the unique requirements of local building codes, laws, statutes, ordinances, rules and regulations (Legal Requirements) that may be applicable for a particular installation.

Armstrong does not warrant, and assumes no liability for the accuracy or completeness of the drawings for a particular installation or their fitness for a particular purpose. The user is advised to consult with a duly licensed architect or engineer in the particular locale of the installation to assure compliance with all Legal Requirements.

Armstrong is not licensed to provide professional architecture or engineering design services.

| | | | |
|---|------------------------|-----------|---------|
| PROJECT NAME: AXIOM TRANSITIONS MASTER SHEET | | | |
| ACT TO DRYWALL TRANSITION AXTR7910STR/CUR | | | |
| DWG. NO. A-A003-DD-53 | | REV: . | DATE: . |
| DATE: 1/10/25 | SCALE: 3"=1'-0" | DESC.: . | |
| DRAWN BY: DAG | | CHK BY: . | |



DD-54 AXIOM DOUBLE SIDED CONNECTION
AX15DSCSTR

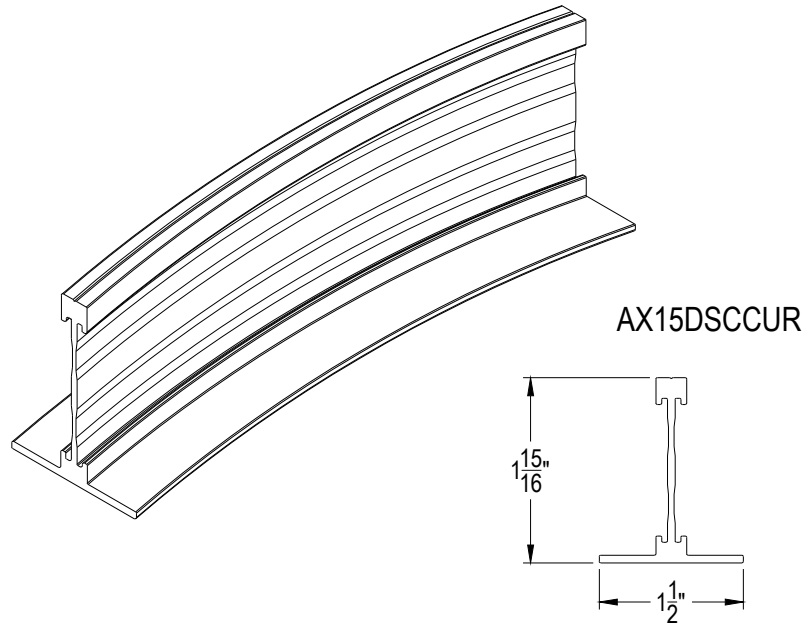
These drawings show typical conditions in which the Armstrong product depicted is installed. They are not a substitute for an architect's or engineer's plan and do not reflect the unique requirements of local building codes, laws, statutes, ordinances, rules and regulations (Legal Requirements) that may be applicable for a particular installation.

Armstrong does not warrant, and assumes no liability for the accuracy or completeness of the drawings for a particular installation or their fitness for a particular purpose. The user is advised to consult with a duly licensed architect or engineer in the particular locale of the installation to assure compliance with all Legal Requirements.

Armstrong is not licensed to provide professional architecture or engineering design services.

PROJECT NAME: AXIOM TRANSITIONS MASTER SHEET
AXIOM DOUBLE SIDED CONNECTION AX15DSCSTR

| | | | |
|-----------------------|-----------------|----------|---------|
| DWG. NO. A-A003-DD-54 | | REV: . | DATE: . |
| DATE: 1/10/25 | SCALE: 6"=1'-0" | DESC.: . | |
| DRAWN BY: DAG | CHK BY: . | | |



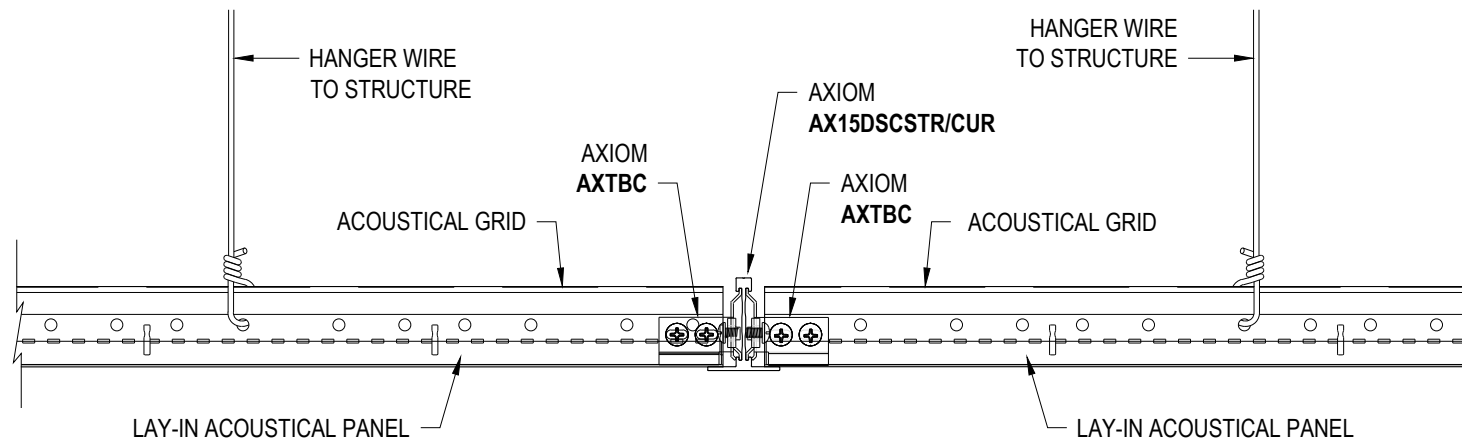
DD-55 AXIOM DOUBLE SIDED CONNECTION
AX15DSCCUR

These drawings show typical conditions in which the Armstrong product depicted is installed. They are not a substitute for an architect's or engineer's plan and do not reflect the unique requirements of local building codes, laws, statutes, ordinances, rules and regulations (Legal Requirements) that may be applicable for a particular installation.

Armstrong does not warrant, and assumes no liability for the accuracy or completeness of the drawings for a particular installation or their fitness for a particular purpose. The user is advised to consult with a duly licensed architect or engineer in the particular locale of the installation to assure compliance with all Legal Requirements.

Armstrong is not licensed to provide professional architecture or engineering design services.

| | | | |
|--|-----------------|----------|---------|
| PROJECT NAME: AXIOM TRANSITIONS MASTER SHEET AXIOM DOUBLE SIDED CONNECTION AX15DSCCUR | | | |
| DWG. NO. A-A003-DD-55 | | REV: . | DATE: . |
| DATE: 1/10/25 | SCALE: 6"=1'-0" | DESC.: . | |
| DRAWN BY: DAG | CHK BY: . | | |



DD-56

ACT TO ACT TRANSITION
AX15DSCSTR/CUR

These drawings show typical conditions in which the Armstrong product depicted is installed. They are not a substitute for an architect's or engineer's plan and do not reflect the unique requirements of local building codes, laws, statutes, ordinances, rules and regulations (Legal Requirements) that may be applicable for a particular installation.

Armstrong does not warrant, and assumes no liability for the accuracy or completeness of the drawings for a particular installation or their fitness for a particular purpose. The user is advised to consult with a duly licensed architect or engineer in the particular locale of the installation to assure compliance with all Legal Requirements.

Armstrong is not licensed to provide professional architecture or engineering design services.

| | | | |
|---|------------------------|--------|----------|
| PROJECT NAME: AXIOM TRANSITIONS MASTER SHEET | | | |
| ACT TO ACT TRANSITION AX15DSCSTR/CUR | | | |
| DWG. NO. A-A003-DD-56 | | REV: . | DATE: . |
| DATE: 1/10/25 | SCALE: 3"=1'-0" | | DESC.: . |
| DRAWN BY: DAG | CHK BY: . | | |



CEILING & WALL SOLUTIONS * ARMSTRONG WORLD INDUSTRIES, INC. * Lancaster, PA * Phone: 877-ARMSTRONG

