

AXIOM VECTOR TRIM MASTER SHEET

| SHEET # | DETAIL # | DRAWING |
|---------|--------------|----------------------------------------------------|
| 2 | A-A008-MS-01 | MASTER SHEET |
| 3 | A-A008-MS-02 | MASTER SHEET |
| 4 | A-A008-MS-03 | MASTER SHEET |
| 5 | A-A008-DD-01 | AXIOM VECTOR TRIM |
| 6 | A-A008-DD-02 | AXIOM VECTOR TRIM INVERTED |
| 7 | A-A008-DD-03 | AXIOM VECTOR OUTSIDE CORNER POST |
| 8 | A-A008-DD-04 | AXIOM VECTOR CONNECTION WITH AXTBC |
| 9 | A-A008-DD-05 | AXIOM VECTOR SPLICED WITH AXSPICE2 |
| 10 | A-A008-DD-06 | AXIOM VECTOR INSIDE CORNER AXVEQSI |
| 11 | A-A008-DD-07 | AXIOM VECTOR OUTSIDE CORNER AXVEQSOS |
| 12 | A-A008-DD-08 | ACOUSTICAL WITH AXIOM VECTOR AX2VESTR/CUR |
| 13 | A-A008-DD-09 | ACOUSTICAL WITH AXIOM VECTOR AX2VESTR/CUR INVERTED |
| 14 | A-A008-DD-10 | ACOUSTICAL WITH AXIOM VECTOR AX4VESTR/CUR |
| 15 | A-A008-DD-11 | ACOUSTICAL WITH AXIOM VECTOR AX4VESTR/CUR INVERTED |
| 16 | A-A008-DD-12 | ACOUSTICAL WITH AXIOM VECTOR AX6VESTR/CUR |
| 17 | A-A008-DD-13 | ACOUSTICAL WITH AXIOM VECTOR AX6VESTR/CUR INVERTED |
| 18 | A-A008-DD-14 | ACOUSTICAL WITH AXIOM VECTOR AX8VESTR/CUR |
| 19 | A-A008-DD-15 | ACOUSTICAL WITH AXIOM VECTOR AX8VESTR/CUR INVERTED |
| 20 | A-A008-DD-16 | 6" AXIOM VECTOR ASSEMBLY WW LINEAR VENEERED PANELS |
| 21 | A-A008-DD-17 | 6" AXIOM VECTOR ASSEMBLY WW CONCEALED |
| 22 | A-A008-DD-18 | 6" AXIOM VECTOR ASSEMBLY WW GRILLE 3 1/4" |
| 23 | A-A008-DD-19 | 6" AXIOM VECTOR ASSEMBLY WW LINEAR PLANKS |
| 24 | A-A008-DD-20 | 6" AXIOM VECTOR ASSEMBLY MW TORSION SPRING |
| 25 | A-A008-DD-21 | 6" AXIOM VECTOR ASSEMBLY MW LINEAR |
| 26 | A-A008-DD-22 | 6" AXIOM VECTOR ASSEMBLY MW LINEAR SYNCHRO |

These drawings show typical conditions in which the Armstrong product depicted is installed. They are not a substitute for an architect's or engineer's plan and do not reflect the unique requirements of local building codes, laws, statutes, ordinances, rules and regulations (Legal Requirements) that may be applicable for a particular installation.

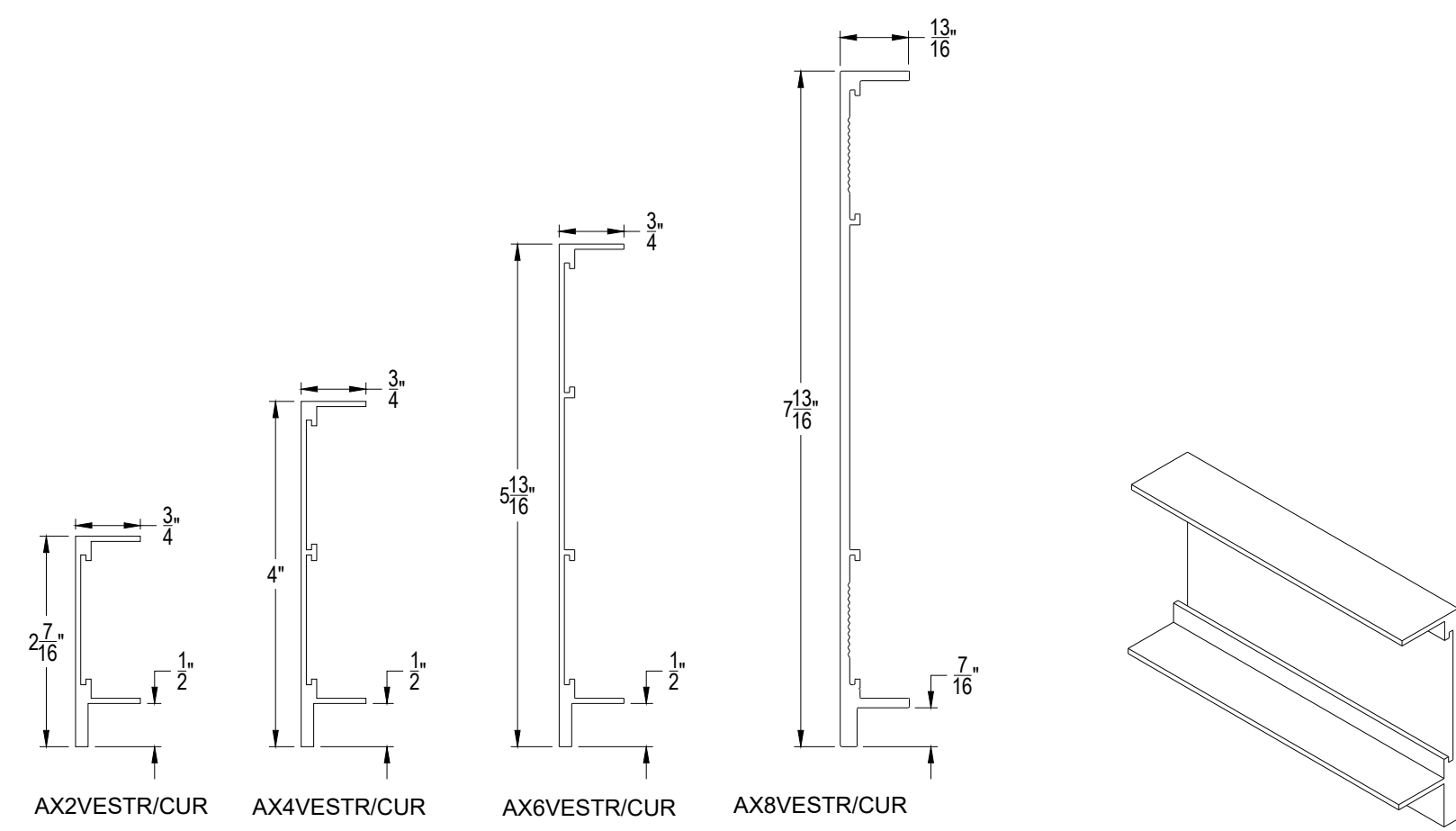
Armstrong does not warrant, and assumes no liability for the accuracy or completeness of the drawings for a particular installation or their fitness for a particular purpose. The user is advised to consult with a duly licensed architect or engineer in the particular locale of the installation to assure compliance with all Legal Requirements.

Armstrong is not licensed to provide professional architecture or engineering design services.

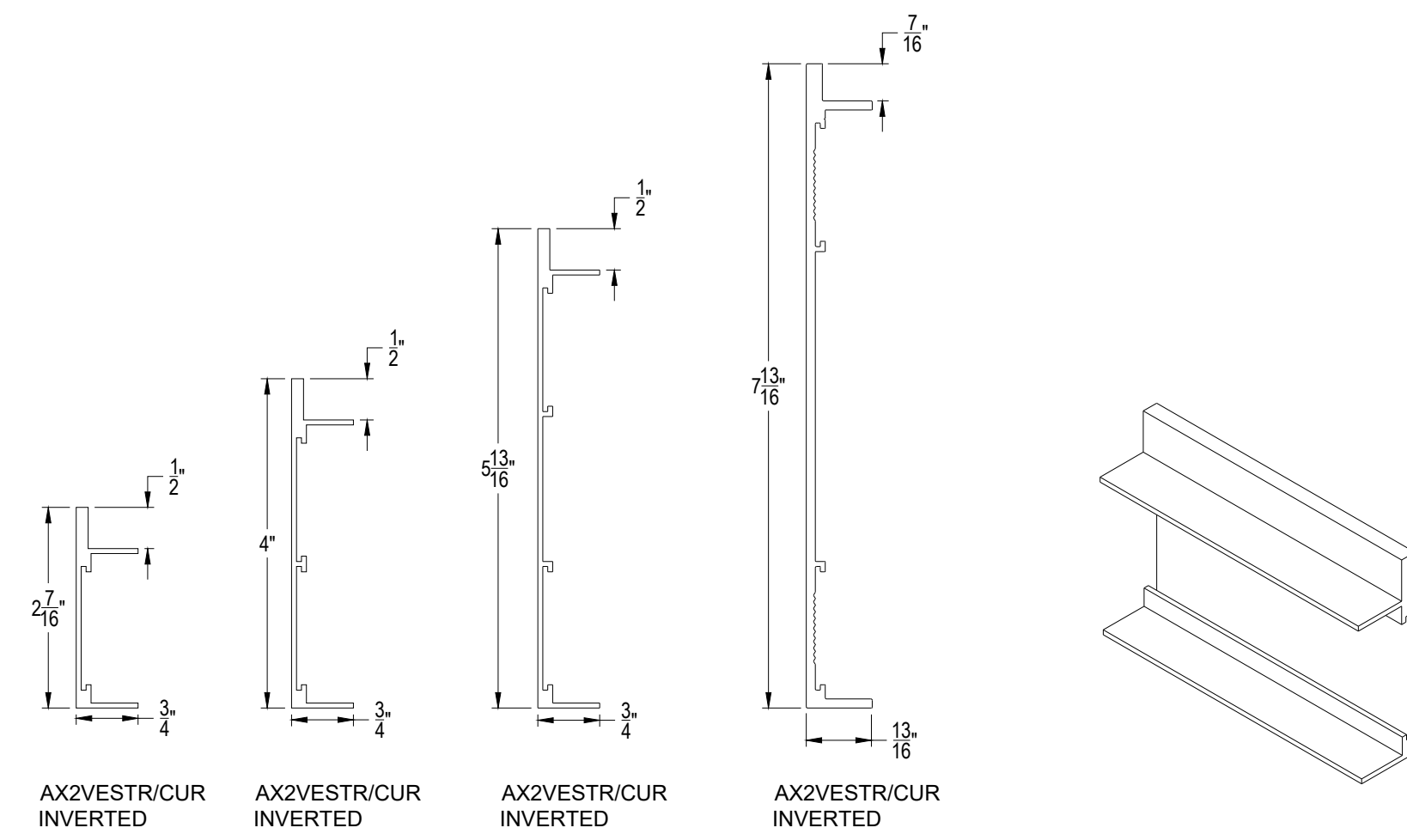
PROJECT NAME: **AXIOM VECTOR TRIM MASTER SHEET**

| | | | |
|------------------------------|-----------|----------|---------|
| DWG. NO. A-A008-MS-00 | | REV: . | DATE: . |
| DATE: 1/14/25 | SCALE: . | DESC.: . | |
| DRAWN BY: DAG | CHK BY: . | | |

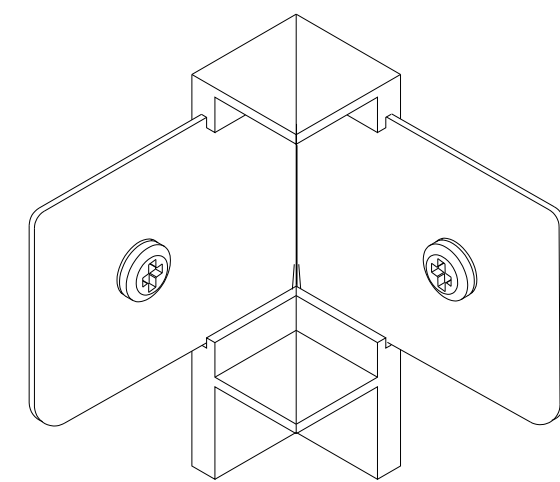




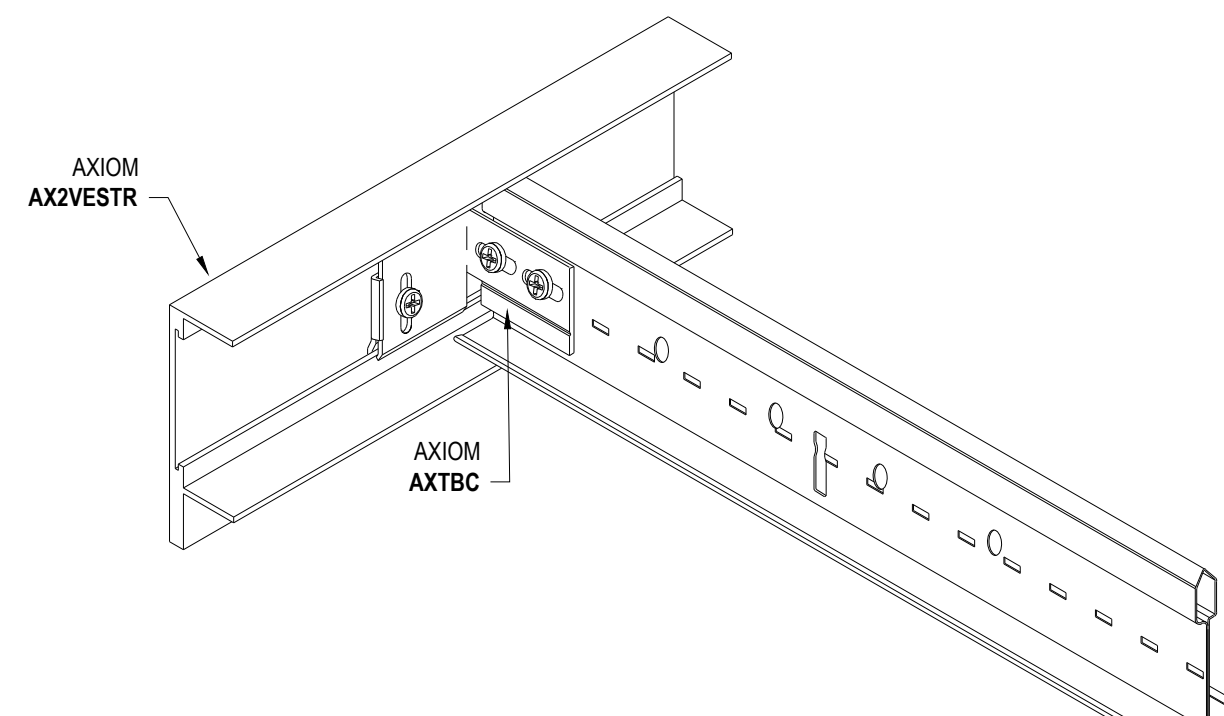
DD-01 AXIOM VECTOR TRIM



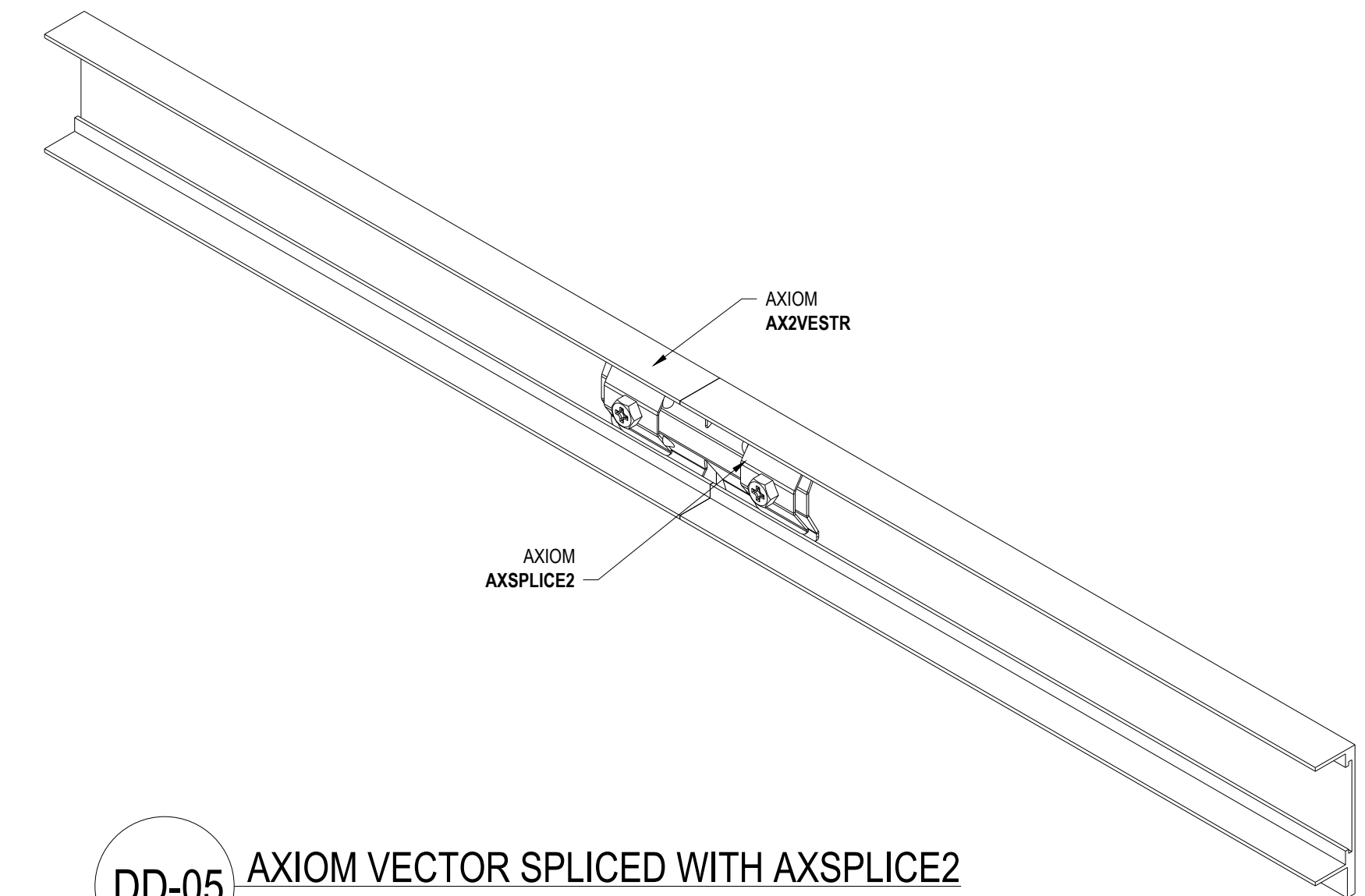
DD-02 AXIOM VECTOR TRIM INVERTED



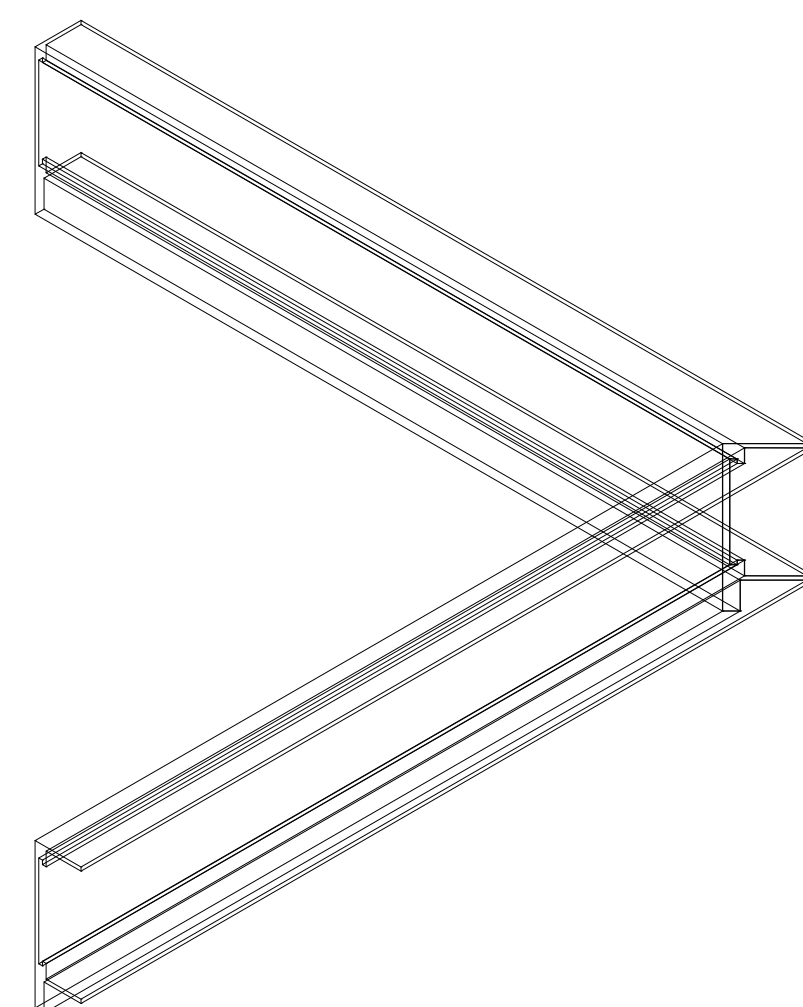
DD-03 AXIOM VECTOR OUTSIDE CORNER POST



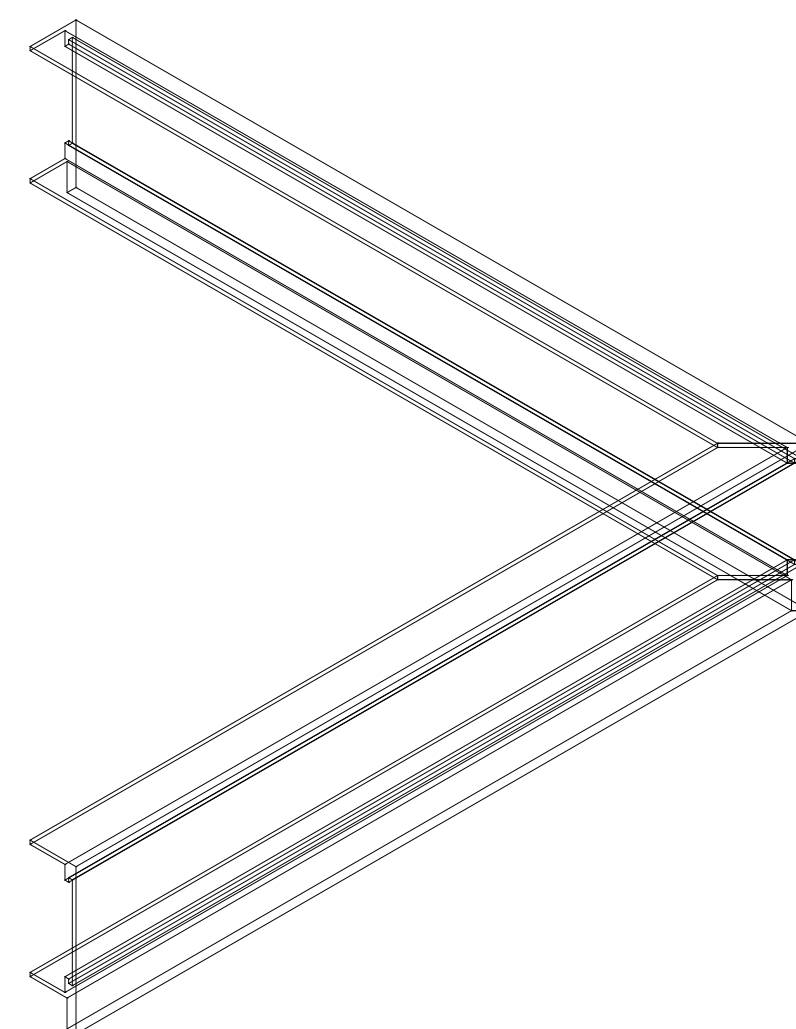
DD-04 AXIOM VECTOR CONNECTION WITH AXTBC



DD-05 AXIOM VECTOR SPLICED WITH AXSPLICE2

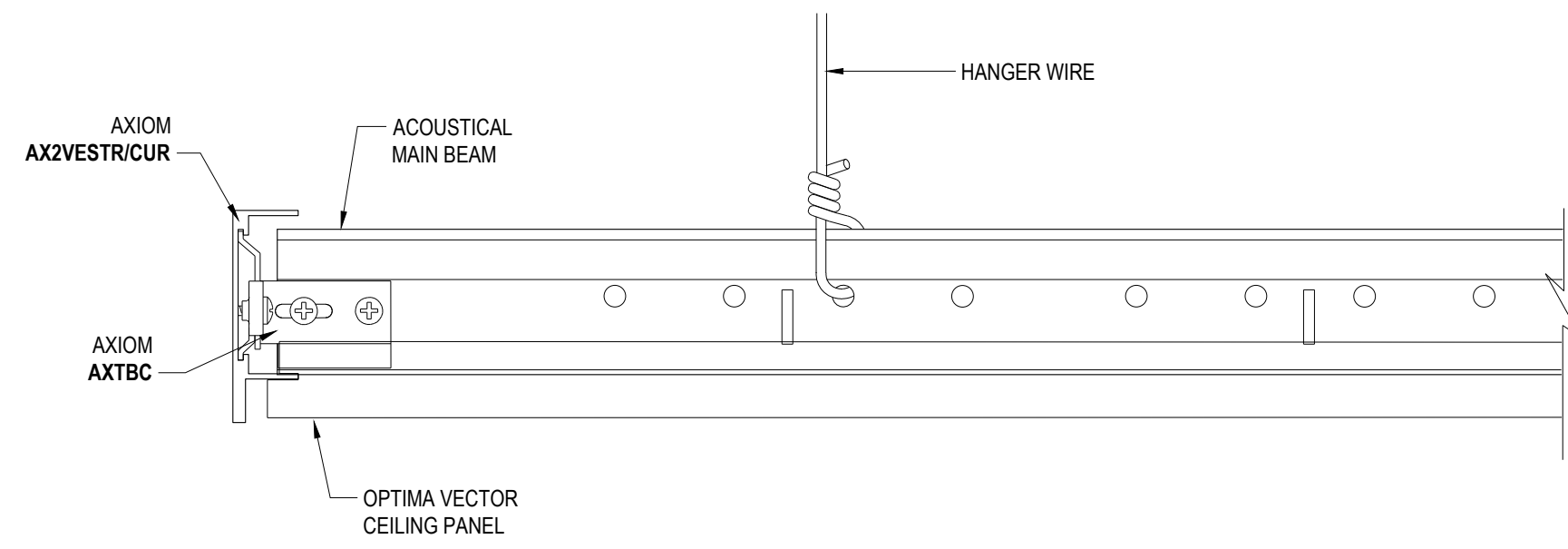


DD-06 AXIOM VECTOR INSIDE CORNER AXVEQIS

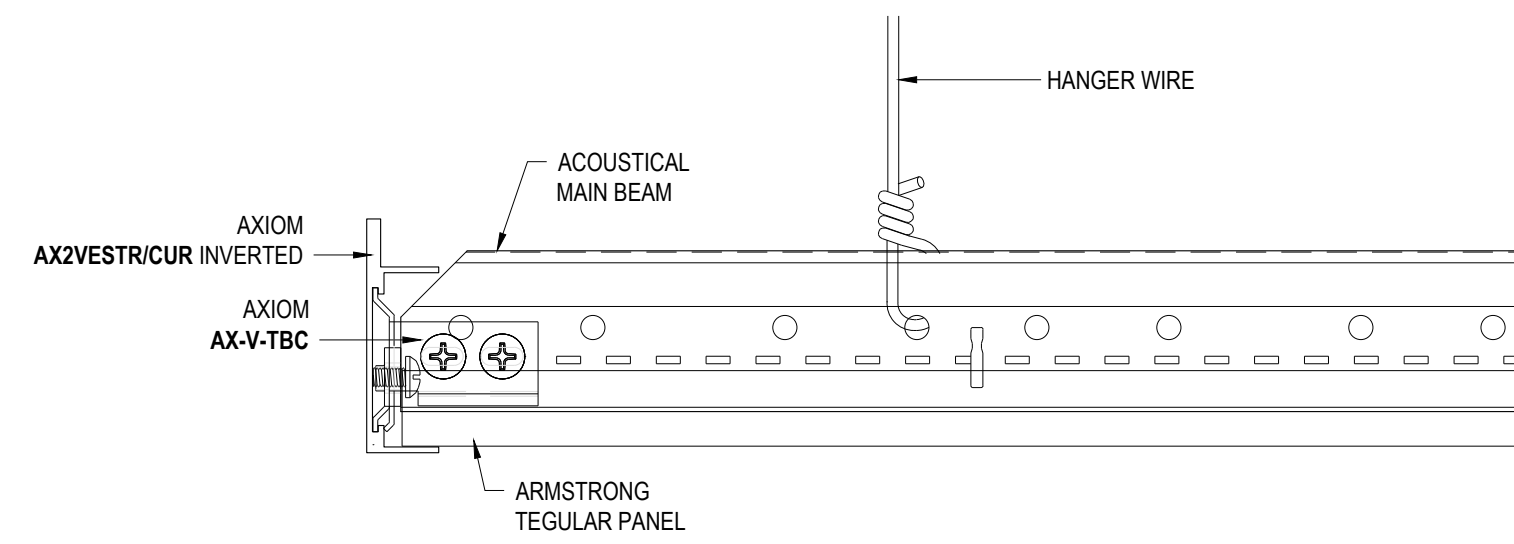


DD-07 AXIOM VECTOR OUTSIDE CORNER AXVEQS

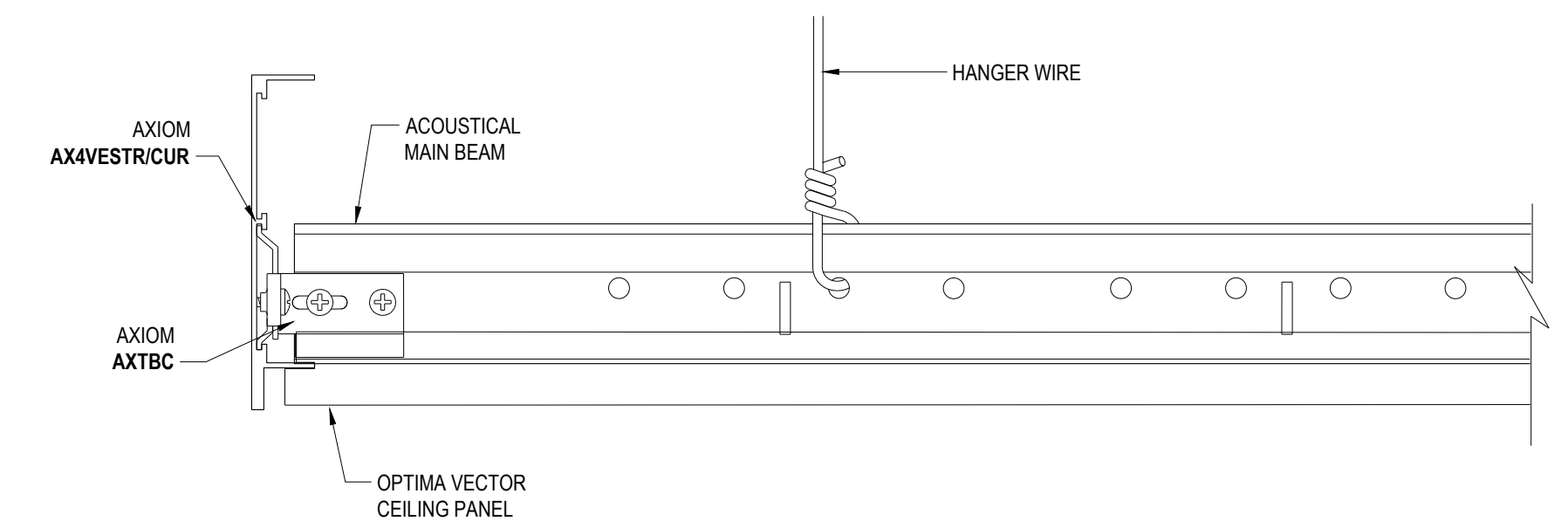
| | | | |
|------------------------------------------------------------------------------------------------------------------------------------------------------------------------------------------------------------------------------------------------------------------------------------------------------------------------------------------------------------------------|-----------------------|----------------------------------------------|-----------|
| <small>These drawings show typical conditions in which the Armstrong product depicted is installed. They are not a substitute for an architect's or engineer's plan and do not reflect the unique requirements of local building codes, laws, ordinances, rules and regulations (Legal Requirements) that may be applicable for a particular installation.</small> | | PROJECT NAME: AXIOM VECTOR TRIM MASTER SHEET | |
| <small>Armstrong does not warrant, and assumes no liability for the accuracy or completeness of the drawings for a particular installation or their fitness for a particular purpose. The user is advised to consult with a duly licensed architect or engineer in the particular locale of the installation to assure compliance with all Legal Requirements.</small> | DWG. NO: A-A008-MS-01 | REV: . . | DATE: . . |
| <small>Armstrong is not licensed to provide professional architecture or engineering design services.</small> | DATE: 1/14/25 | SCALE: | DESC.: |
| Tech | DRAWN BY: DAG | CHK BY: | |
| ARMSTRONG CEILING SYSTEMS * ARMSTRONG WORLD INDUSTRIES, INC. * Lancaster, PA * Phone: 877-ARMSTRONG | | | |



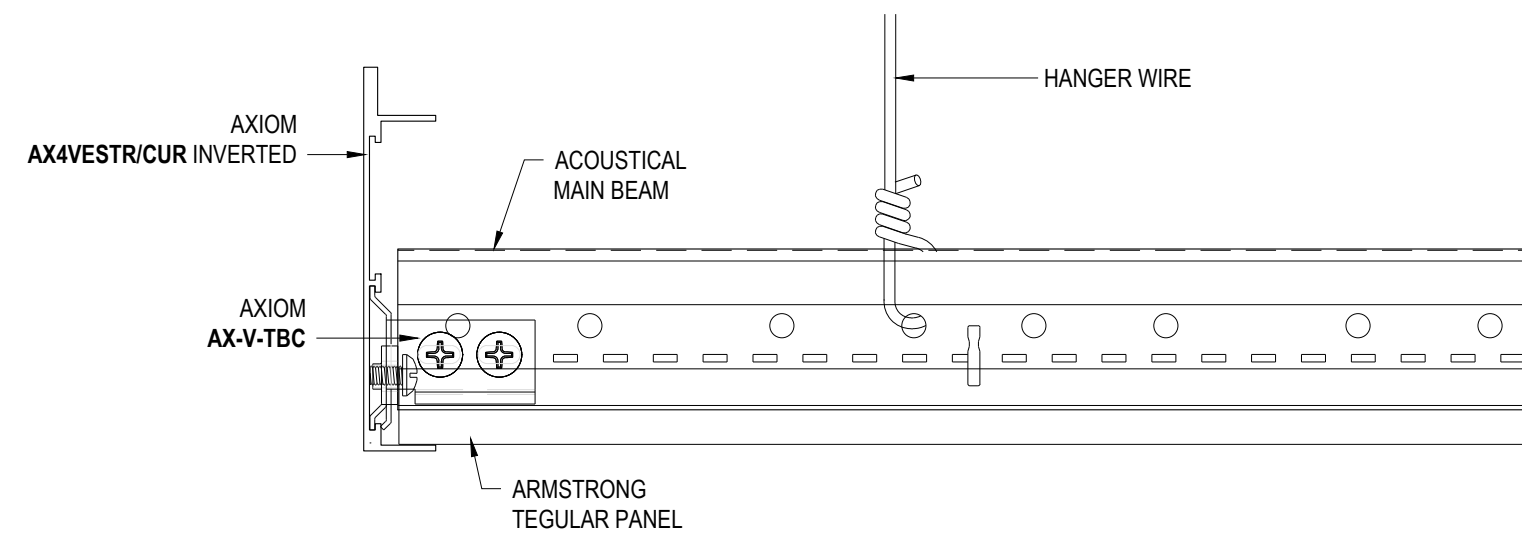
DD-08 ACOUSTICAL WITH AXIOM VECTOR AX2VESTR/CUR



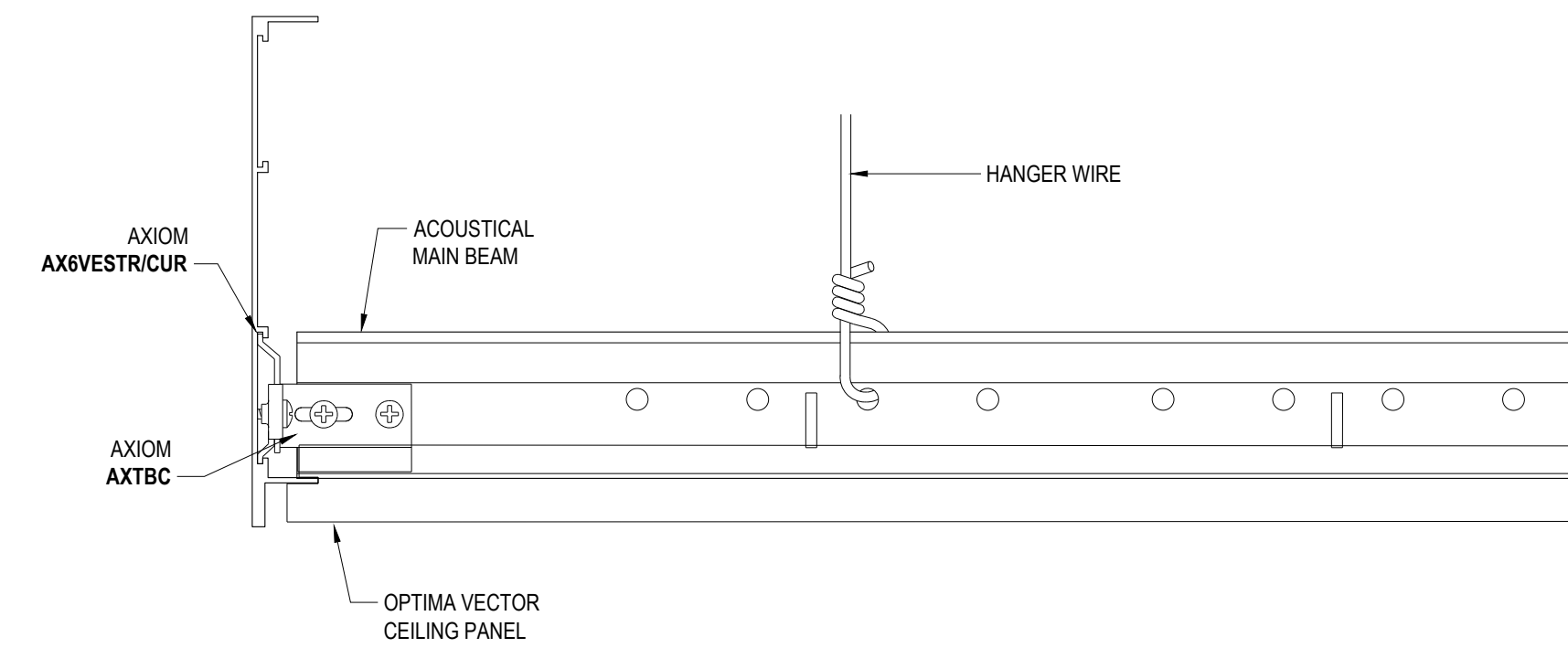
DD-09 ACOUSTICAL WITH AXIOM VECTOR AX2VESTR/CUR INVERTED



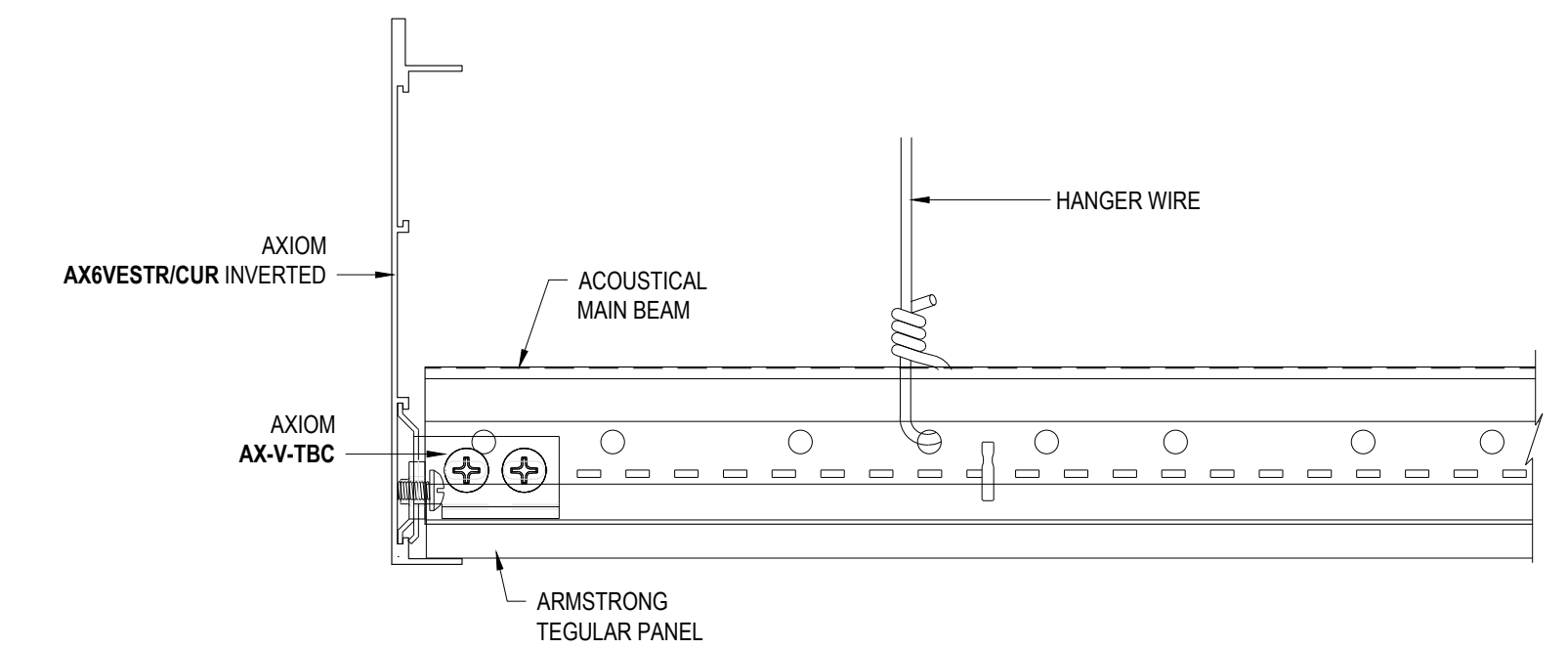
DD-10 ACOUSTICAL WITH AXIOM VECTOR AX4VESTR/CUR



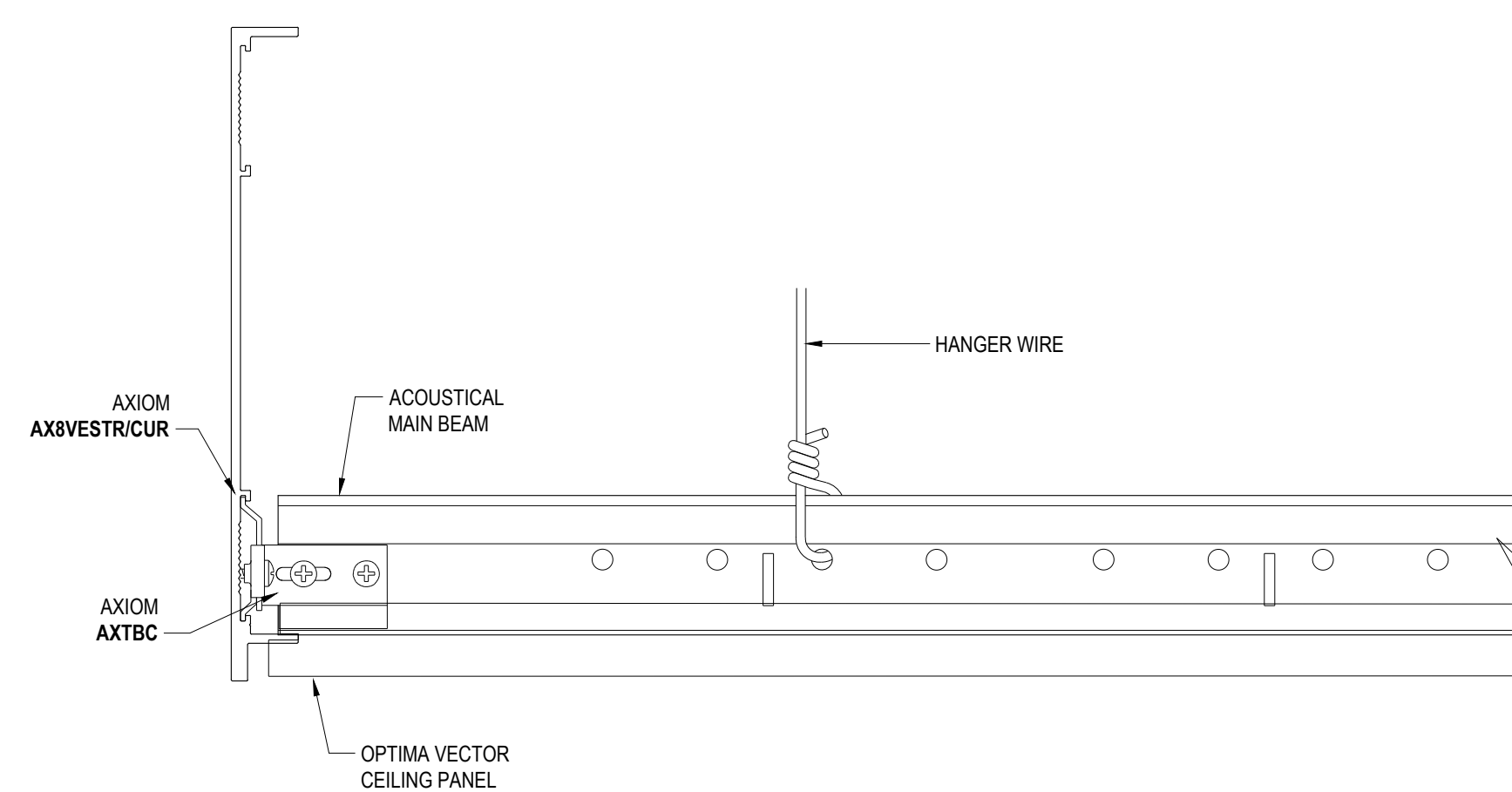
DD-11 ACOUSTICAL WITH AXIOM VECTOR AX4VESTR/CUR INVERTED



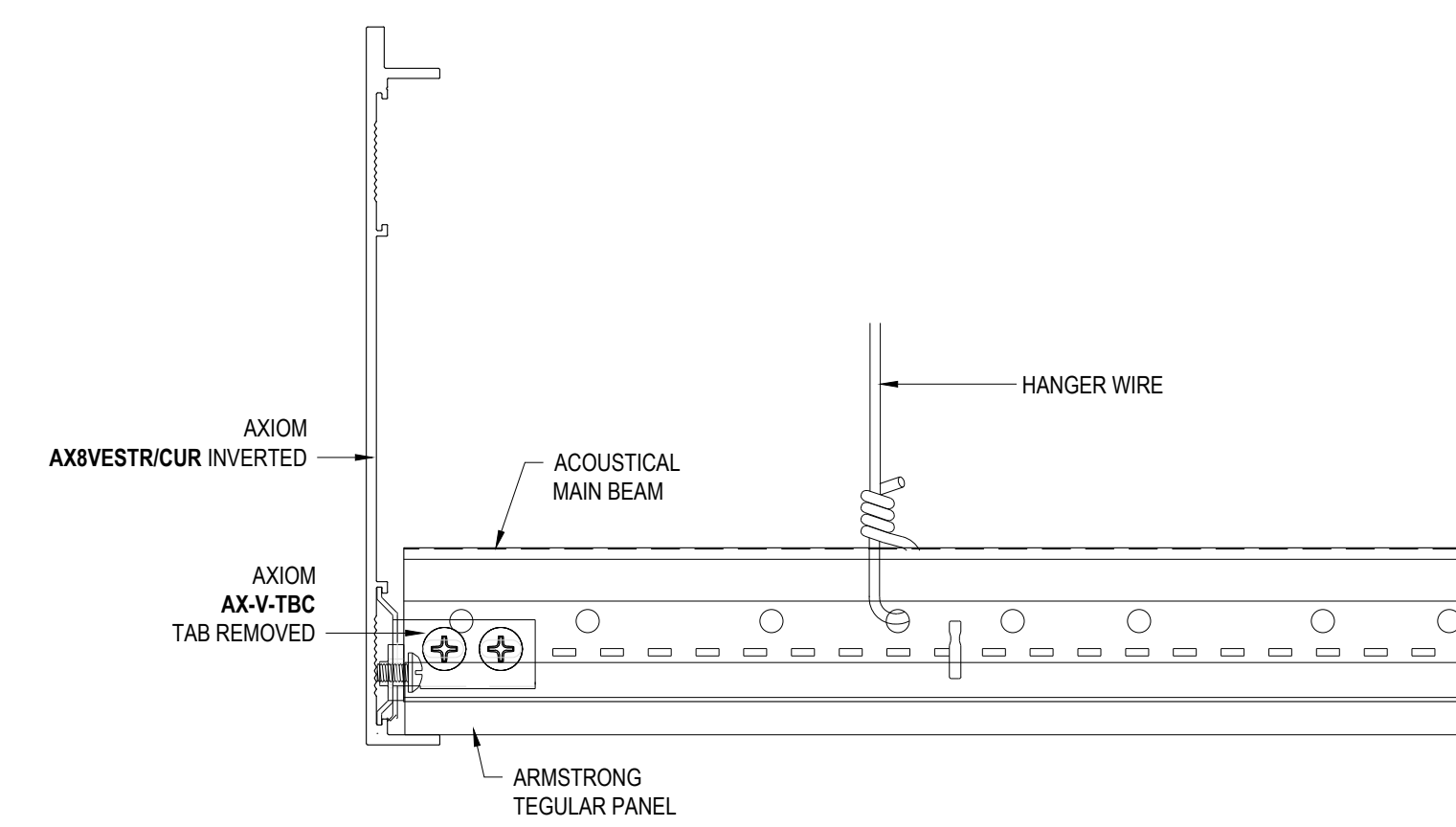
DD-12 ACOUSTICAL WITH AXIOM VECTOR AX6VESTR/CUR



DD-13 ACOUSTICAL WITH AXIOM VECTOR AX6VESTR/CUR INVERTED



DD-14 ACOUSTICAL WITH AXIOM VECTOR AX8VESTR/CUR



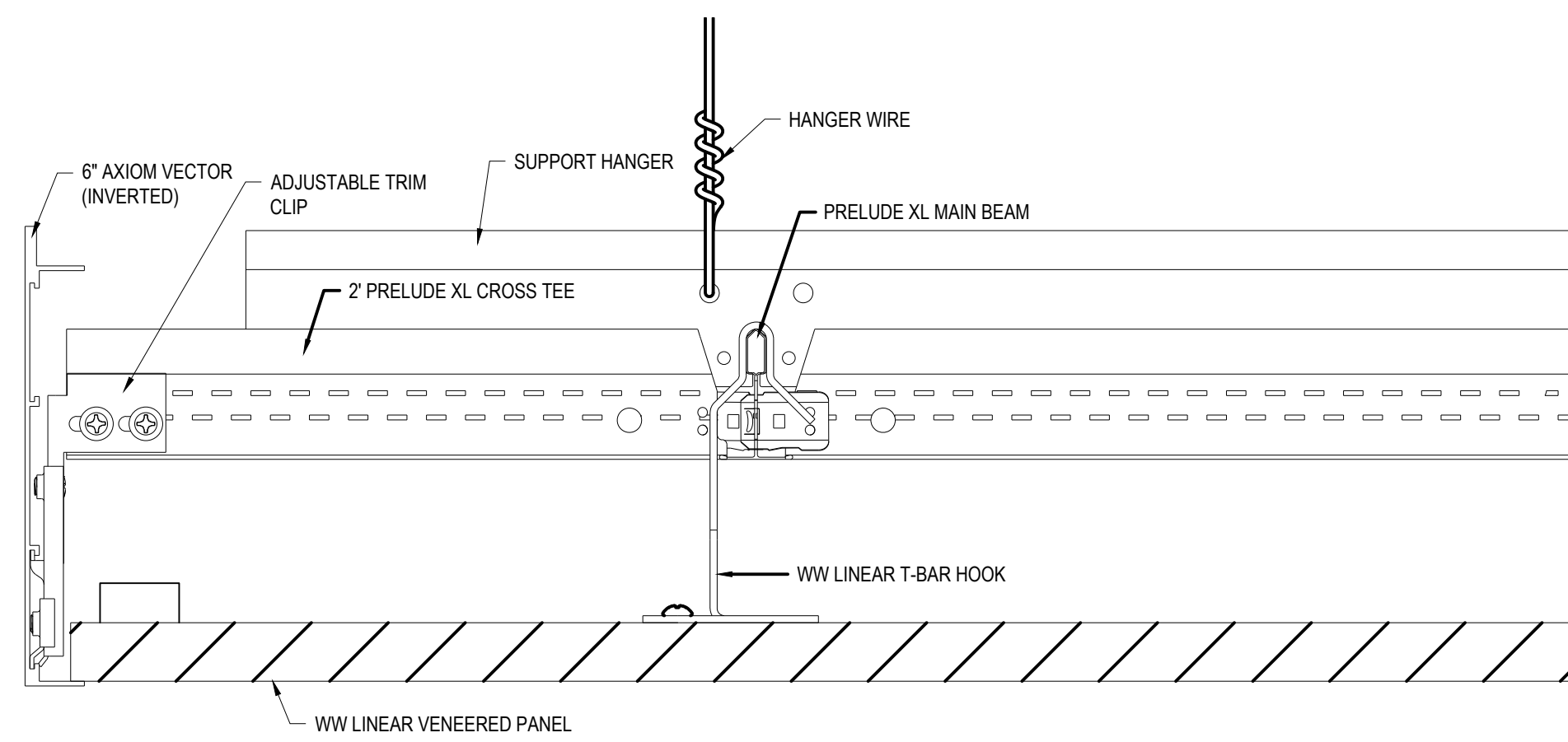
DD-15 ACOUSTICAL WITH AXIOM VECTOR AX8VESTR/CUR INVERTED

These drawings show typical conditions in which the Armstrong product depicted is installed. They are not a substitute for an architect's or engineer's plan and do not reflect the unique requirements of local building codes, laws, ordinances, rules and regulations (Legal Requirements) that may be applicable for a particular installation.

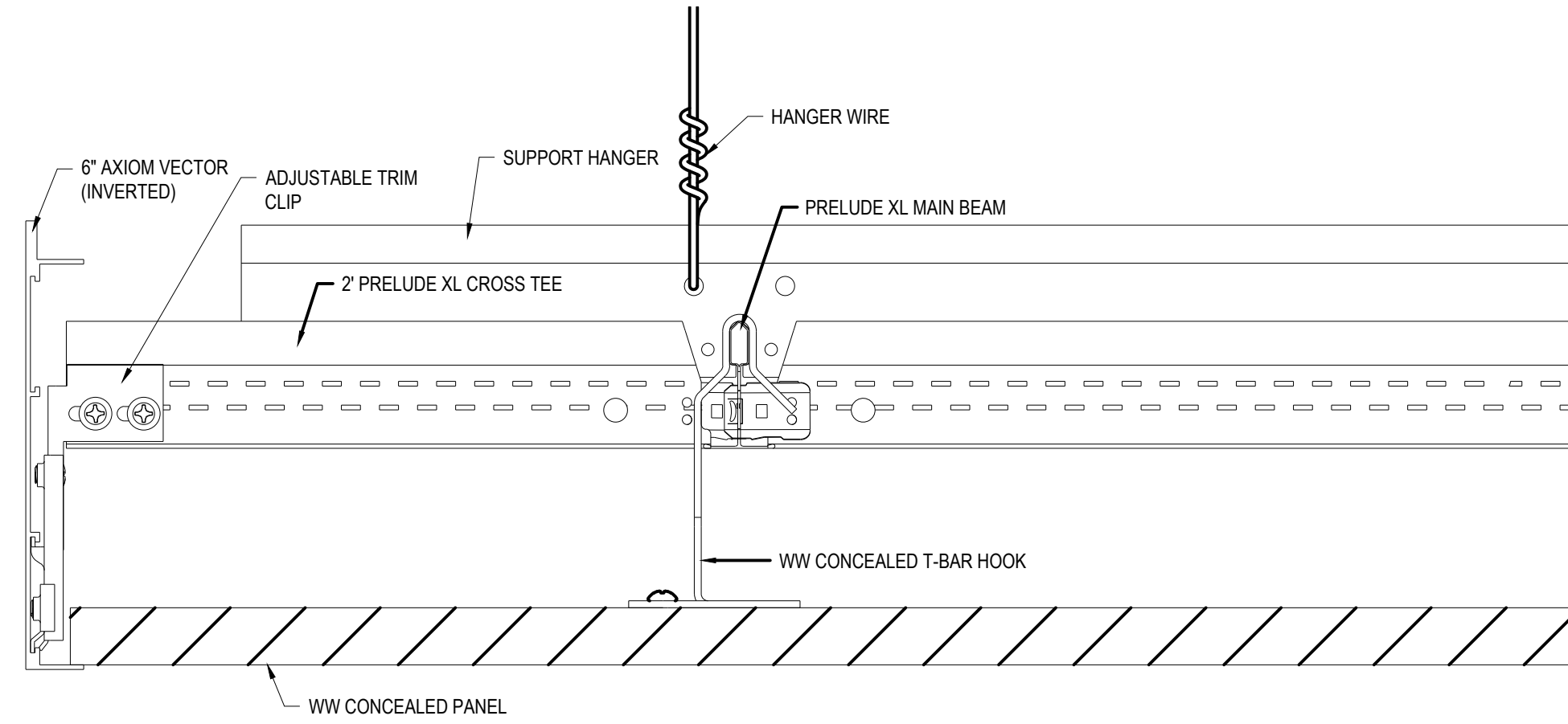
Armstrong does not warrant, and assumes no liability for the accuracy or completeness of the drawings for a particular installation or their fitness for a particular purpose. The user is advised to consult with a duly licensed architect or engineer in the particular locale of the installation to assure compliance with all Legal Requirements.

Armstrong is not licensed to provide professional architecture or engineering design services.

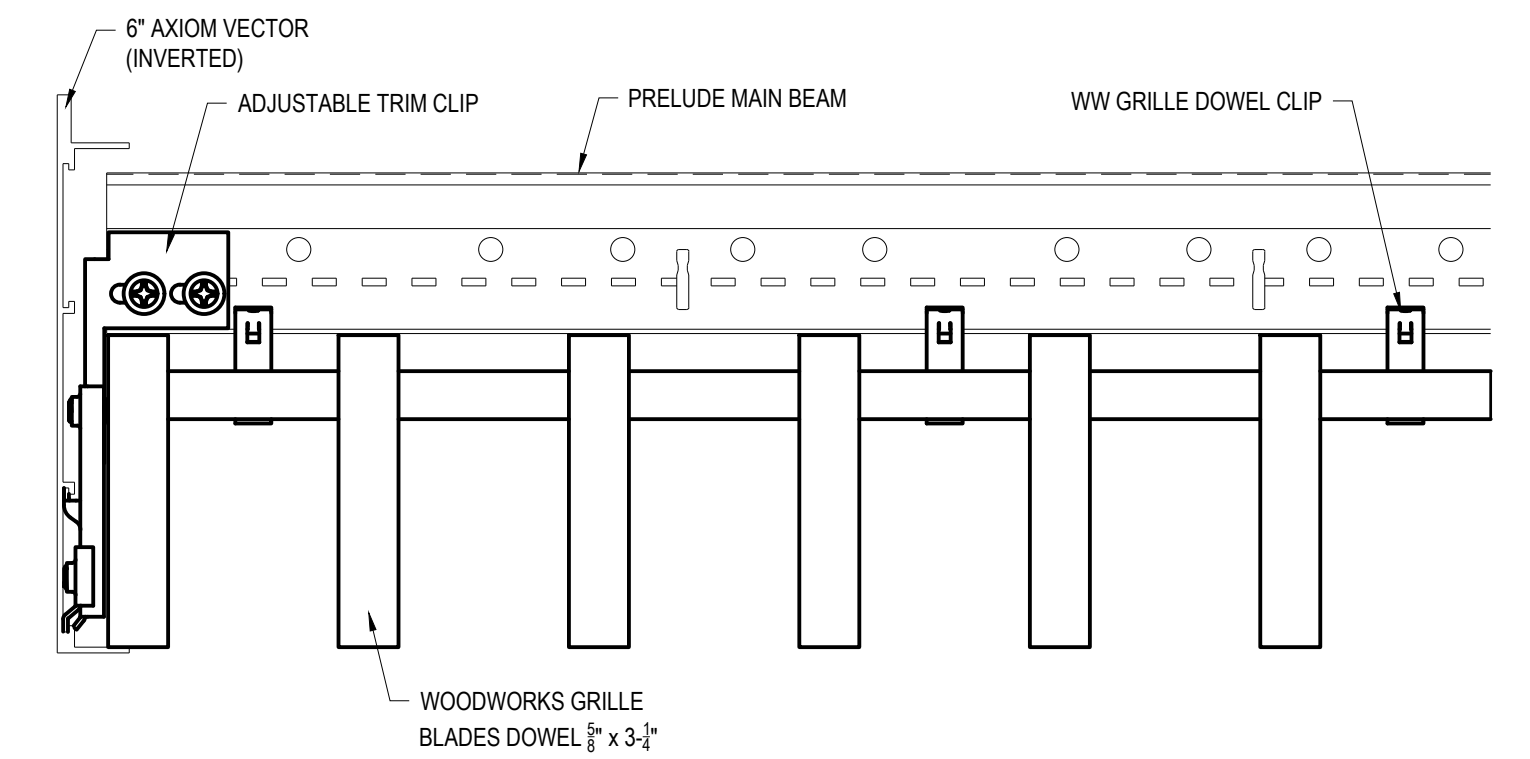
| | | | |
|----------------------------------------------|-----------|---------|--|
| PROJECT NAME: AXIOM VECTOR TRIM MASTER SHEET | | | |
| DWG. NO: A-A008-MS-02 | REV: . | DATE: . | |
| DATE: 1/14/25 | SCALE: . | DESC: . | |
| DRAWN BY: DAG | CHK BY: . | | |



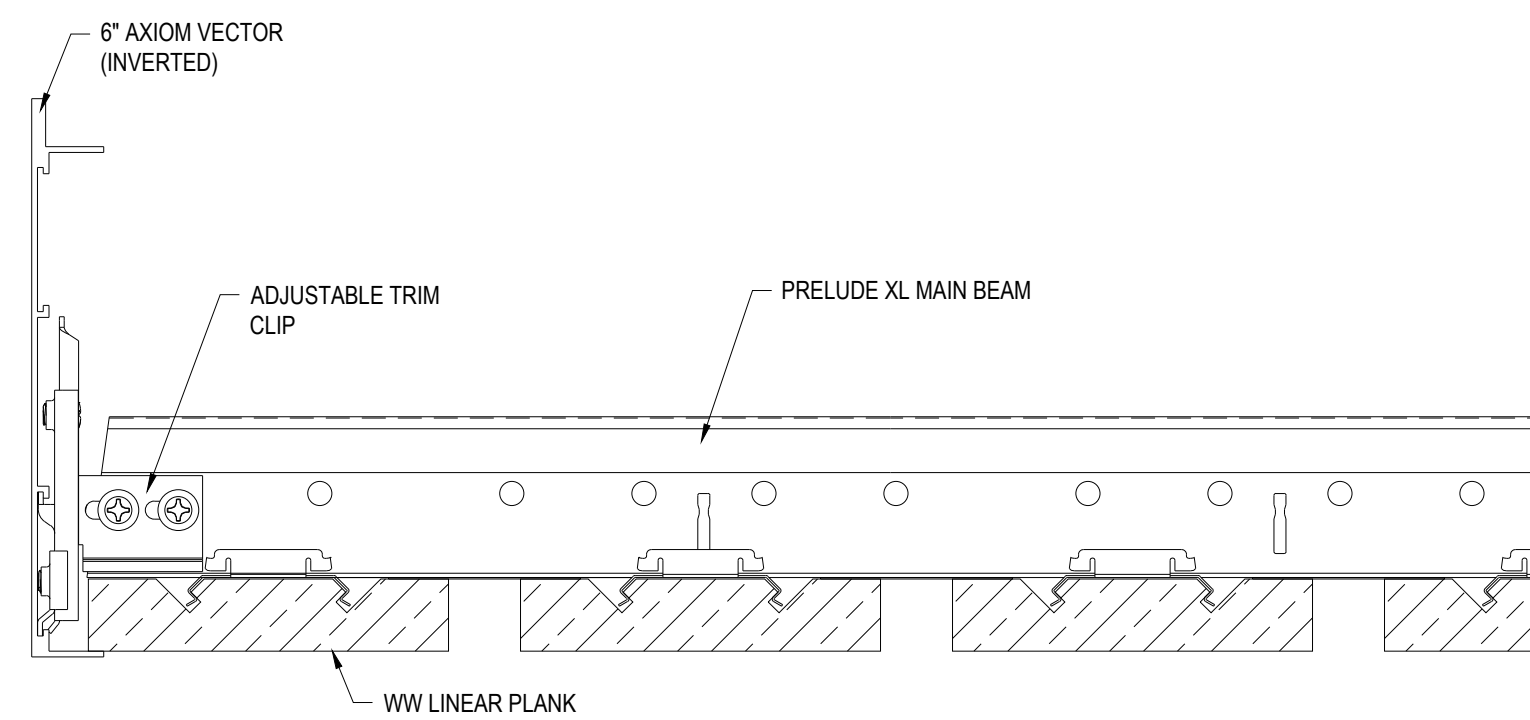
DD-16 6" AXIOM VECTOR ASSEMBLY WW LINEAR VENEERED PANELS



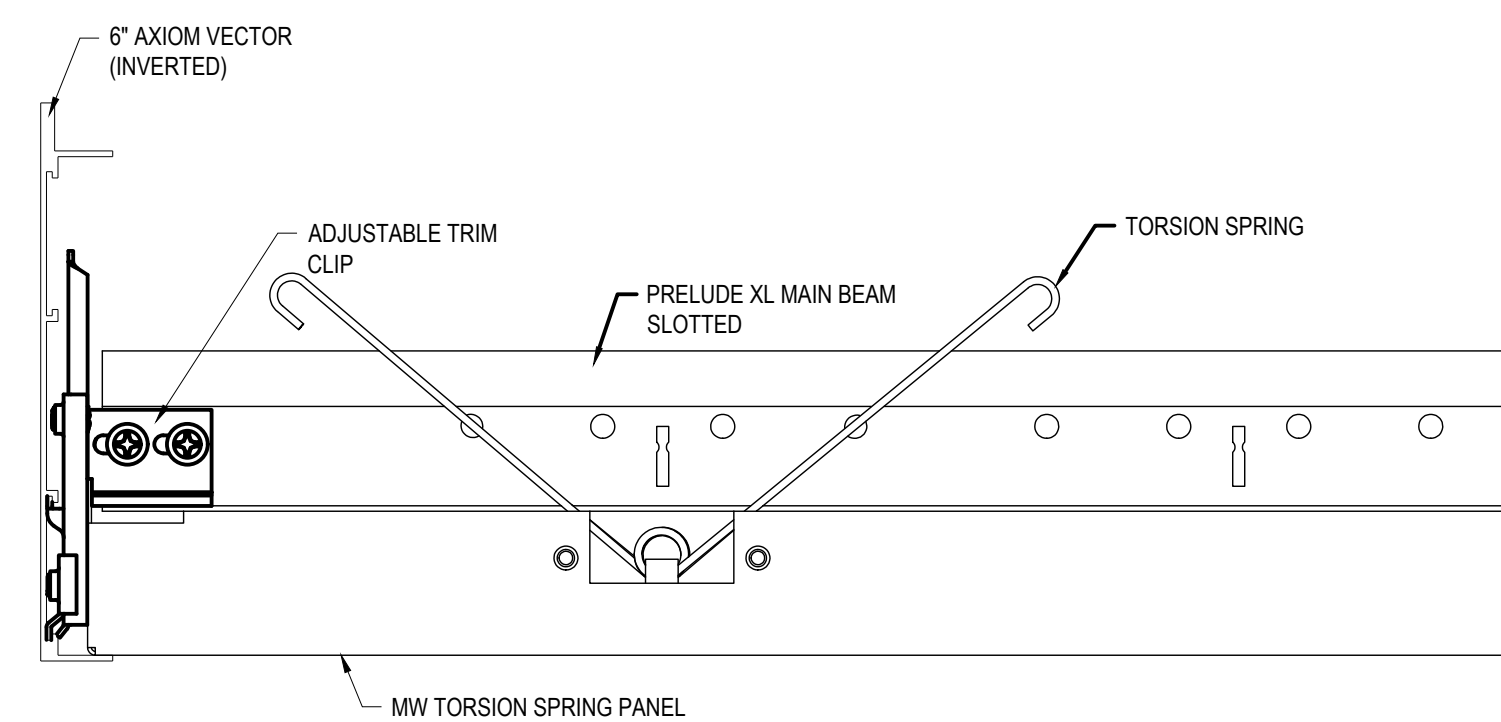
DD-17 6" AXIOM VECTOR ASSEMBLY WW CONCEALED



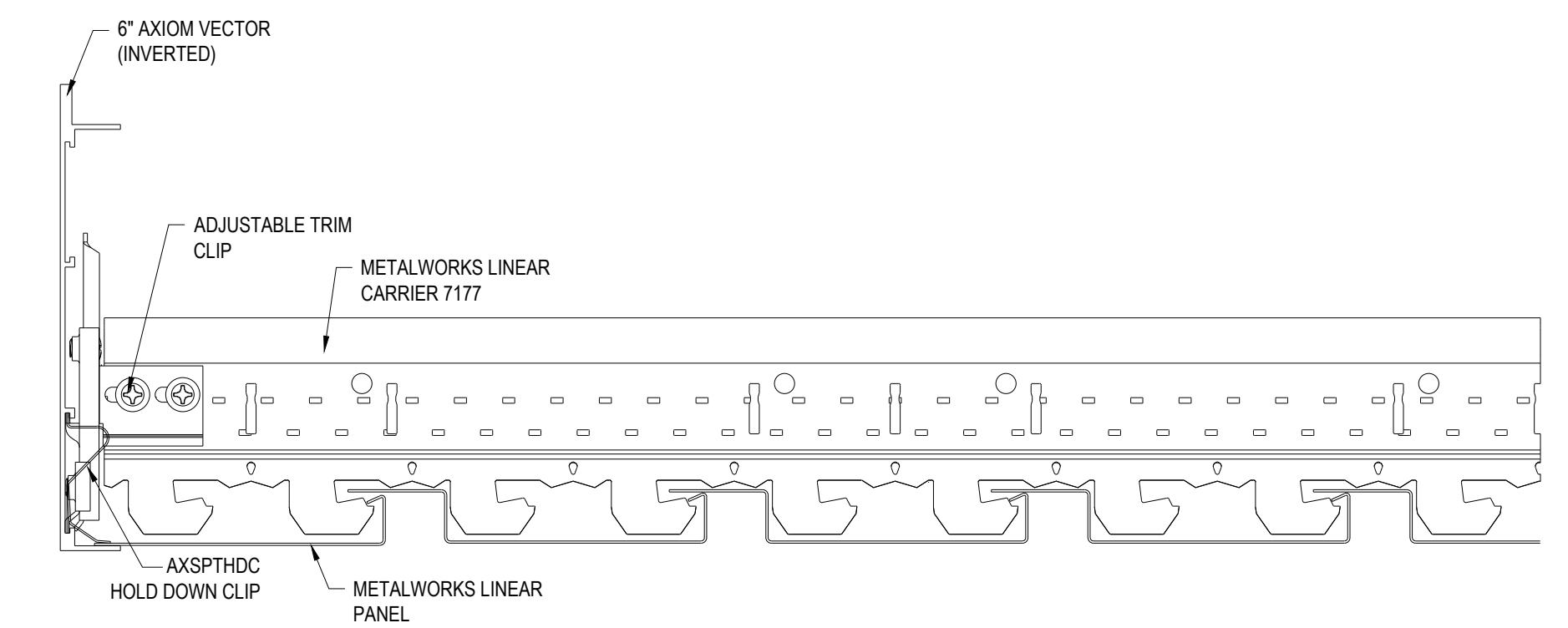
DD-18 6" AXIOM VECTOR ASSEMBLY WW GRILLE 3 1/4"



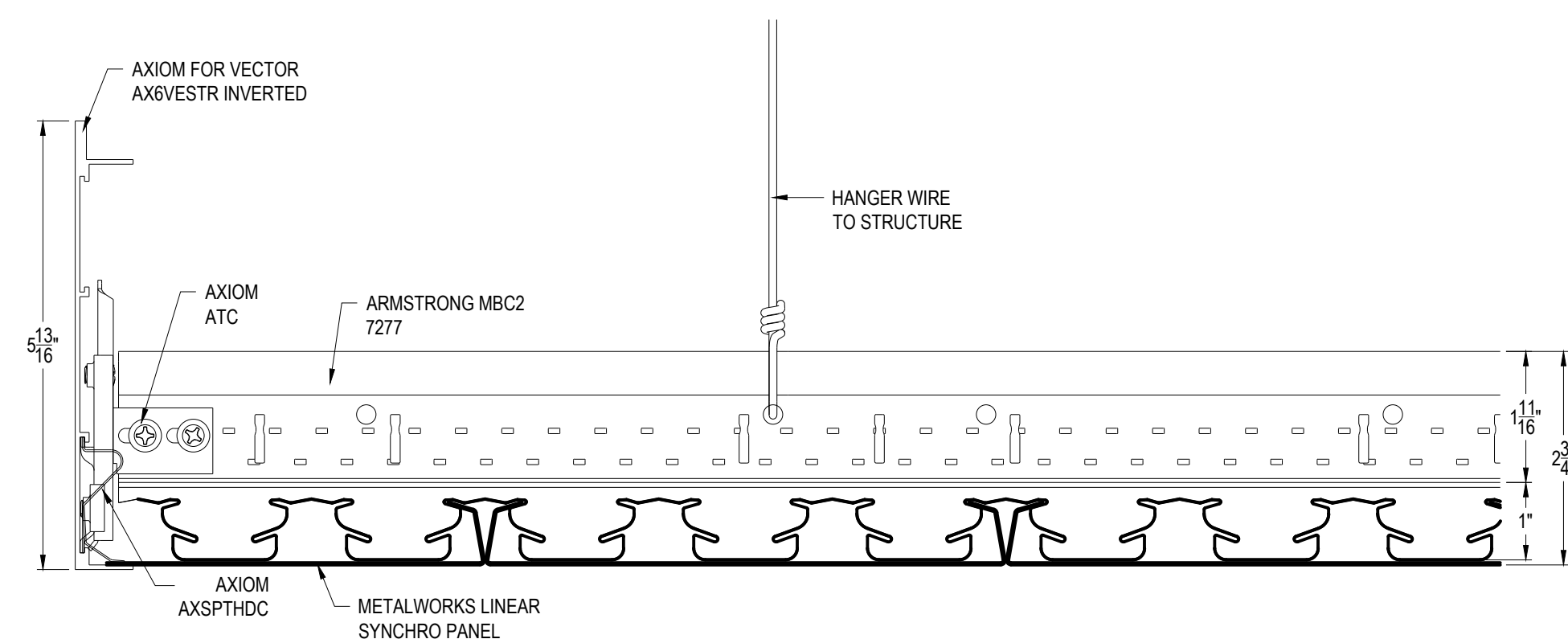
DD-19 6" AXIOM VECTOR ASSEMBLY WW LINEAR PLANKS



DD-20 6" AXIOM VECTOR ASSEMBLY MW TORSION SPRING

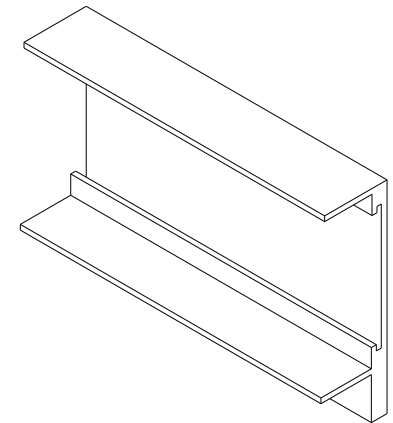
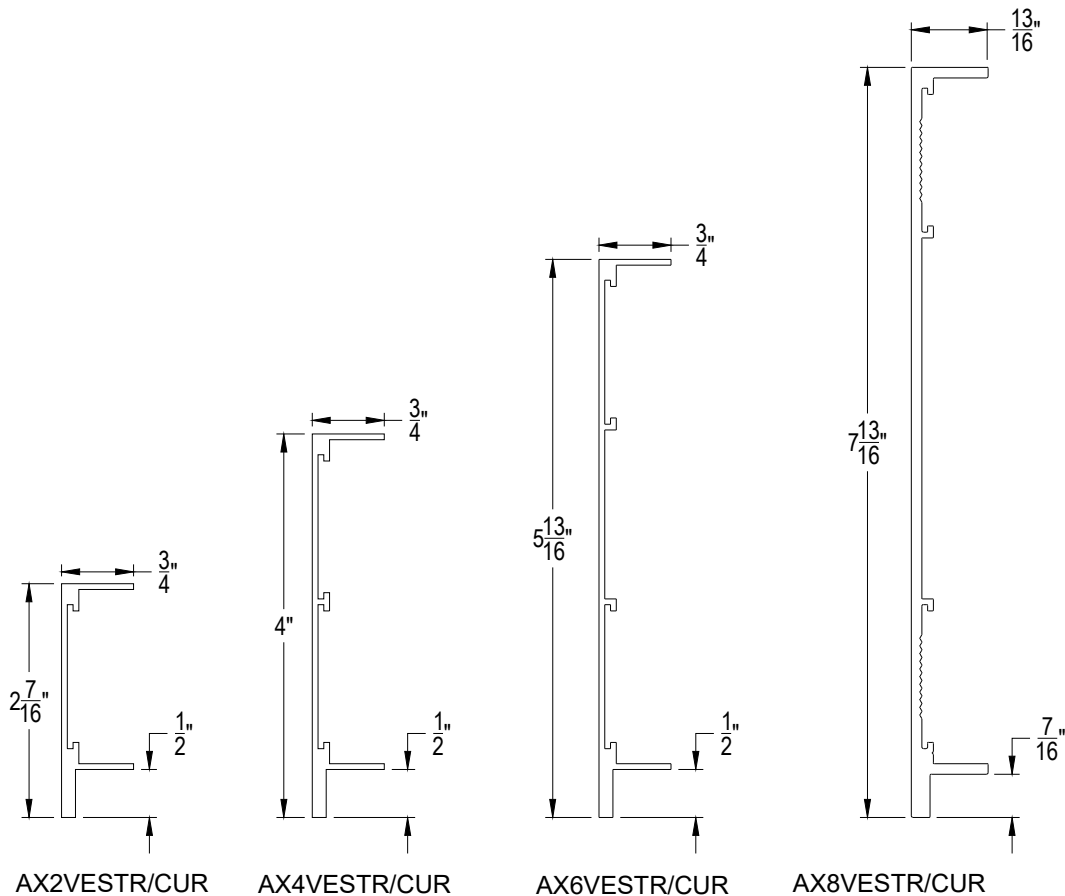


DD-21 6" AXIOM VECTOR ASSEMBLY MW LINEAR



DD-22 6" AXIOM VECTOR ASSEMBLY MW LINEAR SYNCHRO

| | | | |
|------------------------------------------------------------------------------------------------------------------------------------------------------------------------------------------------------------------------------------------------------------------------------------------------------------------------------------------------------------------------|--|-------------------------------|--|
| <small>These drawings show typical conditions in which the Armstrong product depicted is installed. They are not a substitute for an architect's or engineer's plan and do not reflect the unique requirements of local building codes, laws, ordinances, rules and regulations (Legal Requirements) that may be applicable for a particular installation.</small> | | | |
| <small>Armstrong does not warrant, and assumes no liability for the accuracy or completeness of the drawings for a particular installation or their fitness for a particular purpose. The user is advised to consult with a duly licensed architect or engineer in the particular locale of the installation to assure compliance with all Legal Requirements.</small> | | | |
| <small>Armstrong is not licensed to provide professional architecture or engineering design services.</small> | | | |
| Project Name: AXIOM VECTOR TRIM MASTER SHEET | | DWG. NO.: A-A008-MS-03 | |
| Date: 1/14/25 | | Scale: | |
| Drawn By: DAG | | CHK By: | |
| Rev: . | | Date: . | |
| | | | |



DD-01 AXIOM VECTOR TRIM

These drawings show typical conditions in which the Armstrong product depicted is installed. They are not a substitute for an architect's or engineer's plan and do not reflect the unique requirements of local building codes, laws, statutes, ordinances, rules and regulations (Legal Requirements) that may be applicable for a particular installation.

Armstrong does not warrant, and assumes no liability for the accuracy or completeness of the drawings for a particular installation or their fitness for a particular purpose. The user is advised to consult with a duly licensed architect or engineer in the particular locale of the installation to assure compliance with all Legal Requirements.

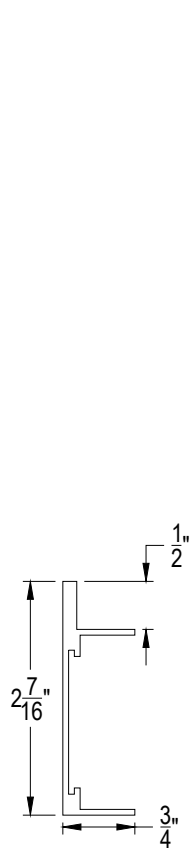
Armstrong is not licensed to provide professional architecture or engineering design services.

| | | | |
|-----------------------------------------------------|------------------------|----------|---------|
| PROJECT NAME: AXIOM VECTOR TRIM MASTER SHEET | | | |
| AXIOM VECTOR TRIM | | | |
| DWG. NO. A-A008-DD-01 | | REV: . | DATE: . |
| DATE: 1/14/25 | SCALE: 6"=1'-0" | DESC.: . | |
| DRAWN BY: DAG | CHK BY: . | | |

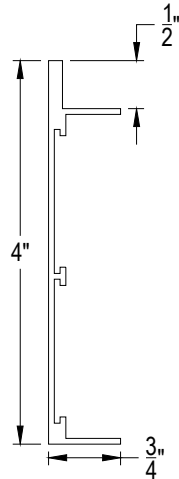


CEILING & WALL SOLUTIONS * ARMSTRONG WORLD INDUSTRIES, INC. * Lancaster, PA * Phone: 877-ARMSTRONG

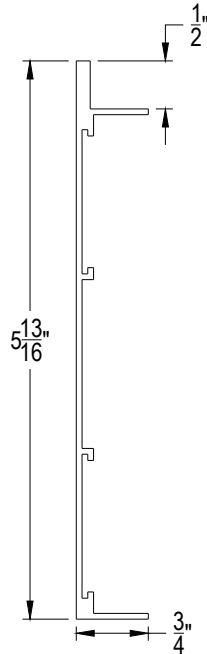




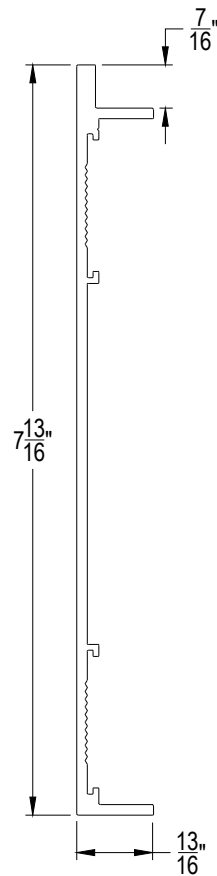
AX2VESTR/CUR
INVERTED



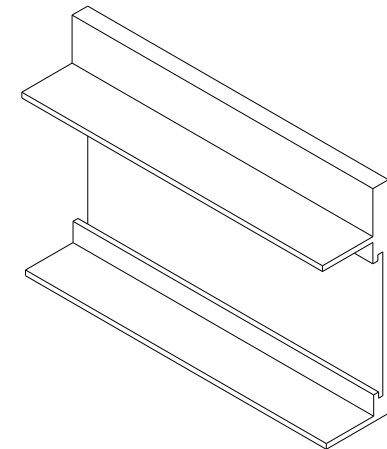
AX2VESTR/CUR
INVERTED



AX2VESTR/CUR
INVERTED



AX2VESTR/CUR
INVERTED



DD-02 AXIOM VECTOR TRIM INVERTED

These drawings show typical conditions in which the Armstrong product depicted is installed. They are not a substitute for an architect's or engineer's plan and do not reflect the unique requirements of local building codes, laws, statutes, ordinances, rules and regulations (Legal Requirements) that may be applicable for a particular installation.

Armstrong does not warrant, and assumes no liability for the accuracy or completeness of the drawings for a particular installation or their fitness for a particular purpose. The user is advised to consult with a duly licensed architect or engineer in the particular locale of the installation to assure compliance with all Legal Requirements.

Armstrong is not licensed to provide professional architecture or engineering design services.

PROJECT NAME: **AXIOM VECTOR TRIM MASTER SHEET**
AXIOM VECTOR TRIM INVERTED

DWG. NO. **A-A008-DD-02**

REV: . DATE: .

DATE: **1/14/25**

SCALE: **6"=1'-0"**

DESC.: .

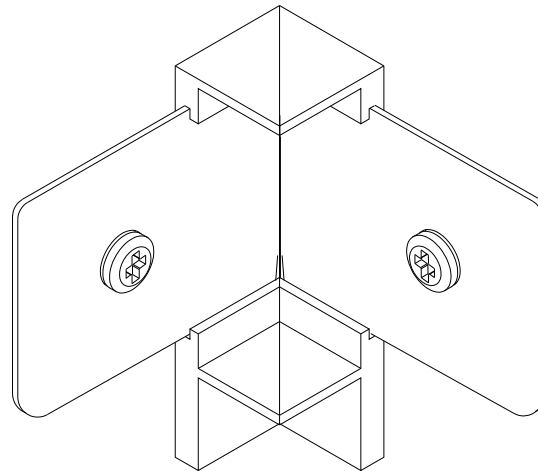
DRAWN BY: **DAG**

CHK BY: .



CEILING & WALL SOLUTIONS * ARMSTRONG WORLD INDUSTRIES, INC. * Lancaster, PA * Phone: 877-ARMSTRONG





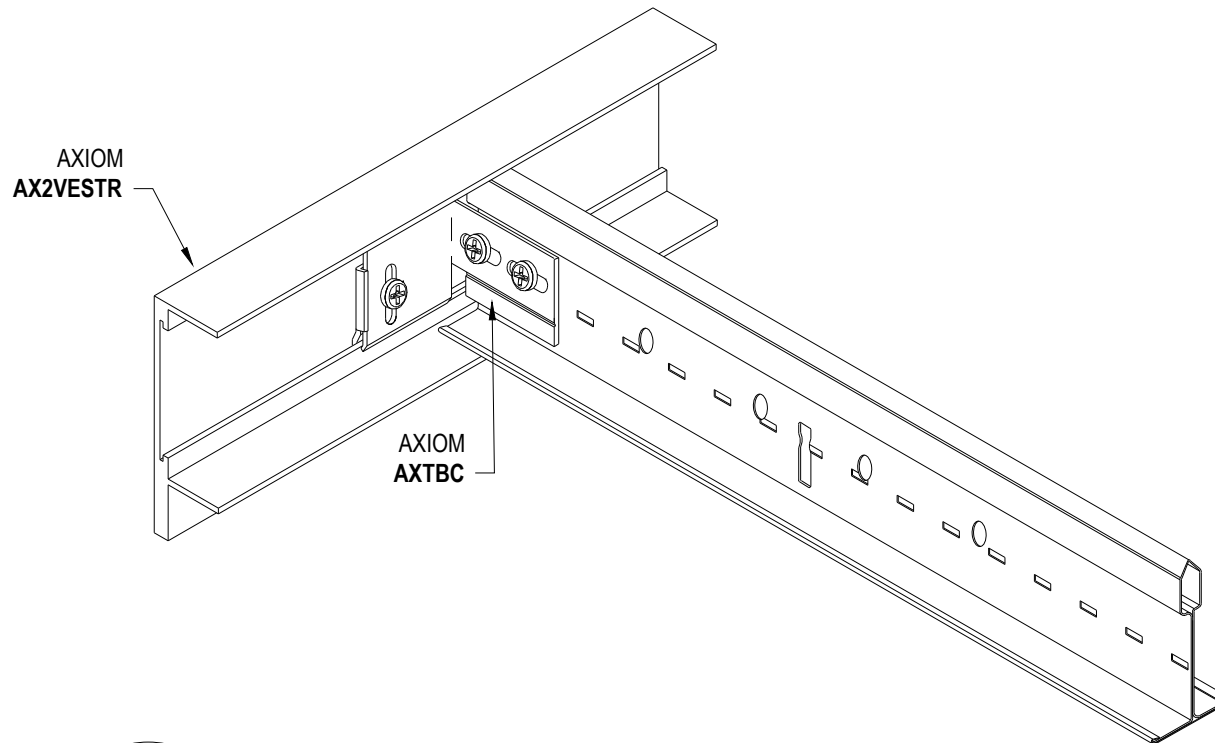
DD-03 AXIOM VECTOR OUTSIDE CORNER POST

These drawings show typical conditions in which the Armstrong product depicted is installed. They are not a substitute for an architect's or engineer's plan and do not reflect the unique requirements of local building codes, laws, statutes, ordinances, rules and regulations (Legal Requirements) that may be applicable for a particular installation.

Armstrong does not warrant, and assumes no liability for the accuracy or completeness of the drawings for a particular installation or their fitness for a particular purpose. The user is advised to consult with a duly licensed architect or engineer in the particular locale of the installation to assure compliance with all Legal Requirements.

Armstrong is not licensed to provide professional architecture or engineering design services.

| | | | |
|-----------------------------------------------------|------------------------|----------|---------|
| PROJECT NAME: AXIOM VECTOR TRIM MASTER SHEET | | | |
| AXIOM VECTOR OUTSIDE CORNER POST | | | |
| DWG. NO. A-A008-DD-03 | | REV: . | DATE: . |
| DATE: 1/14/25 | SCALE: 6"=1'-0" | DESC.: . | |
| DRAWN BY: DAG | CHK BY: . | | |



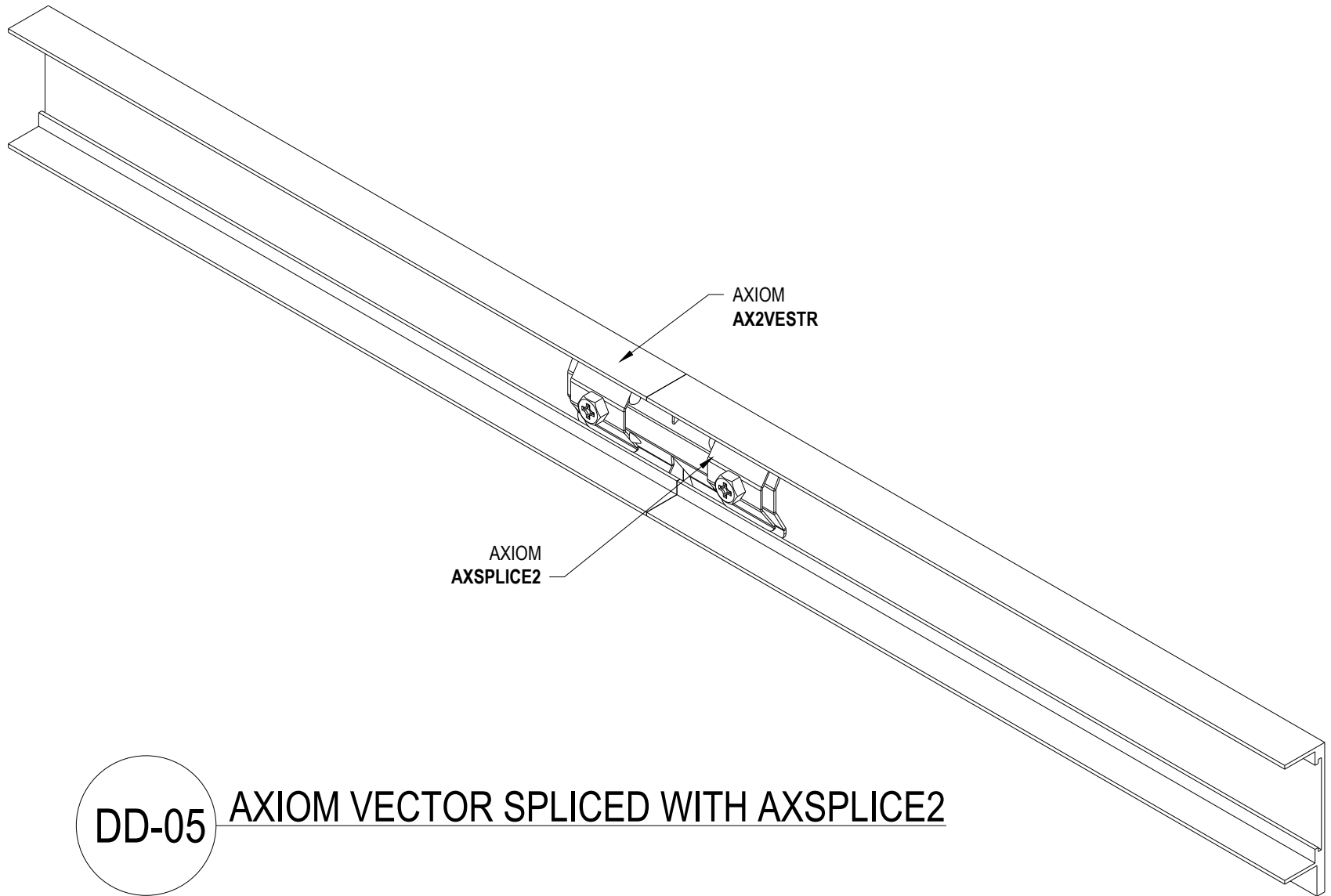
DD-04
AXIOM VECTOR CONNECTION WITH AXTBC

These drawings show typical conditions in which the Armstrong product depicted is installed. They are not a substitute for an architect's or engineer's plan and do not reflect the unique requirements of local building codes, laws, statutes, ordinances, rules and regulations (Legal Requirements) that may be applicable for a particular installation.

Armstrong does not warrant, and assumes no liability for the accuracy or completeness of the drawings for a particular installation or their fitness for a particular purpose. The user is advised to consult with a duly licensed architect or engineer in the particular locale of the installation to assure compliance with all Legal Requirements.

Armstrong is not licensed to provide professional architecture or engineering design services.

| | | | |
|-----------------------------------------------------|------------------------|----------|---------|
| PROJECT NAME: AXIOM VECTOR TRIM MASTER SHEET | | | |
| AXIOM VECTOR CONNECTION WITH AXTBC | | | |
| DWG. NO. A-A008-DD-04 | | REV: . | DATE: . |
| DATE: 1/14/25 | SCALE: 6"=1'-0" | DESC.: . | |
| DRAWN BY: DAG | CHK BY: . | | |



DD-05

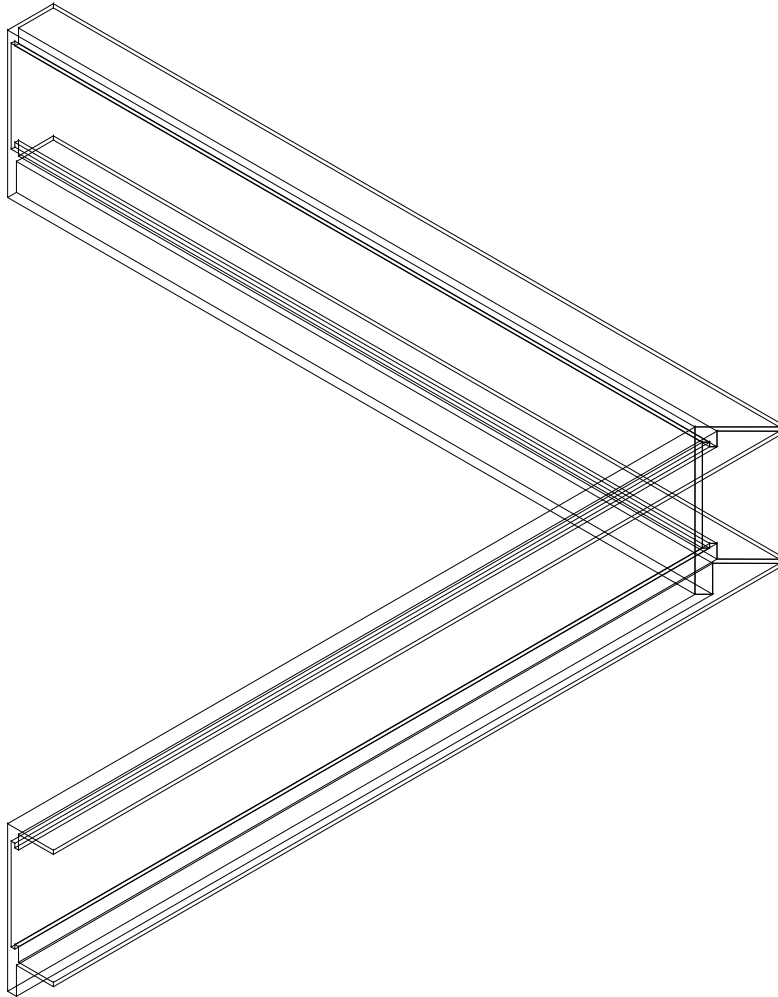
AXIOM VECTOR SPLICED WITH AXSPLICE2

These drawings show typical conditions in which the Armstrong product depicted is installed. They are not a substitute for an architect's or engineer's plan and do not reflect the unique requirements of local building codes, laws, statutes, ordinances, rules and regulations (Legal Requirements) that may be applicable for a particular installation.

Armstrong does not warrant, and assumes no liability for the accuracy or completeness of the drawings for a particular installation or their fitness for a particular purpose. The user is advised to consult with a duly licensed architect or engineer in the particular locale of the installation to assure compliance with all Legal Requirements.

Armstrong is not licensed to provide professional architecture or engineering design services.

| | | | |
|-----------------------------------------------------|------------------------|----------|---------|
| PROJECT NAME: AXIOM VECTOR TRIM MASTER SHEET | | | |
| AXIOM VECTOR SPLICED WITH AXSPLICE2 | | | |
| DWG. NO. A-A008-DD-05 | | REV: . | DATE: . |
| DATE: 1/14/25 | SCALE: 6"=1'-0" | DESC.: . | |
| DRAWN BY: DAG | CHK BY: . | | |



DD-06

AXIOM VECTOR INSIDE CORNER AXVEQ5IS

These drawings show typical conditions in which the Armstrong product depicted is installed. They are not a substitute for an architect's or engineer's plan and do not reflect the unique requirements of local building codes, laws, statutes, ordinances, rules and regulations (Legal Requirements) that may be applicable for a particular installation.

Armstrong does not warrant, and assumes no liability for the accuracy or completeness of the drawings for a particular installation or their fitness for a particular purpose. The user is advised to consult with a duly licensed architect or engineer in the particular locale of the installation to assure compliance with all Legal Requirements.

Armstrong is not licensed to provide professional architecture or engineering design services.

PROJECT NAME: **AXIOM VECTOR TRIM MASTER SHEET**
AXIOM VECTOR INSIDE CORNER AXVEQ5IS

DWG. NO. **A-A008-DD-06**

REV: . DATE: .

DATE: **1/14/25**

SCALE: **6"=1'-0"**

DESC.: .

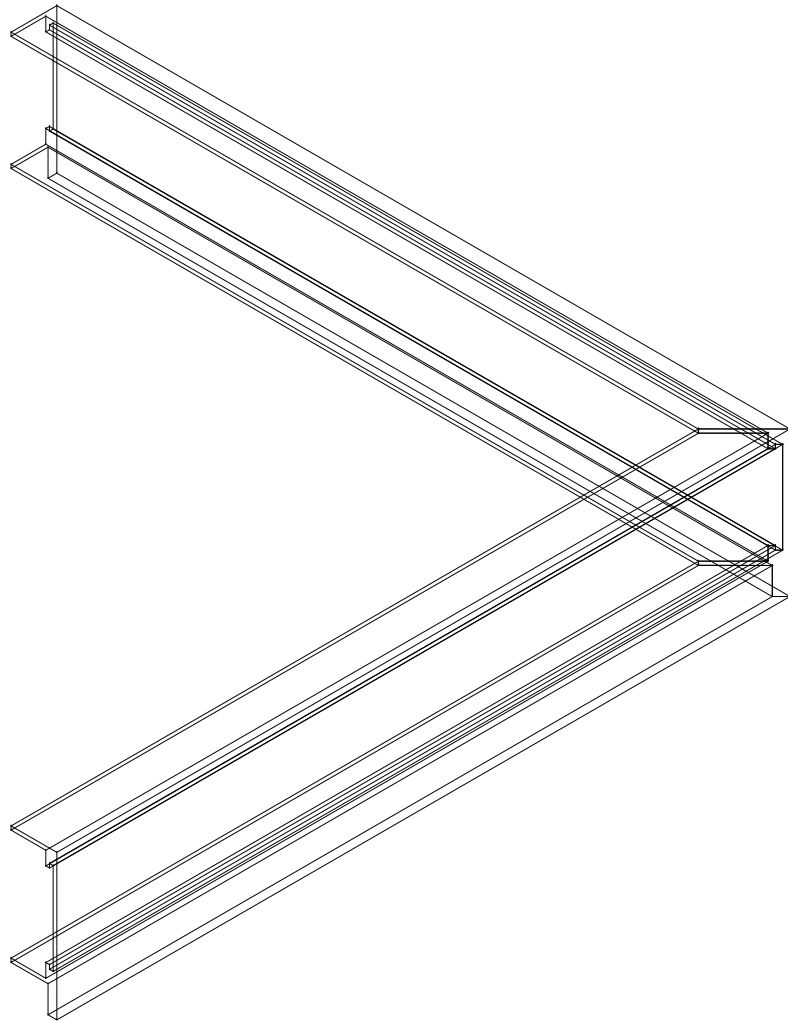
DRAWN BY: **DAG**

CHK BY: .



CEILING & WALL SOLUTIONS * ARMSTRONG WORLD INDUSTRIES, INC. * Lancaster, PA * Phone: 877-ARMSTRONG





DD-07

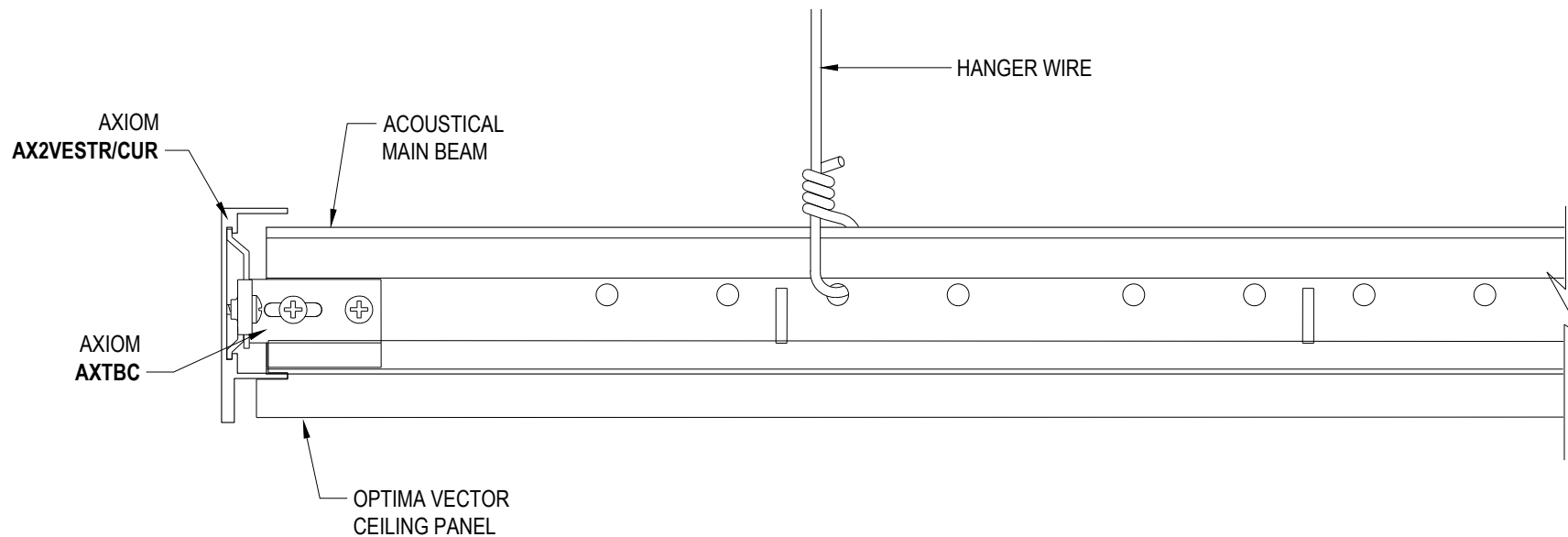
AXIOM VECTOR OUTSIDE CORNER AXVEQSOS

These drawings show typical conditions in which the Armstrong product depicted is installed. They are not a substitute for an architect's or engineer's plan and do not reflect the unique requirements of local building codes, laws, statutes, ordinances, rules and regulations (Legal Requirements) that may be applicable for a particular installation.

Armstrong does not warrant, and assumes no liability for the accuracy or completeness of the drawings for a particular installation or their fitness for a particular purpose. The user is advised to consult with a duly licensed architect or engineer in the particular locale of the installation to assure compliance with all Legal Requirements.

Armstrong is not licensed to provide professional architecture or engineering design services.

| | | | |
|-----------------------------------------------------|------------------------|----------|---------|
| PROJECT NAME: AXIOM VECTOR TRIM MASTER SHEET | | | |
| AXIOM VECTOR INSIDE CORNER AXVEQSOS | | | |
| DWG. NO. A-A008-DD-07 | | REV: . | DATE: . |
| DATE: 1/14/25 | SCALE: 6"=1'-0" | DESC.: . | |
| DRAWN BY: DAG | CHK BY: . | | |



DD-08 ACOUSTICAL WITH AXIOM VECTOR AX2VESTR/CUR

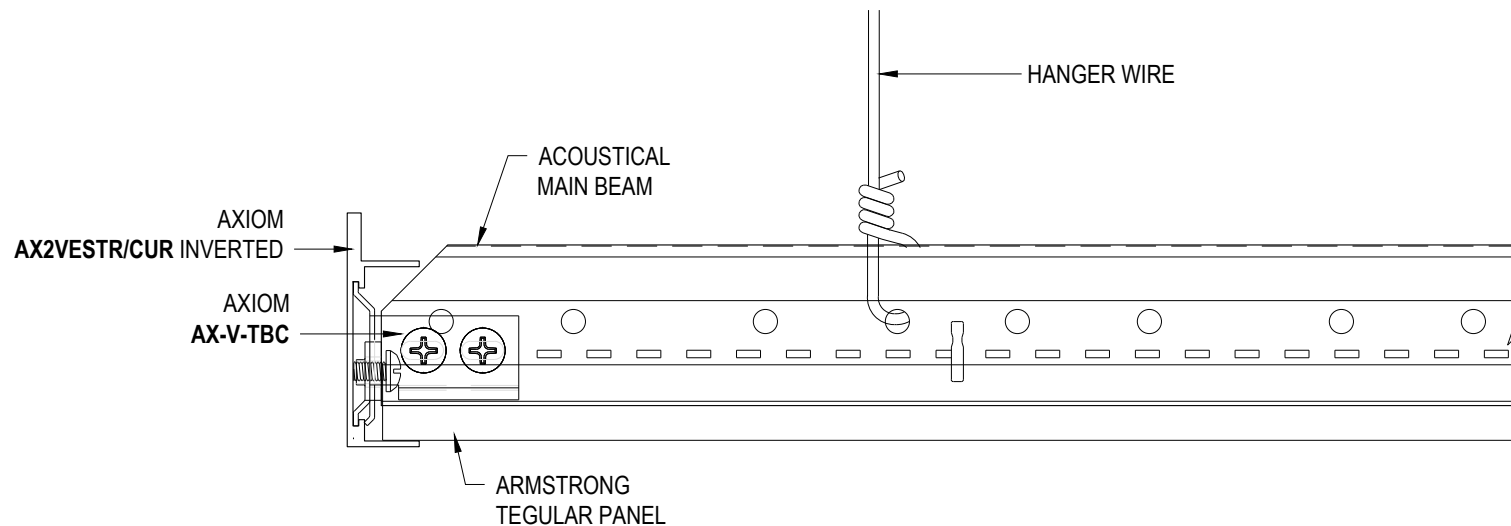
These drawings show typical conditions in which the Armstrong product depicted is installed. They are not a substitute for an architect's or engineer's plan and do not reflect the unique requirements of local building codes, laws, statutes, ordinances, rules and regulations (Legal Requirements) that may be applicable for a particular installation.

Armstrong does not warrant, and assumes no liability for the accuracy or completeness of the drawings for a particular installation or their fitness for a particular purpose. The user is advised to consult with a duly licensed architect or engineer in the particular locale of the installation to assure compliance with all Legal Requirements.

Armstrong is not licensed to provide professional architecture or engineering design services.

PROJECT NAME: **AXIOM VECTOR TRIM MASTER SHEET**
ACOUSTICAL WITH AXIOM VECTOR AX2VESTR/CUR

| | | | |
|------------------------------|------------------------|----------|---------|
| DWG. NO. A-A008-DD-08 | | REV: . | DATE: . |
| DATE: 1/14/25 | SCALE: 6"=1'-0" | DESC.: . | |
| DRAWN BY: DAG | CHK BY: . | | |



DD-09 **ACOUSTICAL WITH AXIOM VECTOR AX2VESTR/CUR INVERTED**

These drawings show typical conditions in which the Armstrong product depicted is installed. They are not a substitute for an architect's or engineer's plan and do not reflect the unique requirements of local building codes, laws, statutes, ordinances, rules and regulations (Legal Requirements) that may be applicable for a particular installation.

Armstrong does not warrant, and assumes no liability for the accuracy or completeness of the drawings for a particular installation or their fitness for a particular purpose. The user is advised to consult with a duly licensed architect or engineer in the particular locale of the installation to assure compliance with all Legal Requirements.

Armstrong is not licensed to provide professional architecture or engineering design services.

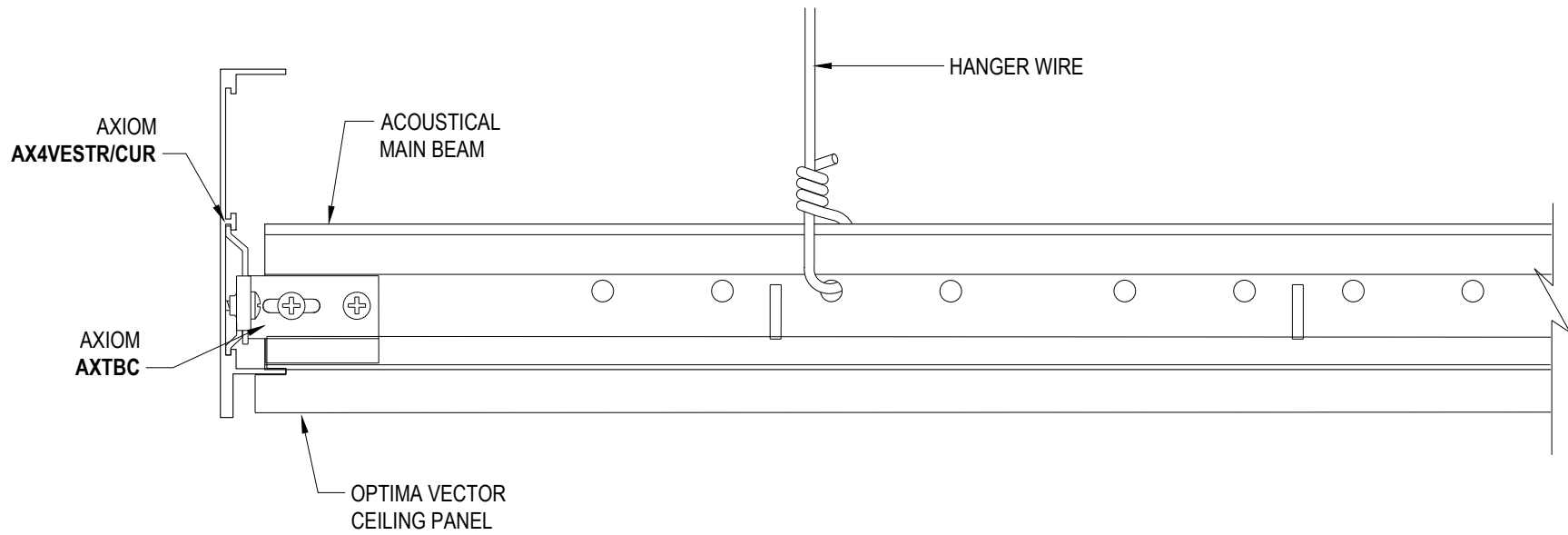
PROJECT NAME: **AXIOM VECTOR TRIM MASTER SHEET**
ACOUSTICAL WITH AXIOM VECTOR AX2VESTR/CUR INVERTED

| | | | |
|------------------------------|------------------------|----------|---------|
| DWG. NO. A-A008-DD-09 | | REV: . | DATE: . |
| DATE: 1/14/25 | SCALE: 6"=1'-0" | DESC.: . | |
| DRAWN BY: DAG | CHK BY: . | | |



CEILING & WALL SOLUTIONS * ARMSTRONG WORLD INDUSTRIES, INC. * Lancaster, PA * Phone: 877-ARMSTRONG





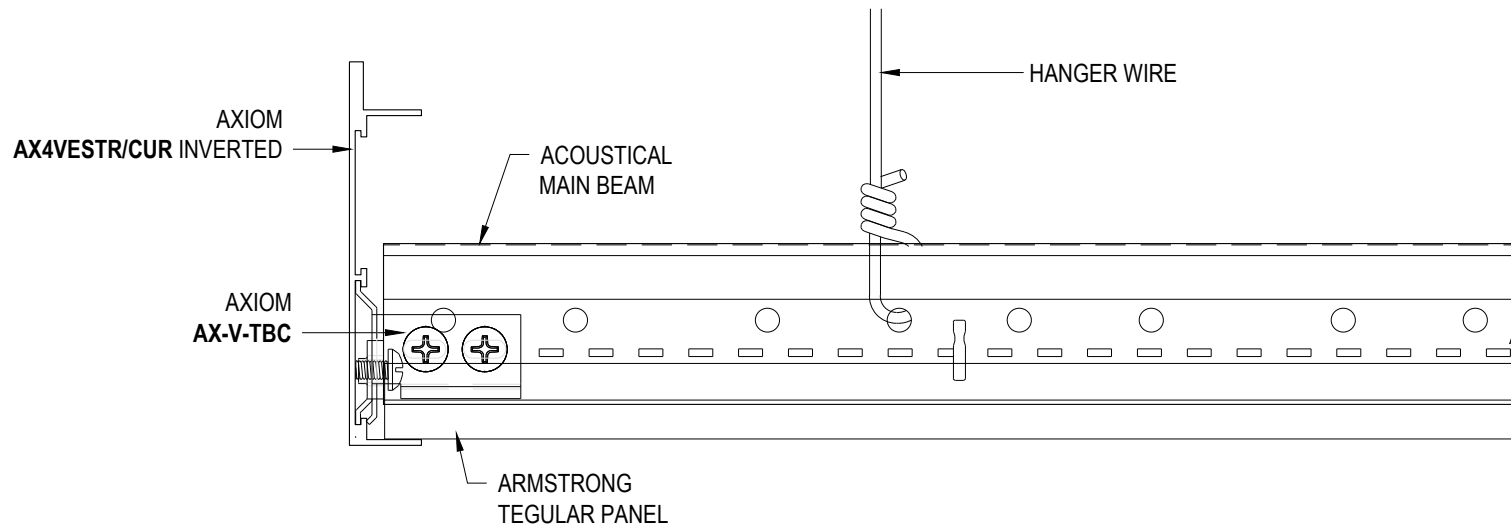
DD-10 ACOUSTICAL WITH AXIOM VECTOR AX4VESTR/CUR

These drawings show typical conditions in which the Armstrong product depicted is installed. They are not a substitute for an architect's or engineer's plan and do not reflect the unique requirements of local building codes, laws, statutes, ordinances, rules and regulations (Legal Requirements) that may be applicable for a particular installation.

Armstrong does not warrant, and assumes no liability for the accuracy or completeness of the drawings for a particular installation or their fitness for a particular purpose. The user is advised to consult with a duly licensed architect or engineer in the particular locale of the installation to assure compliance with all Legal Requirements.

Armstrong is not licensed to provide professional architecture or engineering design services.

| | | | |
|-----------------------------------------------------|------------------------|----------|---------|
| PROJECT NAME: AXIOM VECTOR TRIM MASTER SHEET | | | |
| ACOUSTICAL WITH AXIOM VECTOR AX4VESTR/CUR | | | |
| DWG. NO. A-A008-DD-10 | | REV: . | DATE: . |
| DATE: 1/14/25 | SCALE: 6"=1'-0" | DESC.: . | |
| DRAWN BY: DAG | CHK BY: . | | |



DD-11 **ACOUSTICAL WITH AXIOM VECTOR AX4VESTR/CUR INVERTED**

These drawings show typical conditions in which the Armstrong product depicted is installed. They are not a substitute for an architect's or engineer's plan and do not reflect the unique requirements of local building codes, laws, statutes, ordinances, rules and regulations (Legal Requirements) that may be applicable for a particular installation.

Armstrong does not warrant, and assumes no liability for the accuracy or completeness of the drawings for a particular installation or their fitness for a particular purpose. The user is advised to consult with a duly licensed architect or engineer in the particular locale of the installation to assure compliance with all Legal Requirements.

Armstrong is not licensed to provide professional architecture or engineering design services.

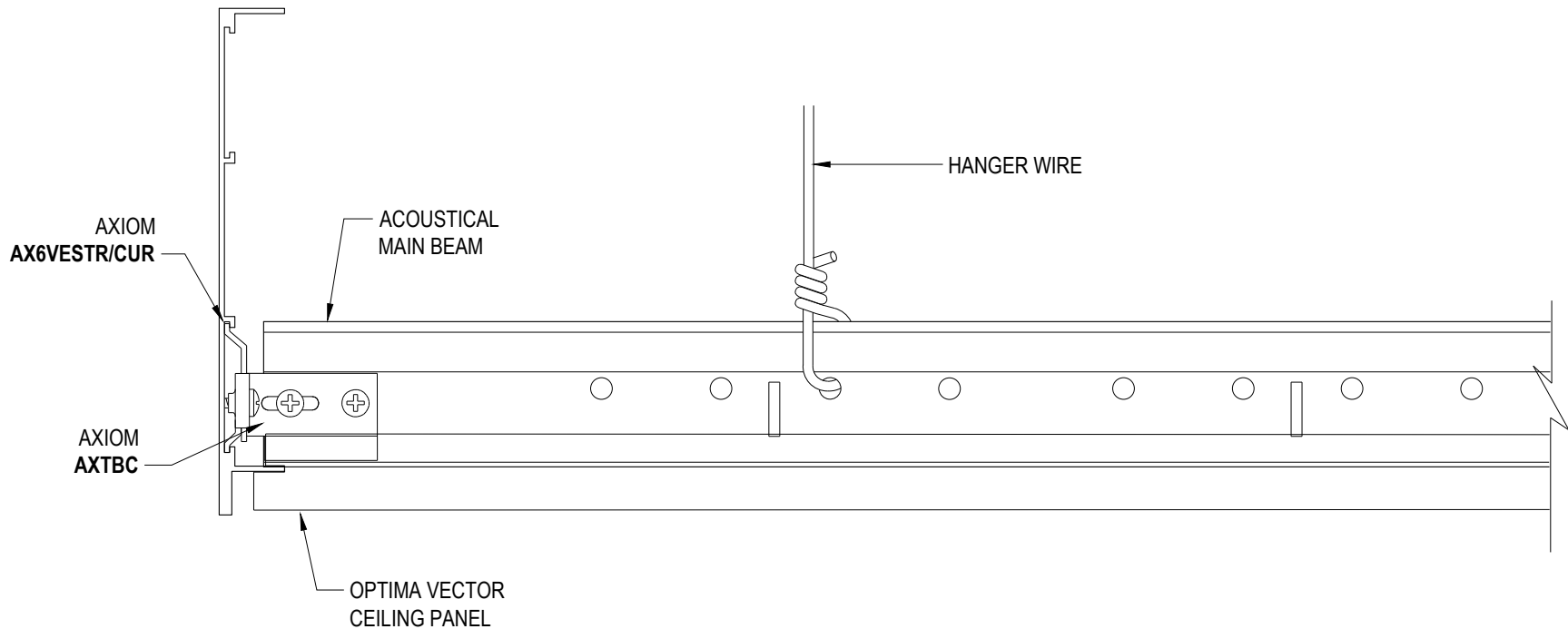
PROJECT NAME: **AXIOM VECTOR TRIM MASTER SHEET**
ACOUSTICAL WITH AXIOM VECTOR AX4VESTR/CUR INVERTED

| | | | |
|------------------------------|------------------------|----------|---------|
| DWG. NO. A-A008-DD-11 | | REV: . | DATE: . |
| DATE: 1/14/25 | SCALE: 6"=1'-0" | DESC.: . | |
| DRAWN BY: DAG | CHK BY: . | | |



CEILING & WALL SOLUTIONS * ARMSTRONG WORLD INDUSTRIES, INC. * Lancaster, PA * Phone: 877-ARMSTRONG





DD-12 ACOUSTICAL WITH AXIOM VECTOR AX6VESTR/CUR

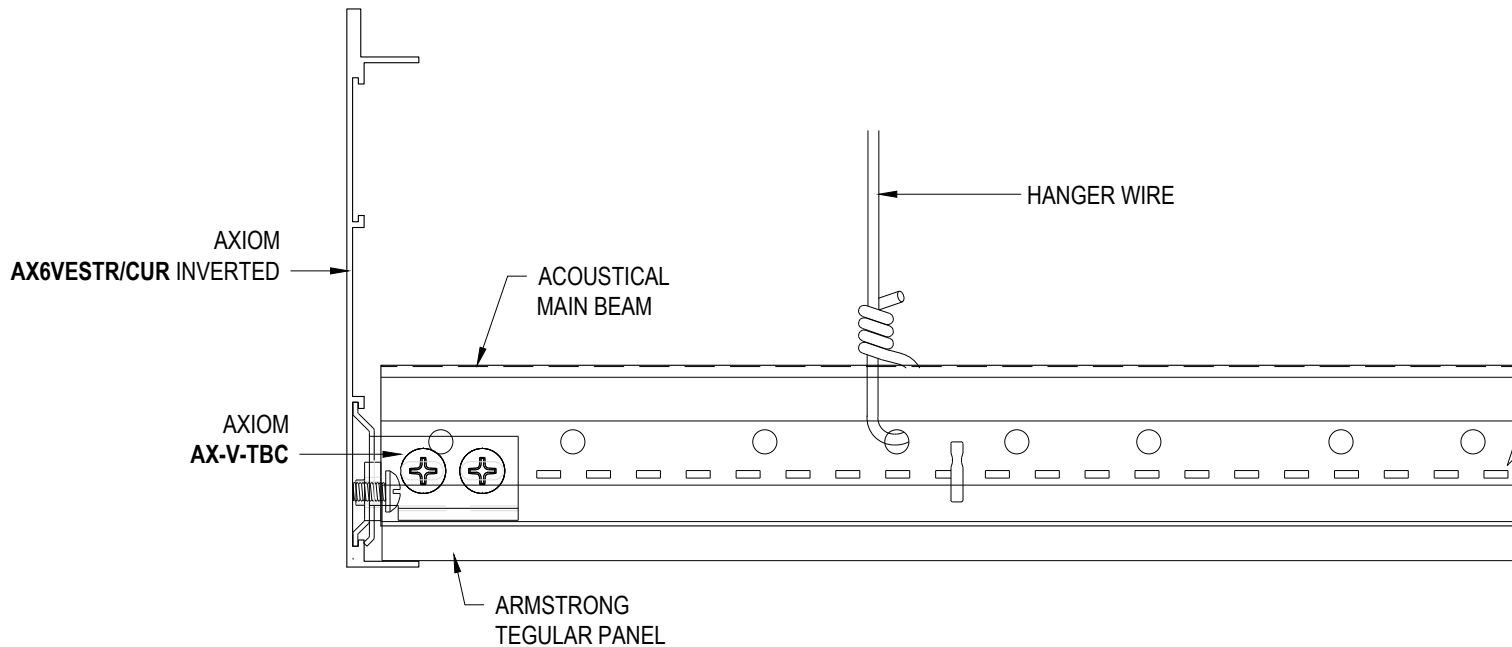
These drawings show typical conditions in which the Armstrong product depicted is installed. They are not a substitute for an architect's or engineer's plan and do not reflect the unique requirements of local building codes, laws, statutes, ordinances, rules and regulations (Legal Requirements) that may be applicable for a particular installation.

Armstrong does not warrant, and assumes no liability for the accuracy or completeness of the drawings for a particular installation or their fitness for a particular purpose. The user is advised to consult with a duly licensed architect or engineer in the particular locale of the installation to assure compliance with all Legal Requirements.

Armstrong is not licensed to provide professional architecture or engineering design services.

PROJECT NAME: **AXIOM VECTOR TRIM MASTER SHEET**
ACOUSTICAL WITH AXIOM VECTOR AX6VESTR/CUR

| | | | |
|------------------------------|------------------------|----------|---------|
| DWG. NO. A-A008-DD-12 | | REV: . | DATE: . |
| DATE: 1/14/25 | SCALE: 6"=1'-0" | DESC.: . | |
| DRAWN BY: DAG | CHK BY: . | | |



DD-13 **ACOUSTICAL WITH AXIOM VECTOR AX6VESTR/CUR INVERTED**

These drawings show typical conditions in which the Armstrong product depicted is installed. They are not a substitute for an architect's or engineer's plan and do not reflect the unique requirements of local building codes, laws, statutes, ordinances, rules and regulations (Legal Requirements) that may be applicable for a particular installation.

Armstrong does not warrant, and assumes no liability for the accuracy or completeness of the drawings for a particular installation or their fitness for a particular purpose. The user is advised to consult with a duly licensed architect or engineer in the particular locale of the installation to assure compliance with all Legal Requirements.

Armstrong is not licensed to provide professional architecture or engineering design services.

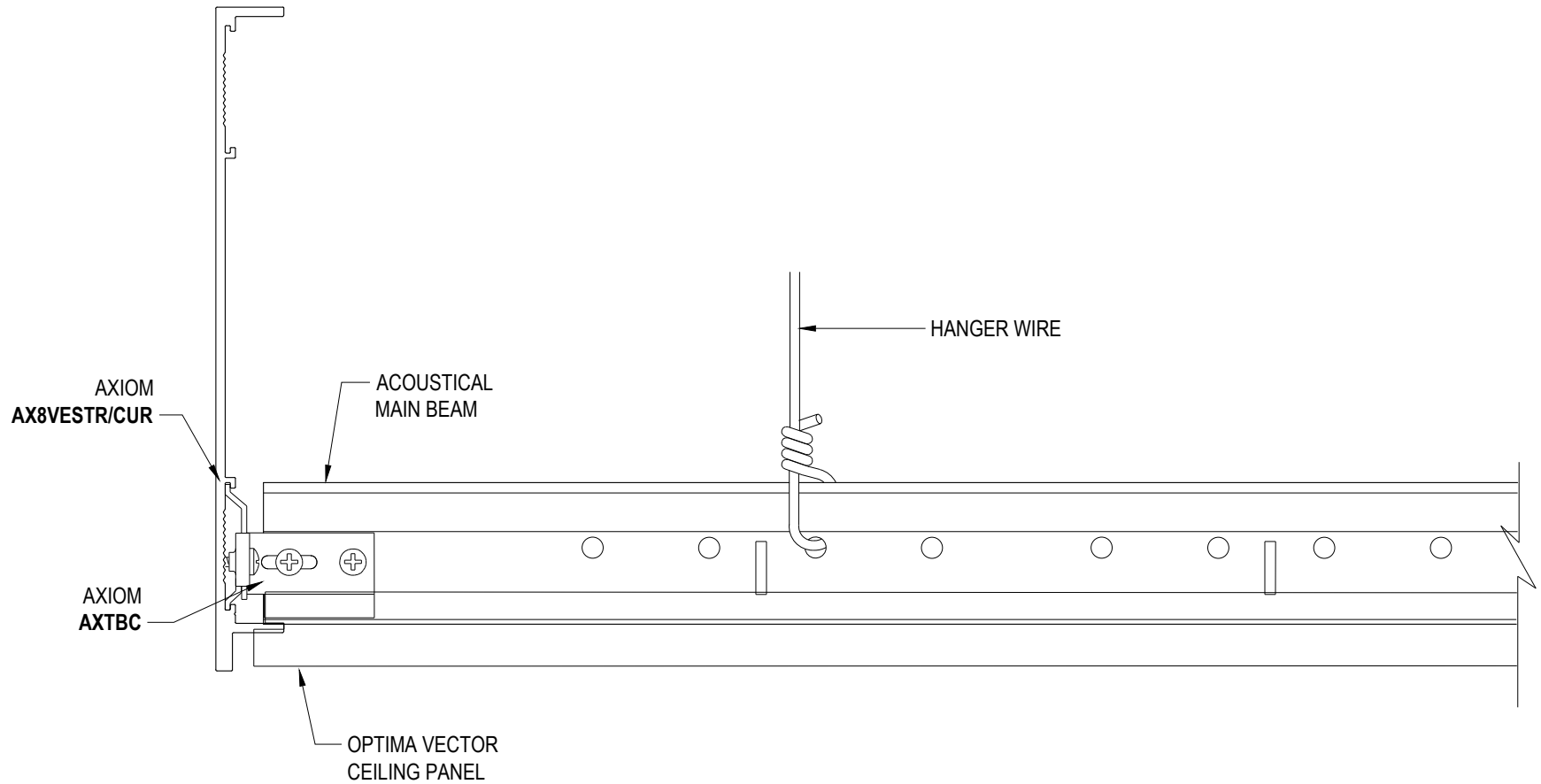
PROJECT NAME: **AXIOM VECTOR TRIM MASTER SHEET**
ACOUSTICAL WITH AXIOM VECTOR AX6VESTR/CUR INVERTED

| | | | |
|------------------------------|------------------------|----------|---------|
| DWG. NO. A-A008-DD-13 | | REV: . | DATE: . |
| DATE: 1/14/25 | SCALE: 6"=1'-0" | DESC.: . | |
| DRAWN BY: DAG | CHK BY: . | | |



CEILING & WALL SOLUTIONS * ARMSTRONG WORLD INDUSTRIES, INC. * Lancaster, PA * Phone: 877-ARMSTRONG





DD-14 ACOUSTICAL WITH AXIOM VECTOR AX8VESTR/CUR

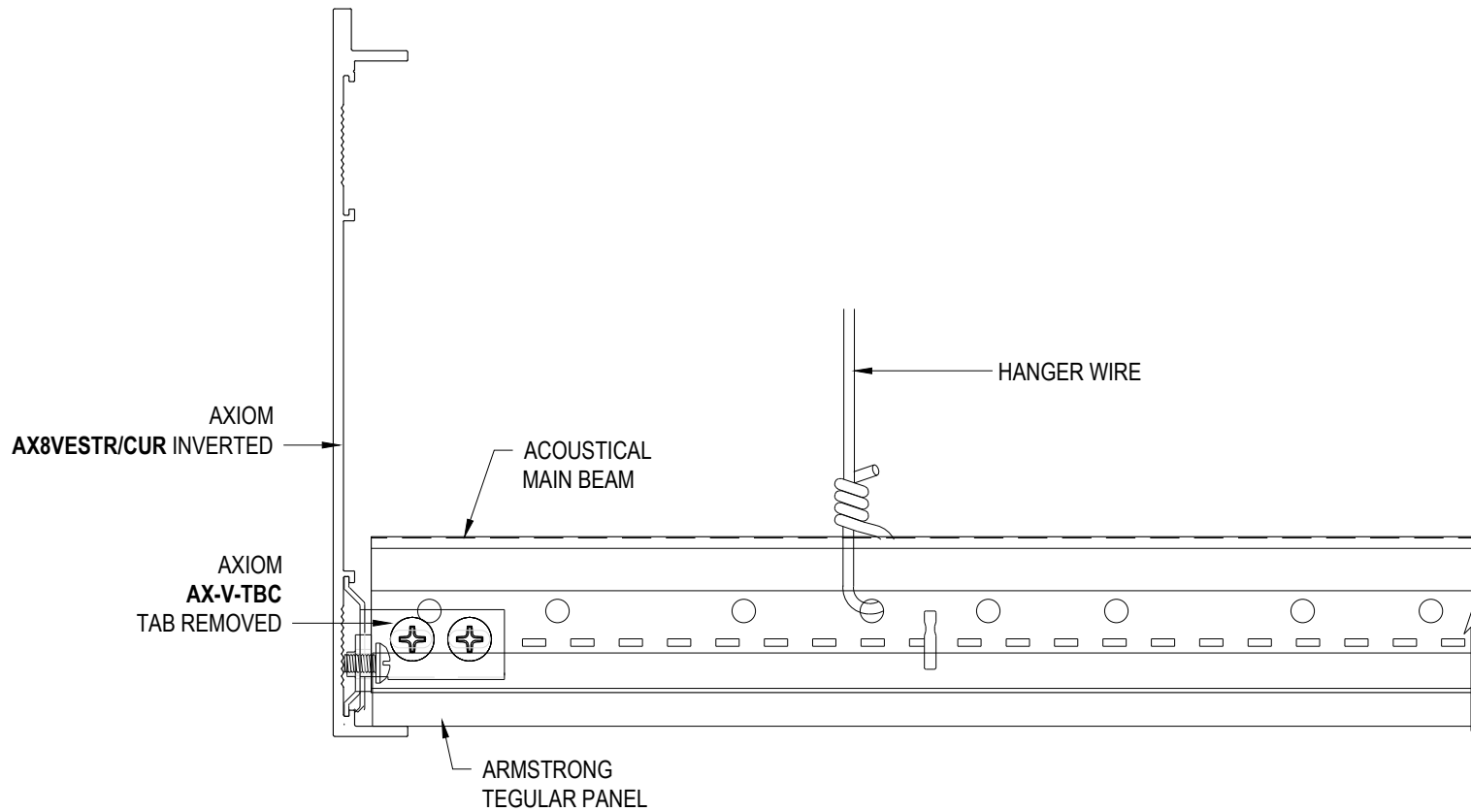
These drawings show typical conditions in which the Armstrong product depicted is installed. They are not a substitute for an architect's or engineer's plan and do not reflect the unique requirements of local building codes, laws, statutes, ordinances, rules and regulations (Legal Requirements) that may be applicable for a particular installation.

Armstrong does not warrant, and assumes no liability for the accuracy or completeness of the drawings for a particular installation or their fitness for a particular purpose. The user is advised to consult with a duly licensed architect or engineer in the particular locale of the installation to assure compliance with all Legal Requirements.

Armstrong is not licensed to provide professional architecture or engineering design services.

PROJECT NAME: **AXIOM VECTOR TRIM MASTER SHEET**
ACOUSTICAL WITH AXIOM VECTOR AX8VESTR/CUR

| | | | |
|------------------------------|------------------------|----------|---------|
| DWG. NO. A-A008-DD-14 | | REV: . | DATE: . |
| DATE: 1/14/25 | SCALE: 6"=1'-0" | DESC.: . | |
| DRAWN BY: DAG | CHK BY: . | | |



DD-15 **ACOUSTICAL WITH AXIOM VECTOR AX8VESTR/CUR INVERTED**

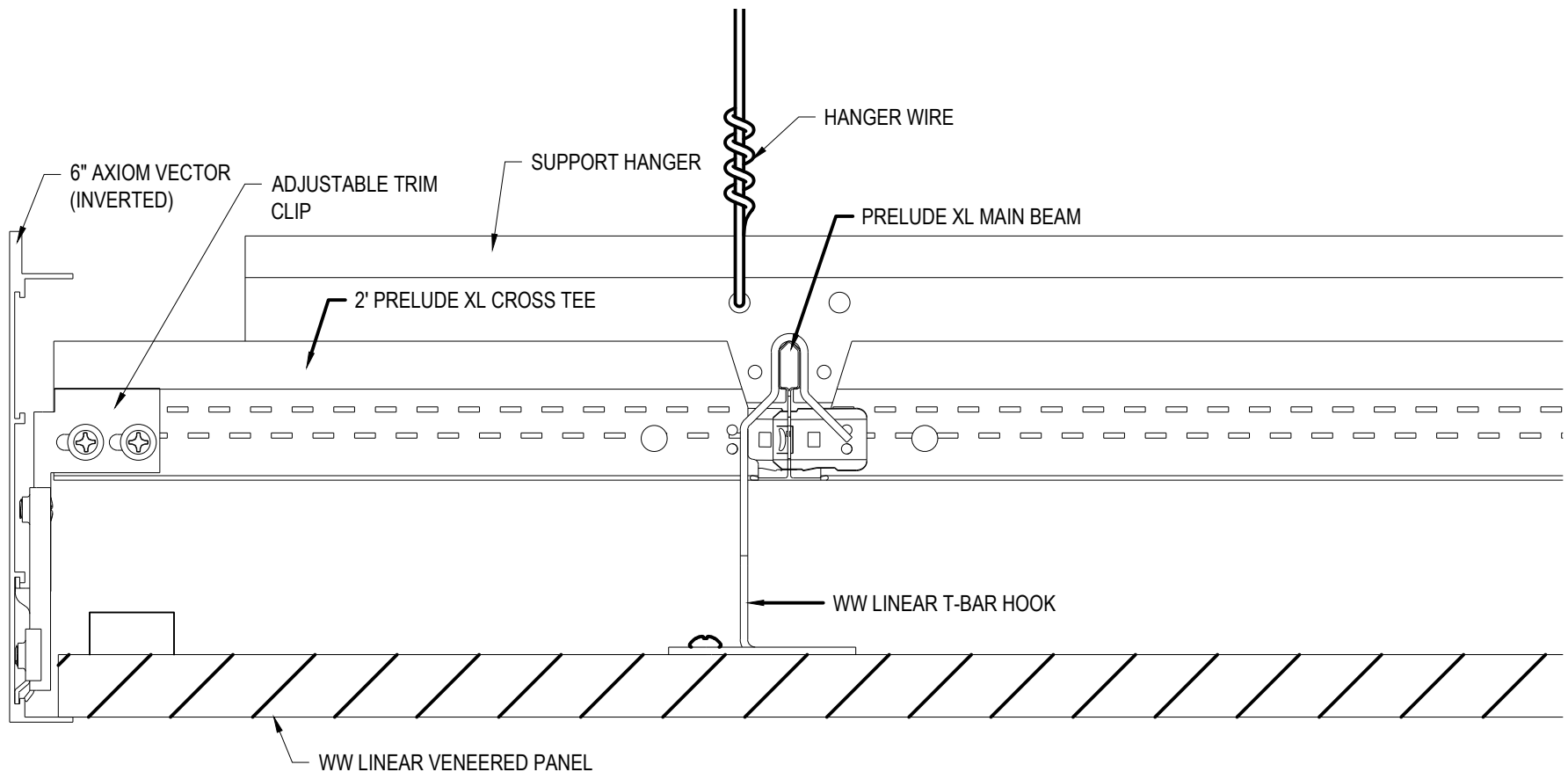
These drawings show typical conditions in which the Armstrong product depicted is installed. They are not a substitute for an architect's or engineer's plan and do not reflect the unique requirements of local building codes, laws, statutes, ordinances, rules and regulations (Legal Requirements) that may be applicable for a particular installation.

Armstrong does not warrant, and assumes no liability for the accuracy or completeness of the drawings for a particular installation or their fitness for a particular purpose. The user is advised to consult with a duly licensed architect or engineer in the particular locale of the installation to assure compliance with all Legal Requirements.

Armstrong is not licensed to provide professional architecture or engineering design services.

PROJECT NAME: **AXIOM VECTOR TRIM MASTER SHEET**
ACOUSTICAL WITH AXIOM VECTOR AX8VESTR/CUR INVERTED

| | | | |
|------------------------------|------------------------|----------|---------|
| DWG. NO. A-A008-DD-15 | | REV: . | DATE: . |
| DATE: 1/14/25 | SCALE: 6"=1'-0" | DESC.: . | |
| DRAWN BY: DAG | CHK BY: . | | |



DD-16 6" AXIOM VECTOR ASSEMBLY WW LINEAR VENEERED PANELS

These drawings show typical conditions in which the Armstrong product depicted is installed. They are not a substitute for an architect's or engineer's plan and do not reflect the unique requirements of local building codes, laws, statutes, ordinances, rules and regulations (Legal Requirements) that may be applicable for a particular installation.

Armstrong does not warrant, and assumes no liability for the accuracy or completeness of the drawings for a particular installation or their fitness for a particular purpose. The user is advised to consult with a duly licensed architect or engineer in the particular locale of the installation to assure compliance with all Legal Requirements.

Armstrong is not licensed to provide professional architecture or engineering design services.

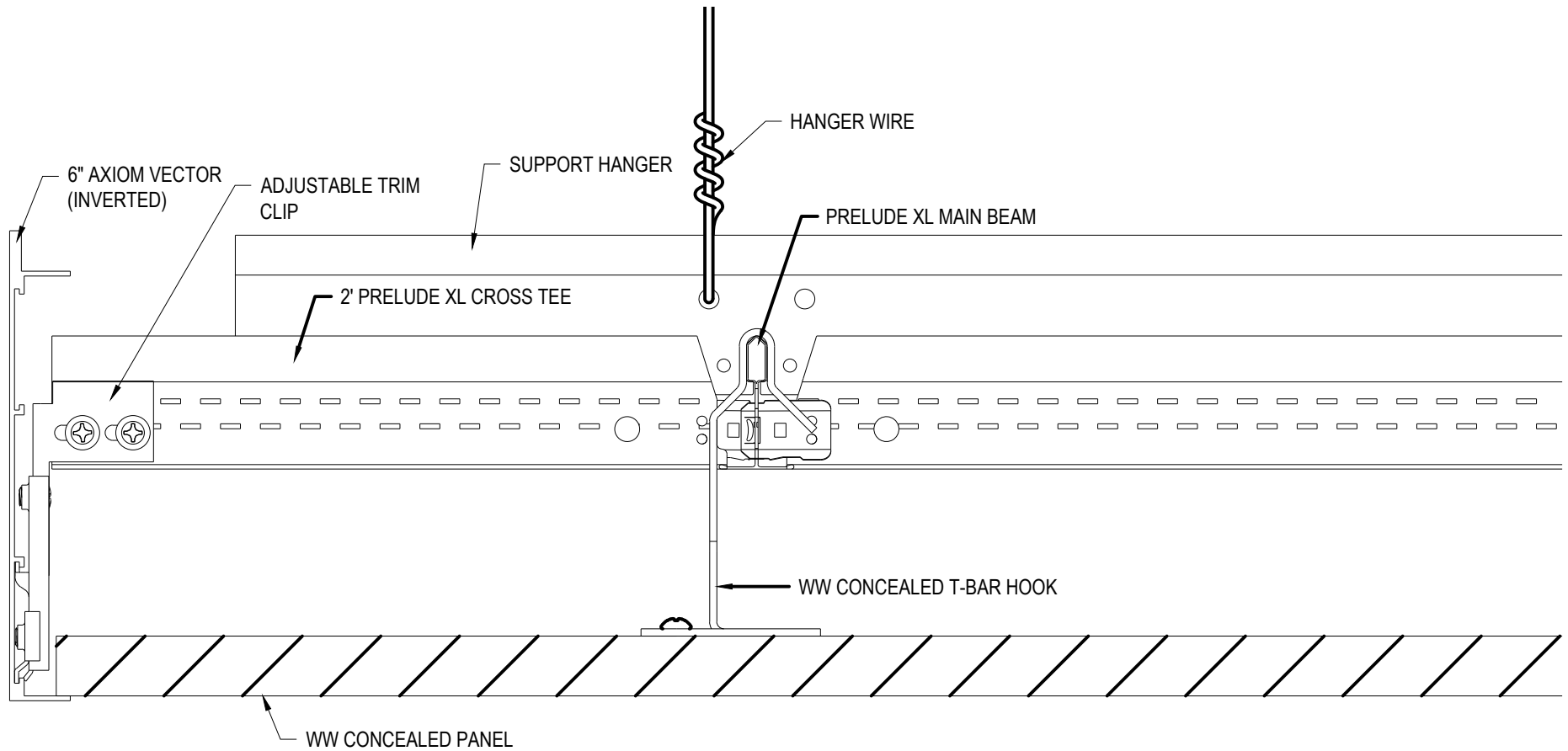
PROJECT NAME: **AXIOM VECTOR TRIM MASTER SHEET**
6" AXIOM VECTOR ASSEMBLY WW LINEAR VENEERED PANELS

| | | | |
|------------------------------|------------------------|----------|---------|
| DWG. NO. A-A008-DD-16 | | REV: . | DATE: . |
| DATE: 1/14/25 | SCALE: 6"=1'-0" | DESC.: . | |
| DRAWN BY: DAG | CHK BY: . | | |



CEILING & WALL SOLUTIONS * ARMSTRONG WORLD INDUSTRIES, INC. * Lancaster, PA * Phone: 877-ARMSTRONG





DD-17 6" AXIOM VECTOR ASSEMBLY WW CONCEALED

These drawings show typical conditions in which the Armstrong product depicted is installed. They are not a substitute for an architect's or engineer's plan and do not reflect the unique requirements of local building codes, laws, statutes, ordinances, rules and regulations (Legal Requirements) that may be applicable for a particular installation.

Armstrong does not warrant, and assumes no liability for the accuracy or completeness of the drawings for a particular installation or their fitness for a particular purpose. The user is advised to consult with a duly licensed architect or engineer in the particular locale of the installation to assure compliance with all Legal Requirements.

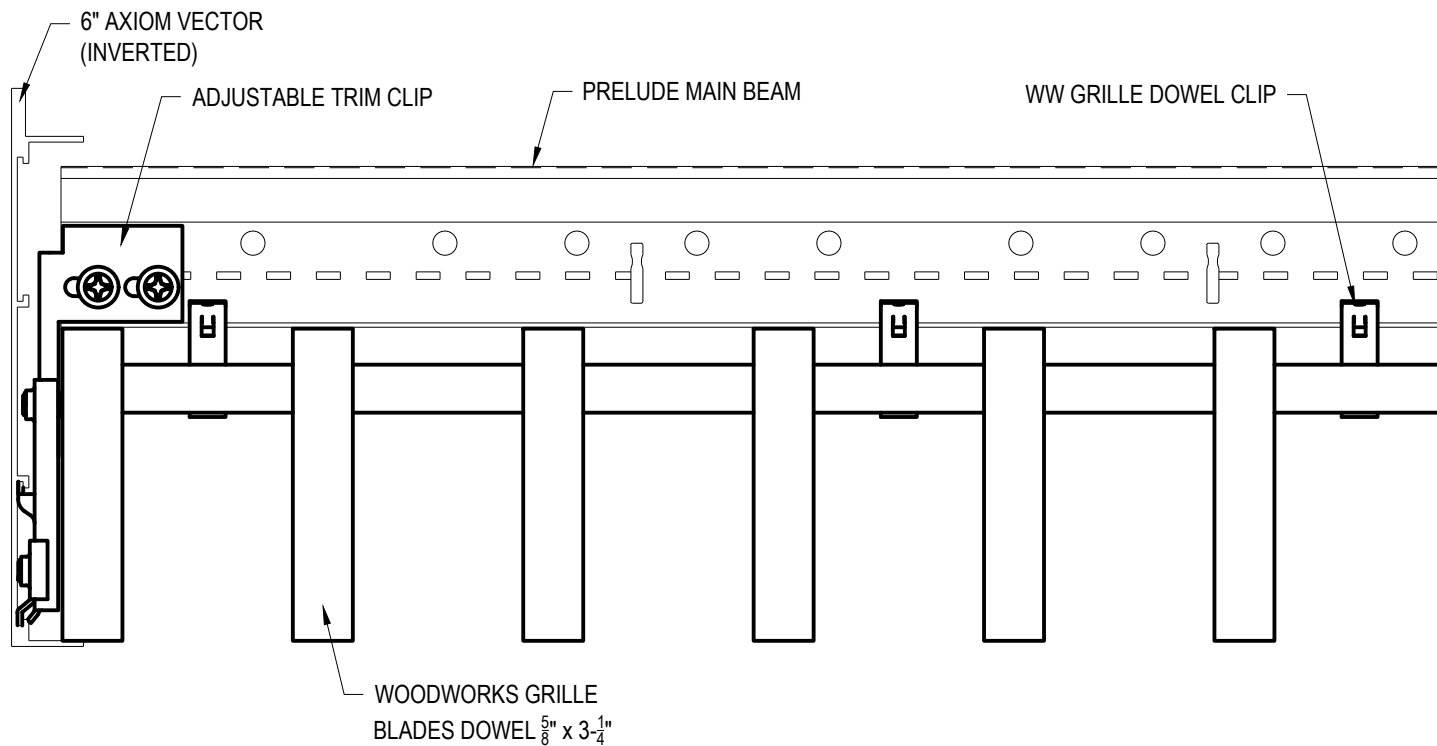
Armstrong is not licensed to provide professional architecture or engineering design services.

| | | | |
|-----------------------------------------------------|------------------------|----------|---------|
| PROJECT NAME: AXIOM VECTOR TRIM MASTER SHEET | | | |
| 6" AXIOM VECTOR ASSEMBLY WW CONCEALED | | | |
| DWG. NO. A-A008-DD-17 | | REV: . | DATE: . |
| DATE: 1/14/25 | SCALE: 6"=1'-0" | DESC.: . | |
| DRAWN BY: DAG | CHK BY: . | | |



CEILING & WALL SOLUTIONS * ARMSTRONG WORLD INDUSTRIES, INC. * Lancaster, PA * Phone: 877-ARMSTRONG





DD-18 6" AXIOM VECTOR ASSEMBLY WW GRILLE 3 1/4"

These drawings show typical conditions in which the Armstrong product depicted is installed. They are not a substitute for an architect's or engineer's plan and do not reflect the unique requirements of local building codes, laws, statutes, ordinances, rules and regulations (Legal Requirements) that may be applicable for a particular installation.

Armstrong does not warrant, and assumes no liability for the accuracy or completeness of the drawings for a particular installation or their fitness for a particular purpose. The user is advised to consult with a duly licensed architect or engineer in the particular locale of the installation to assure compliance with all Legal Requirements.

Armstrong is not licensed to provide professional architecture or engineering design services.

PROJECT NAME: AXIOM VECTOR TRIM MASTER SHEET
6" AXIOM VECTOR ASSEMBLY WW GRILLE 3 1/4"

DWG. NO. A-A008-DD-18

REV: . DATE: .

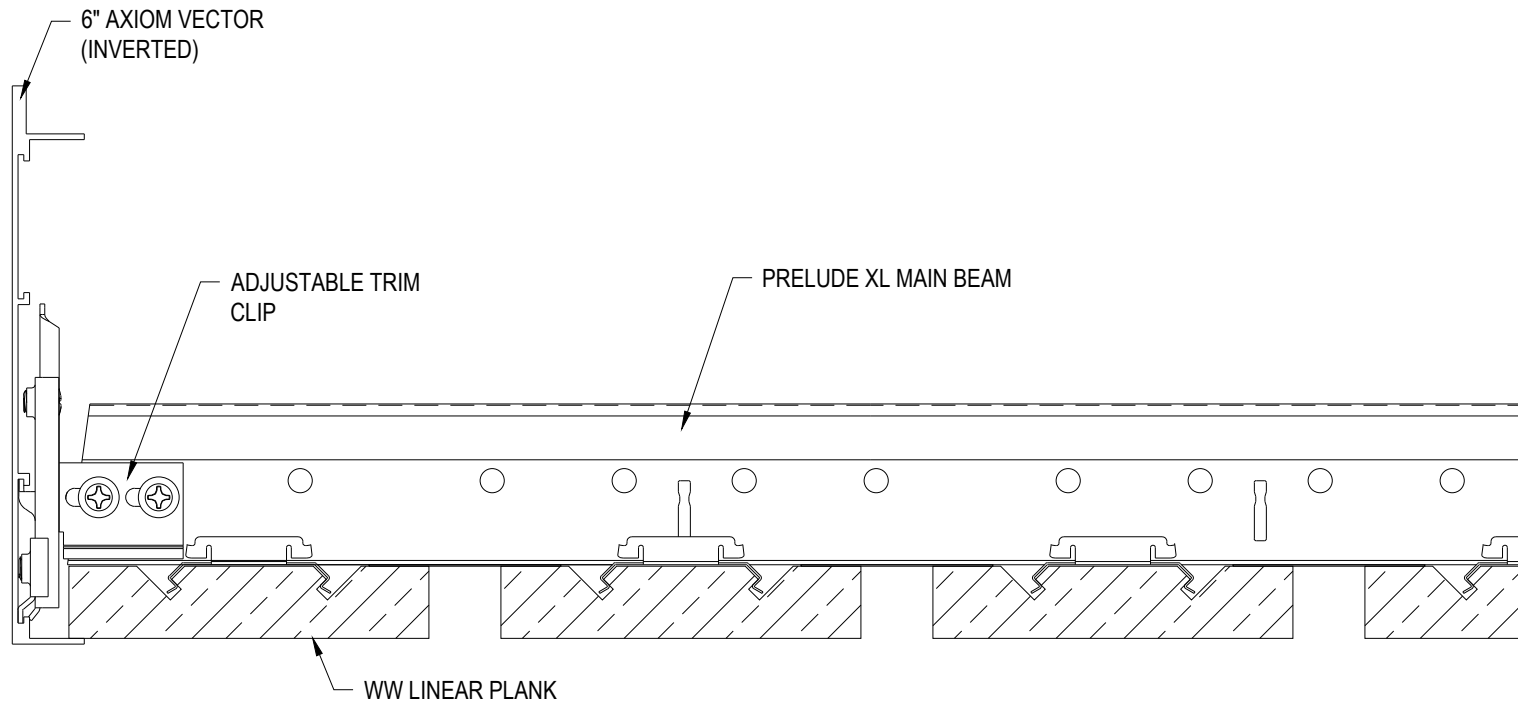
DATE: 1/14/25

SCALE: 6"=1'-0"

DESC.: .

DRAWN BY: DAG

CHK BY: .



DD-19 6" AXIOM VECTOR ASSEMBLY WW LINEAR PLANKS

These drawings show typical conditions in which the Armstrong product depicted is installed. They are not a substitute for an architect's or engineer's plan and do not reflect the unique requirements of local building codes, laws, statutes, ordinances, rules and regulations (Legal Requirements) that may be applicable for a particular installation.

Armstrong does not warrant, and assumes no liability for the accuracy or completeness of the drawings for a particular installation or their fitness for a particular purpose. The user is advised to consult with a duly licensed architect or engineer in the particular locale of the installation to assure compliance with all Legal Requirements.

Armstrong is not licensed to provide professional architecture or engineering design services.

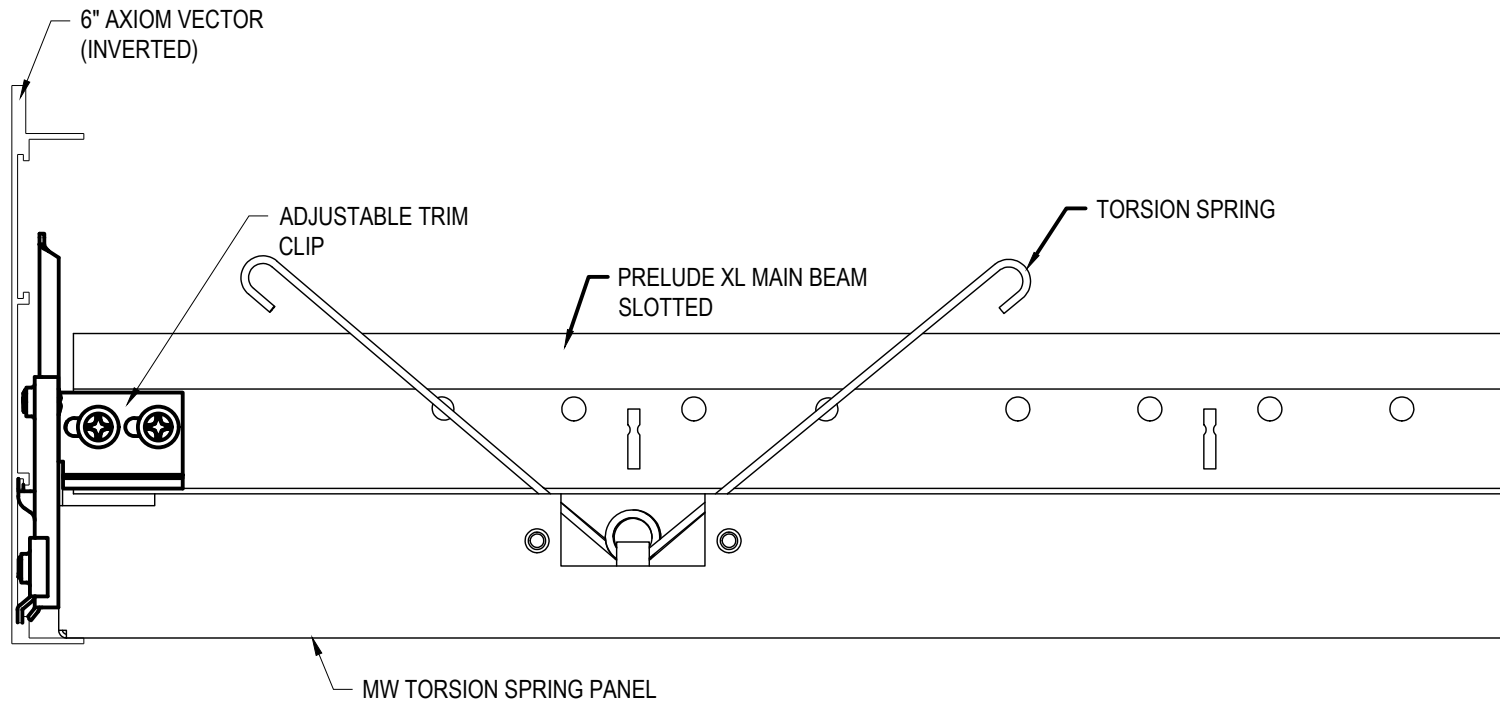
PROJECT NAME: **AXIOM VECTOR TRIM MASTER SHEET**
6" AXIOM VECTOR ASSEMBLY WW LINEAR PLANKS

| | | | |
|------------------------------|------------------------|----------|---------|
| DWG. NO. A-A008-DD-19 | | REV: . | DATE: . |
| DATE: 1/14/25 | SCALE: 6"=1'-0" | DESC.: . | |
| DRAWN BY: DAG | CHK BY: . | | |



CEILING & WALL SOLUTIONS * ARMSTRONG WORLD INDUSTRIES, INC. * Lancaster, PA * Phone: 877-ARMSTRONG





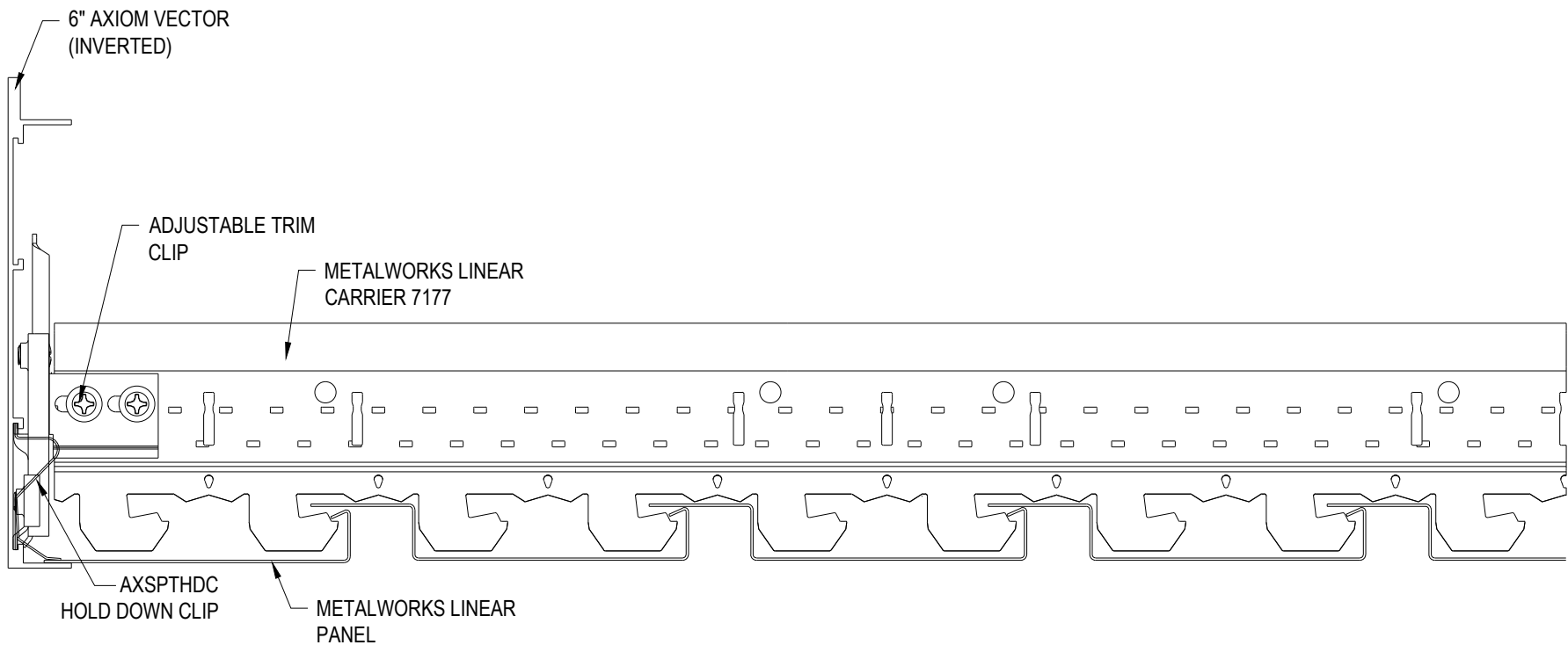
DD-20 **6" AXIOM VECTOR ASSEMBLY MW TORSION SPRING**

These drawings show typical conditions in which the Armstrong product depicted is installed. They are not a substitute for an architect's or engineer's plan and do not reflect the unique requirements of local building codes, laws, statutes, ordinances, rules and regulations (Legal Requirements) that may be applicable for a particular installation.

Armstrong does not warrant, and assumes no liability for the accuracy or completeness of the drawings for a particular installation or their fitness for a particular purpose. The user is advised to consult with a duly licensed architect or engineer in the particular locale of the installation to assure compliance with all Legal Requirements.

Armstrong is not licensed to provide professional architecture or engineering design services.

| | | | |
|-----------------------------------------------------|------------------------|----------|---------|
| PROJECT NAME: AXIOM VECTOR TRIM MASTER SHEET | | | |
| 6" AXIOM VECTOR ASSEMBLY MW TORSION SPRING | | | |
| DWG. NO. A-A008-DD-20 | | REV: . | DATE: . |
| DATE: 1/14/25 | SCALE: 6"=1'-0" | DESC.: . | |
| DRAWN BY: DAG | CHK BY: . | | |



DD-21
6" AXIOM VECTOR ASSEMBLY MW LINEAR

These drawings show typical conditions in which the Armstrong product depicted is installed. They are not a substitute for an architect's or engineer's plan and do not reflect the unique requirements of local building codes, laws, statutes, ordinances, rules and regulations (Legal Requirements) that may be applicable for a particular installation.

Armstrong does not warrant, and assumes no liability for the accuracy or completeness of the drawings for a particular installation or their fitness for a particular purpose. The user is advised to consult with a duly licensed architect or engineer in the particular locale of the installation to assure compliance with all Legal Requirements.

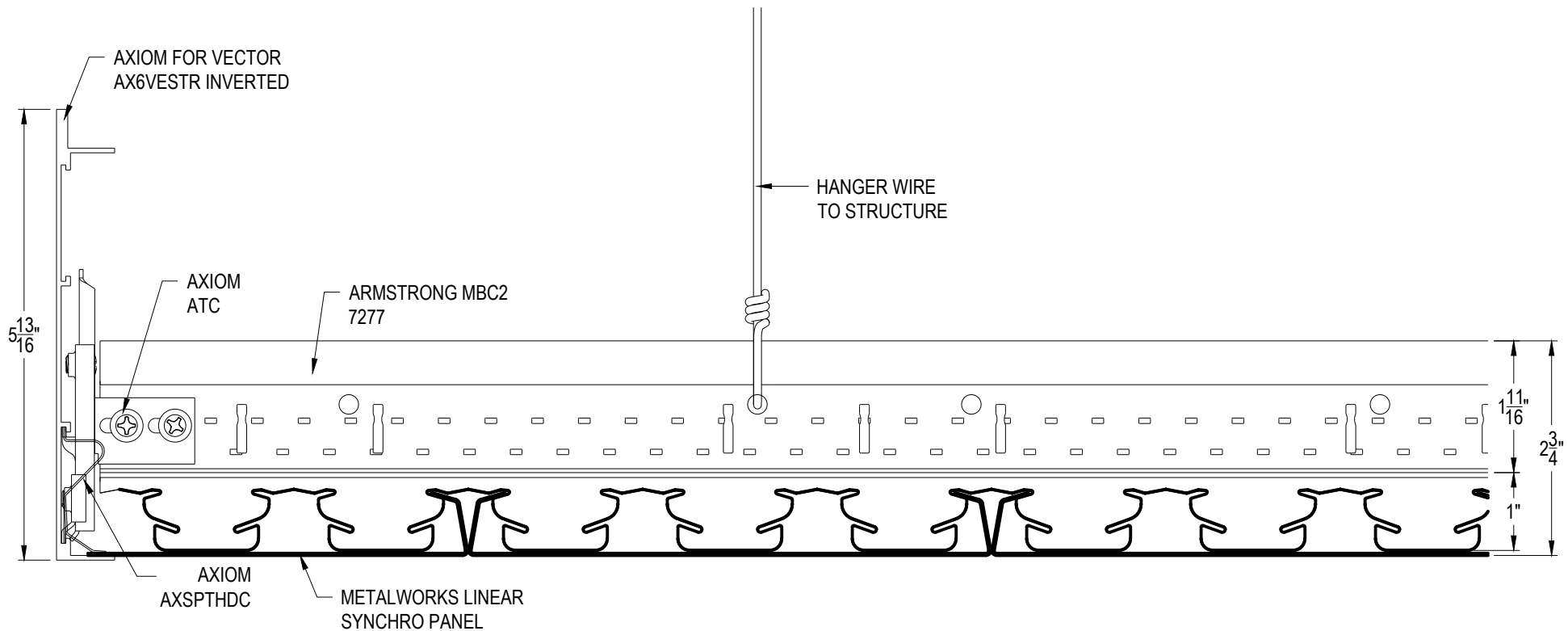
Armstrong is not licensed to provide professional architecture or engineering design services.

| | | | |
|-----------------------------------------------------|------------------------|--------|----------|
| PROJECT NAME: AXIOM VECTOR TRIM MASTER SHEET | | | |
| 6" AXIOM VECTOR ASSEMBLY MW LINEAR | | | |
| DWG. NO. A-A008-DD-21 | | REV: . | DATE: . |
| DATE: 1/14/25 | SCALE: 6"=1'-0" | | DESC.: . |
| DRAWN BY: DAG | CHK BY: . | | |



CEILING & WALL SOLUTIONS * ARMSTRONG WORLD INDUSTRIES, INC. * Lancaster, PA * Phone: 877-ARMSTRONG





DD-22 6" AXIOM VECTOR ASSEMBLY MW LINEAR SYNCHRO

These drawings show typical conditions in which the Armstrong product depicted is installed. They are not a substitute for an architect's or engineer's plan and do not reflect the unique requirements of local building codes, laws, statutes, ordinances, rules and regulations (Legal Requirements) that may be applicable for a particular installation.

Armstrong does not warrant, and assumes no liability for the accuracy or completeness of the drawings for a particular installation or their fitness for a particular purpose. The user is advised to consult with a duly licensed architect or engineer in the particular locale of the installation to assure compliance with all Legal Requirements.

Armstrong is not licensed to provide professional architecture or engineering design services.

PROJECT NAME: AXIOM VECTOR TRIM MASTER SHEET
6" AXIOM VECTOR ASSEMBLY MW LINEAR SYNCHRO

DWG. NO. A-A008-DD-22

REV: . DATE: .

DATE: 1/14/25

SCALE: 6"=1'-0"

DESC.: .

DRAWN BY: DAG

CHK BY: .



CEILING & WALL SOLUTIONS * ARMSTRONG WORLD INDUSTRIES, INC. * Lancaster, PA * Phone: 877-ARMSTRONG

