

## CLEAN ROOM MASTER SHEET

SHEET #	DETAIL #	DRAWING
2	A-C001-MS-01	CLEAN ROOM DETAILS
3	A-C001-DD-01	1-1/2" CLEAN ROOM CO-EXTRUDED ALUMINUM
4	A-C001-DD-02	15/16" CLEAN ROOM CO-EXTRUDED STEEL
5	A-C001-DD-03	15/16" CLEAN ROOM CO-EXTRUDED ALUMINUM
6	A-C001-DD-04	EA7812 - CLEAN ROOM ALUMINUM ANGLE MOLDING
7	A-C001-DD-05	ES7801- CLEAN ROOM STEEL ANGLE MOLDING
8	A-C001-DD-06	EA7812WG - CLEAN ROOM ALUMINUM ANGLE MOLDING WITH WALL GASKET
9	A-C001-DD-07	BHDC WITH CLEAN ROOM ANGLE MOLDING
10	A-C001-DD-08	BORDER HOLD DOWN CLIP BHDC
11	A-C001-DD-09	EA7812 & ES7801 WITH BHDC
12	A-C001-DD-10	EA7812WG WITH BHDC
13	A-C001-DD-11	CHDC
14	A-C001-DD-12	CHDC WITH CLEAN ROOM MAIN BEAM

These drawings show typical conditions in which the Armstrong product depicted is installed. They are not a substitute for an architect's or engineer's plan and do not reflect the unique requirements of local building codes, laws, statutes, ordinances, rules and regulations (Legal Requirements) that may be applicable for a particular installation.

Armstrong does not warrant, and assumes no liability for the accuracy or completeness of the drawings for a particular installation or their fitness for a particular purpose. The user is advised to consult with a duly licensed architect or engineer in the particular locale of the installation to assure compliance with all Legal Requirements.

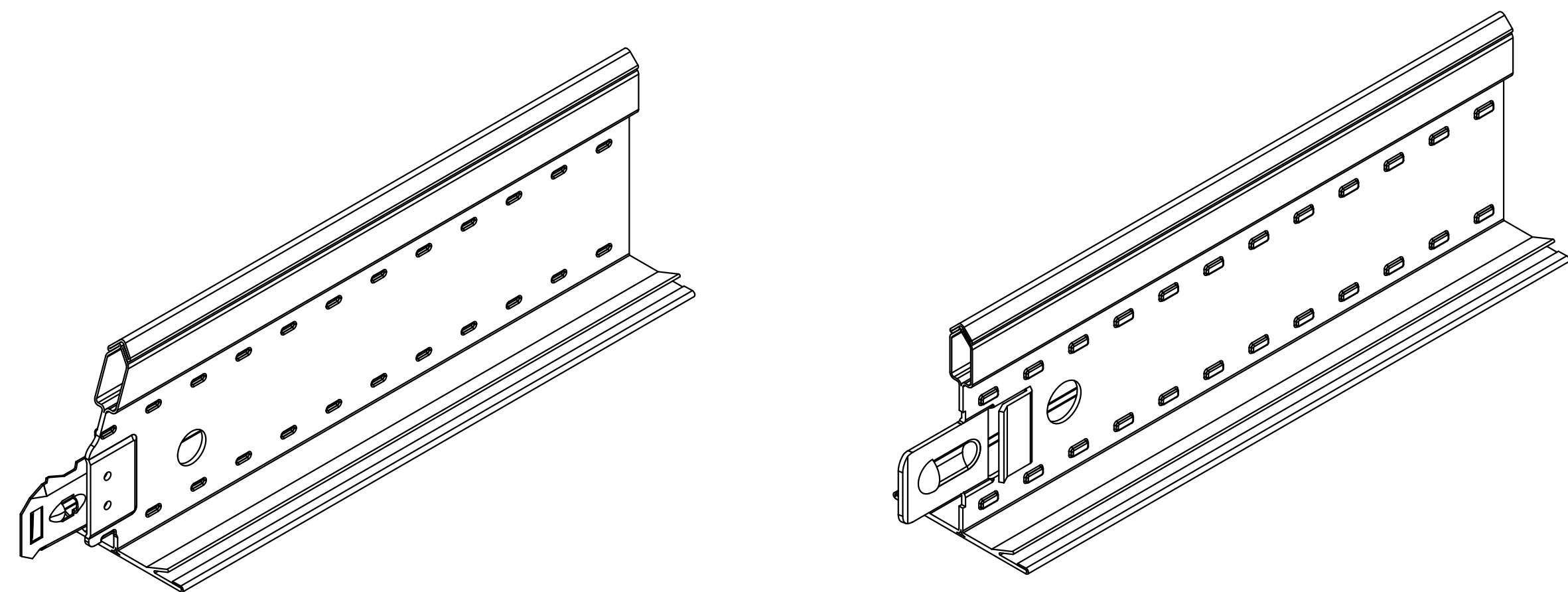
Armstrong is not licensed to provide professional architecture or engineering design services.

PROJECT NAME: <b>CLEAN ROOM MASTER SHEET</b>			
DWG. NO. <b>A-C001-MS-00</b>		REV: .	DATE: .
DATE: <b>9/10/24</b>	SCALE: .	DESC.: .	
DRAWN BY: <b>DAG</b>	CHK BY: .		



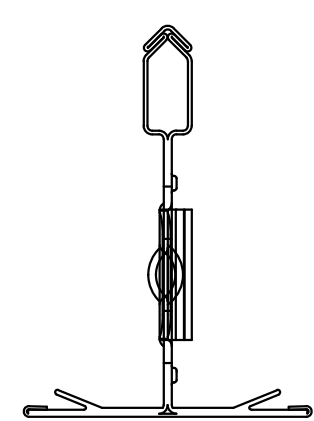
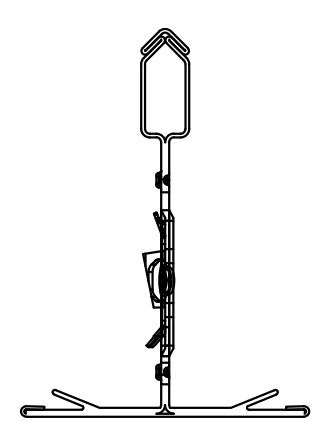
CEILING & WALL SOLUTIONS \* ARMSTRONG WORLD INDUSTRIES, INC. \* Lancaster, PA \* Phone: 877-ARMSTRONG



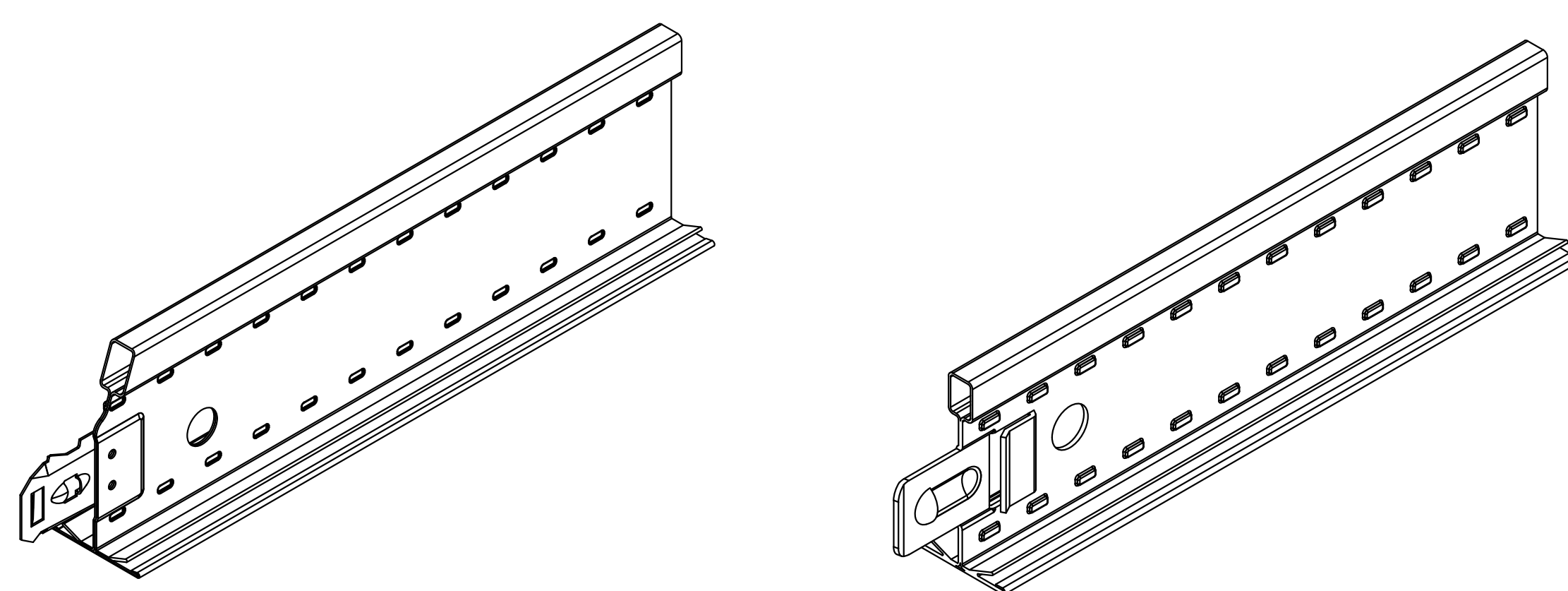


CROSS TEE

MAIN BEAM

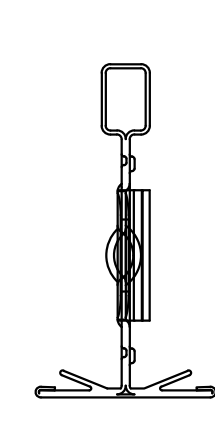
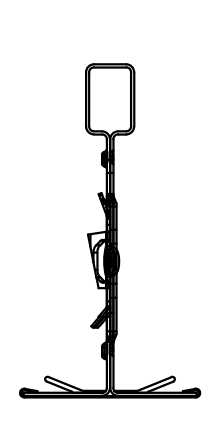


DD-01 1-1/2" CLEAN ROOM CO-EXTRUDED ALUMINUM

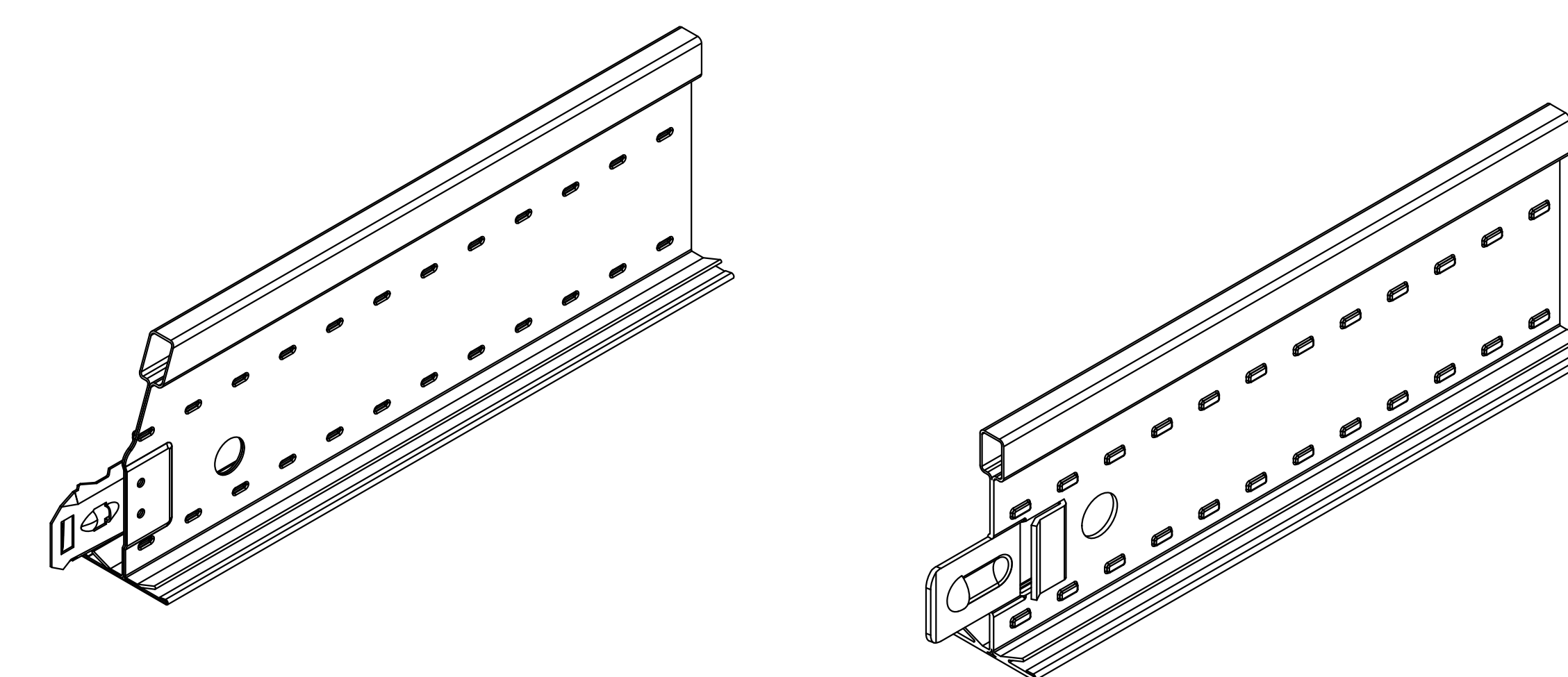


CROSS TEE

MAIN BEAM

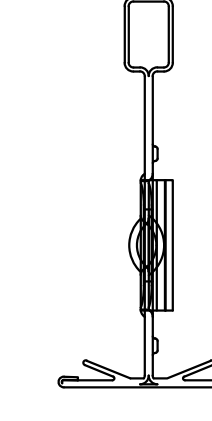
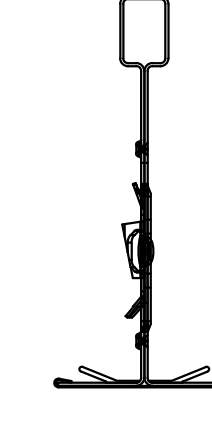


DD-02 15/16" CLEAN ROOM CO-EXTRUDED STEEL

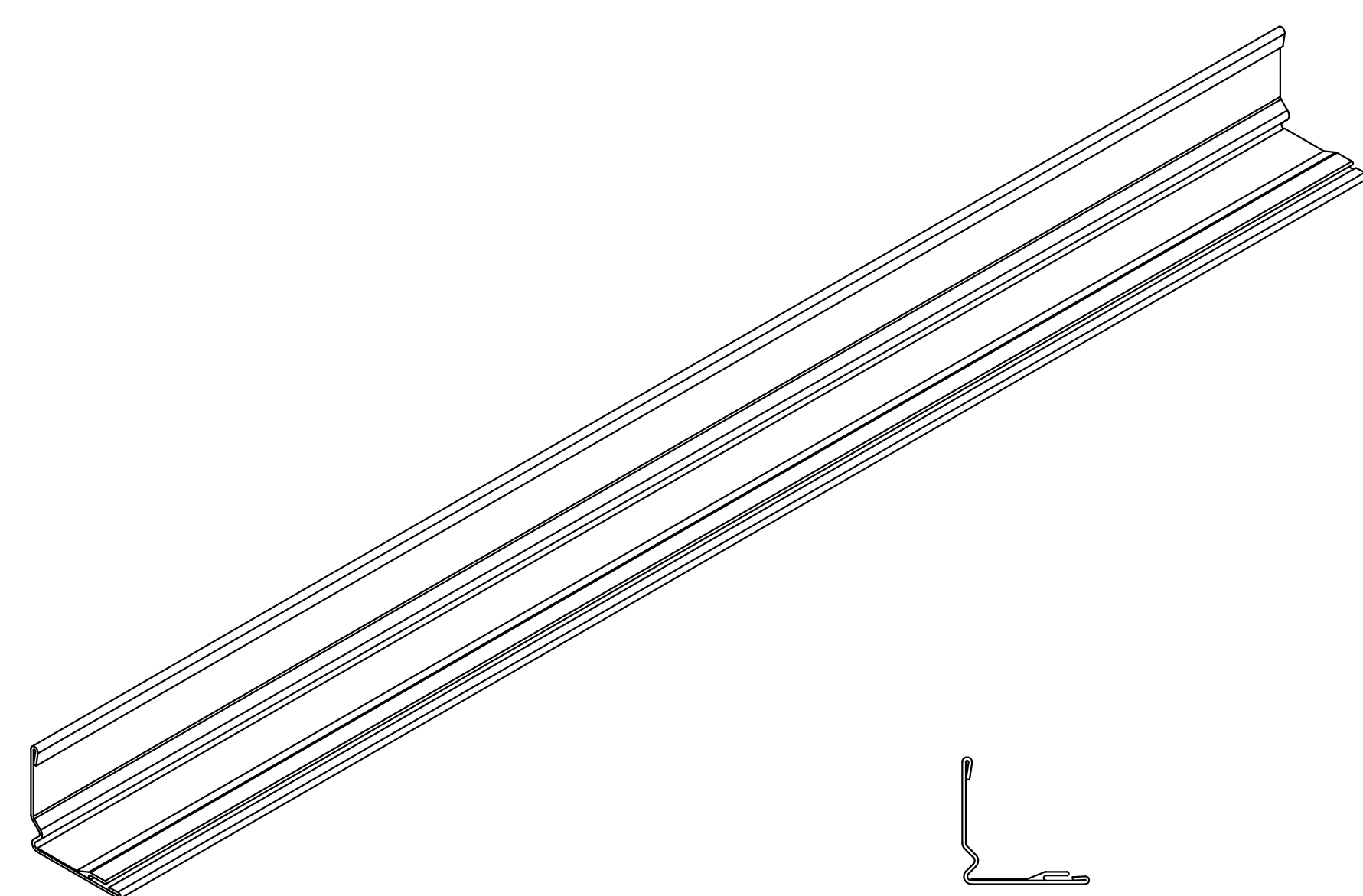


CROSS TEE

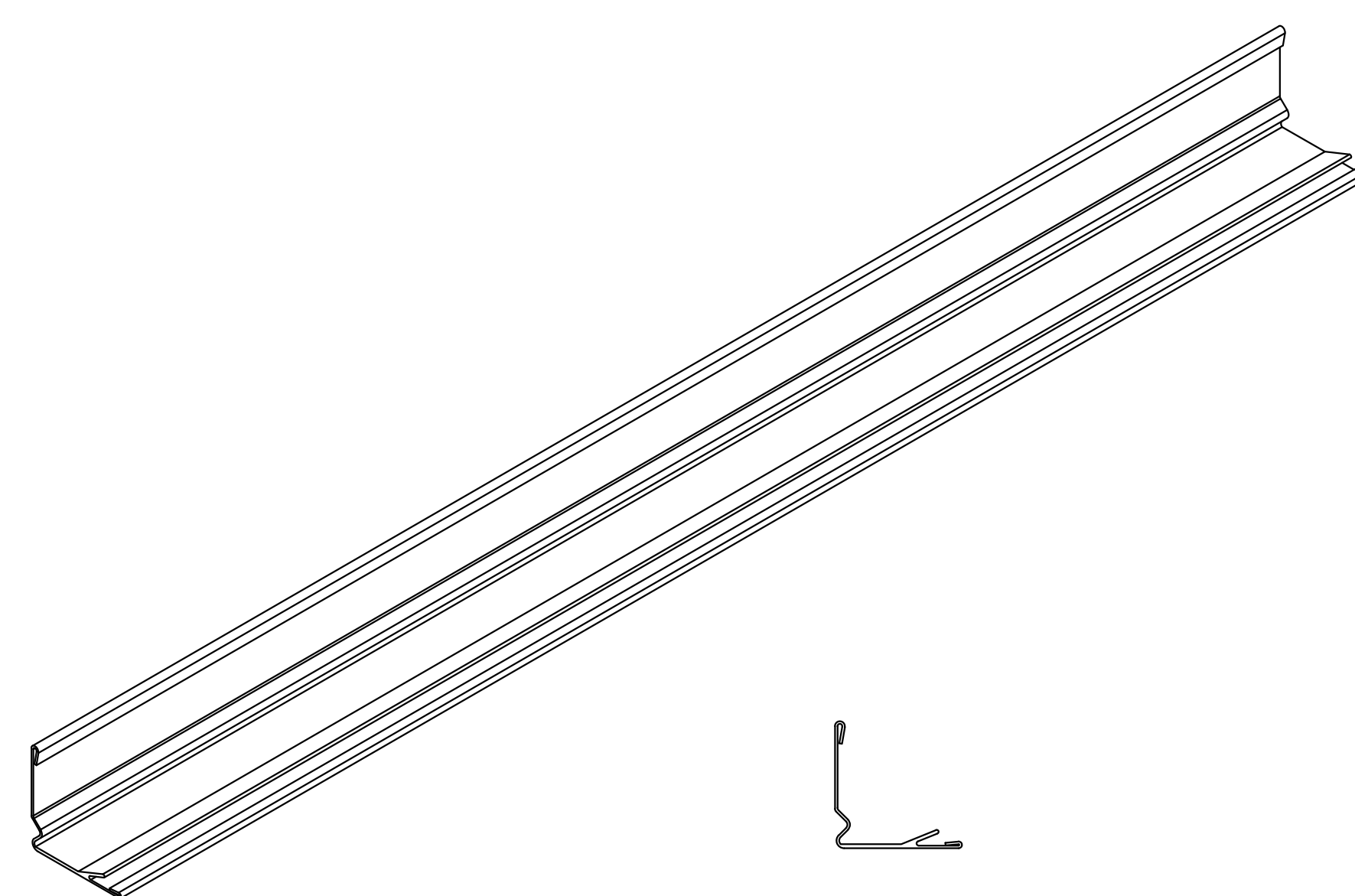
MAIN BEAM



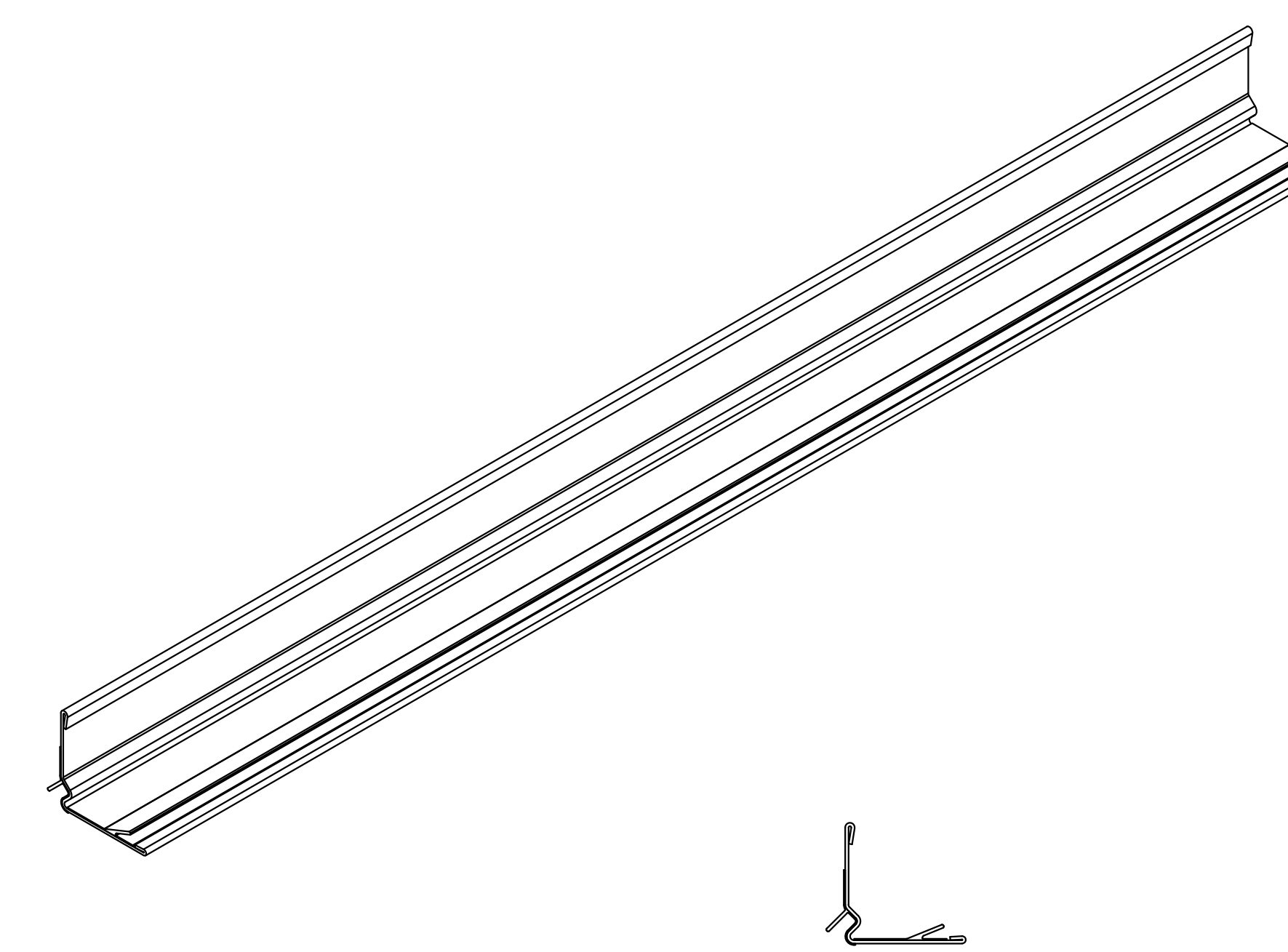
DD-03 15/16" CLEAN ROOM CO-EXTRUDED ALUMINUM



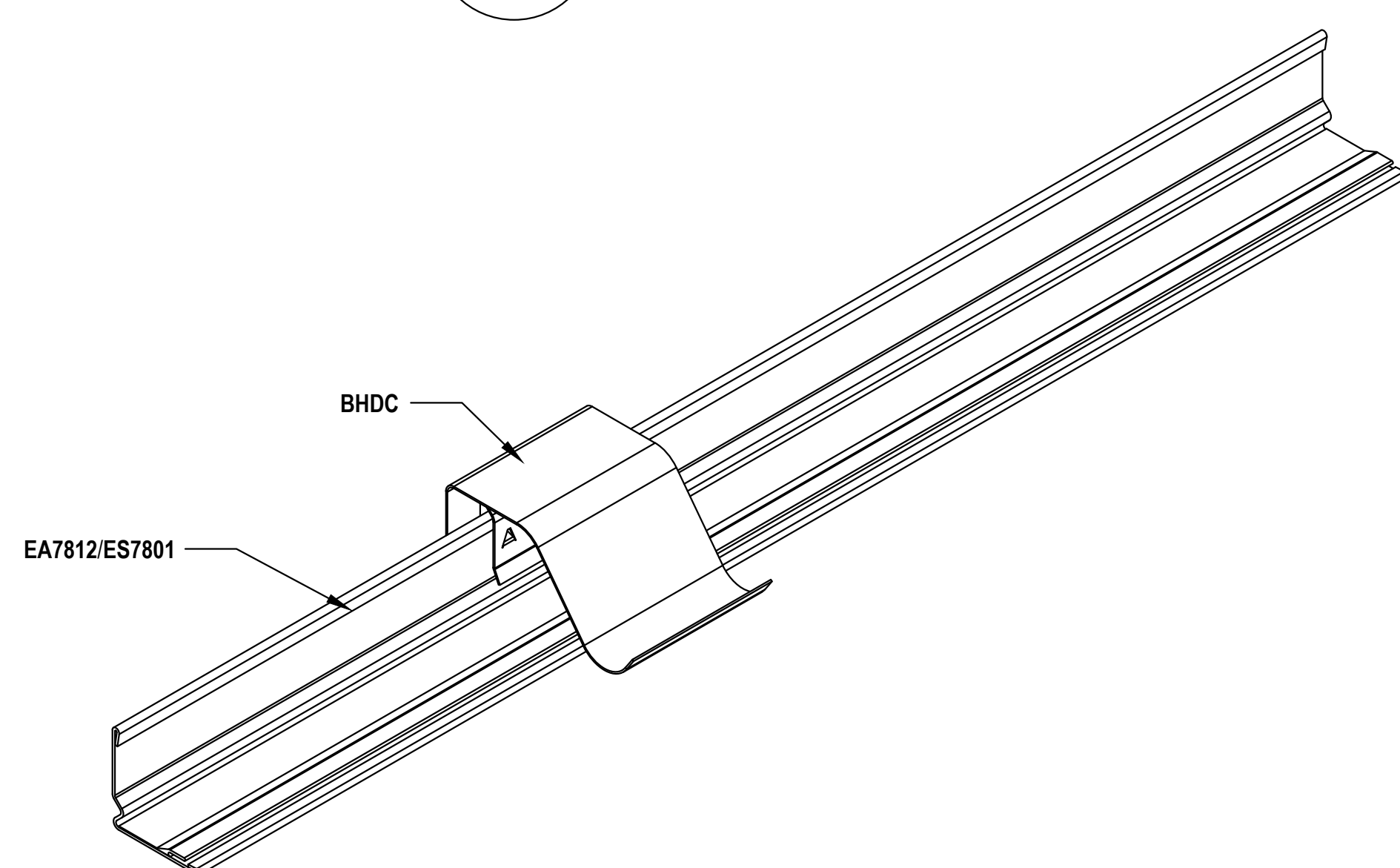
DD-04 EA7812 - CLEAN ROOM ALUMINUM ANGLE MOLDING



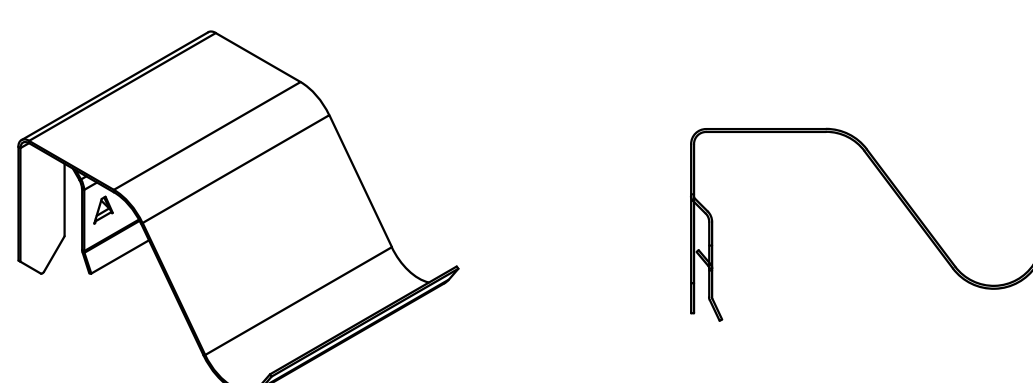
DD-05 ES7801 - CLEAN ROOM STEEL ANGLE MOLDING



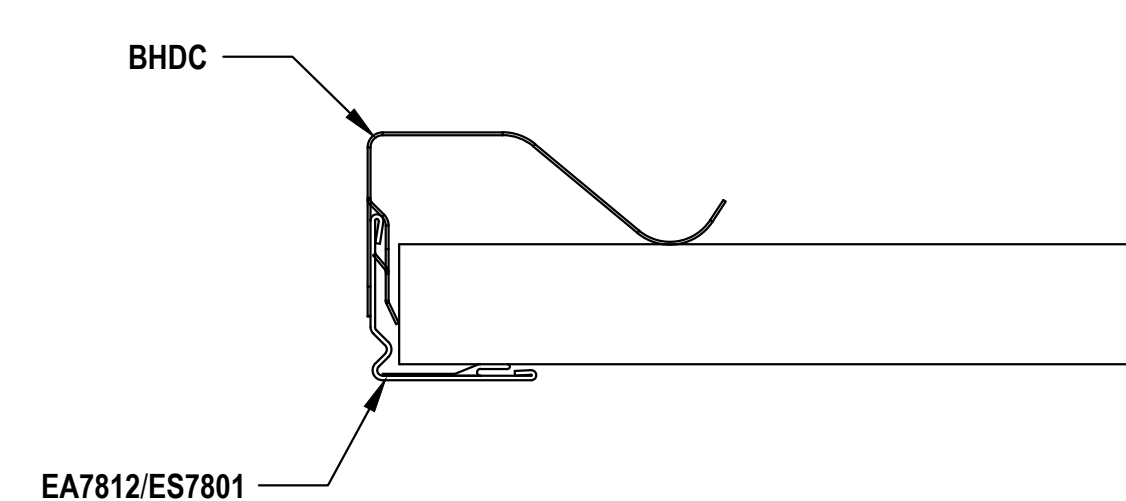
DD-06 EA7812WG - CLEAN ROOM ALUMINUM ANGLE MOLDING WITH WALL GASKET



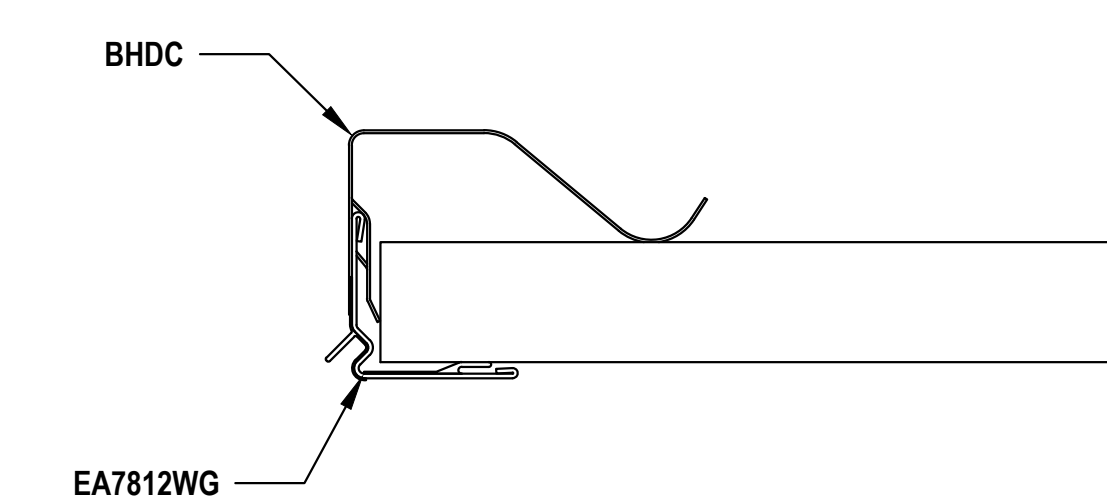
DD-07 BHDC WITH CLEAN ROOM ANGLE MOLDING



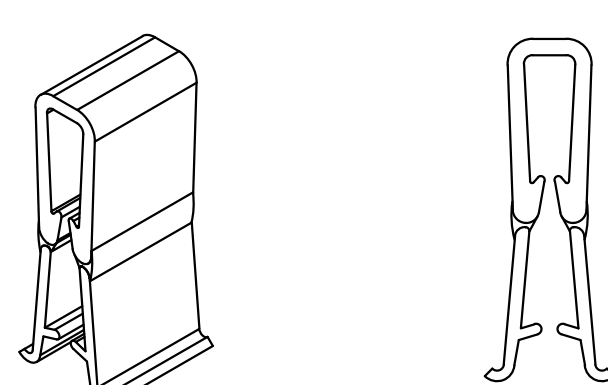
DD-08 BORDER HOLD DOWN CLIP BHDC



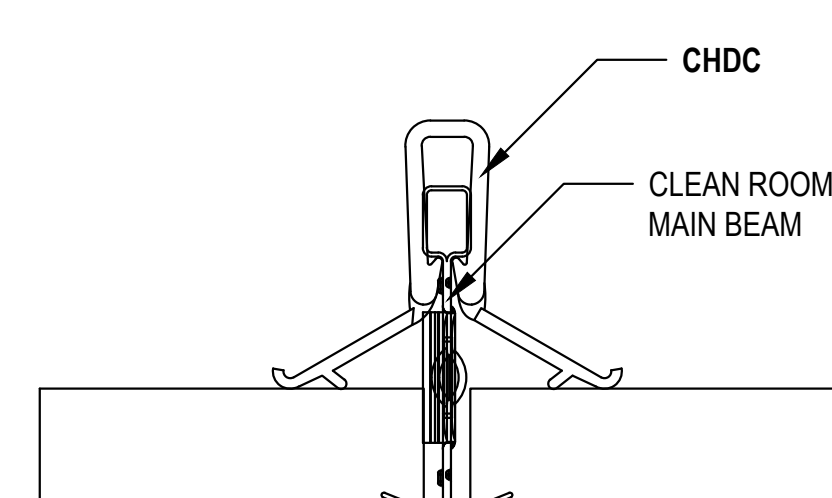
DD-09 EA7812 & ES7801 WITH BHDC



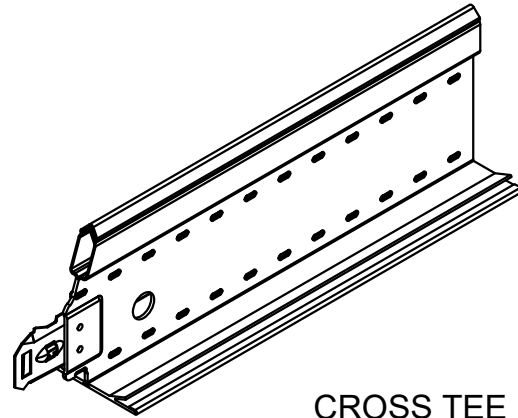
DD-10 EA7812WG WITH BHDC



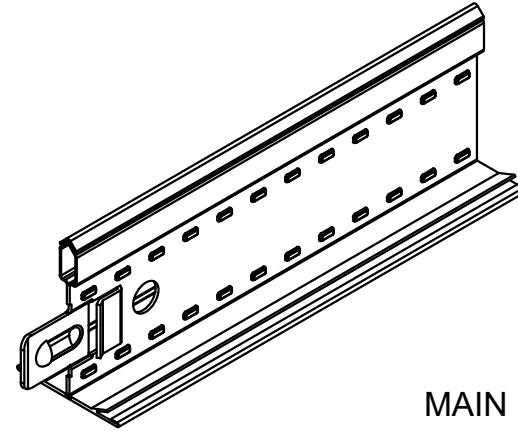
DD-11 CHDC



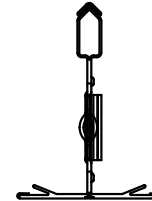
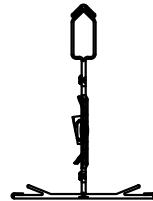
DD-12 CHDC WITH CLEAN ROOM MAIN BEAM



CROSS TEE



MAIN BEAM



**DD-01** 1-1/2" CLEAN ROOM CO-EXTRUDED ALUMINUM

These drawings show typical conditions in which the Armstrong product depicted is installed. They are not a substitute for an architect's or engineer's plan and do not reflect the unique requirements of local building codes, laws, statutes, ordinances, rules and regulations (Legal Requirements) that may be applicable for a particular installation.

Armstrong does not warrant, and assumes no liability for the accuracy or completeness of the drawings for a particular installation or their fitness for a particular purpose. The user is advised to consult with a duly licensed architect or engineer in the particular locale of the installation to assure compliance with all Legal Requirements.

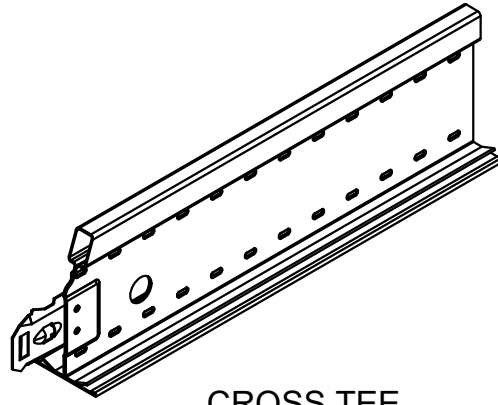
Armstrong is not licensed to provide professional architecture or engineering design services.

PROJECT NAME: <b>CLEAN ROOM MASTER SHEET</b>			
1-1/2" CLEAN ROOM CO-EXTRUDED ALUMINUM			
DWG. NO. <b>A-C001-DD-01</b>		REV: .	DATE: .
DATE: <b>9/9/24</b>	SCALE: <b>6"=1'-0"</b>	DESC.: .	
DRAWN BY: <b>DAG</b>	CHK BY: .		

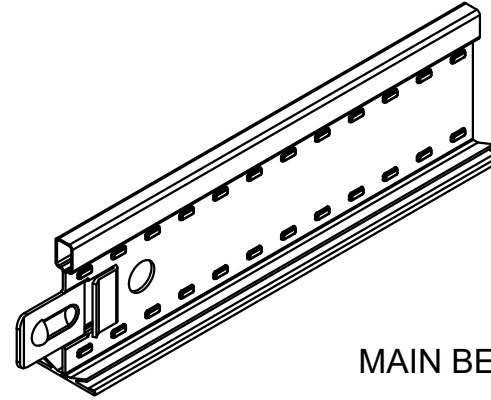


CEILING & WALL SOLUTIONS \* ARMSTRONG WORLD INDUSTRIES, INC. \* Lancaster, PA \* Phone: 877-ARMSTRONG

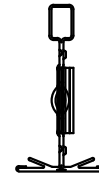




CROSS TEE



MAIN BEAM



**DD-02** 15/16" CLEAN ROOM CO-EXTRUDED STEEL

These drawings show typical conditions in which the Armstrong product depicted is installed. They are not a substitute for an architect's or engineer's plan and do not reflect the unique requirements of local building codes, laws, statutes, ordinances, rules and regulations (Legal Requirements) that may be applicable for a particular installation.

Armstrong does not warrant, and assumes no liability for the accuracy or completeness of the drawings for a particular installation or their fitness for a particular purpose. The user is advised to consult with a duly licensed architect or engineer in the particular locale of the installation to assure compliance with all Legal Requirements.

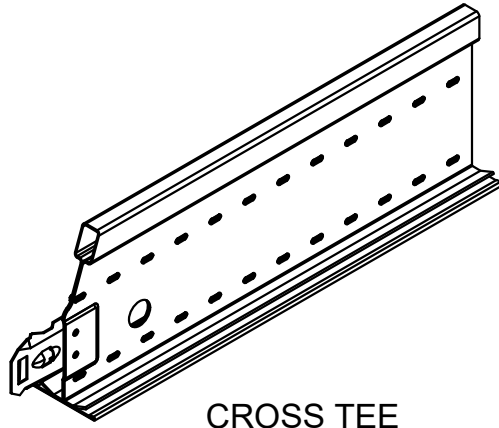
Armstrong is not licensed to provide professional architecture or engineering design services.

PROJECT NAME:		CLEAN ROOM MASTER SHEET 15/16" CO-EXTRUDED STEEL	
DWG. NO. A-C001-DD-02		REV: .	DATE: .
DATE: 9/9/24	SCALE: 6"=1'-0"	DESC.: .	
DRAWN BY: DAG	CHK BY: .		

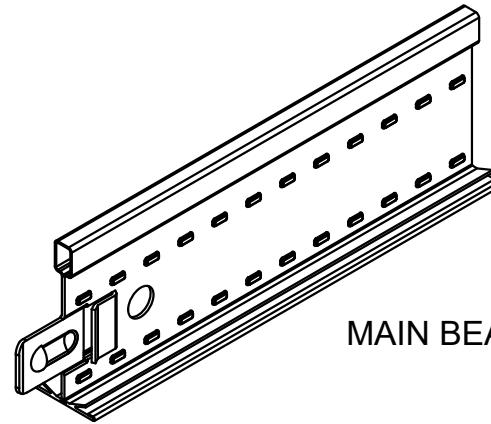


CEILING & WALL SOLUTIONS \* ARMSTRONG WORLD INDUSTRIES, INC. \* Lancaster, PA \* Phone: 877-ARMSTRONG

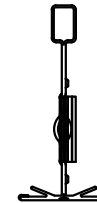




CROSS TEE



MAIN BEAM



**DD-03** 15/16" CLEAN ROOM CO-EXTRUDED ALUMINUM

These drawings show typical conditions in which the Armstrong product depicted is installed. They are not a substitute for an architect's or engineer's plan and do not reflect the unique requirements of local building codes, laws, statutes, ordinances, rules and regulations (Legal Requirements) that may be applicable for a particular installation.

Armstrong does not warrant, and assumes no liability for the accuracy or completeness of the drawings for a particular installation or their fitness for a particular purpose. The user is advised to consult with a duly licensed architect or engineer in the particular locale of the installation to assure compliance with all Legal Requirements.

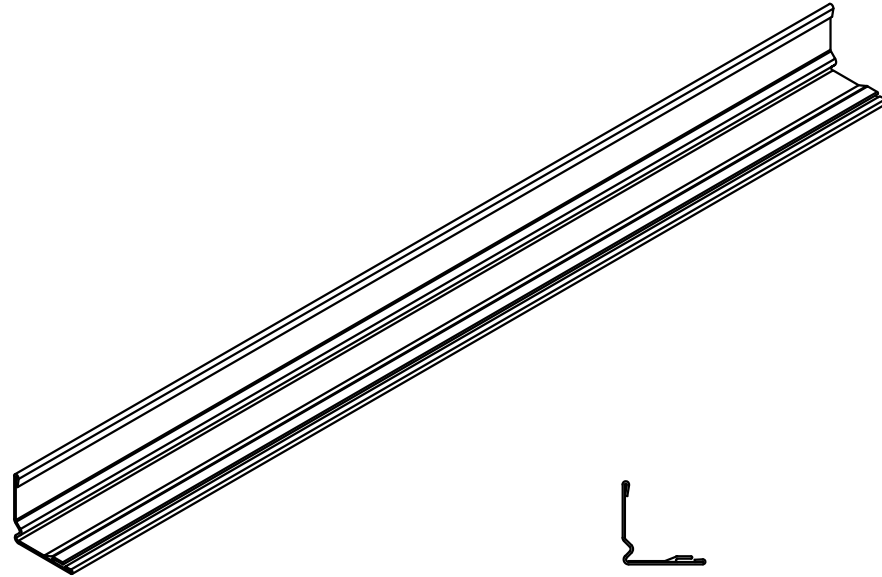
Armstrong is not licensed to provide professional architecture or engineering design services.

PROJECT NAME: CLEAN ROOM MASTER SHEET 15/16" CLEAN ROOM CO-EXTRUDED ALUMINUM			
DWG. NO. A-C001-DD-03		REV: .	DATE: .
DATE: 9/9/24	SCALE: 6"=1'-0"	DESC.: .	
DRAWN BY: DAG	CHK BY: .		



CEILING & WALL SOLUTIONS \* ARMSTRONG WORLD INDUSTRIES, INC. \* Lancaster, PA \* Phone: 877-ARMSTRONG





DD-04

EA7812 - CLEAN ROOM ALUMINUM ANGLE MOLDING

These drawings show typical conditions in which the Armstrong product depicted is installed. They are not a substitute for an architect's or engineer's plan and do not reflect the unique requirements of local building codes, laws, statutes, ordinances, rules and regulations (Legal Requirements) that may be applicable for a particular installation.

Armstrong does not warrant, and assumes no liability for the accuracy or completeness of the drawings for a particular installation or their fitness for a particular purpose. The user is advised to consult with a duly licensed architect or engineer in the particular locale of the installation to assure compliance with all Legal Requirements.

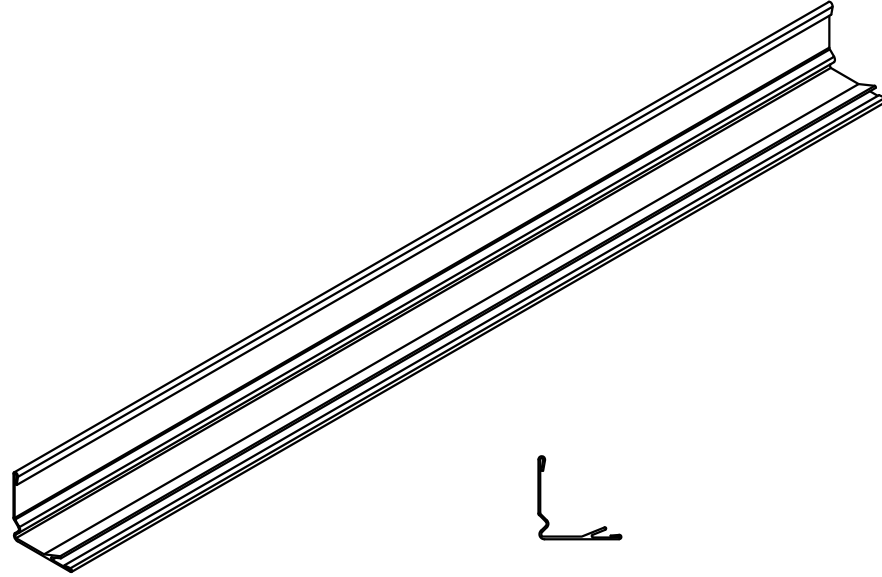
Armstrong is not licensed to provide professional architecture or engineering design services.

PROJECT NAME: CLEAN ROOM MASTER SHEET EA7812		REV: .	DATE: .
DWG. NO. A-C001-DD-04		SCALE: 6"=1'-0"	DESC.: .
DATE: 9/9/24	DRAWN BY: DAG	CHK BY: .	



CEILING & WALL SOLUTIONS \* ARMSTRONG WORLD INDUSTRIES, INC. \* Lancaster, PA \* Phone: 877-ARMSTRONG





DD-05

ES7801- CLEAN ROOM STEEL ANGLE MOLDING

These drawings show typical conditions in which the Armstrong product depicted is installed. They are not a substitute for an architect's or engineer's plan and do not reflect the unique requirements of local building codes, laws, statutes, ordinances, rules and regulations (Legal Requirements) that may be applicable for a particular installation.

Armstrong does not warrant, and assumes no liability for the accuracy or completeness of the drawings for a particular installation or their fitness for a particular purpose. The user is advised to consult with a duly licensed architect or engineer in the particular locale of the installation to assure compliance with all Legal Requirements.

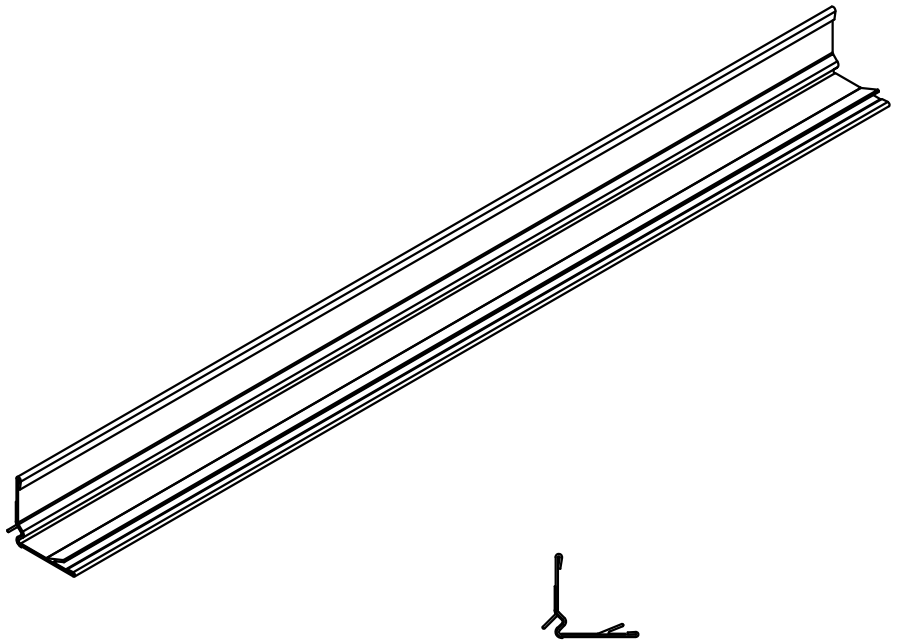
Armstrong is not licensed to provide professional architecture or engineering design services.

PROJECT NAME:		CLEAN ROOM MASTER SHEET ES7801	
DWG. NO. A-C001-DD-05		REV: .	DATE: .
DATE: 9/9/24	SCALE: 6"=1'-0"	DESC.: .	
DRAWN BY: DAG	CHK BY: .		



CEILING & WALL SOLUTIONS \* ARMSTRONG WORLD INDUSTRIES, INC. \* Lancaster, PA \* Phone: 877-ARMSTRONG





DD-06

**EA7812WG - CLEAN ROOM ALUMINUM  
ANGLE MOLDING WITH WALL GASKET**

These drawings show typical conditions in which the Armstrong product depicted is installed. They are not a substitute for an architect's or engineer's plan and do not reflect the unique requirements of local building codes, laws, statutes, ordinances, rules and regulations (Legal Requirements) that may be applicable for a particular installation.

Armstrong does not warrant, and assumes no liability for the accuracy or completeness of the drawings for a particular installation or their fitness for a particular purpose. The user is advised to consult with a duly licensed architect or engineer in the particular locale of the installation to assure compliance with all Legal Requirements.

Armstrong is not licensed to provide professional architecture or engineering design services.

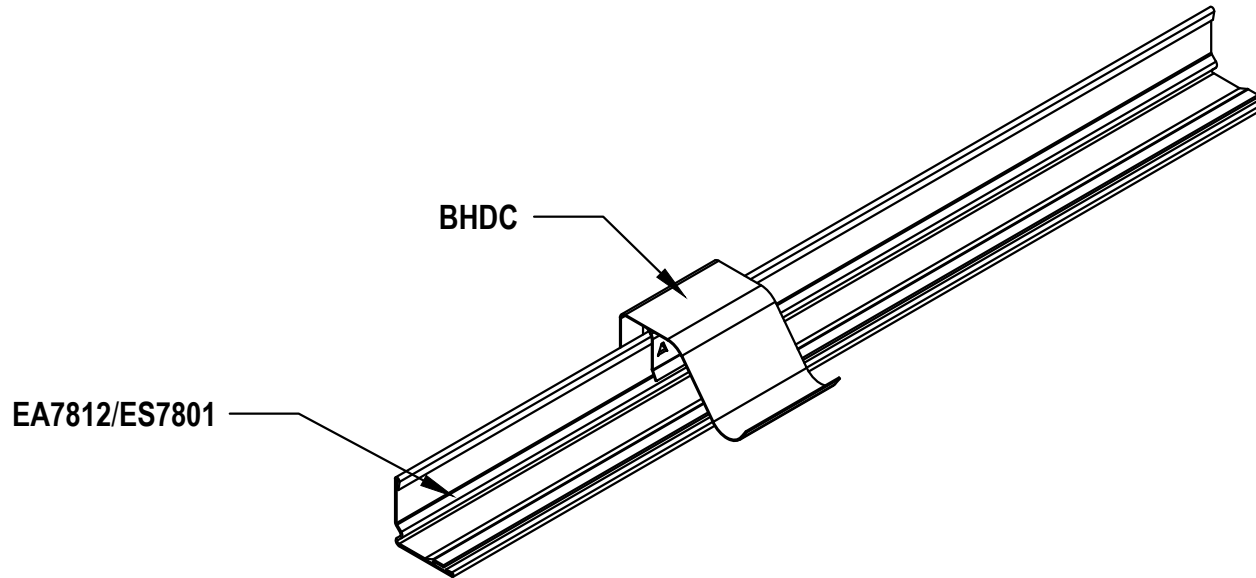
PROJECT NAME: <b>CLEAN ROOM MASTER SHEET EA7812WG</b>		REV: .	DATE: .
DWG. NO. <b>A-C001-DD-06</b>		SCALE: <b>6"=1'-0"</b>	DESC.: .
DATE: <b>9/9/24</b>	DRAWN BY: <b>DAG</b>	CHK BY: .	



CEILING & WALL SOLUTIONS \* ARMSTRONG WORLD INDUSTRIES, INC. \* Lancaster, PA \* Phone: 877-ARMSTRONG







**DD-07** BHCD WITH CLEAN ROOM ANGLE MOLDING

These drawings show typical conditions in which the Armstrong product depicted is installed. They are not a substitute for an architect's or engineer's plan and do not reflect the unique requirements of local building codes, laws, statutes, ordinances, rules and regulations (Legal Requirements) that may be applicable for a particular installation.

Armstrong does not warrant, and assumes no liability for the accuracy or completeness of the drawings for a particular installation or their fitness for a particular purpose. The user is advised to consult with a duly licensed architect or engineer in the particular locale of the installation to assure compliance with all Legal Requirements.

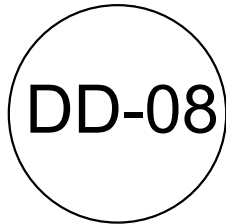
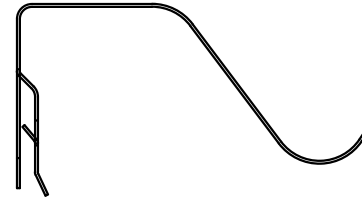
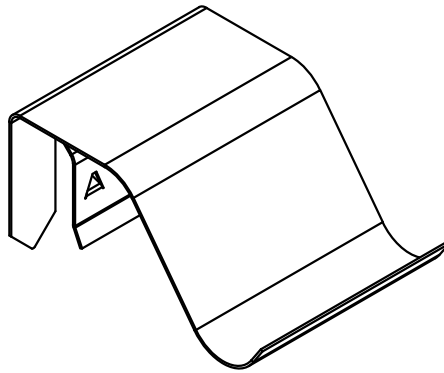
Armstrong is not licensed to provide professional architecture or engineering design services.

PROJECT NAME: <b>CLEAN ROOM MASTER SHEET</b>			
BHCD WITH CLEAN ROOM ANGLE MOLDING			
DWG. NO. <b>A-C001-DD-07</b>		REV: .	DATE: .
DATE: <b>9/9/24</b>	SCALE: <b>6"=1'-0"</b>	DESC.: .	
DRAWN BY: <b>DAG</b>	CHK BY: .		



CEILING & WALL SOLUTIONS \* ARMSTRONG WORLD INDUSTRIES, INC. \* Lancaster, PA \* Phone: 877-ARMSTRONG





## BORDER HOLD DOWN CLIP BHDC

These drawings show typical conditions in which the Armstrong product depicted is installed. They are not a substitute for an architect's or engineer's plan and do not reflect the unique requirements of local building codes, laws, statutes, ordinances, rules and regulations (Legal Requirements) that may be applicable for a particular installation.

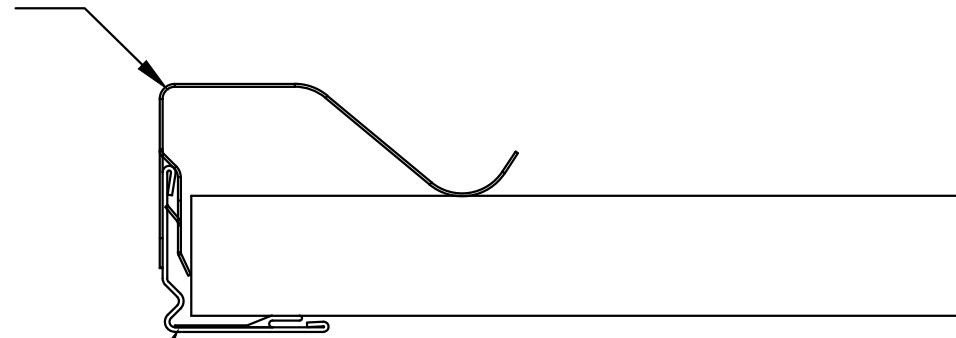
Armstrong does not warrant, and assumes no liability for the accuracy or completeness of the drawings for a particular installation or their fitness for a particular purpose. The user is advised to consult with a duly licensed architect or engineer in the particular locale of the installation to assure compliance with all Legal Requirements.

Armstrong is not licensed to provide professional architecture or engineering design services.

PROJECT NAME:		CLEAN ROOM MASTER SHEET BHDC	
DWG. NO. A-C001-DD-08		REV: .	DATE: .
DATE: 9/10/24	SCALE: 1'-0"=1'-0"	DESC.: .	
DRAWN BY: DAG	CHK BY: .		

BHDC

EA7812/ES7801



**DD-09** EA7812 & ES7801 WITH BHDC

These drawings show typical conditions in which the Armstrong product depicted is installed. They are not a substitute for an architect's or engineer's plan and do not reflect the unique requirements of local building codes, laws, statutes, ordinances, rules and regulations (Legal Requirements) that may be applicable for a particular installation.

Armstrong does not warrant, and assumes no liability for the accuracy or completeness of the drawings for a particular installation or their fitness for a particular purpose. The user is advised to consult with a duly licensed architect or engineer in the particular locale of the installation to assure compliance with all Legal Requirements.

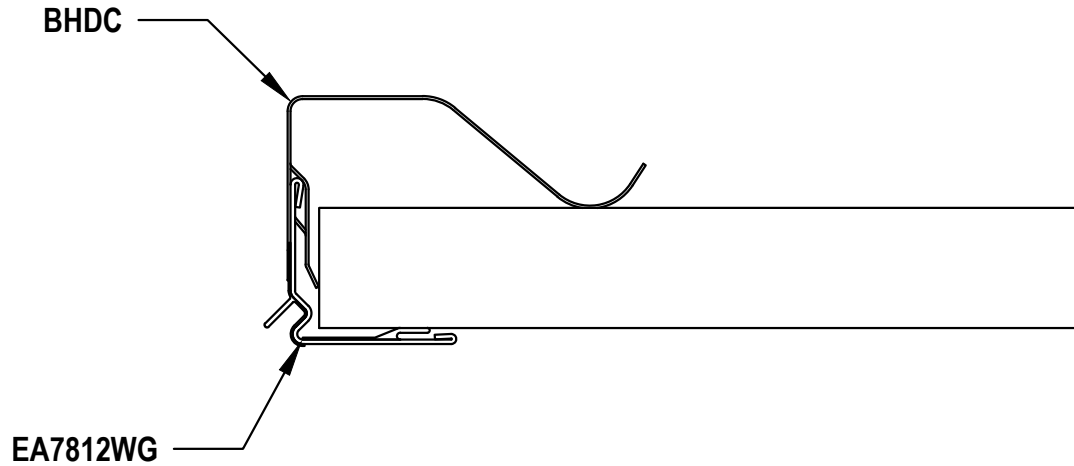
Armstrong is not licensed to provide professional architecture or engineering design services.

PROJECT NAME:		CLEAN ROOM MASTER SHEET EA7812 & ES7801 WITH BHDC	
DWG. NO. A-C001-DD-09		REV: .	DATE: .
DATE: 9/10/24	SCALE: 1'-0"=1'-0"	DESC.: .	
DRAWN BY: DAG	CHK BY: .		



CEILING & WALL SOLUTIONS \* ARMSTRONG WORLD INDUSTRIES, INC. \* Lancaster, PA \* Phone: 877-ARMSTRONG





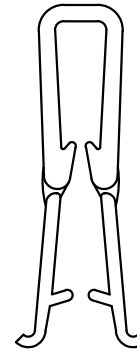
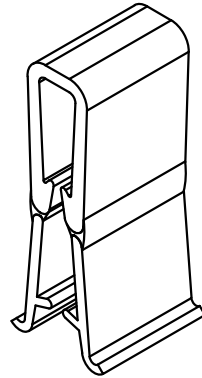
**DD-10** EA7812WG WITH BHDC

These drawings show typical conditions in which the Armstrong product depicted is installed. They are not a substitute for an architect's or engineer's plan and do not reflect the unique requirements of local building codes, laws, statutes, ordinances, rules and regulations (Legal Requirements) that may be applicable for a particular installation.

Armstrong does not warrant, and assumes no liability for the accuracy or completeness of the drawings for a particular installation or their fitness for a particular purpose. The user is advised to consult with a duly licensed architect or engineer in the particular locale of the installation to assure compliance with all Legal Requirements.

Armstrong is not licensed to provide professional architecture or engineering design services.

PROJECT NAME: <b>CLEAN ROOM MASTER SHEET EA7812WG WITH BHDC</b>			
DWG. NO. <b>A-C001-DD-10</b>		REV: .	DATE: .
DATE: <b>9/10/24</b>	SCALE: <b>1'-0"=1'-0"</b>	DESC.: .	
DRAWN BY: <b>DAG</b>	CHK BY: .		



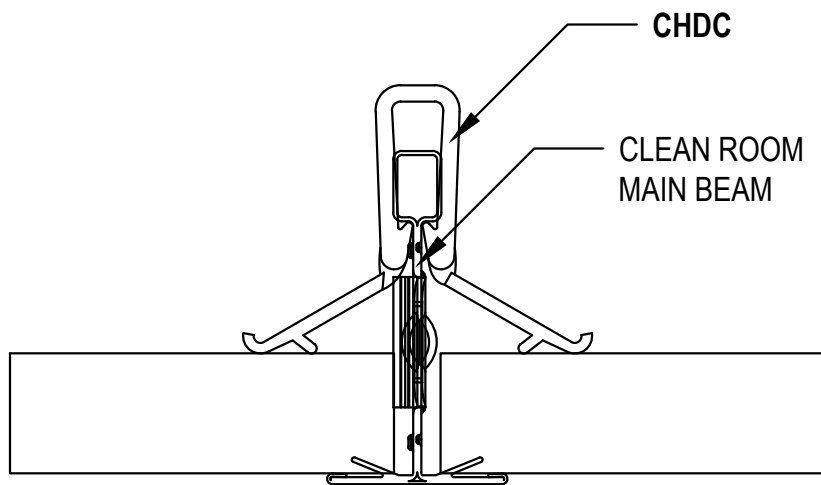
**DD-11** CHDC

These drawings show typical conditions in which the Armstrong product depicted is installed. They are not a substitute for an architect's or engineer's plan and do not reflect the unique requirements of local building codes, laws, statutes, ordinances, rules and regulations (Legal Requirements) that may be applicable for a particular installation.

Armstrong does not warrant, and assumes no liability for the accuracy or completeness of the drawings for a particular installation or their fitness for a particular purpose. The user is advised to consult with a duly licensed architect or engineer in the particular locale of the installation to assure compliance with all Legal Requirements.

Armstrong is not licensed to provide professional architecture or engineering design services.

PROJECT NAME: <b>CLEAN ROOM MASTER SHEET</b>		REV: .	DATE: .
DWG. NO. <b>A-C001-DD-11</b>		DESC.: .	
DATE: <b>9/10/24</b>	SCALE: <b>1'-0"=1'-0"</b>		
DRAWN BY: <b>DAG</b>	CHK BY: .		



**DD-12** CHDC WITH CLEAN ROOM MAIN BEAM

These drawings show typical conditions in which the Armstrong product depicted is installed. They are not a substitute for an architect's or engineer's plan and do not reflect the unique requirements of local building codes, laws, statutes, ordinances, rules and regulations (Legal Requirements) that may be applicable for a particular installation.

Armstrong does not warrant, and assumes no liability for the accuracy or completeness of the drawings for a particular installation or their fitness for a particular purpose. The user is advised to consult with a duly licensed architect or engineer in the particular locale of the installation to assure compliance with all Legal Requirements.

Armstrong is not licensed to provide professional architecture or engineering design services.

PROJECT NAME: <b>CLEAN ROOM MASTER SHEET CHDC WITH CLEAN ROOM MAIN BEAM</b>			
DWG. NO. <b>A-C001-DD-12</b>		REV: .	DATE: .
DATE: <b>9/10/24</b>	SCALE: <b>1'-0"=1'-0"</b>	DESC.: .	
DRAWN BY: <b>DAG</b>	CHK BY: .		