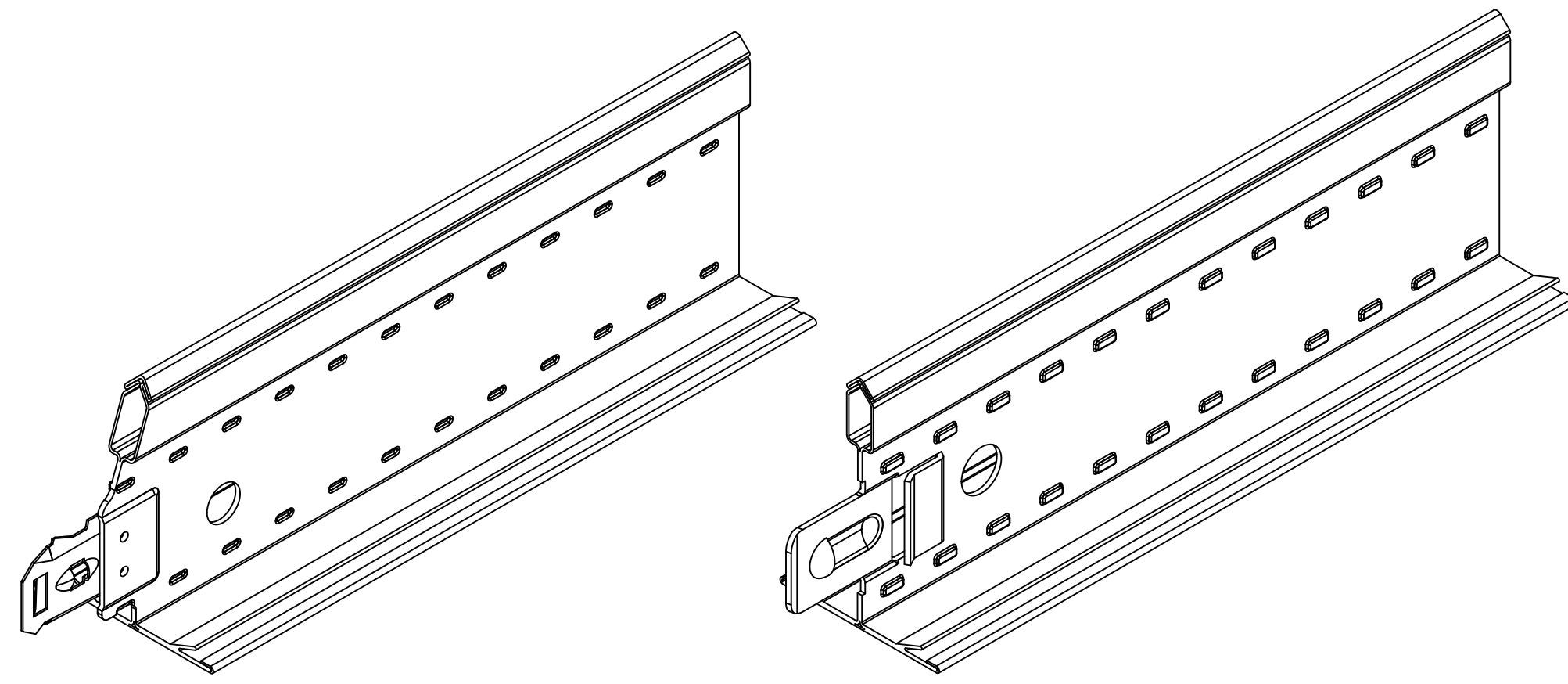
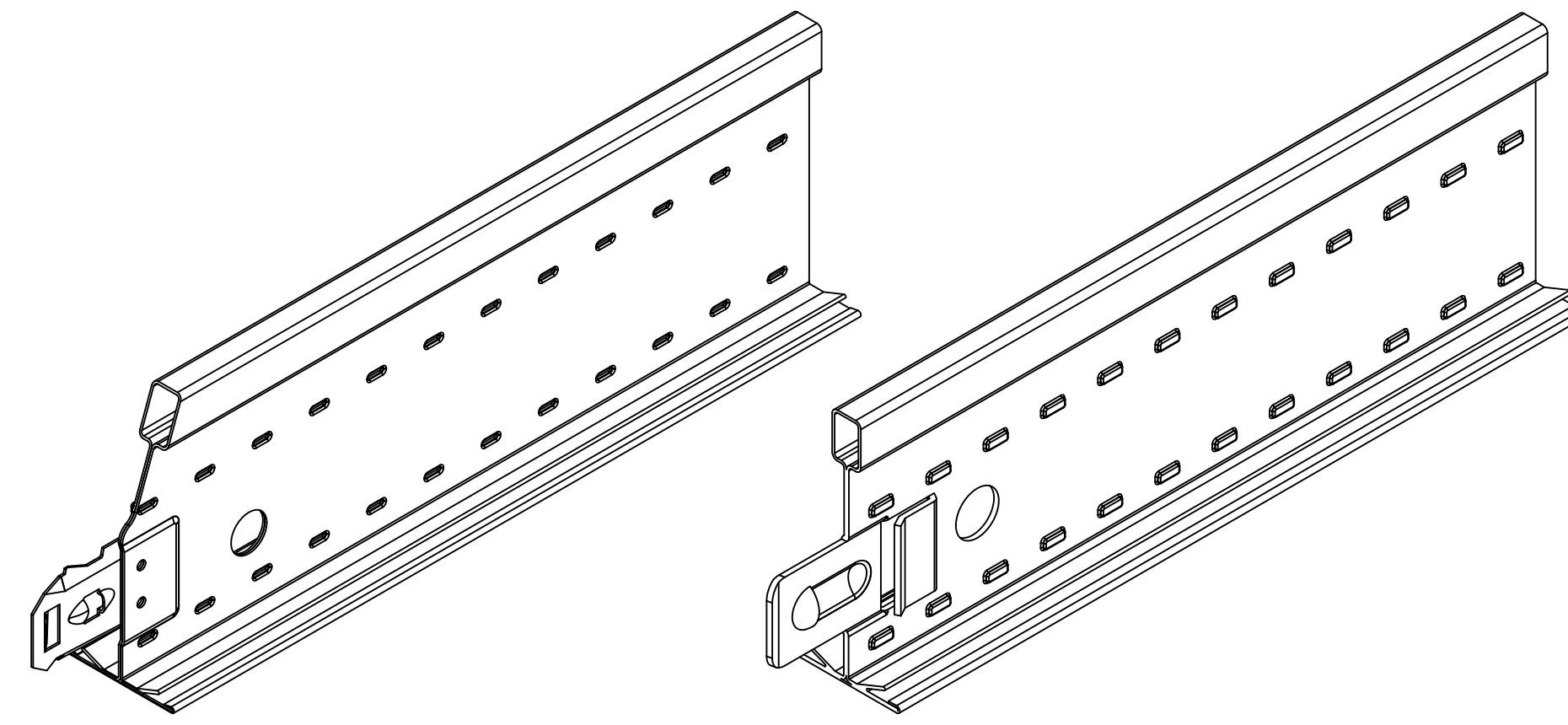


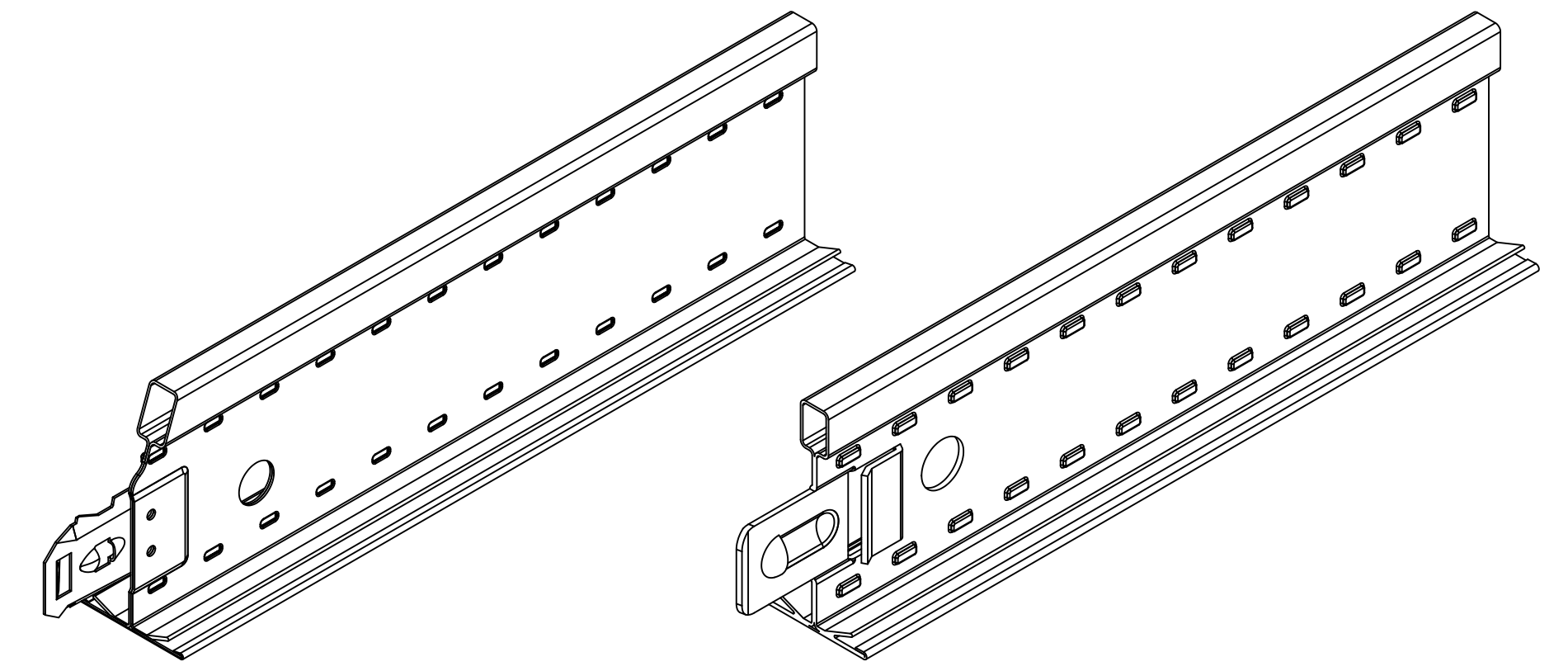
1-1/2" Clean Room Co-Extruded Aluminum



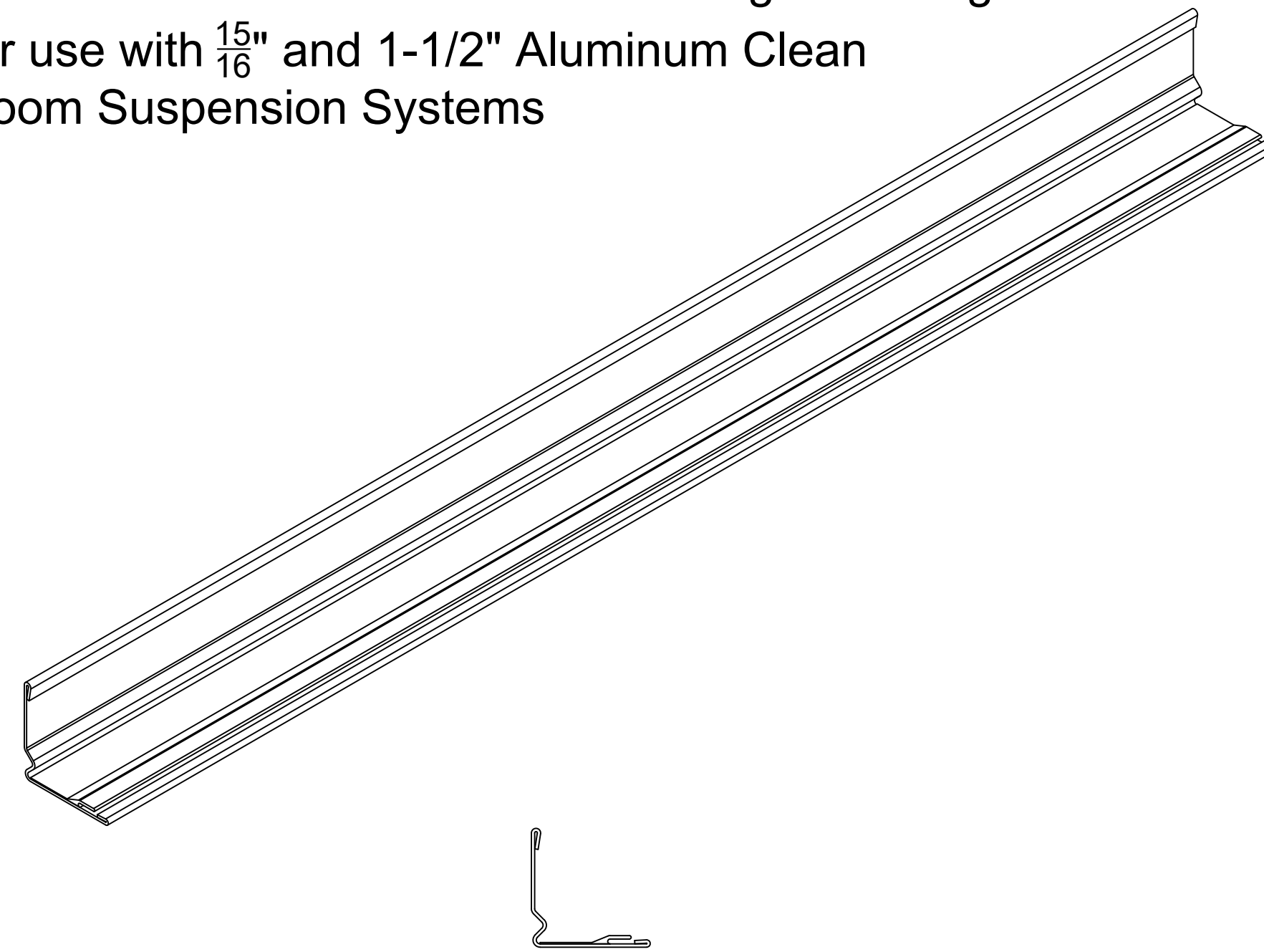
15/16" Clean Room Co-Extruded Steel



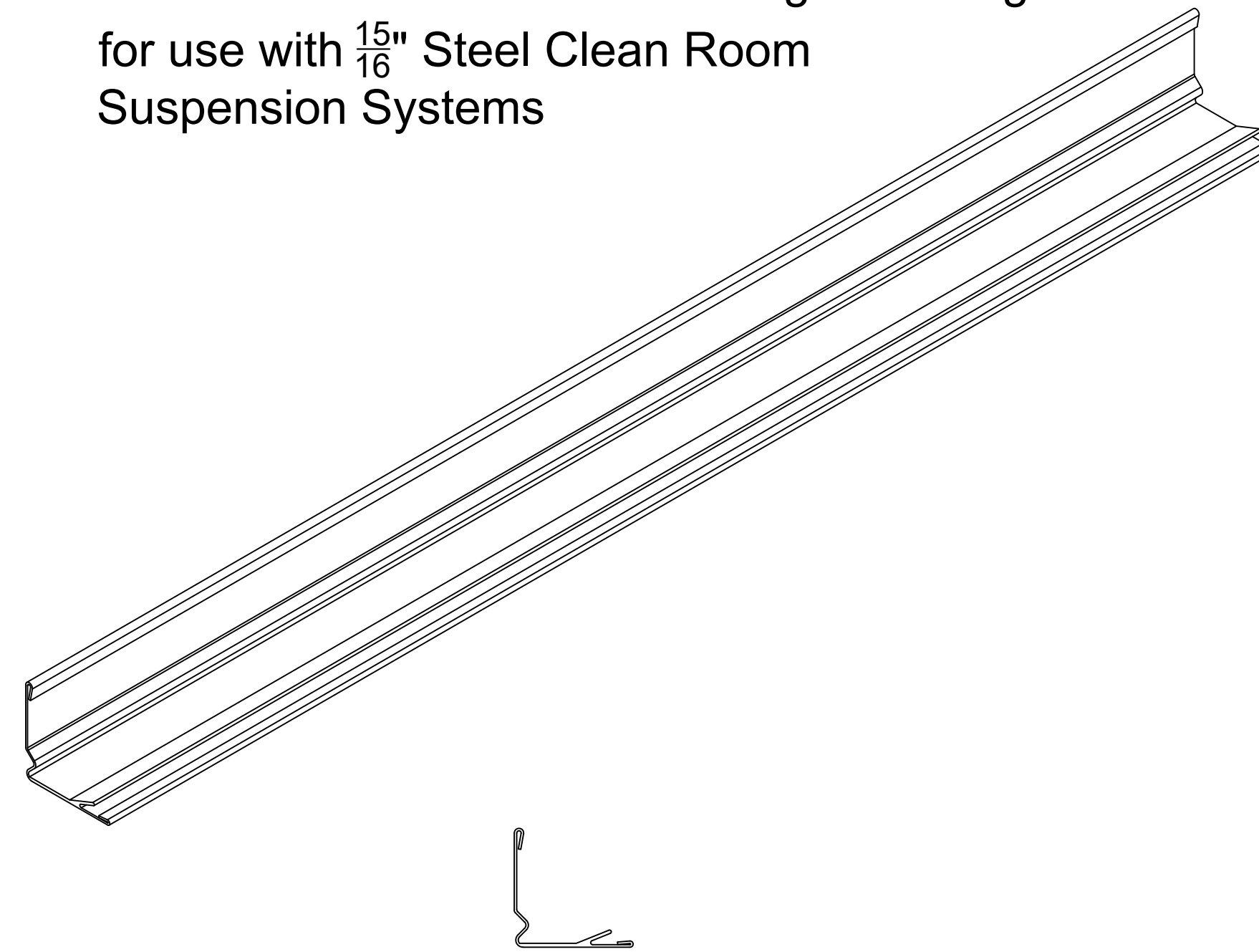
15/16" Clean Room Co-Extruded Aluminum



EA 7812 - Clean Room Aluminum Angle Molding
for use with 15/16" and 1-1/2" Aluminum Clean
Room Suspension Systems

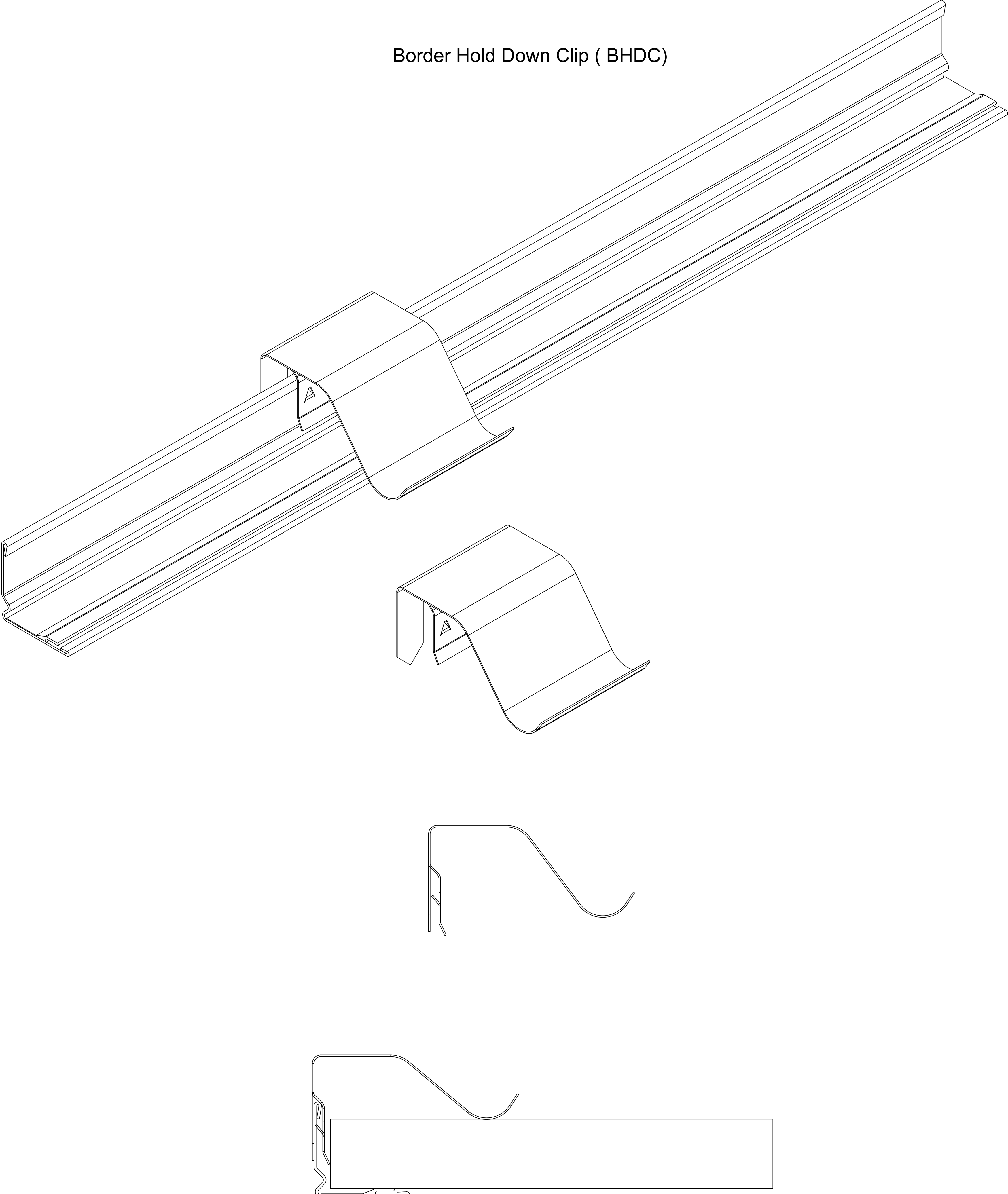


EA 7801 - Clean Room Steel Angle Molding
for use with 15/16" Steel Clean Room
Suspension Systems

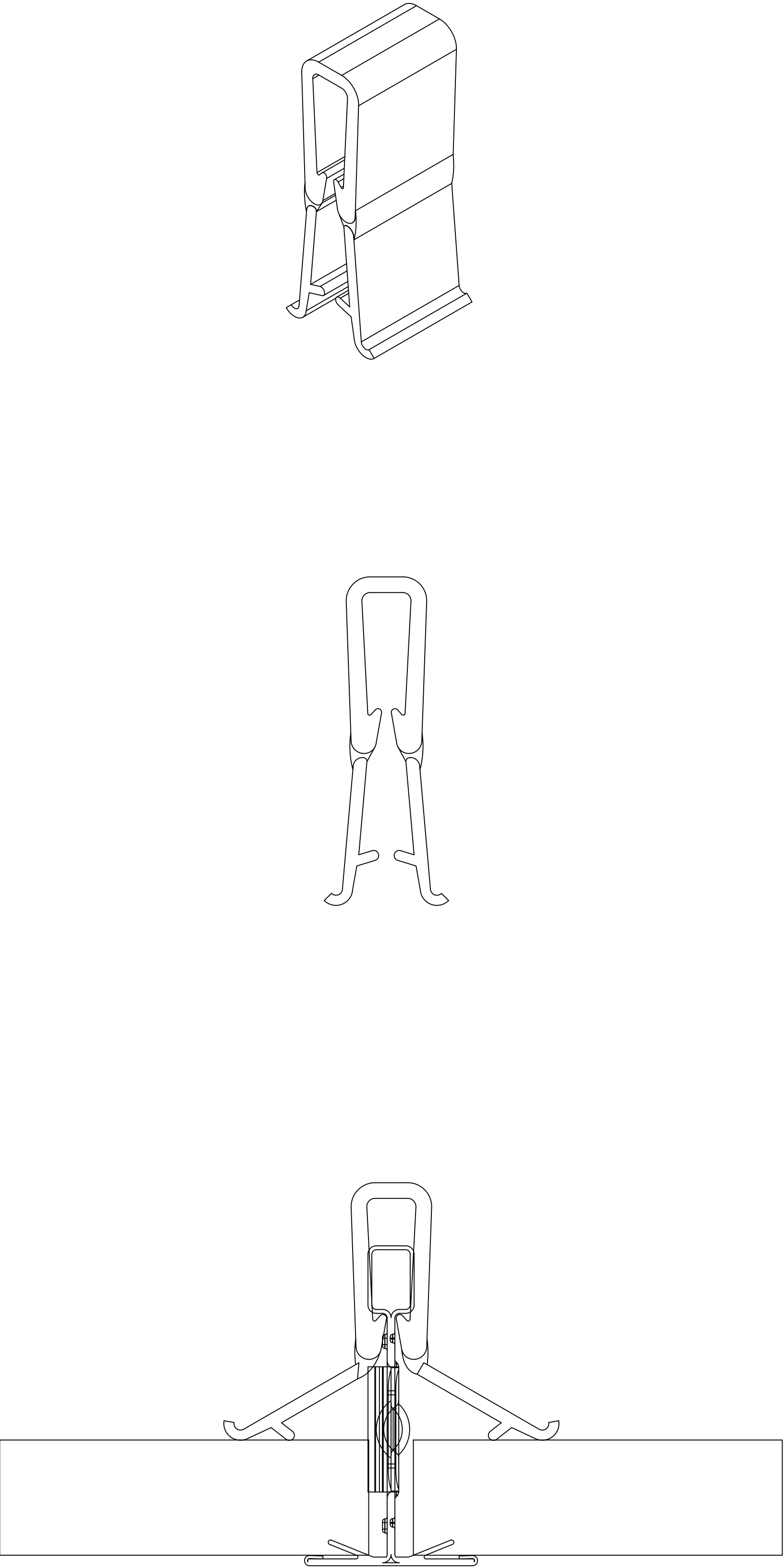


<small>These drawings show typical conditions in which the Armstrong® product depicted is installed. They are not a substitute for an architect's or engineer's plan and do not reflect the unique requirements of local building codes, laws, statutes, ordinances, rules and regulations (Legal Requirements) that may be applicable for a particular installation.</small> <small>Armstrong Ceiling Solutions does not warrant, and assumes no liability for the accuracy or completeness of the drawings for a particular installation or their fitness for a particular purpose.</small> <small>The user is advised to consult with a duly licensed architect or engineer in the particular locale of the installation to assure compliance with all Legal Requirements.</small> <small>Armstrong is not licensed to provide professional architecture or engineering design services.</small>		PROJECT NAME: ARMSTRONG CLEAN ROOM PRODUCTS	
		DWG. NO. DETAILS	REV: .
DATE: 1/22/24	SCALE: .	DESC: .	
DRAWN BY: MAP	CHK BY: .		

Border Hold Down Clip (BHDC)



CHDC



<small>These drawings show typical conditions in which the Armstrong® product depicted is installed. They are not a substitute for an architect's or engineer's plan and do not reflect the unique requirements of local building codes, laws, statutes, ordinances, rules and regulations (Legal Requirements) that may be applicable for a particular installation.</small>		PROJECT NAME: ARMSTRONG CLEAN ROOM PRODUCTS	
<small>Armstrong Ceiling Solutions does not warrant, and assumes no liability for the accuracy or completeness of the drawings for a particular installation or their fitness for a particular purpose.</small>	DWG. NO. DETAILS	REV: .	DATE: .
<small>The user is advised to consult with a duly licensed architect or engineer in the particular locale of the installation to assure compliance with all legal requirements.</small>	DATE: 1/22/24	SCALE: .	DESC: .
<small>Armstrong is not licensed to provide professional architecture or engineering design services.</small>	DRAWN BY: MAP	CHK BY: .	.