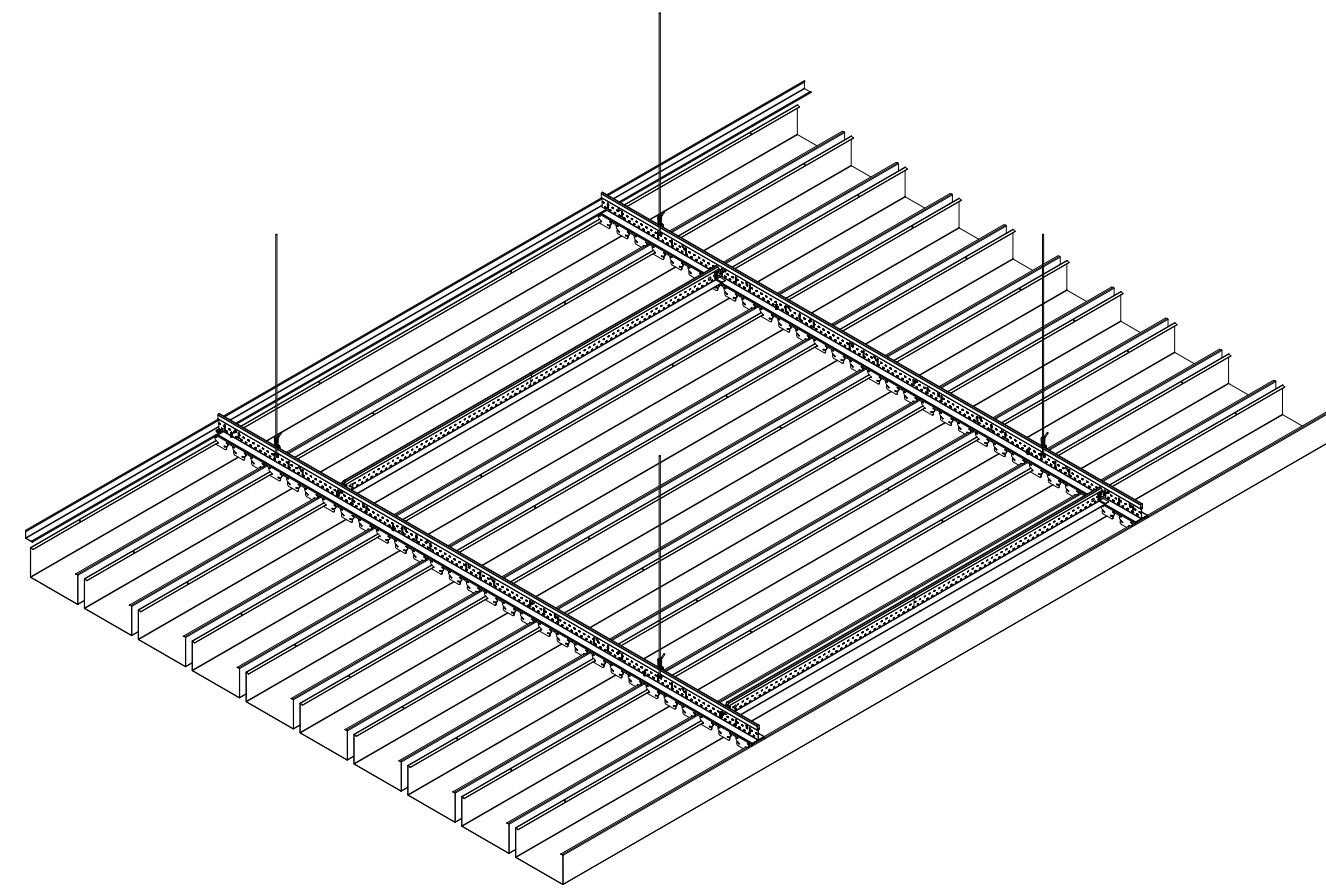
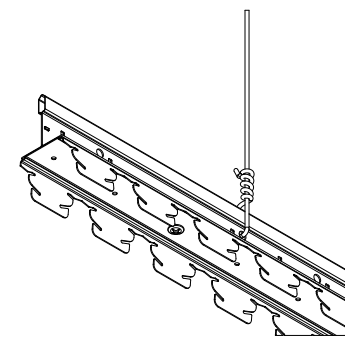


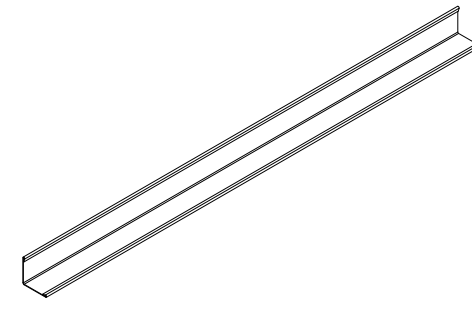
NOTES:
1. THESE VIEWS ARE ONLY REPRESENTATIONAL AND TO BE USED AS REFERENCE.
REFER TO INSTALLATION INSTRUCTIONS FOR DETAILED INFORMATION



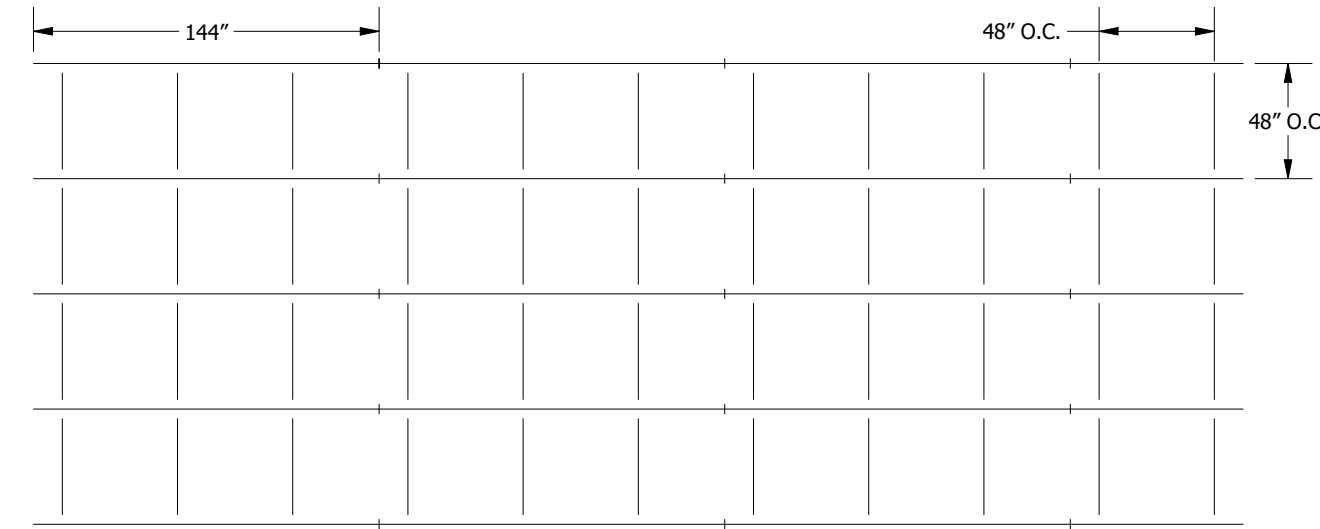
REPRESENTATION OF DIVERGE CEILING ASSEMBLY
SCALE 1 / 17



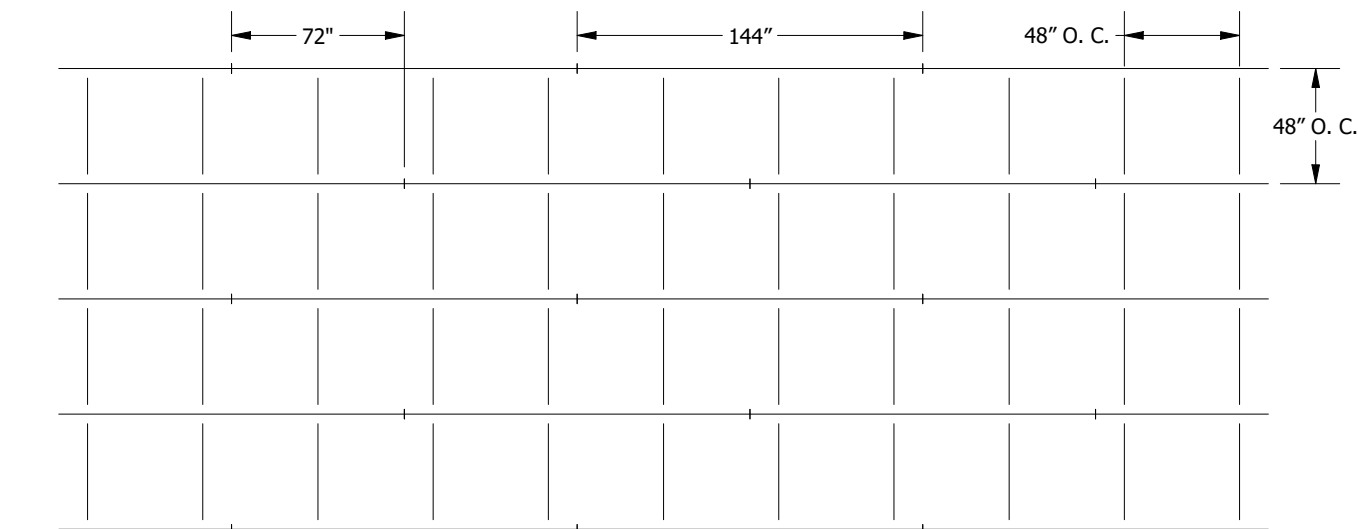
7277BL MBC2
SCALE 1 / 5



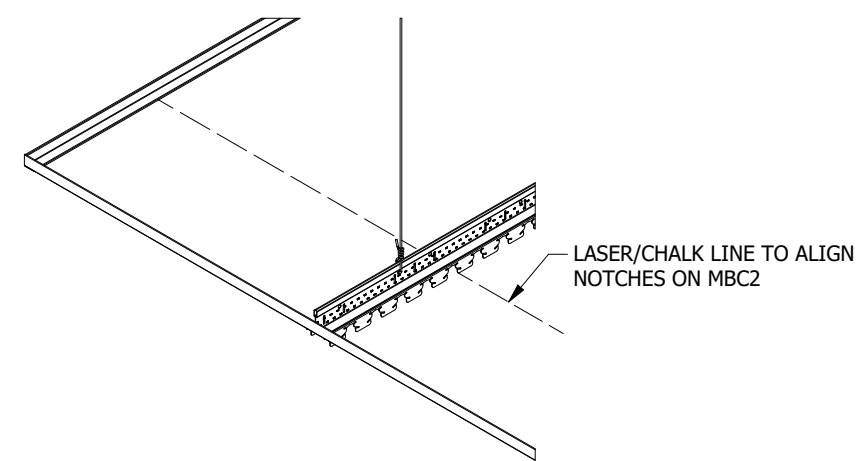
7800 ANGLE MOLDING
SCALE 1 / 5



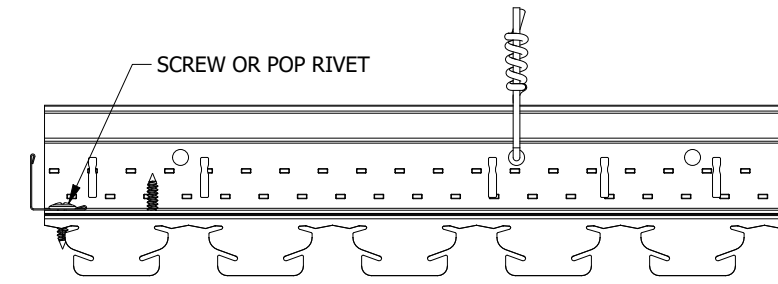
ALIGNED MBC2 SPLICE LOCATIONS
SCALE 1 / 80



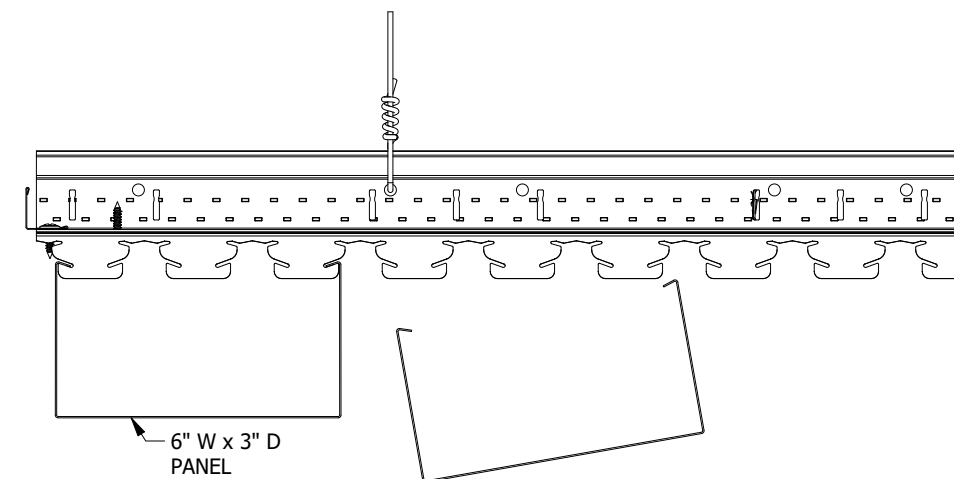
STAGGERED MBC2 SPLICE LOCATIONS
SCALE 1 / 80



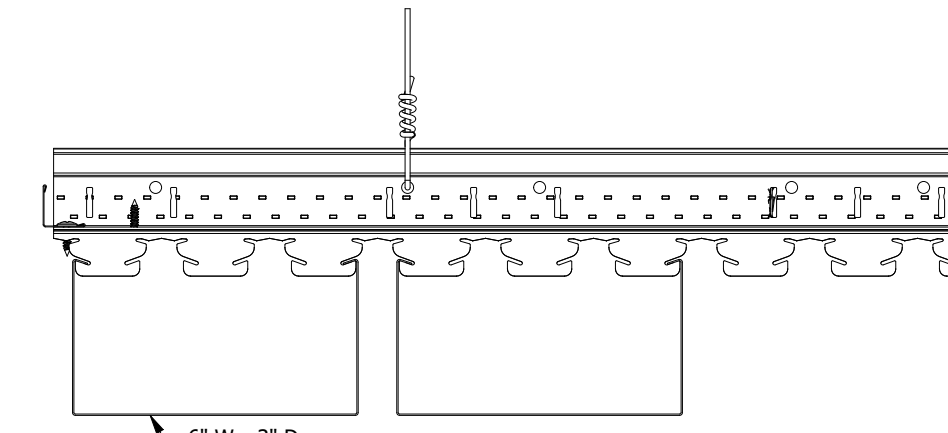
ALIGNING MBC2
SCALE 1 / 12



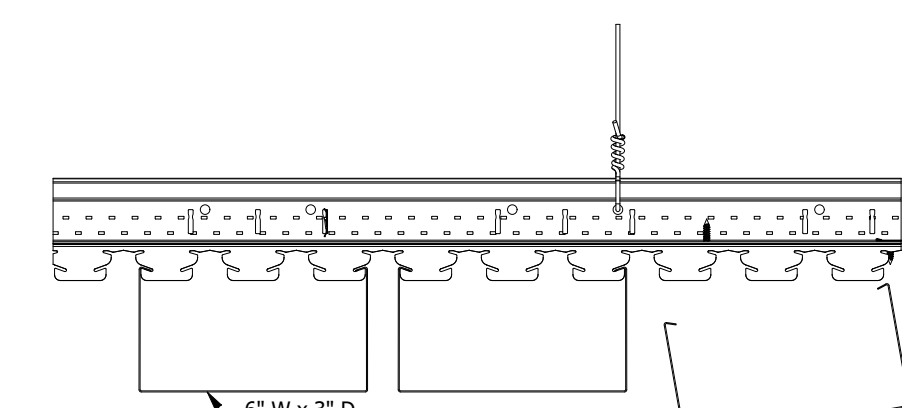
SECURING MBC2 TO ANGLE MOLDING
SCALE 1 / 3



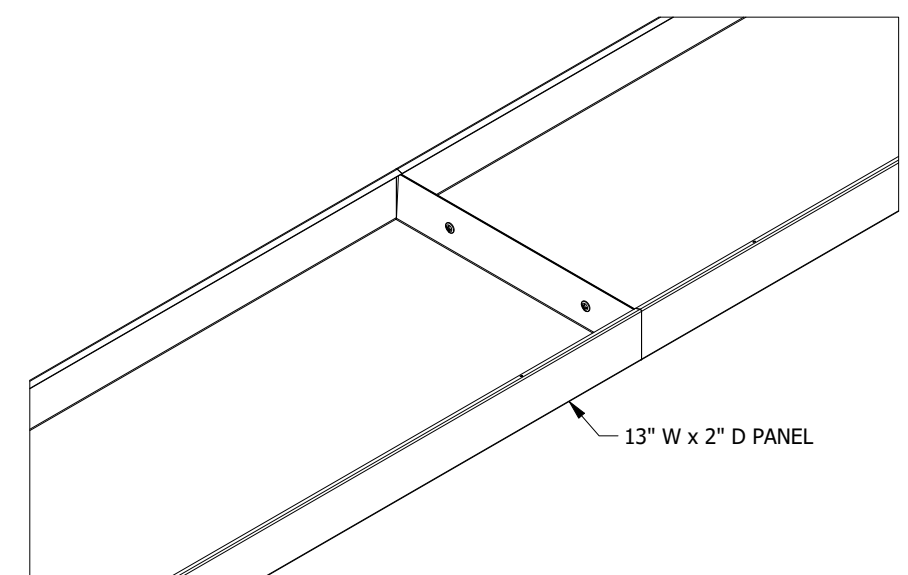
INSTALLING DIVERGE PANELS - 1
SCALE 1 / 4



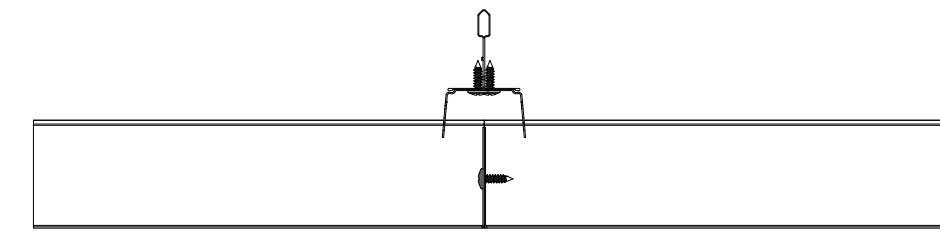
INSTALLING DIVERGE PANELS - 2
SCALE 1 / 4



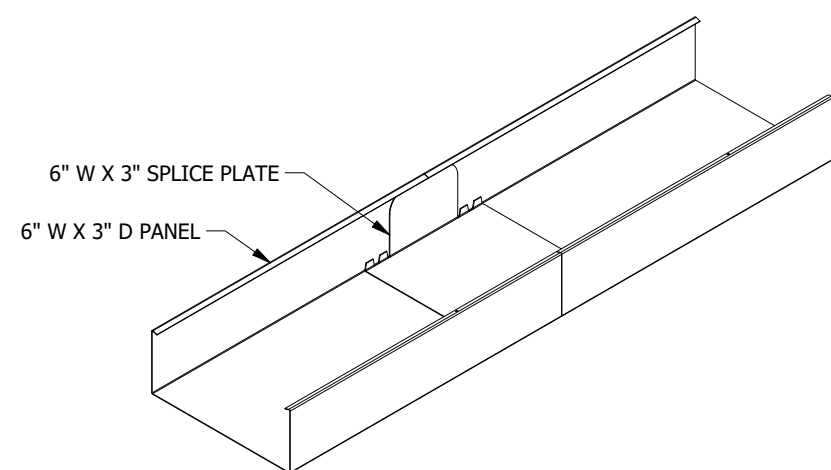
INSTALLING LAST DIVERGE PANEL AT PERIMETER
SCALE 1 / 5



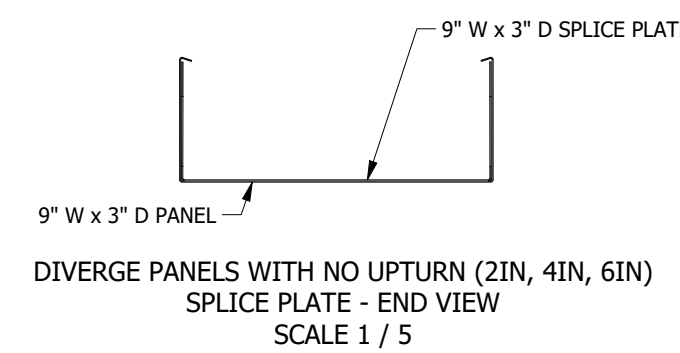
DIVERGE PANELS WITH UPTURNS (9IN, 11IN, 13IN) - SPLICED WITH SCREWS - ISO VIEW
SCALE 1 / 7



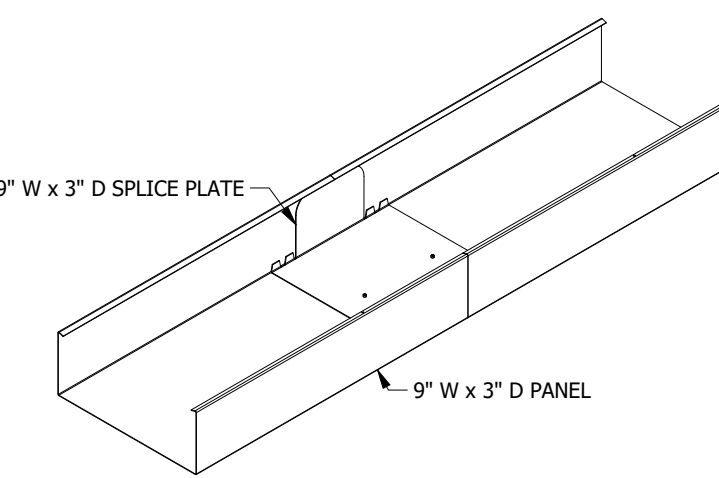
DIVERGE PANELS WITH UPTURNS (9IN, 11IN, 13IN) - SPLICED WITH SCREWS - SIDE VIEW
SCALE 1 / 4



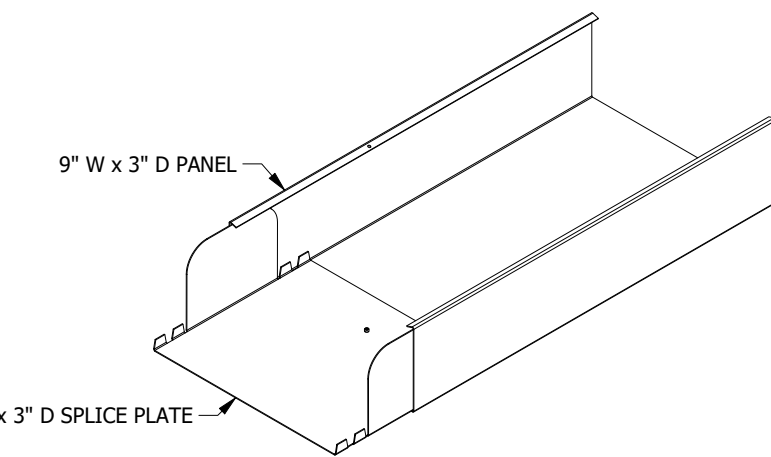
DIVERGE PANELS WITH NO UPTURN (2IN, 4IN, 6IN) - SPLICE PLATE - ISO VIEW
SCALE 1 / 8



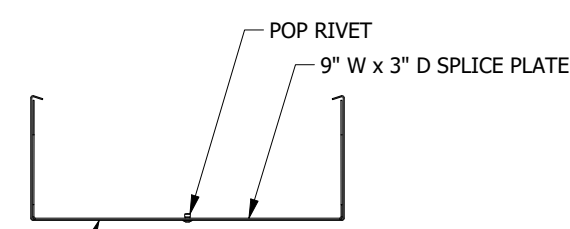
DIVERGE PANELS WITH NO UPTURN (2IN, 4IN, 6IN) - SPLICE PLATE - END VIEW
SCALE 1 / 5



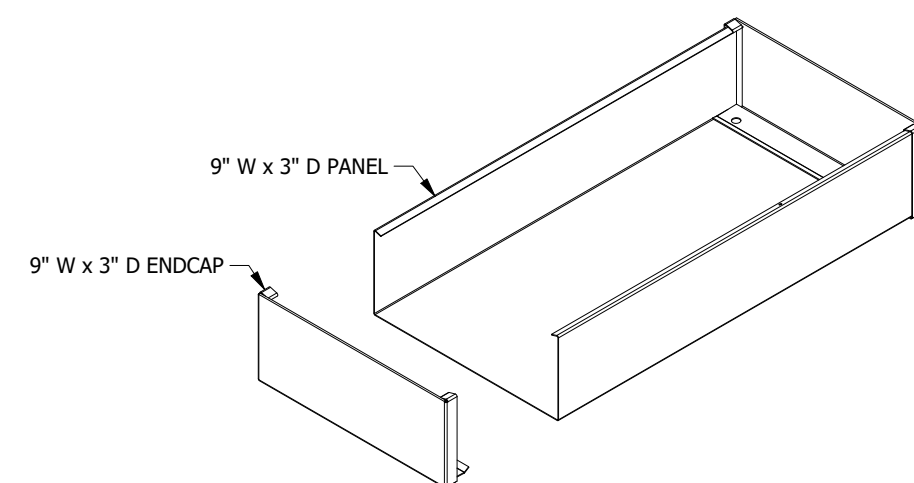
DIVERGE PANELS WITH NO UPTURN (2IN, 4IN, 6IN) - SPLICED WITH SPLICE PLATE AND POP RIVETS
SCALE 1 / 8



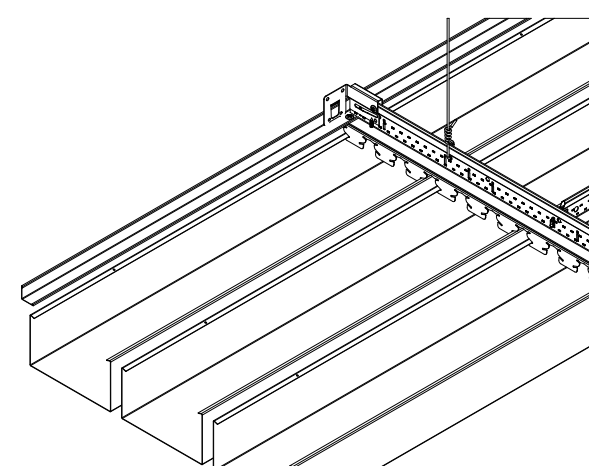
DIVERGE PANEL WITH NO UPTURN (2IN, 4IN, 6IN) - SPLICED WITH SPLICE PLATE AND POP RIVET BEFORE POP RIVETED TO OTHER PANEL
SCALE 1 / 6



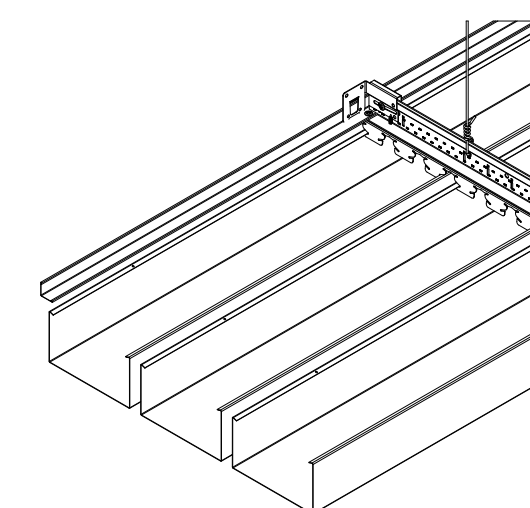
DIVERGE PANELS WITH NO UPTURN (2IN, 4IN, 6IN) - SPLICE PLATE AND POP RIVETS - END VIEW
SCALE 1 / 5



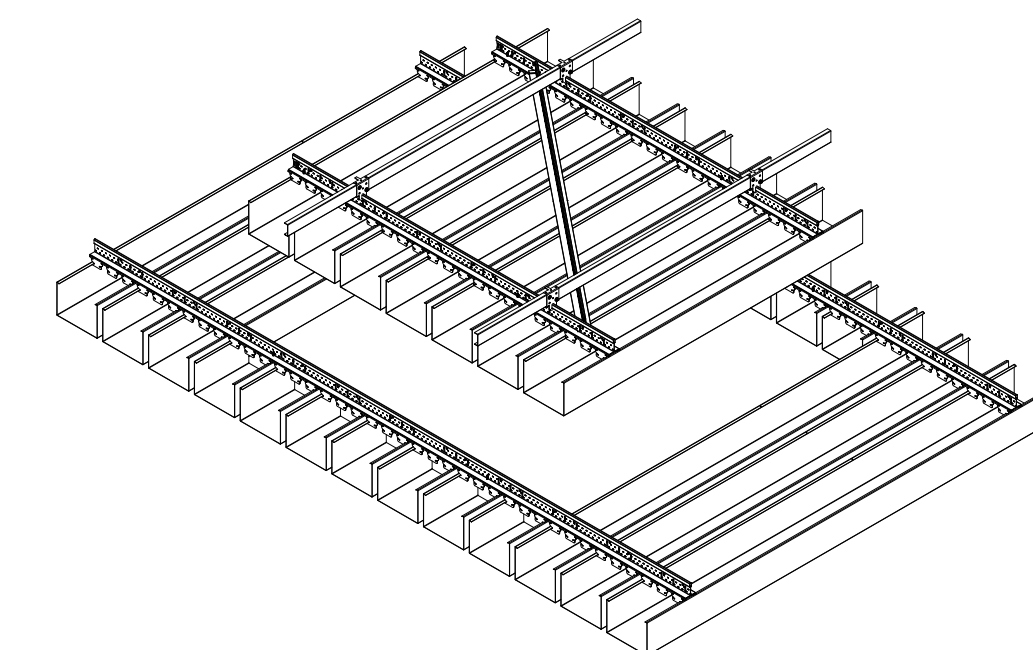
INSTALLING DIVERGE ENDCAP
SCALE 1 / 6



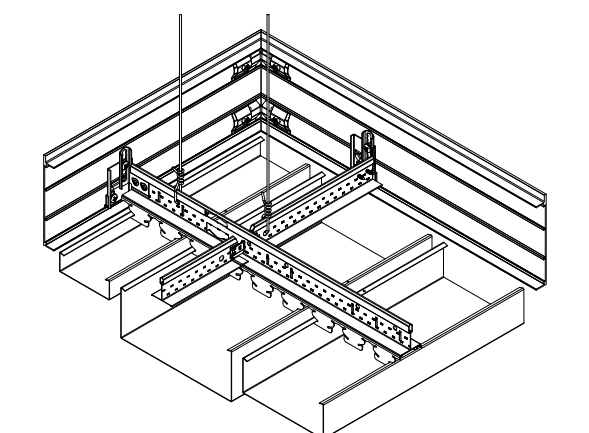
PERIMETER IN SEISMIC INSTALLATION - BER2 WITH MBC2 SCREW ATTACHED
SCALE 1 / 10



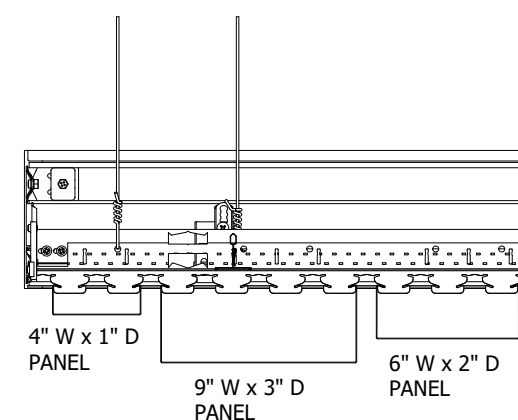
PERIMETER IN SEISMIC INSTALLATION - BER2 WITH MBC2 UNATTACHED
SCALE 1 / 10



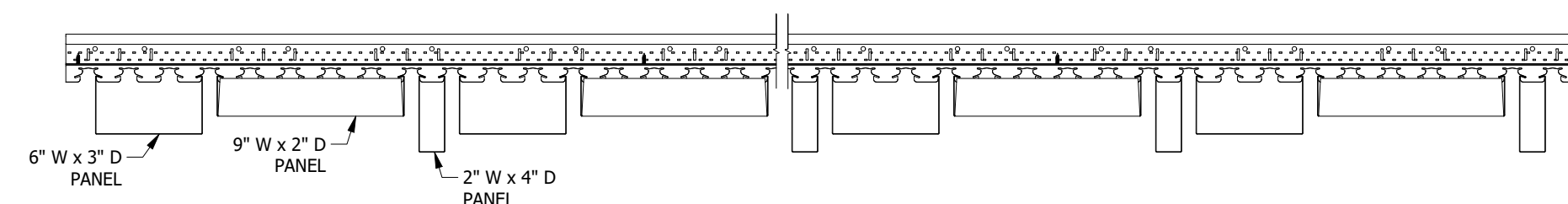
DIVERGE ACCESS PANEL
SCALE 1 / 20



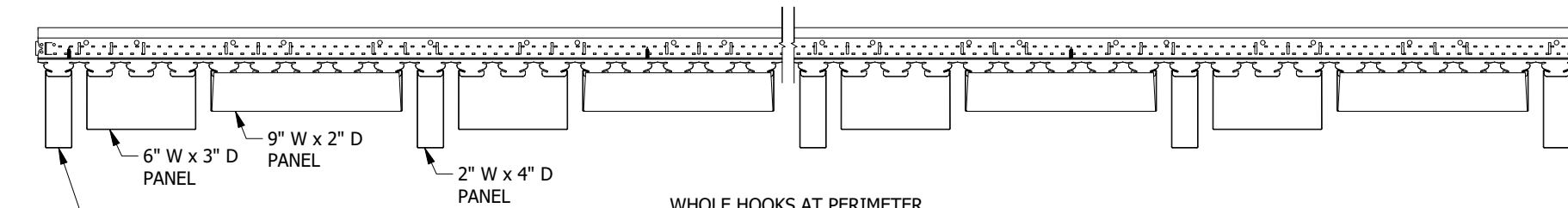
DIVERGE WITH AXIOM - ISO VIEW
SCALE 1 / 10



DIVERGE WITH AXIOM - SIDE VIEW
SCALE 1 / 8



DIVIDED HOOKS AT PERIMETER
SCALE 1 / 9



WHOLE HOOKS AT PERIMETER
SCALE 1 / 9

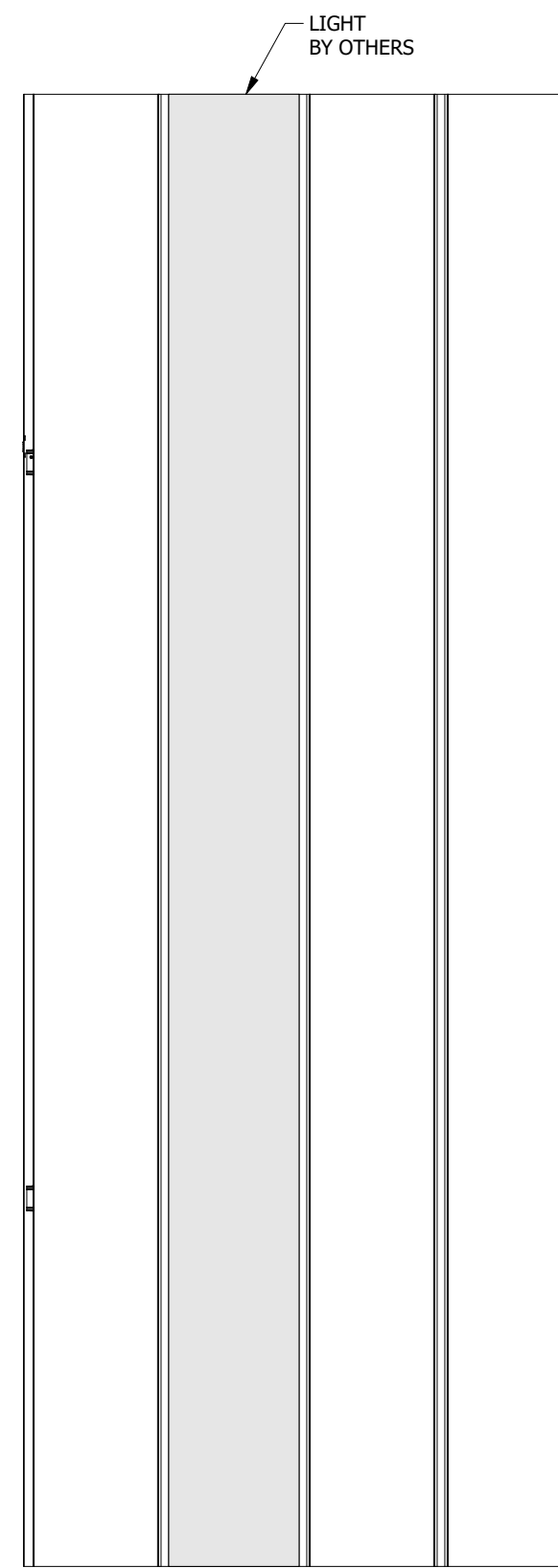
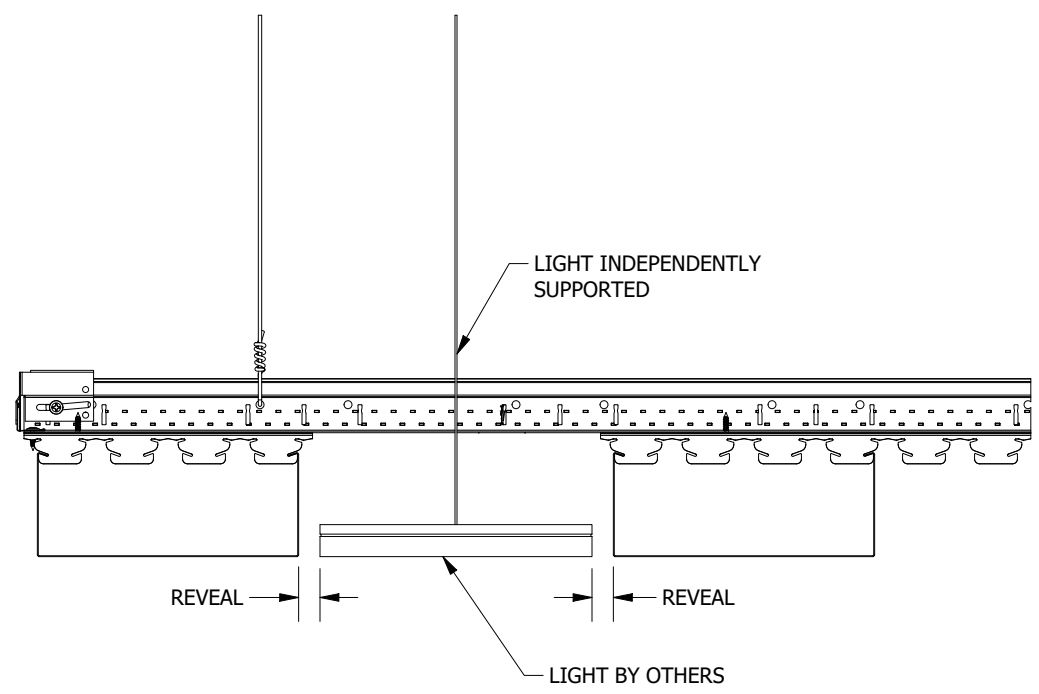
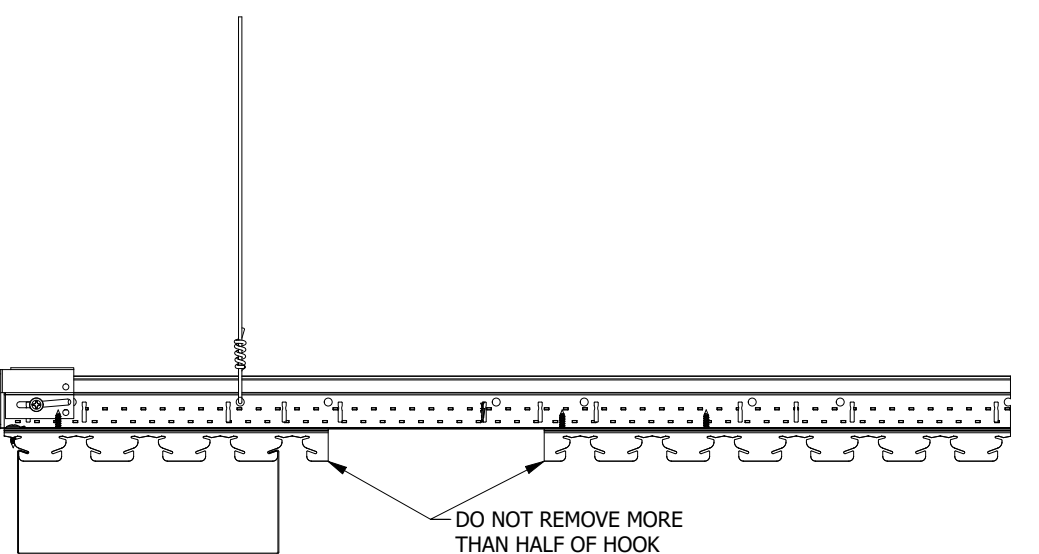
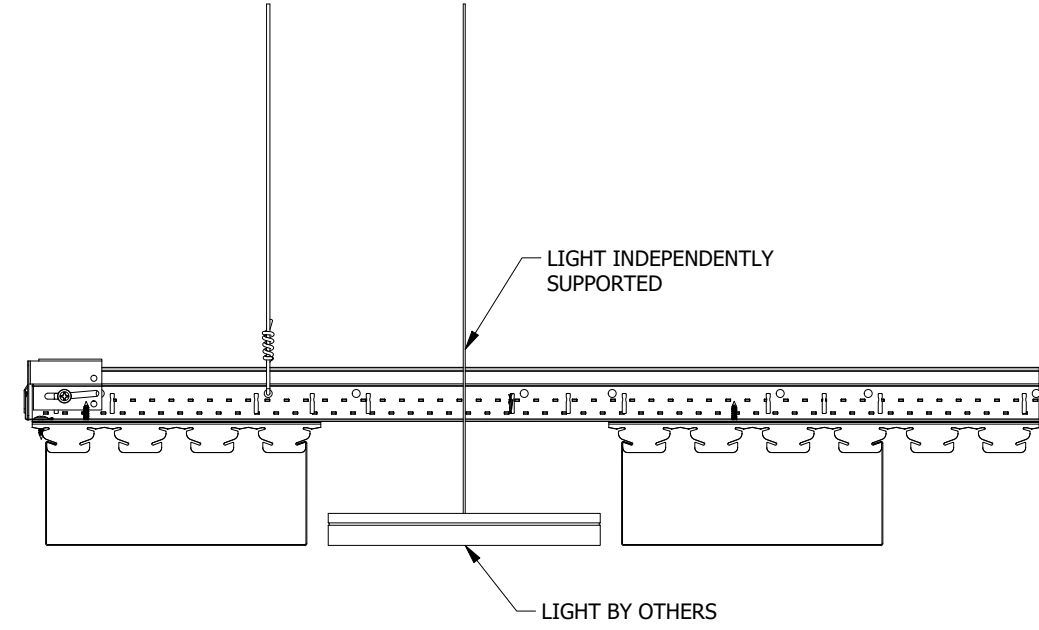
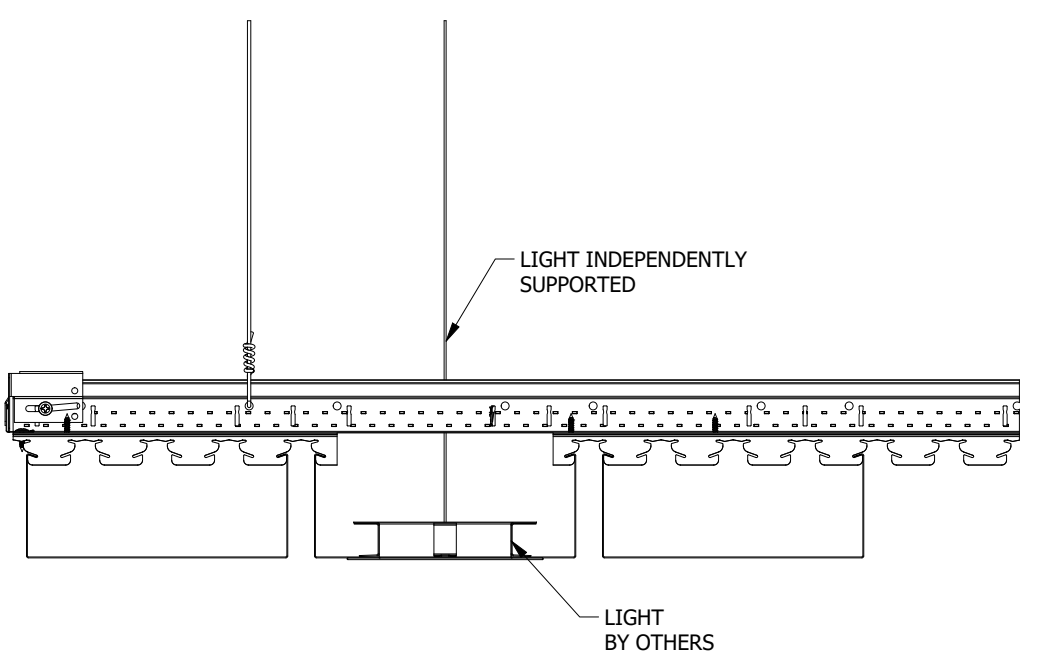
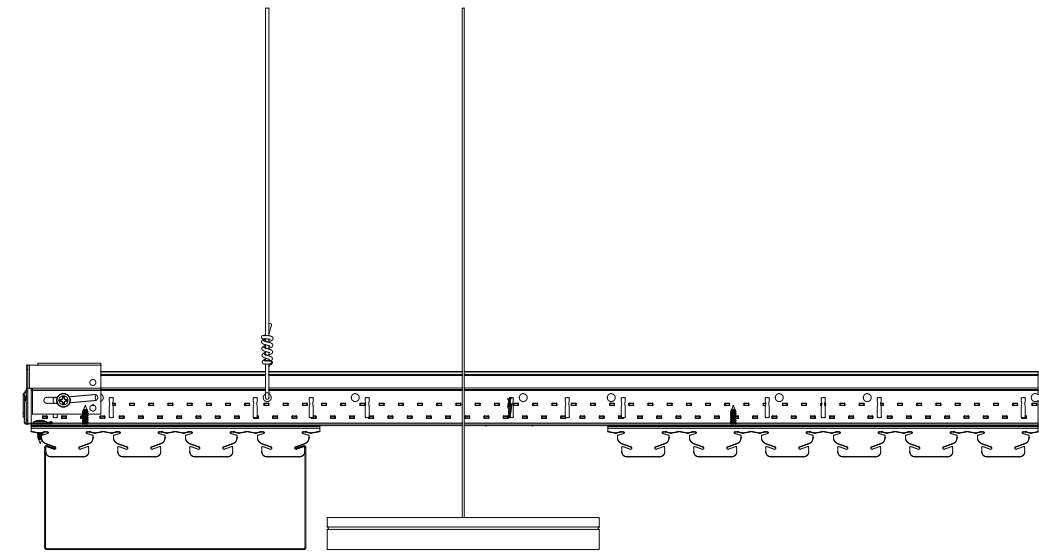
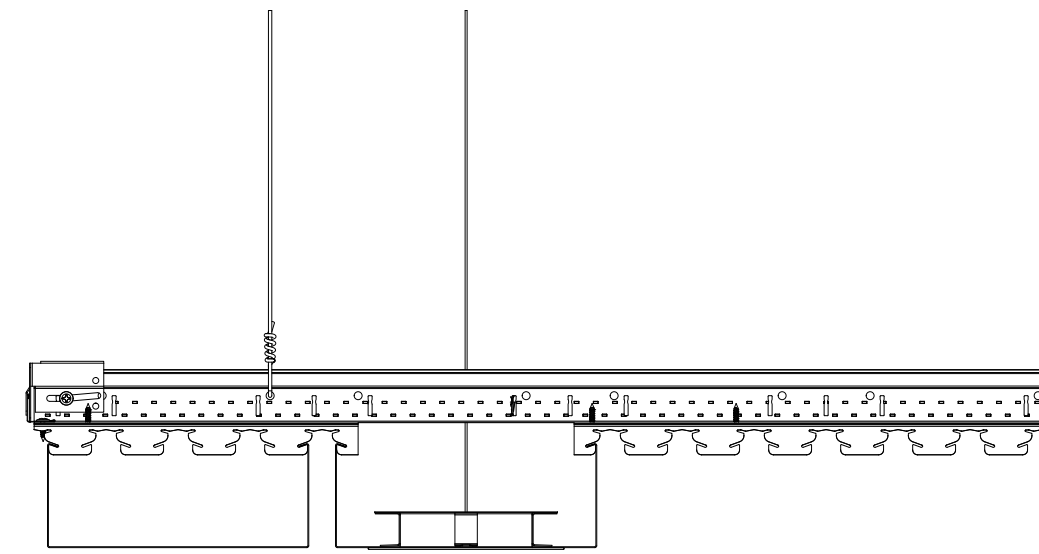
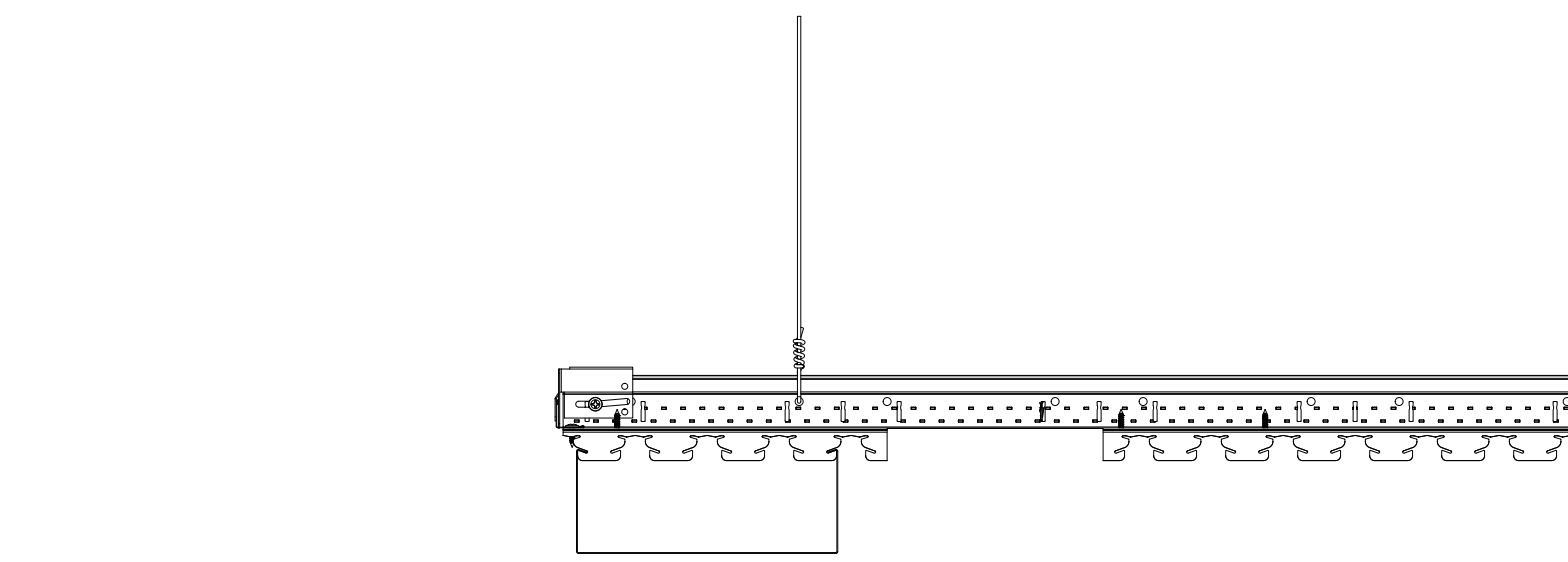
ADDITIONAL WHOLE HOOK ON MBC2 ALLOWED FOR EXTRA ROW OF 2" PANELS TO BE INSTALLED



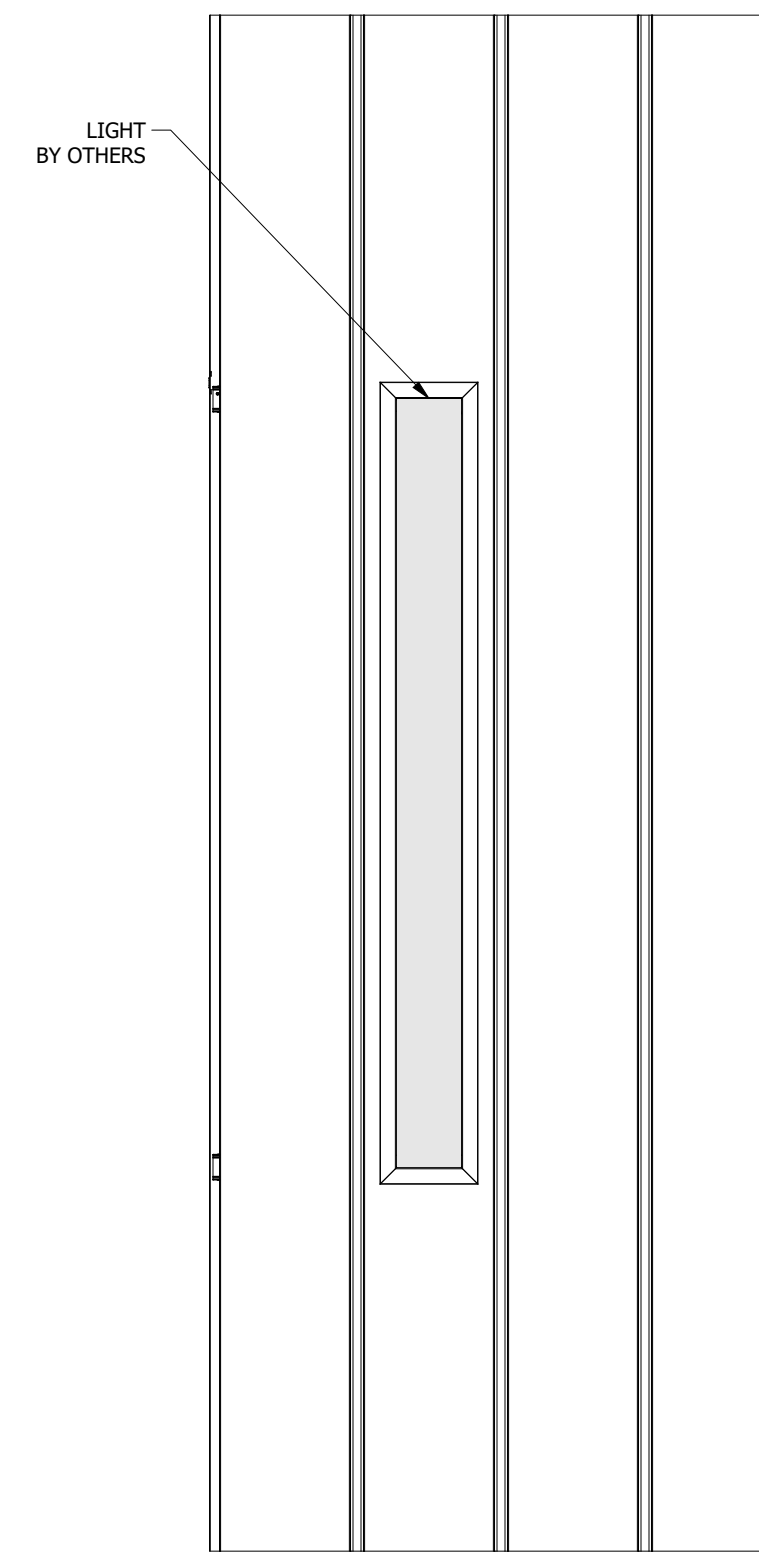
DIVERGE MASTER SHEET - 1

DRAWN BY: SJW DATE: 1/29/2021 PD

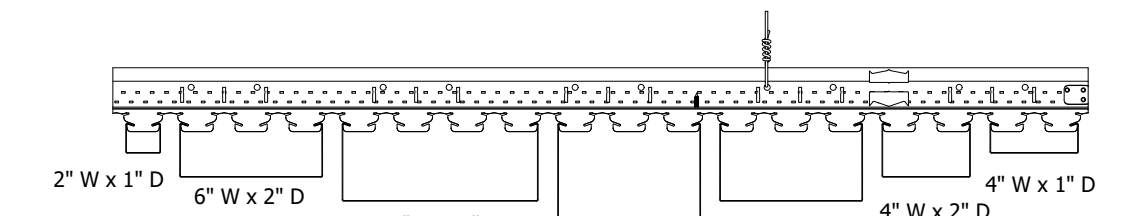
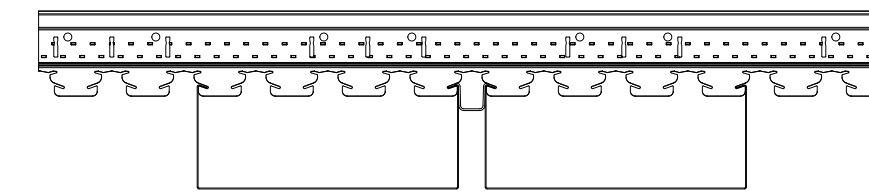
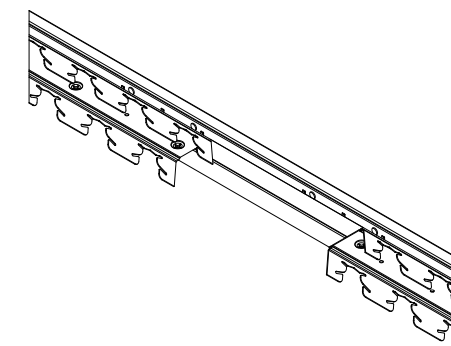
These drawings show typical conditions which the Armstrong products depicted are installed. They are not a substitute for an architect's or engineer's plan and do not reflect the unique requirements of local building codes, laws, statutes, ordinances, rules and regulations (Legal Requirements) that may be applicable for a particular installation. Armstrong does not warrant, and assumes no liability for the accuracy or completeness of the drawings for a particular installation or their fitness for a particular purpose. The user is advised to consult with a duly licensed architect or engineer in the particular locale of the installation to assure compliance with all legal requirements. Armstrong is not licensed to provide professional architecture or engineering design services.



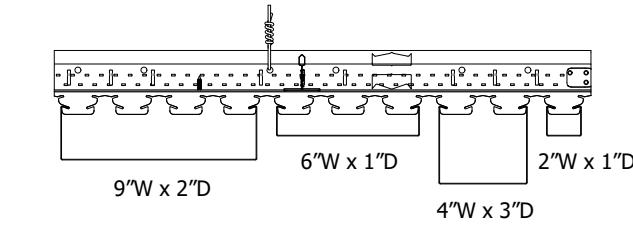
FACE VIEW - OPTION 1
SCALE 1 / 12



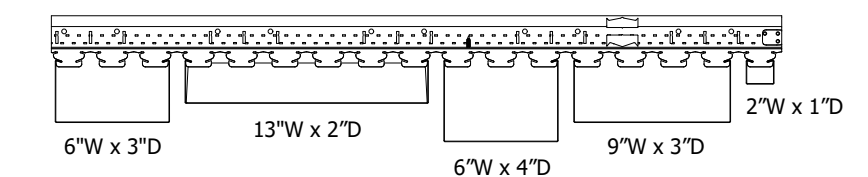
FACE VIEW - OPTION 2
SCALE 1 / 12



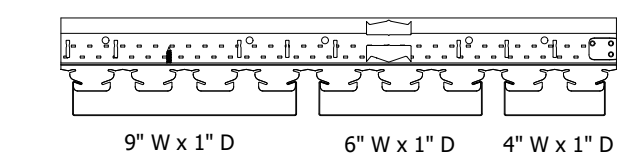
PATTERN GALLERY - MWLD-01
SCALE 1 / 8



PATTERN GALLERY - MWLD-02
SCALE 1 / 8



PATTERN GALLERY - MWLD-03
SCALE 1 / 10



PATTERN GALLERY - MWLD-04
SCALE 1 / 7

