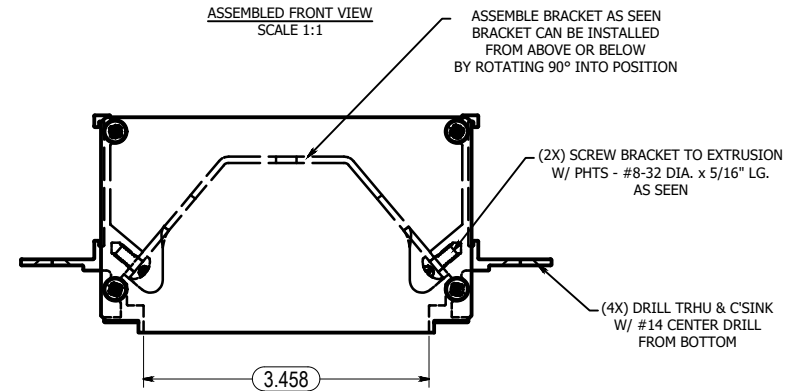
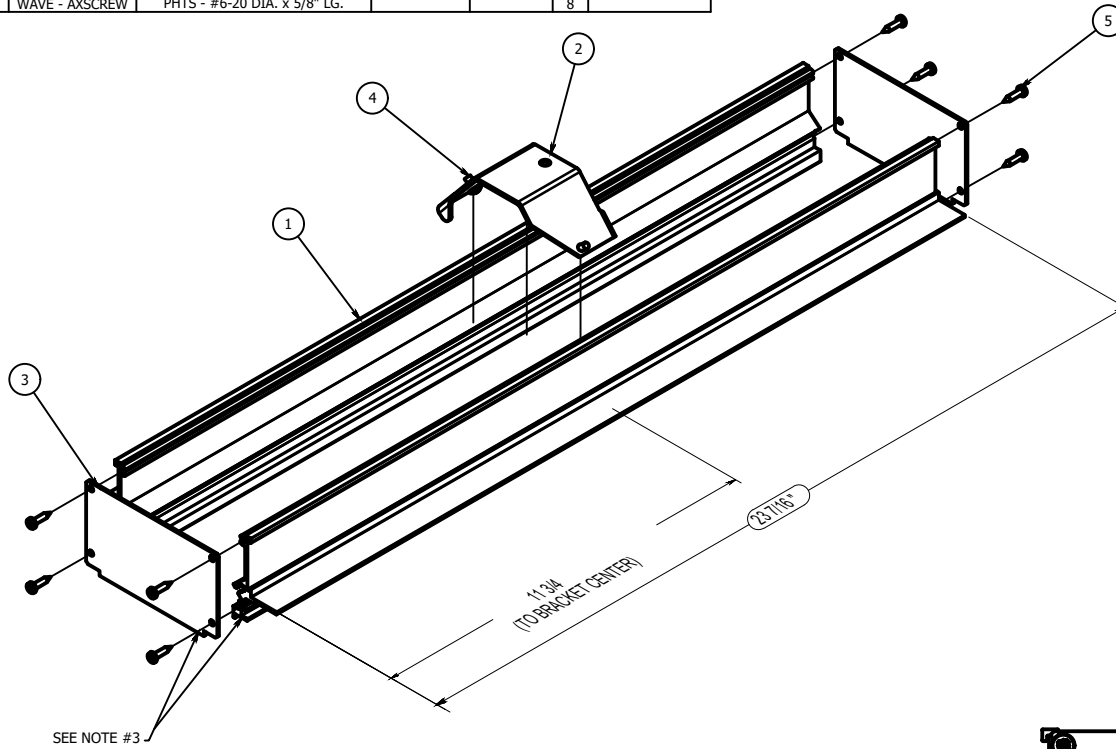


BILL OF MATERIALS						
ITEM	ITEM NUMBER	DESCRIPTION	DWG NUMBER	REV.	QTY.	NOTES
1	DGSLTK24	ALUMINUM EXTRUSION	P34061	D	2	PAINTED WHITE
2	LCBDGS4	CONNECTOR BRACKET	P34139	-	1	NOT PAINTED
3	LLTKEP	END PLATE	P34118	-	2	PAINTED WHITE
4	MSC - 67413849	PHTS - #8-32 DIA. x 5/16" LG.			2	
5	WAVE - AXSCREW	PHTS - #6-20 DIA. x 5/8" LG.			8	



These drawings show typical conditions in which the Armstrong product depicted is installed. They are not a substitute for an architect's or engineer's plan and do not reflect the unique requirements of local building codes, laws, statutes, ordinances, rules and regulations (Legal Requirements) that may be applicable for a particular installation.

Armstrong Ceiling Solutions does not warrant, and assumes no liability for the accuracy or completeness of the drawings for a particular installation or their fitness for a particular purpose.

The user is advised to consult with a duly licensed architect or engineer in the particular locale of the installation to assure compliance with all Legal Requirements.

Armstrong is not licensed to provide professional architecture or engineering design services.

PROJECT NAME:		DRYWALL LINEAR LIGHTING 2' KIT ASSEMBLY	
DWG. NO.	DGSLTK24	REV:	DATE:
DATE:	8/22/16	SCALE:	DESC.:
DRAWN BY:	MSS	CHK BY:	