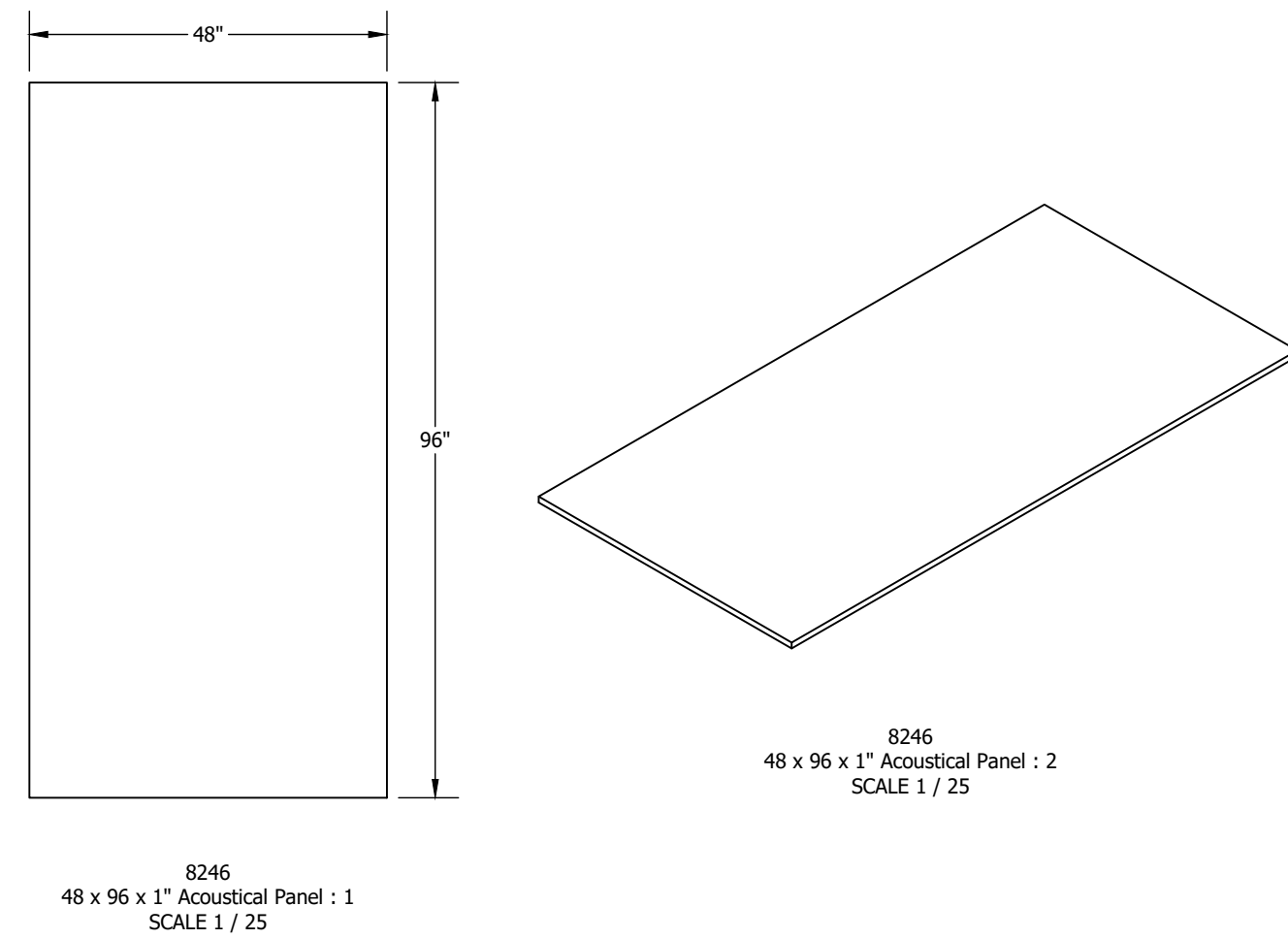
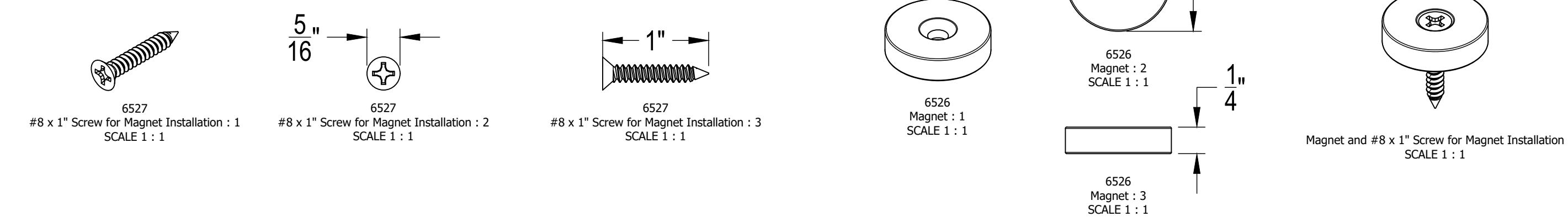


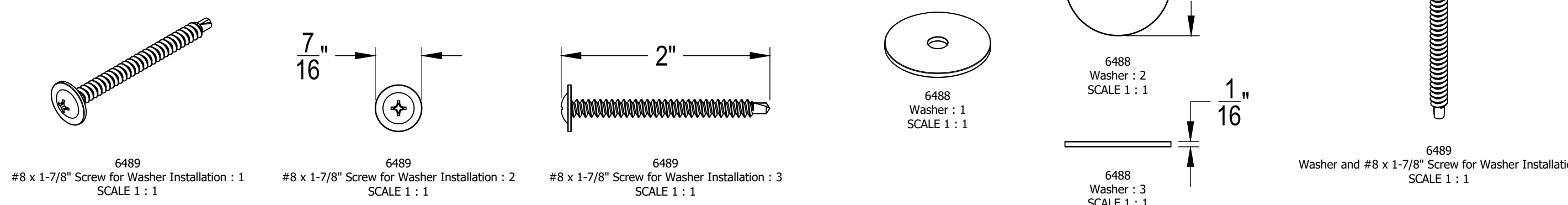
FeltWorks Acoustical Panels



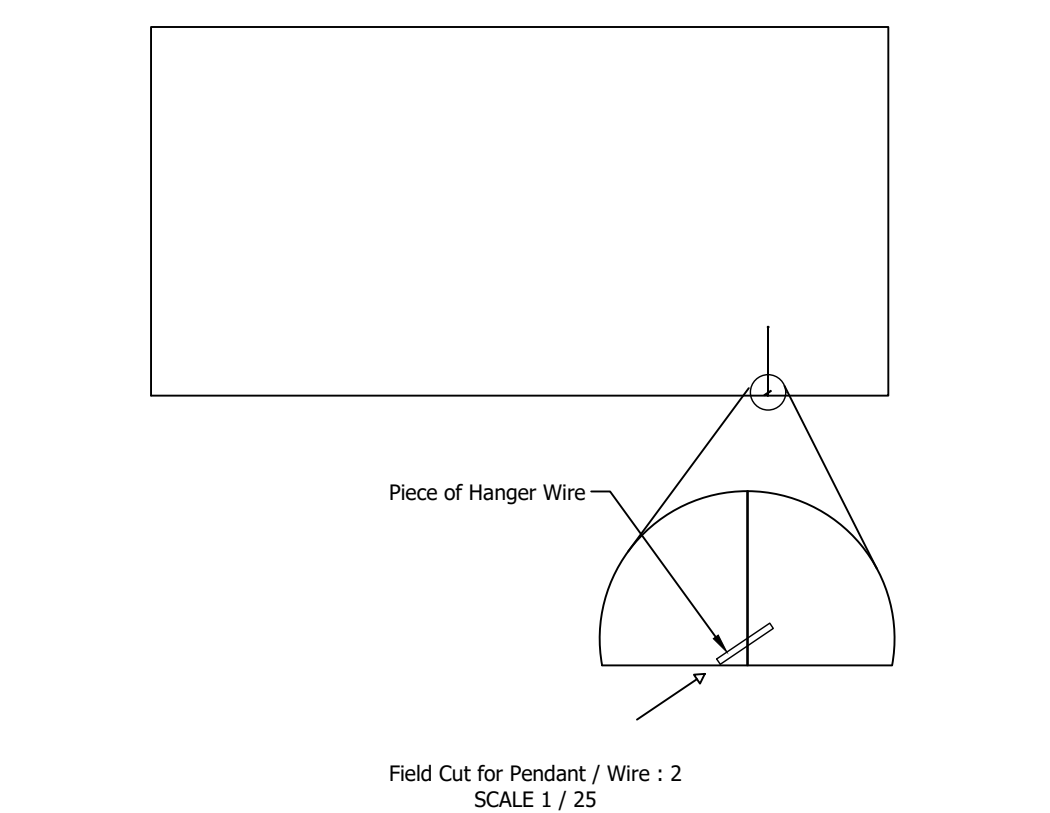
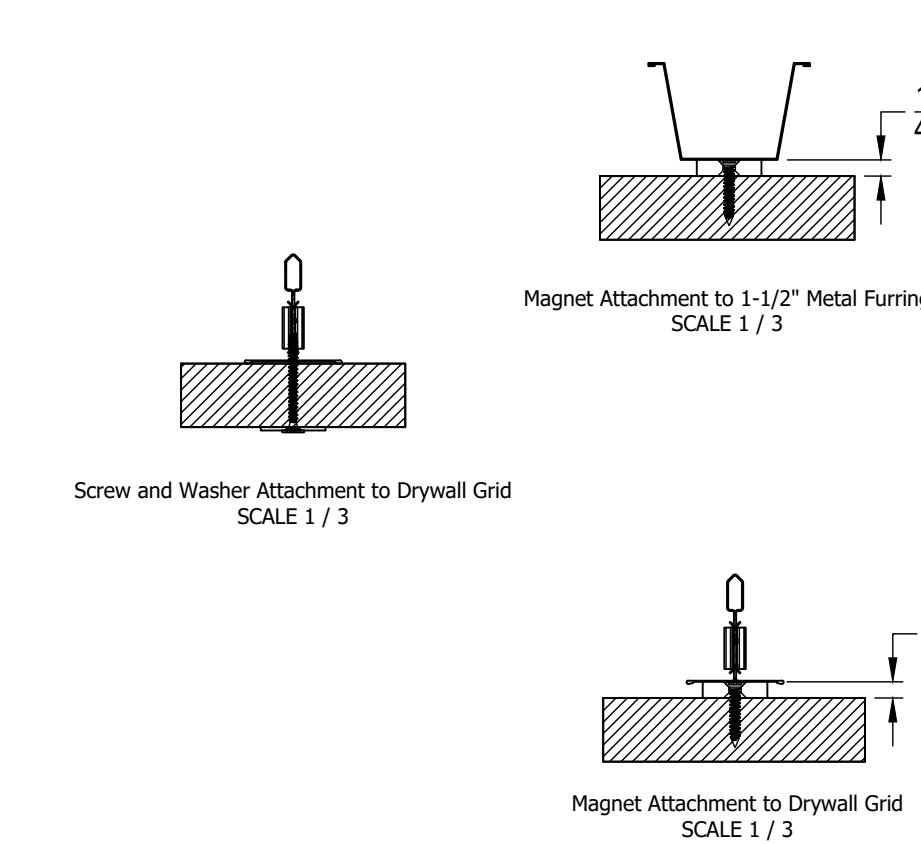
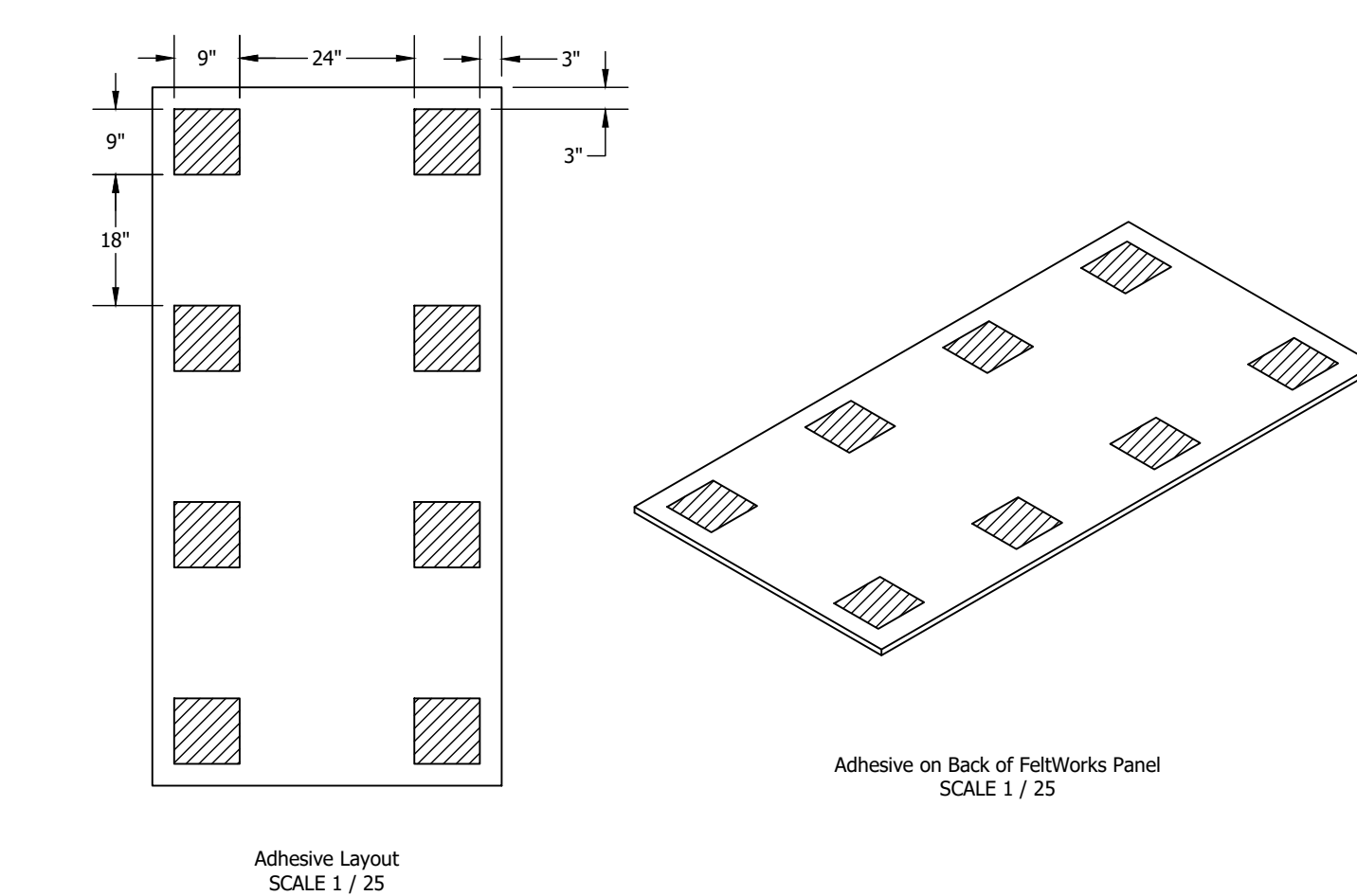
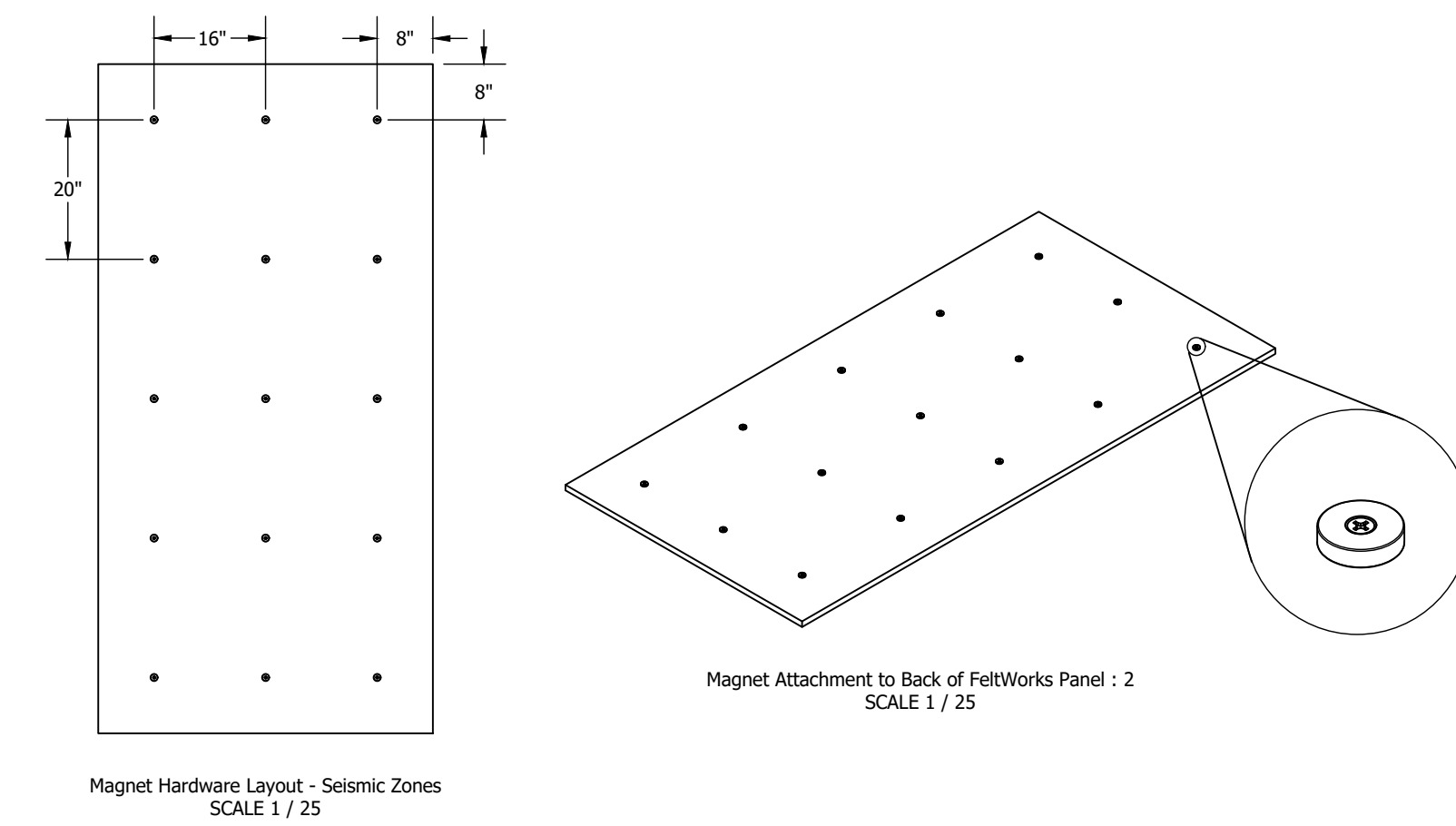
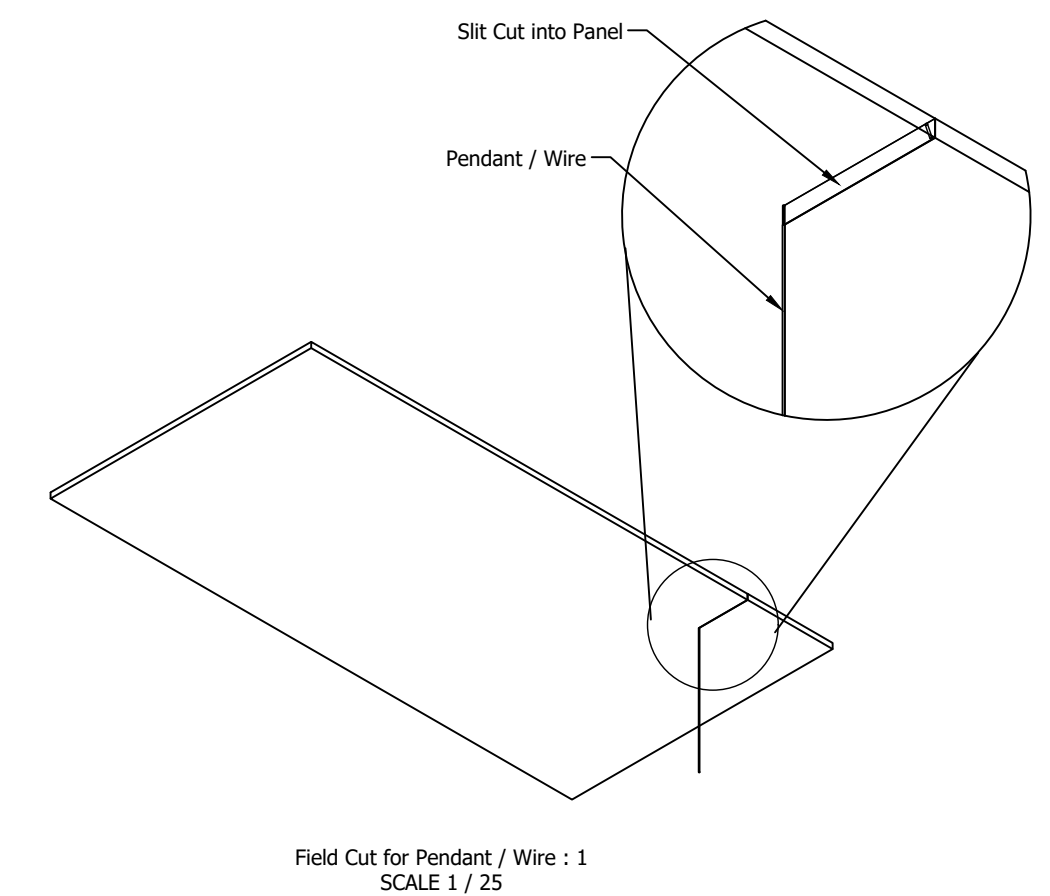
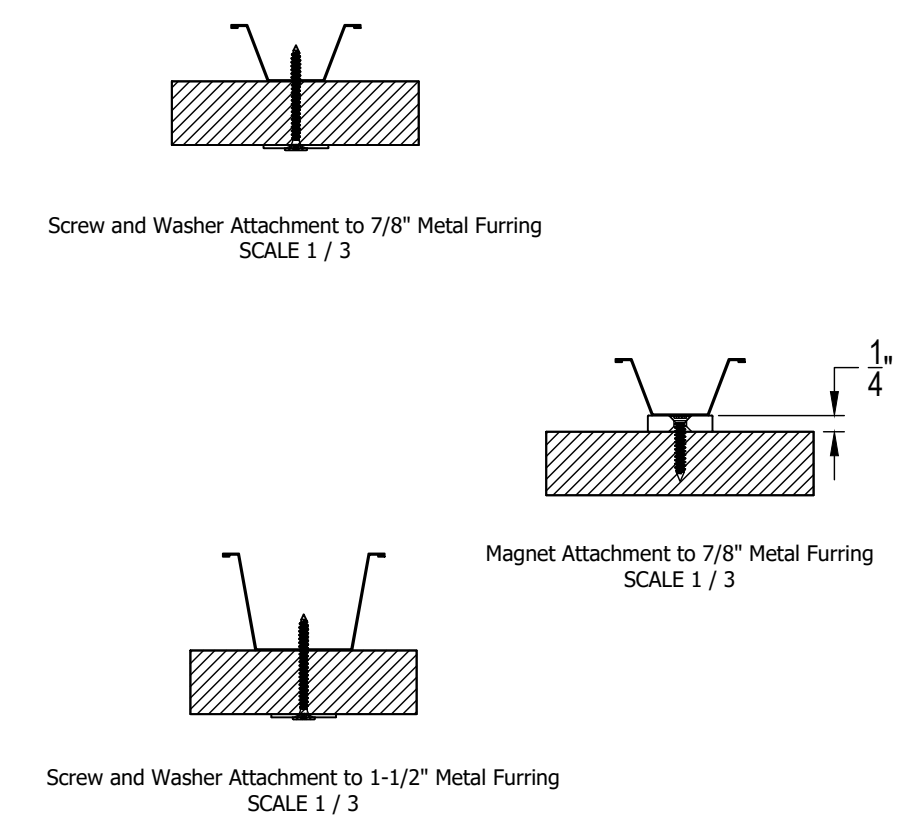
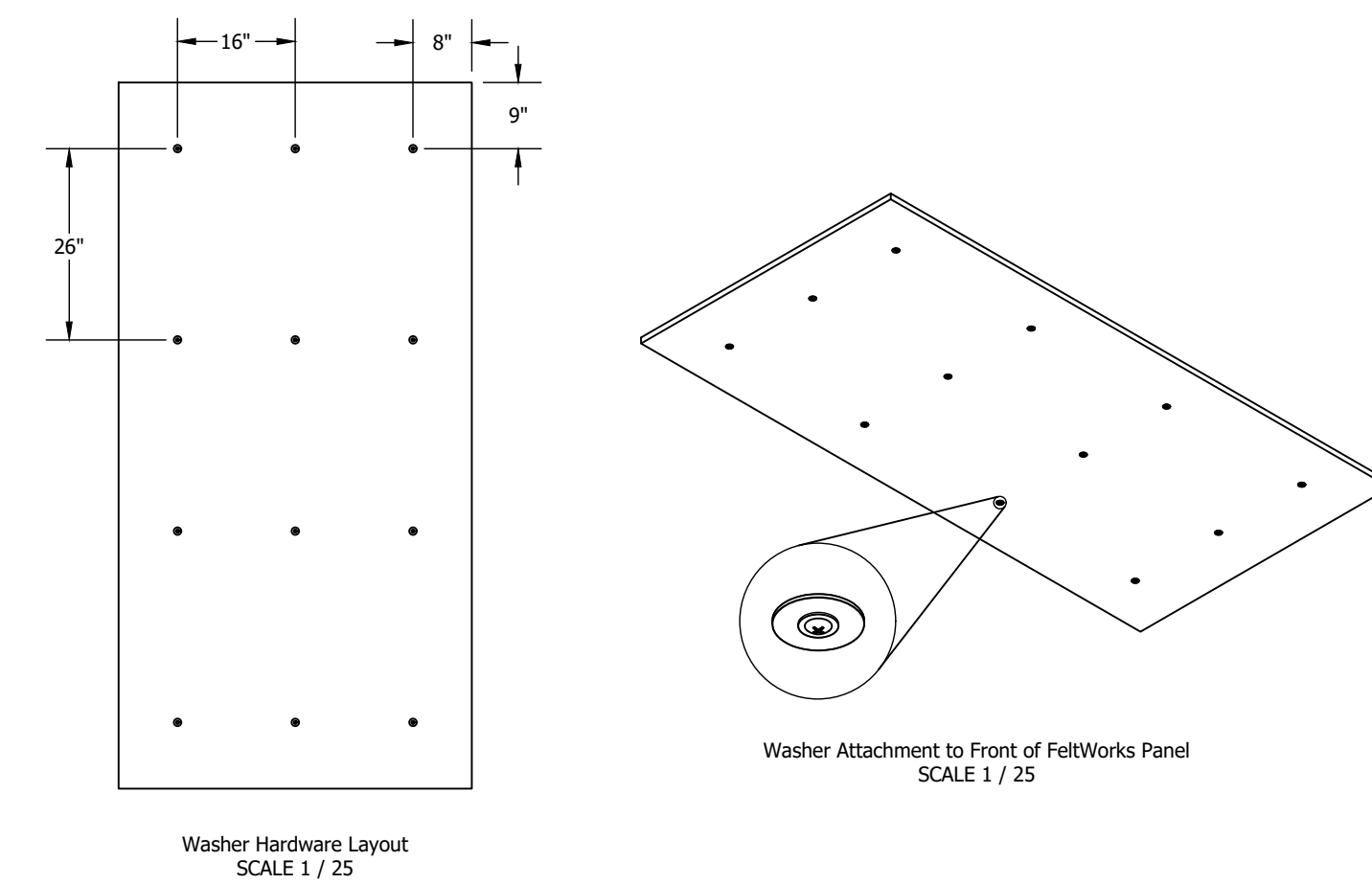
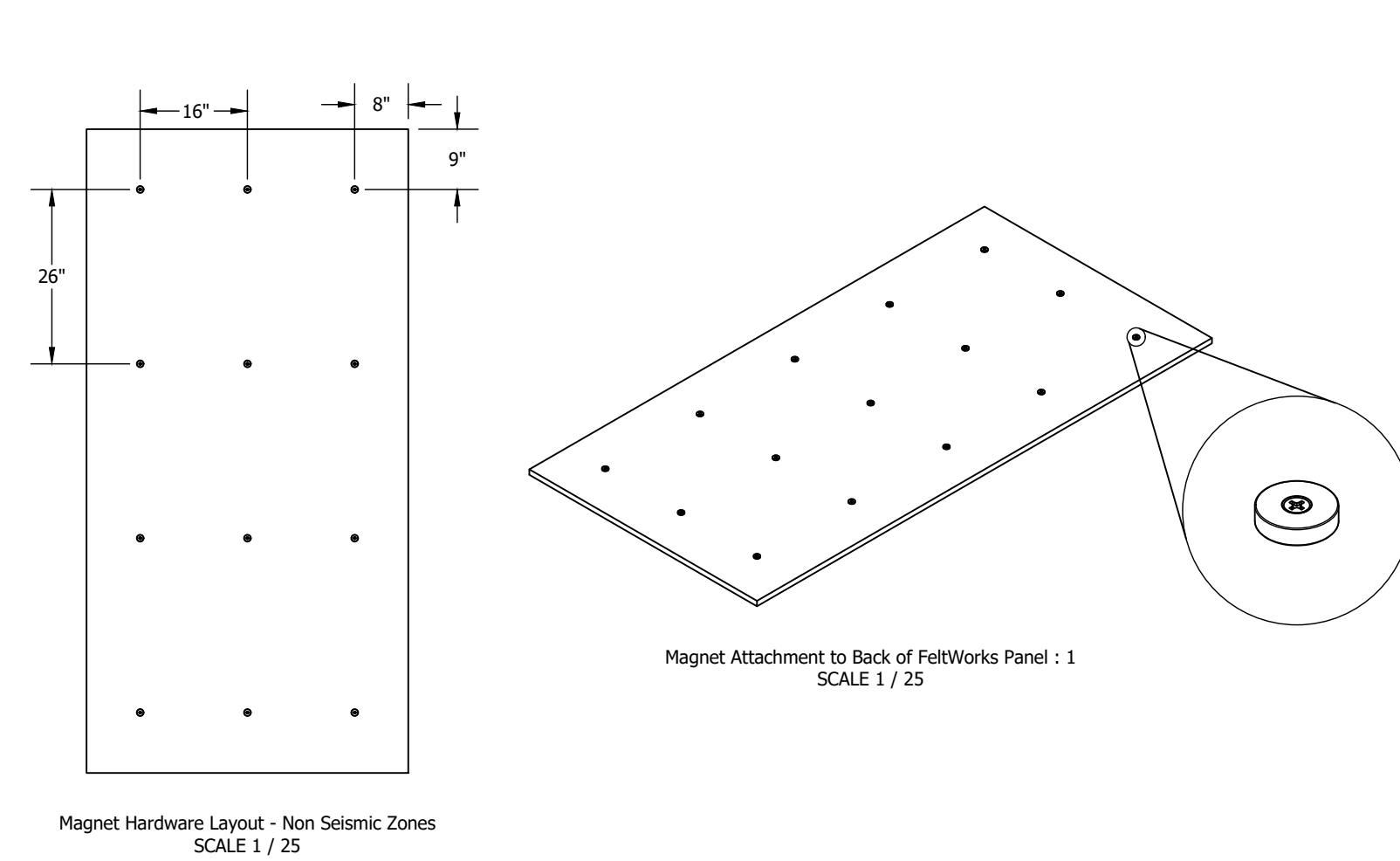
FeltWorks Acoustical Panels - Hardware for Magnet Installation



FeltWorks Acoustical Panels - Hardware for Screw and Washer Installation



FeltWorks Acoustical Panels Installation Details



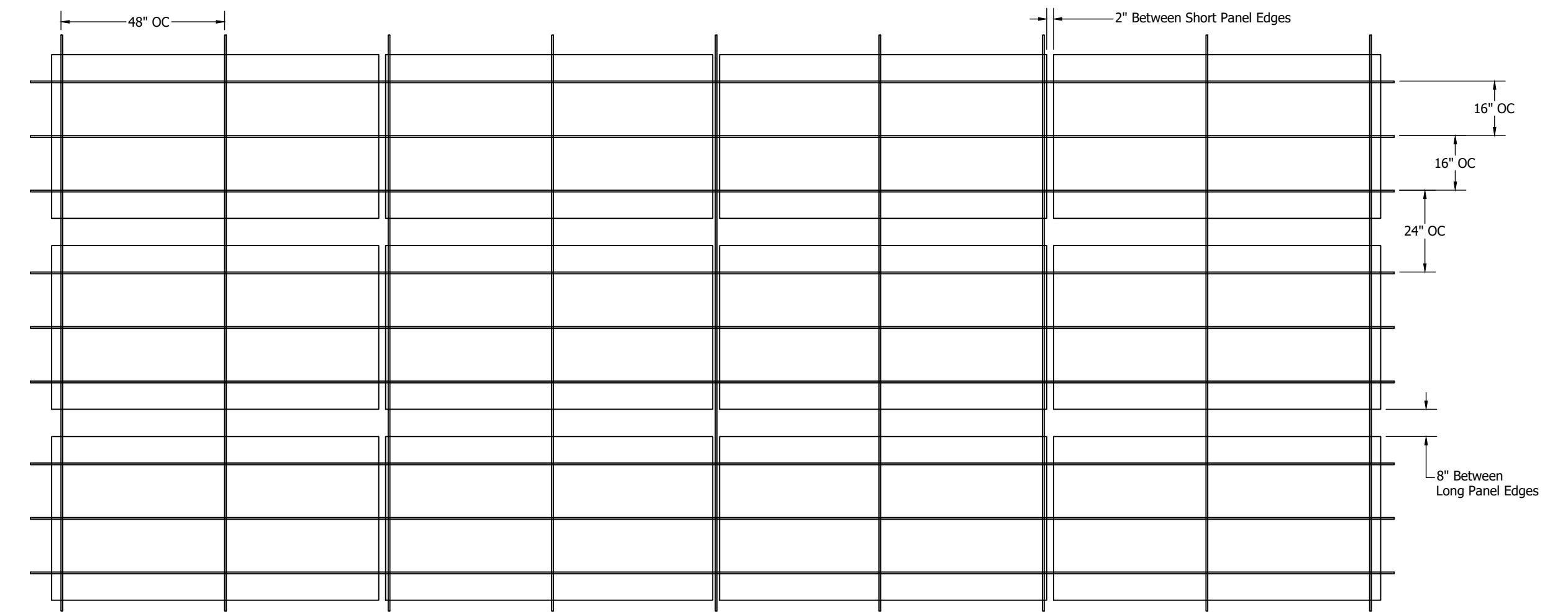
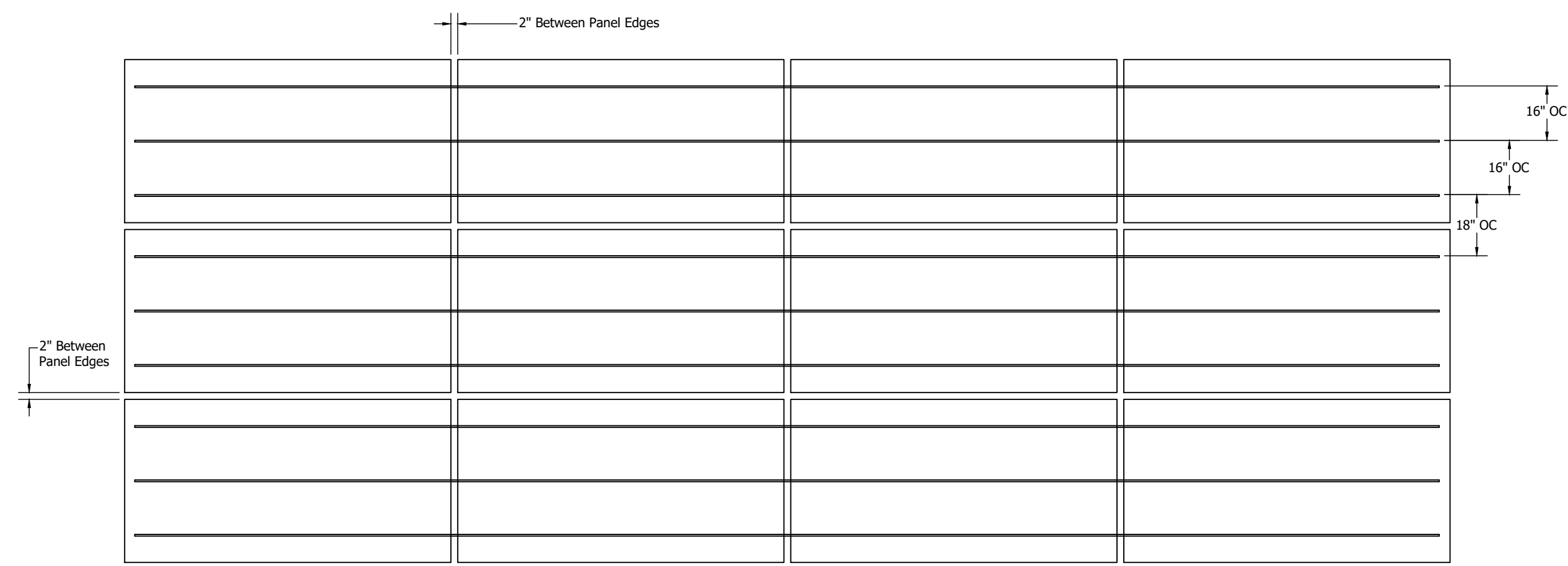
These drawings show typical conditions in which the Armstrong® product depicted is installed. They are not a substitute for an architect's or engineer's plan and do not reflect the unique requirements of local building codes, laws, statutes, ordinances, rules and regulations (Legal Requirements) that may be applicable for a particular installation.

Armstrong Ceiling Solutions does not warrant, and assumes no liability for the accuracy or completeness of the drawings for a particular installation or their fitness for a particular purpose. The user is advised to consult with a duly licensed architect or engineer in the particular locale of the installation to assure compliance with all legal requirements. Armstrong is not licensed to provide professional architecture or engineering design services.

PROJECT NAME: FELTWORKS PANELS MASTER SHEET		REV: .	DATE: .
DWG. NO. SHEET 1	SCALE: .		
DATE: 10/11/19	CHK BY: .		
DRAWN BY: MAP			

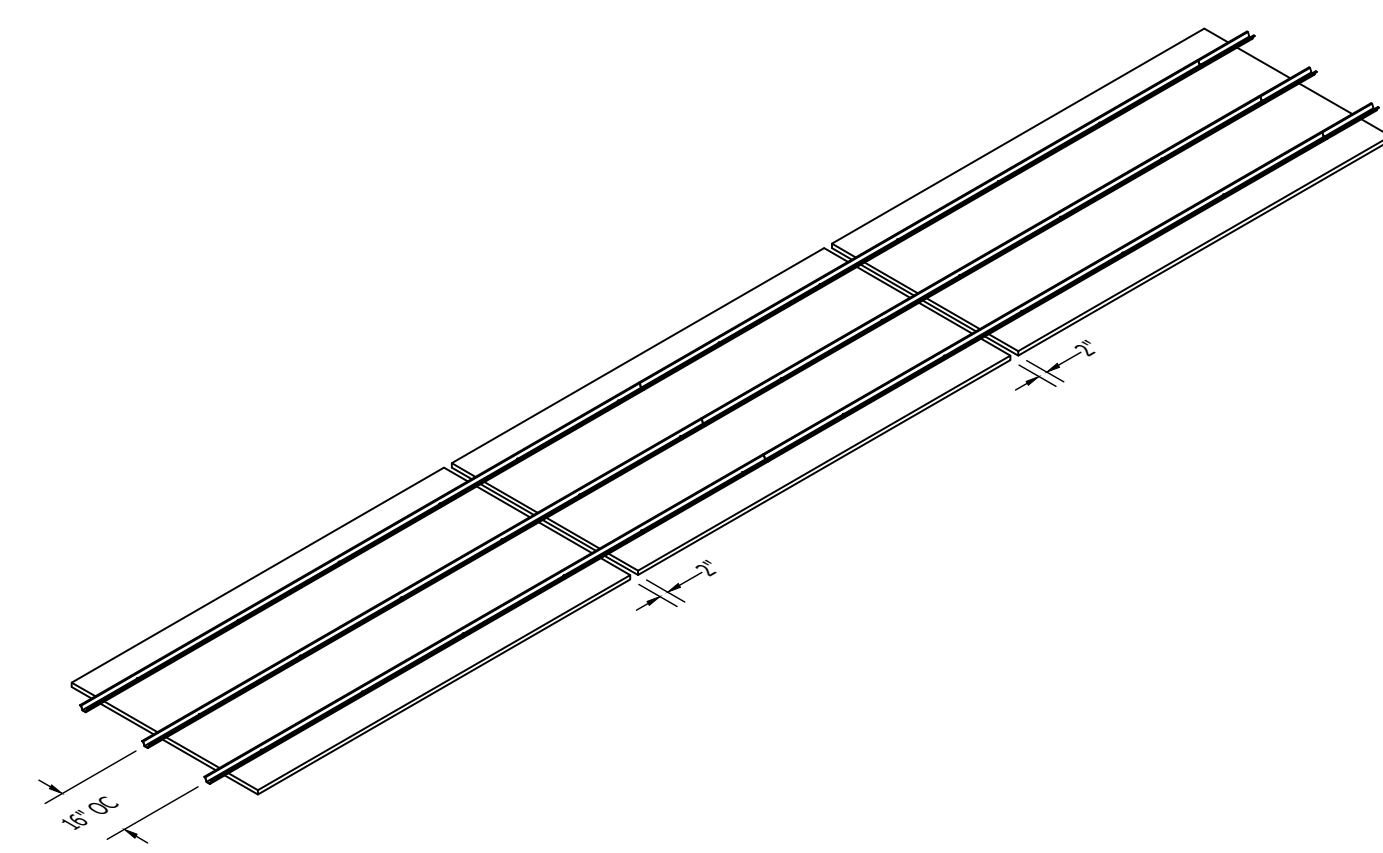
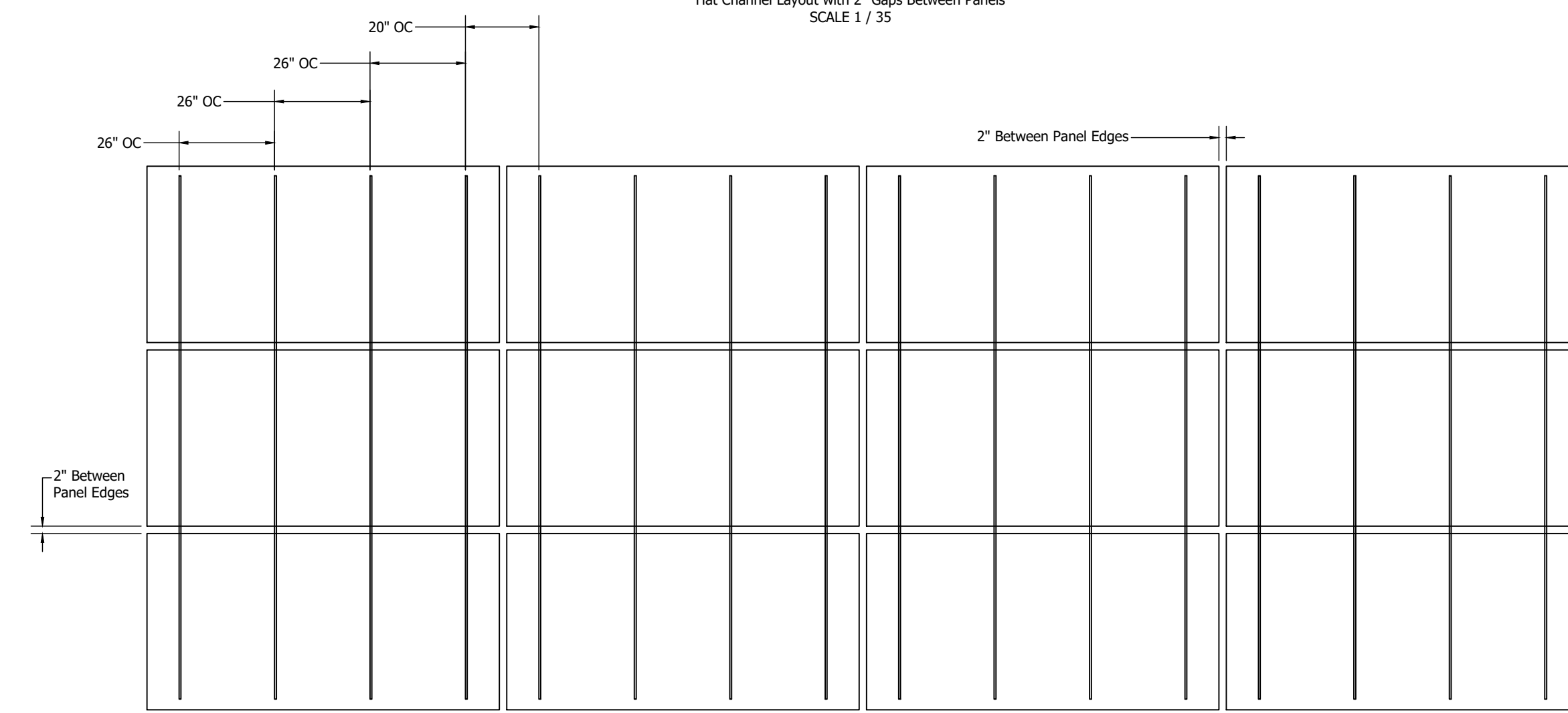
TechLine ARMSTRONG CEILING & WALL SOLUTIONS * Lancaster, PA * Phone: 877-ARMSTRONG **Armstrong** CEILING & WALL SOLUTIONS

FeltWorks Acoustical Panel Installation Layouts

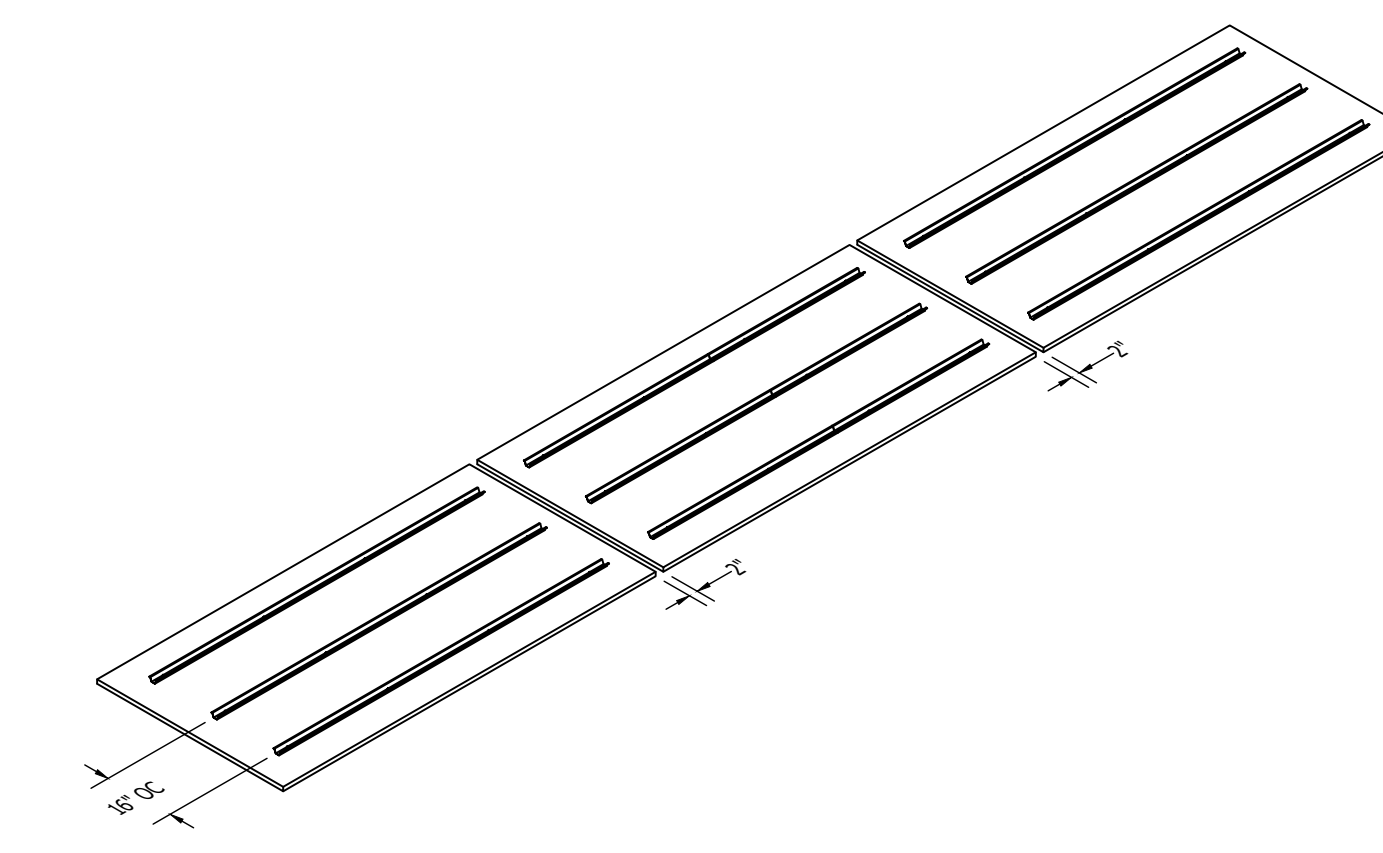
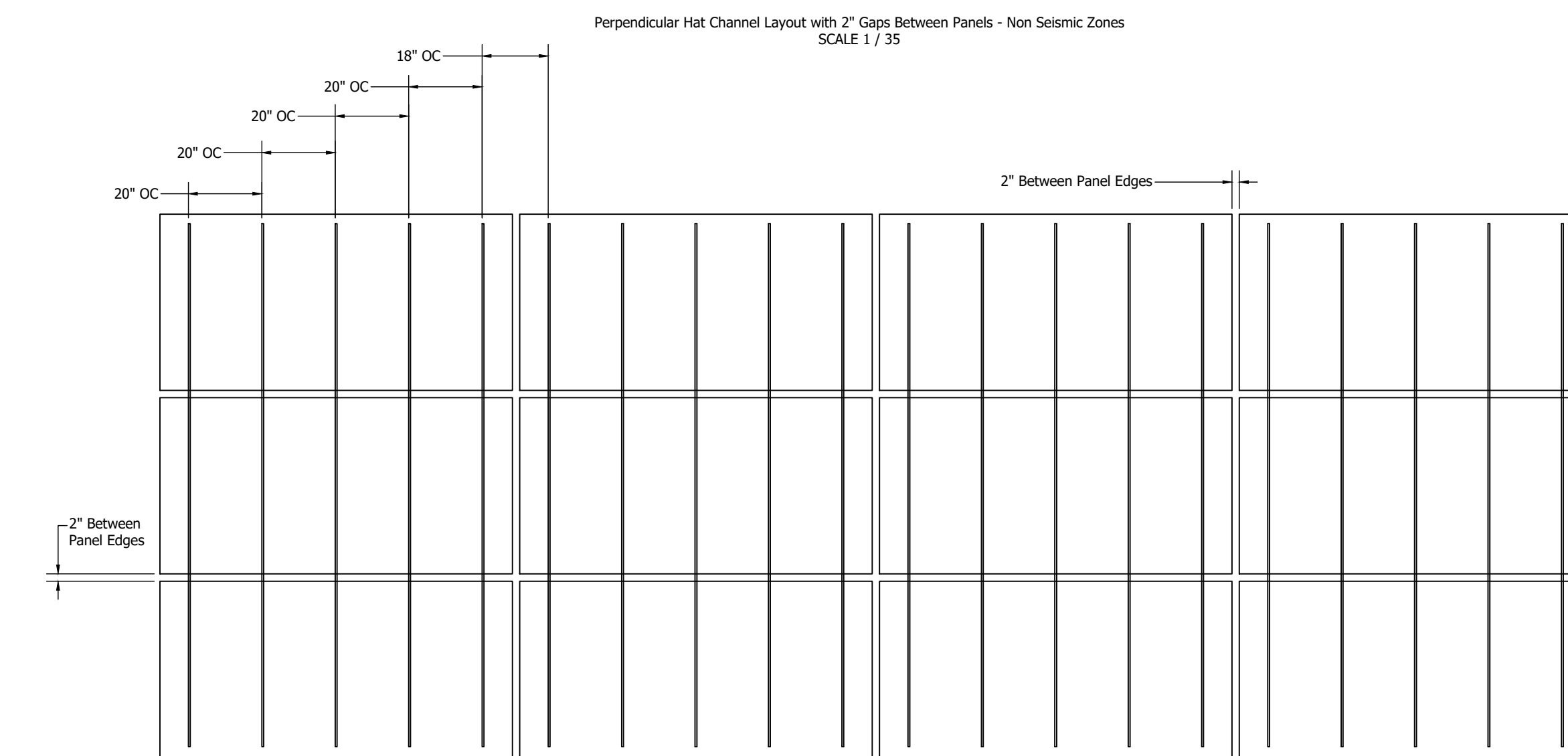


Hat Channel Layout with 2" Gaps Between Panels
SCALE 1 / 35

Drwall Grid Layout with 8" Gaps Between Long Panel Edges and 2" Gaps Between Short Panel Edges
SCALE 1 / 35



Hat Channel - Long Rows
SCALE 1 / 35



Hat Channel - Cut Back
SCALE 1 / 35

Perpendicular Hat Channel Layout with 2" Gaps Between Panels - Seismic Zones
SCALE 1 / 35

These drawings show typical conditions in which the Armstrong® product depicted is installed. They are not a substitute for an architect's or engineer's plan and do not reflect the unique requirements of local building codes, laws, statutes, ordinances, rules and regulations (Legal Requirements) that may be applicable for a particular installation.

Armstrong Ceiling Solutions does not warrant, and assumes no liability for the accuracy or completeness of the drawings for a particular installation or their fitness for a particular purpose. The user is advised to consult with a duly licensed architect or engineer in the particular locale of the installation to assure compliance with all Legal Requirements. Armstrong is not licensed to provide professional architecture or engineering design services.

PROJECT NAME: FELTWORKS PANELS MASTER SHEET		REV: .	DATE: .
DWG. NO. SHEET 2	SCALE: .		
DATE: 10/11/19	DRAWN BY: MAP	CHK BY: .	

Techn ARMSTRONG CEILING & WALL SOLUTIONS • Lancaster, PA • Phone: 877-ARMSTRONG **Armstrong**
CEILING & WALL SOLUTIONS