

FRAMEALL GRID SYSTEM MASTER SHEET LEGEND

SHEET #	DETAIL #	DRAWING
4	A-F004-MS-01	FLAT AND WALL ANGLE DETAILS
5	A-F004-MS-02	TRANSITION DETAILS
6	A-F004-MS-03	CURVED DETAILS
7	A-F004-MS-04	INTEGRATED DETAILS
8	A-F004-MS-05	DRYWALL ACCESSORIES
9	A-F004-MS-06	LIGHT COVE DETAILS
10	A-F004-AD-01	SEISMIC FLAT FRAMEALL ASSEMBLY
11	A-F004-DD-01	4' FLAT DRYWALL DETAIL
12	A-F004-DD-02	SHORTSPAN FRAMING DETAIL
13	A-F004-DD-03	SHORTSPAN "LOW PROFILE" FRAMING DETAIL
14	A-F004-DD-04	SIMPLE SOFFIT FRAMING DETAIL
15	A-F004-DD-05	KNURLED ANGLE MOLDINGS
16	A-F004-DD-06	LOCKING ANGLE MOLDING
17	A-F004-DD-07	SIMPLECURVE KNURLNED ANGLE MOLDING SC151225
18	A-F004-DD-08	SIMPLECURVE KNURLED ANGLE MOLDING SC21225
19	A-F004-DD-09	SIMPLECURVE KAM WITH FRAMEALL DRYWALL GRID
20	A-F004-DD-10	DW60C APPLICATION
21	A-F004-DD-11	DW90C APPLICATION
22	A-F004-DD-12	CENTER CEILING DRYWALL POCKET
23	A-F004-DD-13	SHORTSPAN VERTICAL SOFFIT
24	A-F004-DD-14	ANGLED DRYWALL POCKET - TEGULAR

These drawings show typical conditions in which the Armstrong product depicted is installed. They are not a substitute for an architect's or engineer's plan and do not reflect the unique requirements of local building codes, laws, statutes, ordinances, rules and regulations (Legal Requirements) that may be applicable for a particular installation.

Armstrong does not warrant, and assumes no liability for the accuracy or completeness of the drawings for a particular installation or their fitness for a particular purpose. The user is advised to consult with a duly licensed architect or engineer in the particular locale of the installation to assure compliance with all Legal Requirements.

Armstrong is not licensed to provide professional architecture or engineering design services.

PROJECT NAME: FRAMEALL GRID SYSTEM MASTER SHEET		REV: .	DATE: .
DWG. NO. A-F004-MS-00		SCALE: .	DESC.: .
DATE: 6/27/24	DRAWN BY: DAG	CHK BY: .	



FRAMEALL GRID SYSTEM MASTER SHEET LEGEND

SHEET #	DETAIL #	DRAWING
25	A-F004-DD-15	AXIOM TRANSITION ACT TO GYP
26	A-F004-DD-16	ONE PIECE AXIOM FOR DRYWALL PERIMETER TRIM
27	A-F004-DD-17	STEEL TRANSITION 7904 ACOUSTICAL TO DRYWALL
28	A-F004-DD-18	AXIOM TRANSITION ACT TO GYP FOR SEISMIC APPLICATION
29	A-F004-DD-19	ONE PIECE AXIOM FOR DRYWALL
30	A-F004-DD-20	DRYWALL DOME RCP
31	A-F004-DD-21	DRYWALL BARREL VAULT
32	A-F004-DD-22	CURVED DRYWALL TEMPLATE
33	A-F004-DD-23	ITEM RC2 RADIUS CLIP
34	A-F004-DD-24	REVERSE DRYWALL DOME
35	A-F004-DD-25	DRYWALL SERPENTINED CLOUD
36	A-F004-DD-26	TWO INTERSECTING BARREL VAULTS
37	A-F004-DD-27	FLUSH DRYWALL PERIMETER WITH DRYWALL PANEL
38	A-F004-DD-28	DRYWALL PERIMETER ACOUSTICAL TO DRYWALL SURROUND
39	A-F004-DD-29	DRYWALL PERIMETER 2' WIDE OR LESS
40	A-F004-DD-30	DRYWALL PERIMETER 2' WIDE OR MORE
41	A-F004-DD-31	FLUSH DRYWALL PERIMETER WITH TEGULAR PANEL
42	A-F004-DD-32	STEPPED DRYWALL PERIMETER TO ACOUSTICAL CEILING
43	A-F004-DD-33	HIGH HAT FIXTURE IN DRYWALL CEILING
44	A-F004-DD-34	HID FIXTURE IN DRYWALL CEILING

These drawings show typical conditions in which the Armstrong product depicted is installed. They are not a substitute for an architect's or engineer's plan and do not reflect the unique requirements of local building codes, laws, statutes, ordinances, rules and regulations (Legal Requirements) that may be applicable for a particular installation.

Armstrong does not warrant, and assumes no liability for the accuracy or completeness of the drawings for a particular installation or their fitness for a particular purpose. The user is advised to consult with a duly licensed architect or engineer in the particular locale of the installation to assure compliance with all Legal Requirements.

Armstrong is not licensed to provide professional architecture or engineering design services.

PROJECT NAME: FRAMEALL GRID SYSTEM MASTER SHEET		REV: .	DATE: .
DWG. NO. A-F004-MS-00		SCALE: .	DESC.: .
DATE: 6/27/24	DRAWN BY: DAG	CHK BY: .	



FRAMEALL GRID SYSTEM MASTER SHEET LEGEND

SHEET #	DETAIL #	DRAWING
45	A-F004-DD-35	ITEM MBAC DRYWALL ATTACHMENT CLIP
46	A-F004-DD-36	DWACS DRYWALL ATTACHMENT CLIP
47	A-F004-DD-37	EXTERIOR HOLD DOWN CLIP
48	A-F004-DD-38	ADJUSTABLE GRID SPACER CLIP
49	A-F004-DD-39	SB12P STRONGBACK
50	A-F004-DD-40	ITEM XTAC CROSS TEE ADAPTER CLIP
51	A-F004-DD-41	DDC DOUBLE DRYWALL CLIP
52	A-F004-DD-42	ITEM DLCC DIRECT LOAD CEILING CLIP
53	A-F004-DD-43	ITEM DW58LT AND DW50LT DRYWALL TRANSITION CLIP WITH LOCKING TABS
54	A-F004-DD-44	ITEM DWC DRYWALL CUP
55	A-F004-DD-45	ITEM QSUTC QUIKSTIX UPTIGHT CLIP
56	A-F004-DD-46	IMPACT ISOLATION CLIP APPLICATION
57	A-F004-DD-47	DRYWALL BARREL AND LIGHT COVE
58	A-F004-DD-48	AXIOM LIGHT COVE DRYWALL TO DRYWALL
59	A-F004-DD-49	AXIOM ACOUSTICAL LIGHT COVE WITH DRYWALL CEILING
60	A-F004-DD-50	DRYWALL LIGHT COVE
61	A-F004-DD-51	AXIOM DRYWALL AND ACOUSTICAL CEILING USING DRYWALL GRID
62	A-F004-DD-52	LINEAR DEVICE IN OPENING
63	A-F004-DD-53	LIGHT FIXTURE AT CUT MAIN BEAM
64	A-F004-DD-54	TYPICAL FRAMED OPENING

These drawings show typical conditions in which the Armstrong product depicted is installed. They are not a substitute for an architect's or engineer's plan and do not reflect the unique requirements of local building codes, laws, statutes, ordinances, rules and regulations (Legal Requirements) that may be applicable for a particular installation.

Armstrong does not warrant, and assumes no liability for the accuracy or completeness of the drawings for a particular installation or their fitness for a particular purpose. The user is advised to consult with a duly licensed architect or engineer in the particular locale of the installation to assure compliance with all Legal Requirements.

Armstrong is not licensed to provide professional architecture or engineering design services.

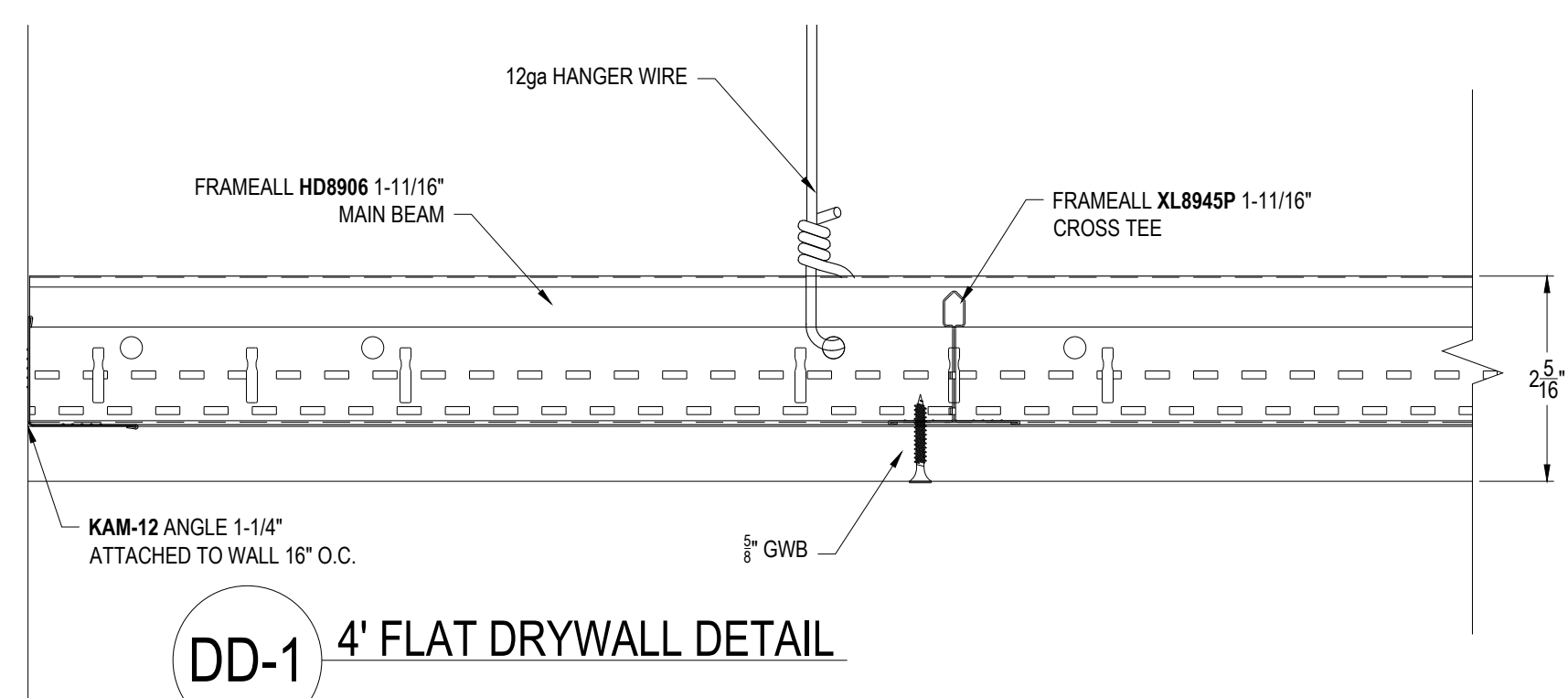
PROJECT NAME: FRAMEALL GRID SYSTEM MASTER SHEET		REV: .	DATE: .
DWG. NO. A-F004-MS-00		SCALE: .	DESC.: .
DATE: 6/27/24	DRAWN BY: DAG	CHK BY: .	



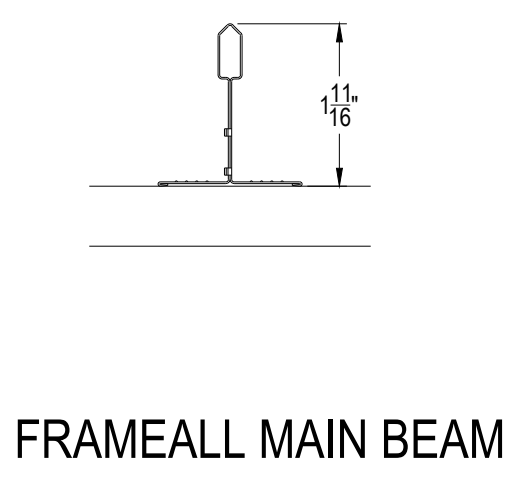
CEILING & WALL SOLUTIONS * ARMSTRONG WORLD INDUSTRIES, INC. * Lancaster, PA * Phone: 877-ARMSTRONG



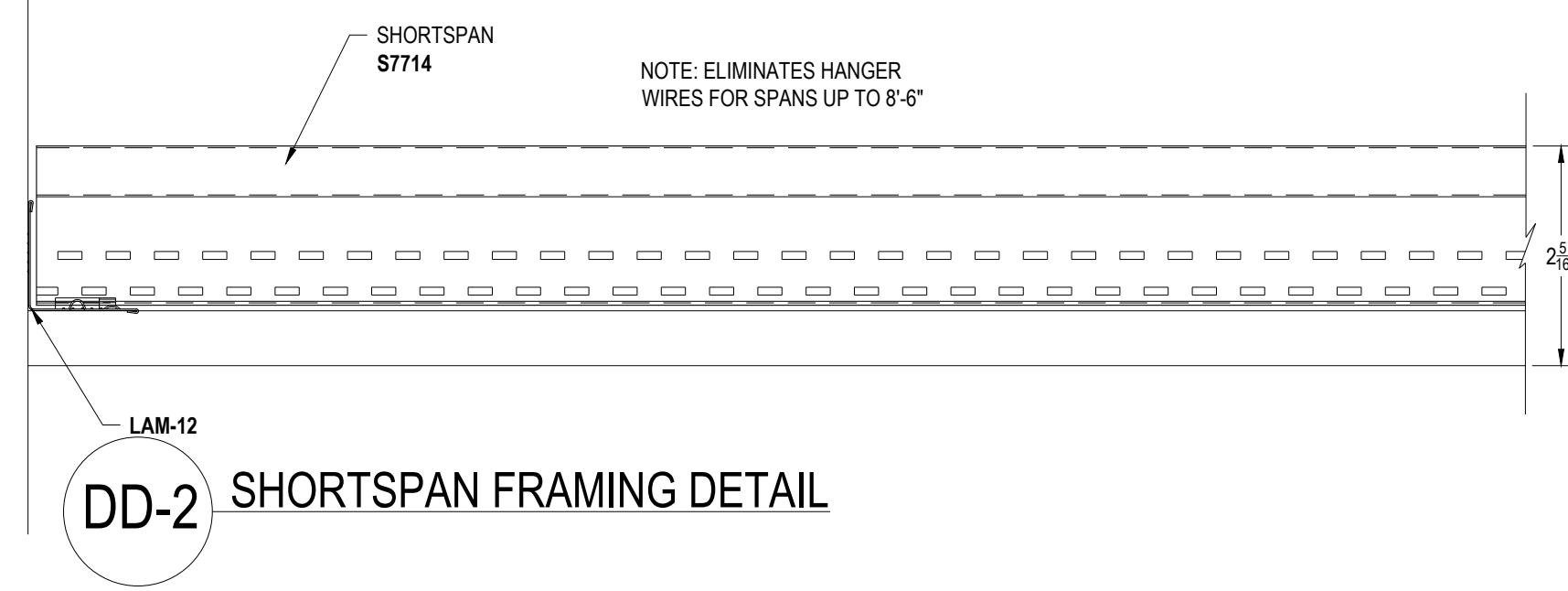
FLAT DETAILS



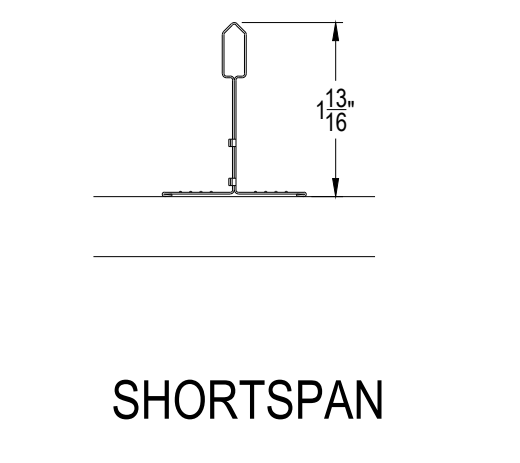
DD-1 4' FLAT DRYWALL DETAIL



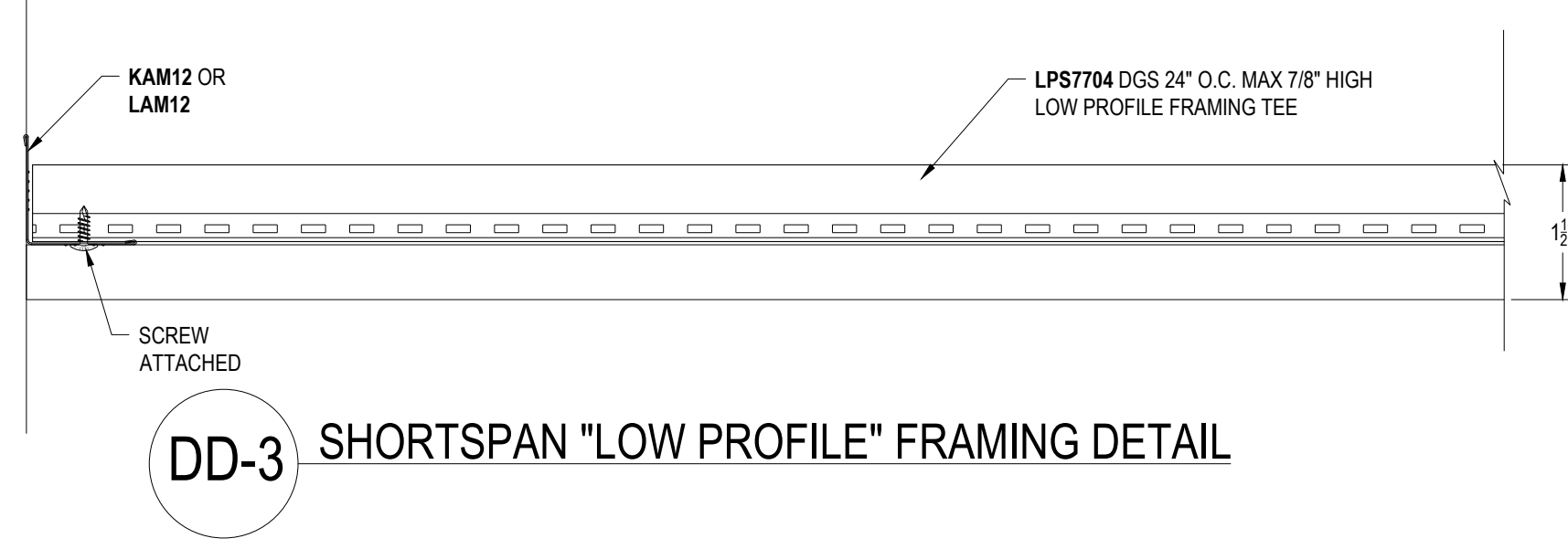
FRAMEALL MAIN BEAM



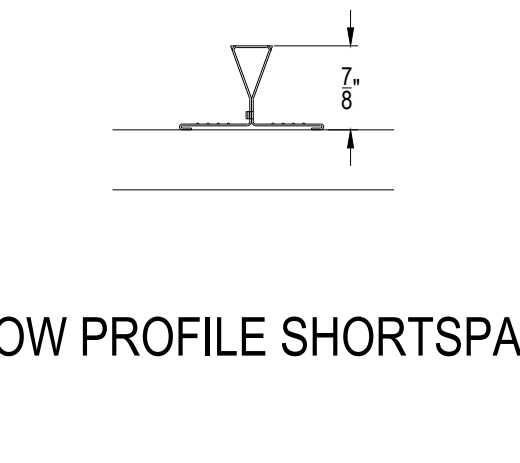
DD-2 SHORTSPAN FRAMING DETAIL



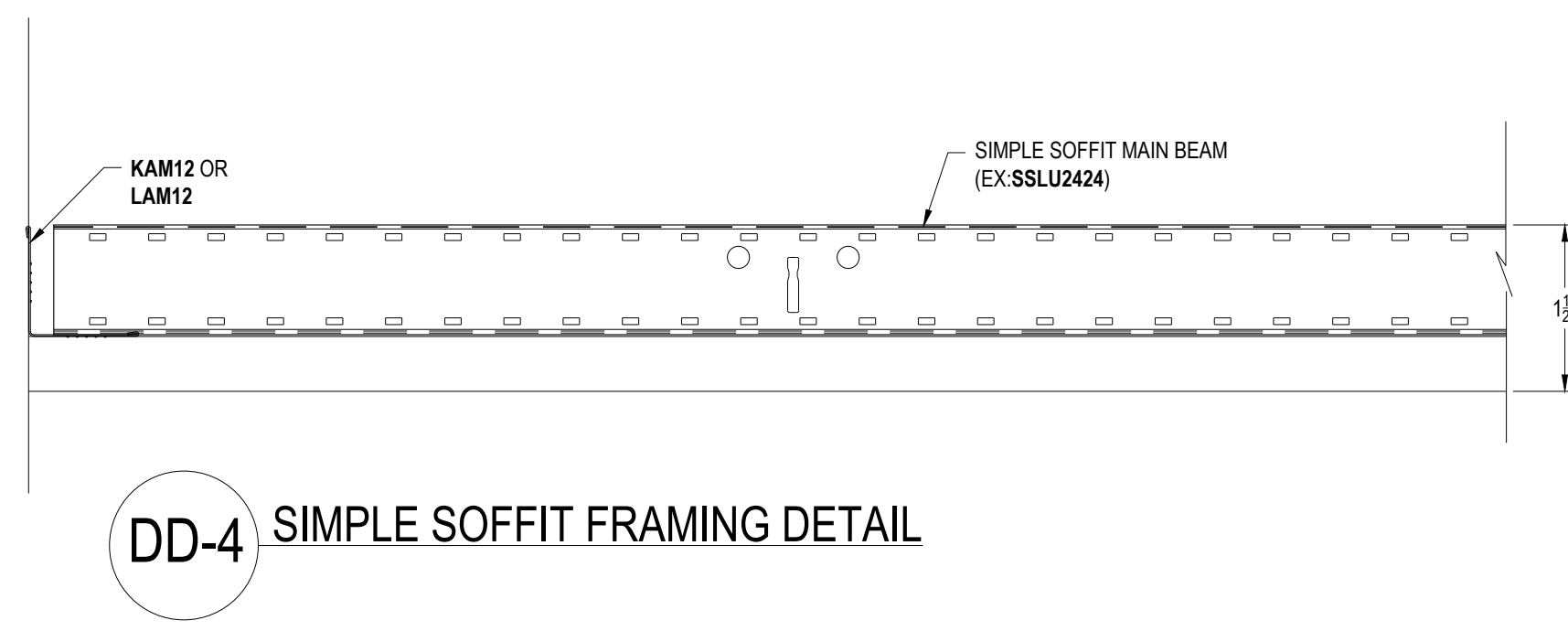
SHORTSPAN



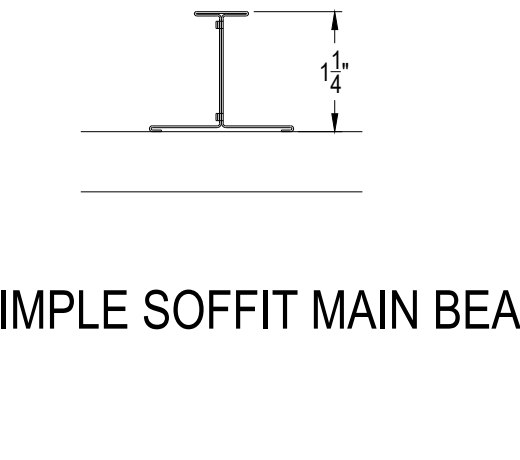
DD-3 SHORTSPAN "LOW PROFILE" FRAMING DETAIL



LOW PROFILE SHORTSPAN

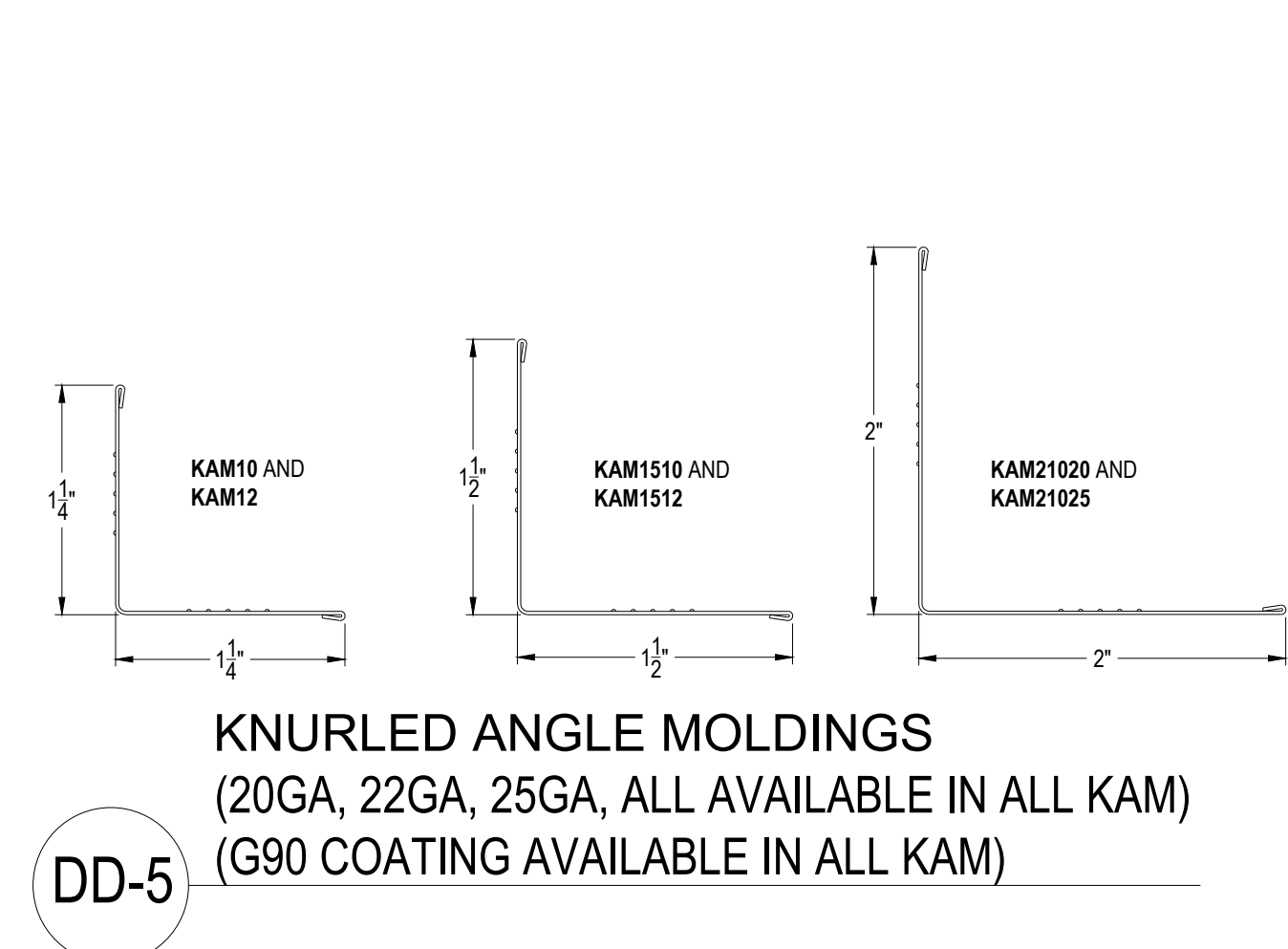


DD-4 SIMPLE SOFFIT FRAMING DETAIL



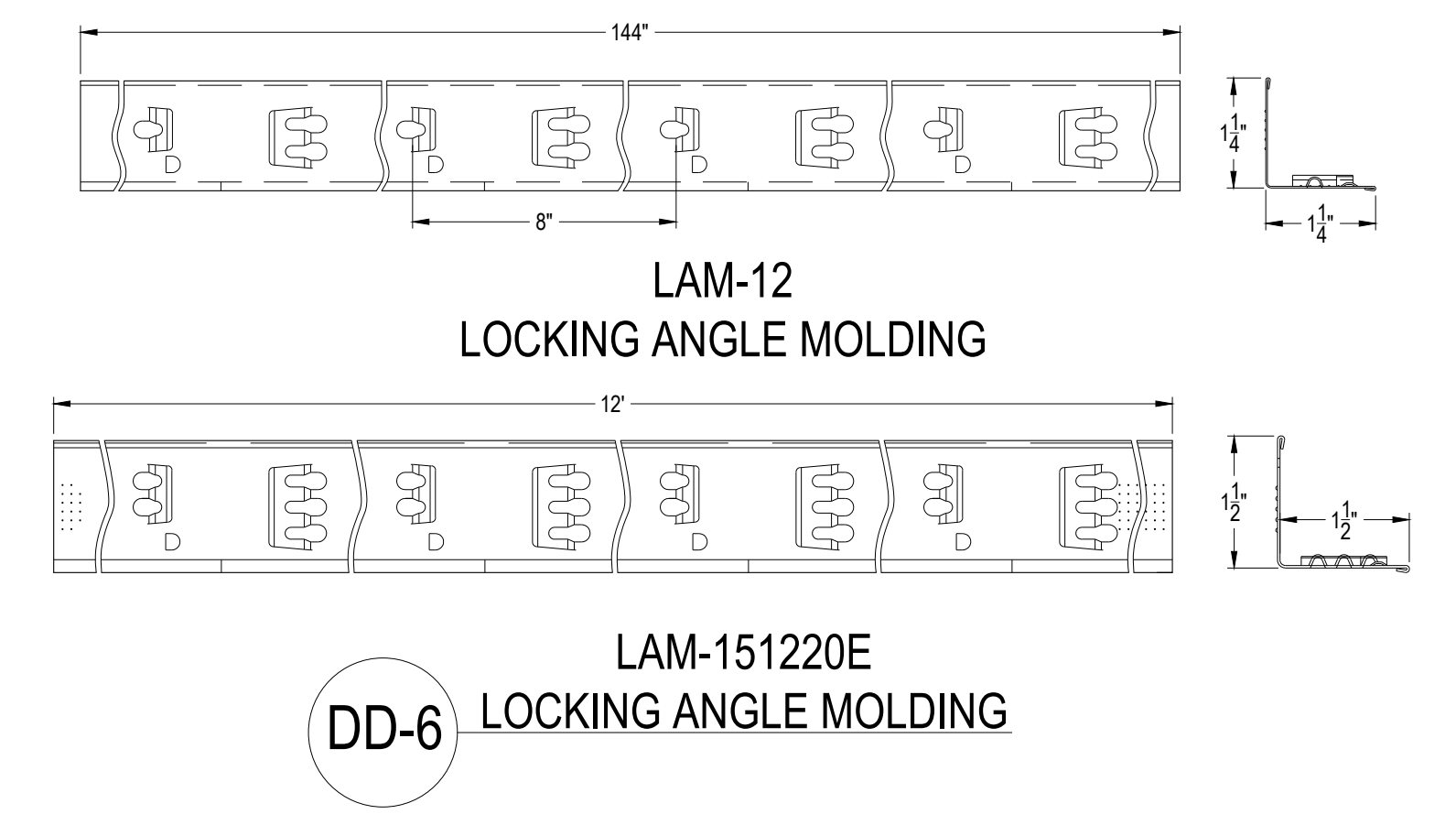
SIMPLE SOFFIT MAIN BEAM

WALL ANGLE DETAILS



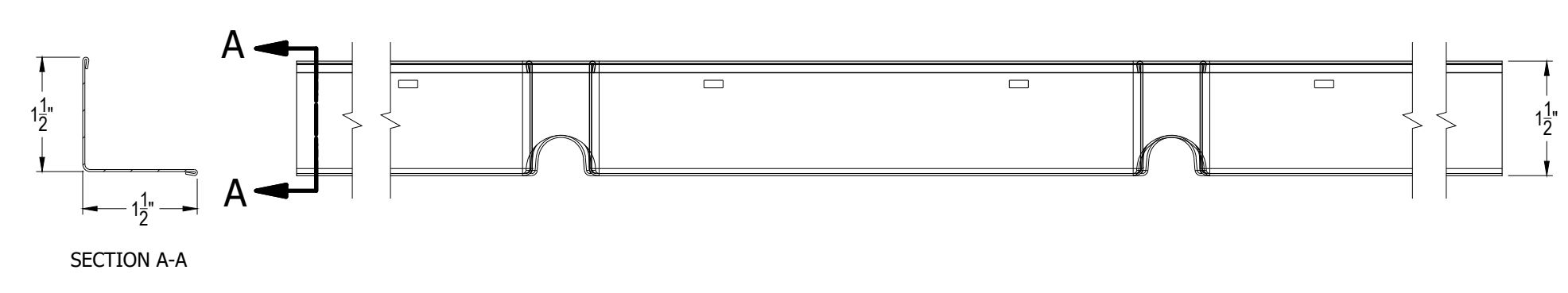
DD-5

KNURLED ANGLE MOLDINGS
(20GA, 22GA, 25GA, ALL AVAILABLE IN ALL KAM)
(G90 COATING AVAILABLE IN ALL KAM)



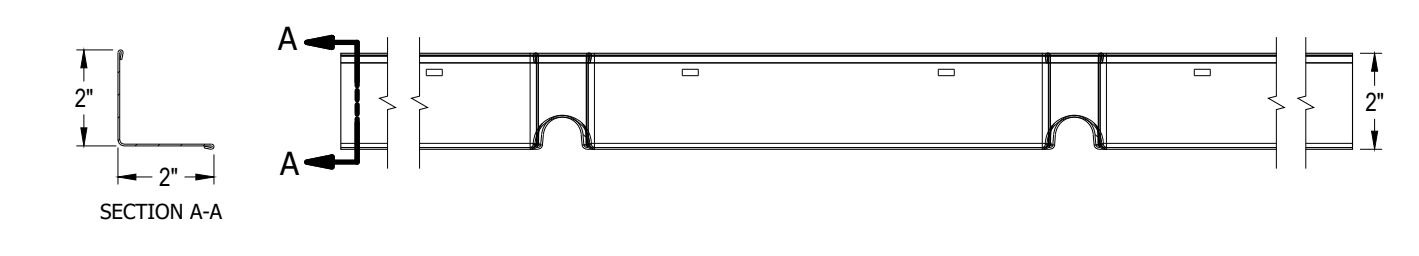
DD-6

LAM-151220E
LOCKING ANGLE MOLDING



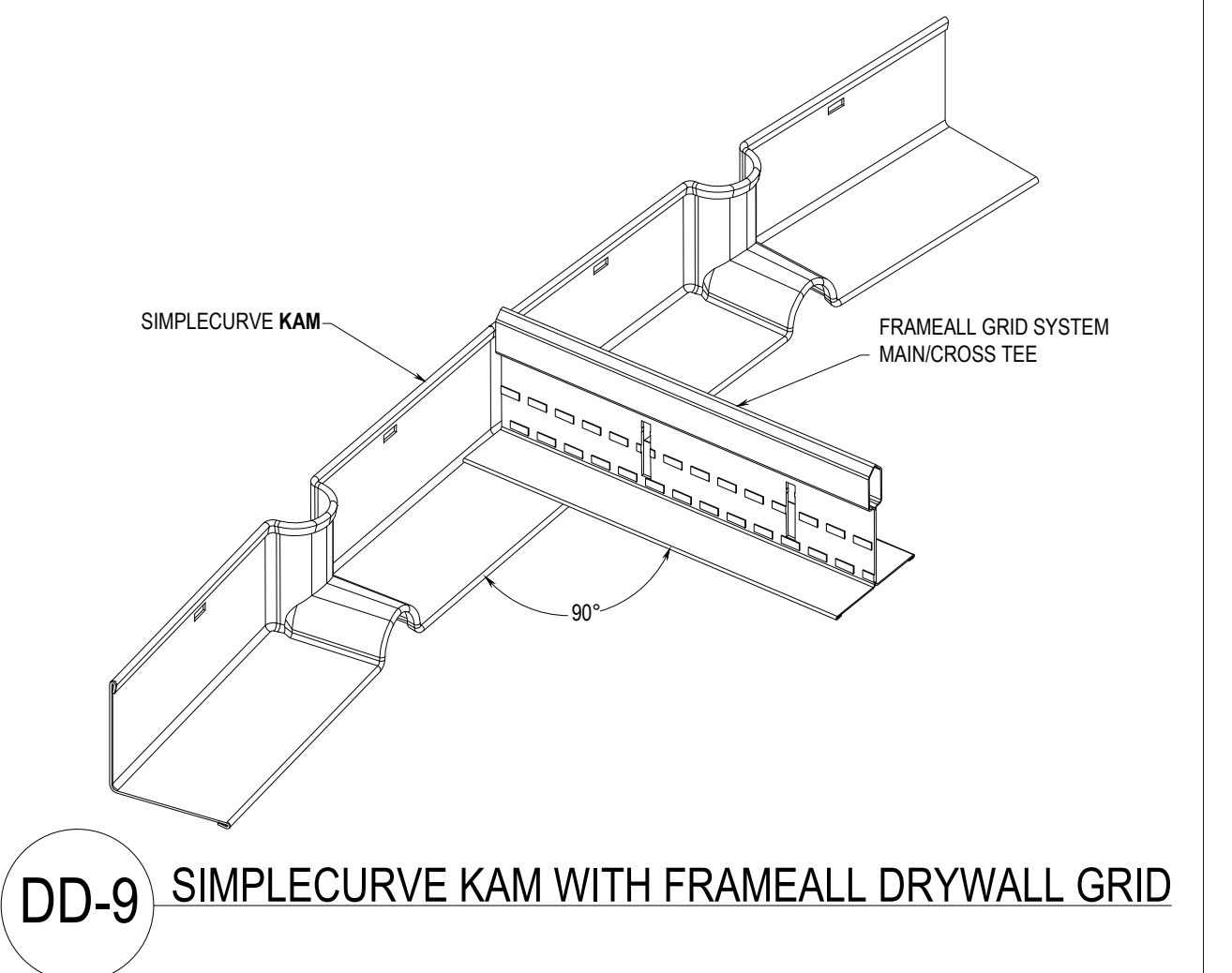
DD-7

SIMPLECURVE KNURLED ANGLE MOLDING SC151225
(22GA, 25GA, ALL AVAILABLE IN ALL KAM)
(G90 COATING AVAILABLE IN ALL KAM)



DD-8

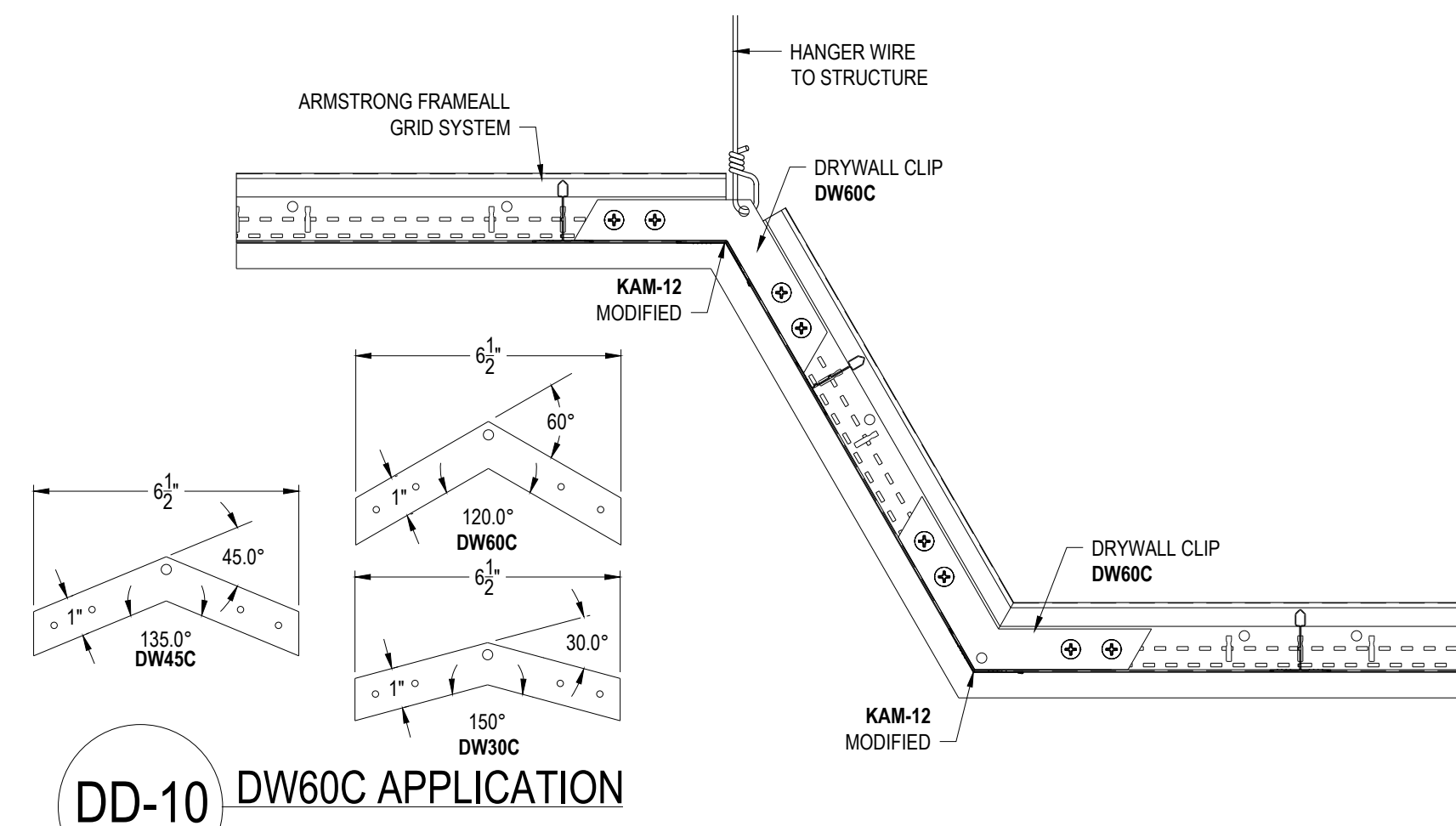
SIMPLECURVE KNURLED ANGLE MOLDING SC21225
(22GA, 25GA, ALL AVAILABLE IN ALL KAM)
(G90 COATING AVAILABLE IN ALL KAM)



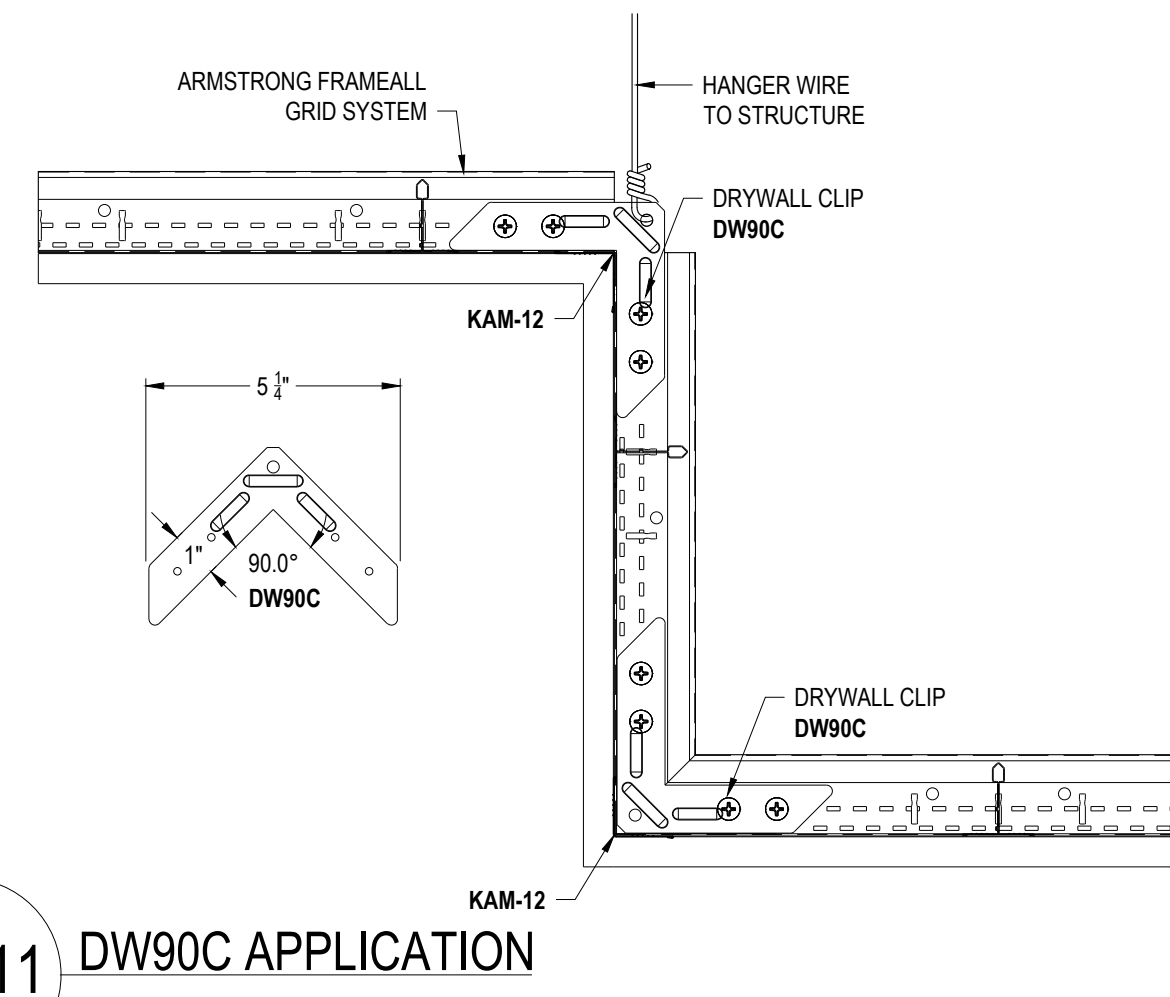
DD-9

SIMPLECURVE KAM WITH FRAMEALL DRYWALL GRID

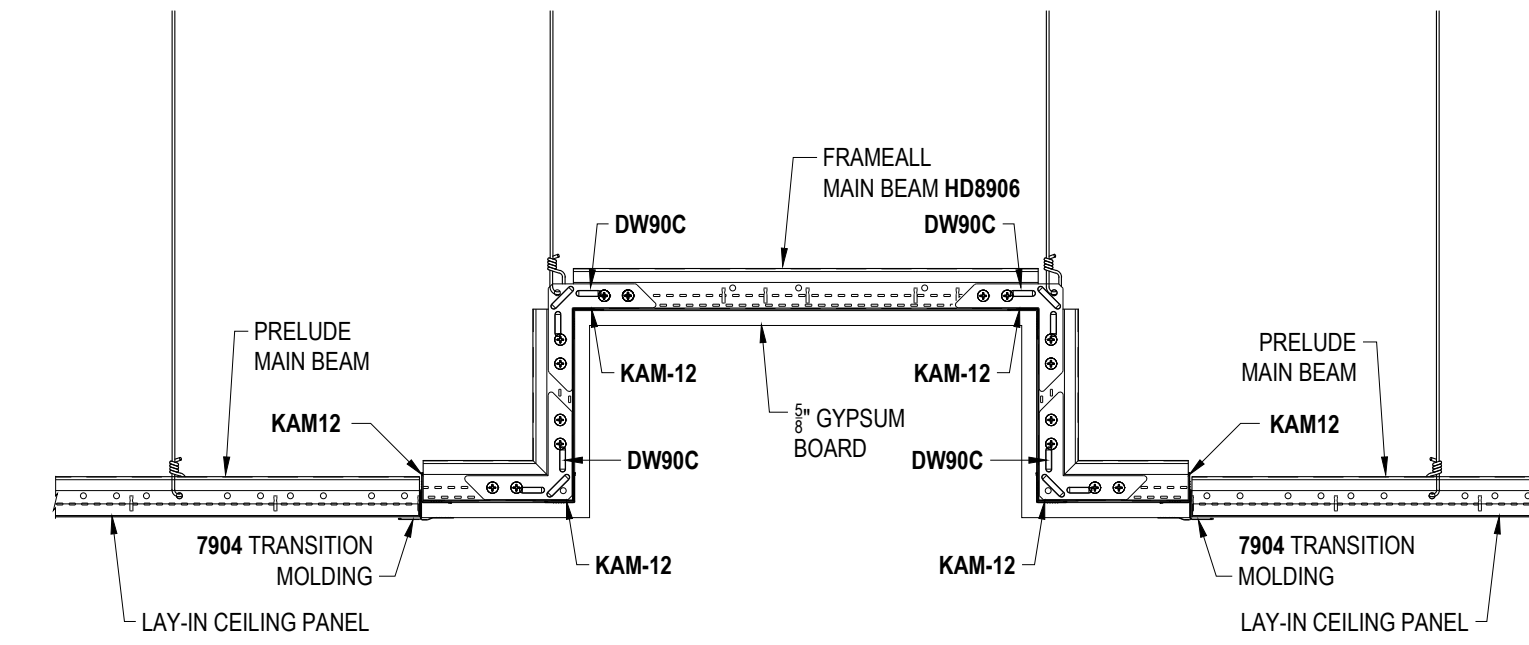
TRANSITION DETAILS



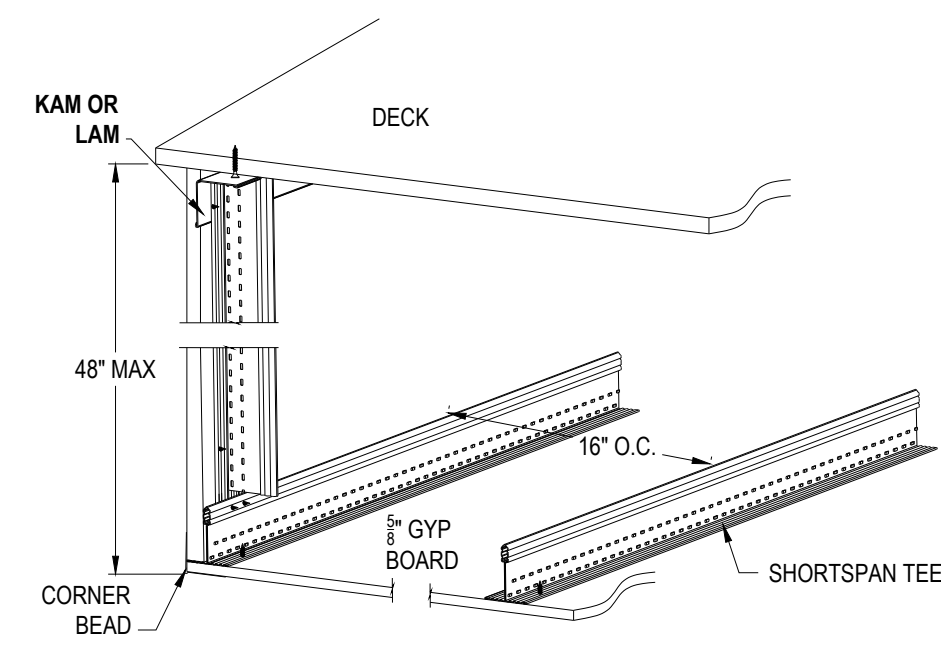
DD-10 DW60C APPLICATION



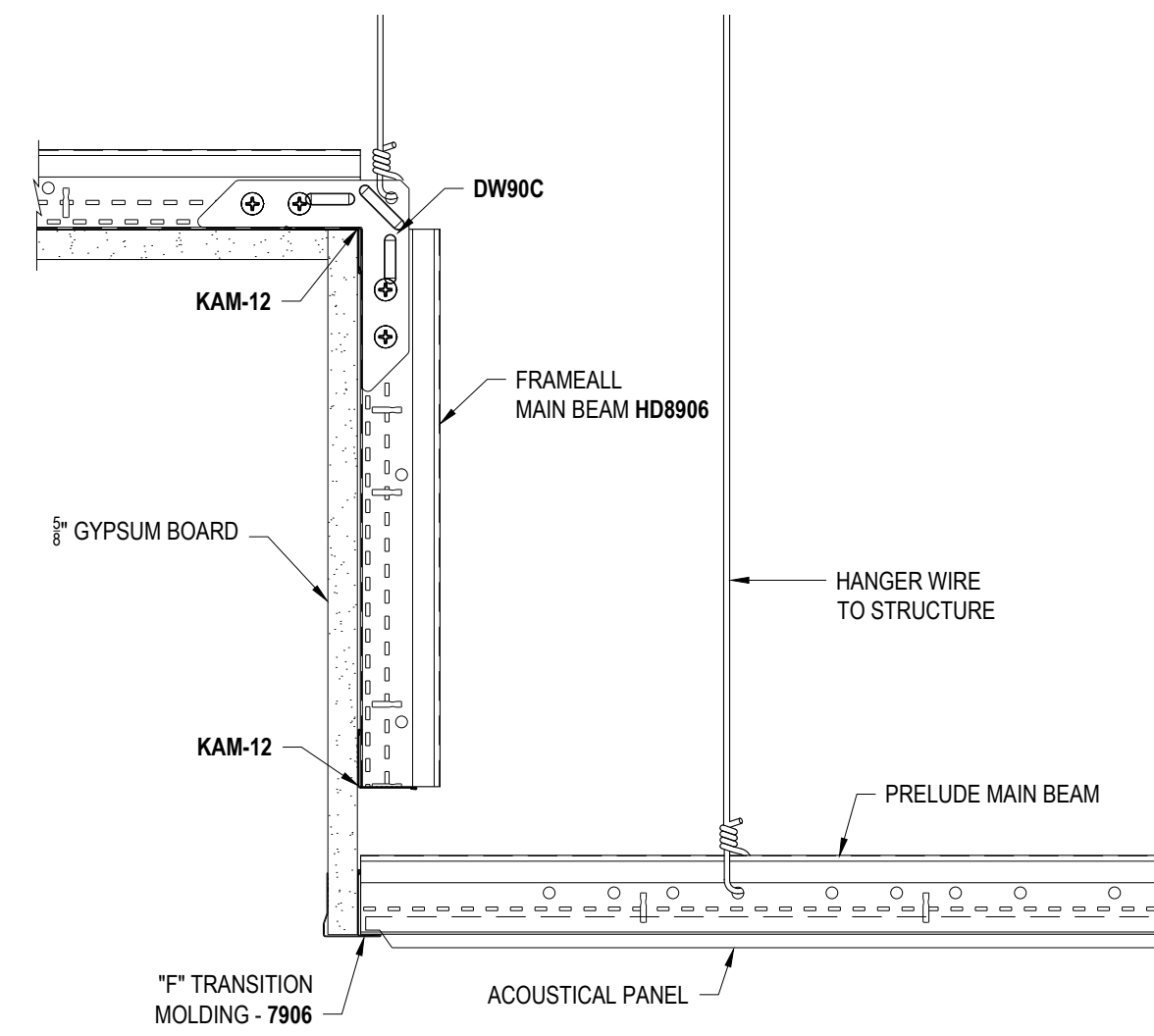
DD-11 DW90C APPLICATION



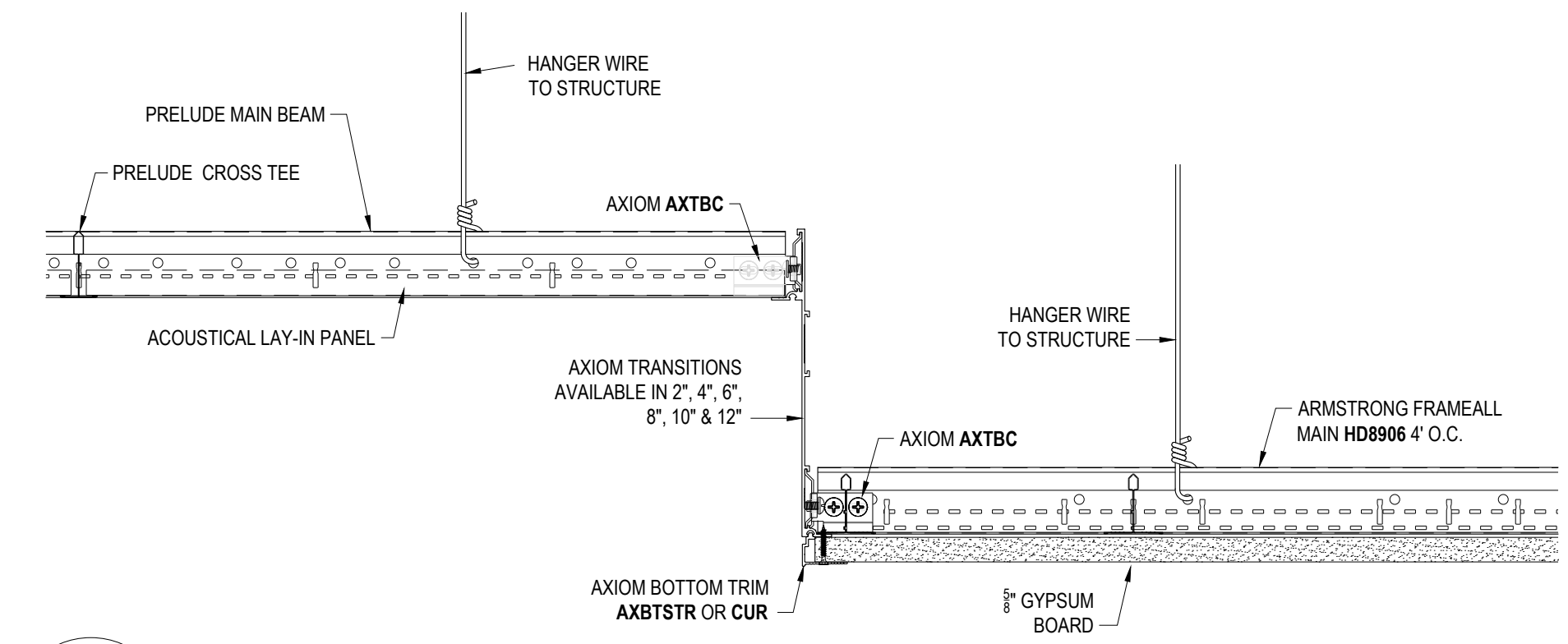
DD-12 CENTER CEILING DRYWALL POCKET



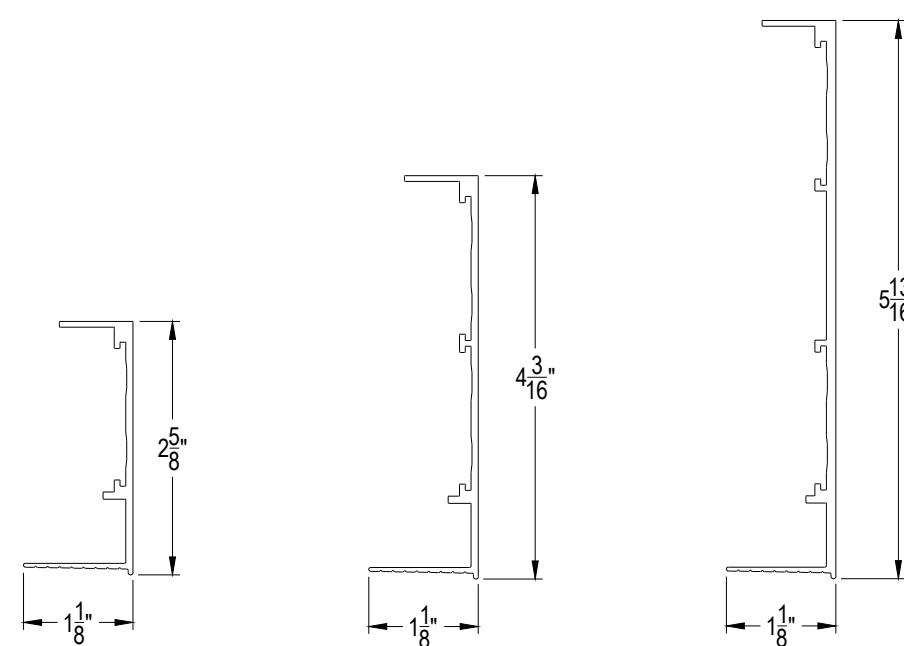
DD-13 SHORTSPAN VERTICAL SOFFIT



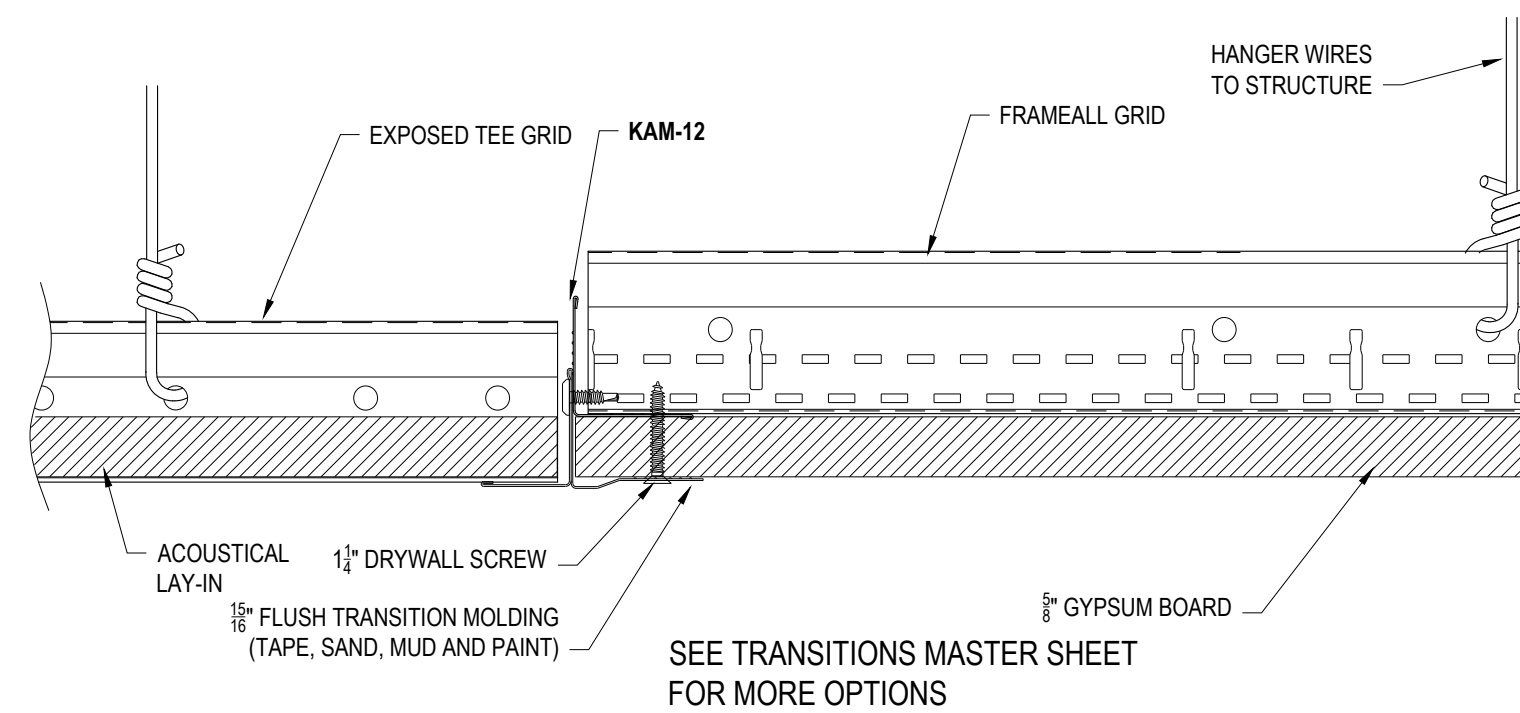
DD-14 ANGLED DRYWALL POCKET - TEGULAR



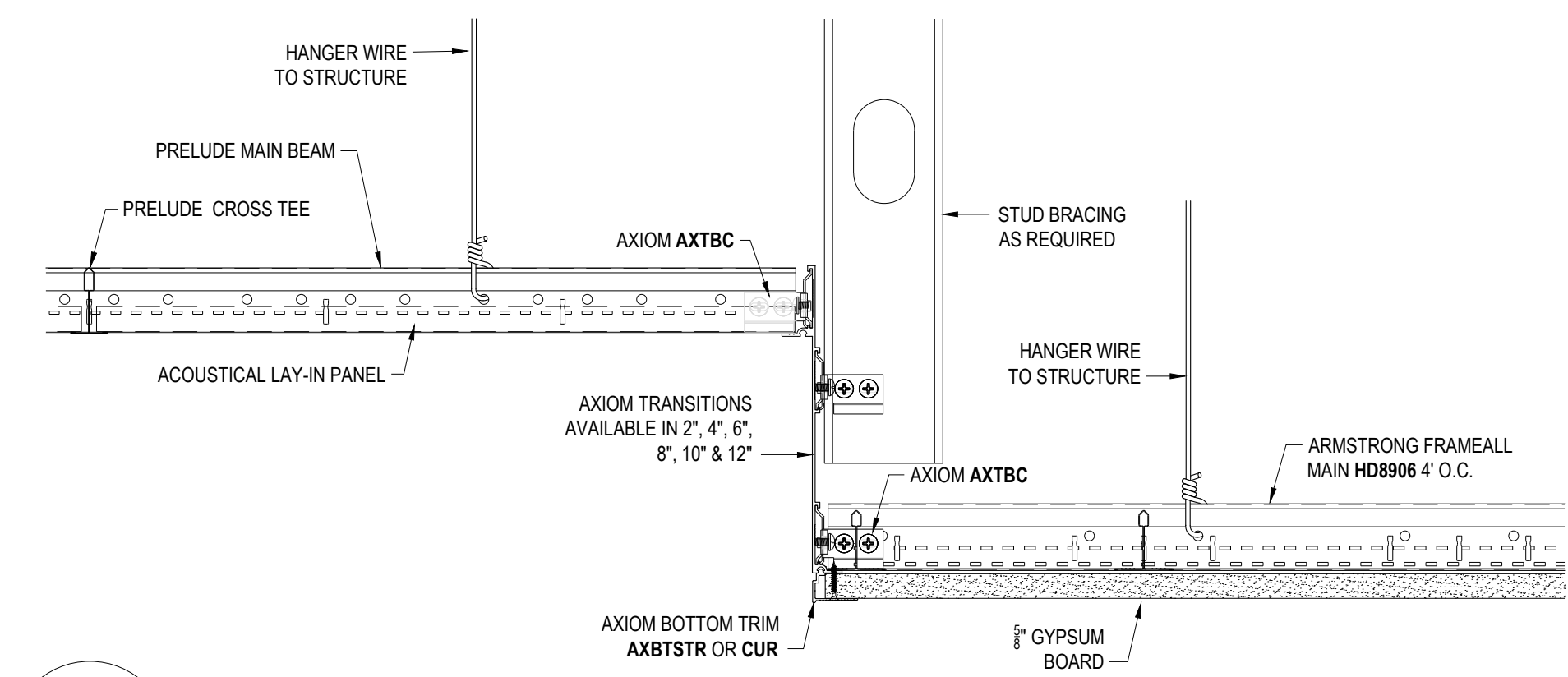
DD-15 AXIOM TRANSITION ACT TO GYP



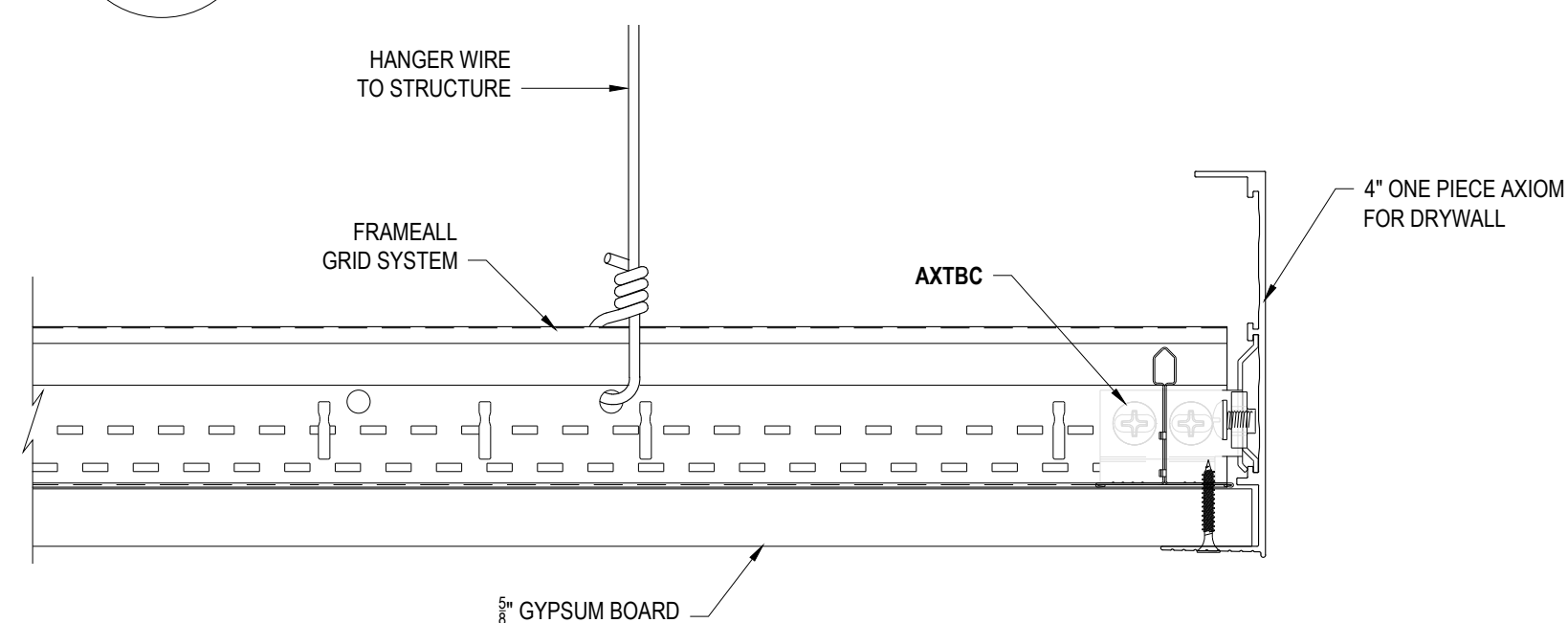
DD-16 ONE PIECE AXIOM FOR DRYWALL PERIMETER TRIM



DD-17 STEEL TRANSITION 7904 ACOUSTICAL TO DRYWALL



DD-18 AXIOM TRANSITION ACT TO GYP FOR SEISMIC APPLICATION

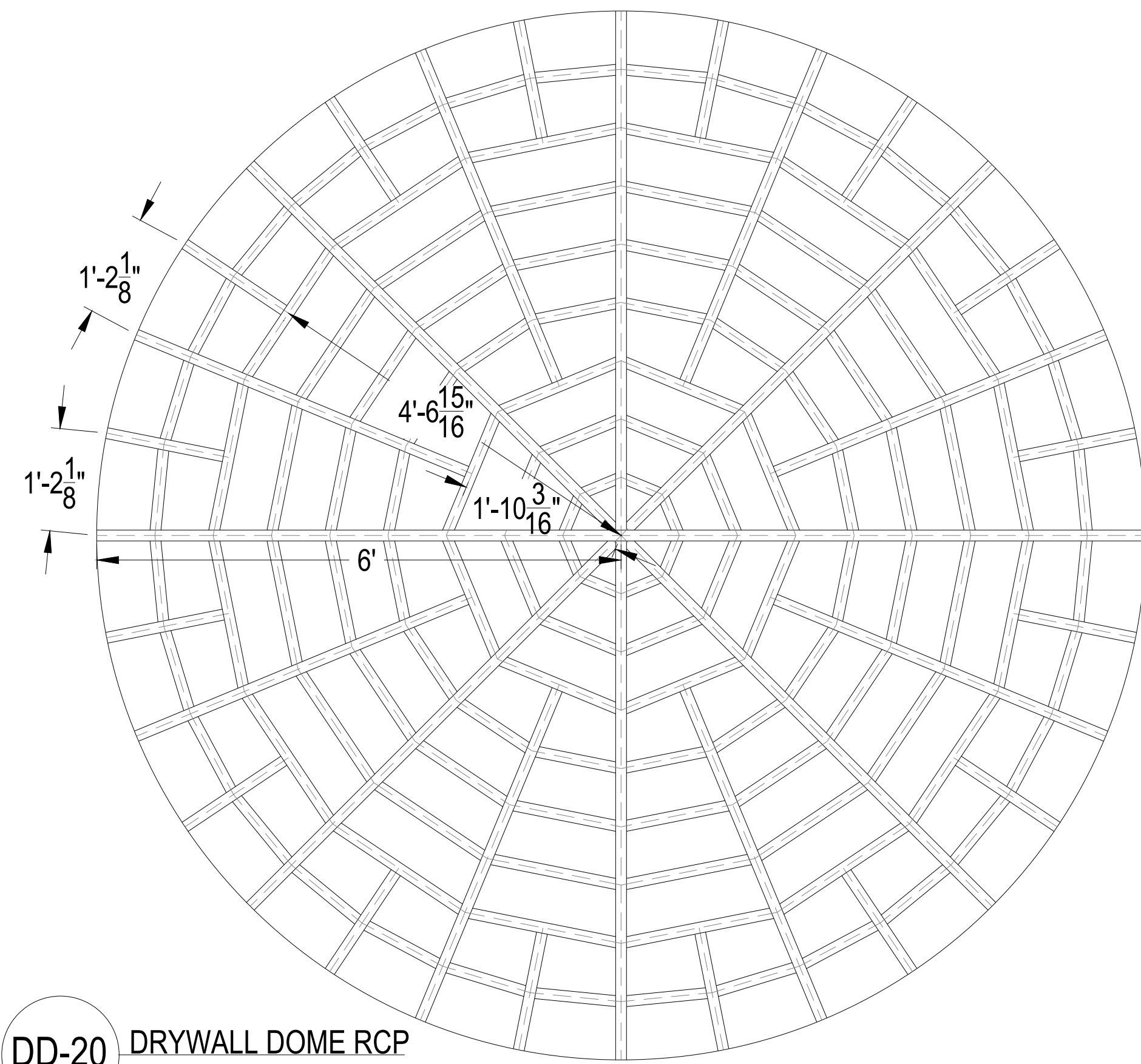


DD-19 ONE PIECE AXIOM FOR DRYWALL

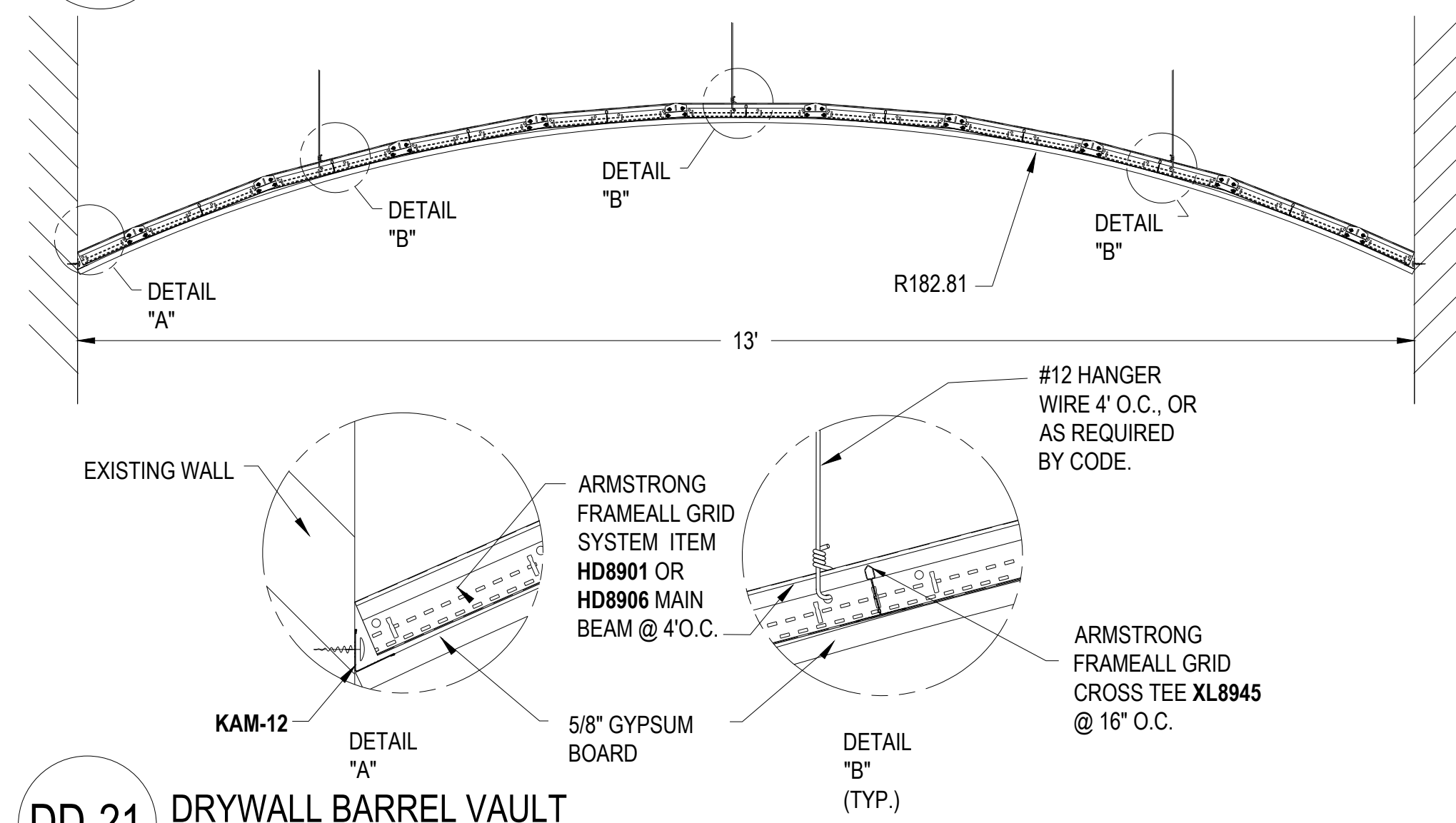
These drawings show typical conditions in which the Armstrong® product depicted is installed. They are not a substitute for an architect's or engineer's plan and do not reflect the unique requirements of local building codes, laws, statutes, ordinances, rules and regulations (Legal Requirements) that may be applicable for a particular installation. Armstrong Ceiling Solutions does not warrant, and assumes no liability for the accuracy or completeness of the drawings for a particular installation or their fitness for a particular purpose. The user is advised to consult with a duly licensed architect or engineer in the particular locale of the installation to assure compliance with all Legal Requirements. Armstrong is not licensed to provide professional architecture or engineering design services.

PROJECT NAME: FRAMEALL GRID SYSTEM MASTER SHEET		REV: .	DATE: .
DWG. NO. A-F004-MS-02	SCALE: .	DESC: .	
DATE: 10/31/22	DRAWN BY: MAP	CHK BY: .	. .

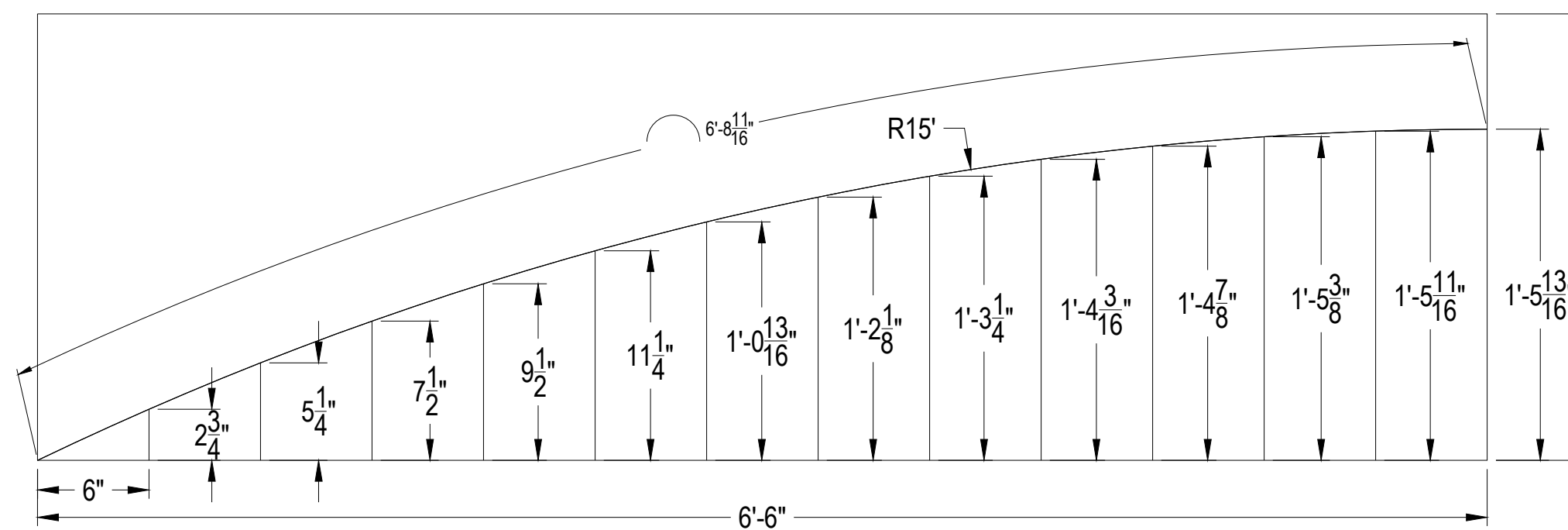
CURVED DETAILS



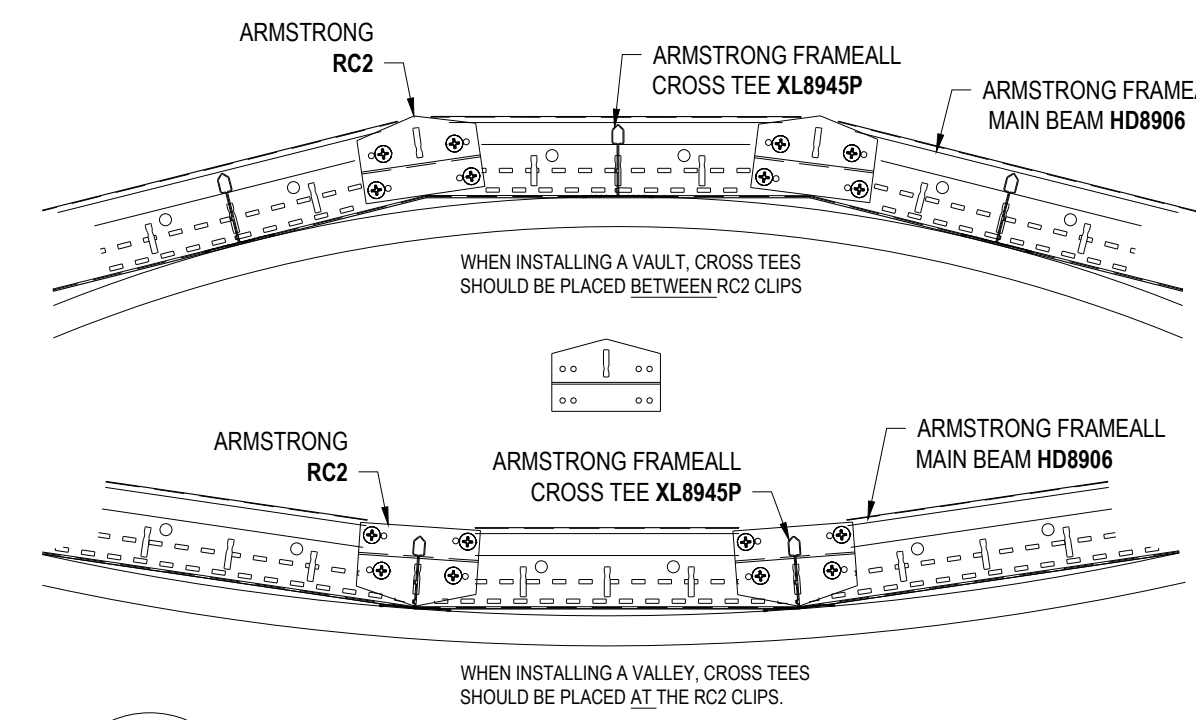
DD-20 DRYWALL DOME RCP



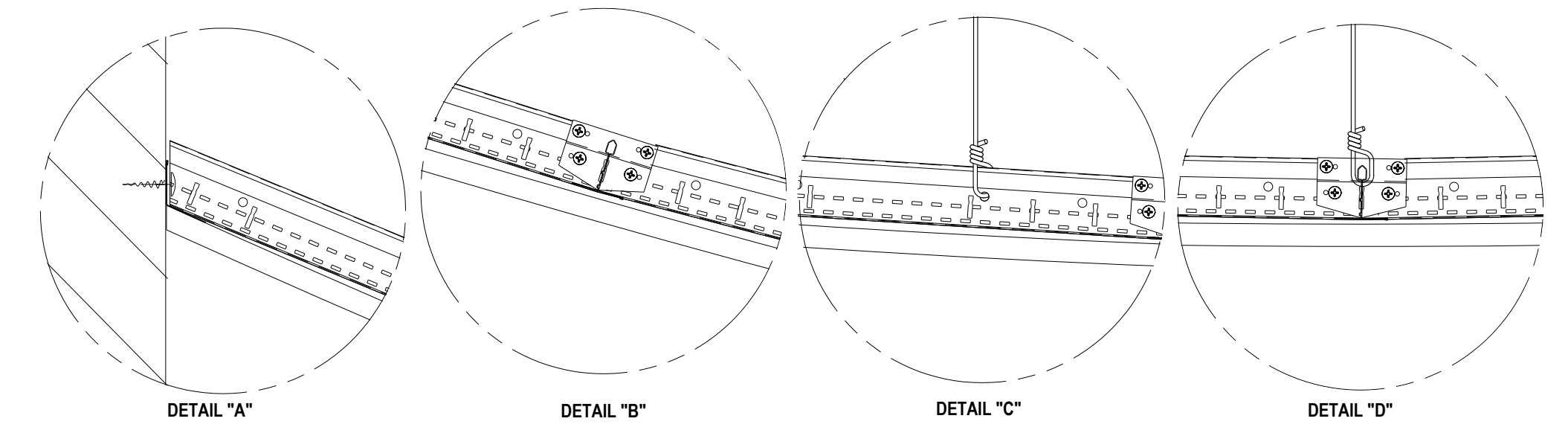
DD-21 DRYWALL BARREL VAULT



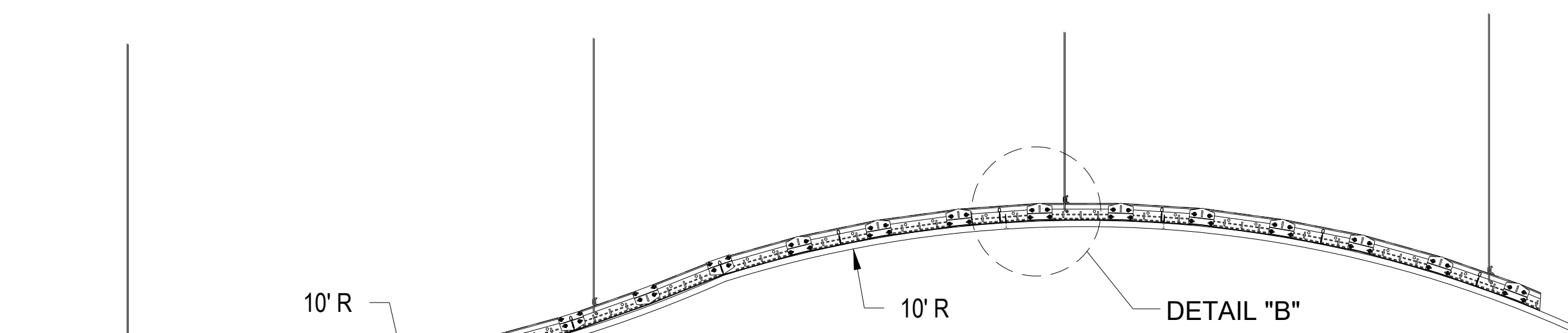
DD-22 CURVED DRYWALL TEMPLATE



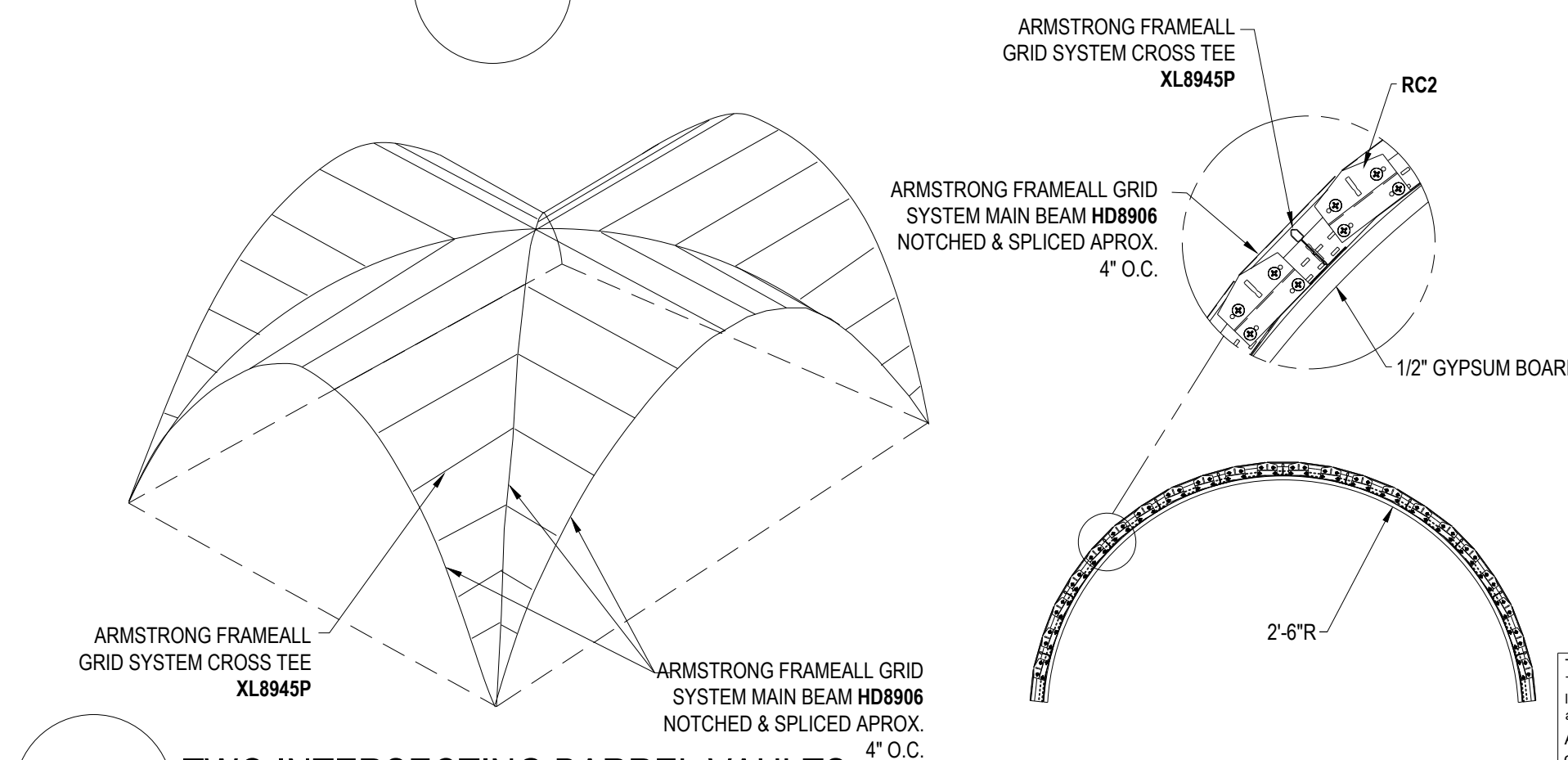
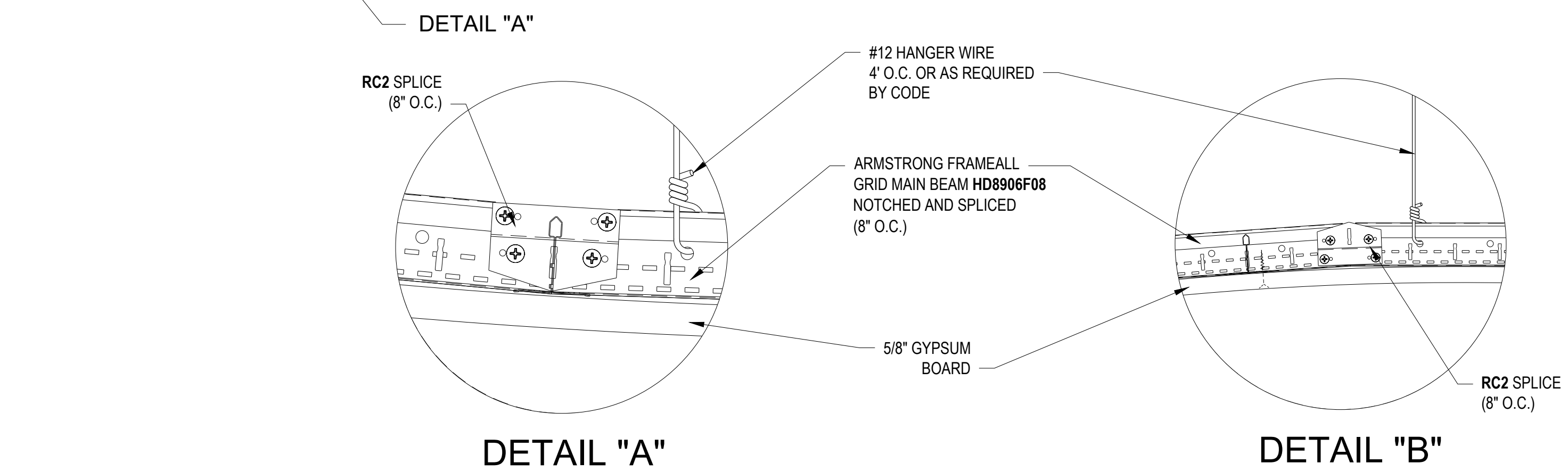
DD-23 ITEM RC2 RADIUS CLIP



DD-24 REVERSE DRYWALL DOME



DD-25 DRYWALL SERPENTINED CLOUD



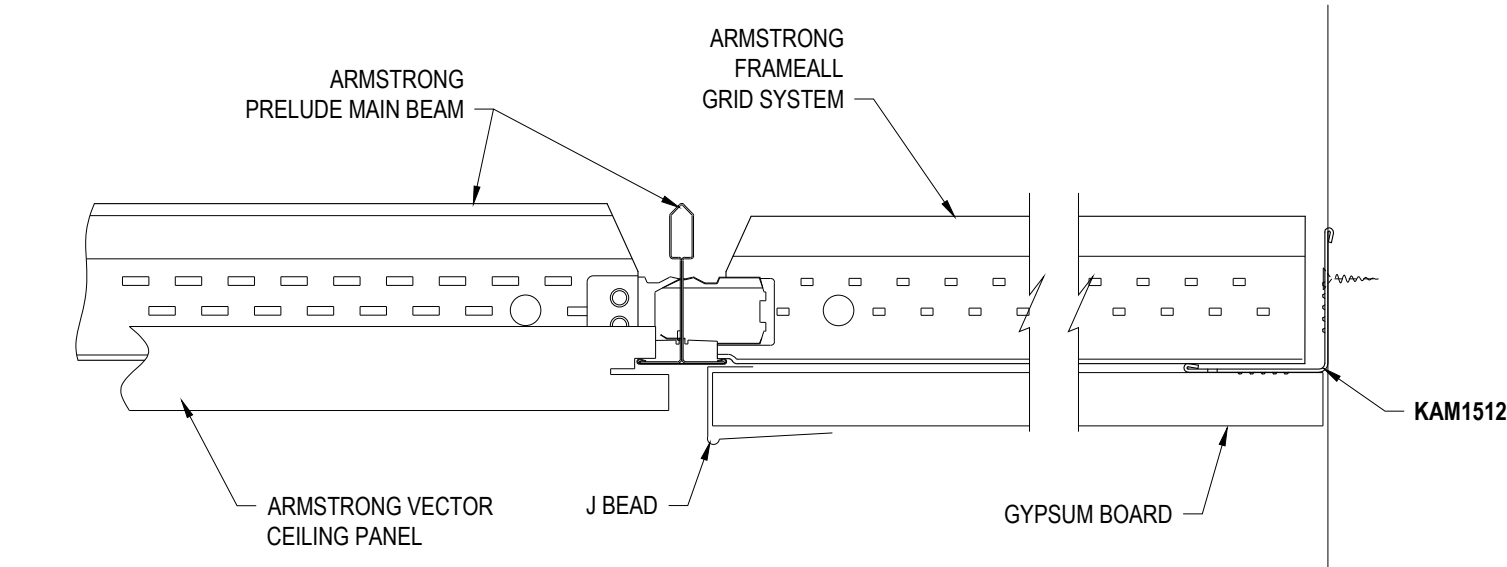
DD-26 TWO INTERSECTING BARREL VAULTS

These drawings show typical conditions in which the Armstrong® product depicted is installed. They are not a substitute for an architect's or engineer's plan and do not reflect the unique requirements of local building codes, laws, statutes, ordinances, rules and regulations (Legal Requirements) that may be applicable for a particular installation.

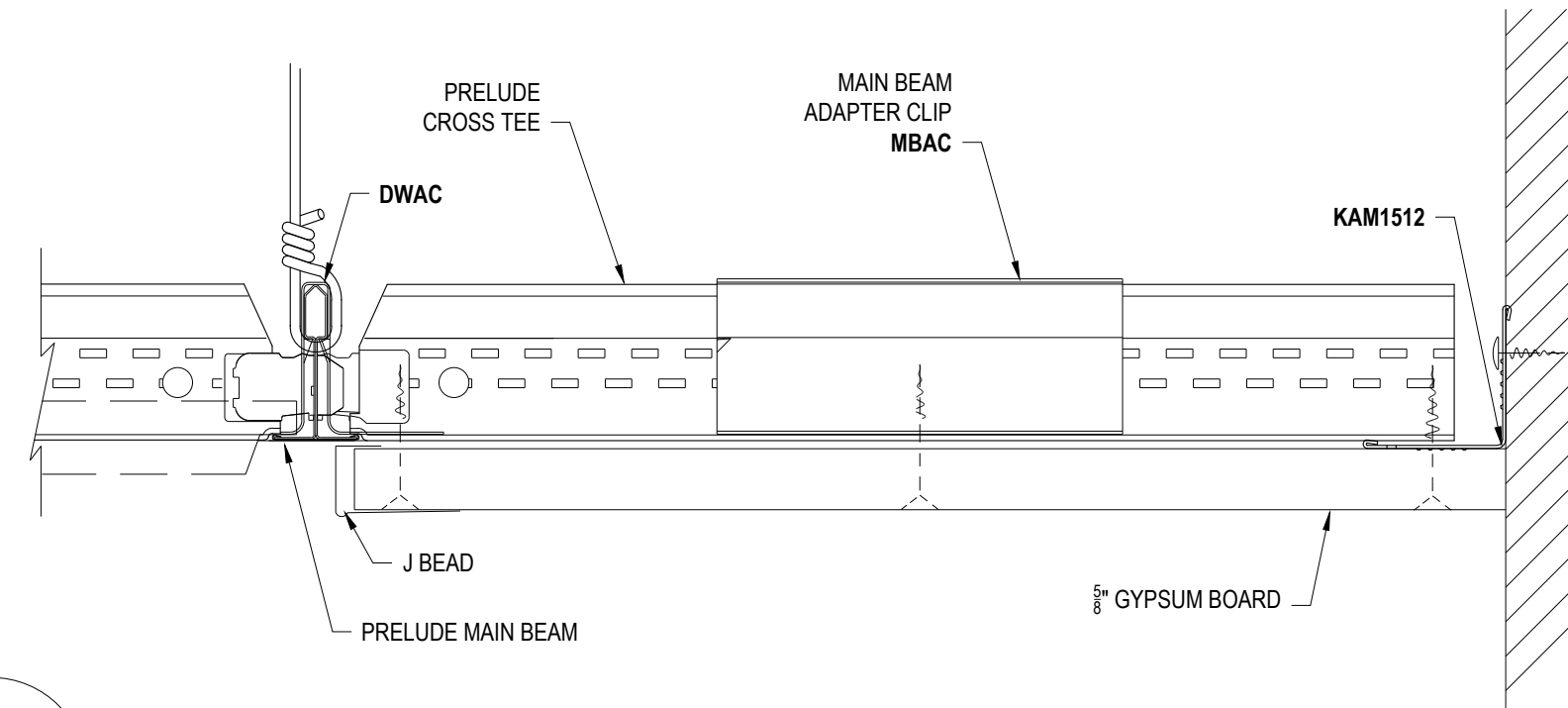
Armstrong Ceiling Solutions does not warrant, and assumes no liability for the accuracy or completeness of the drawings for a particular installation or their fitness for a particular purpose. The user is advised to consult with a duly licensed architect or engineer in the particular locale of the installation to assure compliance with all legal requirements. Armstrong is not licensed to provide professional architecture or engineering design services.

PROJECT NAME: FRAMEALL GRID SYSTEM MASTER SHEET		REV: .	DATE: .
DWG. NO. A-F004-MS-03	SCALE: .	DESC: .	
DATE: 7/5/23	DRAWN BY: MAP	CHK BY: .	

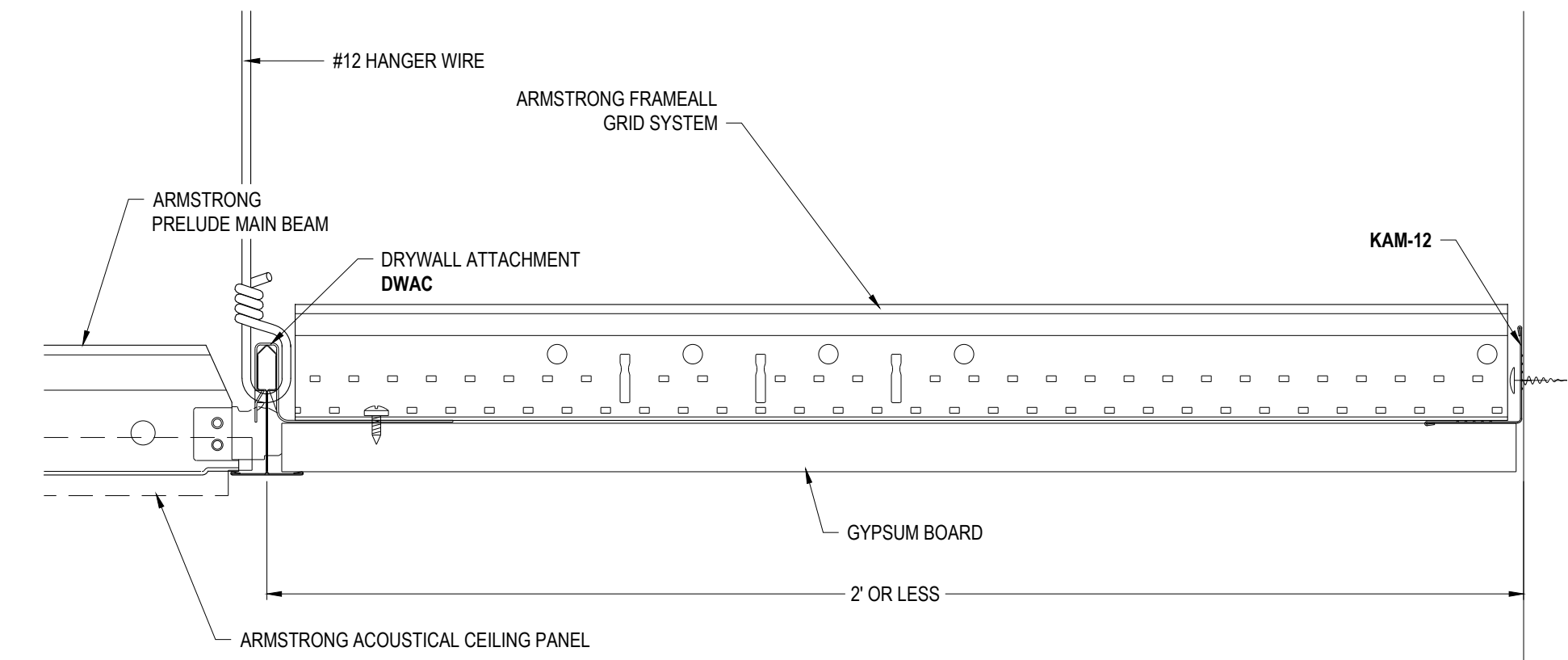
INTEGRATED DETAILS



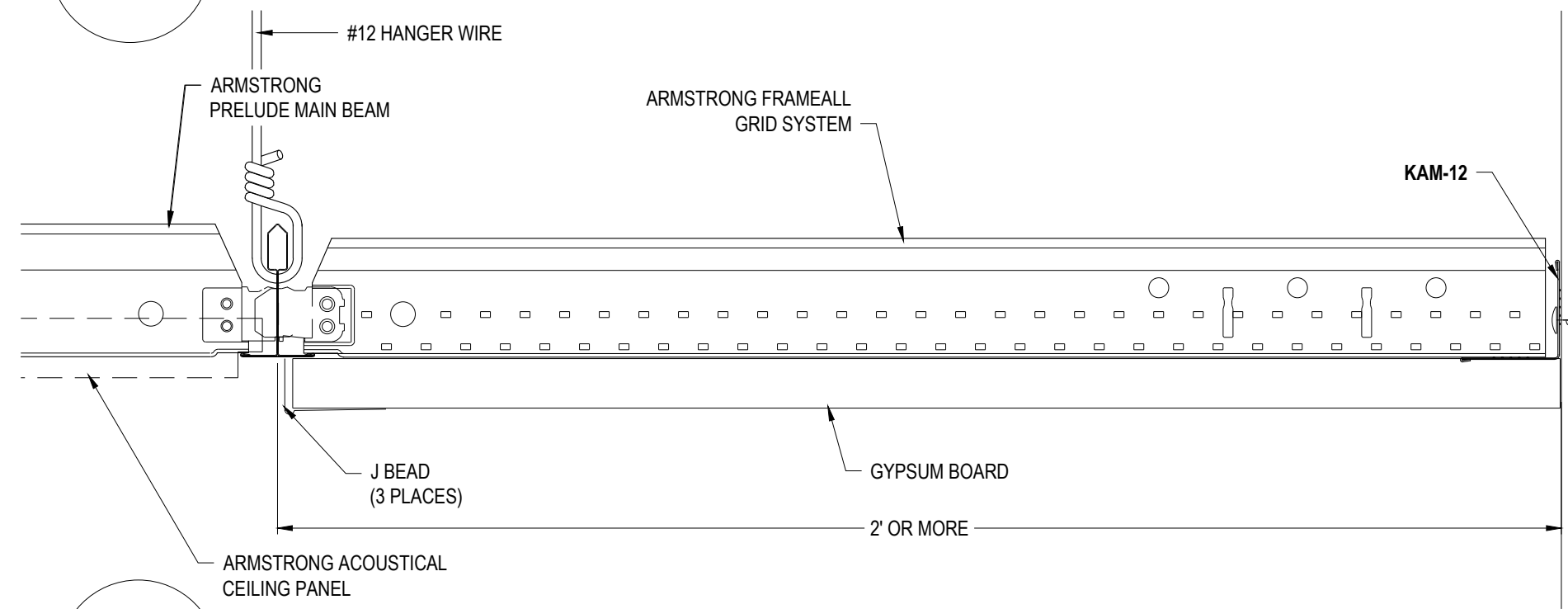
DD-27 FLUSH DRYWALL PERIMETER WITH VECTOR PANEL



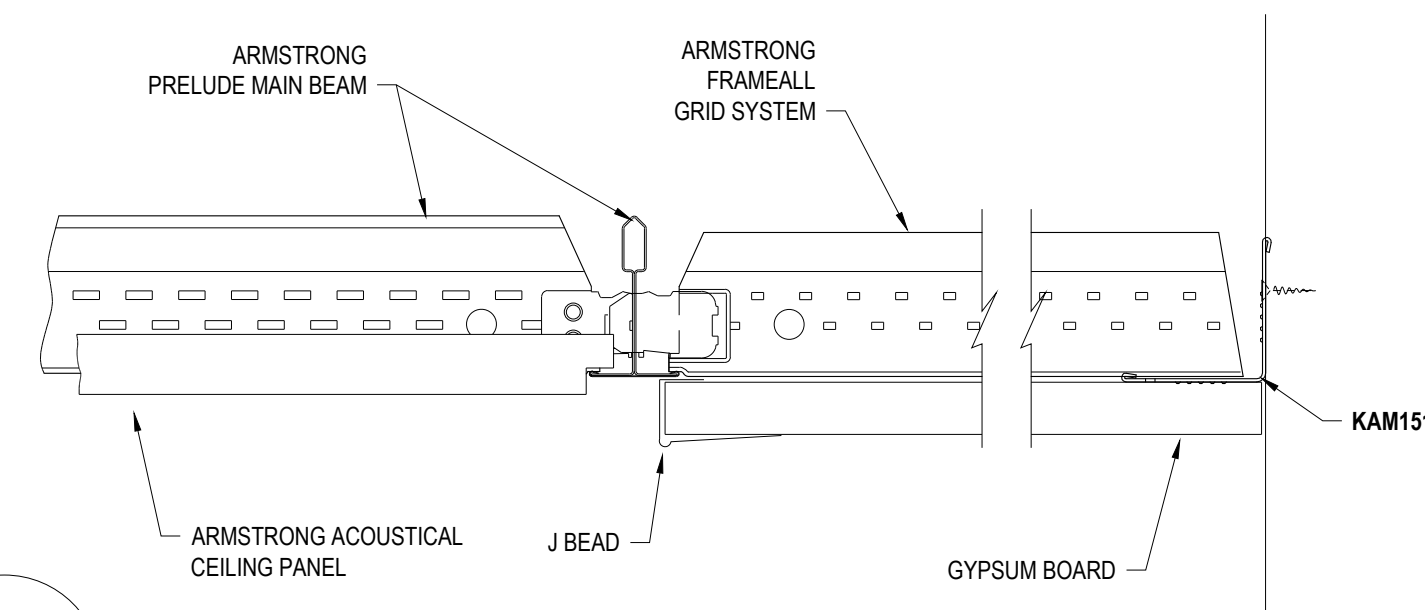
DD-28 DRYWALL PERIMETER ACOUSTICAL TO DRYWALL SURROUND



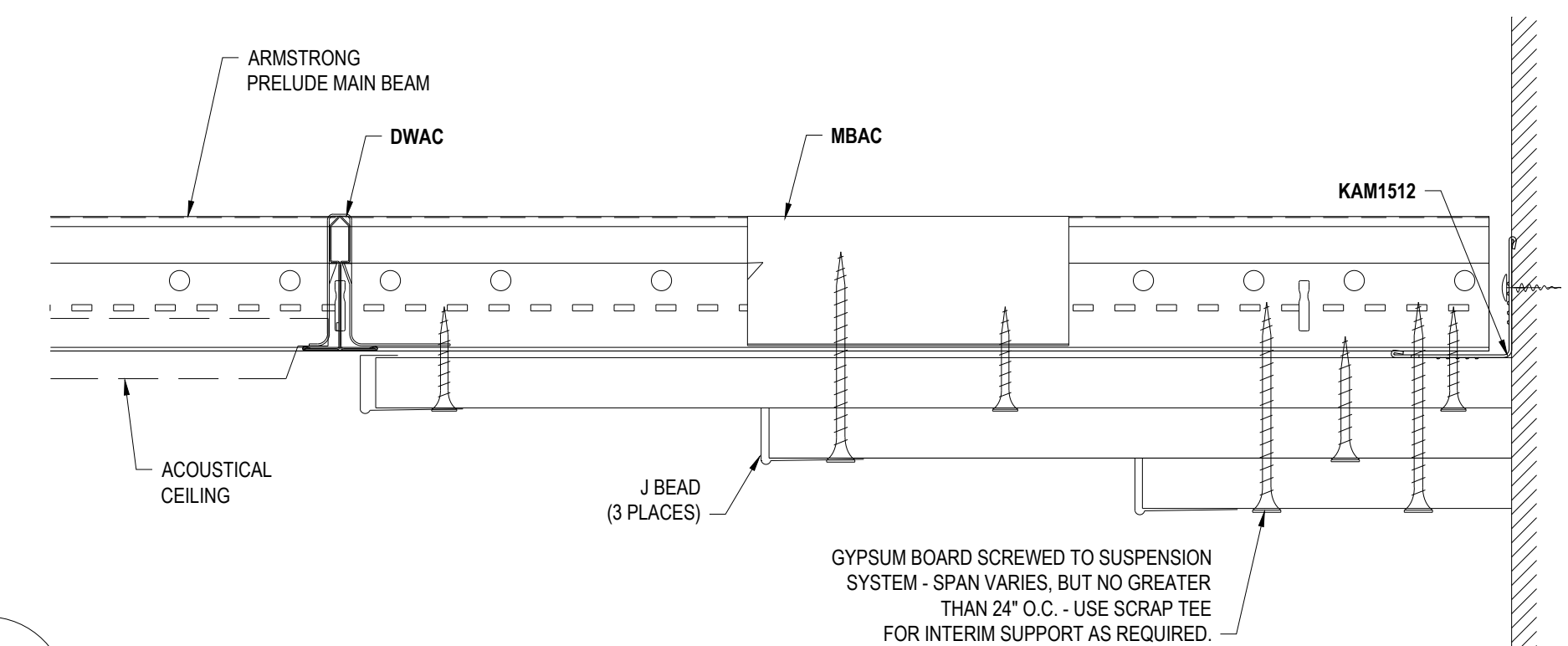
DD-29 DRYWALL PERIMETER 2' WIDE OR LESS



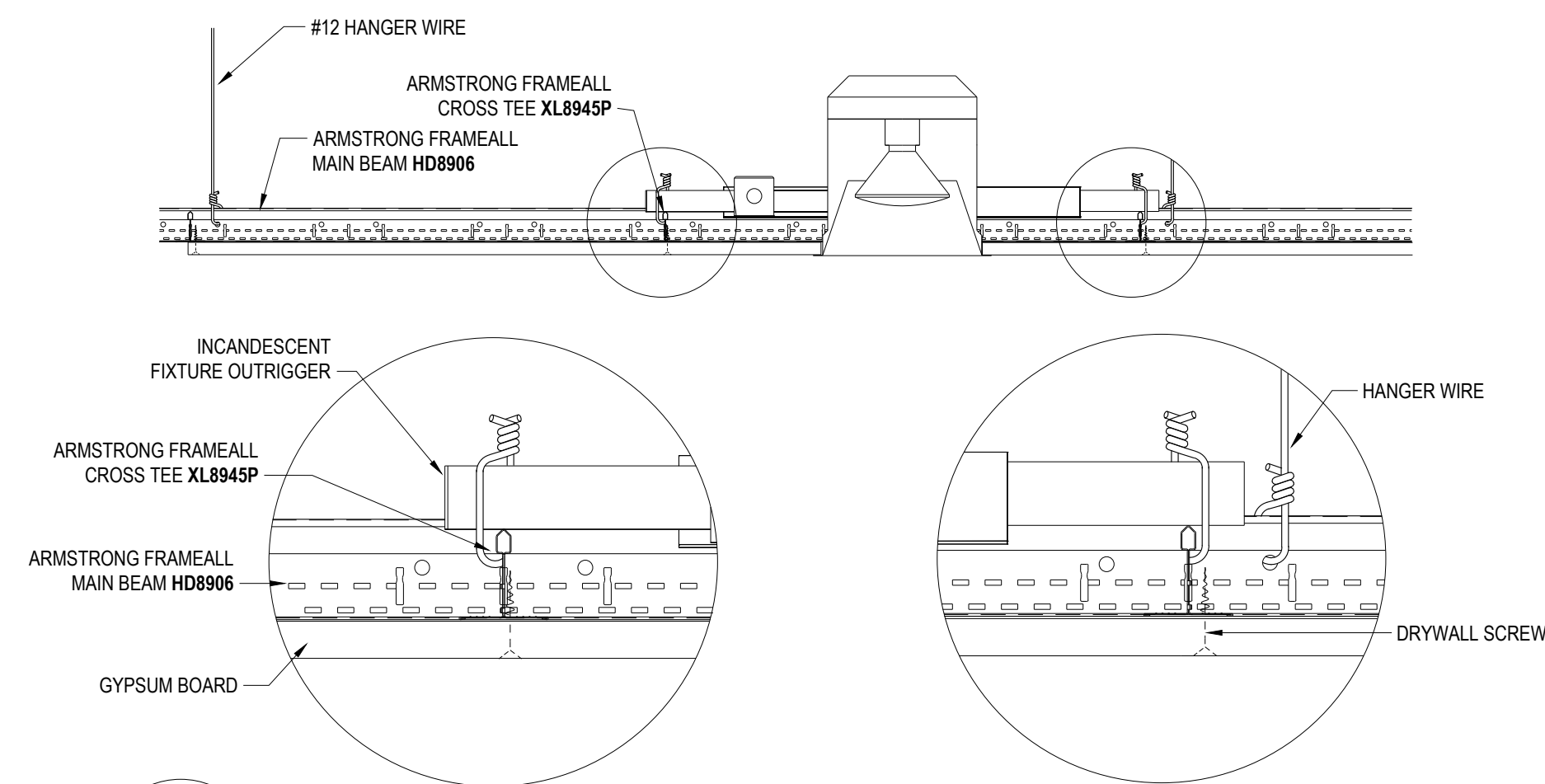
DD-30 DRYWALL PERIMETER 2' WIDE OR MORE



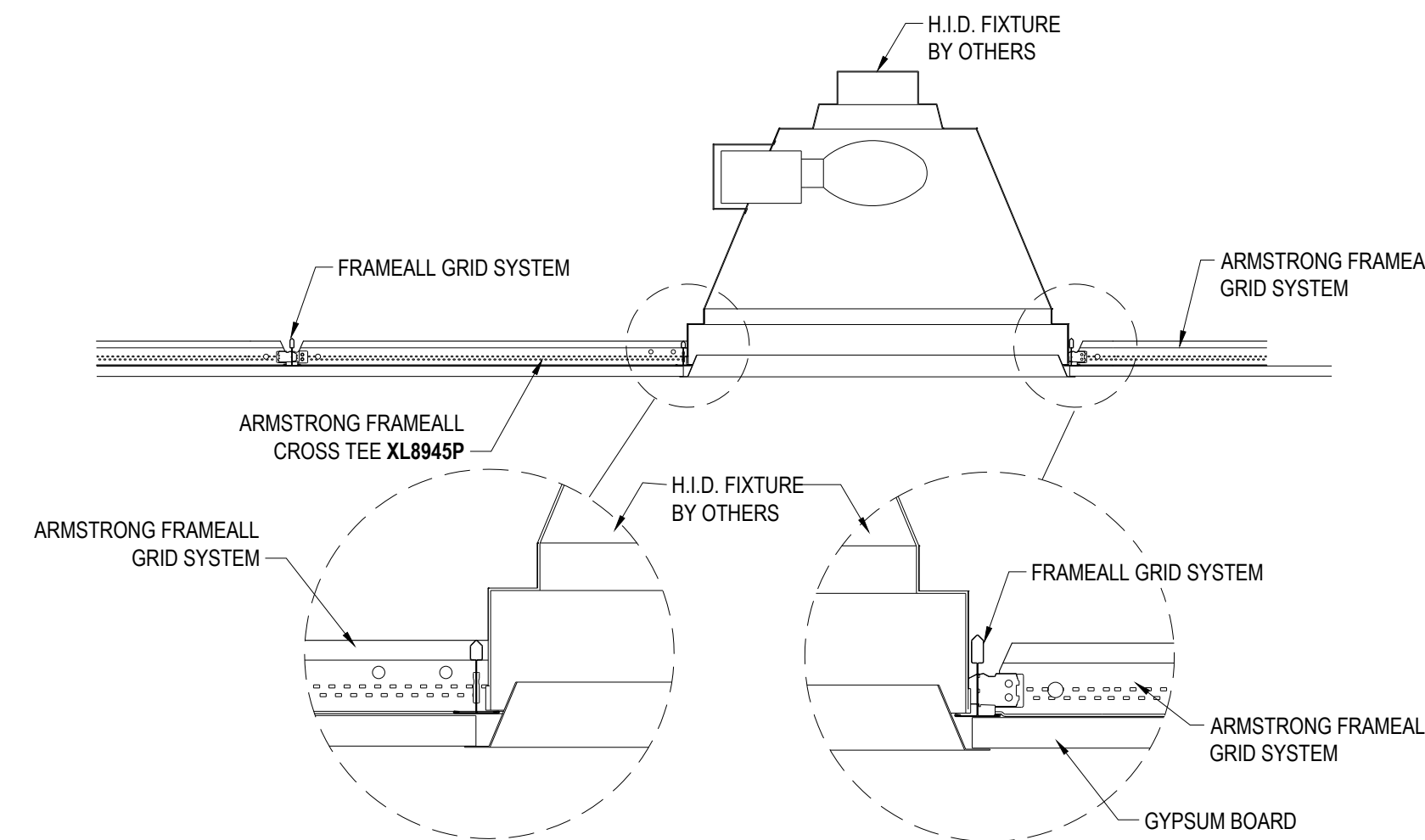
DD-31 FLUSH DRYWALL PERIMETER WITH TEGULAR PANEL



DD-32 STEPPED DRYWALL PERIMETER TO ACOUSTICAL CEILING



DD-33 HIGH HAT FIXTURE IN DRYWALL CEILING



DD-34 HID FIXTURE IN DRYWALL CEILING

These drawings show typical conditions in which the Armstrong® product depicted is installed. They are not a substitute for an architect's or engineer's plan and do not reflect the unique requirements of local building codes, laws, statutes, ordinances, rules and regulations (Legal Requirements) that may be applicable for a particular installation. Armstrong Ceiling Solutions does not warrant, and assumes no liability for the accuracy or completeness of the drawings for a particular installation or their fitness for a particular purpose. The user is advised to consult with a duly licensed architect or engineer in the particular locale of the installation to assure compliance with all Legal Requirements. Armstrong is not licensed to provide professional architecture or engineering design services.

PROJECT NAME: FRAMEALL GRID SYSTEM MASTER SHEET

DWG. NO. A-F004-MS-04

DATE: 10/31/22

DRAWN BY: MAP

REV: .

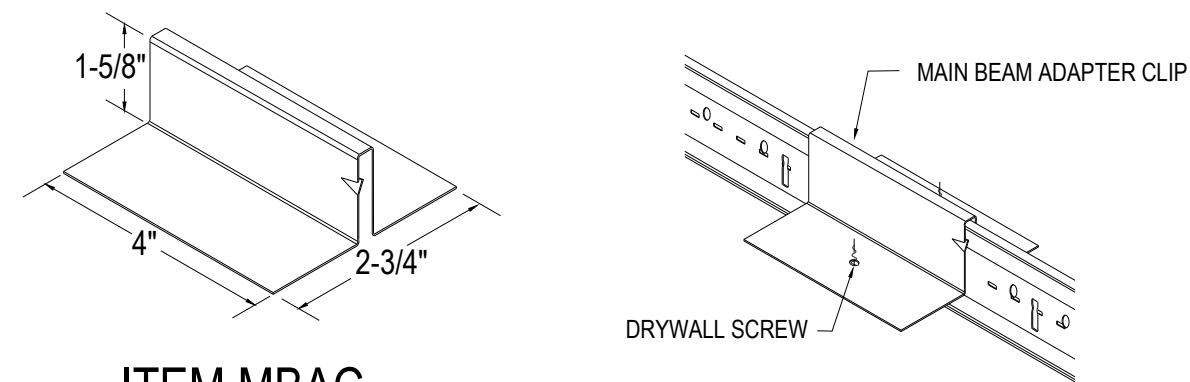
SCALE: .

CHK BY: .

DATE: .

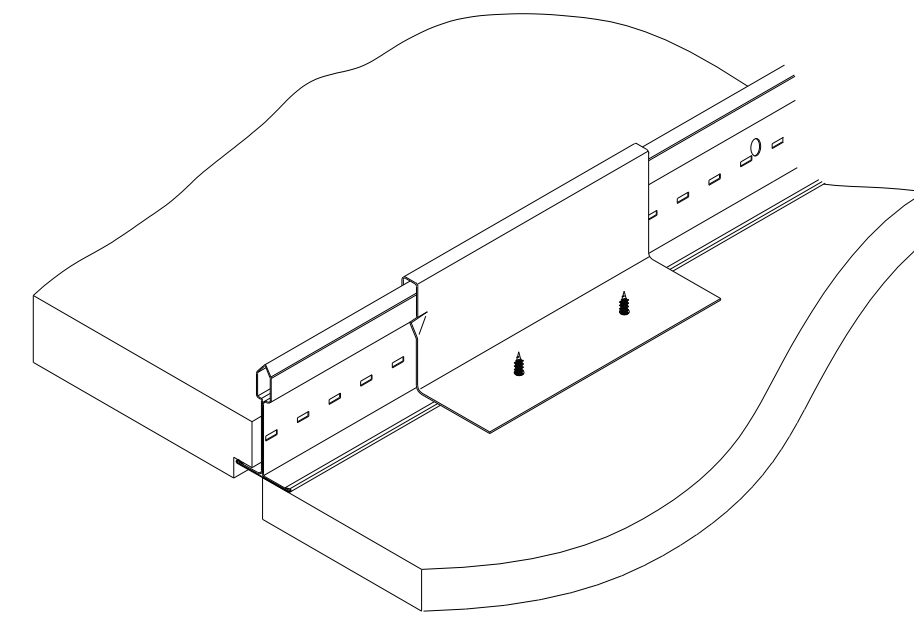
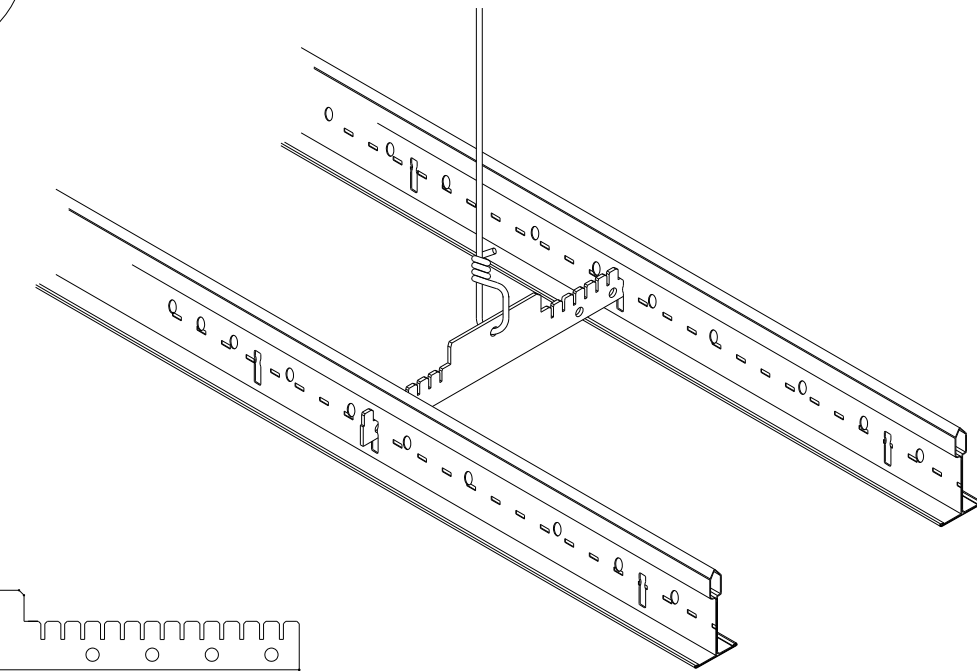
DESC: .

DRYWALL ACCESSORIES

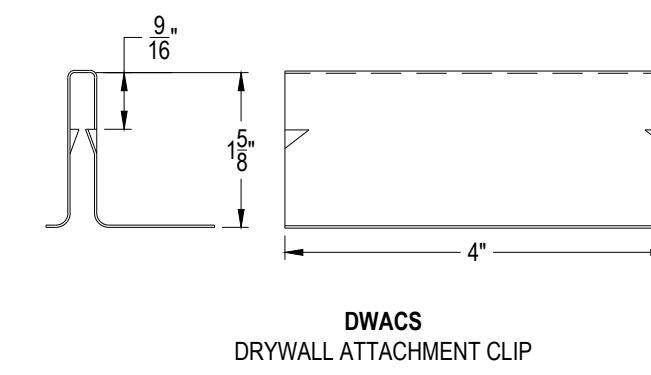


ITEM MBAC
MAIN BEAM ADAPTER CLIP

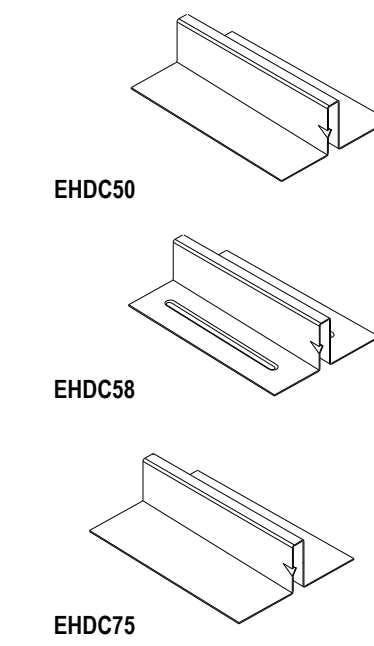
DD-35 ITEM MBAC DRYWALL ATTACHMENT CLIP



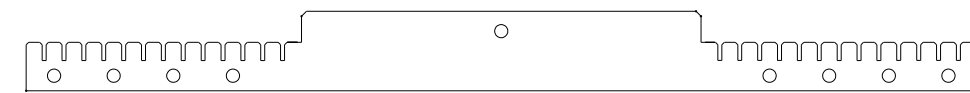
DD-36 DWACS DRYWALL ATTACHMENT CLIP



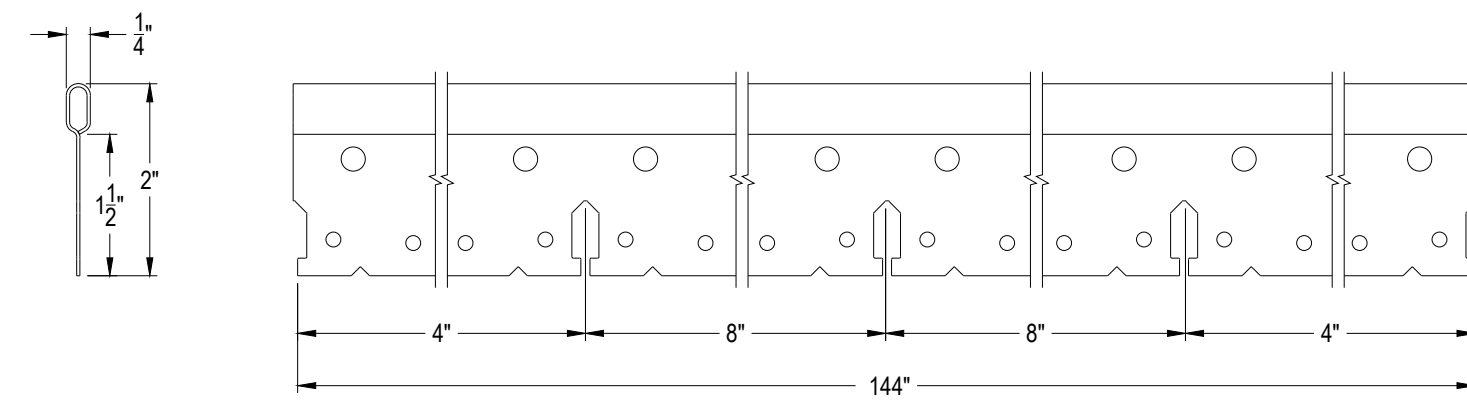
DWACS
DRYWALL ATTACHMENT CLIP



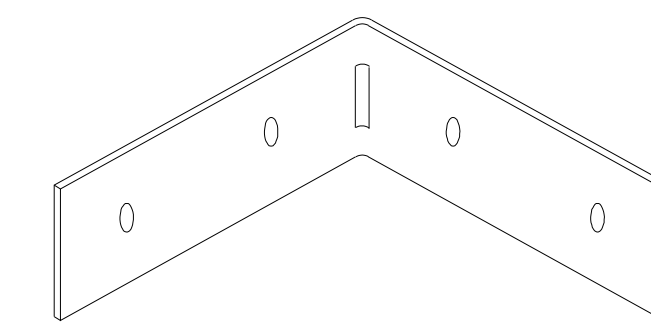
DD-37 EXTERIOR HOLD DOWN CLIP



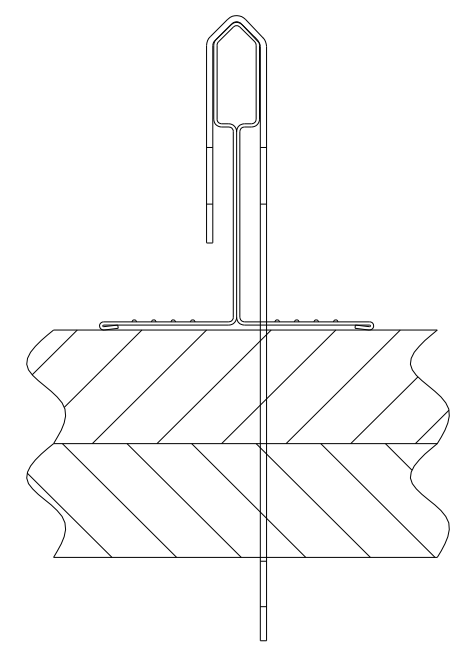
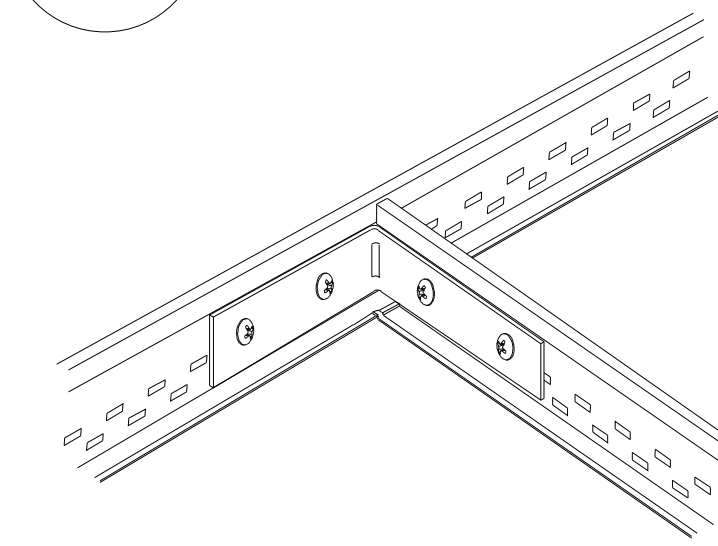
DD-38 ITEM GSC9, GSC12 AND GSC16
ADJUSTABLE GRID SPACER CLIP



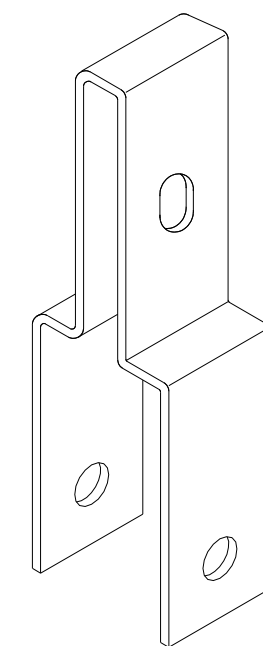
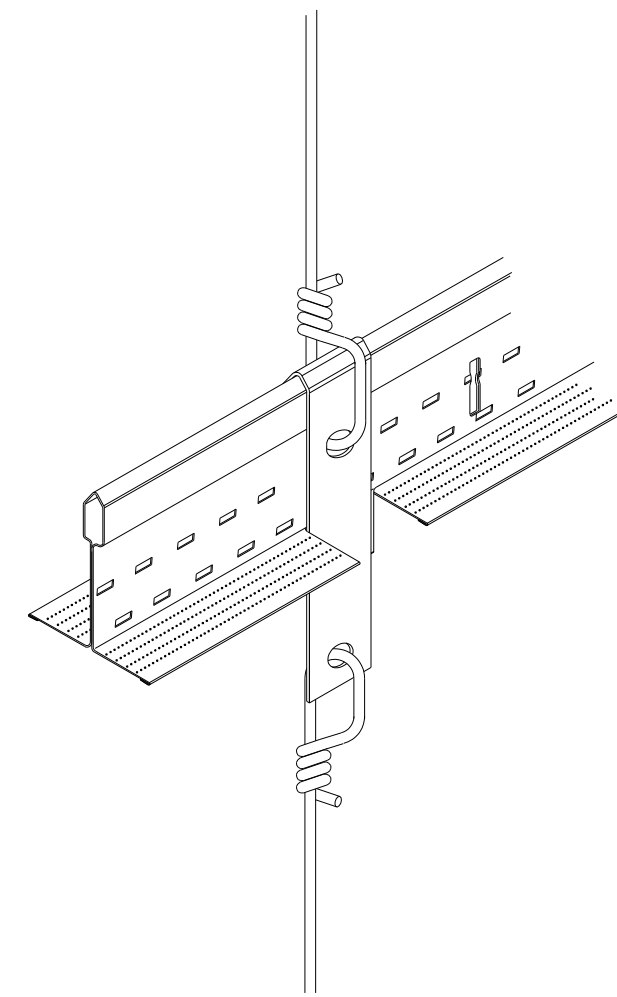
DD-39 SB12P
STRONGBACK



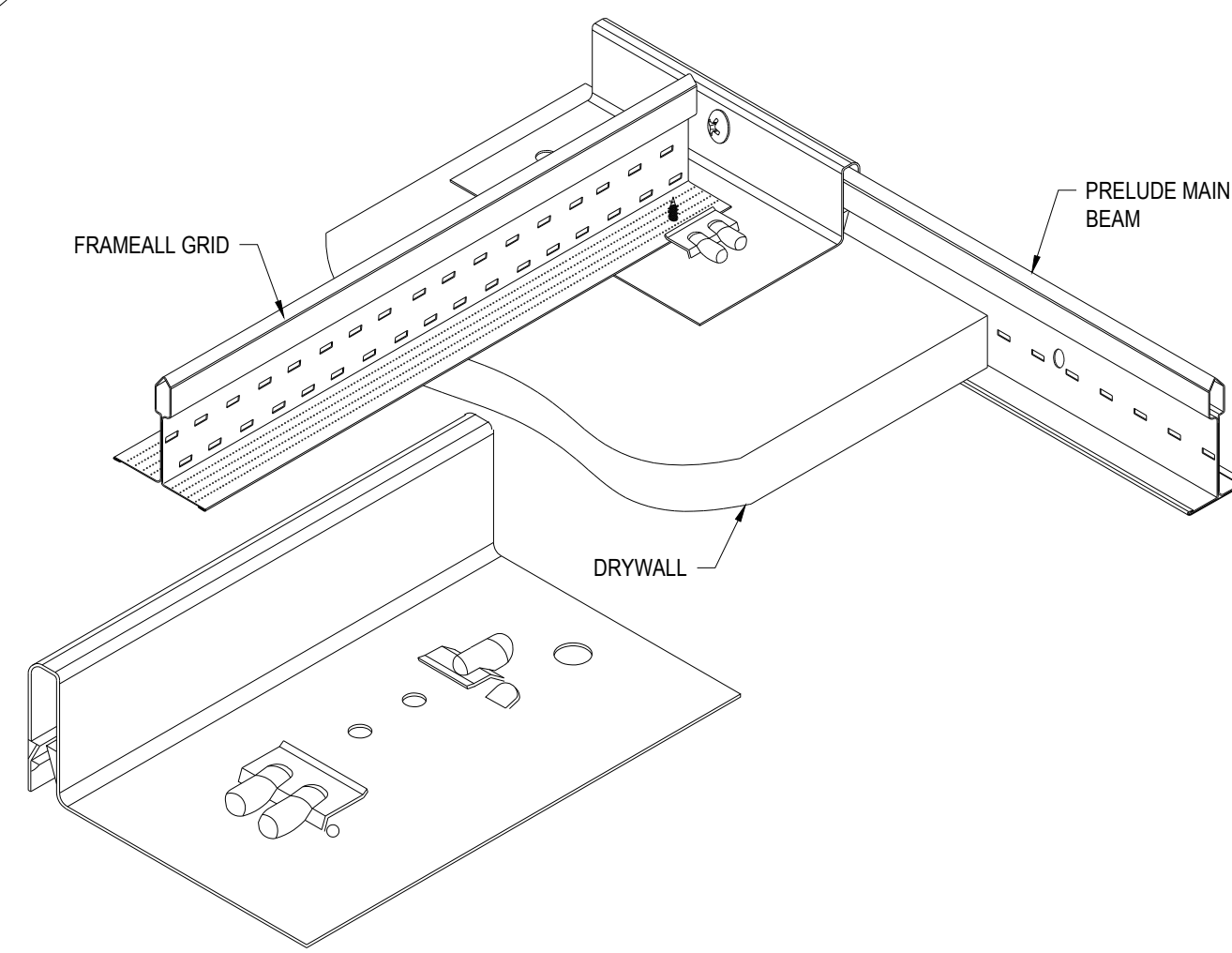
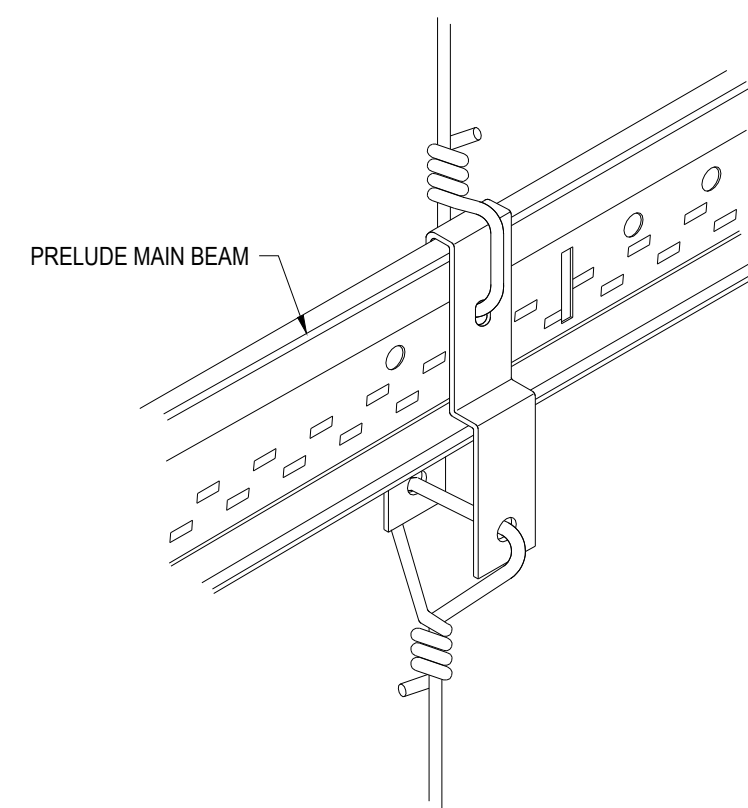
DD-40 ITEM XTAC CROSS TEE ADAPTER CLIP



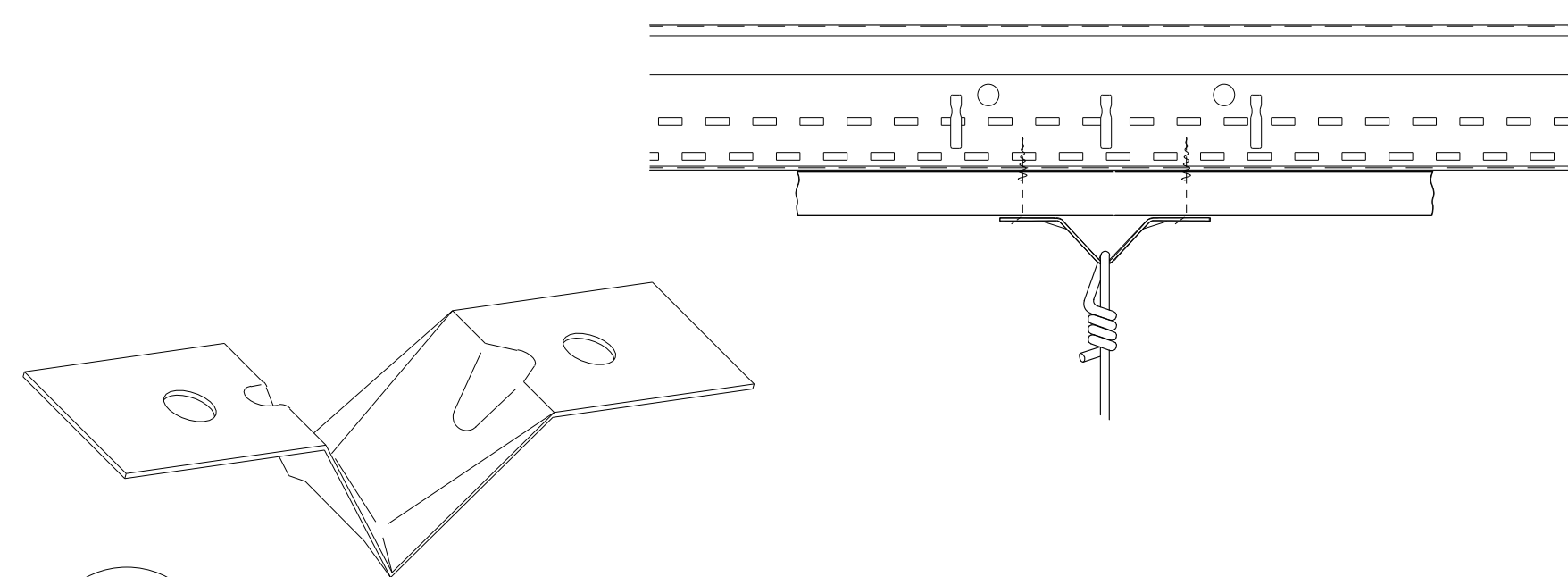
DD-41 DDC DOUBLE DRYWALL CLIP



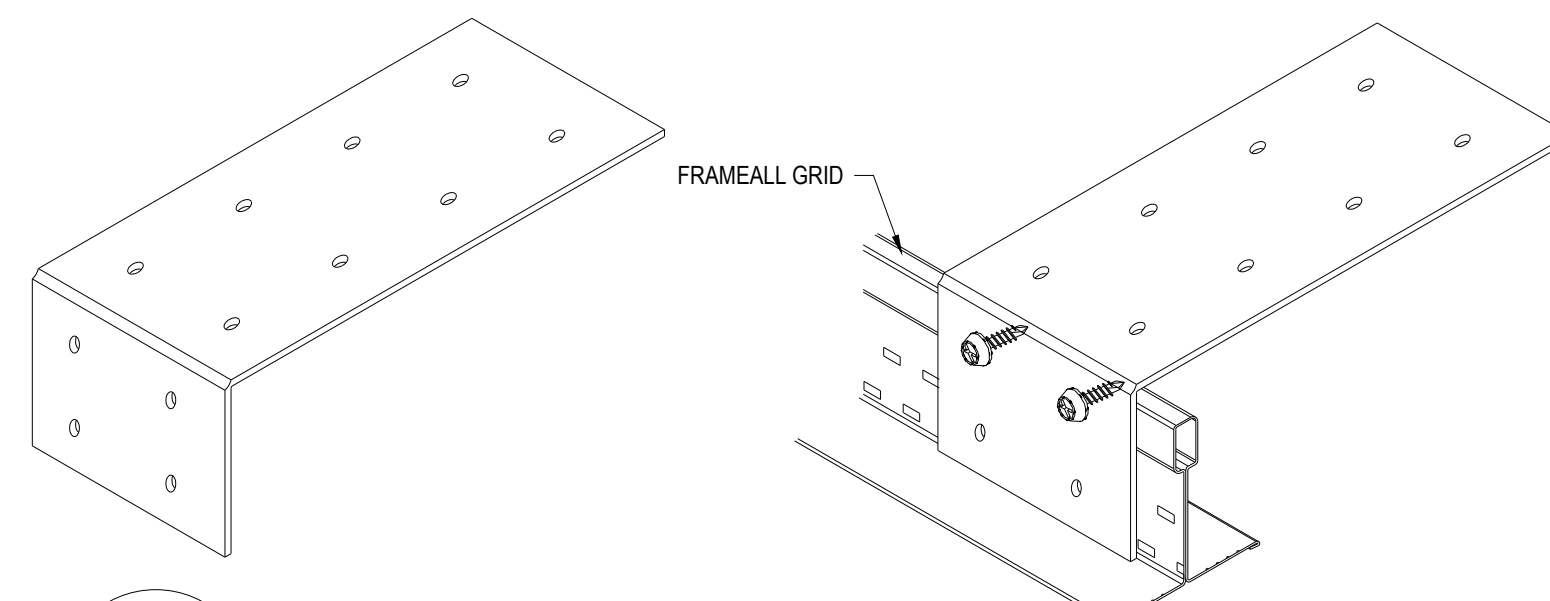
DD-42 ITEM DLCC DIRECT LOAD CEILING CLIP



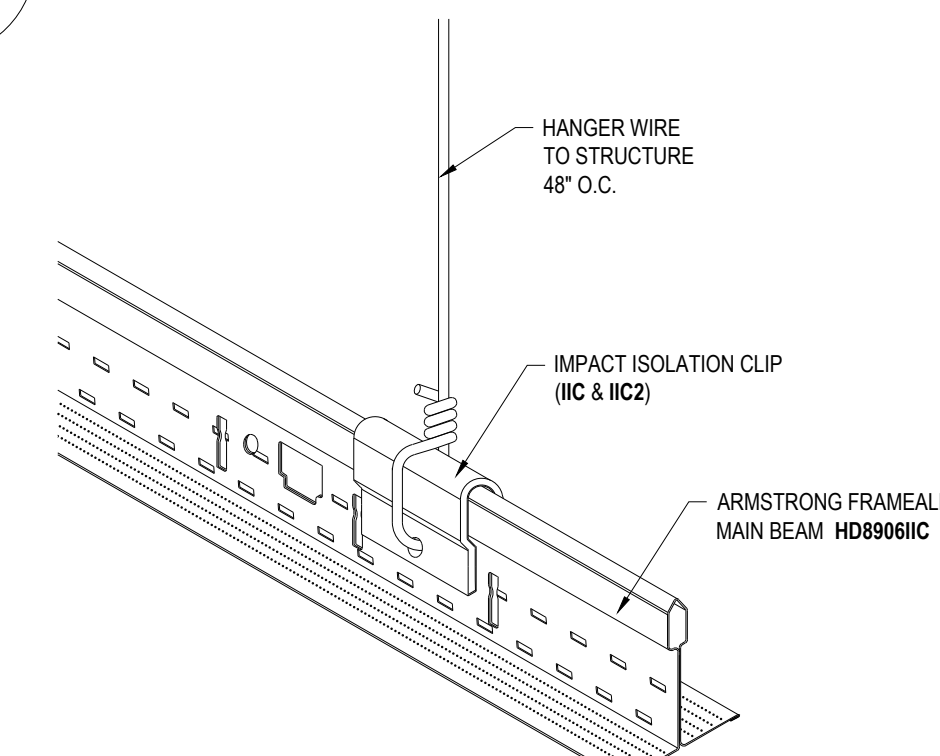
DD-43 ITEM DW58LT AND DW50LT DRYWALL TRANSITION CLIP WITH LOCKING TABS



DD-44 ITEM DWC DRYWALL CLIP



DD-45 ITEM QSUTC QUIKSTIX UPTIGHT CLIP



DD-46 IMPACT ISOLATION CLIP APPLICATION

These drawings show typical conditions in which the Armstrong® product depicted is installed. They are not a substitute for an architect's or engineer's plan and do not reflect the unique requirements of local building codes, laws, statutes, ordinances, rules and regulations (Legal Requirements) that may be applicable for a particular installation.

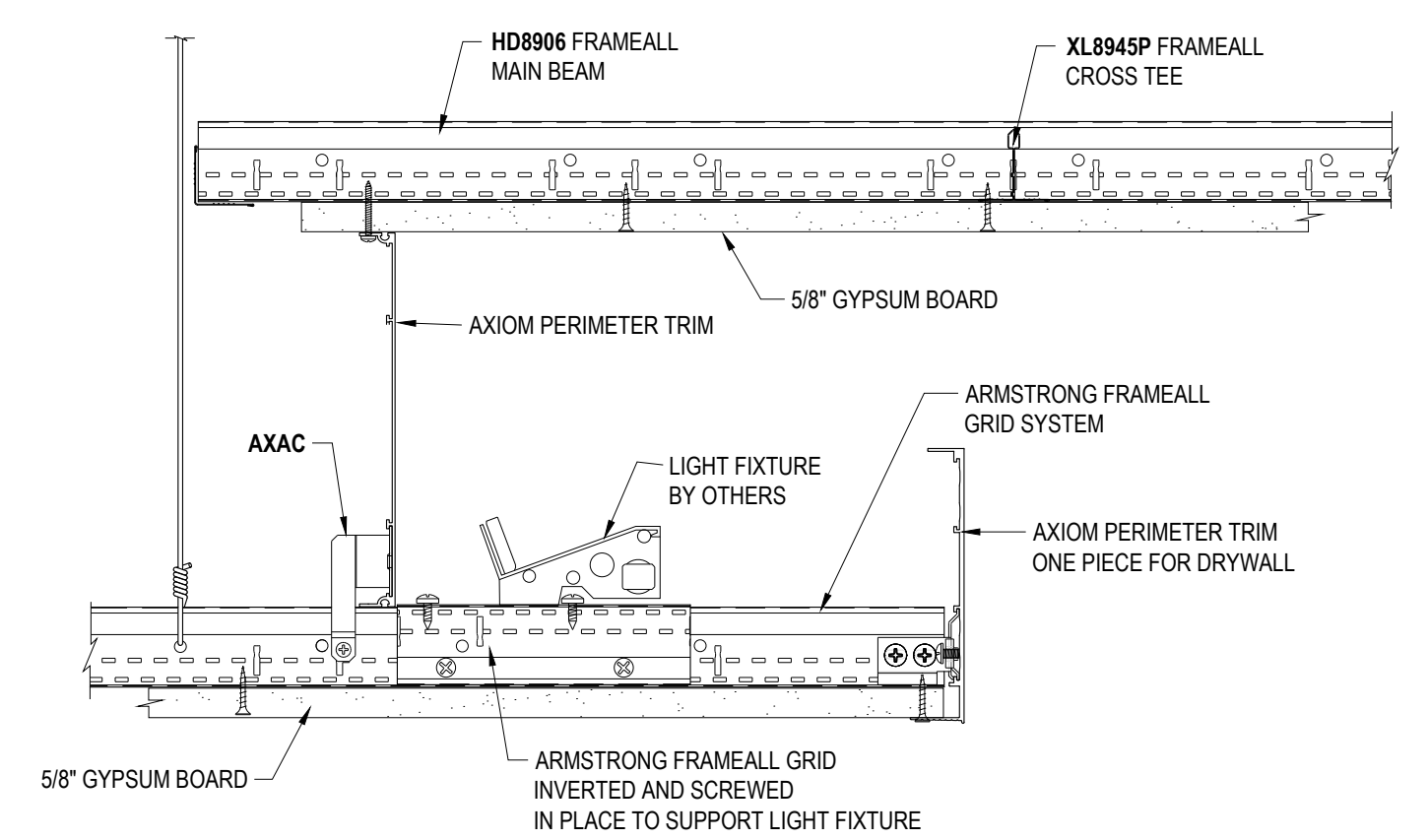
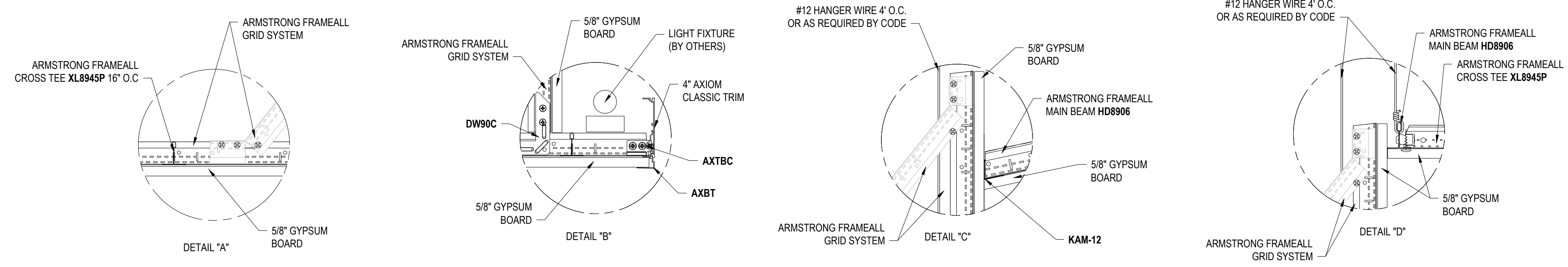
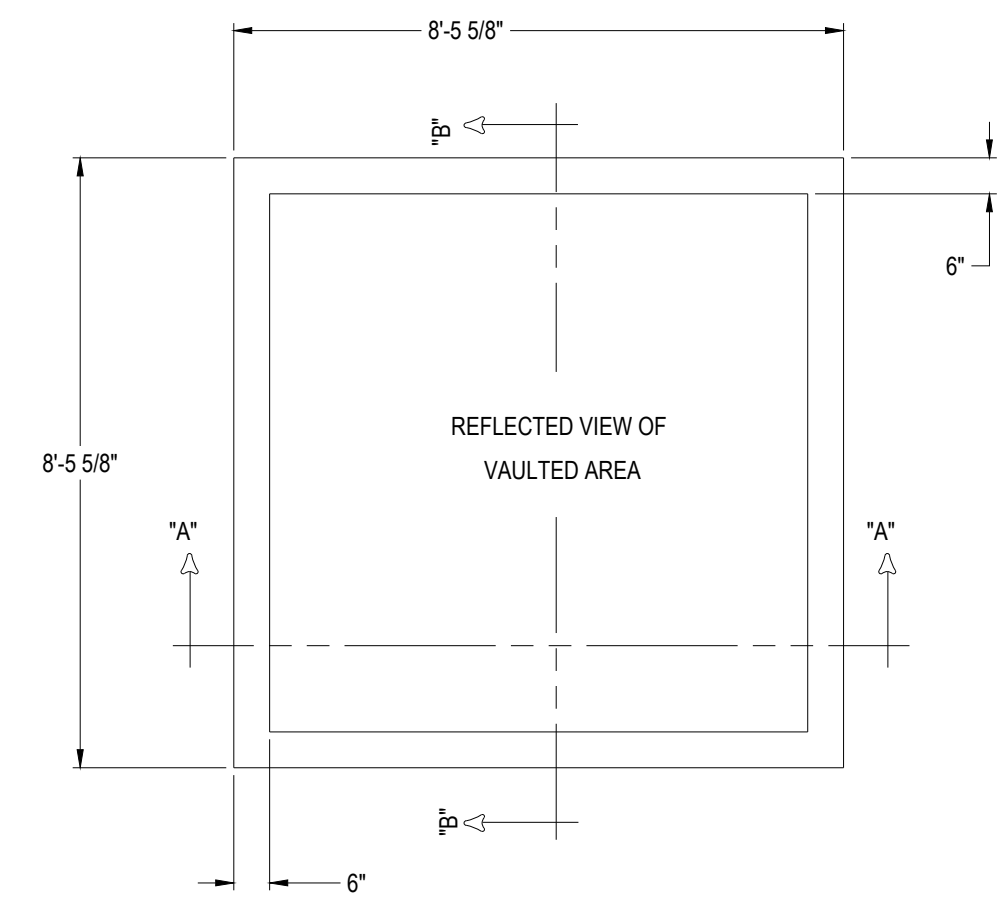
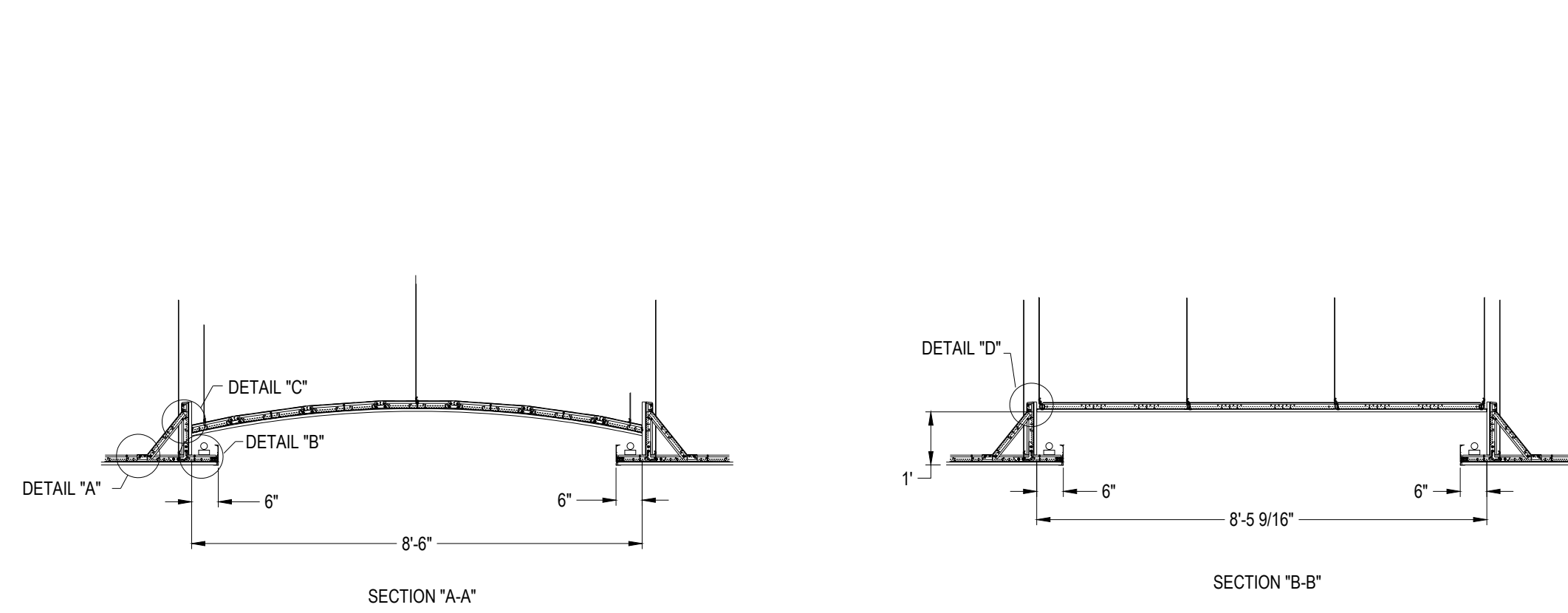
Armstrong Ceiling Solutions does not warrant, and assumes no liability for the accuracy or completeness of the drawings for a particular installation or their fitness for a particular purpose.

The user is advised to consult with a duly licensed architect or engineer in the particular locale of the installation to assure compliance with all Legal Requirements.

Armstrong is not licensed to provide professional architecture or engineering design services.

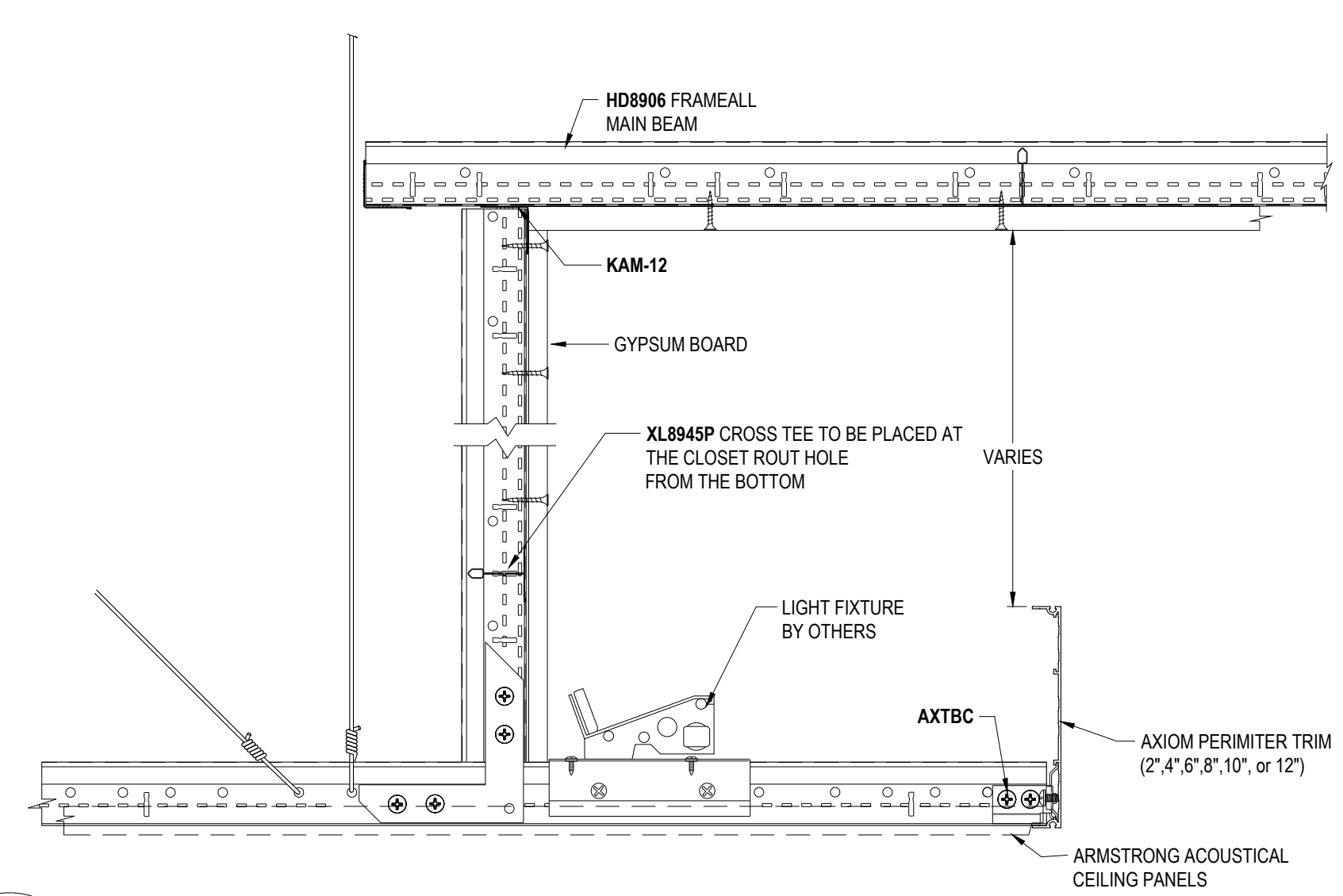
PROJECT NAME: FRAMEALL GRID SYSTEM MASTER SHEET		REV: .	DATE: .
DWG. NO. A-F004-MS-05	SCALE: .	DESC: .	
DATE: 11/1/22	DRAWN BY: MAP	CHK BY: .	

LIGHT COVE DETAILS

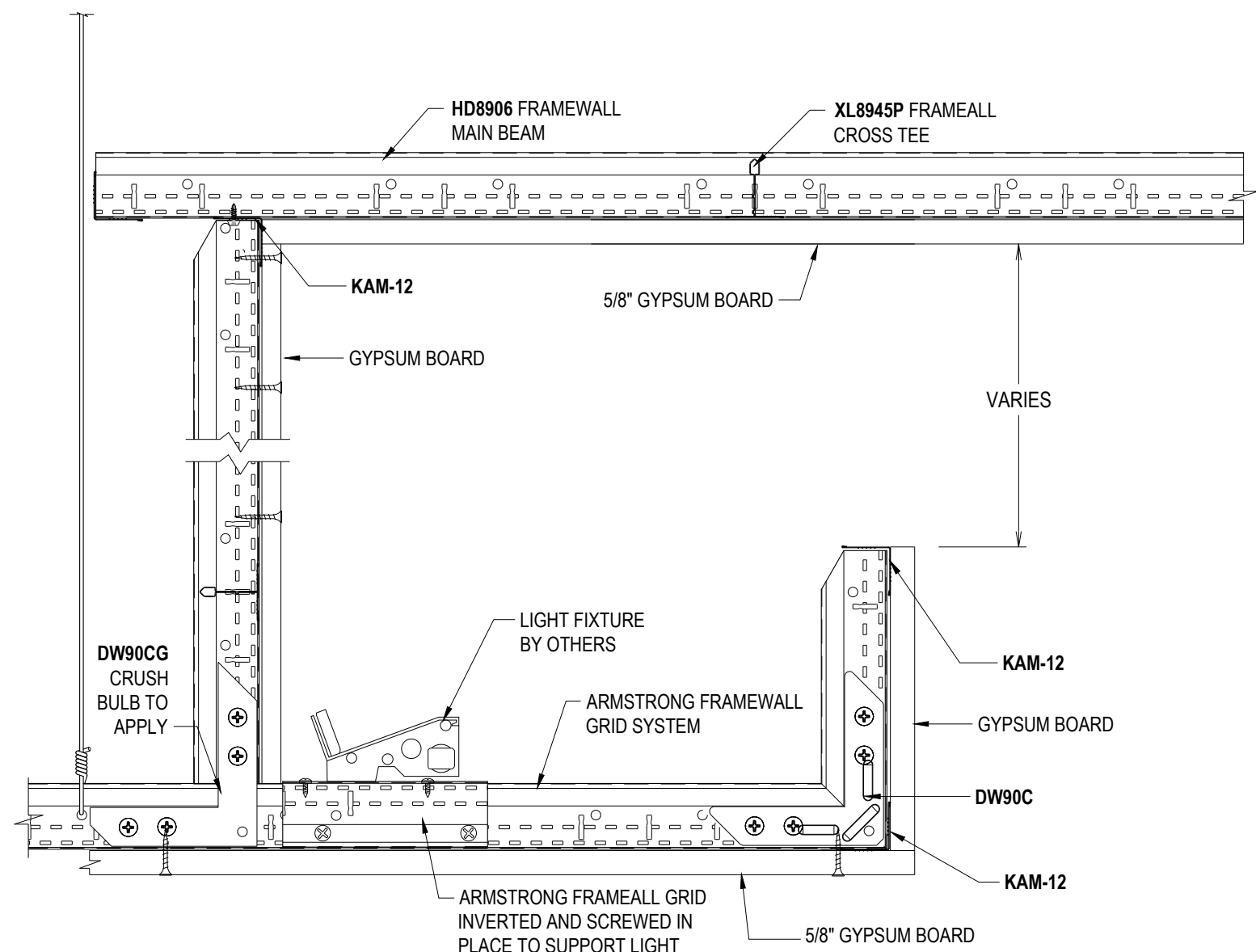


DD-48 AXIOM LIGHT COVE DRYWALL TO DRYWALL

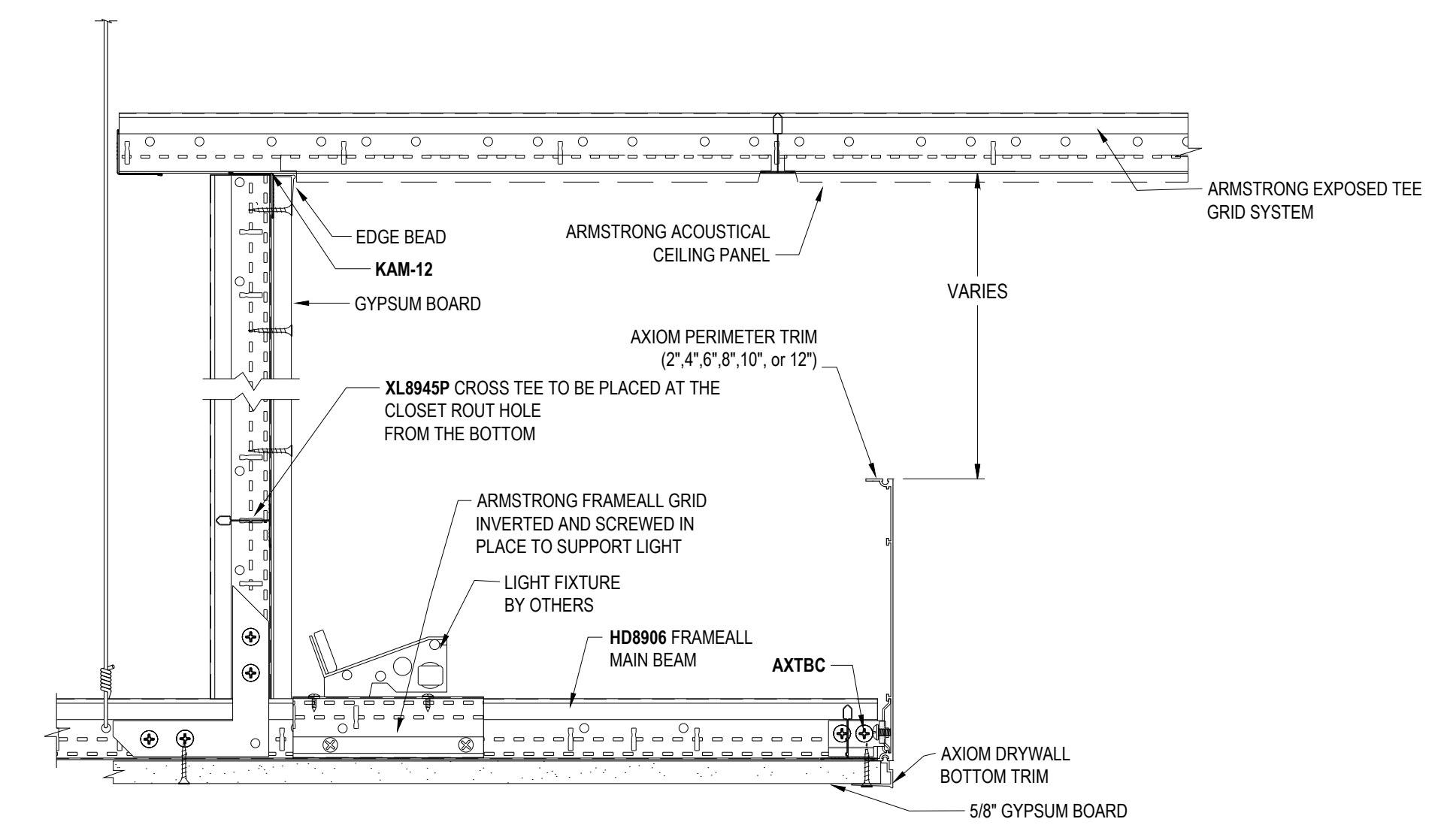
DD-47 DRYWALL BARREL AND LIGHT COVE



DD-49 AXIOM ACOUSTICAL LIGHT COVE WITH DRYWALL CEILING



DD-50 DRYWALL LIGHT COVE



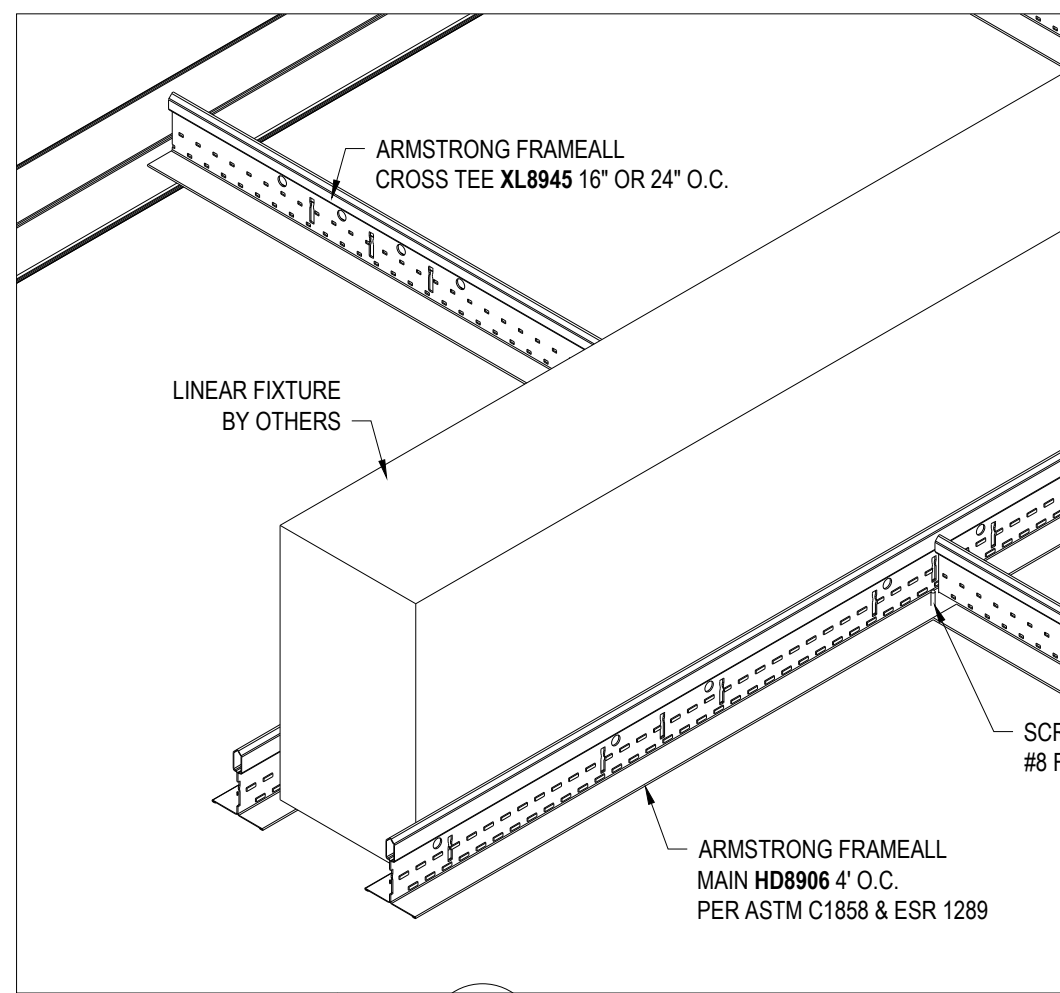
DD-51 AXIOM DRYWALL LIGHT COVE AND ACOUSTICAL CEILING USING DRYWALL GRID

These drawings show typical conditions in which the Armstrong® product depicted is installed. They are not a substitute for an architect's or engineer's plan and do not reflect the unique requirements of local building codes, laws, statutes, ordinances, rules and regulations (Legal Requirements) that may be applicable for a particular installation.

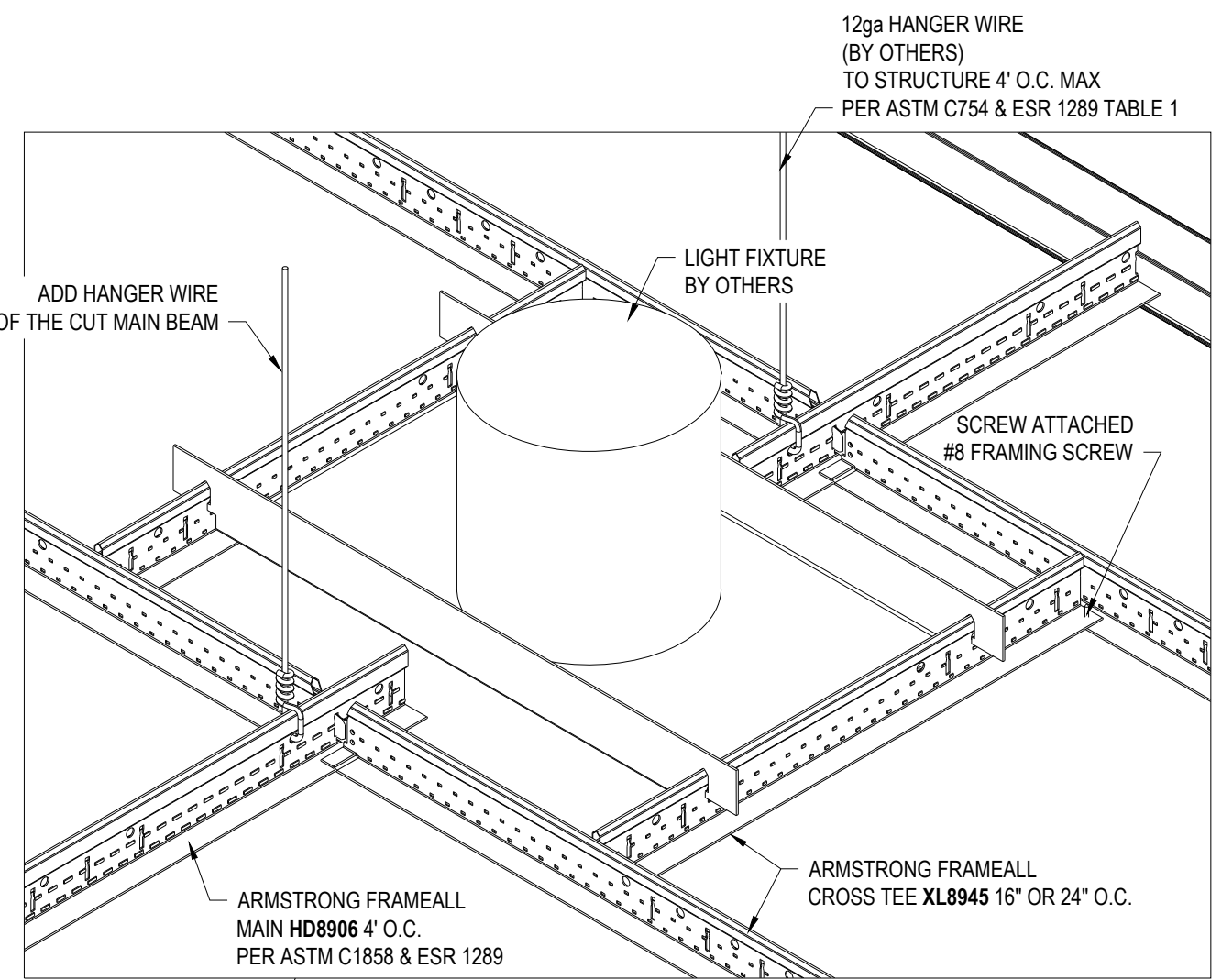
Armstrong Ceiling Solutions does not warrant, and assumes no liability for the accuracy or completeness of the drawings for a particular installation or their fitness for a particular purpose. The user is advised to consult with a duly licensed architect or engineer in the particular locale of the installation to assure compliance with all legal requirements. Armstrong is not licensed to provide professional architecture or engineering design services.

PROJECT NAME:	FRAMEALL GRID SYSTEM MASTER SHEET	
DWG. NO. A-F004-MS-06	SCALE: .	REV: . DATE: .
DATE: 9/28/23	DRAWN BY: MAP	CHK BY: .

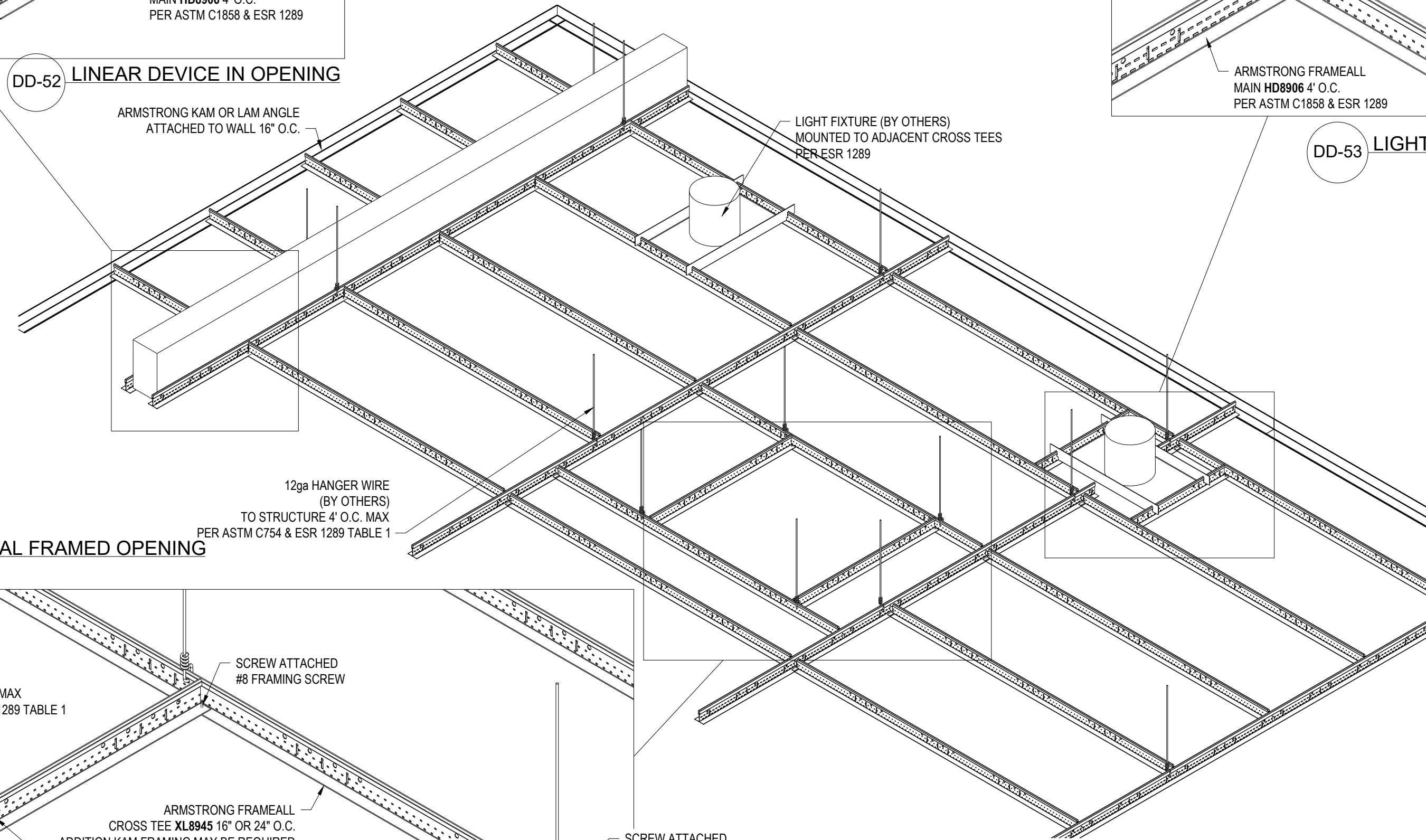
TechLine ARMSTRONG CEILING & WALL SOLUTIONS • Lancaster, PA • Phone: 877-ARMSTRONG



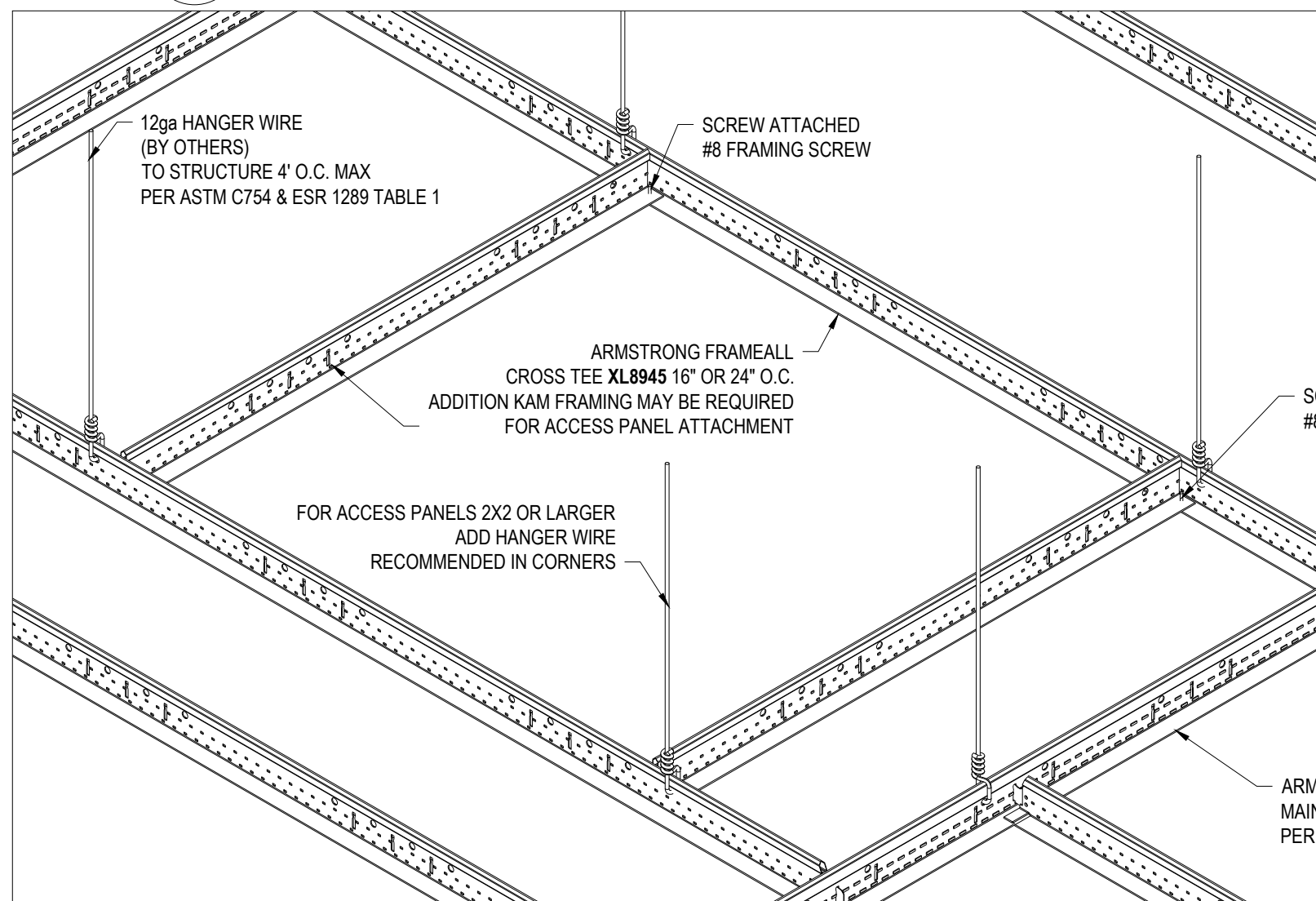
DD-52 LINEAR DEVICE IN OPENING



DD-53 LIGHT FIXTURE AT CUT MAIN BEAM



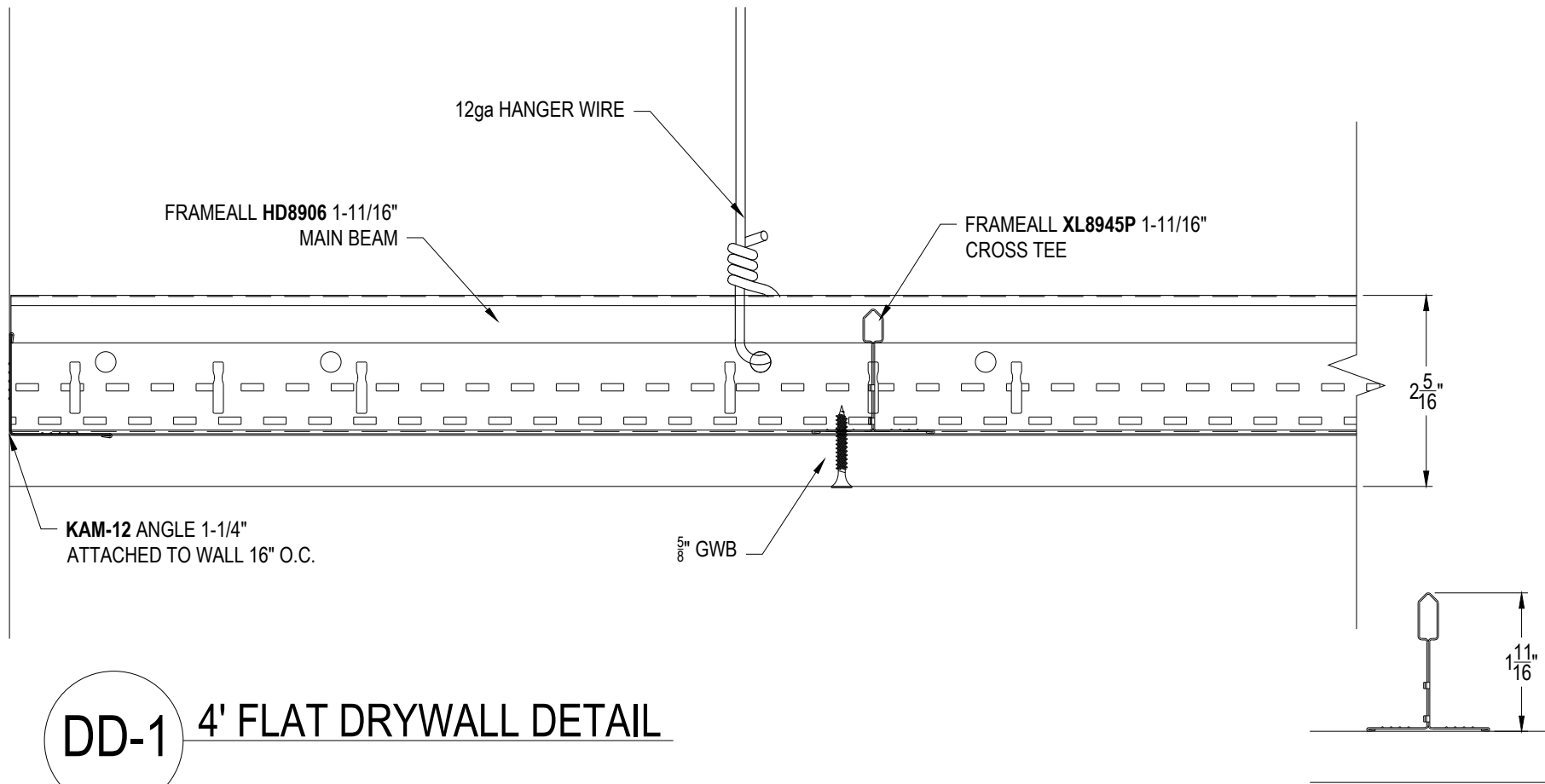
DD-54 TYPICAL FRAMED OPENING



These drawings show typical conditions in which the Armstrong® product depicted is installed. They are not a substitute for an architect's or engineer's plan and do not reflect the unique requirements of local building codes, laws, statutes, ordinances, rules and regulations (Legal Requirements) that may be applicable for a particular installation. Armstrong Ceiling Solutions does not warrant, and assumes no liability for the accuracy or completeness of the drawings for a particular installation or their fitness for a particular purpose. The user is advised to consult with a duly licensed architect or engineer in the particular locale of the installation to assure compliance with all Legal Requirements. Armstrong is not licensed to provide professional architecture or engineering design services.

PROJECT NAME: FRAMEALL GRID SYSTEM MASTER SHEET SEISMIC FLAT FRAMEALL ASSEMBLY			
DWG. NO. A-F004-AD-01	REV: .	DATE: .	
DATE: 6/27/24	SCALE: .	DESC: .	
DRAWN BY: DAG	CHK BY: .		





DD-1 4' FLAT DRYWALL DETAIL

FRAMEALL MAIN BEAM

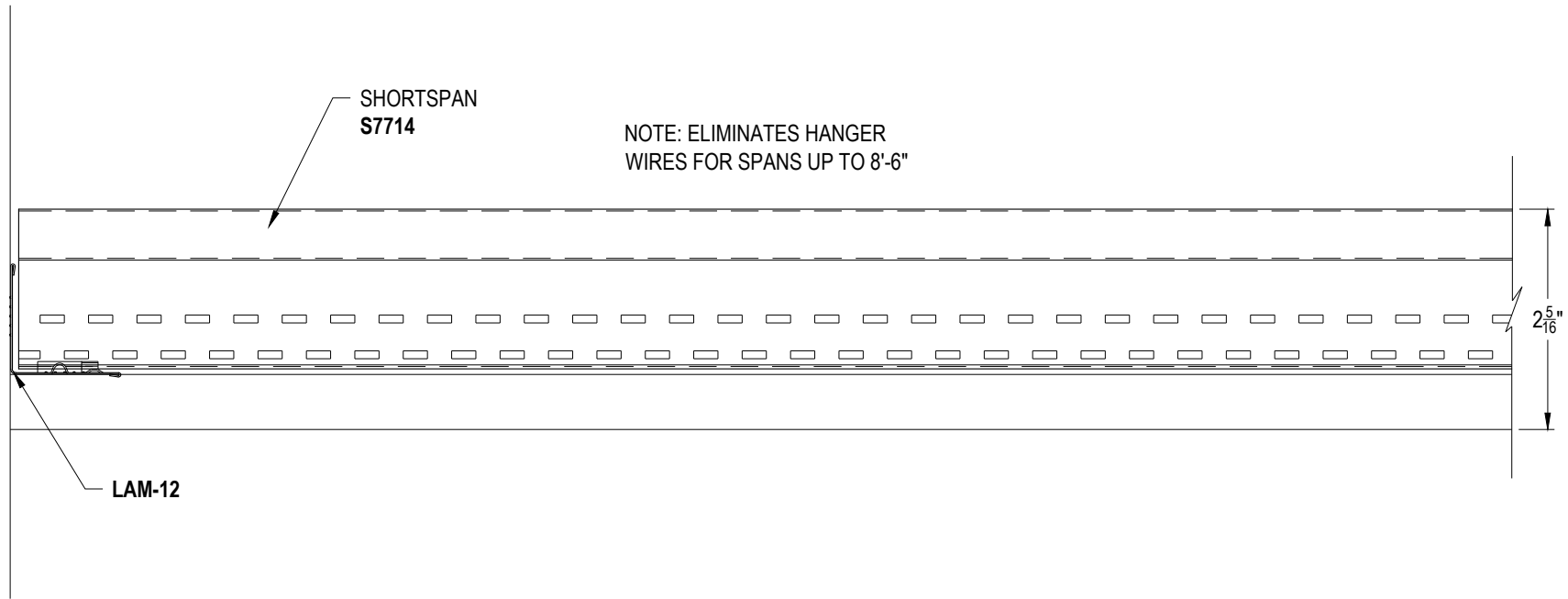
These drawings show typical conditions in which the Armstrong product depicted is installed. They are not a substitute for an architect's or engineer's plan and do not reflect the unique requirements of local building codes, laws, statutes, ordinances, rules and regulations (Legal Requirements) that may be applicable for a particular installation.

Armstrong does not warrant, and assumes no liability for the accuracy or completeness of the drawings for a particular installation or their fitness for a particular purpose. The user is advised to consult with a duly licensed architect or engineer in the particular locale of the installation to assure compliance with all Legal Requirements.

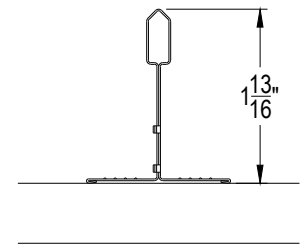
Armstrong is not licensed to provide professional architecture or engineering design services.

PROJECT NAME: FRAMEALL GRID SYSTEM MASTER SHEET			
4' FLAT DRYWALL DETAIL			
DWG. NO. A-F004-DD-01	REV: .	DATE: .	
DATE: 6/27/24	SCALE: 6"=1'-0"	DESC.: .	
DRAWN BY: DAG	CHK BY: .		





DD-2 SHORTSPAN FRAMING DETAIL



SHORTSPAN

These drawings show typical conditions in which the Armstrong product depicted is installed. They are not a substitute for an architect's or engineer's plan and do not reflect the unique requirements of local building codes, laws, statutes, ordinances, rules and regulations (Legal Requirements) that may be applicable for a particular installation.

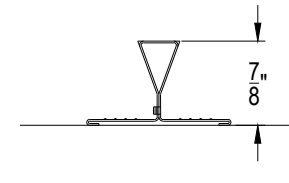
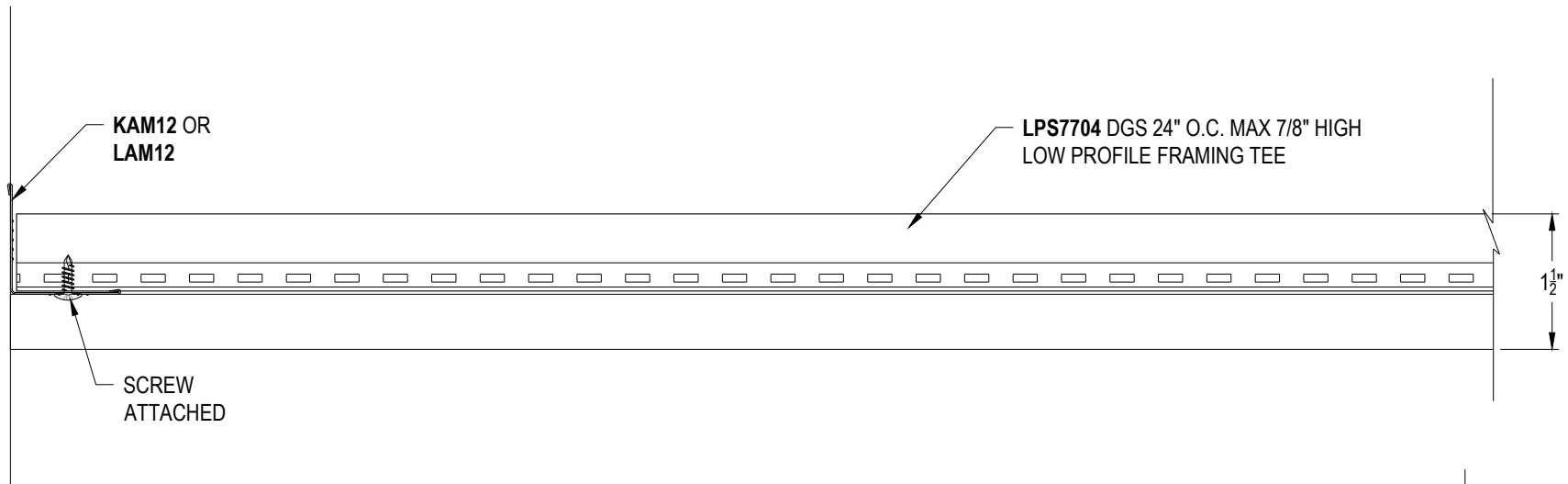
Armstrong does not warrant, and assumes no liability for the accuracy or completeness of the drawings for a particular installation or their fitness for a particular purpose. The user is advised to consult with a duly licensed architect or engineer in the particular locale of the installation to assure compliance with all Legal Requirements.

Armstrong is not licensed to provide professional architecture or engineering design services.

**PROJECT NAME: FRAMEALL GRID SYSTEM MASTER SHEET
SHORTSPAN FRAMING DETAIL**

DWG. NO. A-F004-DD-02		REV: .	DATE: .
DATE: 6/27/24	SCALE: 6"=1'-0"	DESC.: .	
DRAWN BY: DAG	CHK BY: .		





DD-3 SHORTSPAN "LOW PROFILE" FRAMING DETAIL

LOW PROFILE SHORTSPAN

These drawings show typical conditions in which the Armstrong product depicted is installed. They are not a substitute for an architect's or engineer's plan and do not reflect the unique requirements of local building codes, laws, statutes, ordinances, rules and regulations (Legal Requirements) that may be applicable for a particular installation.

Armstrong does not warrant, and assumes no liability for the accuracy or completeness of the drawings for a particular installation or their fitness for a particular purpose. The user is advised to consult with a duly licensed architect or engineer in the particular locale of the installation to assure compliance with all Legal Requirements.

Armstrong is not licensed to provide professional architecture or engineering design services.

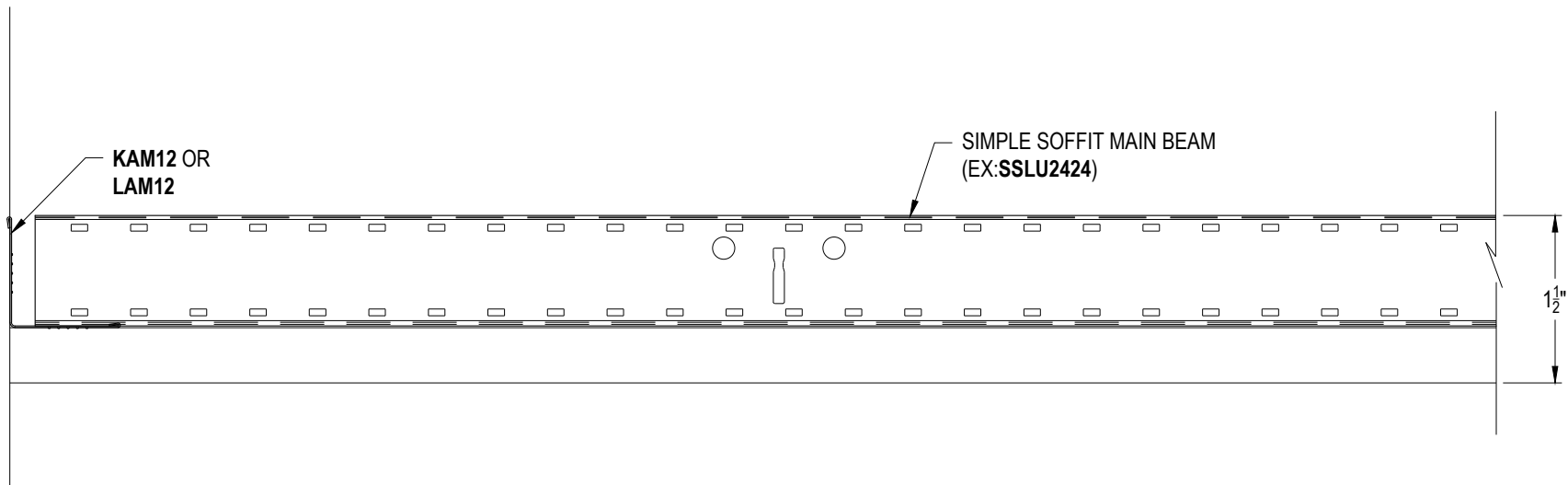
PROJECT NAME: FRAMEALL GRID SYSTEM MASTER SHEET
SHORTSPAN "LOW PROFILE" FRAMING DETAIL

DWG. NO. A-F004-DD-03		REV: .	DATE: .
DATE: 6/27/24	SCALE: 6"=1'-0"	DESC.: .	
DRAWN BY: DAG	CHK BY: .		



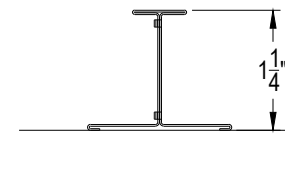
CEILING & WALL SOLUTIONS * ARMSTRONG WORLD INDUSTRIES, INC. * Lancaster, PA * Phone: 877-ARMSTRONG





DD-4

SIMPLE SOFFIT FRAMING DETAIL



SIMPLE SOFFIT MAIN BEAM

These drawings show typical conditions in which the Armstrong product depicted is installed. They are not a substitute for an architect's or engineer's plan and do not reflect the unique requirements of local building codes, laws, statutes, ordinances, rules and regulations (Legal Requirements) that may be applicable for a particular installation.

Armstrong does not warrant, and assumes no liability for the accuracy or completeness of the drawings for a particular installation or their fitness for a particular purpose. The user is advised to consult with a duly licensed architect or engineer in the particular locale of the installation to assure compliance with all Legal Requirements.

Armstrong is not licensed to provide professional architecture or engineering design services.

PROJECT NAME: FRAMEALL GRID SYSTEM MASTER SHEET
SIMPLE SOFFIT FRAMING DETAIL

DWG. NO. A-F004-DD-04

REV: . DATE: .

DATE: 6/27/24

SCALE: 6"=1'-0"

DESC.: .

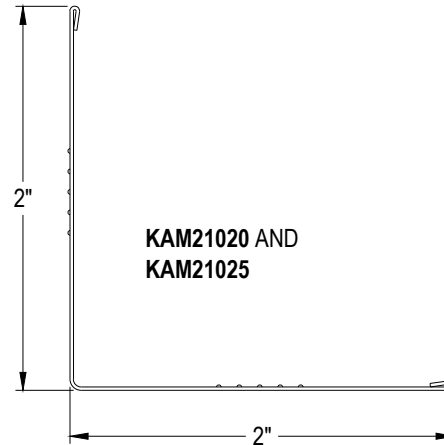
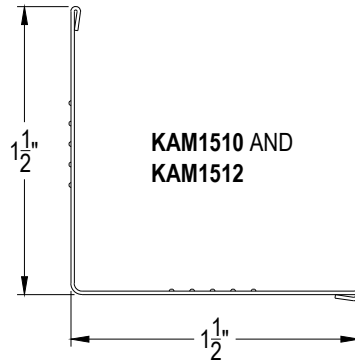
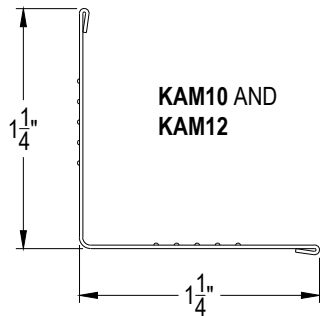
DRAWN BY: DAG

CHK BY: .

TechLine

CEILING & WALL SOLUTIONS * ARMSTRONG WORLD INDUSTRIES, INC. * Lancaster, PA * Phone: 877-ARMSTRONG

Armstrong
World Industries



KNURLED ANGLE MOLDINGS

(20GA, 22GA, 25GA, ALL AVAILABLE IN ALL KAM)
(G90 COATING AVAILABLE IN ALL KAM)

DD-5

These drawings show typical conditions in which the Armstrong product depicted is installed. They are not a substitute for an architect's or engineer's plan and do not reflect the unique requirements of local building codes, laws, statutes, ordinances, rules and regulations (Legal Requirements) that may be applicable for a particular installation.

Armstrong does not warrant, and assumes no liability for the accuracy or completeness of the drawings for a particular installation or their fitness for a particular purpose. The user is advised to consult with a duly licensed architect or engineer in the particular locale of the installation to assure compliance with all Legal Requirements.

Armstrong is not licensed to provide professional architecture or engineering design services.

PROJECT NAME: **FRAMEALL GRID SYSTEM MASTER SHEET
KNURLED ANGLE MOLDINGS**

DWG. NO. **A-F004-DD-05**

REV: . DATE: .

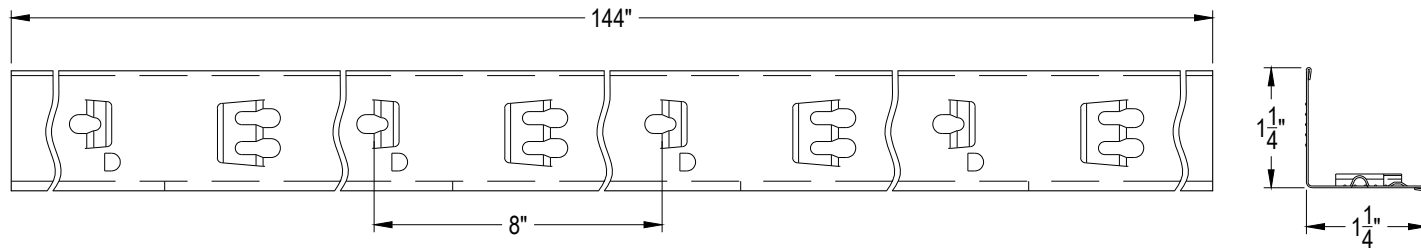
DATE: **6/27/24**

SCALE: **1'-0"=1'-0"**

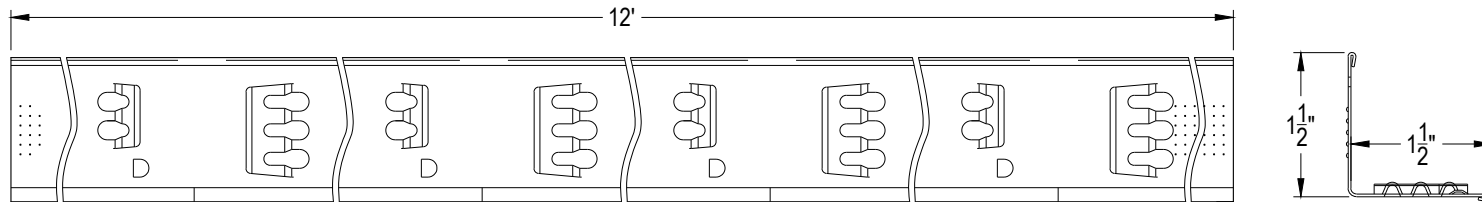
DESC.: .

DRAWN BY: **DAG**

CHK BY: .



LAM-12
LOCKING ANGLE MOLDING



LAM-151220E
DD-6 LOCKING ANGLE MOLDING

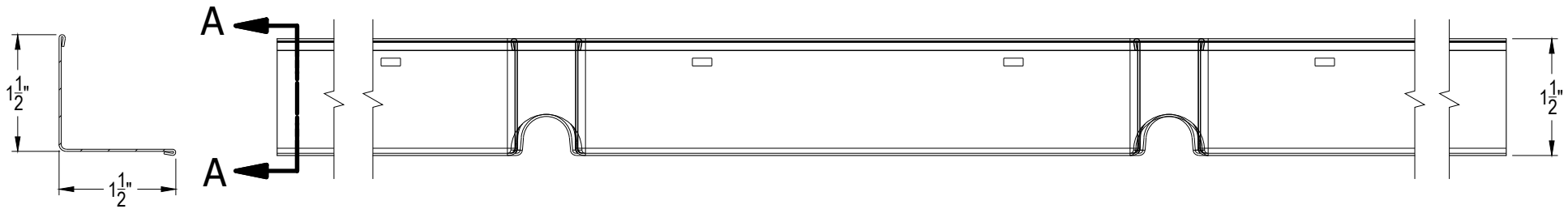
These drawings show typical conditions in which the Armstrong product depicted is installed. They are not a substitute for an architect's or engineer's plan and do not reflect the unique requirements of local building codes, laws, statutes, ordinances, rules and regulations (Legal Requirements) that may be applicable for a particular installation.

Armstrong does not warrant, and assumes no liability for the accuracy or completeness of the drawings for a particular installation or their fitness for a particular purpose. The user is advised to consult with a duly licensed architect or engineer in the particular locale of the installation to assure compliance with all Legal Requirements.

Armstrong is not licensed to provide professional architecture or engineering design services.

PROJECT NAME: **FRAMEALL GRID SYSTEM MASTER SHEET**
LOCKING ANGLE MOLDINGS

DWG. NO. A-F004-DD-06		REV: .	DATE: .
DATE: 6/27/24	SCALE: 6"=1'-0"	DESC.: .	
DRAWN BY: DAG	CHK BY: .		



SECTION A-A

DD-7

SIMPLECURVE KNURLED ANGLE MOLDING SC151225
(22GA, 25GA, ALL AVAILABLE IN ALL KAM)
(G90 COATING AVAILABLE IN ALL KAM)

These drawings show typical conditions in which the Armstrong product depicted is installed. They are not a substitute for an architect's or engineer's plan and do not reflect the unique requirements of local building codes, laws, statutes, ordinances, rules and regulations (Legal Requirements) that may be applicable for a particular installation.

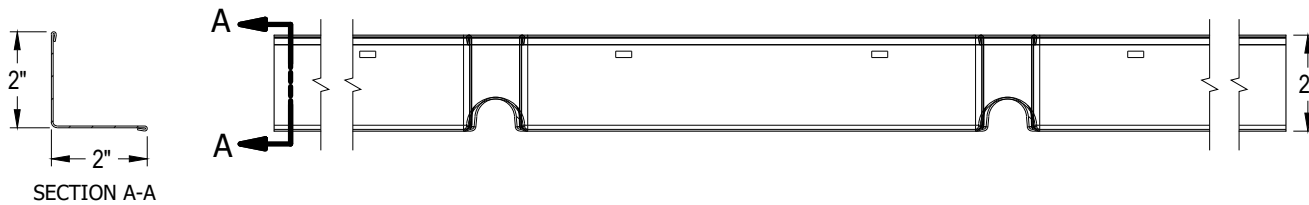
Armstrong does not warrant, and assumes no liability for the accuracy or completeness of the drawings for a particular installation or their fitness for a particular purpose. The user is advised to consult with a duly licensed architect or engineer in the particular locale of the installation to assure compliance with all Legal Requirements.

Armstrong is not licensed to provide professional architecture or engineering design services.

PROJECT NAME: **FRAMEALL GRID SYSTEM MASTER SHEET**
SIMPLECURVE KNURLED ANGLE MOLDING SC151225

DWG. NO. A-F004-DD-07		REV: .	DATE: .
DATE: 6/27/24	SCALE: 6"=1'-0"	DESC.: .	
DRAWN BY: DAG	CHK BY: .		





SIMPLECURVE KNURLED ANGLE MOLDING SC21225
 (22GA, 25GA, ALL AVAILABLE IN ALL KAM)
 (G90 COATING AVAILABLE IN ALL KAM)

DD-8

These drawings show typical conditions in which the Armstrong product depicted is installed. They are not a substitute for an architect's or engineer's plan and do not reflect the unique requirements of local building codes, laws, statutes, ordinances, rules and regulations (Legal Requirements) that may be applicable for a particular installation.

Armstrong does not warrant, and assumes no liability for the accuracy or completeness of the drawings for a particular installation or their fitness for a particular purpose. The user is advised to consult with a duly licensed architect or engineer in the particular locale of the installation to assure compliance with all Legal Requirements.

Armstrong is not licensed to provide professional architecture or engineering design services.

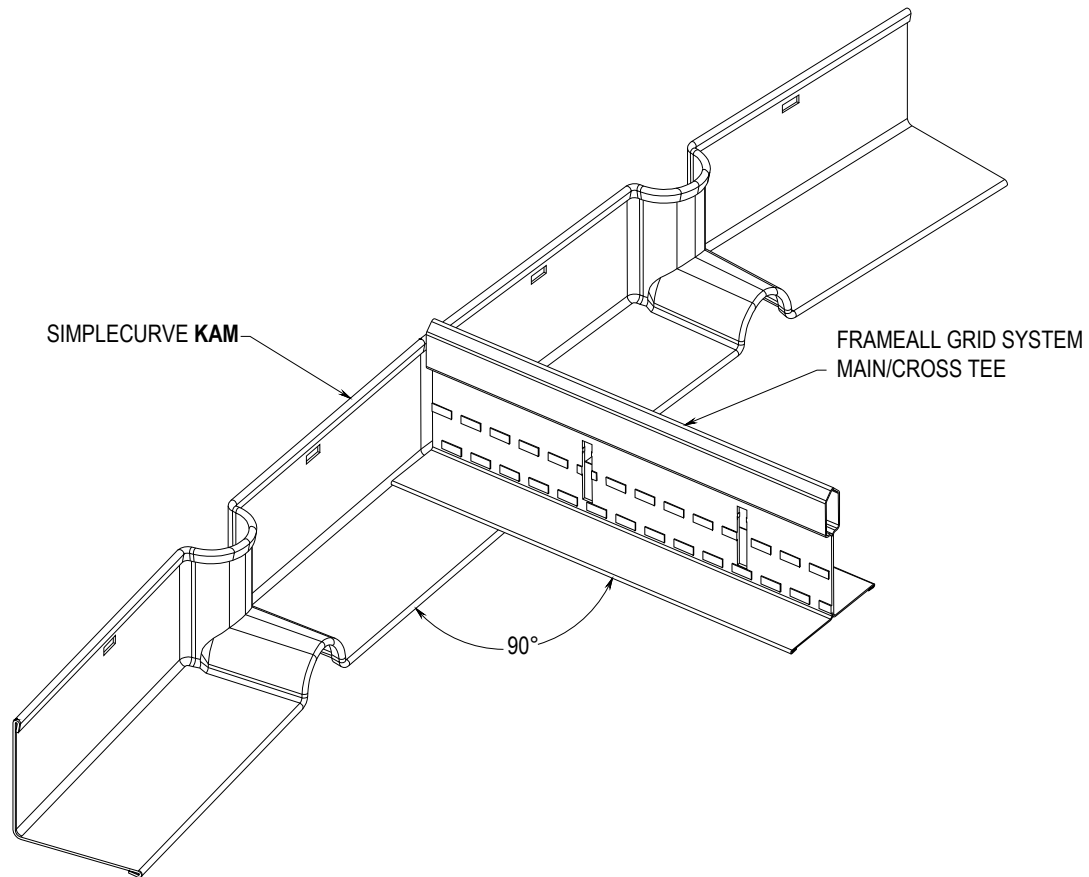
PROJECT NAME: FRAMEALL GRID SYSTEM MASTER SHEET
 SIMPLECURVE KNURLED ANGLE MOLDING SC21225

DWG. NO. A-F004-DD-08		REV: .	DATE: .
DATE: 6/27/24	SCALE: 3"=1'-0"	DESC.: .	
DRAWN BY: DAG	CHK BY: .		



CEILING & WALL SOLUTIONS * ARMSTRONG WORLD INDUSTRIES, INC. * Lancaster, PA * Phone: 877-ARMSTRONG





DD-9 SIMPLECURVE KAM WITH FRAMEALL DRYWALL GRID

These drawings show typical conditions in which the Armstrong product depicted is installed. They are not a substitute for an architect's or engineer's plan and do not reflect the unique requirements of local building codes, laws, statutes, ordinances, rules and regulations (Legal Requirements) that may be applicable for a particular installation.

Armstrong does not warrant, and assumes no liability for the accuracy or completeness of the drawings for a particular installation or their fitness for a particular purpose. The user is advised to consult with a duly licensed architect or engineer in the particular locale of the installation to assure compliance with all Legal Requirements.

Armstrong is not licensed to provide professional architecture or engineering design services.

PROJECT NAME: **FRAMEALL GRID SYSTEM MASTER SHEET
SIMPLECURVE KAM WITH DRYWALL GRID**

DWG. NO. **A-F004-DD-09**

REV: . DATE: .

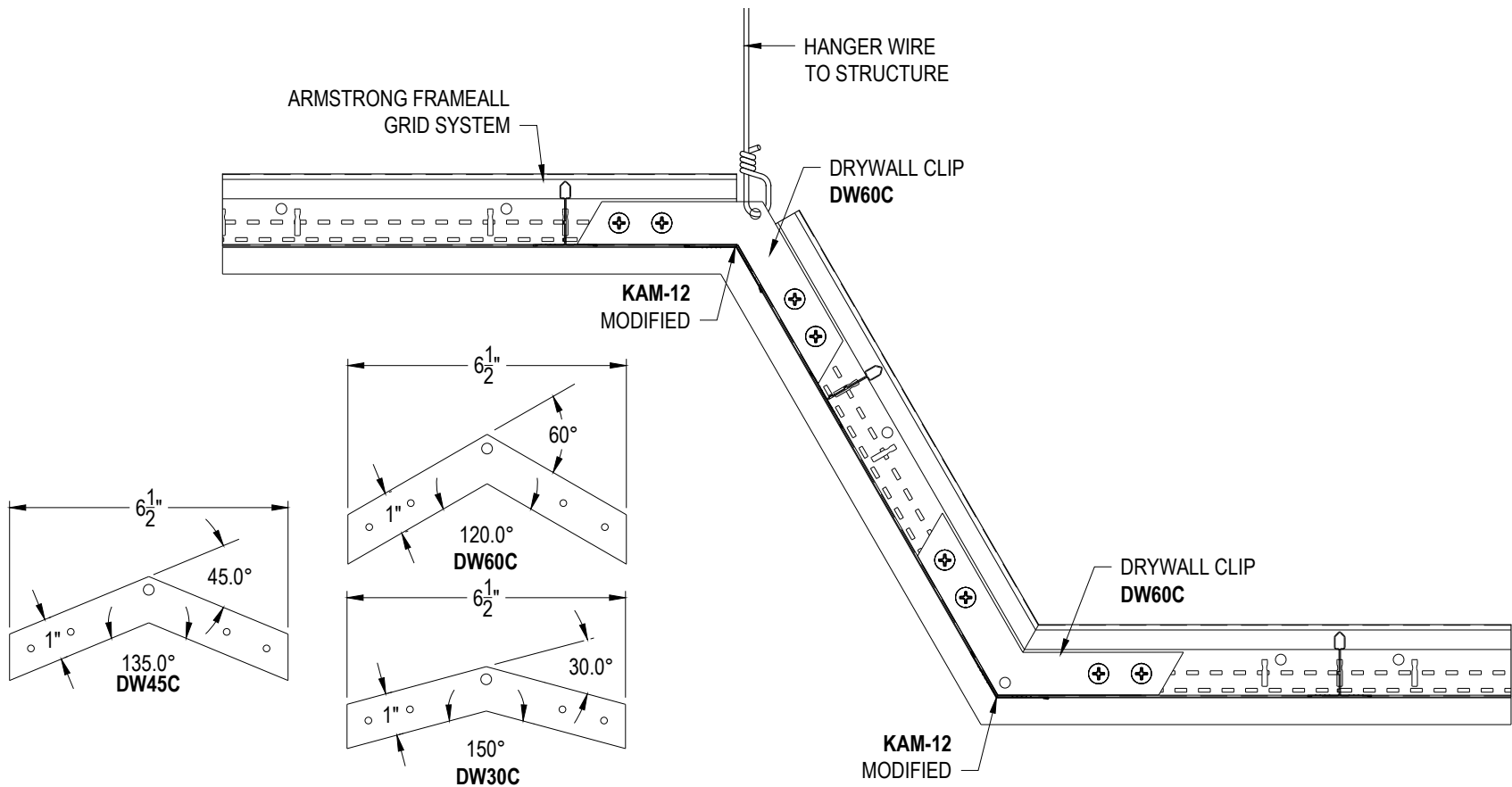
DATE: **6/27/24**

SCALE: **6"=1'-0"**

DESC.: .

DRAWN BY: **DAG**

CHK BY: .



DD-10 DW60C APPLICATION

These drawings show typical conditions in which the Armstrong product depicted is installed. They are not a substitute for an architect's or engineer's plan and do not reflect the unique requirements of local building codes, laws, statutes, ordinances, rules and regulations (Legal Requirements) that may be applicable for a particular installation.

Armstrong does not warrant, and assumes no liability for the accuracy or completeness of the drawings for a particular installation or their fitness for a particular purpose. The user is advised to consult with a duly licensed architect or engineer in the particular locale of the installation to assure compliance with all Legal Requirements.

Armstrong is not licensed to provide professional architecture or engineering design services.

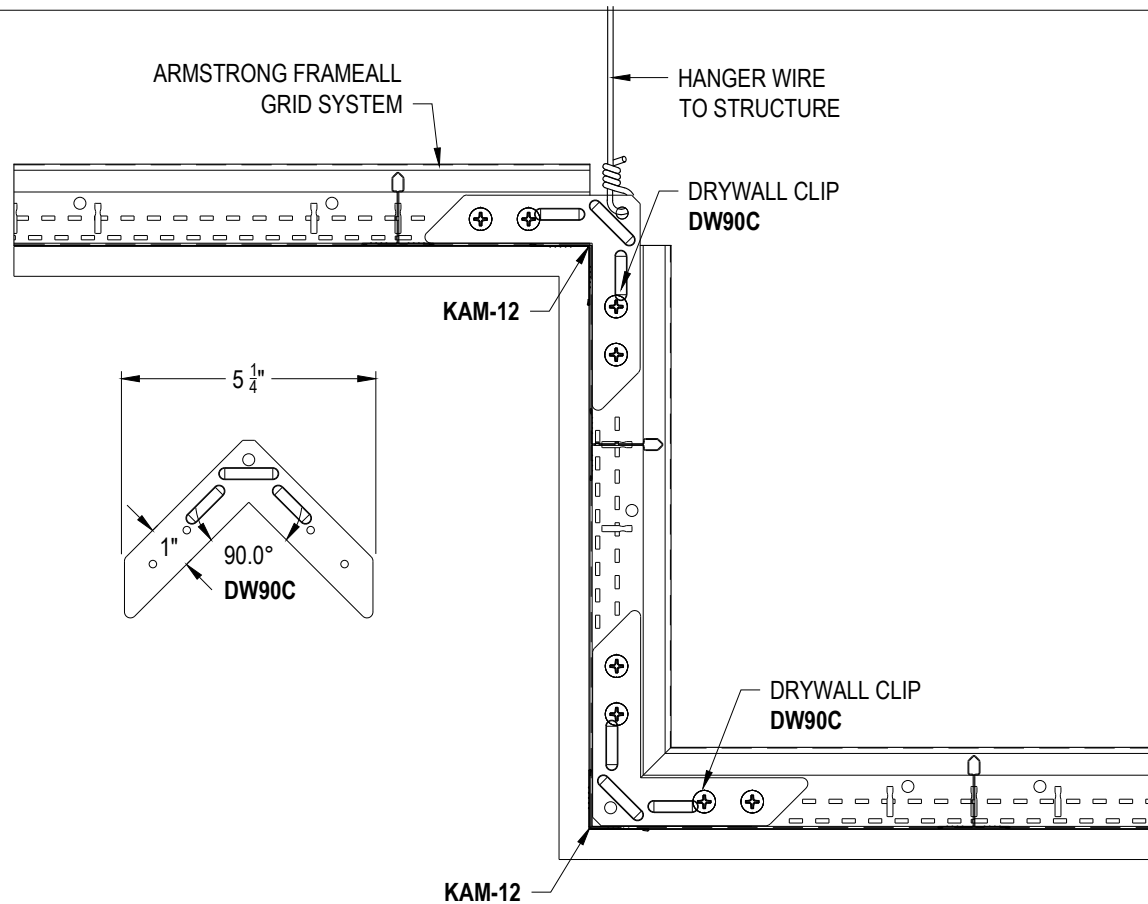
PROJECT NAME: **FRAMEALL GRID SYSTEM MASTER SHEET
DW60C APPLICATION**

DWG. NO. A-F004-DD-10		REV: .	DATE: .
DATE: 6/27/24	SCALE: 3"=1'-0"	DESC.: .	
DRAWN BY: DAG	CHK BY: .		



CEILING & WALL SOLUTIONS * ARMSTRONG WORLD INDUSTRIES, INC. * Lancaster, PA * Phone: 877-ARMSTRONG





DD-11 DW90C APPLICATION

These drawings show typical conditions in which the Armstrong product depicted is installed. They are not a substitute for an architect's or engineer's plan and do not reflect the unique requirements of local building codes, laws, statutes, ordinances, rules and regulations (Legal Requirements) that may be applicable for a particular installation.

Armstrong does not warrant, and assumes no liability for the accuracy or completeness of the drawings for a particular installation or their fitness for a particular purpose. The user is advised to consult with a duly licensed architect or engineer in the particular locale of the installation to assure compliance with all Legal Requirements.

Armstrong is not licensed to provide professional architecture or engineering design services.

PROJECT NAME: **FRAMEALL GRID SYSTEM MASTER SHEET
DW90C APPLICATION**

DWG. NO. **A-F004-DD-11**

REV: . DATE: .

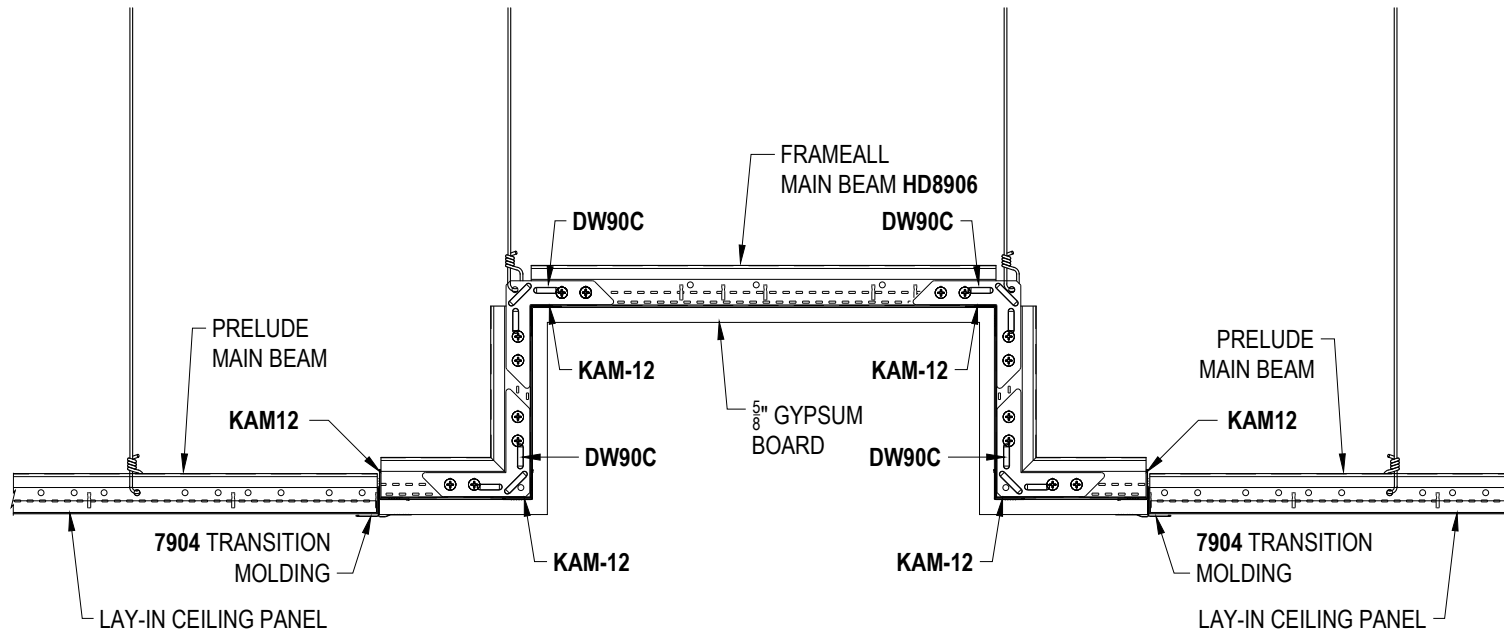
DATE: **6/27/24**

SCALE: **3"=1'-0"**

DESC.: .

DRAWN BY: **DAG**

CHK BY: .



DD-12 CENTER CEILING DRYWALL POCKET

These drawings show typical conditions in which the Armstrong product depicted is installed. They are not a substitute for an architect's or engineer's plan and do not reflect the unique requirements of local building codes, laws, statutes, ordinances, rules and regulations (Legal Requirements) that may be applicable for a particular installation.

Armstrong does not warrant, and assumes no liability for the accuracy or completeness of the drawings for a particular installation or their fitness for a particular purpose. The user is advised to consult with a duly licensed architect or engineer in the particular locale of the installation to assure compliance with all Legal Requirements.

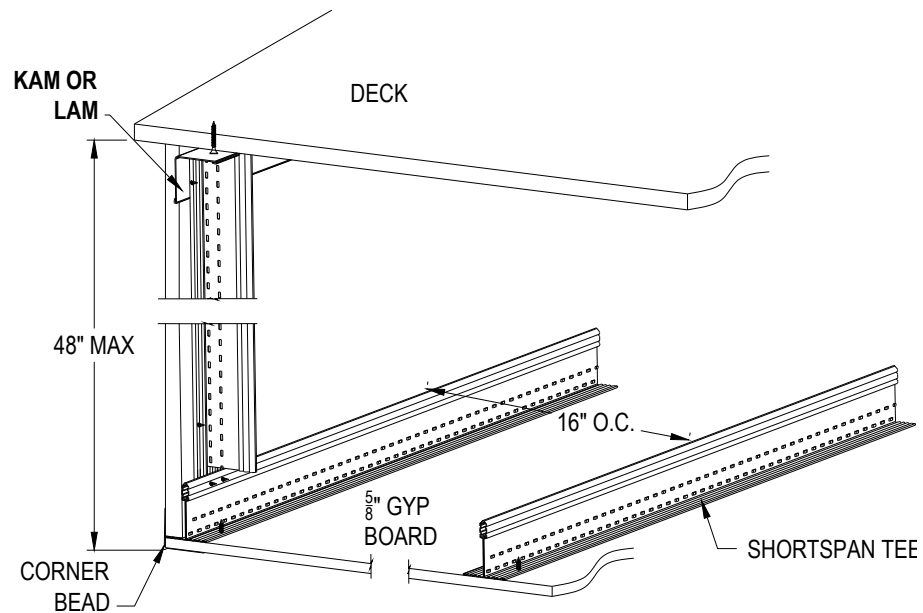
Armstrong is not licensed to provide professional architecture or engineering design services.

PROJECT NAME: FRAMEALL GRID SYSTEM MASTER SHEET CENTER CEILING DRYWALL POCKET			
DWG. NO. A-F004-DD-12		REV: .	DATE: .
DATE: 6/27/24	SCALE: 1-1/2"=1'-0"	DESC.: .	
DRAWN BY: DAG	CHK BY: .		



CEILING & WALL SOLUTIONS * ARMSTRONG WORLD INDUSTRIES, INC. * Lancaster, PA * Phone: 877-ARMSTRONG





DD-13 SHORTSPAN VERTICAL SOFFIT

These drawings show typical conditions in which the Armstrong product depicted is installed. They are not a substitute for an architect's or engineer's plan and do not reflect the unique requirements of local building codes, laws, statutes, ordinances, rules and regulations (Legal Requirements) that may be applicable for a particular installation.

Armstrong does not warrant, and assumes no liability for the accuracy or completeness of the drawings for a particular installation or their fitness for a particular purpose. The user is advised to consult with a duly licensed architect or engineer in the particular locale of the installation to assure compliance with all Legal Requirements.

Armstrong is not licensed to provide professional architecture or engineering design services.

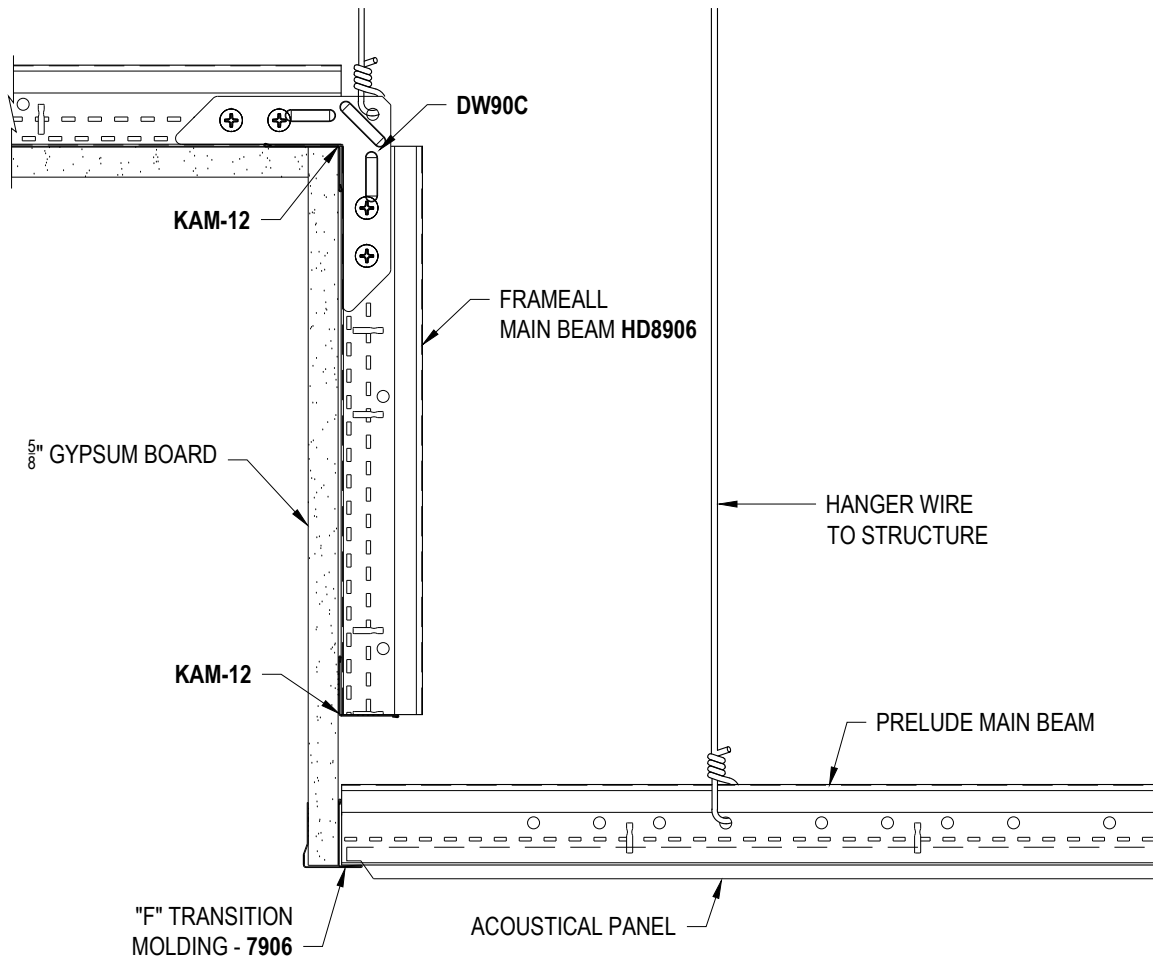
PROJECT NAME: FRAMEALL GRID SYSTEM MASTER SHEET
SHORTSPAN VERTICAL SOFFIT

DWG. NO. A-F004-DD-13		REV: .	DATE: .
DATE: 6/27/24	SCALE: 3"=1'-0"	DESC.: .	
DRAWN BY: DAG	CHK BY: .		



CEILING & WALL SOLUTIONS * ARMSTRONG WORLD INDUSTRIES, INC. * Lancaster, PA * Phone: 877-ARMSTRONG





DD-14 ANGLED DRYWALL POCKET - TEGULAR

These drawings show typical conditions in which the Armstrong product depicted is installed. They are not a substitute for an architect's or engineer's plan and do not reflect the unique requirements of local building codes, laws, statutes, ordinances, rules and regulations (Legal Requirements) that may be applicable for a particular installation.

Armstrong does not warrant, and assumes no liability for the accuracy or completeness of the drawings for a particular installation or their fitness for a particular purpose. The user is advised to consult with a duly licensed architect or engineer in the particular locale of the installation to assure compliance with all Legal Requirements.

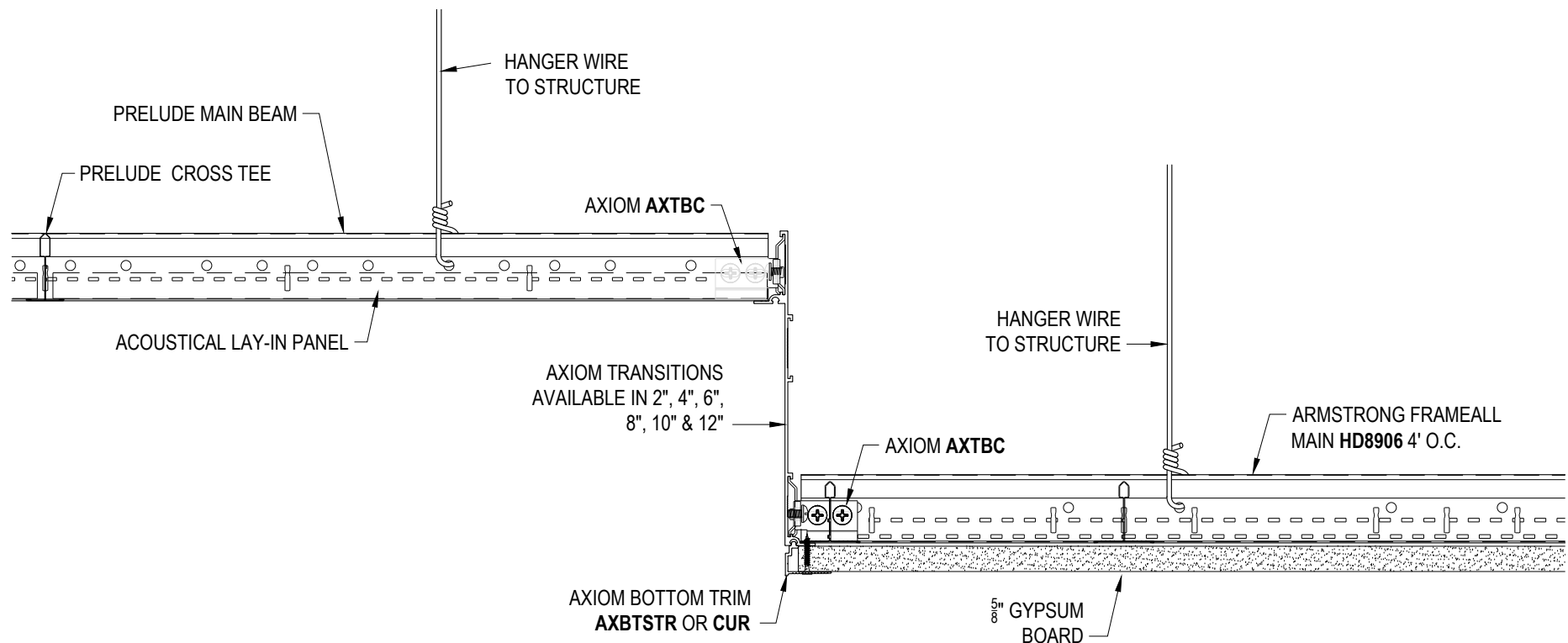
Armstrong is not licensed to provide professional architecture or engineering design services.

PROJECT NAME: FRAMEALL GRID SYSTEM MASTER SHEET			
ANGLED DRYWALL POCKET - TEGULAR			
DWG. NO. A-F004-DD-14		REV: .	DATE: .
DATE: 6/27/24	SCALE: 3"=1'-0"	DESC.: .	
DRAWN BY: DAG	CHK BY: .		



CEILING & WALL SOLUTIONS * ARMSTRONG WORLD INDUSTRIES, INC. * Lancaster, PA * Phone: 877-ARMSTRONG





DD-15 AXIOM TRANSITION ACT TO GYP

These drawings show typical conditions in which the Armstrong product depicted is installed. They are not a substitute for an architect's or engineer's plan and do not reflect the unique requirements of local building codes, laws, statutes, ordinances, rules and regulations (Legal Requirements) that may be applicable for a particular installation.

Armstrong does not warrant, and assumes no liability for the accuracy or completeness of the drawings for a particular installation or their fitness for a particular purpose. The user is advised to consult with a duly licensed architect or engineer in the particular locale of the installation to assure compliance with all Legal Requirements.

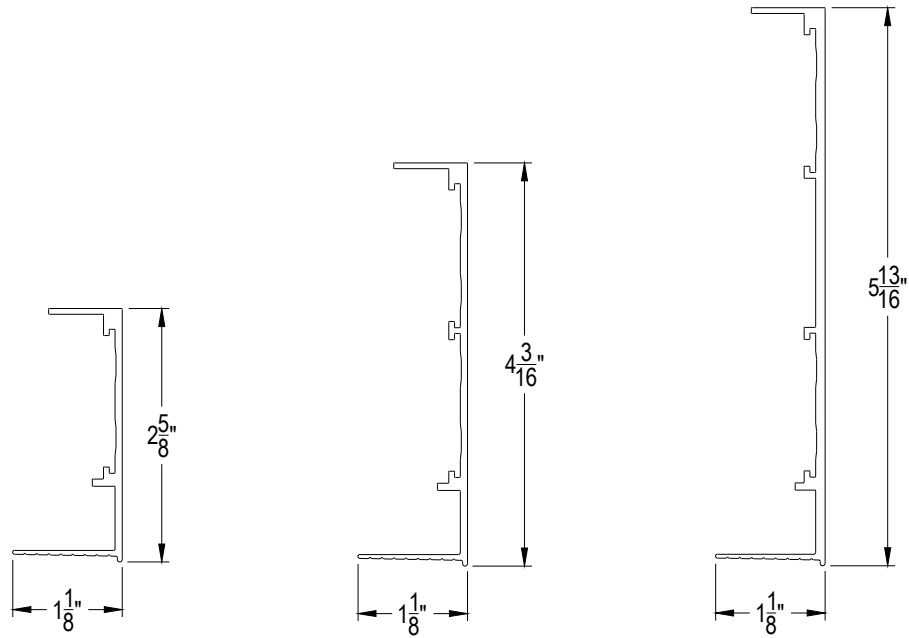
Armstrong is not licensed to provide professional architecture or engineering design services.

PROJECT NAME: FRAMEALL GRID SYSTEM MASTER SHEET			
AXIOM TRANSITION ACT TO GYP			
DWG. NO. A-F004-DD-15	REV: .	DATE: .	
DATE: 6/27/24	SCALE: 3"=1'-0"	DESC.: .	
DRAWN BY: DAG	CHK BY: .		



CEILING & WALL SOLUTIONS * ARMSTRONG WORLD INDUSTRIES, INC. * Lancaster, PA * Phone: 877-ARMSTRONG





DD-16

ONE PIECE AXIOM FOR DRYWALL PERIMETER TRIM

These drawings show typical conditions in which the Armstrong product depicted is installed. They are not a substitute for an architect's or engineer's plan and do not reflect the unique requirements of local building codes, laws, statutes, ordinances, rules and regulations (Legal Requirements) that may be applicable for a particular installation.

Armstrong does not warrant, and assumes no liability for the accuracy or completeness of the drawings for a particular installation or their fitness for a particular purpose. The user is advised to consult with a duly licensed architect or engineer in the particular locale of the installation to assure compliance with all Legal Requirements.

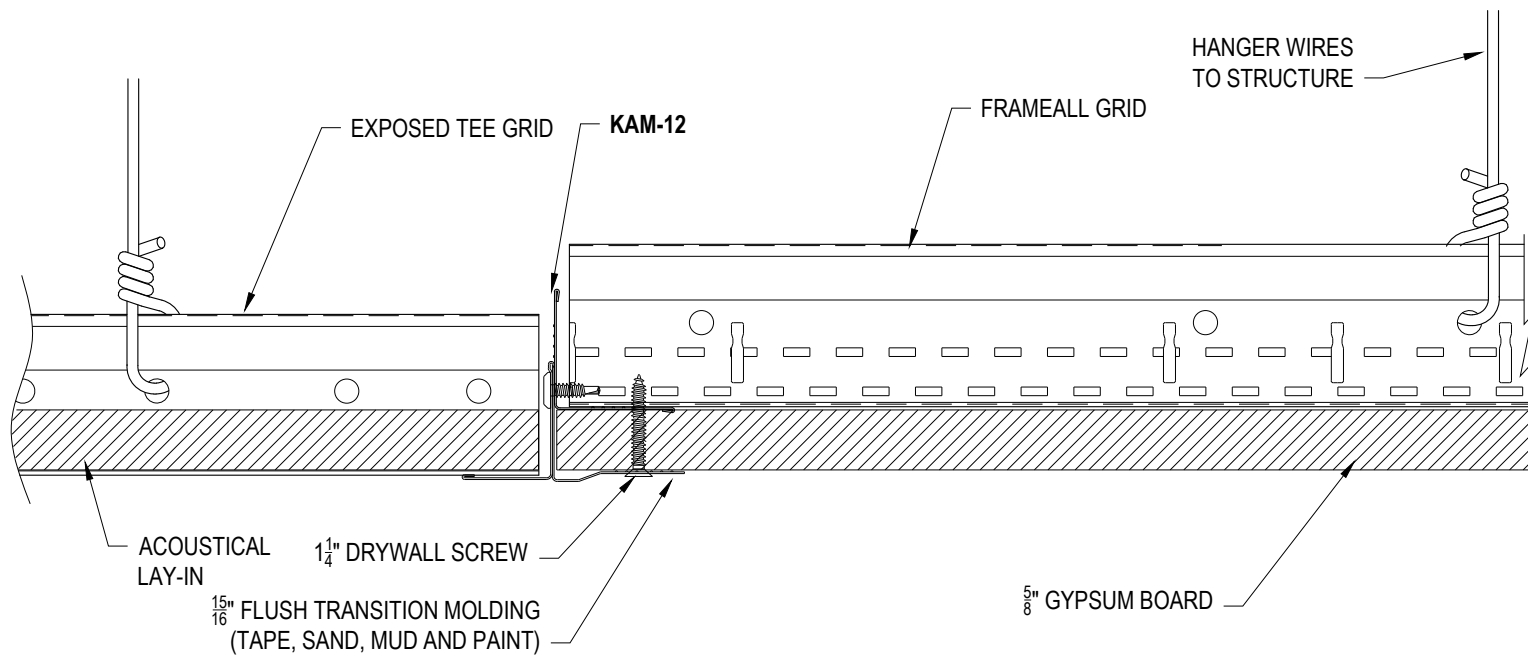
Armstrong is not licensed to provide professional architecture or engineering design services.

PROJECT NAME: FRAMEALL GRID SYSTEM MASTER SHEET			
ONE PIECE AXIOM FOR DRYWALL PERIMETER TRIM			
DWG. NO. A-F004-DD-16		REV: .	DATE: .
DATE: 6/27/24	SCALE: 6"=1'-0"	DESC.: .	
DRAWN BY: DAG	CHK BY: .		



CEILING & WALL SOLUTIONS * ARMSTRONG WORLD INDUSTRIES, INC. * Lancaster, PA * Phone: 877-ARMSTRONG





DD-17 STEEL TRANSITION 7904 ACOUSTICAL TO DRYWALL

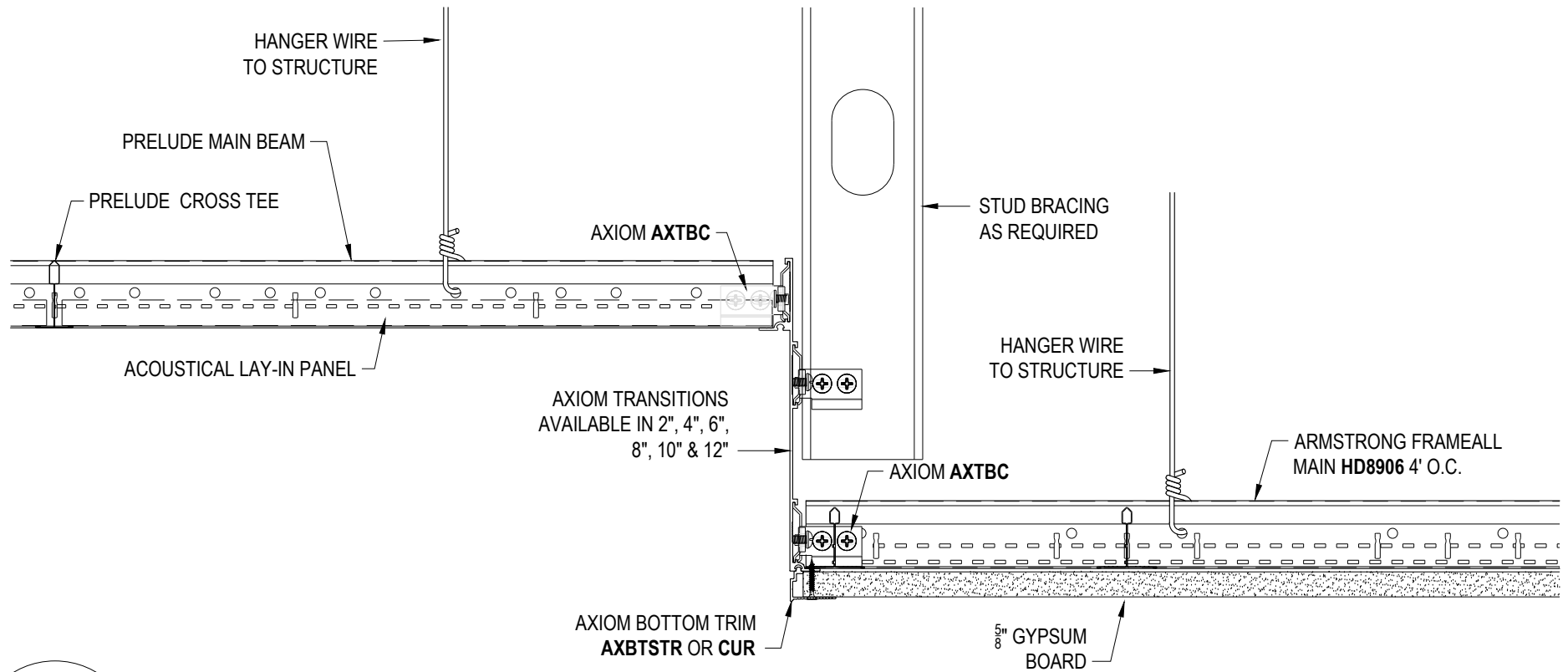
These drawings show typical conditions in which the Armstrong product depicted is installed. They are not a substitute for an architect's or engineer's plan and do not reflect the unique requirements of local building codes, laws, statutes, ordinances, rules and regulations (Legal Requirements) that may be applicable for a particular installation.

Armstrong does not warrant, and assumes no liability for the accuracy or completeness of the drawings for a particular installation or their fitness for a particular purpose. The user is advised to consult with a duly licensed architect or engineer in the particular locale of the installation to assure compliance with all Legal Requirements.

Armstrong is not licensed to provide professional architecture or engineering design services.

PROJECT NAME: FRAMEALL GRID SYSTEM MASTER SHEET
STEEL TRANSITION 7904 ACOUSTICAL TO DRYWALL

DWG. NO. A-F004-DD-17		REV: .	DATE: .
DATE: 6/27/24	SCALE: 6"=1'-0"	DESC.: .	
DRAWN BY: DAG	CHK BY: .		



DD-18 AXIOM TRANSITION ACT TO GYP FOR SEISMIC APPLICATION

These drawings show typical conditions in which the Armstrong product depicted is installed. They are not a substitute for an architect's or engineer's plan and do not reflect the unique requirements of local building codes, laws, statutes, ordinances, rules and regulations (Legal Requirements) that may be applicable for a particular installation.

Armstrong does not warrant, and assumes no liability for the accuracy or completeness of the drawings for a particular installation or their fitness for a particular purpose. The user is advised to consult with a duly licensed architect or engineer in the particular locale of the installation to assure compliance with all Legal Requirements.

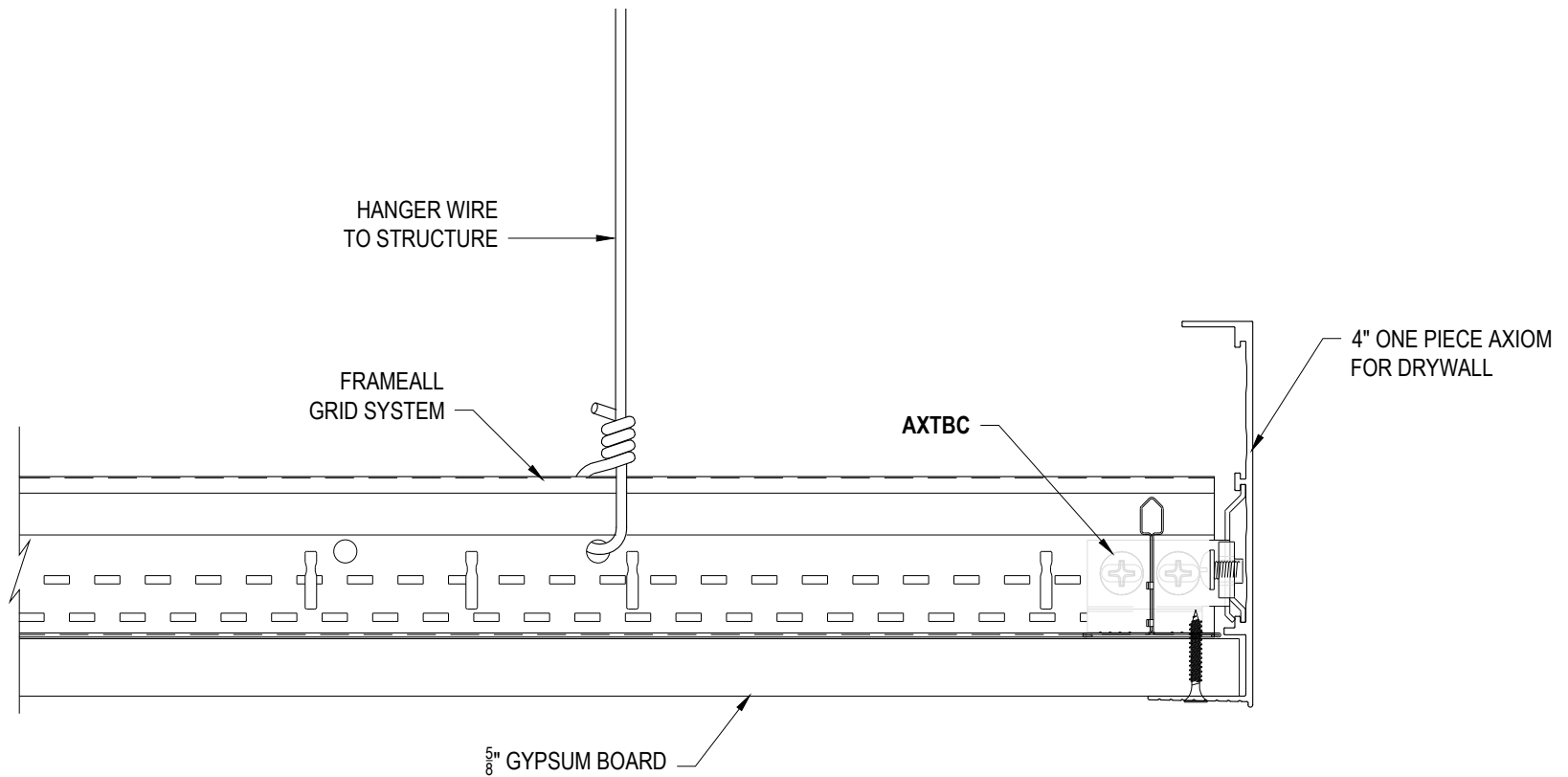
Armstrong is not licensed to provide professional architecture or engineering design services.

PROJECT NAME: FRAMEALL GRID SYSTEM MASTER SHEET AXIOM TRRANSITION ACT TO GYP FOR SEISMIC APPLICATION			
DWG. NO. A-F004-DD-18		REV: .	DATE: .
DATE: 6/27/24	SCALE: 3"=1'-0"		DESC.: .
DRAWN BY: DAG	CHK BY: .		



CEILING & WALL SOLUTIONS * ARMSTRONG WORLD INDUSTRIES, INC. * Lancaster, PA * Phone: 877-ARMSTRONG





DD-19 ONE PIECE AXIOM FOR DRYWALL

These drawings show typical conditions in which the Armstrong product depicted is installed. They are not a substitute for an architect's or engineer's plan and do not reflect the unique requirements of local building codes, laws, statutes, ordinances, rules and regulations (Legal Requirements) that may be applicable for a particular installation.

Armstrong does not warrant, and assumes no liability for the accuracy or completeness of the drawings for a particular installation or their fitness for a particular purpose. The user is advised to consult with a duly licensed architect or engineer in the particular locale of the installation to assure compliance with all Legal Requirements.

Armstrong is not licensed to provide professional architecture or engineering design services.

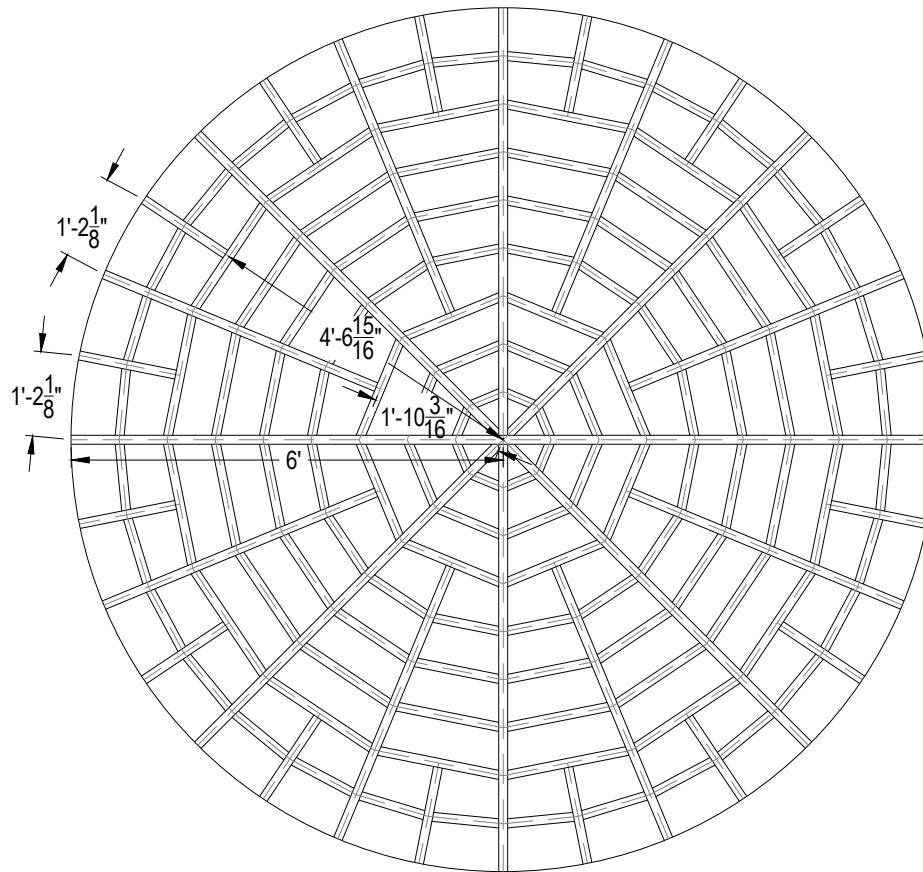
PROJECT NAME: FRAMEALL GRID SYSTEM MASTER SHEET
ONE PIECE AXIOM FOR DRYWALL

DWG. NO. A-F004-DD-19		REV: .	DATE: .
DATE: 6/27/24	SCALE: 6"=1'-0"	DESC.: .	
DRAWN BY: DAG	CHK BY: .		



CEILING & WALL SOLUTIONS * ARMSTRONG WORLD INDUSTRIES, INC. * Lancaster, PA * Phone: 877-ARMSTRONG





DD-20 DRYWALL DOME RCP

These drawings show typical conditions in which the Armstrong product depicted is installed. They are not a substitute for an architect's or engineer's plan and do not reflect the unique requirements of local building codes, laws, statutes, ordinances, rules and regulations (Legal Requirements) that may be applicable for a particular installation.

Armstrong does not warrant, and assumes no liability for the accuracy or completeness of the drawings for a particular installation or their fitness for a particular purpose. The user is advised to consult with a duly licensed architect or engineer in the particular locale of the installation to assure compliance with all Legal Requirements.

Armstrong is not licensed to provide professional architecture or engineering design services.

PROJECT NAME: FRAMEALL GRID SYSTEM MASTER SHEET
 DRYWALL DOME RCP

DWG. NO. A-F004-DD-20

REV: . DATE: .

DATE: 6/27/24

SCALE: 3/8"=1'-0"

DESC.: .

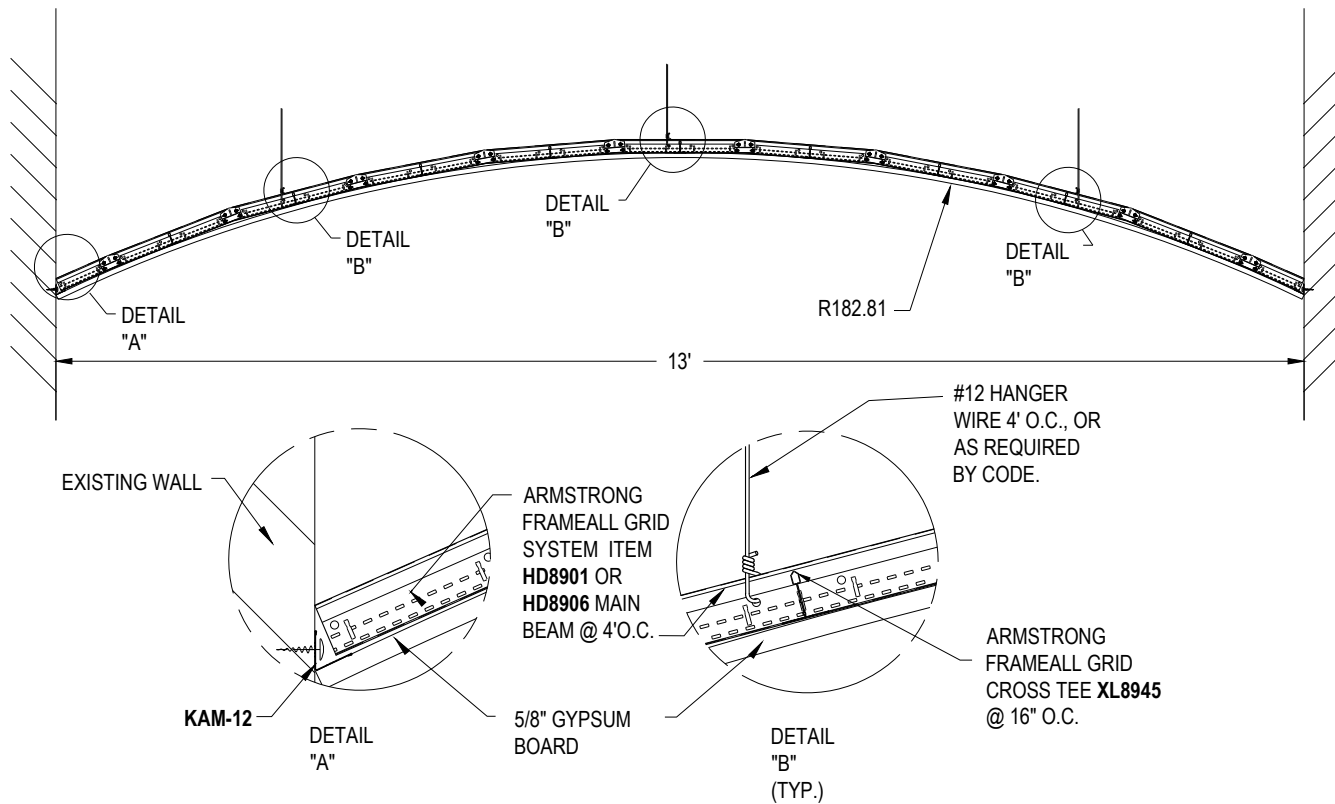
DRAWN BY: DAG

CHK BY: .



CEILING & WALL SOLUTIONS * ARMSTRONG WORLD INDUSTRIES, INC. * Lancaster, PA * Phone: 877-ARMSTRONG





DD-21 DRYWALL BARREL VAULT

These drawings show typical conditions in which the Armstrong product depicted is installed. They are not a substitute for an architect's or engineer's plan and do not reflect the unique requirements of local building codes, laws, statutes, ordinances, rules and regulations (Legal Requirements) that may be applicable for a particular installation.

Armstrong does not warrant, and assumes no liability for the accuracy or completeness of the drawings for a particular installation or their fitness for a particular purpose. The user is advised to consult with a duly licensed architect or engineer in the particular locale of the installation to assure compliance with all Legal Requirements.

Armstrong is not licensed to provide professional architecture or engineering design services.

PROJECT NAME: **FRAMEALL GRID SYSTEM MASTER SHEET
DRYWALL BARREL VAULT**

DWG. NO. **A-F004-DD-21**

REV: . DATE: .

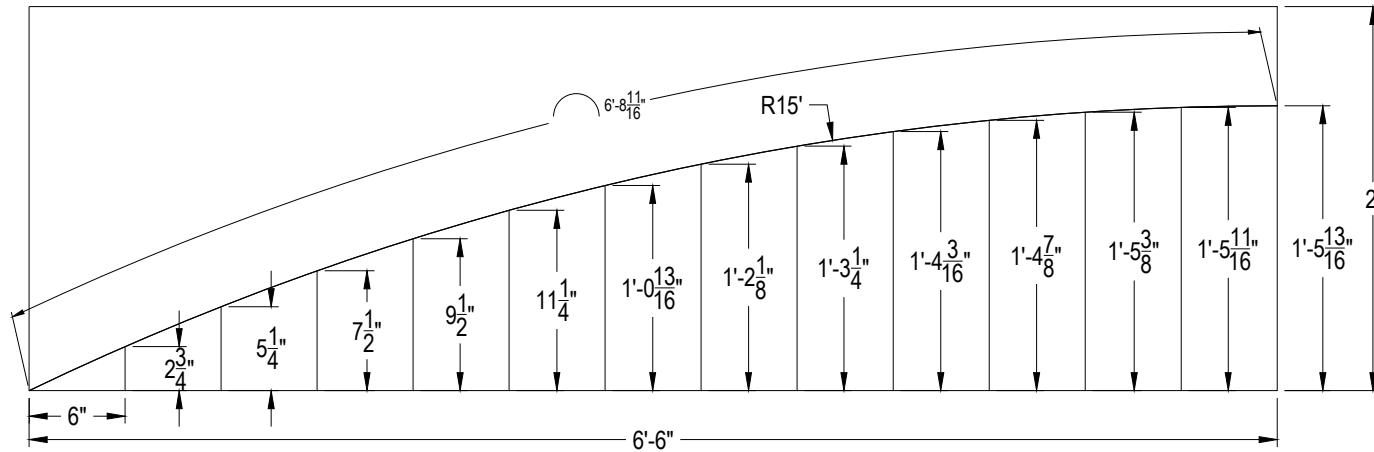
DATE: **6/27/24**

SCALE: **1/2"=1'-0"**

DESC.: .

DRAWN BY: **DAG**

CHK BY: .



DD-22 CURVED DRYWALL TEMPLATE

These drawings show typical conditions in which the Armstrong product depicted is installed. They are not a substitute for an architect's or engineer's plan and do not reflect the unique requirements of local building codes, laws, statutes, ordinances, rules and regulations (Legal Requirements) that may be applicable for a particular installation.

Armstrong does not warrant, and assumes no liability for the accuracy or completeness of the drawings for a particular installation or their fitness for a particular purpose. The user is advised to consult with a duly licensed architect or engineer in the particular locale of the installation to assure compliance with all Legal Requirements.

Armstrong is not licensed to provide professional architecture or engineering design services.

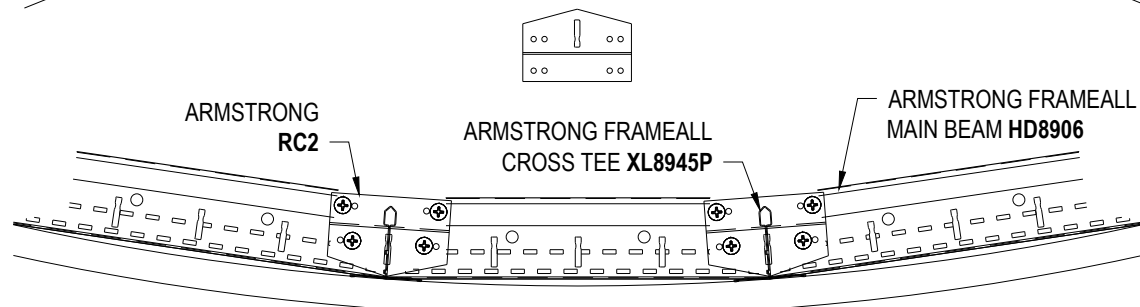
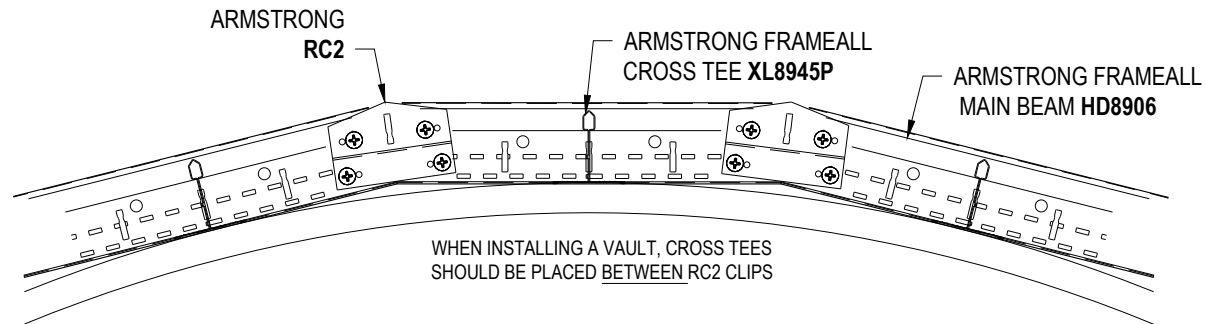
PROJECT NAME: FRAMEALL GRID SYSTEM MASTER SHEET
CURVED DRYWALL TEMPLATE

DWG. NO. A-F004-DD-22		REV: .	DATE: .
DATE: 6/27/24	SCALE: 1"=1'-0"	DESC.: .	
DRAWN BY: DAG	CHK BY: .		



CEILING & WALL SOLUTIONS * ARMSTRONG WORLD INDUSTRIES, INC. * Lancaster, PA * Phone: 877-ARMSTRONG





DD-23

ITEM RC2 RADIUS CLIP

These drawings show typical conditions in which the Armstrong product depicted is installed. They are not a substitute for an architect's or engineer's plan and do not reflect the unique requirements of local building codes, laws, statutes, ordinances, rules and regulations (Legal Requirements) that may be applicable for a particular installation.

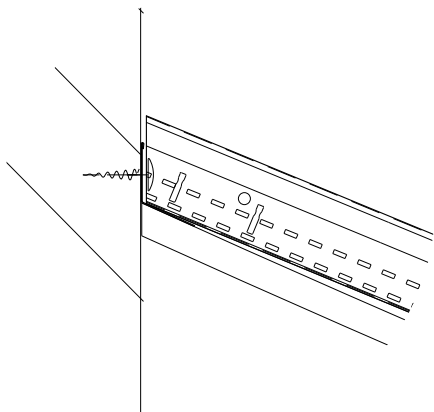
Armstrong does not warrant, and assumes no liability for the accuracy or completeness of the drawings for a particular installation or their fitness for a particular purpose. The user is advised to consult with a duly licensed architect or engineer in the particular locale of the installation to assure compliance with all Legal Requirements.

Armstrong is not licensed to provide professional architecture or engineering design services.

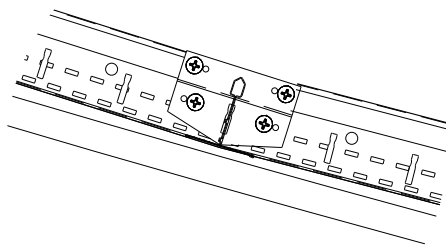
PROJECT NAME: FRAMEALL GRID SYSTEM MASTER SHEET
ITEM RC2 RADIUS CLIP

DWG. NO. A-F004-DD-23		REV: .	DATE: .
DATE: 6/27/24	SCALE: 3"=1'-0"	DESC.: .	
DRAWN BY: DAG	CHK BY: .		

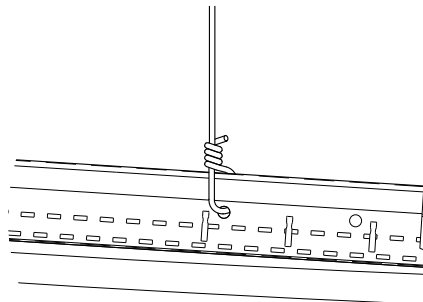




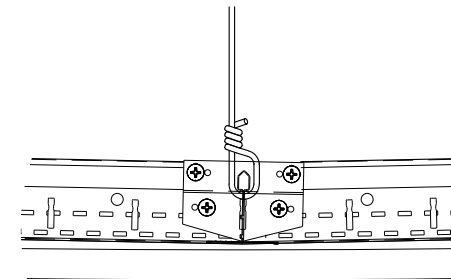
DETAIL "A"



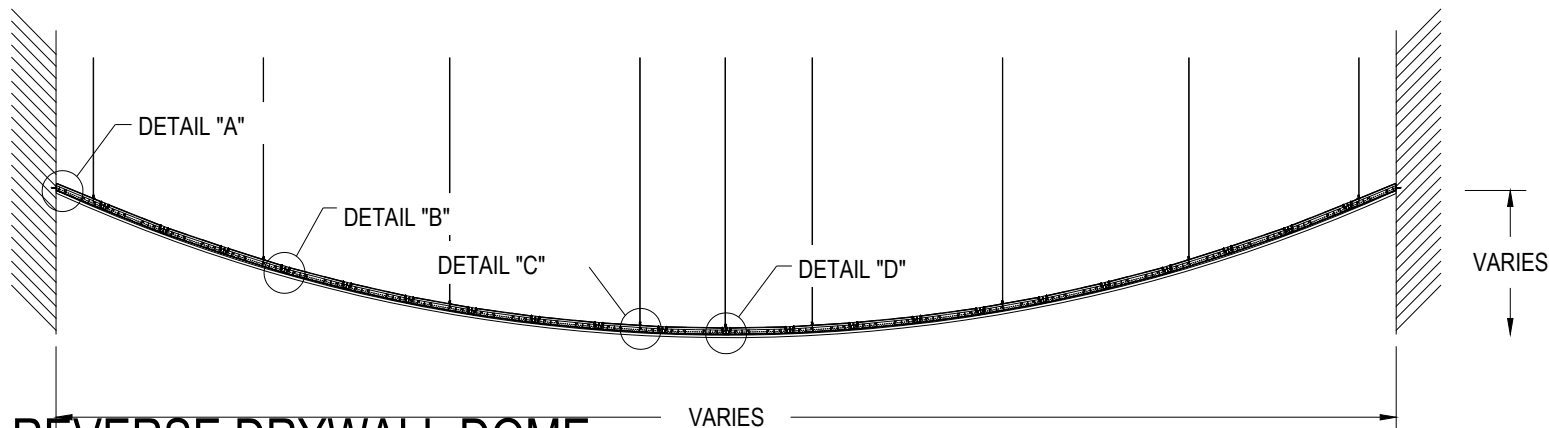
DETAIL "B"



DETAIL "C"



DETAIL "D"



DD-24

REVERSE DRYWALL DOME

These drawings show typical conditions in which the Armstrong product depicted is installed. They are not a substitute for an architect's or engineer's plan and do not reflect the unique requirements of local building codes, laws, statutes, ordinances, rules and regulations (Legal Requirements) that may be applicable for a particular installation.

Armstrong does not warrant, and assumes no liability for the accuracy or completeness of the drawings for a particular installation or their fitness for a particular purpose. The user is advised to consult with a duly licensed architect or engineer in the particular locale of the installation to assure compliance with all Legal Requirements.

Armstrong is not licensed to provide professional architecture or engineering design services.

PROJECT NAME: FRAMEALL GRID SYSTEM MASTER SHEET
REVERSE DRYWALL DOME

DWG. NO. A-F004-DD-24

REV: . DATE: .

DATE: 6/27/24

SCALE: 1/4"=1'-0"

DESC.: .

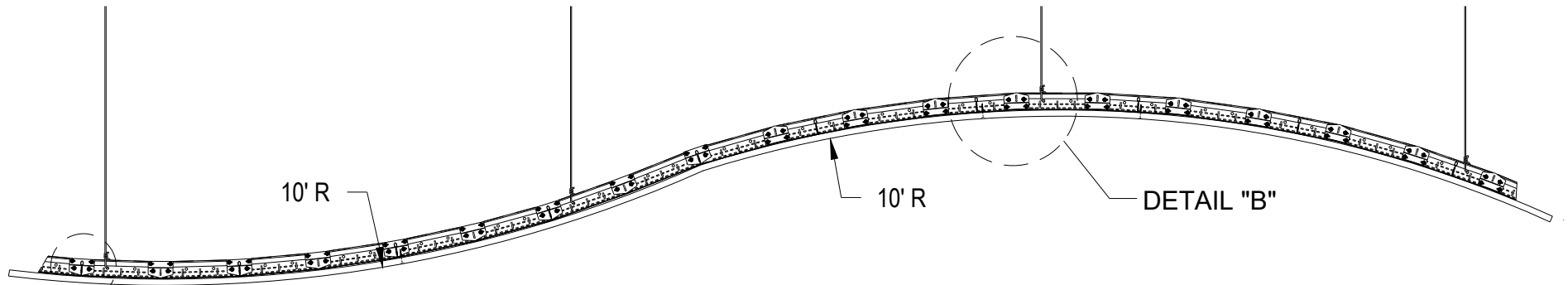
DRAWN BY: DAG

CHK BY: .



CEILING & WALL SOLUTIONS * ARMSTRONG WORLD INDUSTRIES, INC. * Lancaster, PA * Phone: 877-ARMSTRONG





DETAIL "A"
RC2 SPLICE
(8" O.C.)

#12 HANGER WIRE
4' O.C. OR AS REQUIRED
BY CODE

ARMSTRONG FRAMEALL
GRID MAIN BEAM **HD8906F08**
NOTCHED AND SPLICED
(8" O.C.)

5/8 GYPSUM
BOARD

RC2 SPLICE
(8" O.C.)

DD-25

DETAIL "A"
DETAIL "B"
DRYWALL SERPENTINED CLOUD

These drawings show typical conditions in which the Armstrong product depicted is installed. They are not a substitute for an architect's or engineer's plan and do not reflect the unique requirements of local building codes, laws, statutes, ordinances, rules and regulations (Legal Requirements) that may be applicable for a particular installation.

Armstrong does not warrant, and assumes no liability for the accuracy or completeness of the drawings for a particular installation or their fitness for a particular purpose. The user is advised to consult with a duly licensed architect or engineer in the particular locale of the installation to assure compliance with all Legal Requirements.

Armstrong is not licensed to provide professional architecture or engineering design services.

PROJECT NAME: **FRAMEALL GRID SYSTEM MASTER SHEET
DRYWALL SERPENTINED CLOUD**

DWG. NO. **A-F004-DD-25**

REV: . DATE: .

DATE: **6/27/24**

SCALE: **3/4"=1'-0"**

DESC.: .

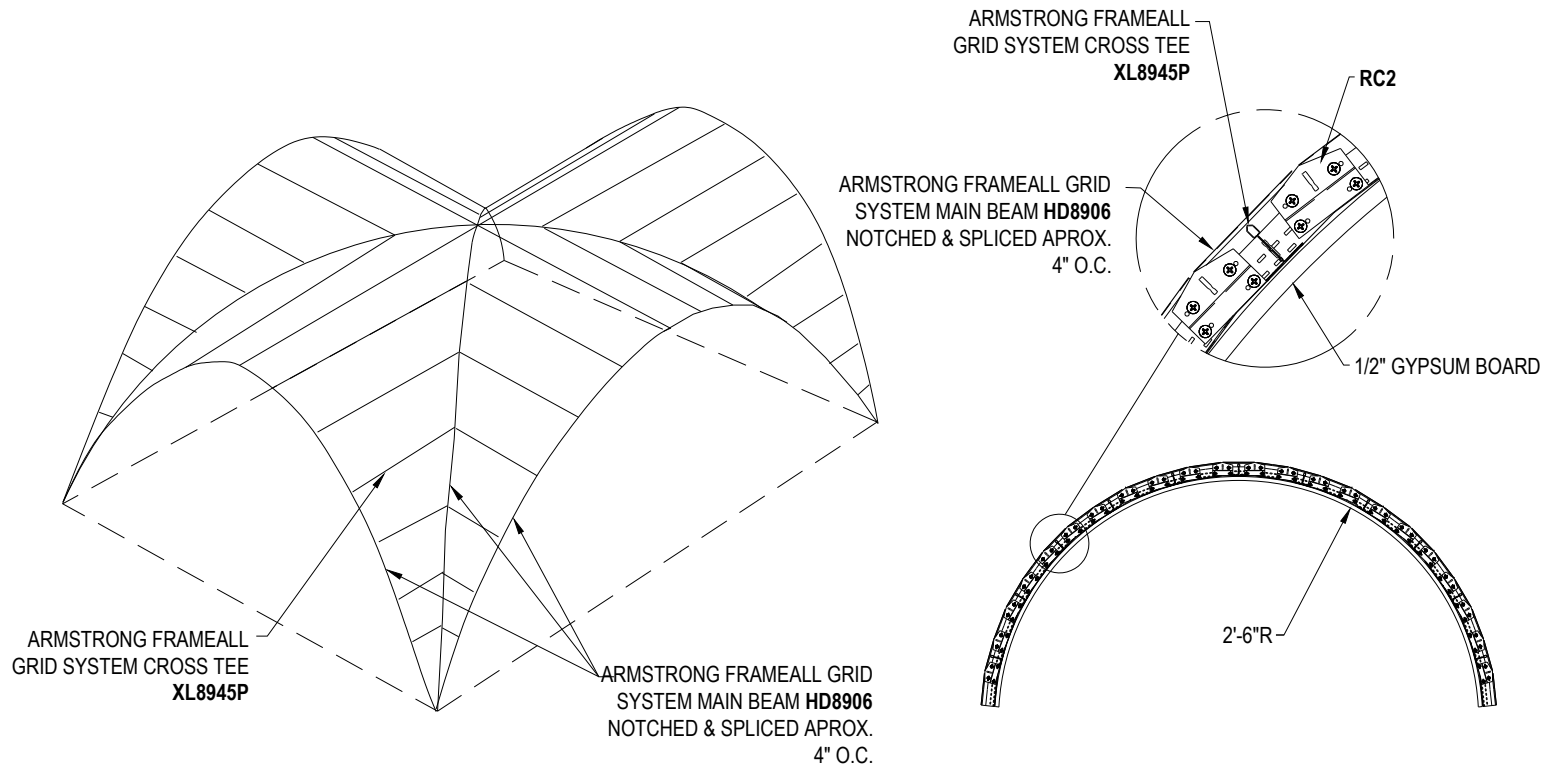
DRAWN BY: **DAG**

CHK BY: .



CEILING & WALL SOLUTIONS * ARMSTRONG WORLD INDUSTRIES, INC. * Lancaster, PA * Phone: 877-ARMSTRONG





DD-26 **TWO INTERSECTING BARREL VAULTS**

These drawings show typical conditions in which the Armstrong product depicted is installed. They are not a substitute for an architect's or engineer's plan and do not reflect the unique requirements of local building codes, laws, statutes, ordinances, rules and regulations (Legal Requirements) that may be applicable for a particular installation.

Armstrong does not warrant, and assumes no liability for the accuracy or completeness of the drawings for a particular installation or their fitness for a particular purpose. The user is advised to consult with a duly licensed architect or engineer in the particular locale of the installation to assure compliance with all Legal Requirements.

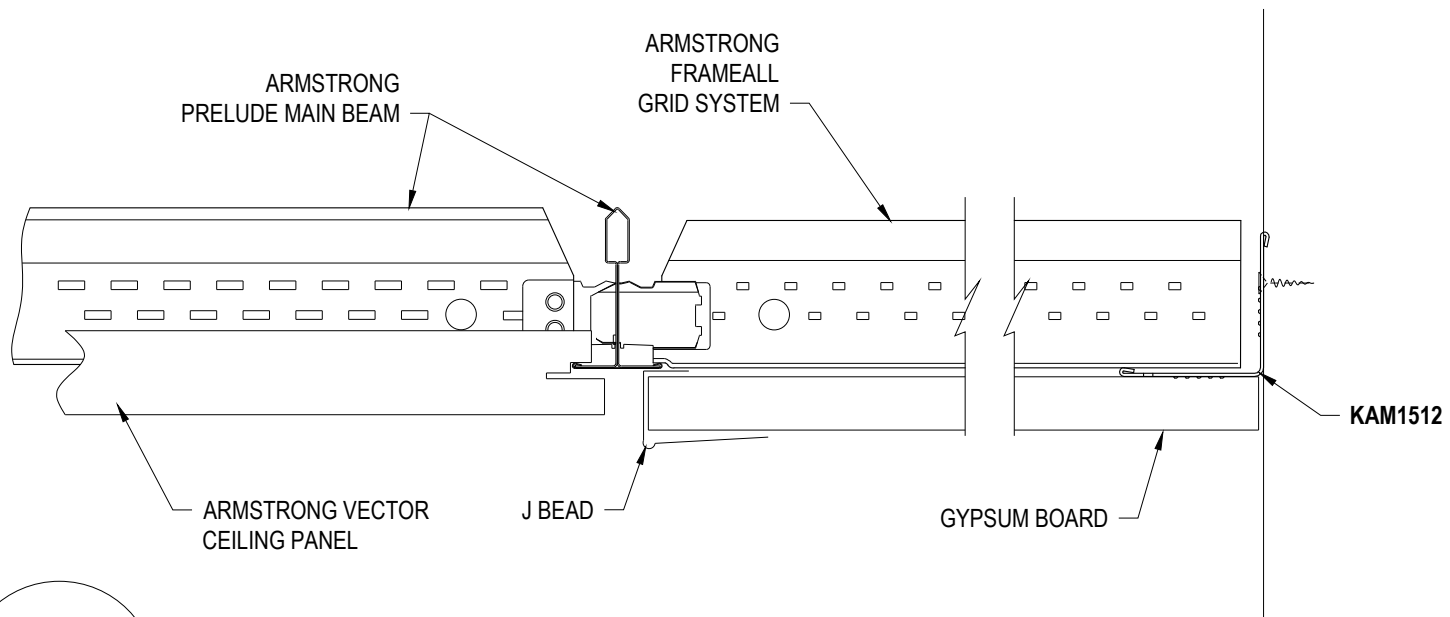
Armstrong is not licensed to provide professional architecture or engineering design services.

PROJECT NAME: FRAMEALL GRID SYSTEM MASTER SHEET			
TWO INTERSECTING BARRREL VAULTS			
DWG. NO. A-F004-DD-26		REV: .	DATE: .
DATE: 6/27/24	SCALE: 1/2"=1'-0"	DESC.: .	
DRAWN BY: DAG	CHK BY: .		



CEILING & WALL SOLUTIONS * ARMSTRONG WORLD INDUSTRIES, INC. * Lancaster, PA * Phone: 877-ARMSTRONG





DD-27 FLUSH DRYWALL PERIMETER WITH VECTOR PANEL

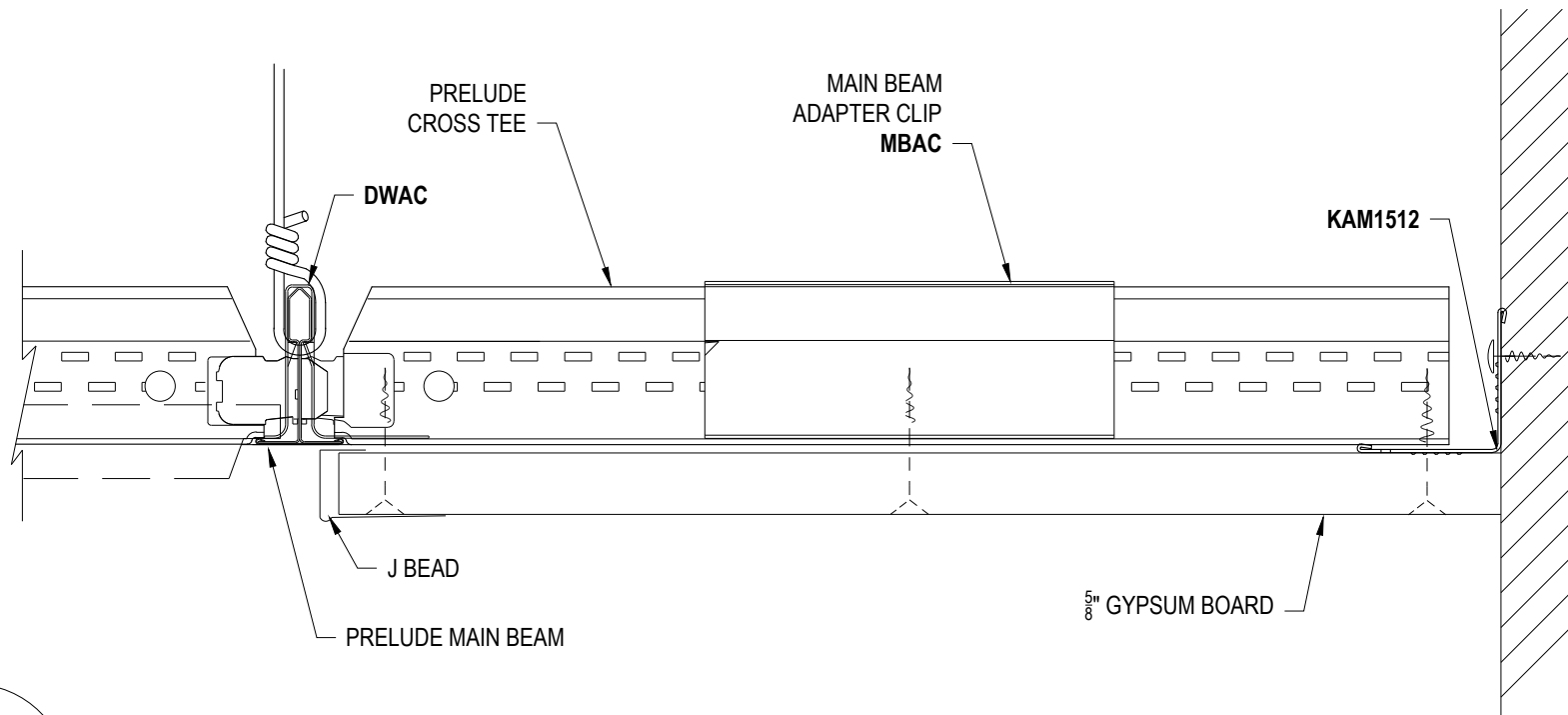
These drawings show typical conditions in which the Armstrong product depicted is installed. They are not a substitute for an architect's or engineer's plan and do not reflect the unique requirements of local building codes, laws, statutes, ordinances, rules and regulations (Legal Requirements) that may be applicable for a particular installation.

Armstrong does not warrant, and assumes no liability for the accuracy or completeness of the drawings for a particular installation or their fitness for a particular purpose. The user is advised to consult with a duly licensed architect or engineer in the particular locale of the installation to assure compliance with all Legal Requirements.

Armstrong is not licensed to provide professional architecture or engineering design services.

PROJECT NAME: FRAMEALL GRID SYSTEM MASTER SHEET
FLUSH DRYWALL PERIMETER WITH VECTOR PANEL

DWG. NO. A-F004-DD-27		REV: .	DATE: .
DATE: 6/27/24	SCALE: 6"=1'-0"	DESC.: .	
DRAWN BY: DAG	CHK BY: .		



DD-28

DRYWALL PERIMETER ACOUSTICAL TO DRYWALL SURROUND

These drawings show typical conditions in which the Armstrong product depicted is installed. They are not a substitute for an architect's or engineer's plan and do not reflect the unique requirements of local building codes, laws, statutes, ordinances, rules and regulations (Legal Requirements) that may be applicable for a particular installation.

Armstrong does not warrant, and assumes no liability for the accuracy or completeness of the drawings for a particular installation or their fitness for a particular purpose. The user is advised to consult with a duly licensed architect or engineer in the particular locale of the installation to assure compliance with all Legal Requirements.

Armstrong is not licensed to provide professional architecture or engineering design services.

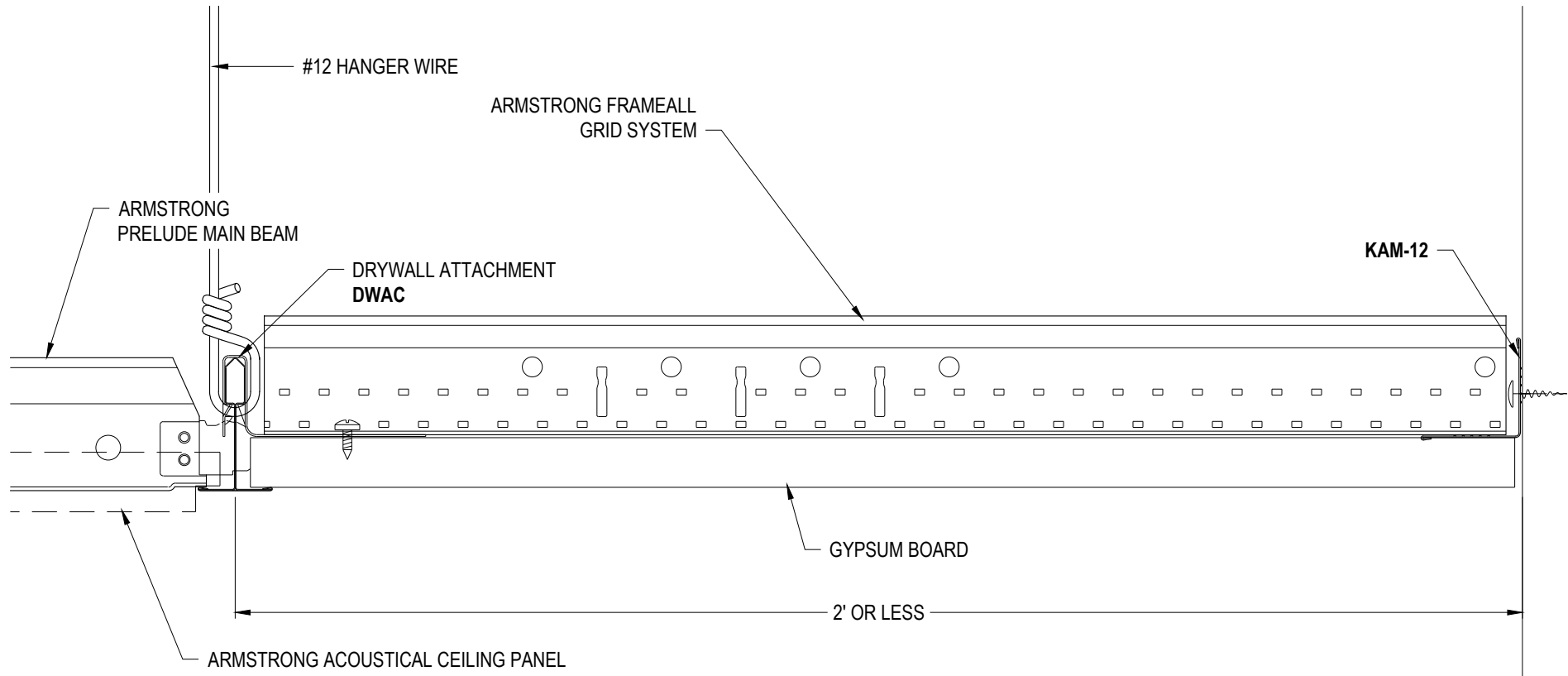
PROJECT NAME: FRAMEALL GRID SYSTEM MASTER SHEET
 DRYWALL PERIMETER ACOUSTICAL TO DRYWALL SURROUND

DWG. NO. A-F004-DD-28		REV: .	DATE: .
DATE: 6/27/24	SCALE: 6"=1'-0"	DESC.: .	
DRAWN BY: DAG	CHK BY: .		



CEILING & WALL SOLUTIONS * ARMSTRONG WORLD INDUSTRIES, INC. * Lancaster, PA * Phone: 877-ARMSTRONG





DD-29

DRYWALL PERIMETER 2' WIDE OR LESS

These drawings show typical conditions in which the Armstrong product depicted is installed. They are not a substitute for an architect's or engineer's plan and do not reflect the unique requirements of local building codes, laws, statutes, ordinances, rules and regulations (Legal Requirements) that may be applicable for a particular installation.

Armstrong does not warrant, and assumes no liability for the accuracy or completeness of the drawings for a particular installation or their fitness for a particular purpose. The user is advised to consult with a duly licensed architect or engineer in the particular locale of the installation to assure compliance with all Legal Requirements.

Armstrong is not licensed to provide professional architecture or engineering design services.

PROJECT NAME: **FRAMEALL GRID SYSTEM MASTER SHEET
DRYWALL PERIMETER 2' WIDE OR LESS**

DWG. NO. **A-F004-DD-29** REV: . DATE: .

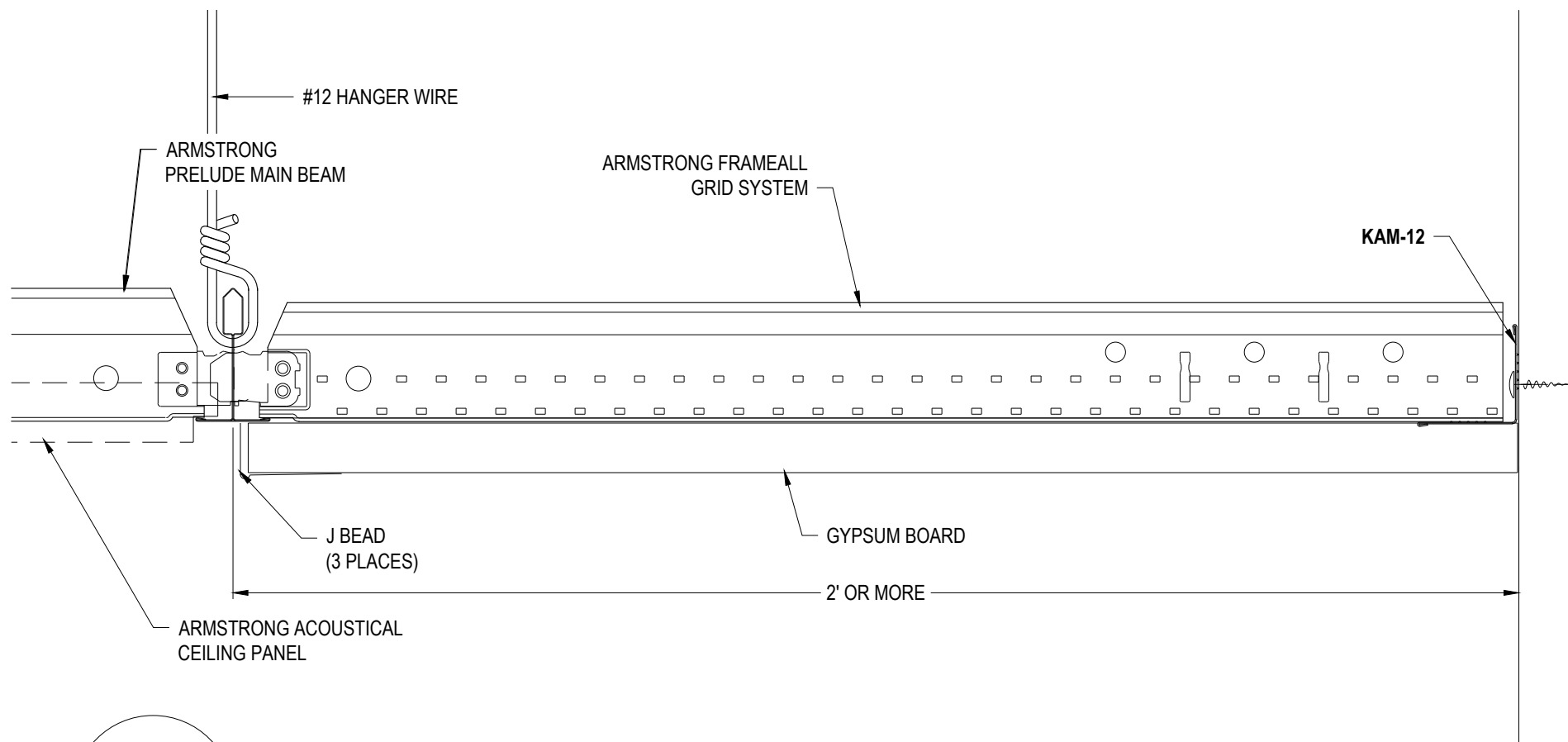
DATE: **6/27/24** SCALE: **6"=1'-0"** DESC.: .

DRAWN BY: **DAG** CHK BY: .



CEILING & WALL SOLUTIONS * ARMSTRONG WORLD INDUSTRIES, INC. * Lancaster, PA * Phone: 877-ARMSTRONG





DD-30

DRYWALL PERIMETER 2' WIDE OR MORE

These drawings show typical conditions in which the Armstrong product depicted is installed. They are not a substitute for an architect's or engineer's plan and do not reflect the unique requirements of local building codes, laws, statutes, ordinances, rules and regulations (Legal Requirements) that may be applicable for a particular installation.

Armstrong does not warrant, and assumes no liability for the accuracy or completeness of the drawings for a particular installation or their fitness for a particular purpose. The user is advised to consult with a duly licensed architect or engineer in the particular locale of the installation to assure compliance with all Legal Requirements.

Armstrong is not licensed to provide professional architecture or engineering design services.

PROJECT NAME: **FRAMEALL GRID SYSTEM MASTER SHEET
DRYWALL PERIMETER 2' WIDE OR MORE**

DWG. NO. **A-F004-DD-30**

REV: . DATE: .

DATE: **6/27/24**

SCALE: **6"=1'-0"**

DESC.: .

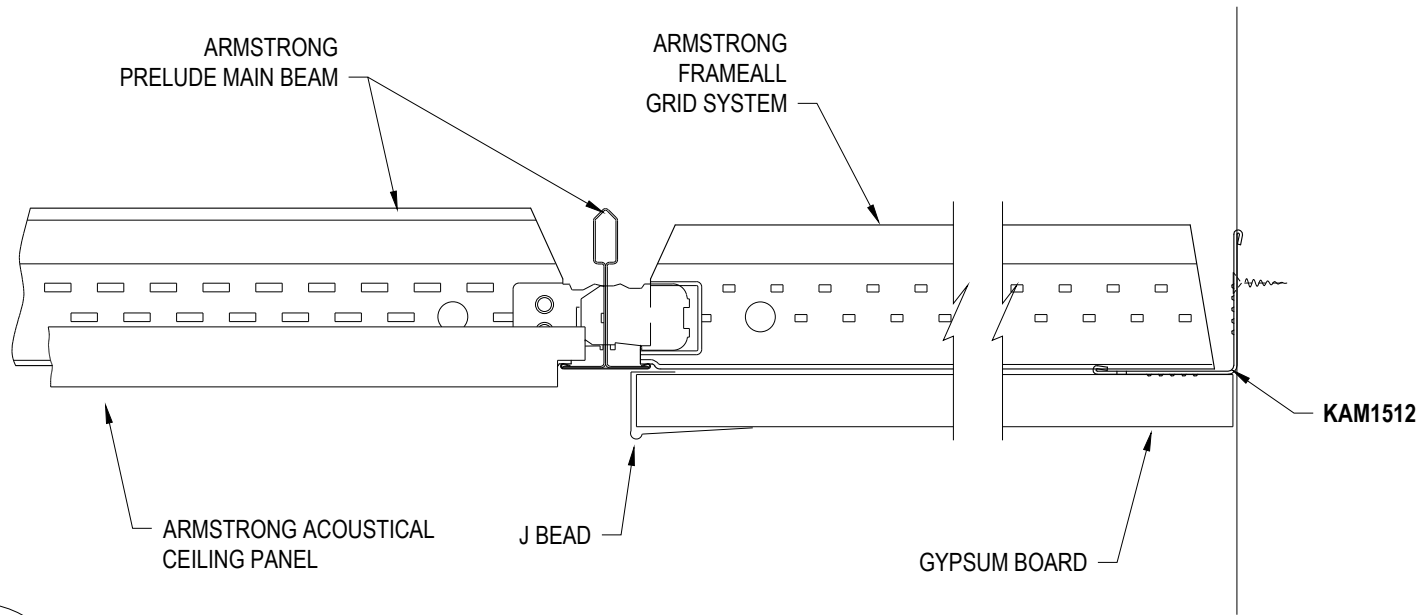
DRAWN BY: **DAG**

CHK BY: .



CEILING & WALL SOLUTIONS * ARMSTRONG WORLD INDUSTRIES, INC. * Lancaster, PA * Phone: 877-ARMSTRONG





DD-31 FLUSH DRYWALL PERIMETER WITH TEGULAR PANEL

These drawings show typical conditions in which the Armstrong product depicted is installed. They are not a substitute for an architect's or engineer's plan and do not reflect the unique requirements of local building codes, laws, statutes, ordinances, rules and regulations (Legal Requirements) that may be applicable for a particular installation.

Armstrong does not warrant, and assumes no liability for the accuracy or completeness of the drawings for a particular installation or their fitness for a particular purpose. The user is advised to consult with a duly licensed architect or engineer in the particular locale of the installation to assure compliance with all Legal Requirements.

Armstrong is not licensed to provide professional architecture or engineering design services.

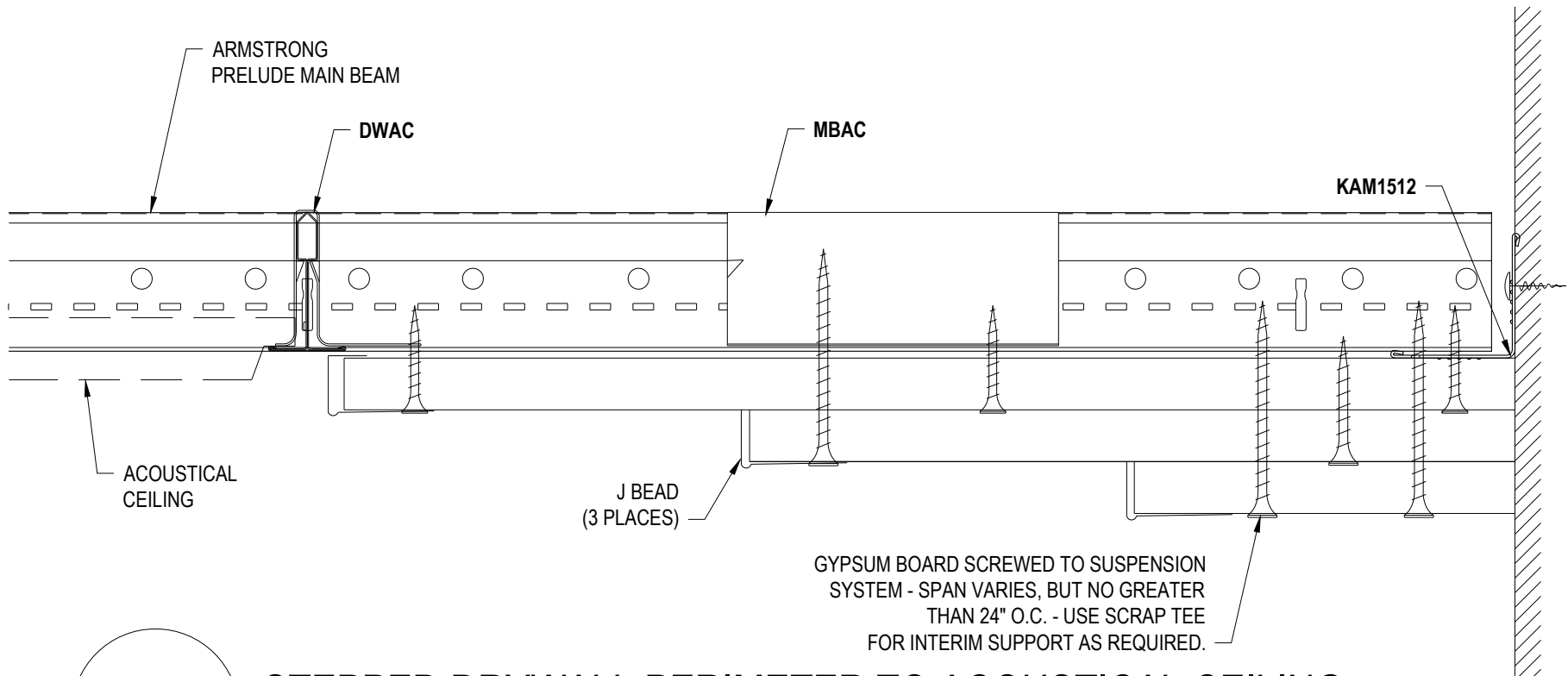
PROJECT NAME: FRAMEALL GRID SYSTEM MASTER SHEET
 FLUSH DRYWALL PERIMETER WITH TEGULAR PANEL

DWG. NO. A-F004-DD-31		REV: .	DATE: .
DATE: 6/28/24	SCALE: 6"=1'-0"	DESC.: .	
DRAWN BY: DAG	CHK BY: .		



CEILING & WALL SOLUTIONS * ARMSTRONG WORLD INDUSTRIES, INC. * Lancaster, PA * Phone: 877-ARMSTRONG





DD-32

STEPPED DRYWALL PERIMETER TO ACOUSTICAL CEILING

These drawings show typical conditions in which the Armstrong product depicted is installed. They are not a substitute for an architect's or engineer's plan and do not reflect the unique requirements of local building codes, laws, statutes, ordinances, rules and regulations (Legal Requirements) that may be applicable for a particular installation.

Armstrong does not warrant, and assumes no liability for the accuracy or completeness of the drawings for a particular installation or their fitness for a particular purpose. The user is advised to consult with a duly licensed architect or engineer in the particular locale of the installation to assure compliance with all Legal Requirements.

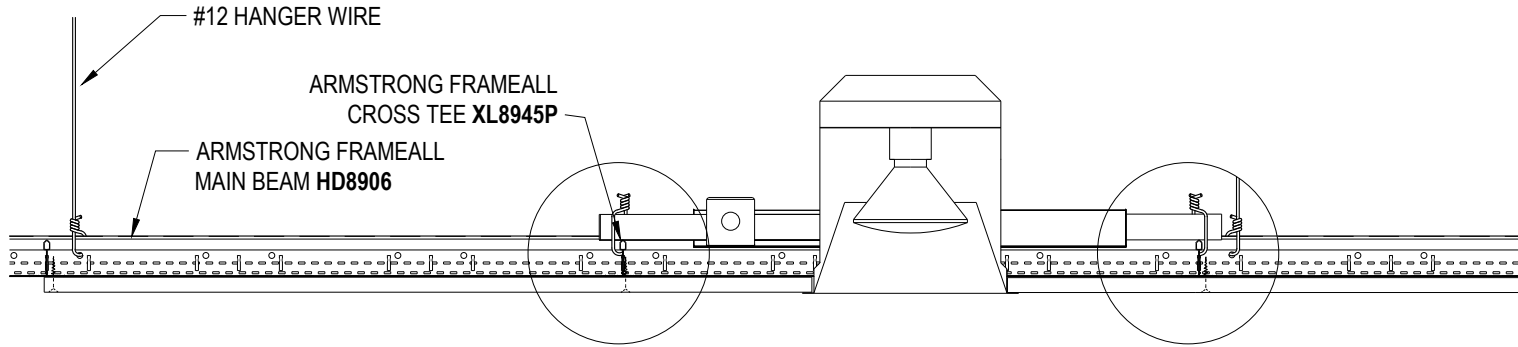
Armstrong is not licensed to provide professional architecture or engineering design services.

PROJECT NAME: FRAMEALL GRID SYSTEM MASTER SHEET			
STEPPED DRYWALL PERIMETER TO ACOUSTICAL CEILING			
DWG. NO. A-F004-DD-32		REV: .	DATE: .
DATE: 6/28/24	SCALE: 6"=1'-0"	DESC.: .	
DRAWN BY: DAG	CHK BY: .		



CEILING & WALL SOLUTIONS * ARMSTRONG WORLD INDUSTRIES, INC. * Lancaster, PA * Phone: 877-ARMSTRONG





INCANDESCENT
FIXTURE OUTRIGGER

ARMSTRONG FRAMEALL
CROSS TEE XL8945P

ARMSTRONG FRAMEALL
MAIN BEAM HD8906

GYPSUM BOARD

HANGER WIRE

DRYWALL SCREW

DD-33

HIGH HAT FIXTURE IN DRYWALL CEILING

These drawings show typical conditions in which the Armstrong product depicted is installed. They are not a substitute for an architect's or engineer's plan and do not reflect the unique requirements of local building codes, laws, statutes, ordinances, rules and regulations (Legal Requirements) that may be applicable for a particular installation.

Armstrong does not warrant, and assumes no liability for the accuracy or completeness of the drawings for a particular installation or their fitness for a particular purpose. The user is advised to consult with a duly licensed architect or engineer in the particular locale of the installation to assure compliance with all Legal Requirements.

Armstrong is not licensed to provide professional architecture or engineering design services.

PROJECT NAME: FRAMEALL GRID SYSTEM MASTER SHEET
HIGH HAT FIXTURE IN DRYWALL CEILING

DWG. NO. A-F004-DD-33

REV: . DATE: .

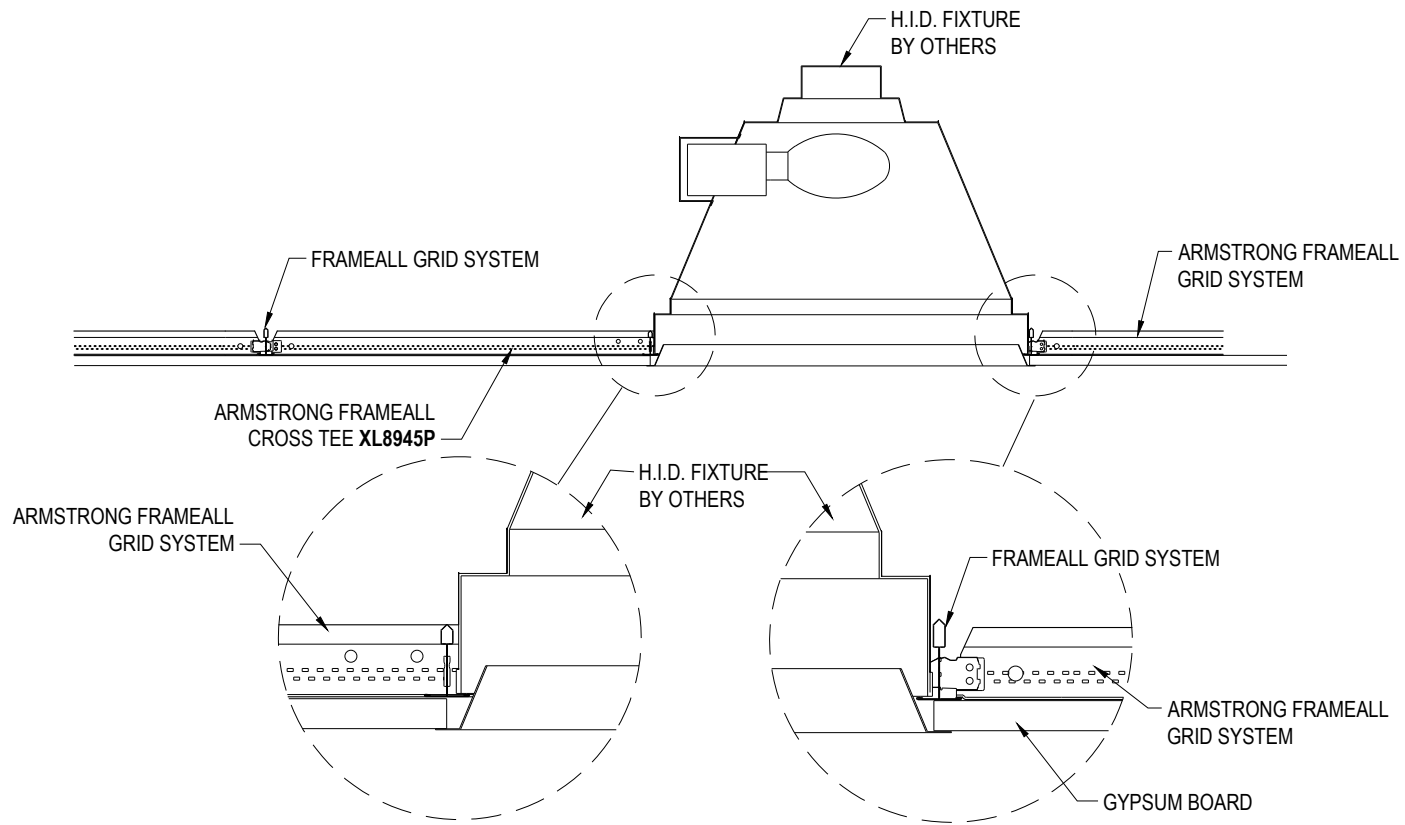
DATE: 6/28/24

SCALE: 1-1/2"=1'-0"

DESC.: .

DRAWN BY: DAG

CHK BY: .



DD-34 HID FIXTURE IN DRYWALL CEILING

These drawings show typical conditions in which the Armstrong product depicted is installed. They are not a substitute for an architect's or engineer's plan and do not reflect the unique requirements of local building codes, laws, statutes, ordinances, rules and regulations (Legal Requirements) that may be applicable for a particular installation.

Armstrong does not warrant, and assumes no liability for the accuracy or completeness of the drawings for a particular installation or their fitness for a particular purpose. The user is advised to consult with a duly licensed architect or engineer in the particular locale of the installation to assure compliance with all Legal Requirements.

Armstrong is not licensed to provide professional architecture or engineering design services.

PROJECT NAME: **FRAMEALL GRID SYSTEM MASTER SHEET
HID FIXTURE IN DRYWALL CEILING**

DWG. NO. **A-F004-DD-34**

REV: . DATE: .

DATE: **6/28/24**

SCALE: **1"=1'-0"**

DESC.: .

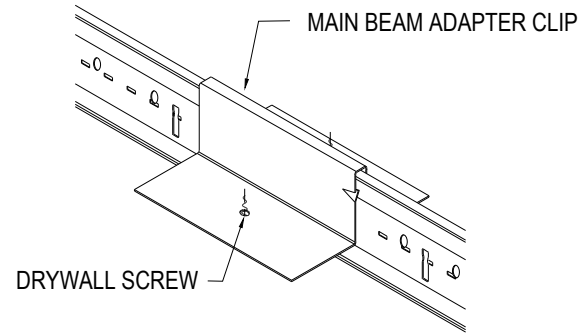
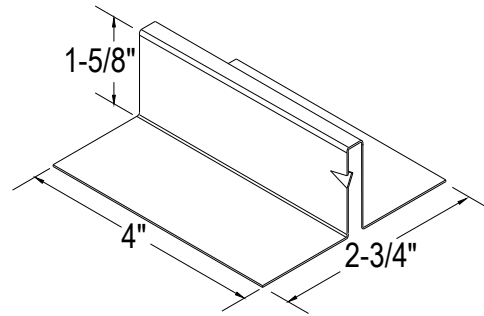
DRAWN BY: **DAG**

CHK BY: .



CEILING & WALL SOLUTIONS * ARMSTRONG WORLD INDUSTRIES, INC. * Lancaster, PA * Phone: 877-ARMSTRONG





**ITEM MBAC
MAIN BEAM ADAPTER CLIP**

DD-35 ITEM MBAC DRYWALL ATTACHMENT CLIP

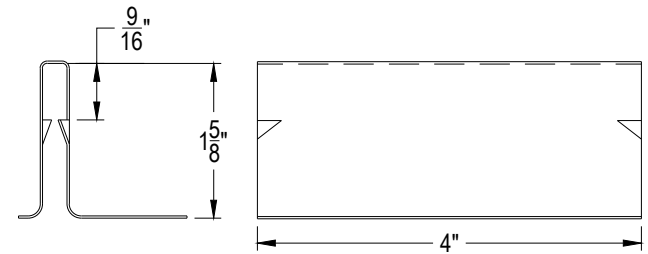
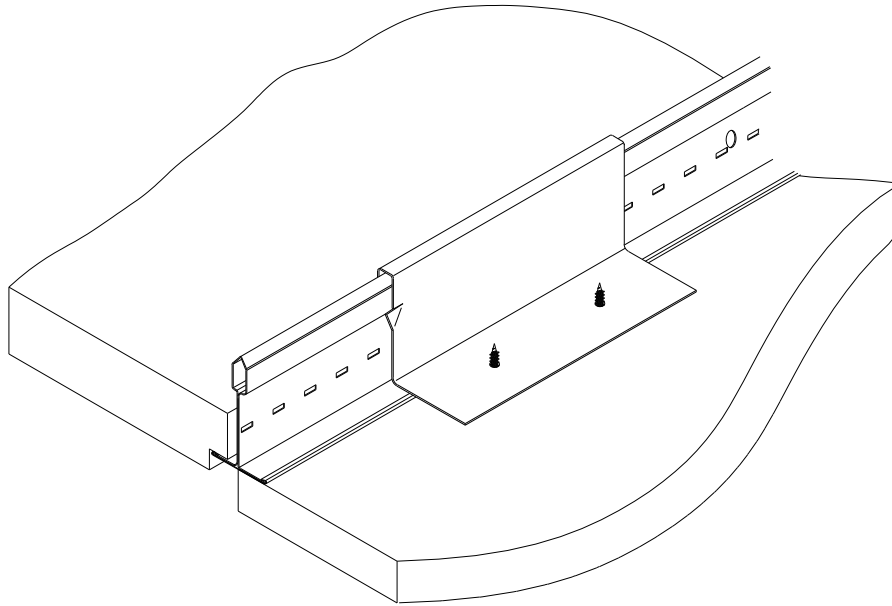
These drawings show typical conditions in which the Armstrong product depicted is installed. They are not a substitute for an architect's or engineer's plan and do not reflect the unique requirements of local building codes, laws, statutes, ordinances, rules and regulations (Legal Requirements) that may be applicable for a particular installation.

Armstrong does not warrant, and assumes no liability for the accuracy or completeness of the drawings for a particular installation or their fitness for a particular purpose. The user is advised to consult with a duly licensed architect or engineer in the particular locale of the installation to assure compliance with all Legal Requirements.

Armstrong is not licensed to provide professional architecture or engineering design services.

**PROJECT NAME: FRAMEALL GRID SYSTEM MASTER SHEET
ITEM MBAC DRYWALL ATTACHMENT CLIP**

DWG. NO. A-F004-DD-35		REV: .	DATE: .
DATE: 6/28/24	SCALE: 3"=1'-0"	DESC.: .	
DRAWN BY: DAG	CHK BY: .		



DD-36 DWACS DRYWALL ATTACHMENT CLIP

These drawings show typical conditions in which the Armstrong product depicted is installed. They are not a substitute for an architect's or engineer's plan and do not reflect the unique requirements of local building codes, laws, statutes, ordinances, rules and regulations (Legal Requirements) that may be applicable for a particular installation.

Armstrong does not warrant, and assumes no liability for the accuracy or completeness of the drawings for a particular installation or their fitness for a particular purpose. The user is advised to consult with a duly licensed architect or engineer in the particular locale of the installation to assure compliance with all Legal Requirements.

Armstrong is not licensed to provide professional architecture or engineering design services.

PROJECT NAME: **FRAMEALL GRID SYSTEM MASTER SHEET**
DWACS DRYWALL ATTACHMENT CLIP

DWG. NO. **A-F004-DD-36**

REV: . DATE: .

DATE: **6/28/24**

SCALE: **6"=1'-0"**

DESC.: .

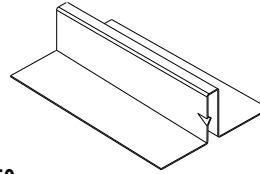
DRAWN BY: **DAG**

CHK BY: .

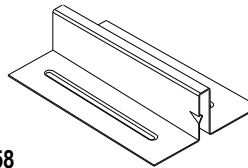


CEILING & WALL SOLUTIONS * ARMSTRONG WORLD INDUSTRIES, INC. * Lancaster, PA * Phone: 877-ARMSTRONG

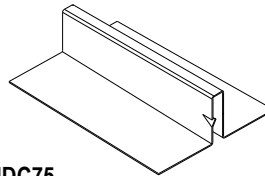




EHDC50



EHDC58



EHDC75

DD-37 EXTERIOR HOLD DOWN CLIP

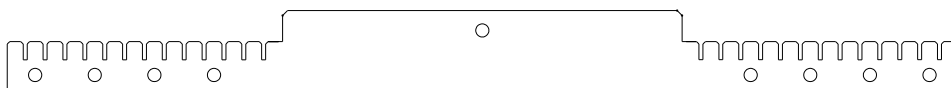
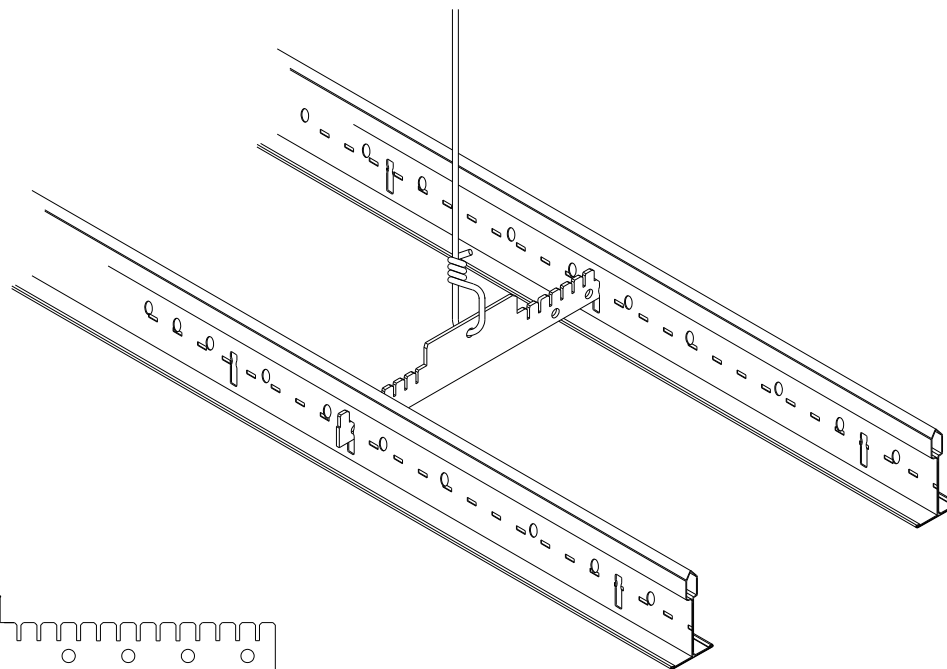
These drawings show typical conditions in which the Armstrong product depicted is installed. They are not a substitute for an architect's or engineer's plan and do not reflect the unique requirements of local building codes, laws, statutes, ordinances, rules and regulations (Legal Requirements) that may be applicable for a particular installation.

Armstrong does not warrant, and assumes no liability for the accuracy or completeness of the drawings for a particular installation or their fitness for a particular purpose. The user is advised to consult with a duly licensed architect or engineer in the particular locale of the installation to assure compliance with all Legal Requirements.

Armstrong is not licensed to provide professional architecture or engineering design services.

PROJECT NAME: **FRAMEALL GRID SYSTEM MASTER SHEET**
EXTERIOR HOLD DOWN CLIP

DWG. NO. A-F004-DD-37		REV: .	DATE: .
DATE: 6/28/24	SCALE: 6"=1'-0"	DESC.: .	
DRAWN BY: DAG	CHK BY: .		



DD-38 **ITEM GSC9, GSC12 AND GSC16**
ADJUSTABLE GRID SPACER CLIP

These drawings show typical conditions in which the Armstrong product depicted is installed. They are not a substitute for an architect's or engineer's plan and do not reflect the unique requirements of local building codes, laws, statutes, ordinances, rules and regulations (Legal Requirements) that may be applicable for a particular installation.

Armstrong does not warrant, and assumes no liability for the accuracy or completeness of the drawings for a particular installation or their fitness for a particular purpose. The user is advised to consult with a duly licensed architect or engineer in the particular locale of the installation to assure compliance with all Legal Requirements.

Armstrong is not licensed to provide professional architecture or engineering design services.

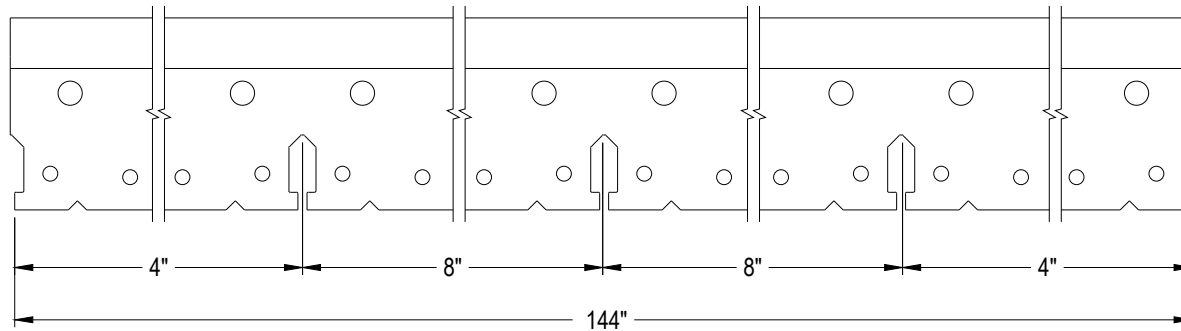
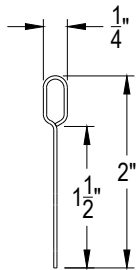
PROJECT NAME: FRAMEALL GRID SYSTEM MASTER SHEET
ADJUSTABLE GRID SPACER CLIP

DWG. NO. A-F004-DD-38		REV: .	DATE: .
DATE: 6/28/24	SCALE: 1'-0"=1'-0"	DESC.: .	
DRAWN BY: DAG	CHK BY: .		



CEILING & WALL SOLUTIONS * ARMSTRONG WORLD INDUSTRIES, INC. * Lancaster, PA * Phone: 877-ARMSTRONG





SB12P
STRONGBACK

DD-39

These drawings show typical conditions in which the Armstrong product depicted is installed. They are not a substitute for an architect's or engineer's plan and do not reflect the unique requirements of local building codes, laws, statutes, ordinances, rules and regulations (Legal Requirements) that may be applicable for a particular installation.

Armstrong does not warrant, and assumes no liability for the accuracy or completeness of the drawings for a particular installation or their fitness for a particular purpose. The user is advised to consult with a duly licensed architect or engineer in the particular locale of the installation to assure compliance with all Legal Requirements.

Armstrong is not licensed to provide professional architecture or engineering design services.

**PROJECT NAME: FRAMEALL GRID SYSTEM MASTER SHEET
SB12P STRONGBACK**

DWG. NO. **A-F004-DD-39**

REV: . DATE: .

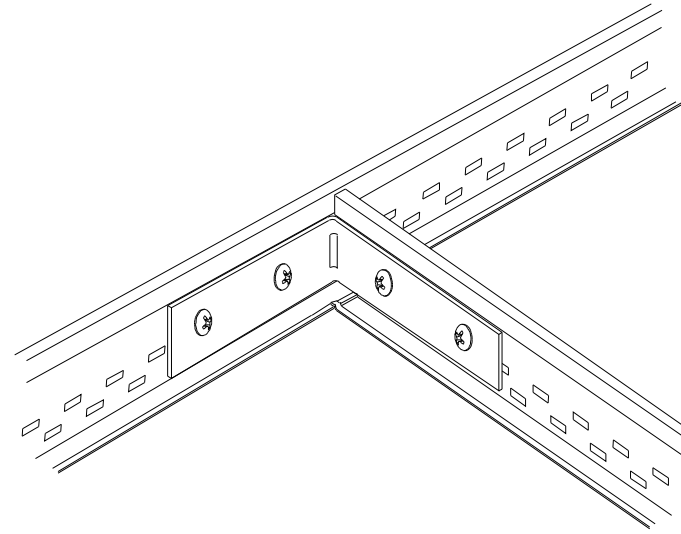
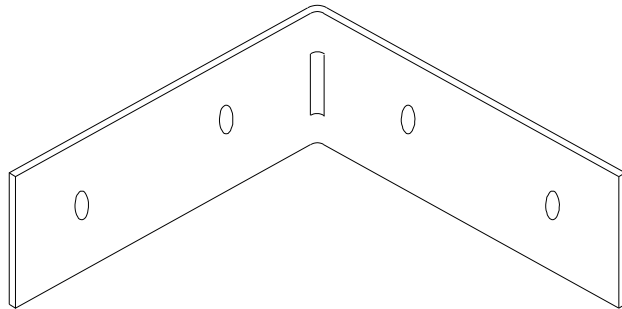
DATE: **6/28/24**

SCALE: **6"=1'-0"**

DESC.: .

DRAWN BY: **DAG**

CHK BY: .



DD-40 ITEM XTAC CROSS TEE ADAPTER CLIP

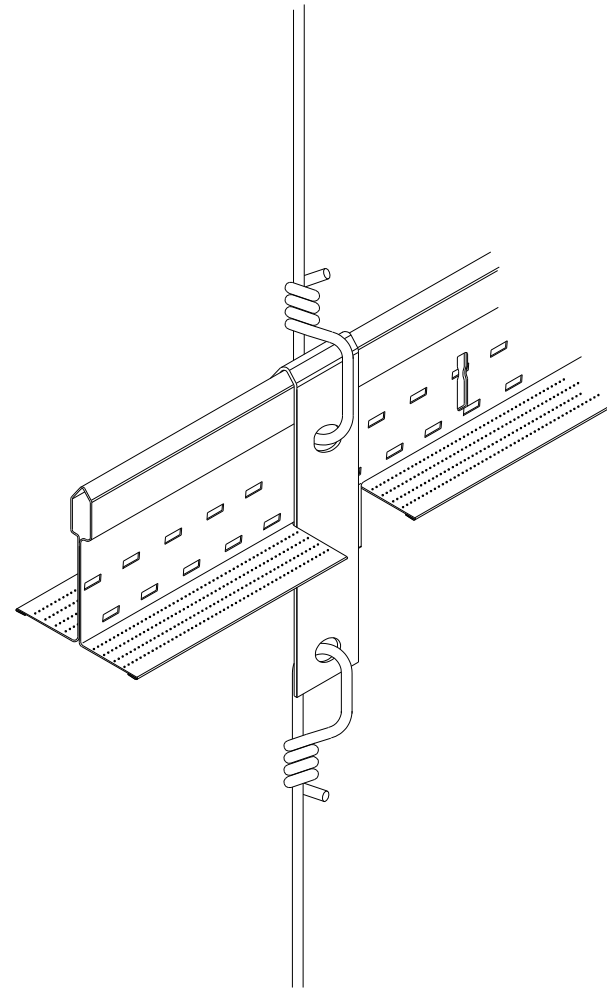
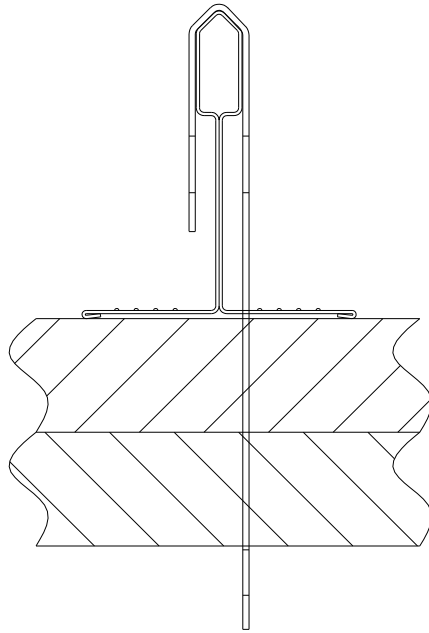
These drawings show typical conditions in which the Armstrong product depicted is installed. They are not a substitute for an architect's or engineer's plan and do not reflect the unique requirements of local building codes, laws, statutes, ordinances, rules and regulations (Legal Requirements) that may be applicable for a particular installation.

Armstrong does not warrant, and assumes no liability for the accuracy or completeness of the drawings for a particular installation or their fitness for a particular purpose. The user is advised to consult with a duly licensed architect or engineer in the particular locale of the installation to assure compliance with all Legal Requirements.

Armstrong is not licensed to provide professional architecture or engineering design services.

PROJECT NAME: FRAMEALL GRID SYSTEM MASTER SHEET
ITEM XTAC CROSS TEE ADAPTER CLIP

DWG. NO. A-F004-DD-40		REV: .	DATE: .
DATE: 6/28/24	SCALE: 1'-0"=1'-0"	DESC.: .	
DRAWN BY: DAG	CHK BY: .		



DD-41

DDC DOUBLE DRYWALL CLIP

These drawings show typical conditions in which the Armstrong product depicted is installed. They are not a substitute for an architect's or engineer's plan and do not reflect the unique requirements of local building codes, laws, statutes, ordinances, rules and regulations (Legal Requirements) that may be applicable for a particular installation.

Armstrong does not warrant, and assumes no liability for the accuracy or completeness of the drawings for a particular installation or their fitness for a particular purpose. The user is advised to consult with a duly licensed architect or engineer in the particular locale of the installation to assure compliance with all Legal Requirements.

Armstrong is not licensed to provide professional architecture or engineering design services.

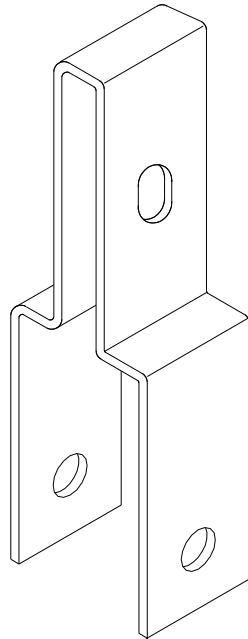
PROJECT NAME: **FRAMEALL GRID SYSTEM MASTER SHEET**
DDC DOUBLE DRYWALL CLIP

DWG. NO. A-F004-DD-41		REV: .	DATE: .
DATE: 6/28/24	SCALE: 1'-0"=1'-0"	DESC.: .	
DRAWN BY: DAG	CHK BY: .		

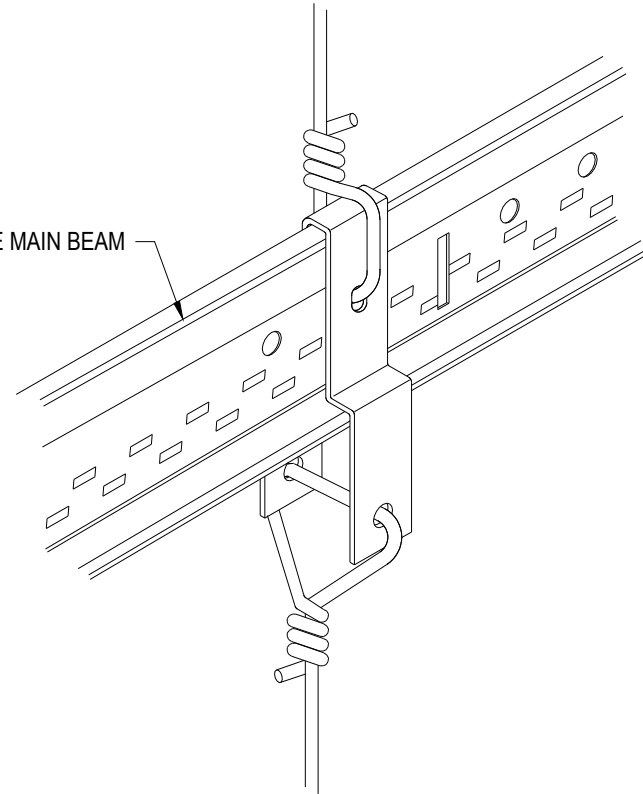


CEILING & WALL SOLUTIONS * ARMSTRONG WORLD INDUSTRIES, INC. * Lancaster, PA * Phone: 877-ARMSTRONG





PRELUDE MAIN BEAM



DD-42 ITEM DLCC DIRECT LOAD CEILING CLIP

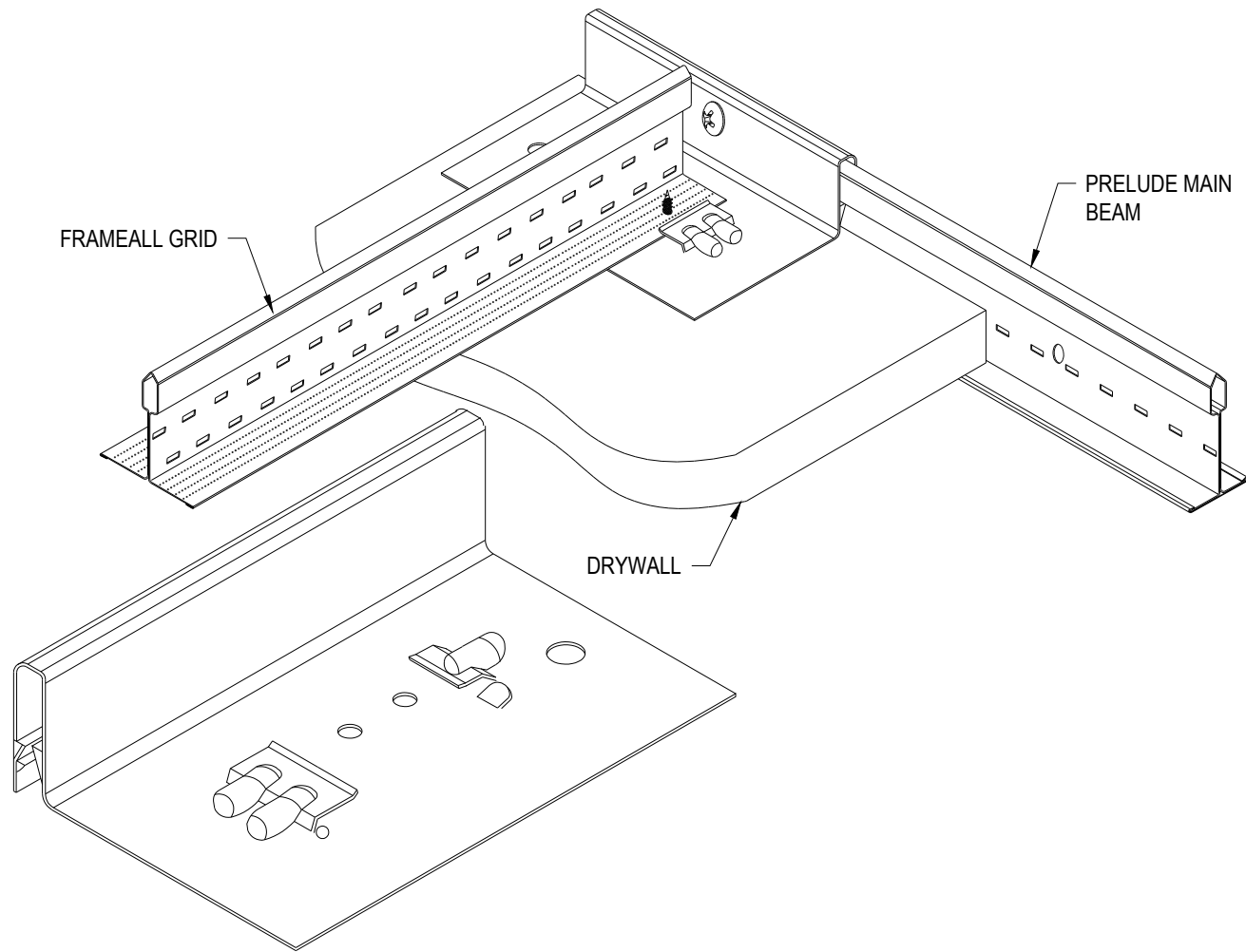
These drawings show typical conditions in which the Armstrong product depicted is installed. They are not a substitute for an architect's or engineer's plan and do not reflect the unique requirements of local building codes, laws, statutes, ordinances, rules and regulations (Legal Requirements) that may be applicable for a particular installation.

Armstrong does not warrant, and assumes no liability for the accuracy or completeness of the drawings for a particular installation or their fitness for a particular purpose. The user is advised to consult with a duly licensed architect or engineer in the particular locale of the installation to assure compliance with all Legal Requirements.

Armstrong is not licensed to provide professional architecture or engineering design services.

PROJECT NAME: FRAMEALL GRID SYSTEM MASTER SHEET
ITEM DLCC DIRECT LOAD CEILING CLIP

DWG. NO. A-F004-DD-42		REV: .	DATE: .
DATE: 6/28/24	SCALE: 1'-0"=1'-0"	DESC.: .	
DRAWN BY: DAG	CHK BY: .		



DD-43

ITEM DW58LT AND DW50LT DRYWALL TRANSITION CLIP WITH LOCKING TABS

These drawings show typical conditions in which the Armstrong product depicted is installed. They are not a substitute for an architect's or engineer's plan and do not reflect the unique requirements of local building codes, laws, statutes, ordinances, rules and regulations (Legal Requirements) that may be applicable for a particular installation.

Armstrong does not warrant, and assumes no liability for the accuracy or completeness of the drawings for a particular installation or their fitness for a particular purpose. The user is advised to consult with a duly licensed architect or engineer in the particular locale of the installation to assure compliance with all Legal Requirements.

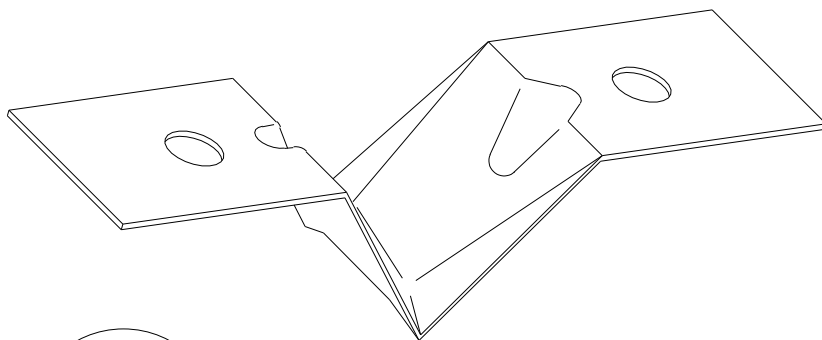
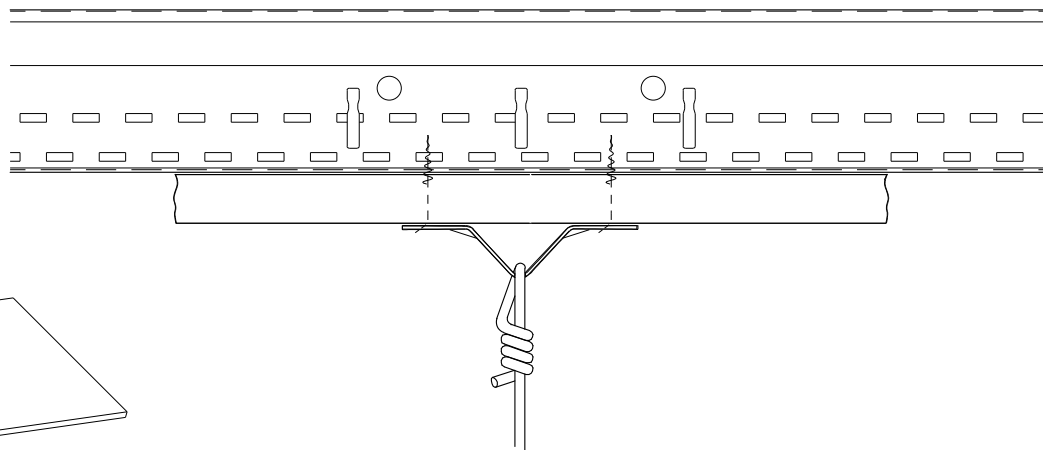
Armstrong is not licensed to provide professional architecture or engineering design services.

PROJECT NAME: FRAMEALL GRID SYSTEM MASTER SHEET			
ITEM DW58LT AND DW50LT DRYWALL TRANSITION CLIP WITH LOCKING TABS			
DWG. NO. A-F004-DD-43		REV: .	DATE: .
DATE: 6/28/24	SCALE: 1'-0"=1'-0"	DESC.: .	
DRAWN BY: DAG	CHK BY: .		



CEILING & WALL SOLUTIONS * ARMSTRONG WORLD INDUSTRIES, INC. * Lancaster, PA * Phone: 877-ARMSTRONG





DD-44 ITEM DWC DRYWALL CLIP

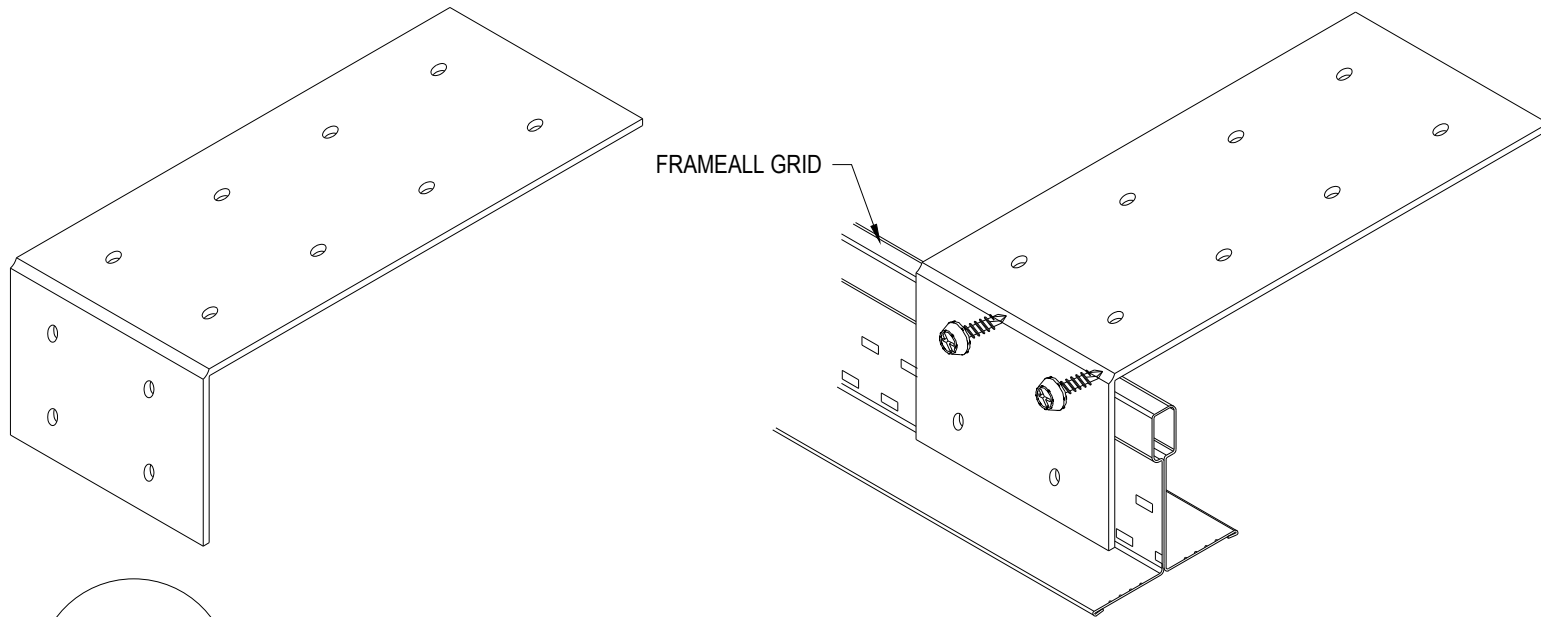
These drawings show typical conditions in which the Armstrong product depicted is installed. They are not a substitute for an architect's or engineer's plan and do not reflect the unique requirements of local building codes, laws, statutes, ordinances, rules and regulations (Legal Requirements) that may be applicable for a particular installation.

Armstrong does not warrant, and assumes no liability for the accuracy or completeness of the drawings for a particular installation or their fitness for a particular purpose. The user is advised to consult with a duly licensed architect or engineer in the particular locale of the installation to assure compliance with all Legal Requirements.

Armstrong is not licensed to provide professional architecture or engineering design services.

PROJECT NAME: FRAMEALL GRID SYSTEM MASTER SHEET
ITEM DWC DRYWALL CLIP

DWG. NO. A-F004-DD-44		REV: .	DATE: .
DATE: 6/28/24	SCALE: 1'-0"=1'-0"	DESC.: .	
DRAWN BY: DAG	CHK BY: .		



DD-45

ITEM QSUTC QUIKSTIX UPTIGHT CLIP

These drawings show typical conditions in which the Armstrong product depicted is installed. They are not a substitute for an architect's or engineer's plan and do not reflect the unique requirements of local building codes, laws, statutes, ordinances, rules and regulations (Legal Requirements) that may be applicable for a particular installation.

Armstrong does not warrant, and assumes no liability for the accuracy or completeness of the drawings for a particular installation or their fitness for a particular purpose. The user is advised to consult with a duly licensed architect or engineer in the particular locale of the installation to assure compliance with all Legal Requirements.

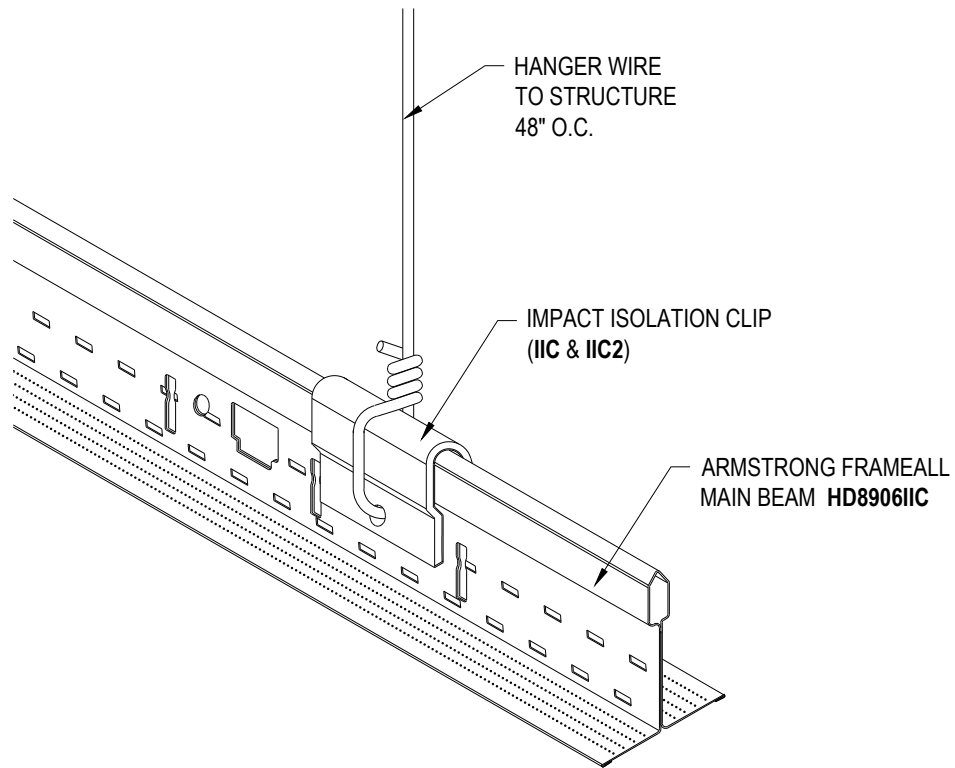
Armstrong is not licensed to provide professional architecture or engineering design services.

PROJECT NAME: FRAMEALL GRID SYSTEM MASTER SHEET			
ITEM QSUTC QUIKSTIX UPTIGHT CLIP			
DWG. NO. A-F004-DD-45		REV: .	DATE: .
DATE: 6/28/24	SCALE: 1'-0"=1'-0"	DESC.: .	
DRAWN BY: DAG	CHK BY: .		



CEILING & WALL SOLUTIONS * ARMSTRONG WORLD INDUSTRIES, INC. * Lancaster, PA * Phone: 877-ARMSTRONG





DD-46 IMPACT ISOLATION CLIP APPLICATION

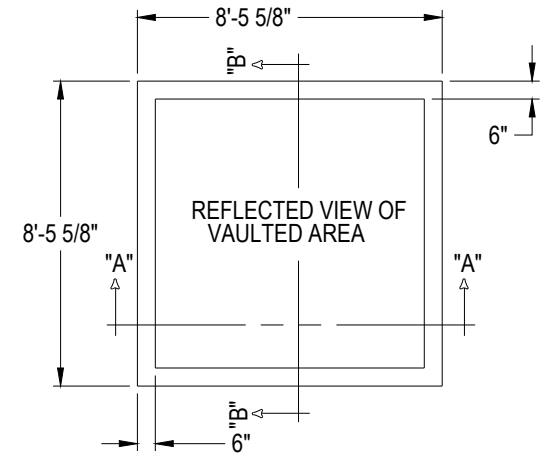
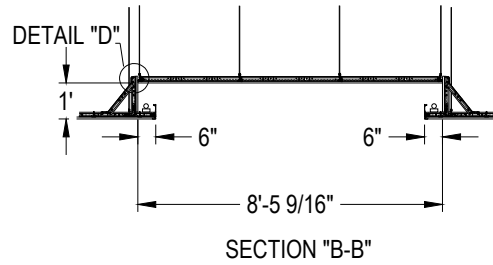
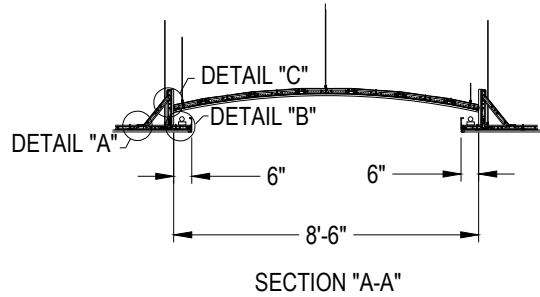
These drawings show typical conditions in which the Armstrong product depicted is installed. They are not a substitute for an architect's or engineer's plan and do not reflect the unique requirements of local building codes, laws, statutes, ordinances, rules and regulations (Legal Requirements) that may be applicable for a particular installation.

Armstrong does not warrant, and assumes no liability for the accuracy or completeness of the drawings for a particular installation or their fitness for a particular purpose. The user is advised to consult with a duly licensed architect or engineer in the particular locale of the installation to assure compliance with all Legal Requirements.

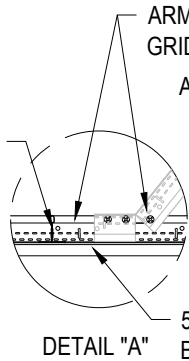
Armstrong is not licensed to provide professional architecture or engineering design services.

PROJECT NAME: FRAMEALL GRID SYSTEM MASTER SHEET
IMPACT ISOLATION CLIP APPLICATION

DWG. NO. A-F004-DD-46		REV: .	DATE: .
DATE: 6/28/24	SCALE: 6"=1'-0"	DESC.: .	
DRAWN BY: DAG	CHK BY: .		



ARMSTRONG
FRAMEALL
CROSS TEES
XL8945P
16" O.C



ARMSTRONG FRAMEALL
GRID SYSTEM

ARMSTRONG FRAMEALL
GRID SYSTEM

DW90C

5/8" GYPSUM
BOARD

DETAIL "B"

#12 HANGER WIRE 4' O.C.
OR AS REQUIRED BY CODE

5/8" GYPSUM
BOARD

LIGHT FIXTURE
(BY OTHERS)
4" AXIOM
CLASSIC TRIM

AXTBC
AXBT

ARMSTRONG FRAMEALL
GRID SYSTEM

#12 HANGER WIRE 4' O.C.
OR AS REQUIRED BY CODE

5/8" GYPSUM
BOARD

ARMSTRONG FRAMEALL
MAIN BEAM HD8906

5/8" GYPSUM
BOARD

DETAIL "C"

KAM-12

ARMSTRONG FRAMEALL
GRID SYSTEM

ARMSTRONG FRAMEALL
MAIN BEAM HD8906

ARMSTRONG FRAMEALL
CROSS TEE XL8945P

5/8" GYPSUM
BOARD

DETAIL "D"

DD-47

DRYWALL BARREL AND LIGHT COVE

These drawings show typical conditions in which the Armstrong product depicted is installed. They are not a substitute for an architect's or engineer's plan and do not reflect the unique requirements of local building codes, laws, statutes, ordinances, rules and regulations (Legal Requirements) that may be applicable for a particular installation.

Armstrong does not warrant, and assumes no liability for the accuracy or completeness of the drawings for a particular installation or their fitness for a particular purpose. The user is advised to consult with a duly licensed architect or engineer in the particular locale of the installation to assure compliance with all Legal Requirements.

Armstrong is not licensed to provide professional architecture or engineering design services.

PROJECT NAME: FRAMEALL GRID SYSTEM MASTER SHEET
DRYWALL BARREL AND LIGHT COVE

DWG. NO. A-F004-DD-47

REV: . DATE: .

DATE: 6/28/24

SCALE: 3/16"=1'-0"

DESC.: .

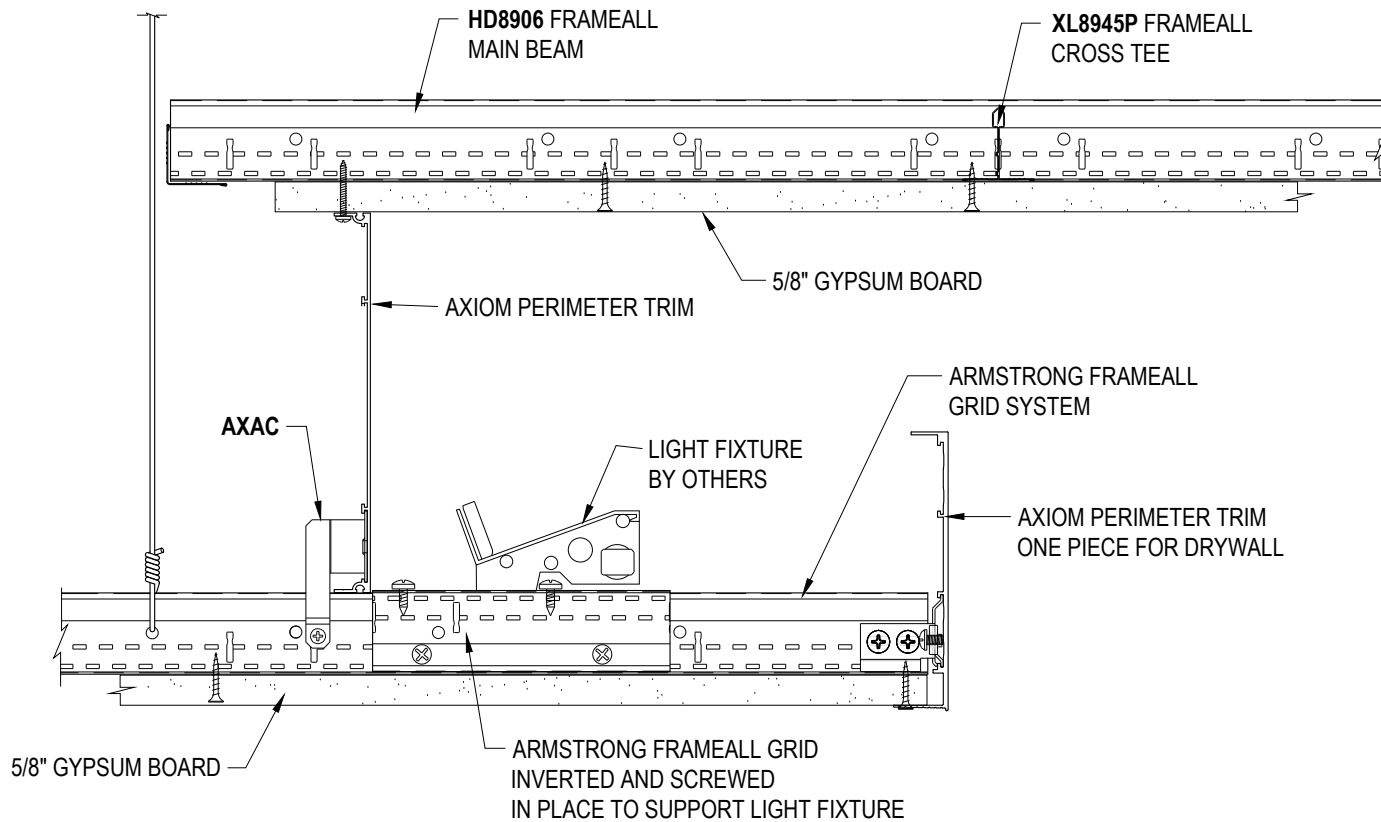
DRAWN BY: DAG

CHK BY: .

TechLine

CEILING & WALL SOLUTIONS * ARMSTRONG WORLD INDUSTRIES, INC. * Lancaster, PA * Phone: 877-ARMSTRONG

Armstrong
World Industries



DD-48 AXIOM LIGHT COVE DRYWALL TO DRYWALL

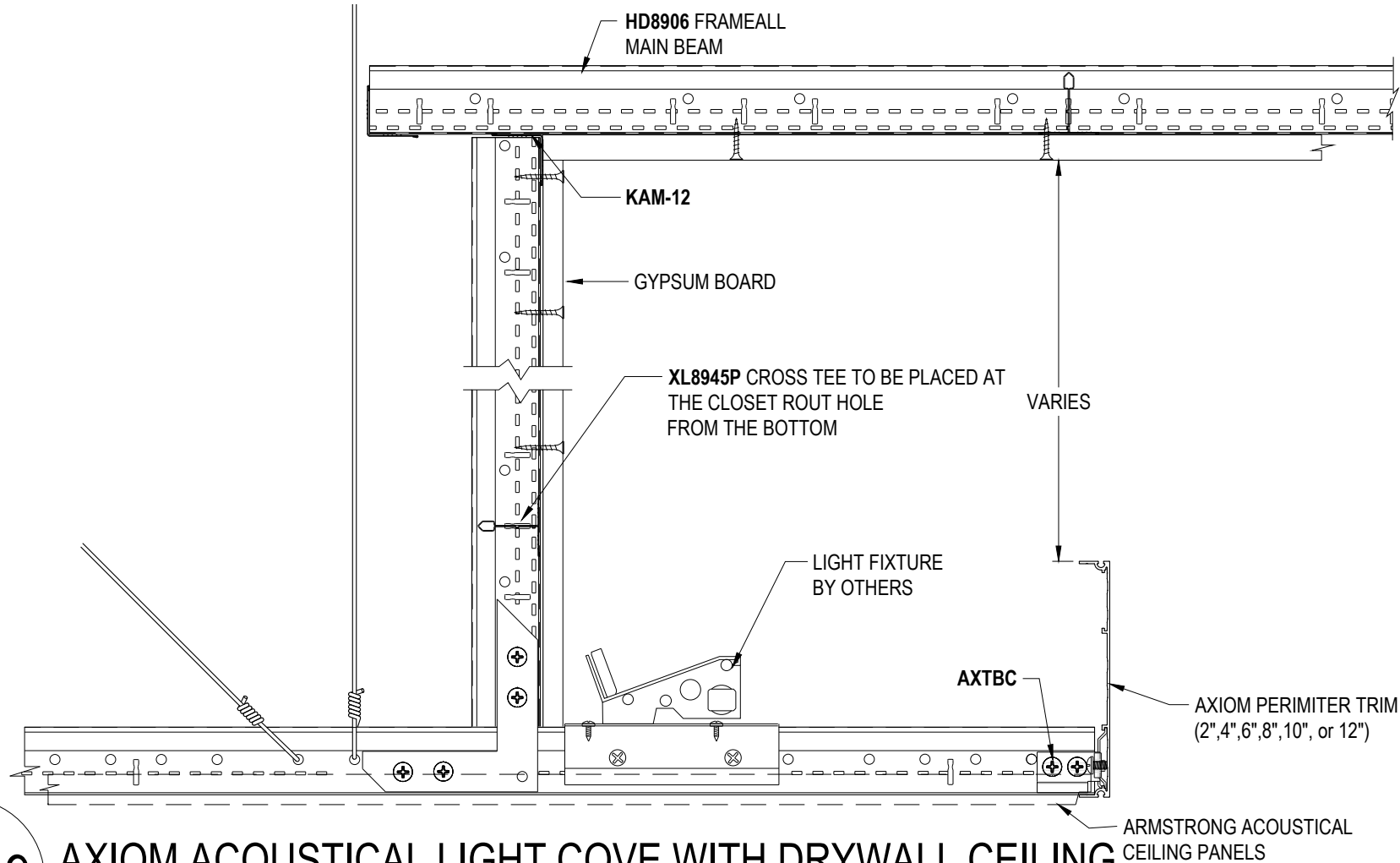
These drawings show typical conditions in which the Armstrong product depicted is installed. They are not a substitute for an architect's or engineer's plan and do not reflect the unique requirements of local building codes, laws, statutes, ordinances, rules and regulations (Legal Requirements) that may be applicable for a particular installation.

Armstrong does not warrant, and assumes no liability for the accuracy or completeness of the drawings for a particular installation or their fitness for a particular purpose. The user is advised to consult with a duly licensed architect or engineer in the particular locale of the installation to assure compliance with all Legal Requirements.

Armstrong is not licensed to provide professional architecture or engineering design services.

PROJECT NAME: FRAMEALL GRID SYSTEM MASTER SHEET
AXIOM LIGHT COVE DRYWALL TO DRYWALL

DWG. NO. A-F004-DD-48		REV: .	DATE: .
DATE: 6/28/24	SCALE: 3"=1'-0"	DESC.: .	
DRAWN BY: DAG	CHK BY: .		



DD-49 AXIOM ACOUSTICAL LIGHT COVE WITH DRYWALL CEILING

These drawings show typical conditions in which the Armstrong product depicted is installed. They are not a substitute for an architect's or engineer's plan and do not reflect the unique requirements of local building codes, laws, statutes, ordinances, rules and regulations (Legal Requirements) that may be applicable for a particular installation.

Armstrong does not warrant, and assumes no liability for the accuracy or completeness of the drawings for a particular installation or their fitness for a particular purpose. The user is advised to consult with a duly licensed architect or engineer in the particular locale of the installation to assure compliance with all Legal Requirements.

Armstrong is not licensed to provide professional architecture or engineering design services.

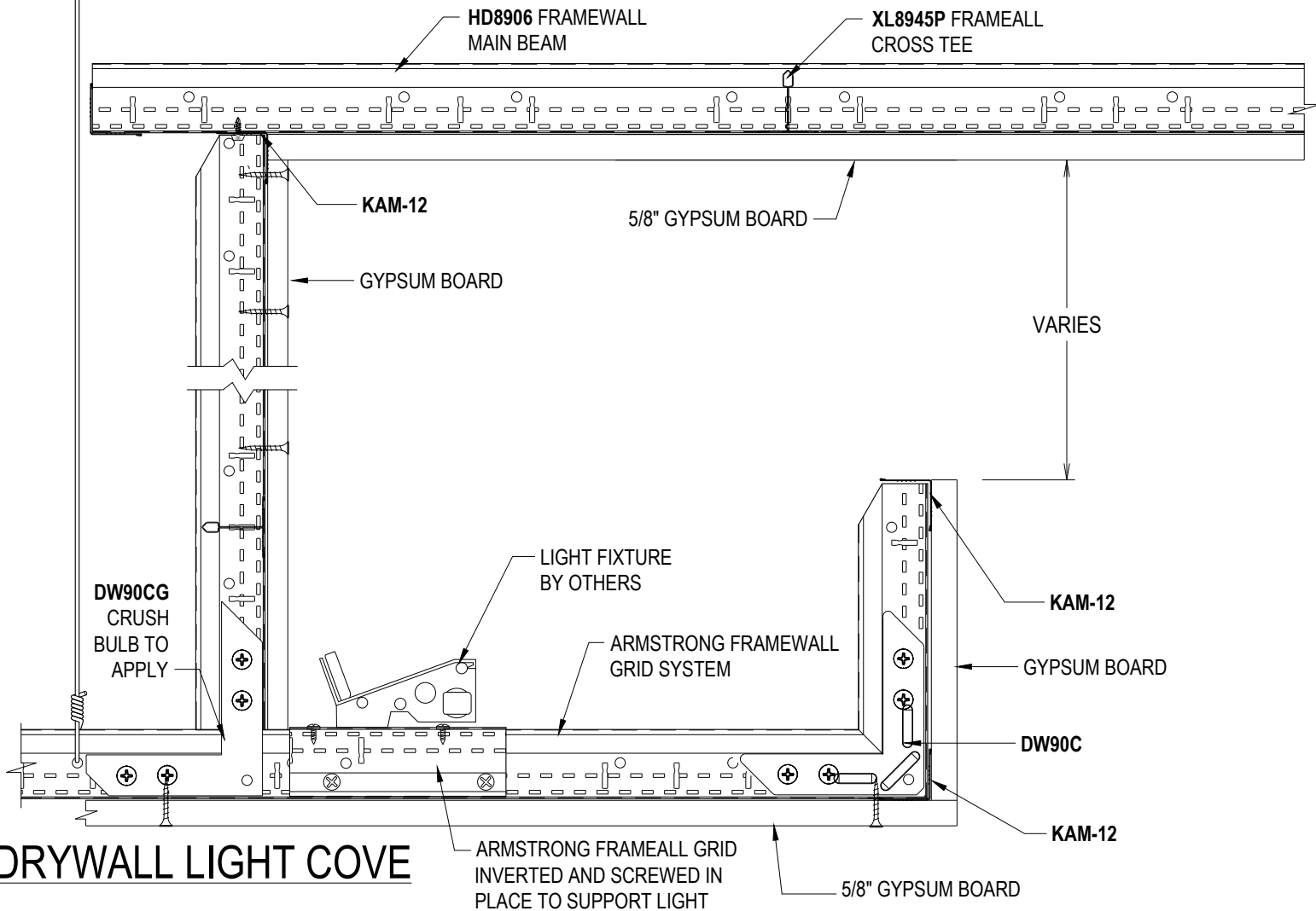
PROJECT NAME: FRAMEALL GRID SYSTEM MASTER SHEET
 AXIOM ACOUSTICAL LIGHT COVE WITH DRYWALL CEILING

DWG. NO. A-F004-DD-49		REV: .	DATE: .
DATE: 6/28/24	SCALE: 3"=1'-0"	DESC.: .	
DRAWN BY: DAG	CHK BY: .		



CEILING & WALL SOLUTIONS * ARMSTRONG WORLD INDUSTRIES, INC. * Lancaster, PA * Phone: 877-ARMSTRONG





DD-50 DRYWALL LIGHT COVE

These drawings show typical conditions in which the Armstrong product depicted is installed. They are not a substitute for an architect's or engineer's plan and do not reflect the unique requirements of local building codes, laws, statutes, ordinances, rules and regulations (Legal Requirements) that may be applicable for a particular installation.

Armstrong does not warrant, and assumes no liability for the accuracy or completeness of the drawings for a particular installation or their fitness for a particular purpose. The user is advised to consult with a duly licensed architect or engineer in the particular locale of the installation to assure compliance with all Legal Requirements.

Armstrong is not licensed to provide professional architecture or engineering design services.

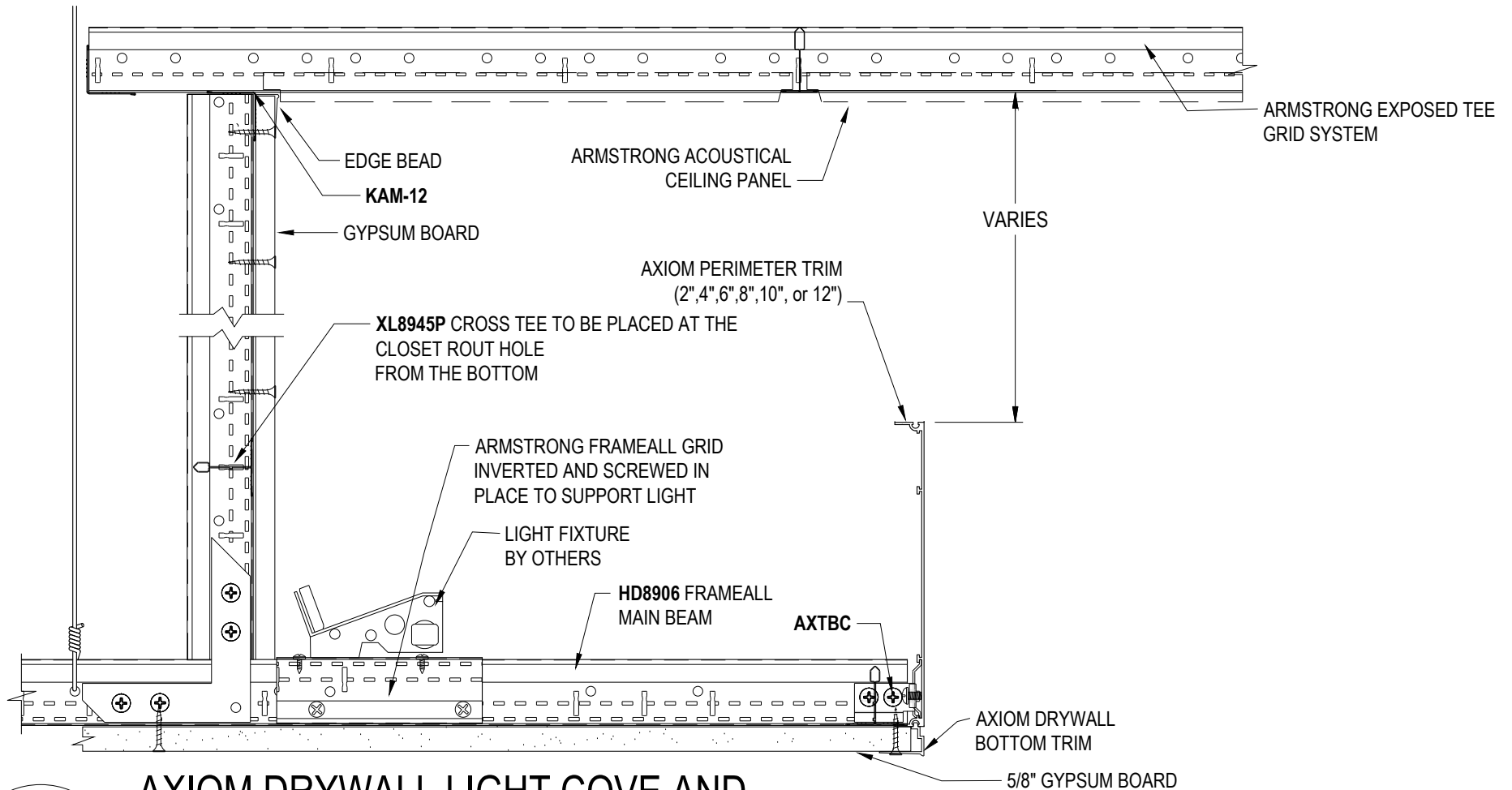
**PROJECT NAME: FRAMEALL GRID SYSTEM MASTER SHEET
DRYWALL LIGHT COVE**

DWG. NO. A-F004-DD-50		REV: .	DATE: .
DATE: 6/28/24	SCALE: 3"=1'-0"	DESC.: .	
DRAWN BY: DAG	CHK BY: .		



CEILING & WALL SOLUTIONS * ARMSTRONG WORLD INDUSTRIES, INC. * Lancaster, PA * Phone: 877-ARMSTRONG





AXIOM DRYWALL LIGHT COVE AND ACOUSTICAL CEILING USING DRYWALL GRID

DD-51

These drawings show typical conditions in which the Armstrong product depicted is installed. They are not a substitute for an architect's or engineer's plan and do not reflect the unique requirements of local building codes, laws, statutes, ordinances, rules and regulations (Legal Requirements) that may be applicable for a particular installation.

Armstrong does not warrant, and assumes no liability for the accuracy or completeness of the drawings for a particular installation or their fitness for a particular purpose. The user is advised to consult with a duly licensed architect or engineer in the particular locale of the installation to assure compliance with all Legal Requirements.

Armstrong is not licensed to provide professional architecture or engineering design services.

PROJECT NAME: FRAMEALL GRID SYSTEM MASTER SHEET
AXIOM DRYWALL LIGHT COVE AND ACOUSTICAL CEILING USING DRYWALL GRID

DWG. NO. A-F004-DD-51

REV: . DATE: .

DATE: 6/28/24

SCALE: 3"=1'-0"

DESC.: .

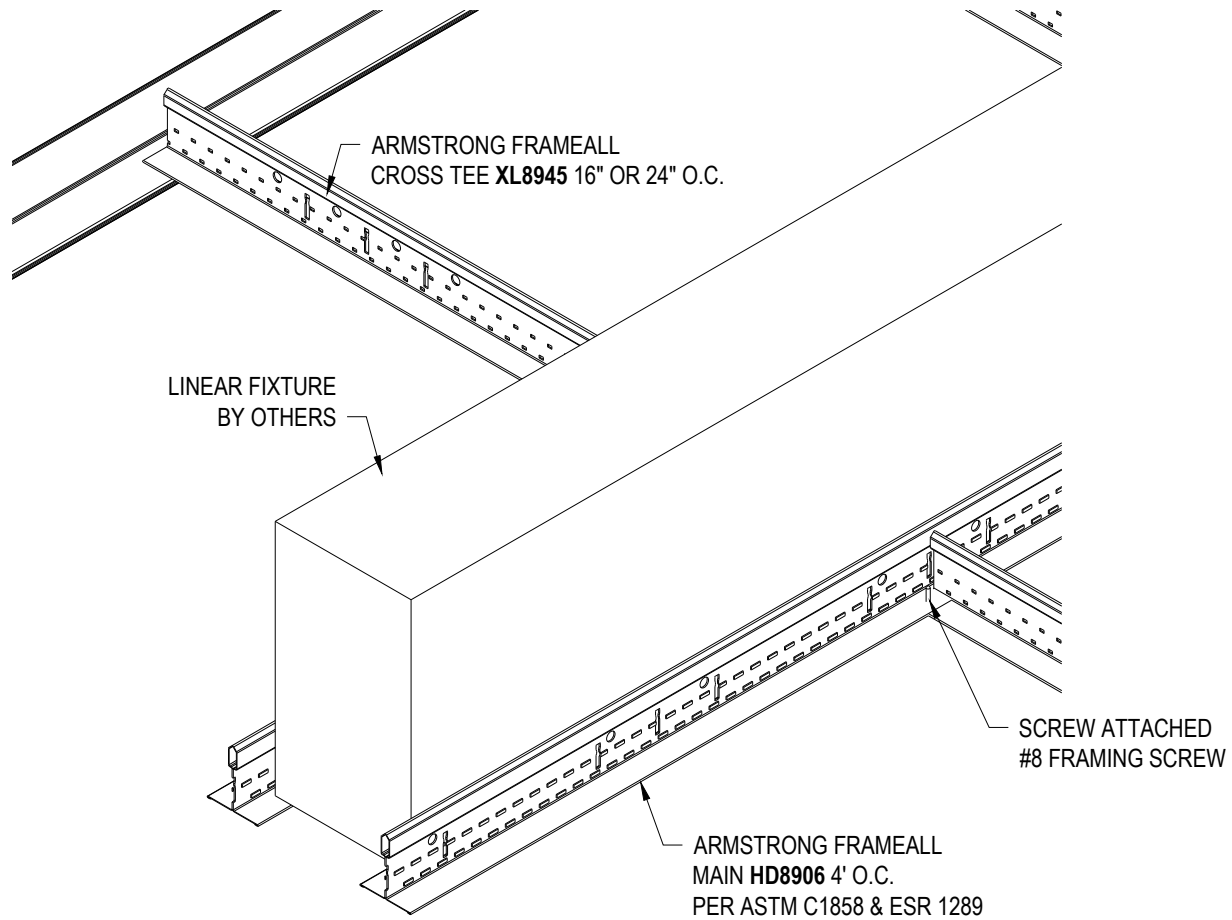
DRAWN BY: DAG

CHK BY: .

TechLine

CEILING & WALL SOLUTIONS * ARMSTRONG WORLD INDUSTRIES, INC. * Lancaster, PA * Phone: 877-ARMSTRONG

Armstrong
World Industries



DD-52 LINEAR DEVICE IN OPENING

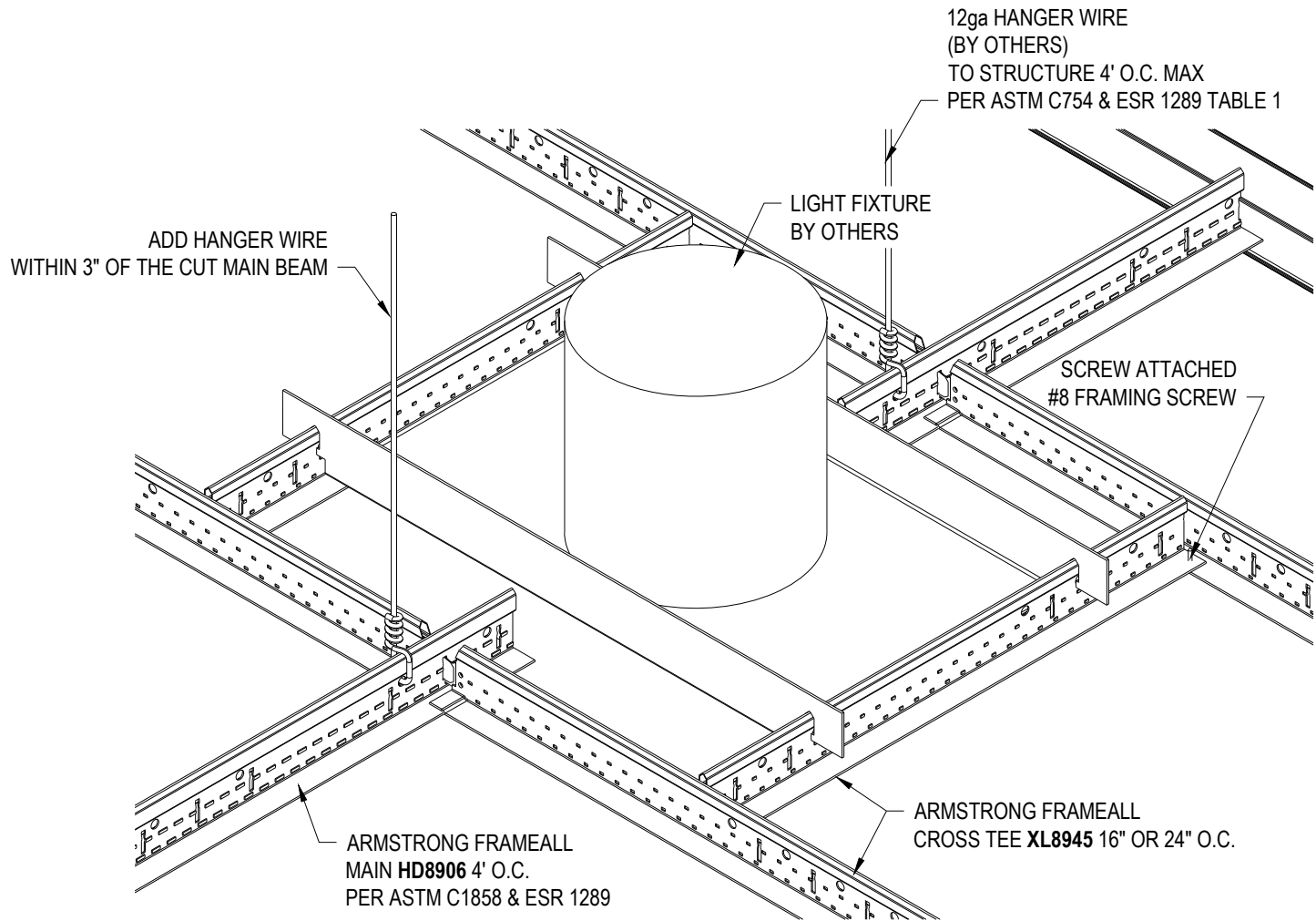
These drawings show typical conditions in which the Armstrong product depicted is installed. They are not a substitute for an architect's or engineer's plan and do not reflect the unique requirements of local building codes, laws, statutes, ordinances, rules and regulations (Legal Requirements) that may be applicable for a particular installation.

Armstrong does not warrant, and assumes no liability for the accuracy or completeness of the drawings for a particular installation or their fitness for a particular purpose. The user is advised to consult with a duly licensed architect or engineer in the particular locale of the installation to assure compliance with all Legal Requirements.

Armstrong is not licensed to provide professional architecture or engineering design services.

**PROJECT NAME: FRAMEALL GRID SYSTEM MASTER SHEET
LINEAR DEVICE IN OPENING**

DWG. NO. A-F004-DD-52		REV: .	DATE: .
DATE: 6/28/24	SCALE: 3"=1'-0"	DESC.: .	
DRAWN BY: DAG	CHK BY: .		



DD-53 LIGHT FIXTURE AT CUT MAIN BEAM

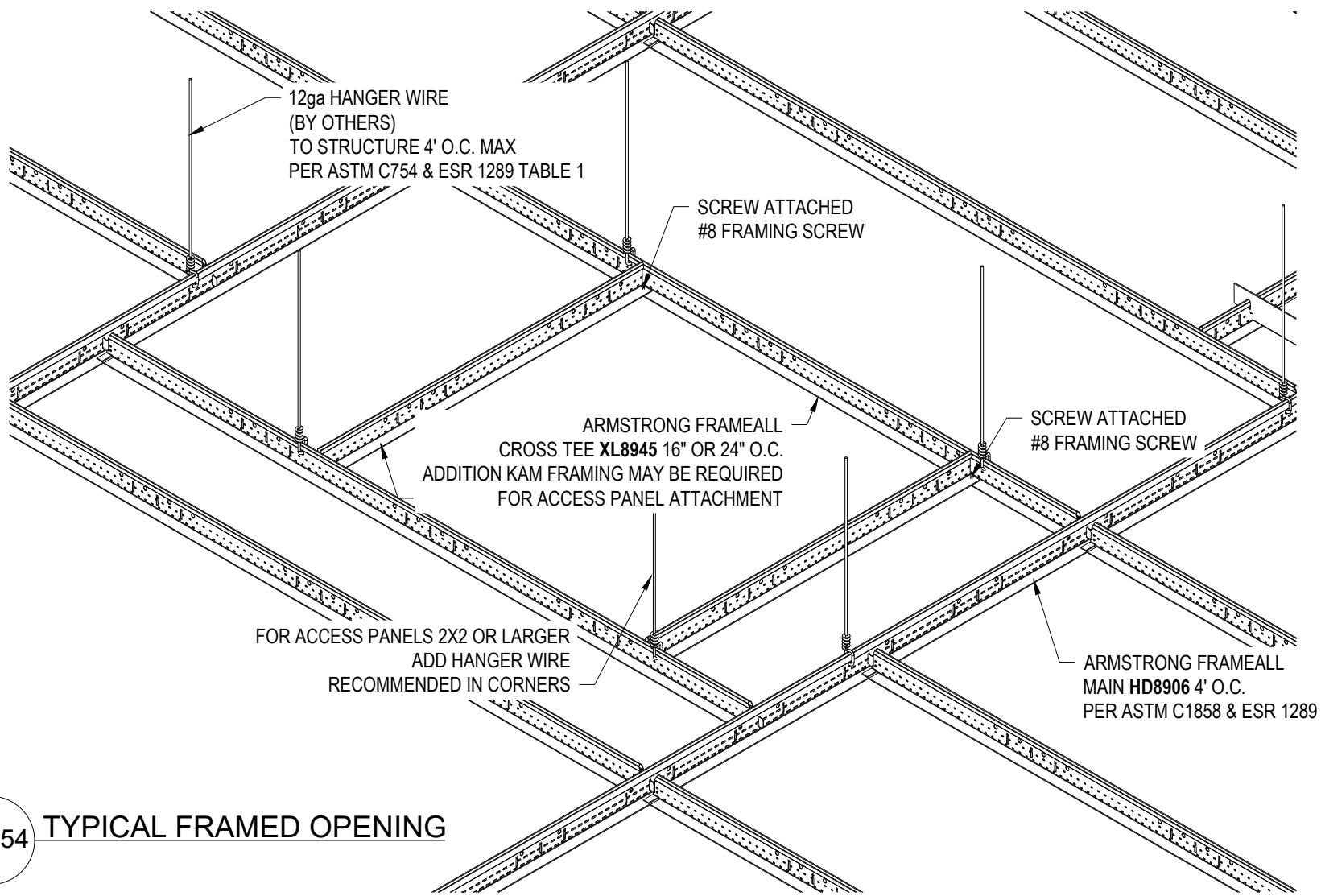
These drawings show typical conditions in which the Armstrong product depicted is installed. They are not a substitute for an architect's or engineer's plan and do not reflect the unique requirements of local building codes, laws, statutes, ordinances, rules and regulations (Legal Requirements) that may be applicable for a particular installation.

Armstrong does not warrant, and assumes no liability for the accuracy or completeness of the drawings for a particular installation or their fitness for a particular purpose. The user is advised to consult with a duly licensed architect or engineer in the particular locale of the installation to assure compliance with all Legal Requirements.

Armstrong is not licensed to provide professional architecture or engineering design services.

**PROJECT NAME: FRAMEALL GRID SYSTEM MASTER SHEET
LIGHT FIXTURE AT CUT MAIN BEAM**

DWG. NO. A-F004-DD-53		REV: .	DATE: .
DATE: 6/28/24	SCALE: 3"=1'-0"	DESC.: .	
DRAWN BY: DAG	CHK BY: .		



DD-54 TYPICAL FRAMED OPENING

These drawings show typical conditions in which the Armstrong product depicted is installed. They are not a substitute for an architect's or engineer's plan and do not reflect the unique requirements of local building codes, laws, statutes, ordinances, rules and regulations (Legal Requirements) that may be applicable for a particular installation.

Armstrong does not warrant, and assumes no liability for the accuracy or completeness of the drawings for a particular installation or their fitness for a particular purpose. The user is advised to consult with a duly licensed architect or engineer in the particular locale of the installation to assure compliance with all Legal Requirements.

Armstrong is not licensed to provide professional architecture or engineering design services.

PROJECT NAME: FRAMEALL GRID SYSTEM MASTER SHEET
TYPICAL FRAMED OPENING

DWG. NO. A-F004-DD-54

REV: . DATE: .

DATE: 6/28/24

SCALE: 1-1/2"=1'-0"

DESC.: .

DRAWN BY: DAG

CHK BY: .