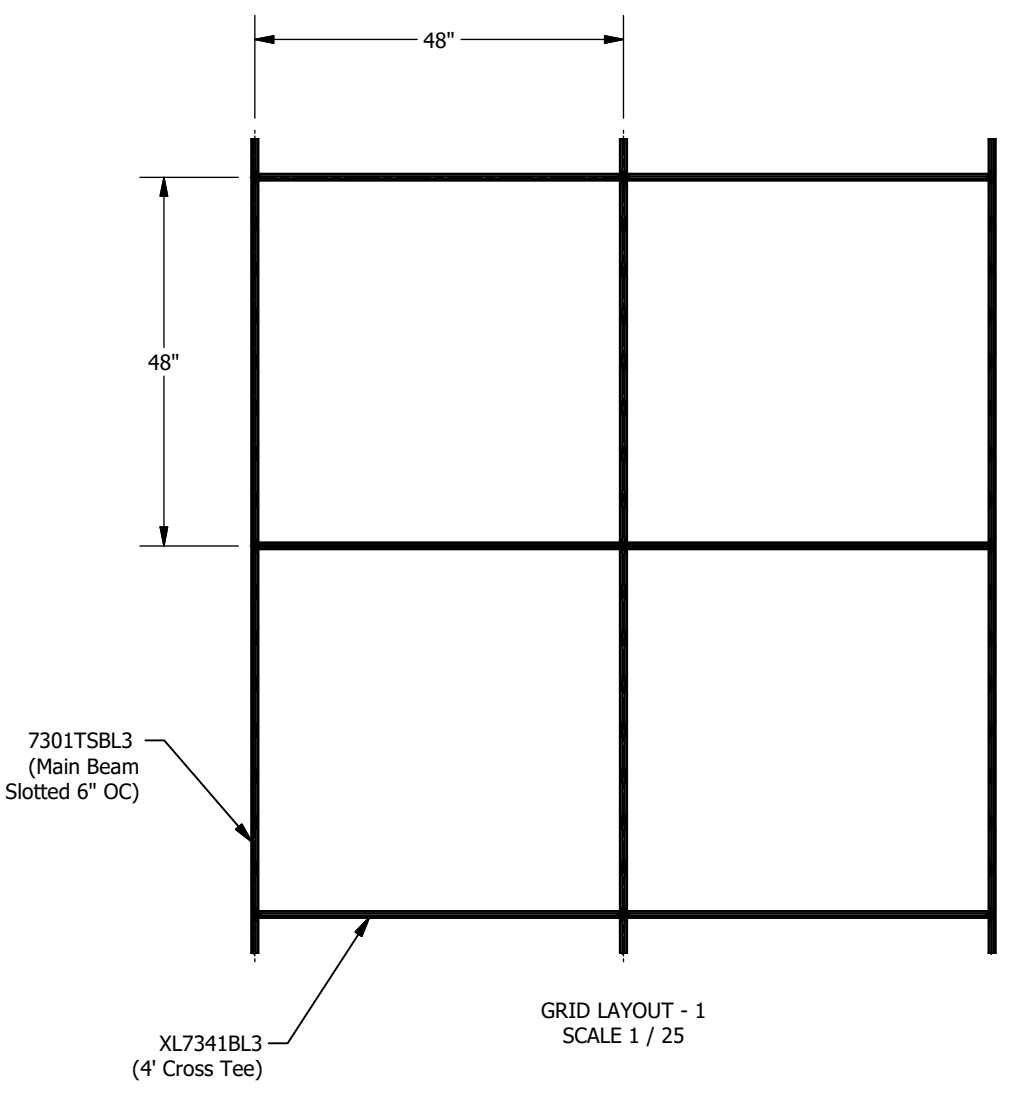


7301TSBL3 (Main Beam Slotted 6" OC)  
Main Beam Position to Match Location of Perimeter Kit Support Bar

XL7341BL3 (4" Cross Tee)

7301TSBL3 (Main Beam Slotted 6" OC)

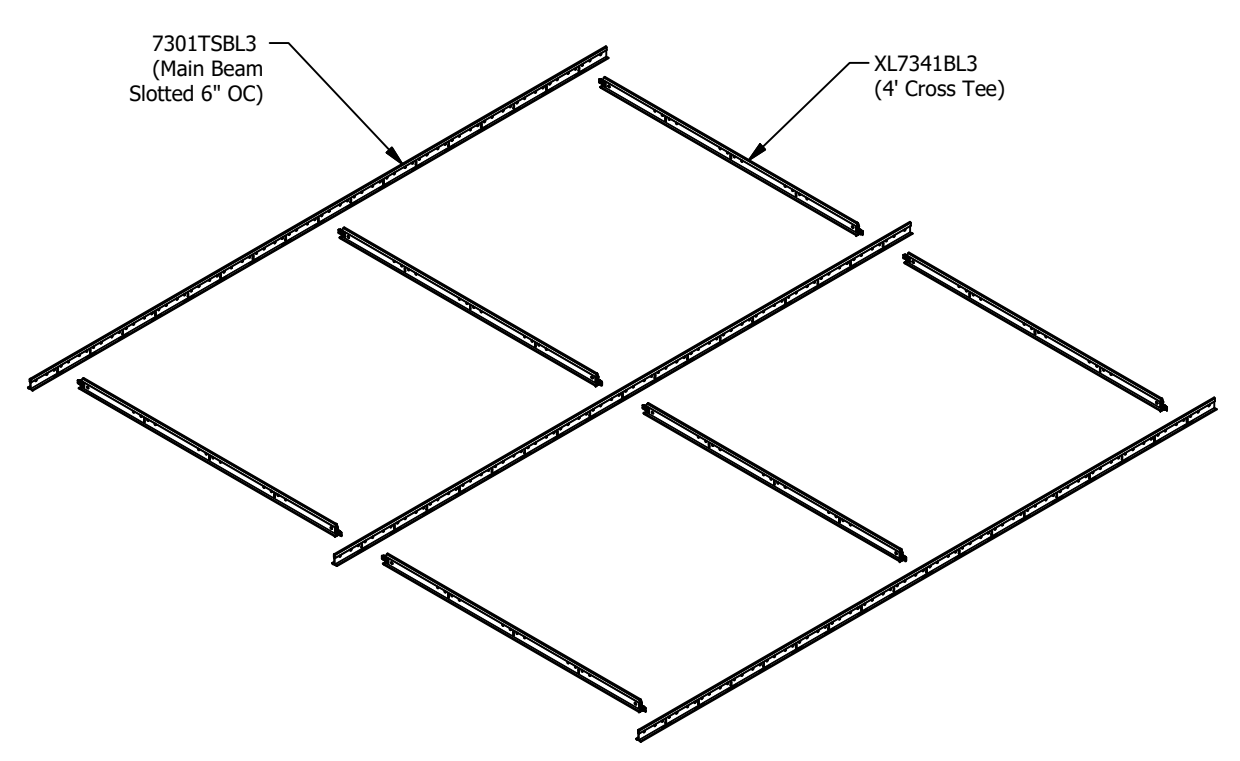
GRID LAYOUT - CUT PERIMETER  
SCALE 1 / 25



7301TSBL3 (Main Beam Slotted 6" OC)

XL7341BL3 (4" Cross Tee)

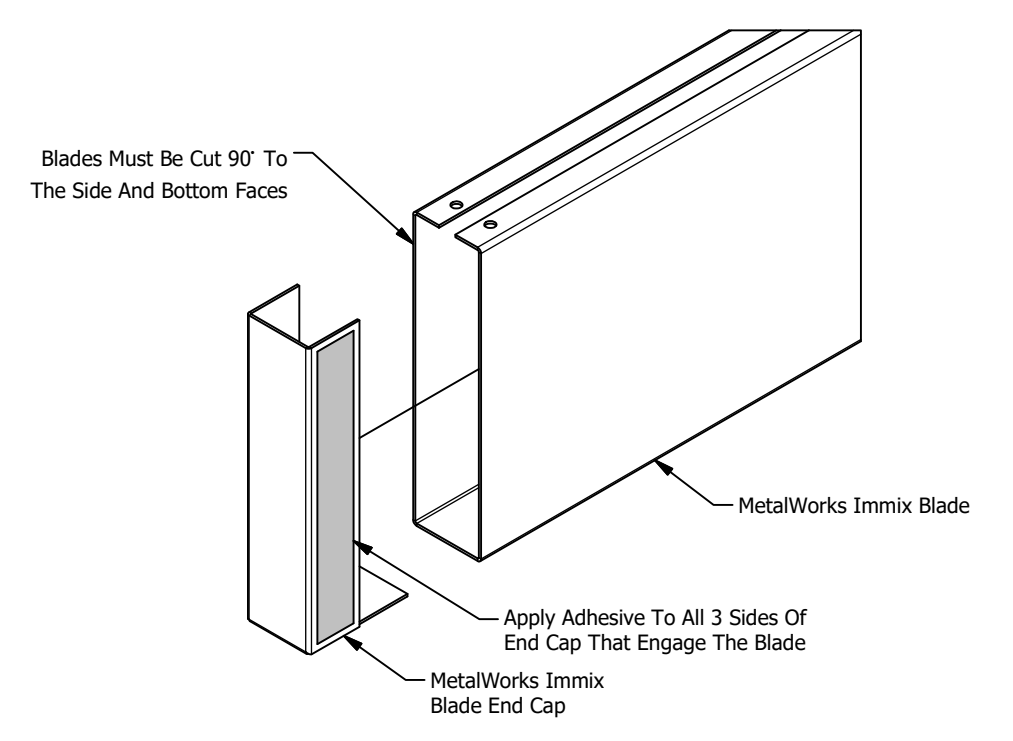
GRID LAYOUT - 1  
SCALE 1 / 25



7301TSBL3 (Main Beam Slotted 6" OC)

XL7341BL3 (4" Cross Tee)

GRID LAYOUT - 2  
SCALE 1 / 25



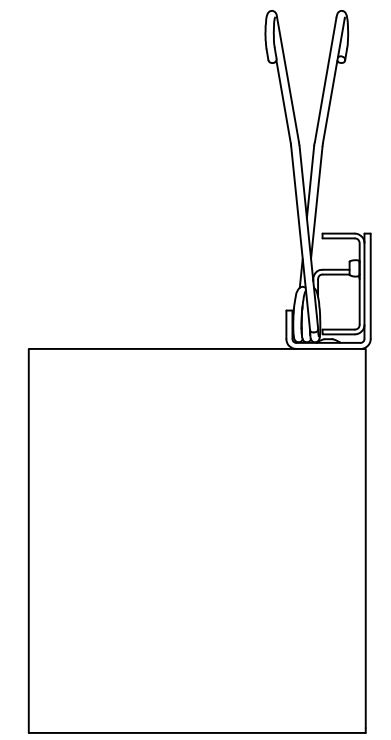
Blades Must Be Cut 90° To The Side And Bottom Faces

MetalWorks Immix Blade

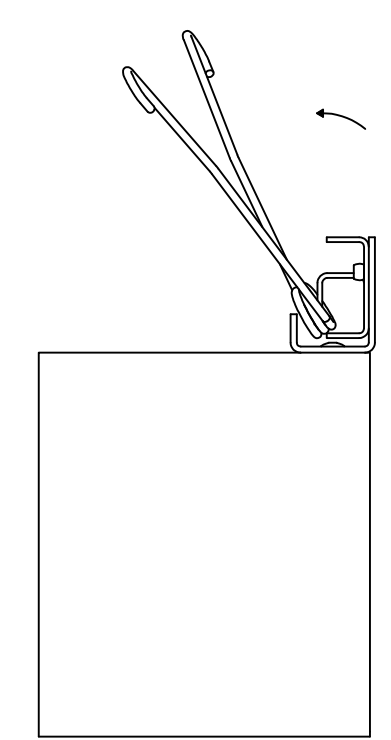
Apply Adhesive To All 3 Sides Of End Cap That Engage The Blade

MetalWorks Immix Blade End Cap

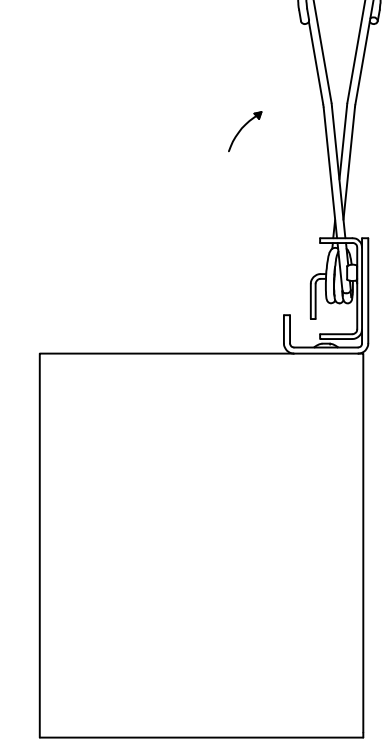
END CAP INSTALLATION  
SCALE 1 / 2



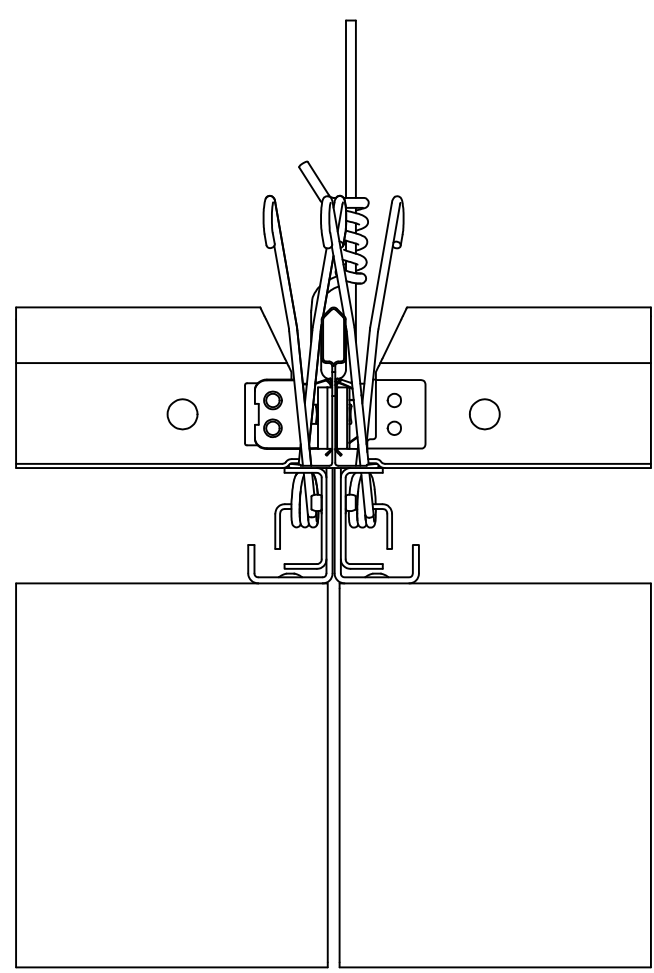
SPRING INSTALLATION - 1  
SCALE 1 / 2



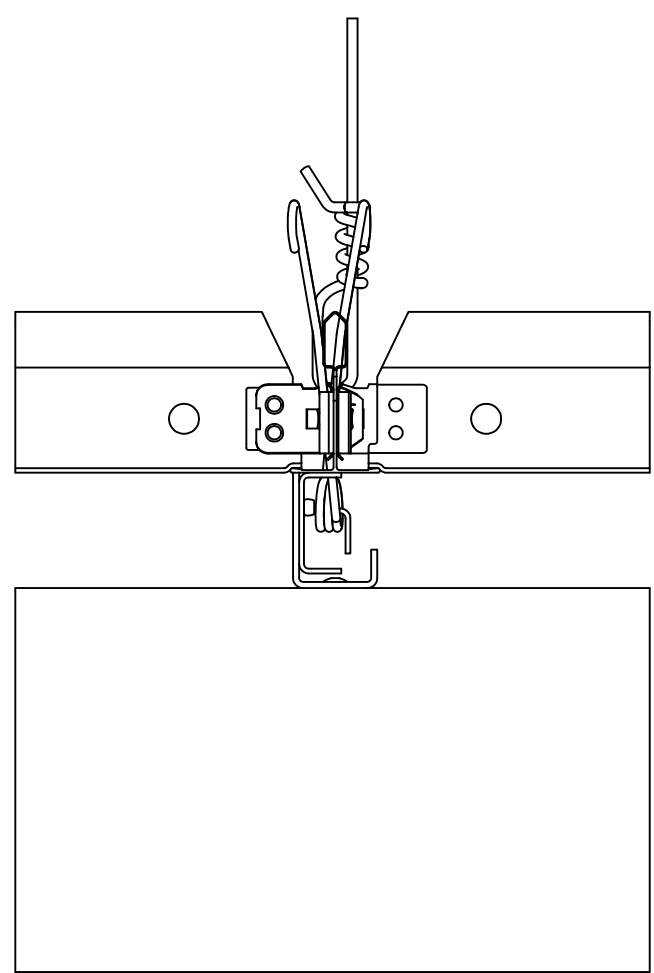
SPRING INSTALLATION - 2  
SCALE 1 / 2



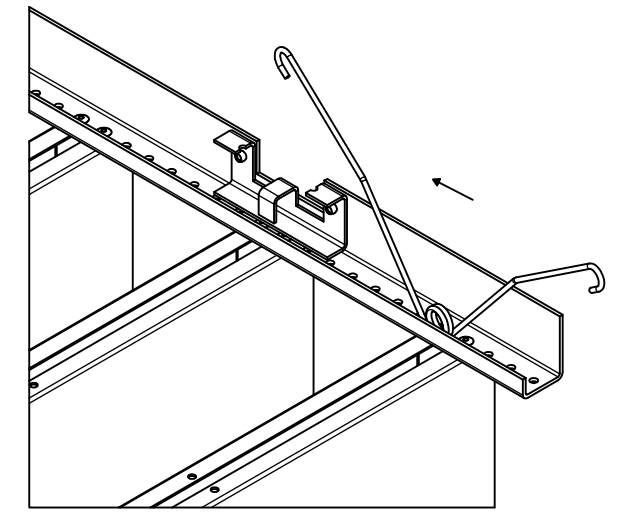
SPRING INSTALLATION - 3  
SCALE 1 / 2



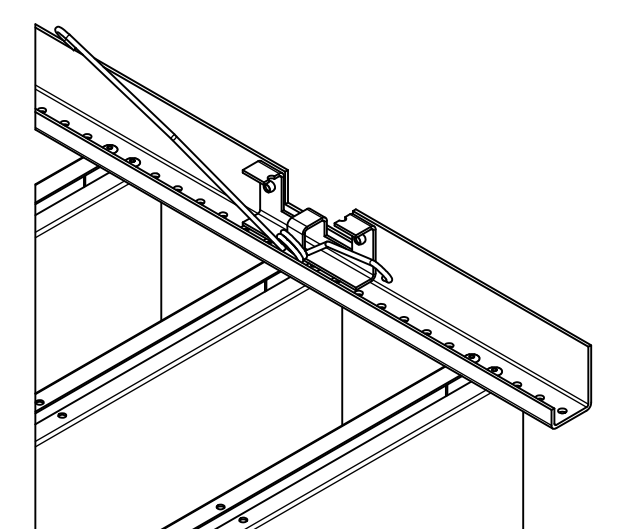
PANEL END TO END  
SCALE 1 / 2



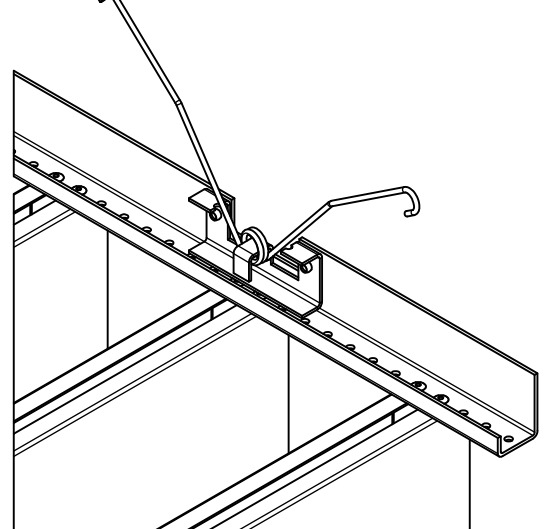
PANEL MIDDLE  
SCALE 1 / 2



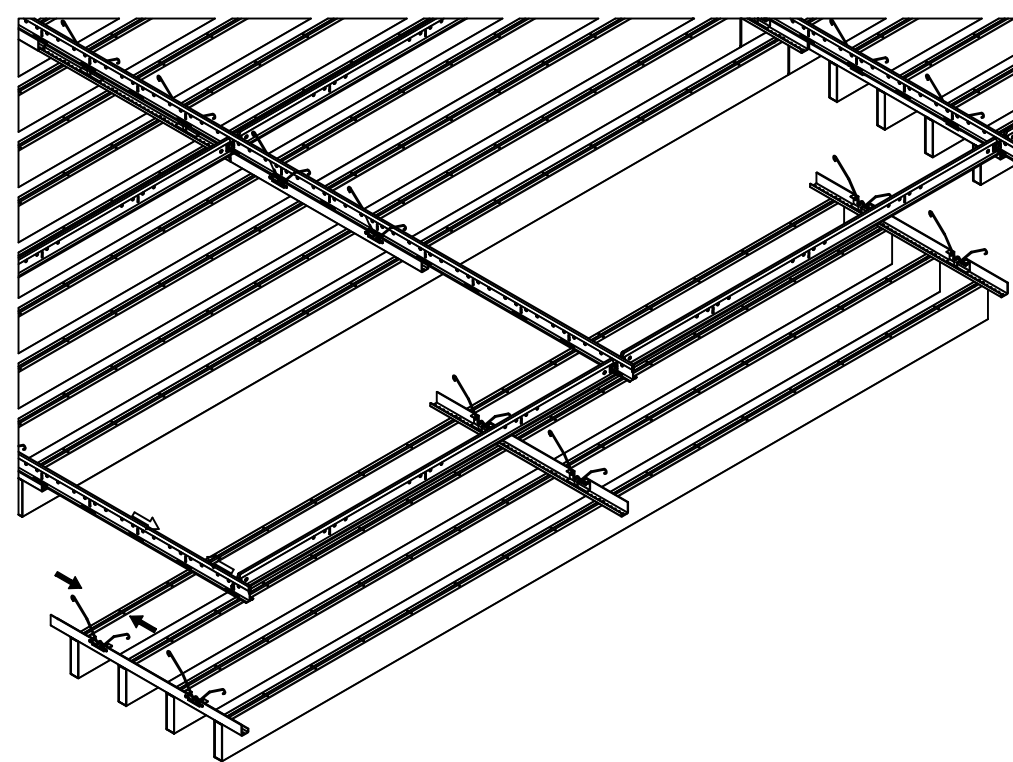
SPRING INSTALLATION - 1 ISO  
SCALE 1 / 3



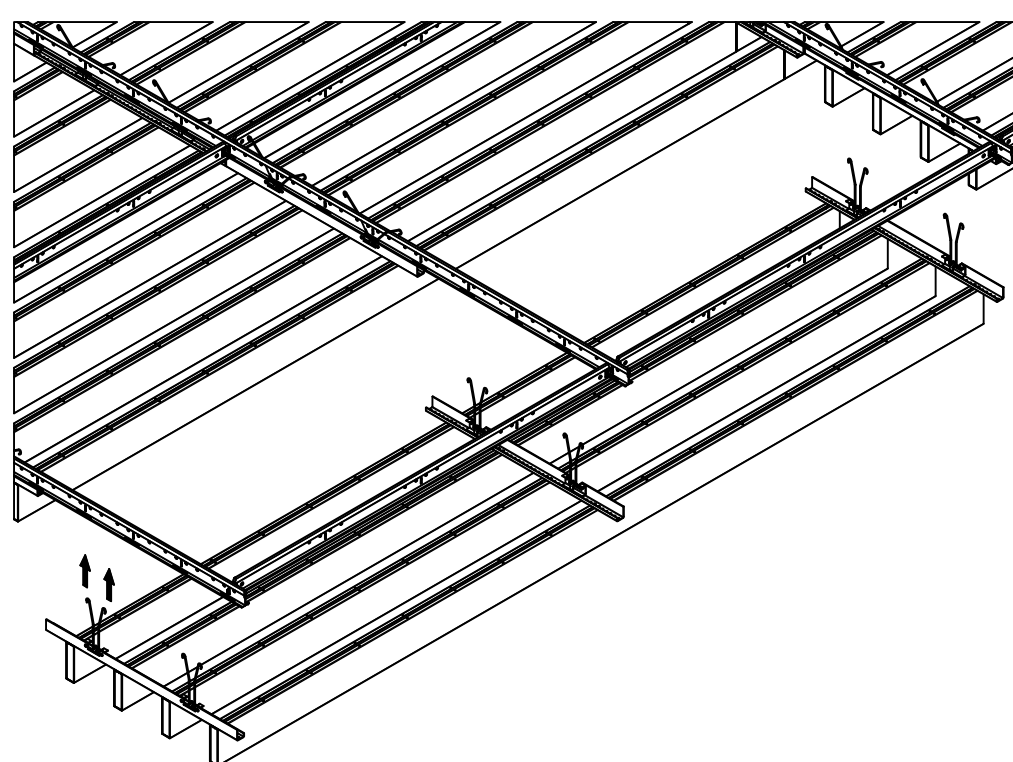
SPRING INSTALLATION - 2 ISO  
SCALE 1 / 3



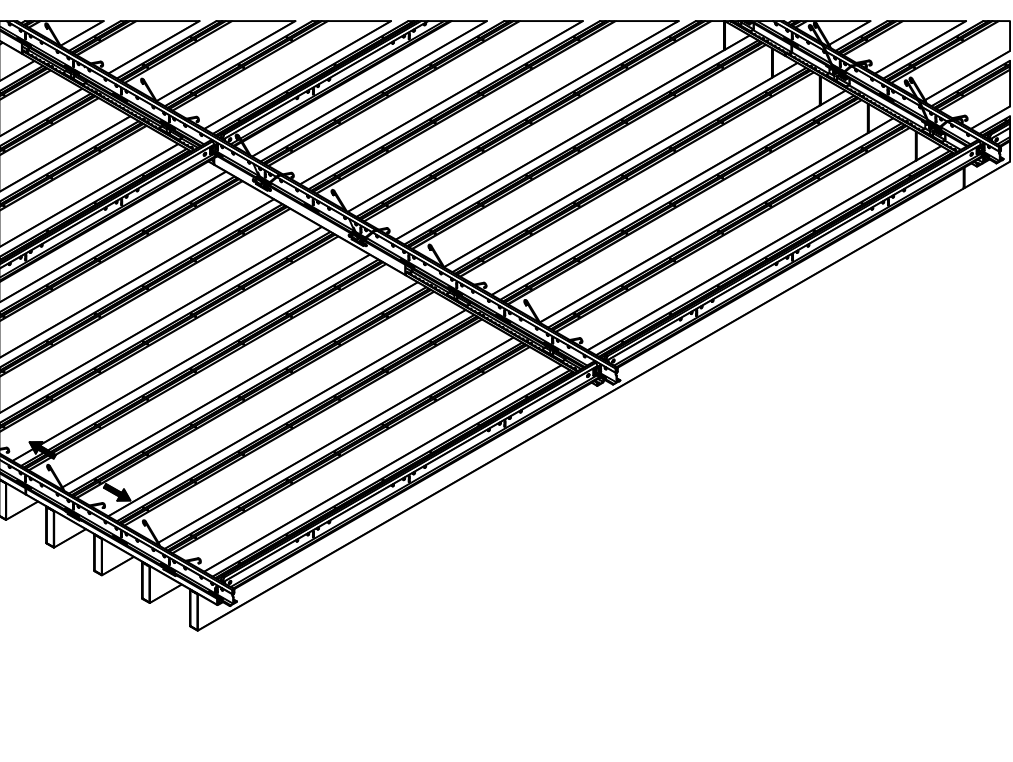
SPRING INSTALLATION - 3 ISO  
SCALE 1 / 3



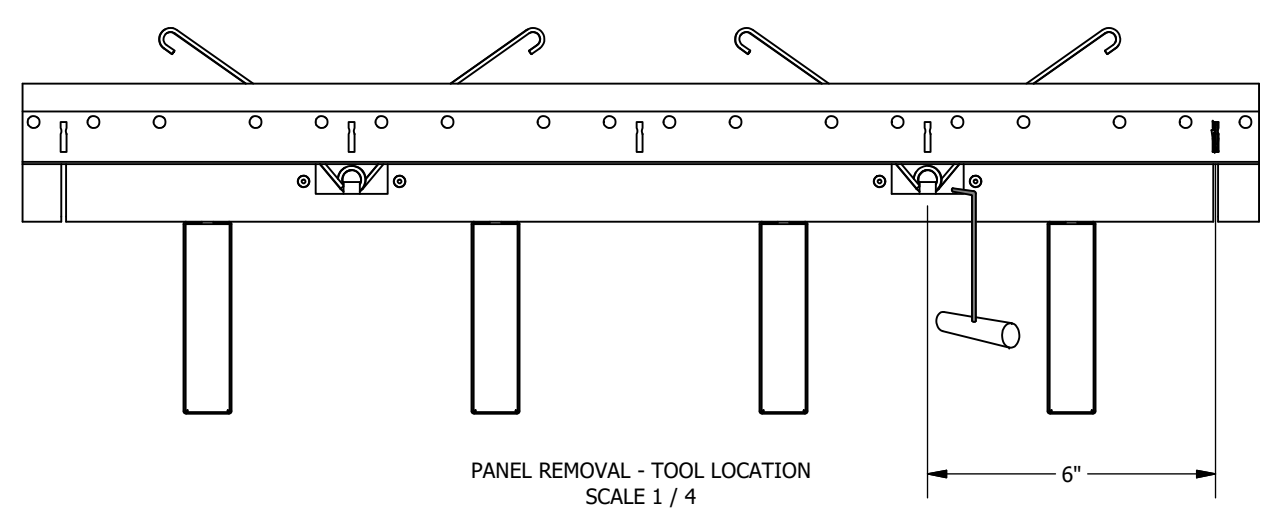
PANEL INSTALLATION - 1  
SCALE 1 / 17



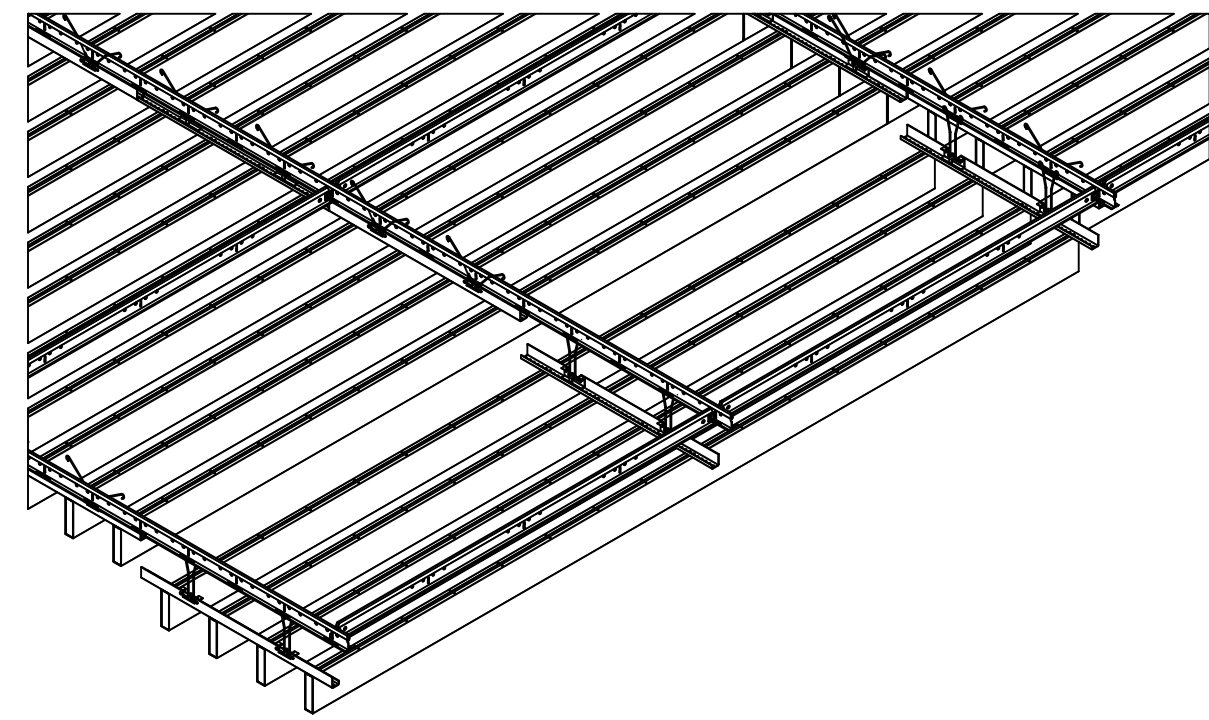
PANEL INSTALLATION - 2  
SCALE 1 / 17



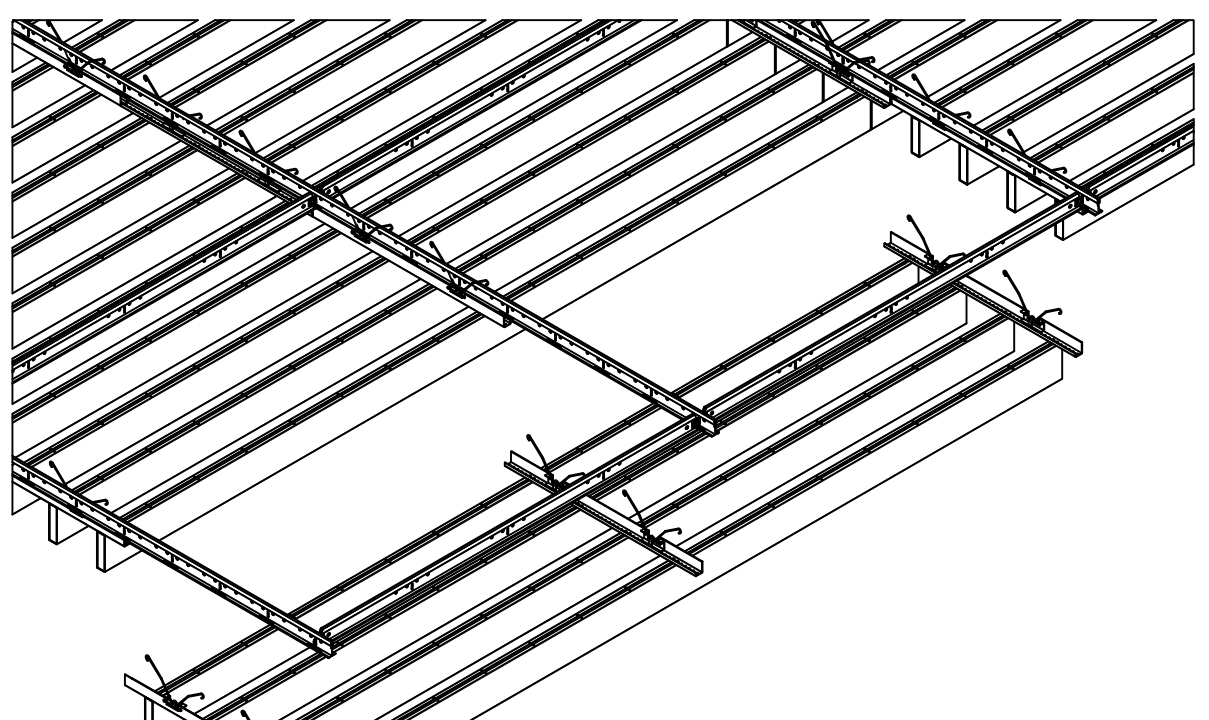
PANEL INSTALLATION - 3  
SCALE 1 / 17



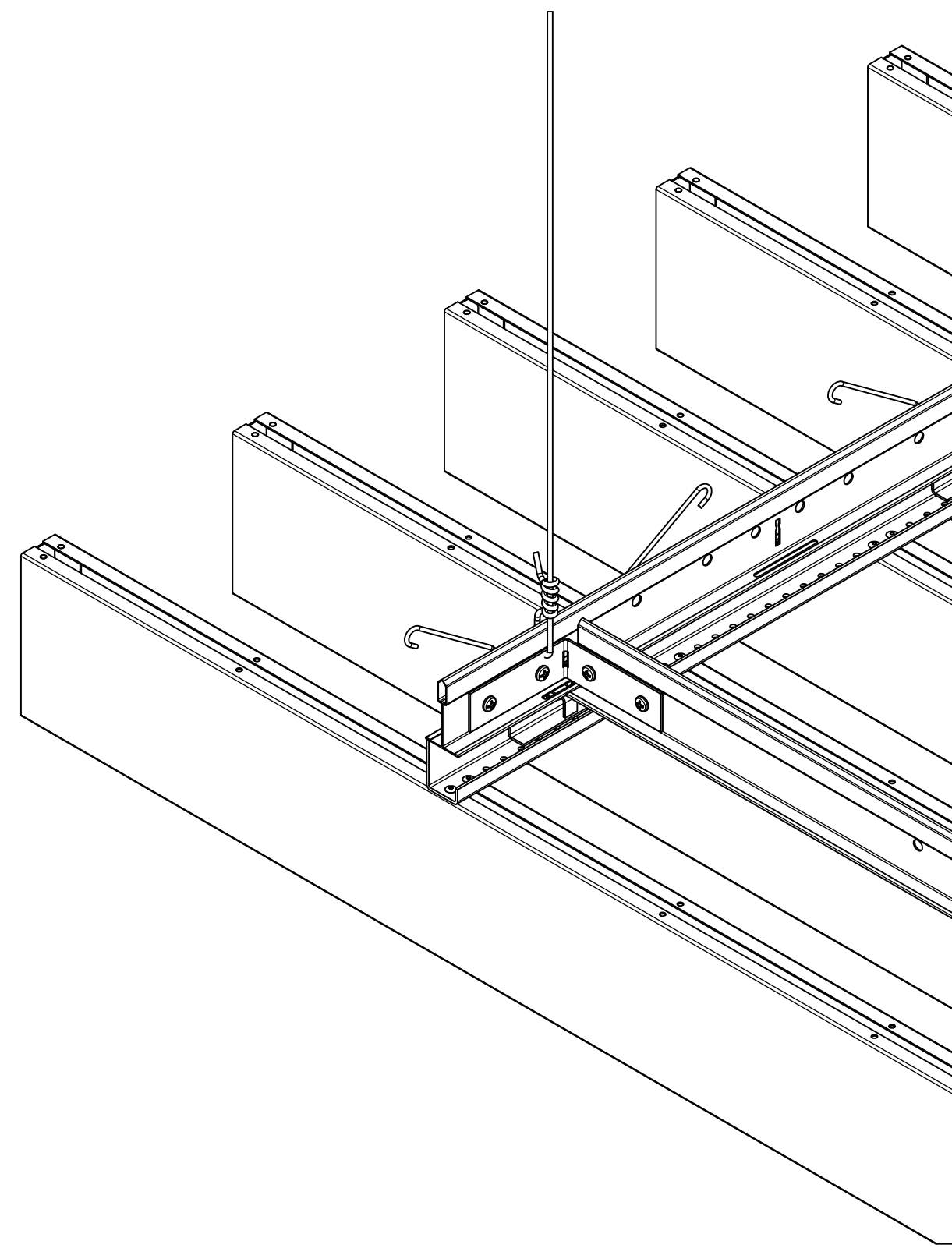
PANEL REMOVAL - TOOL LOCATION  
SCALE 1 / 4



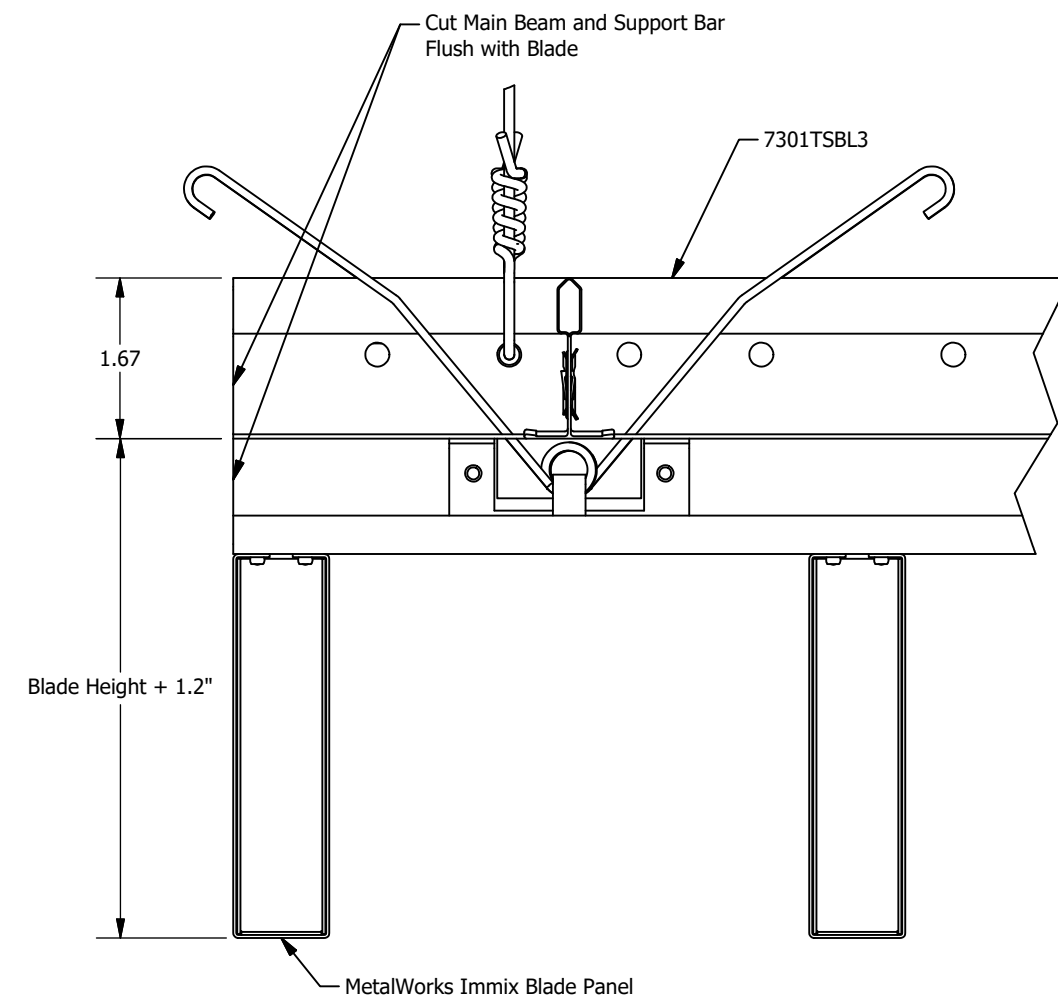
PANEL REMOVAL - 1  
SCALE 1 / 17



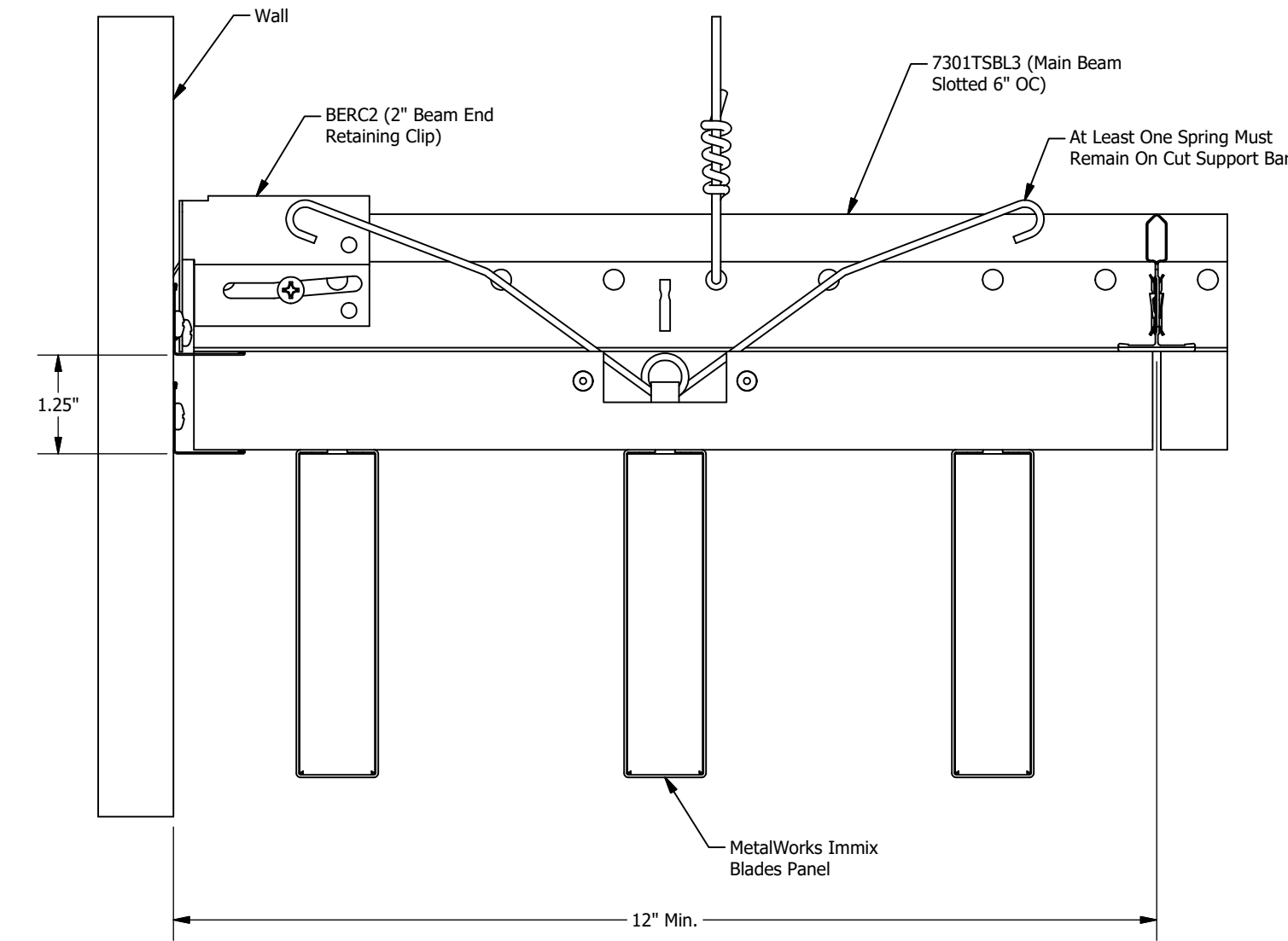
PANEL REMOVAL - 2  
SCALE 1 / 17



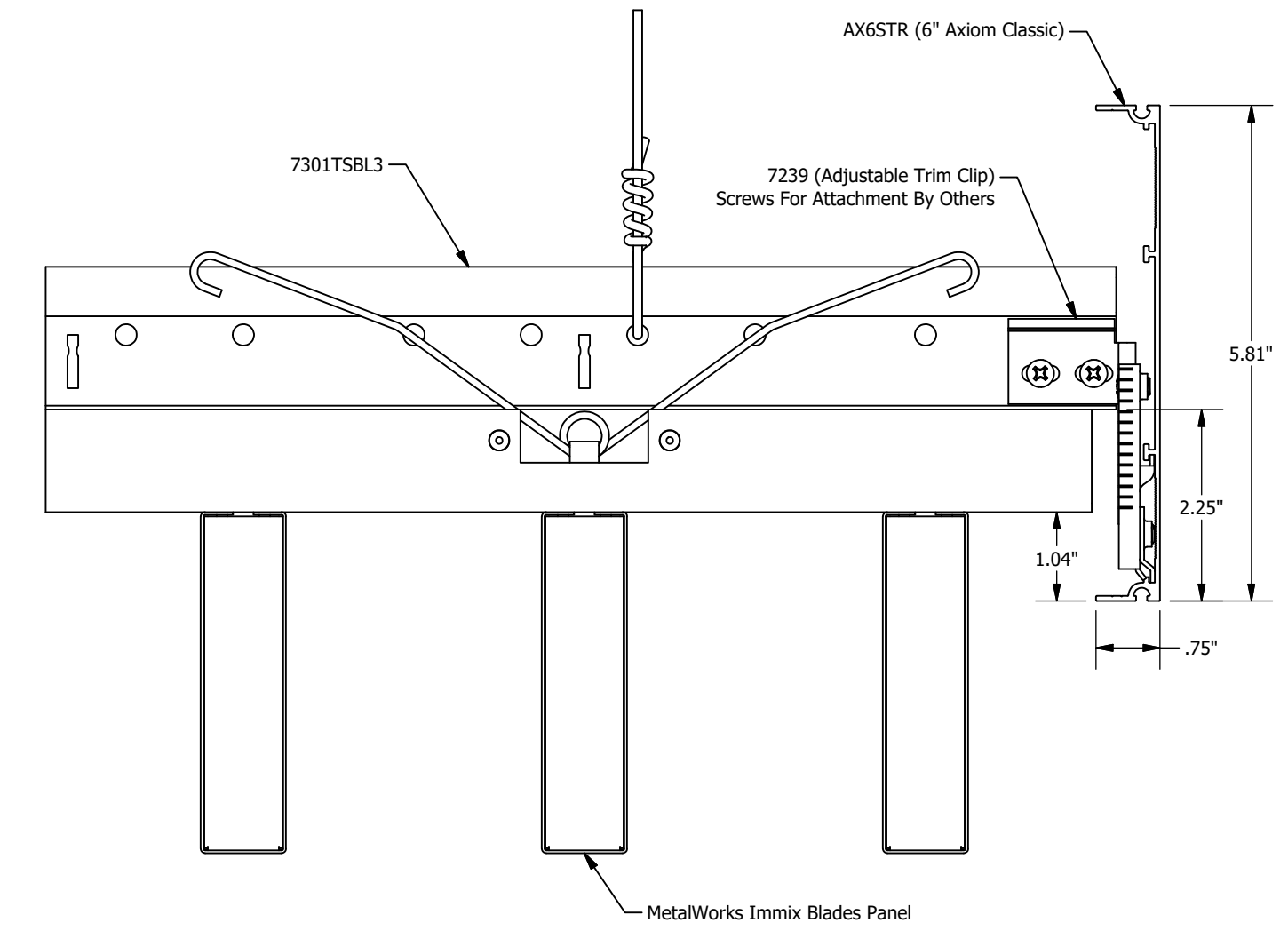
FLOATING PERIMETER DETAIL - NO TRIM - ISO  
SCALE 1 / 3



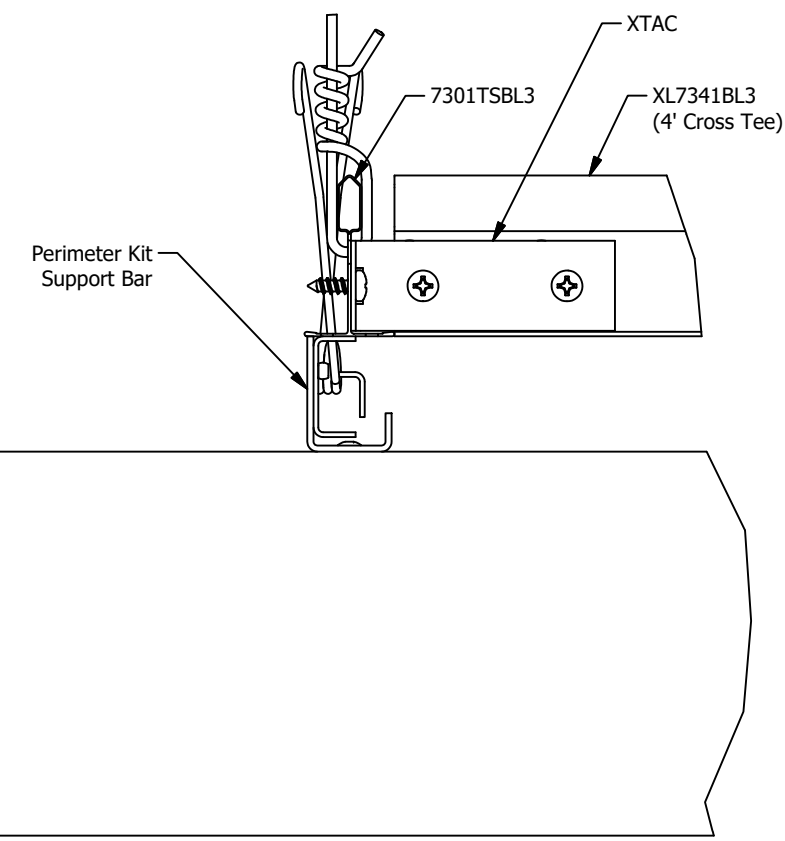
FLOATING PERIMETER DETAIL - NO TRIM - 1  
SCALE 1 / 2



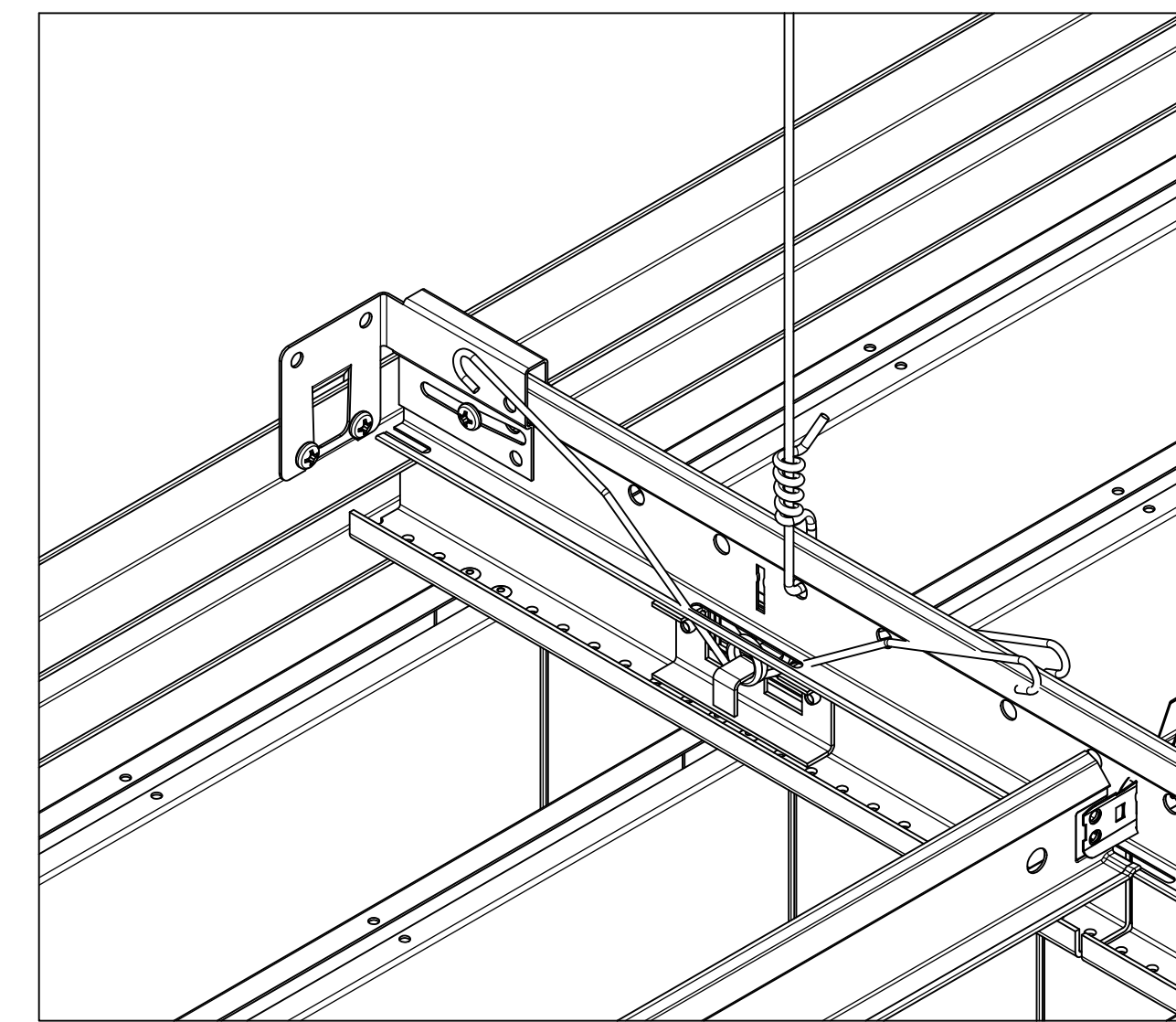
WALL PERIMETER DETAIL - FIELD CUT  
SCALE 1 / 2



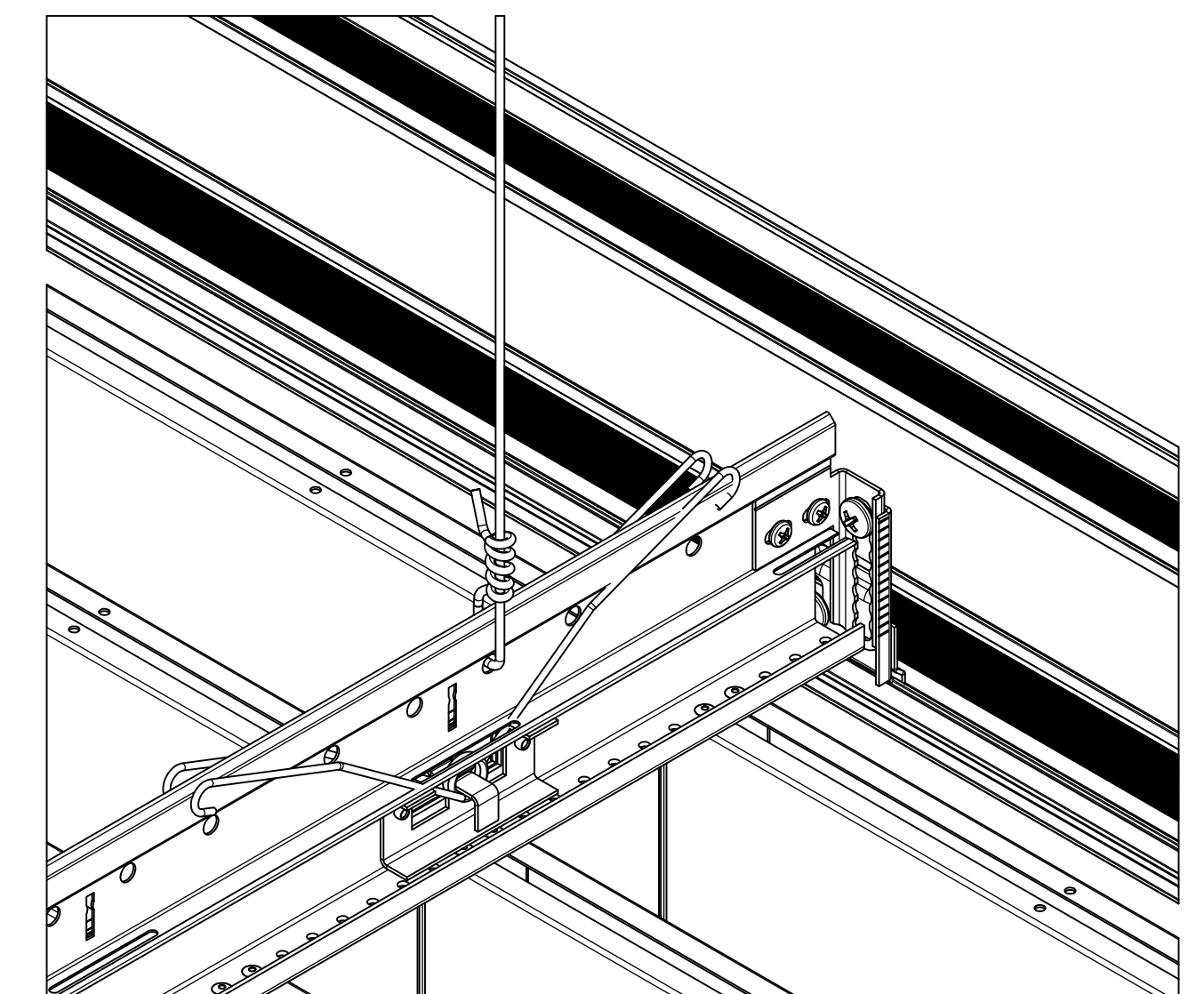
AXIOM FLOATING PERIMETER DETAIL  
SCALE 1 / 2



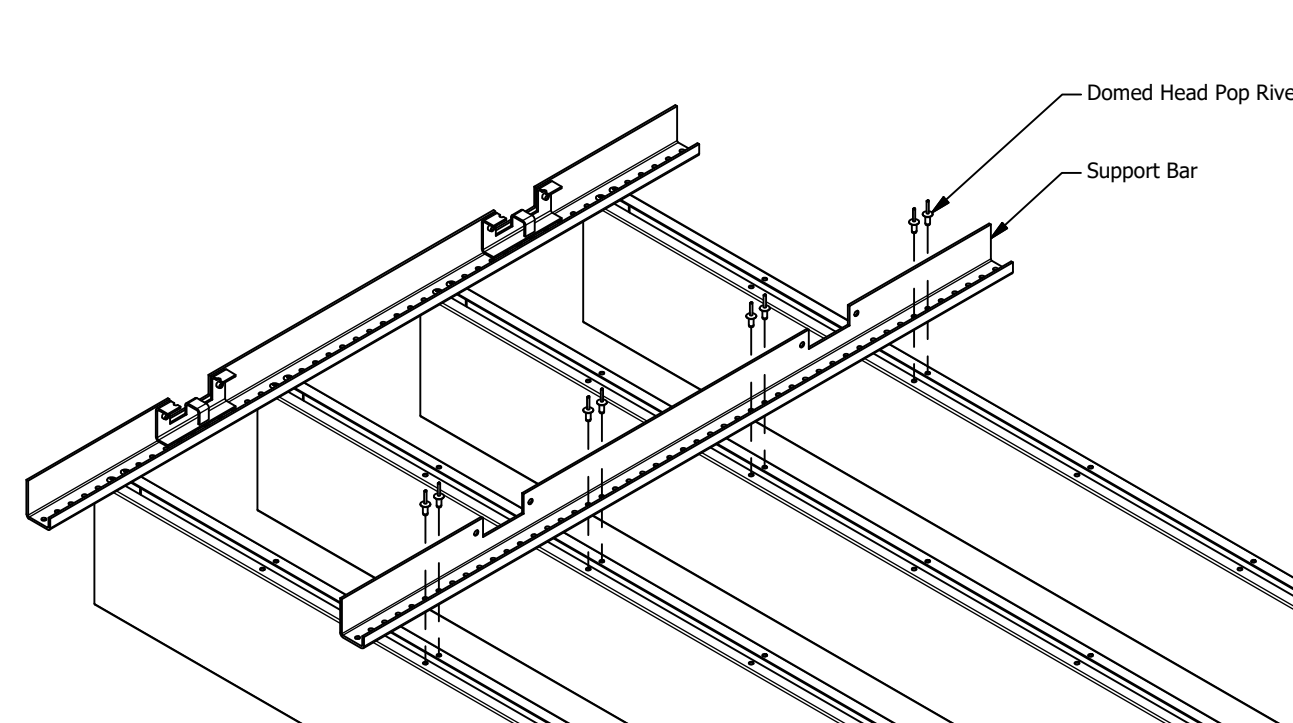
FLOATING PERIMETER DETAIL - NO TRIM - 2  
SCALE 1 / 2



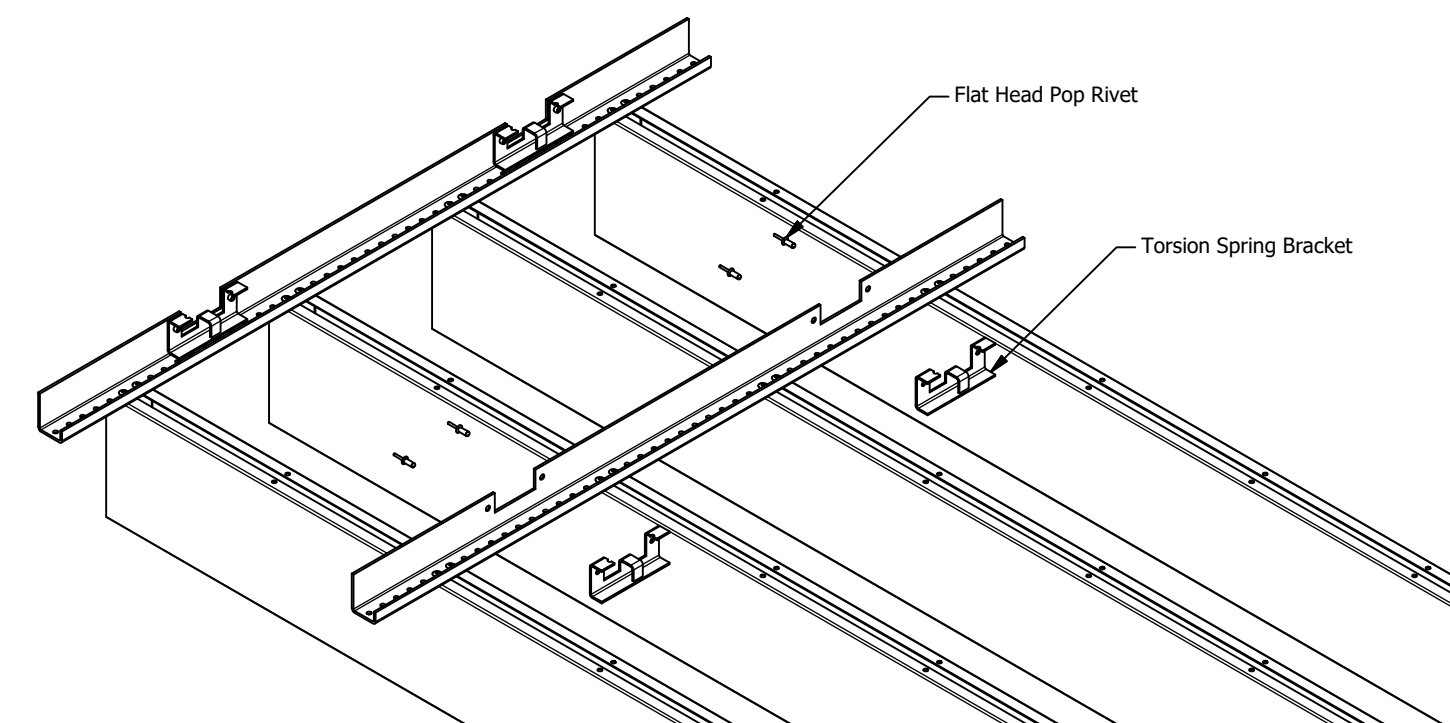
WALL PERIMETER DETAIL - FIELD CUT - ISO  
SCALE 1 / 2



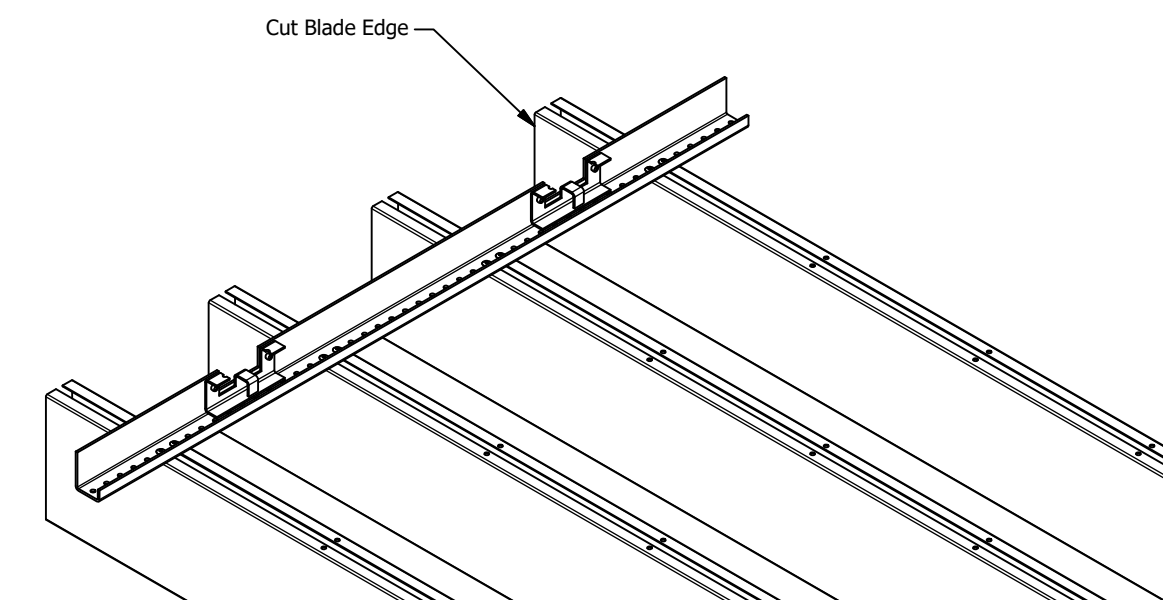
AXIOM FLOATING PERIMETER DETAIL - ISO  
SCALE 1 / 2



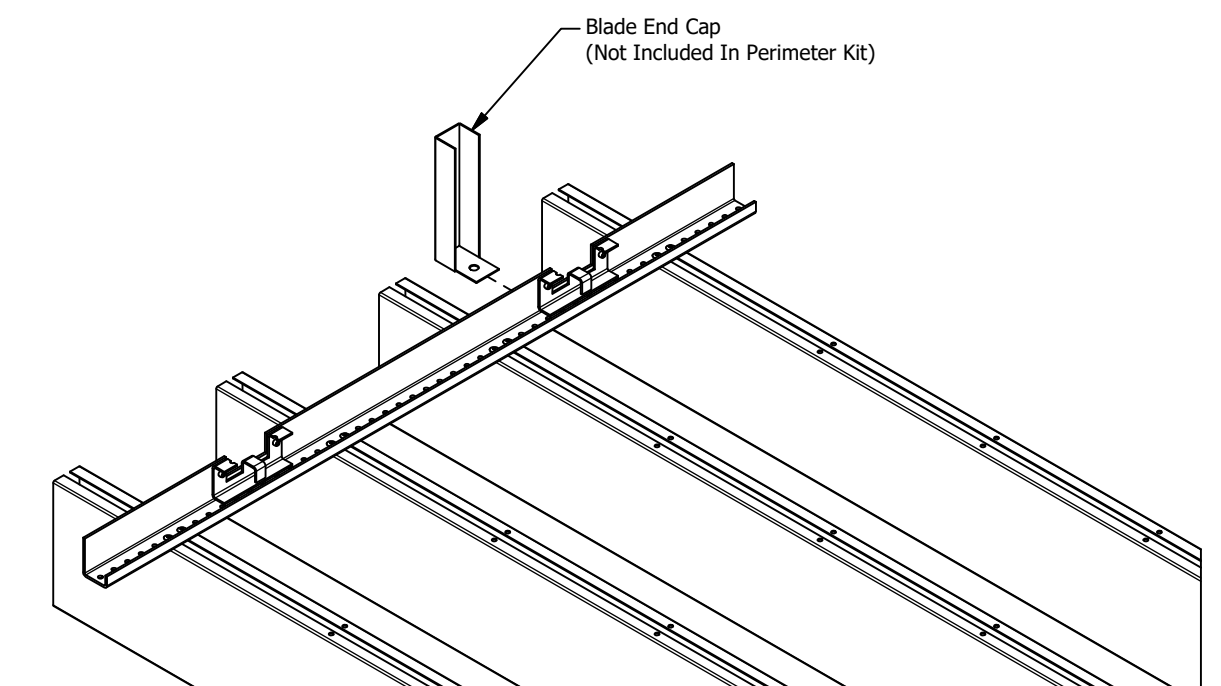
PERIMETER KIT INSTALLATION - 1  
SCALE 1 / 5



PERIMETER KIT INSTALLATION - 2  
SCALE 1 / 5



PERIMETER KIT INSTALLATION - 3  
SCALE 1 / 5



PERIMETER KIT INSTALLATION - 4  
SCALE 1 / 5