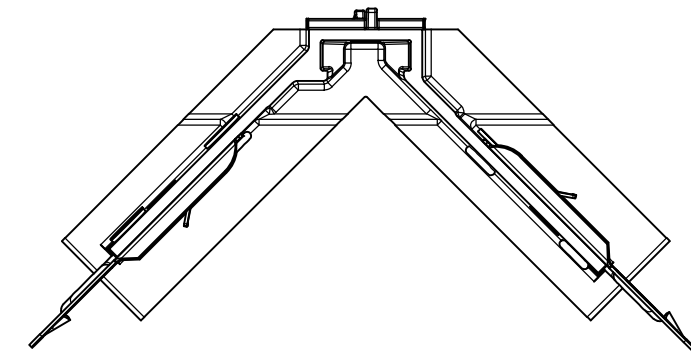
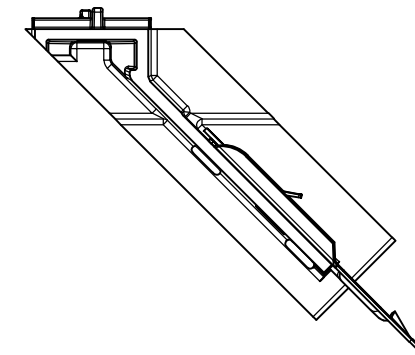


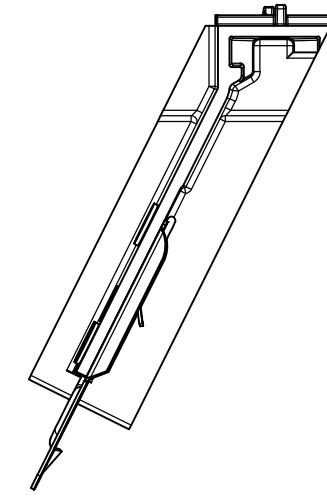
45° Left Angle Bracket



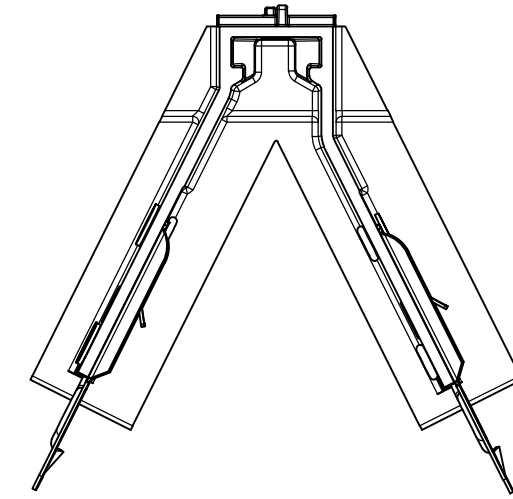
45° Double Angle Bracket



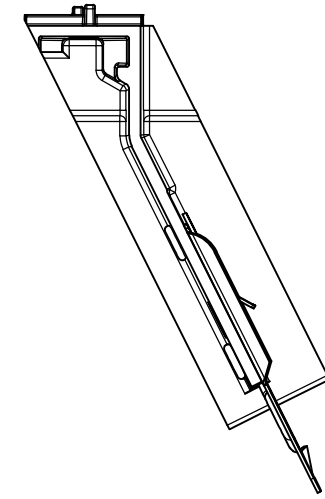
45° Right Angle Bracket



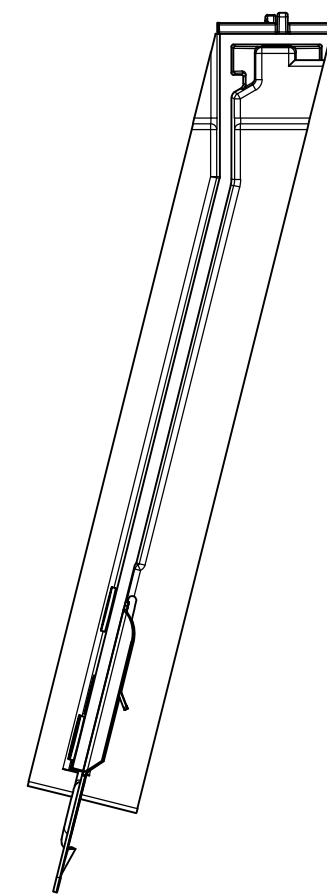
60° Left Angle Bracket



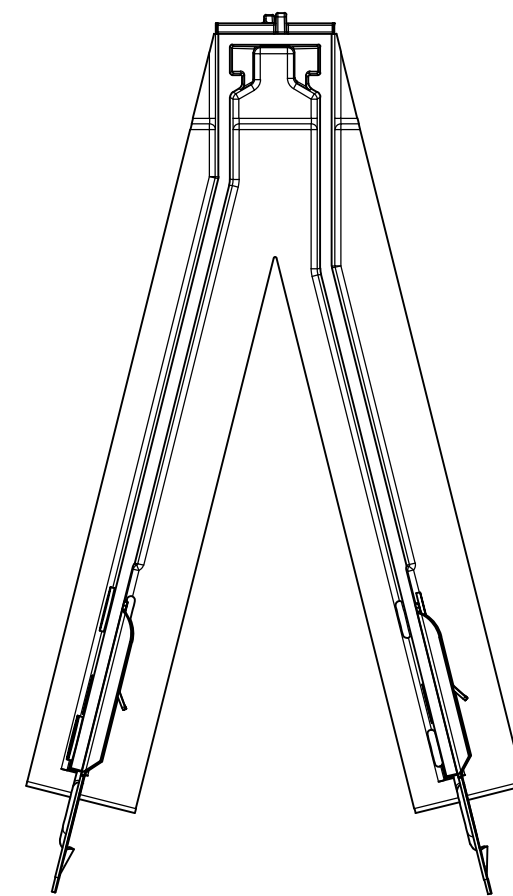
60° Double Angle Bracket



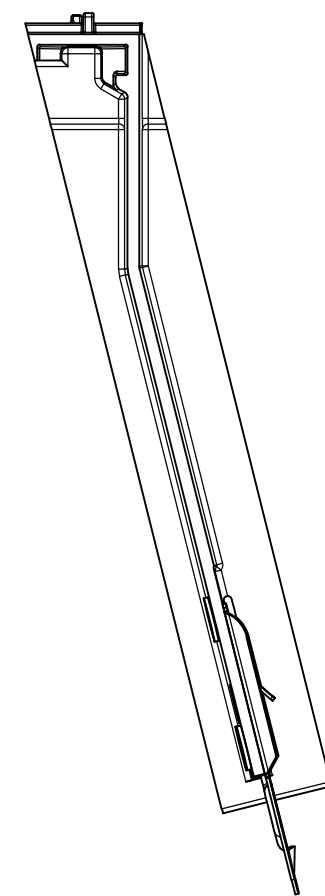
60° Right Angle Bracket



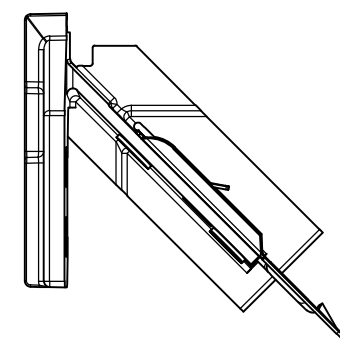
75° Left Angle Bracket



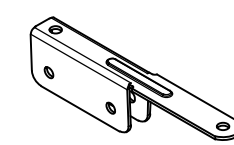
75° Double Angle Bracket



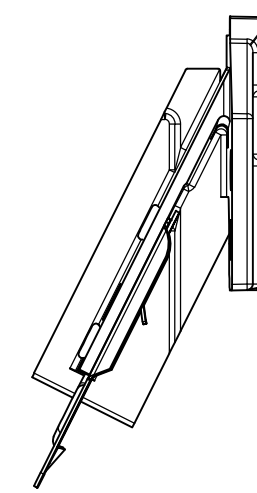
75° Right Angle Bracket



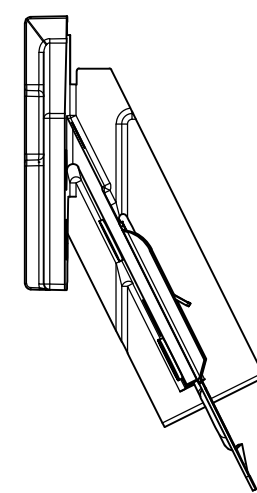
45° Corner Bracket



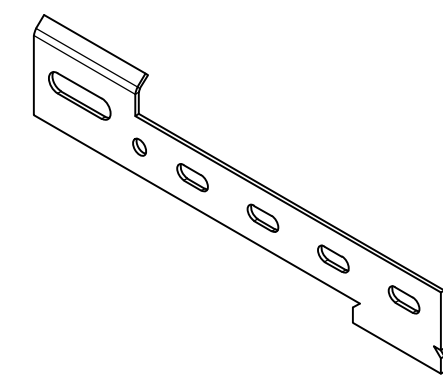
Perimeter Angle Clip (PAC)
SCALE 1 / 2



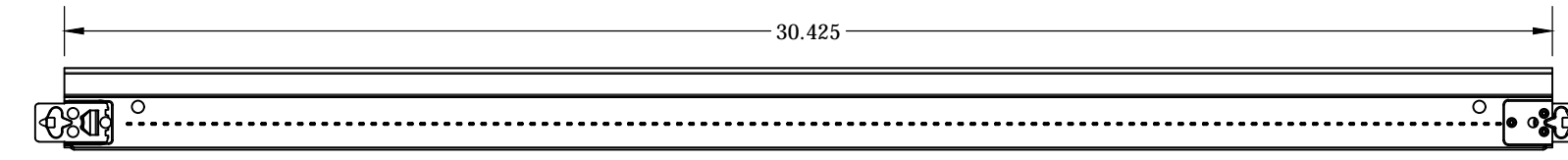
60° Left Corner Bracket



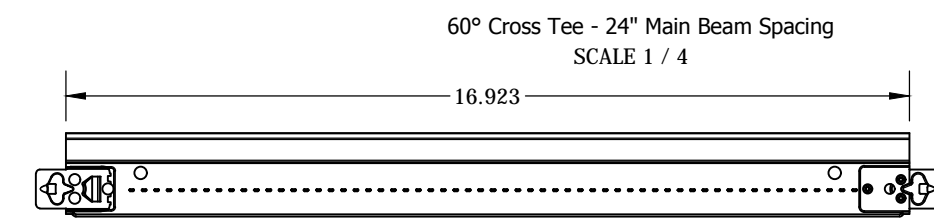
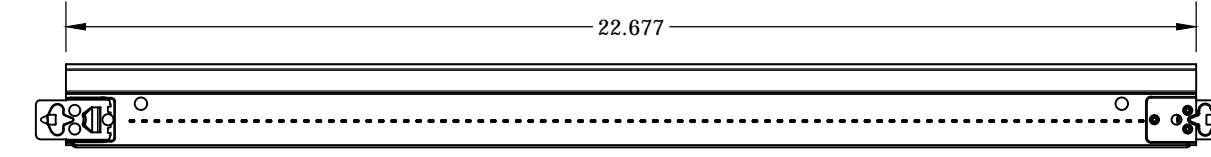
60° Right Corner Bracket



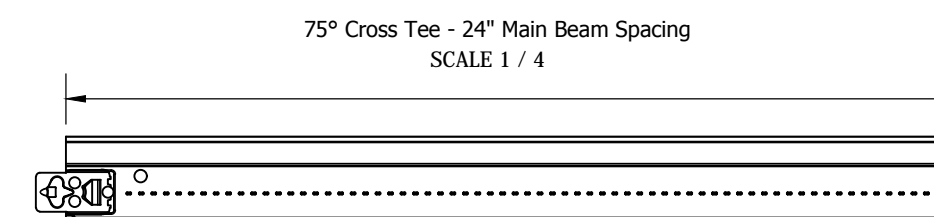
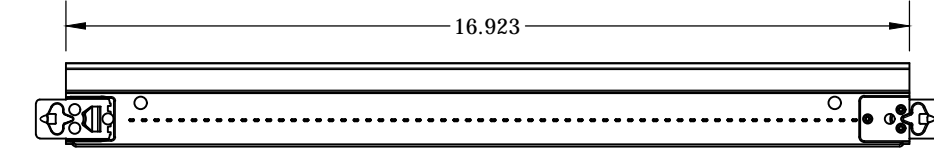
Axom Perimeter Corner Clip (PCC)
SCALE 1 / 2



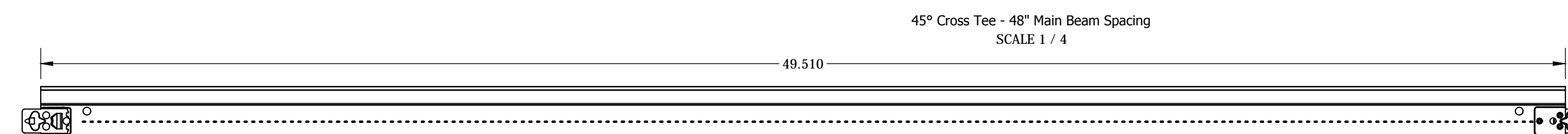
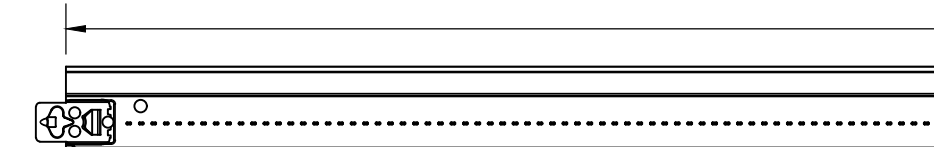
45° Cross Tee - 24" Main Beam Spacing
SCALE 1 / 4



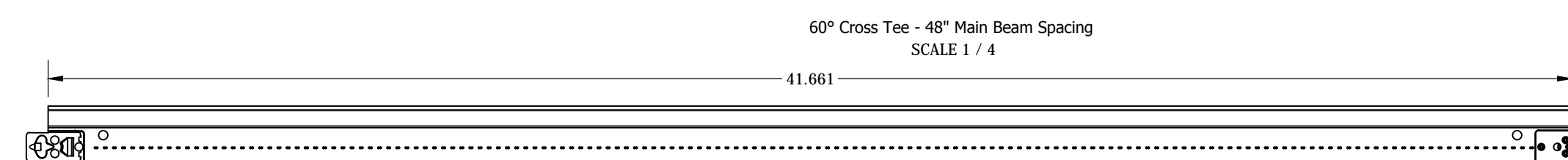
60° Cross Tee - 24" Main Beam Spacing
SCALE 1 / 4



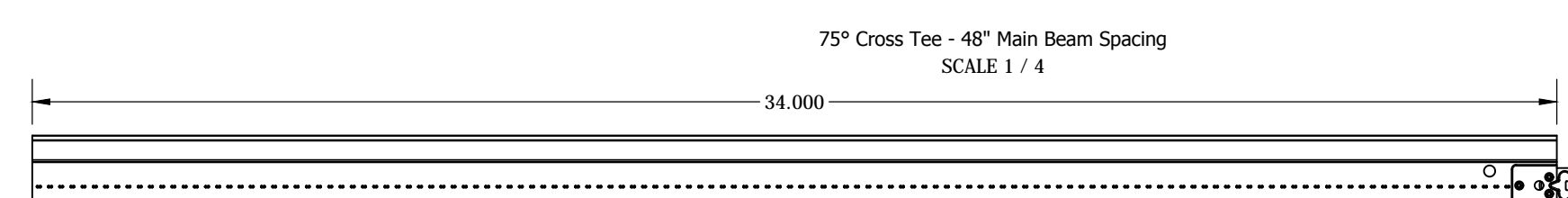
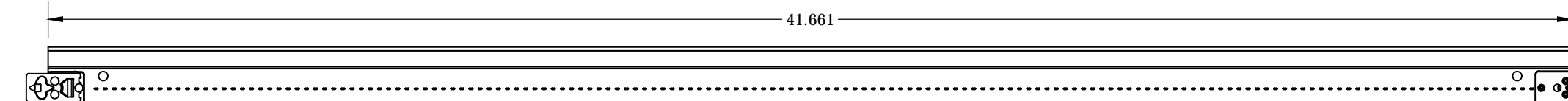
75° Cross Tee - 24" Main Beam Spacing
SCALE 1 / 4



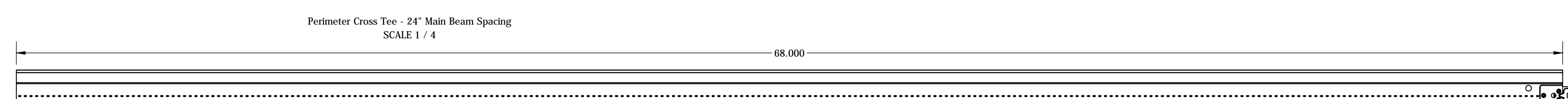
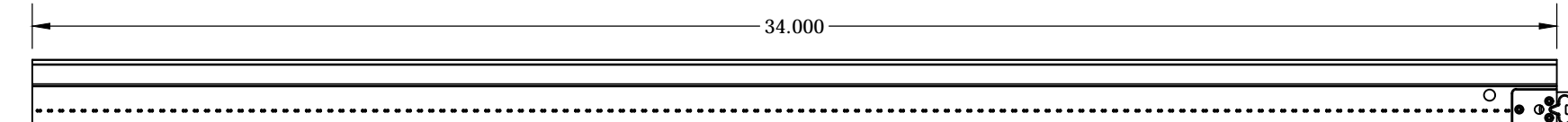
45° Cross Tee - 48" Main Beam Spacing
SCALE 1 / 4



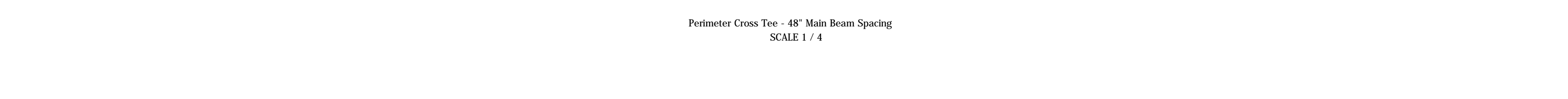
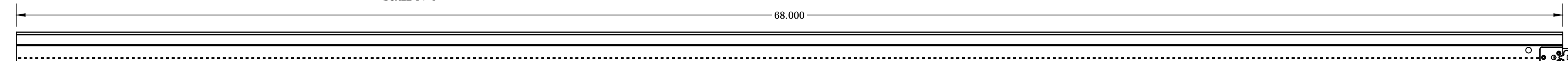
60° Cross Tee - 48" Main Beam Spacing
SCALE 1 / 4



75° Cross Tee - 48" Main Beam Spacing
SCALE 1 / 4



Perimeter Cross Tee - 24" Main Beam Spacing
SCALE 1 / 4



Perimeter Cross Tee - 48" Main Beam Spacing
SCALE 1 / 4

