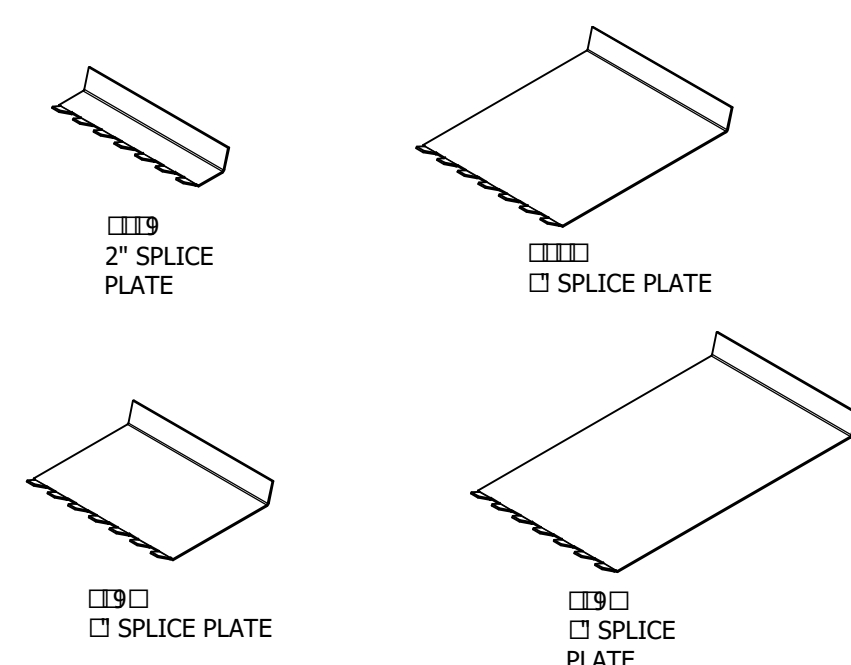
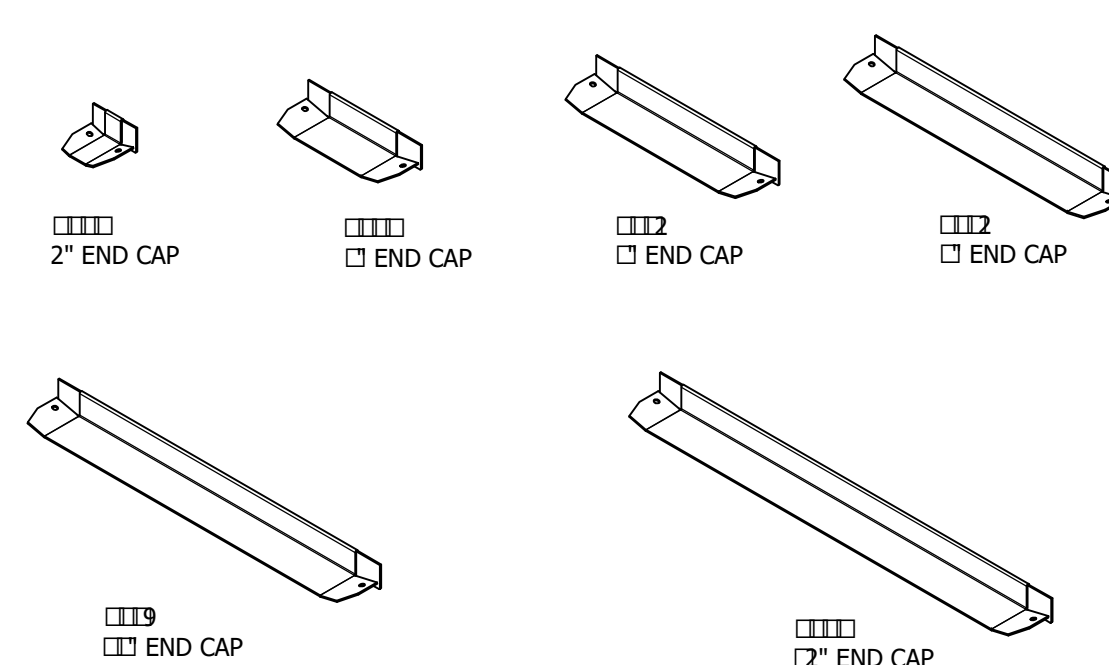


2" THROUGH 12" LINEAR PLANKS



1 SPlice PLATE

2 SPlice PLATE

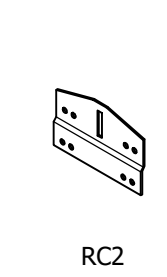


1 2" END CAP

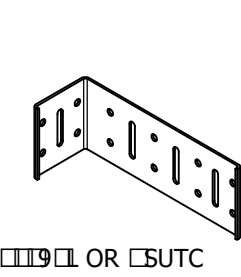
2 12" END CAP

3 2" END CAP

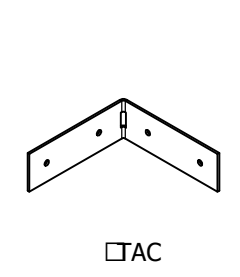
4 12" END CAP



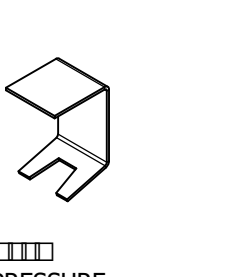
RC2



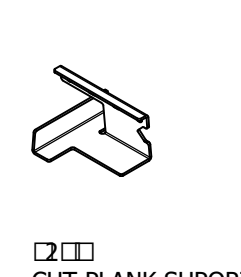
RC1 OR RC1TC RIGID ATTACHMENT CLIP BRACK



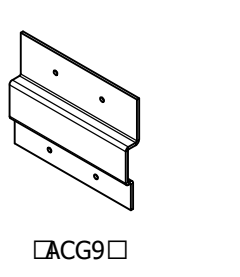
LTAC



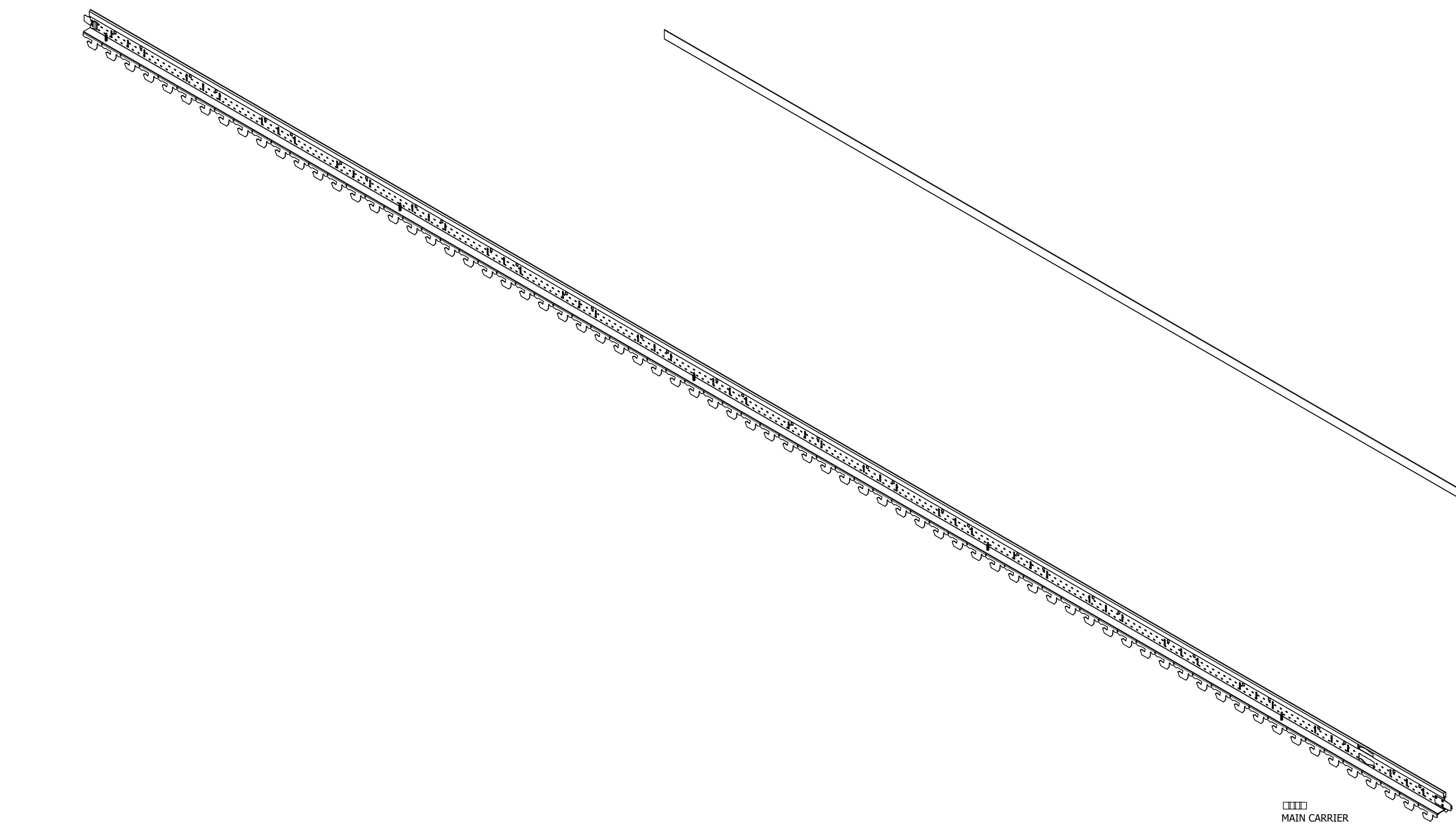
1 PRESSURE SPRING



1 CUT PLANK SUPPORT BRACKET

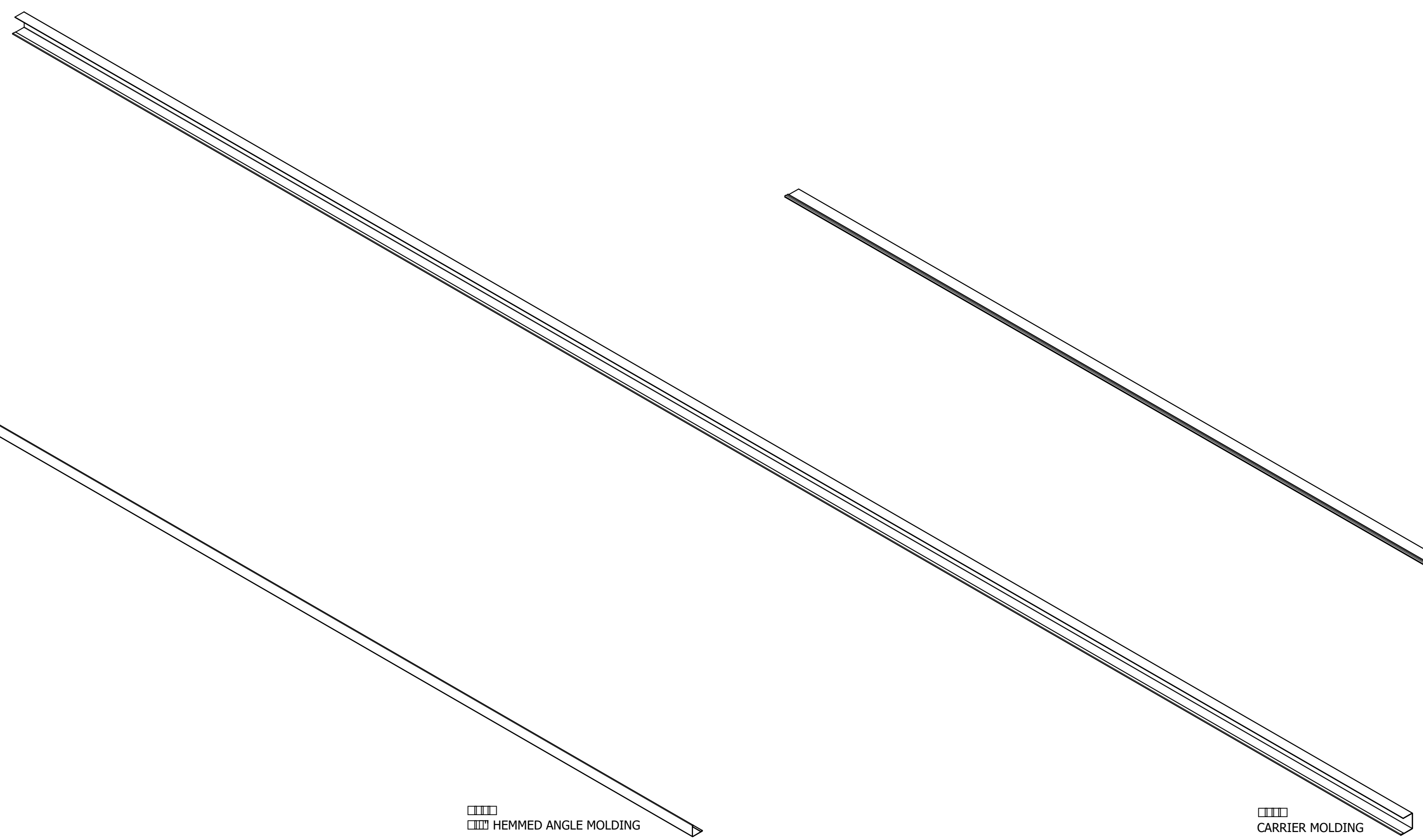


2 CUT PLANK SUPPORT BRACKET



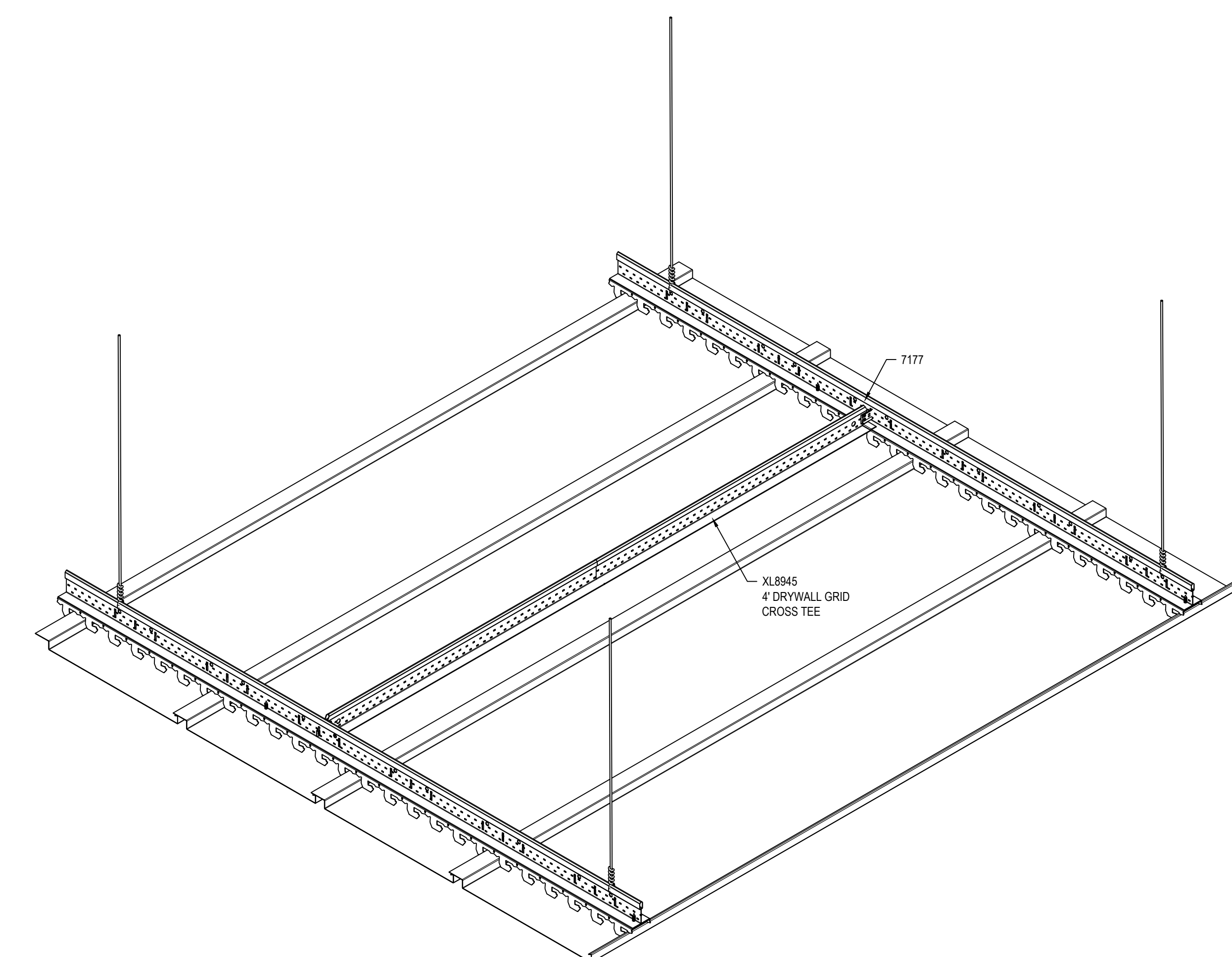
1 MAIN CARRIER

1 HEMMED ANGLE MOLDING

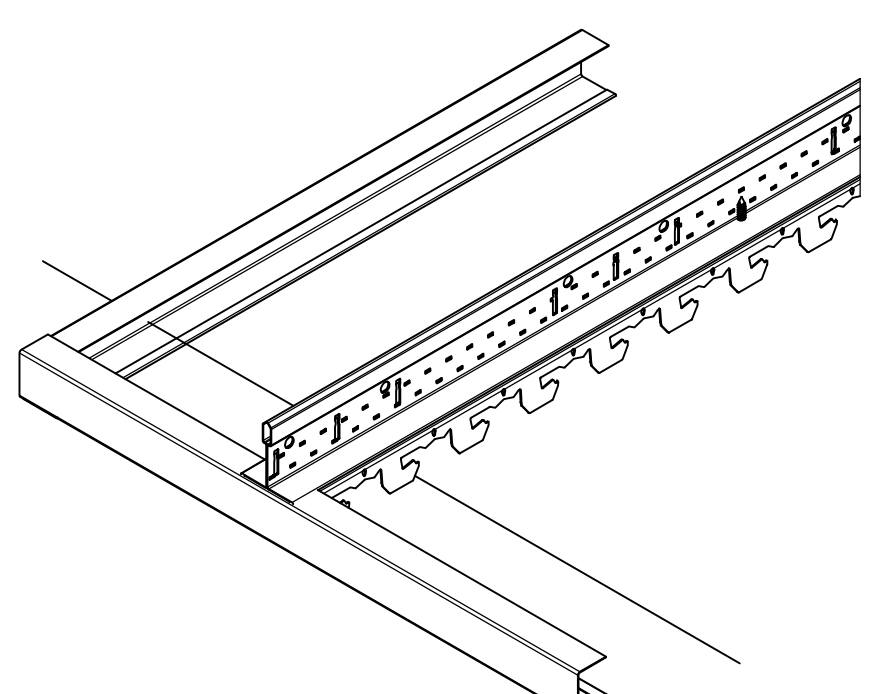


1 CARRIER MOLDING

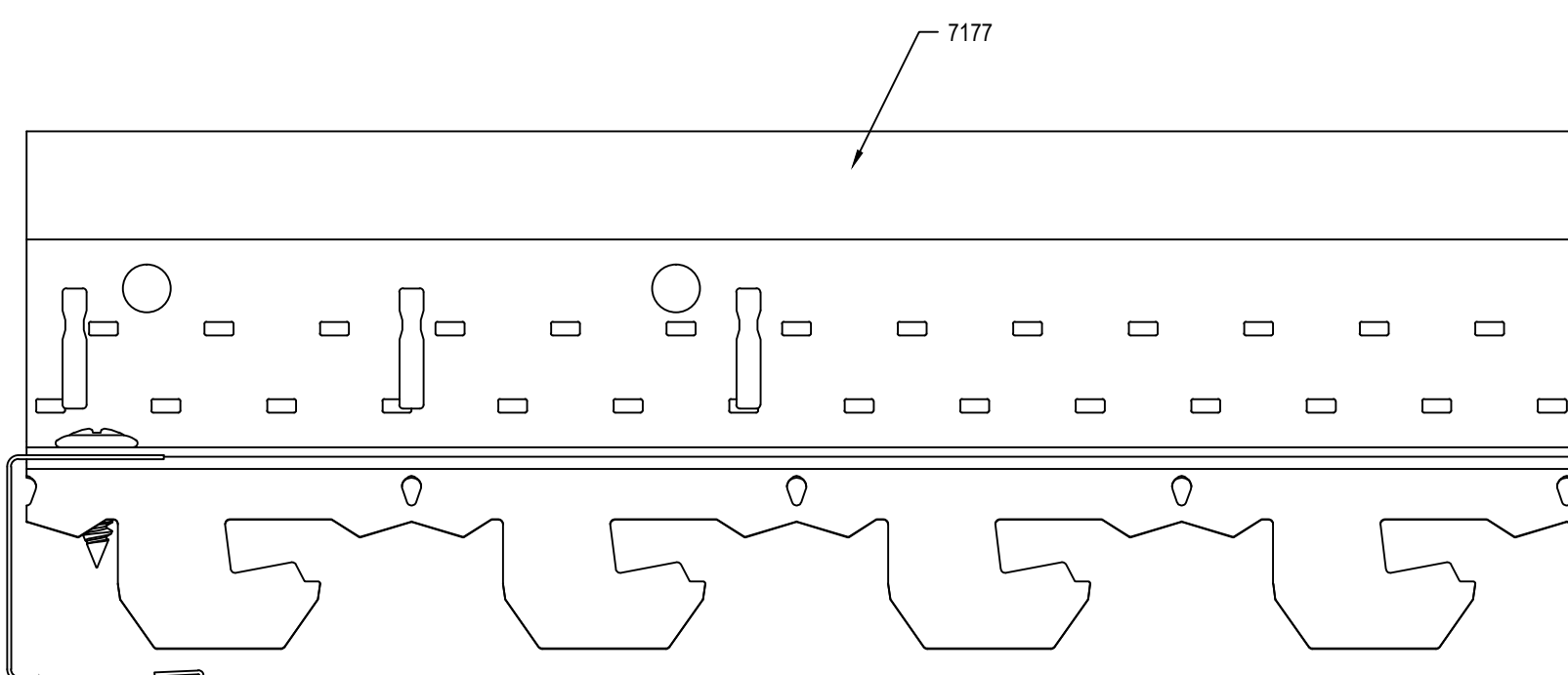
1 CONTRAST FILLER STRIP



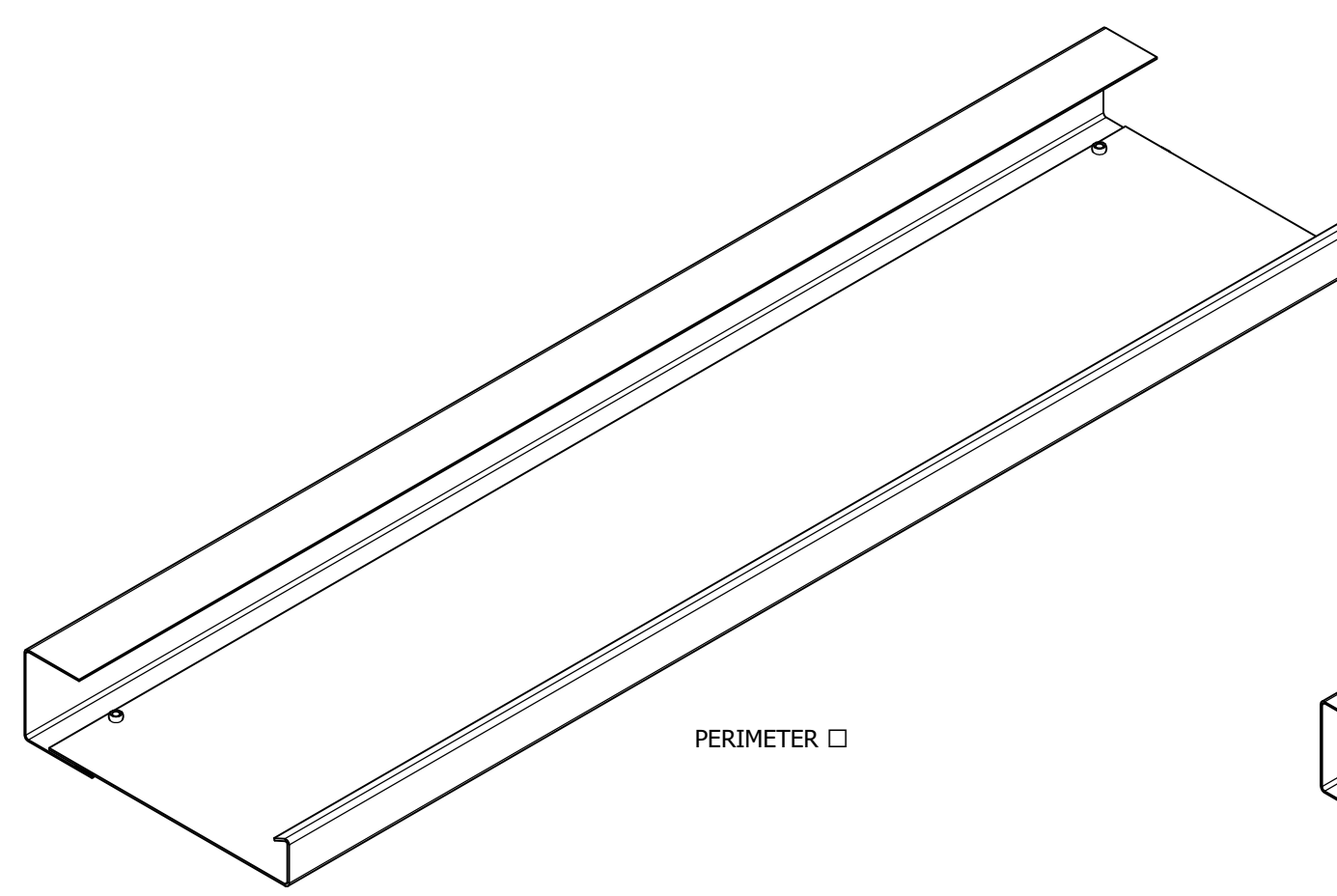
GENERAL PRODUCT OVERVIEW



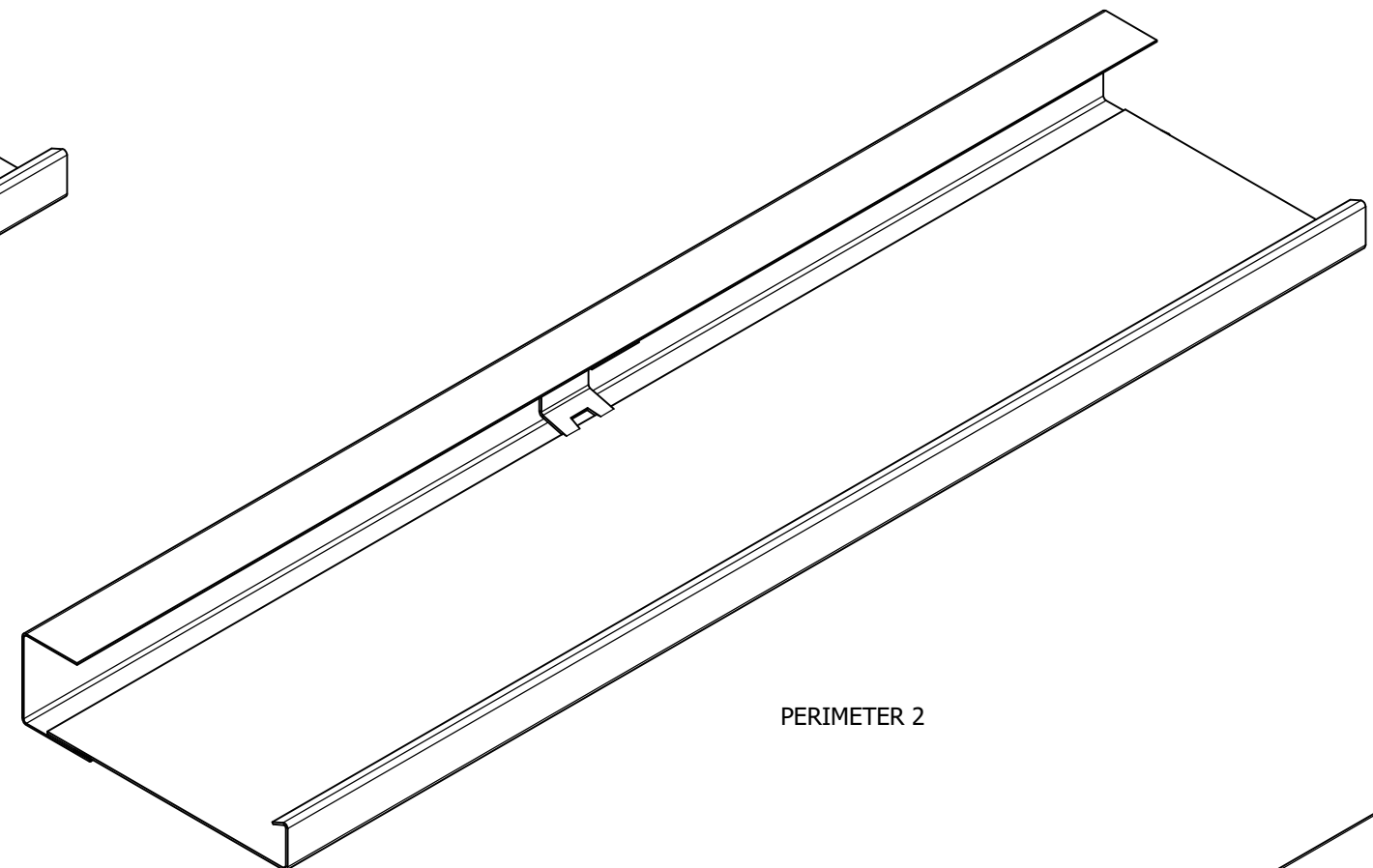
STRING LINE PLACEMENT



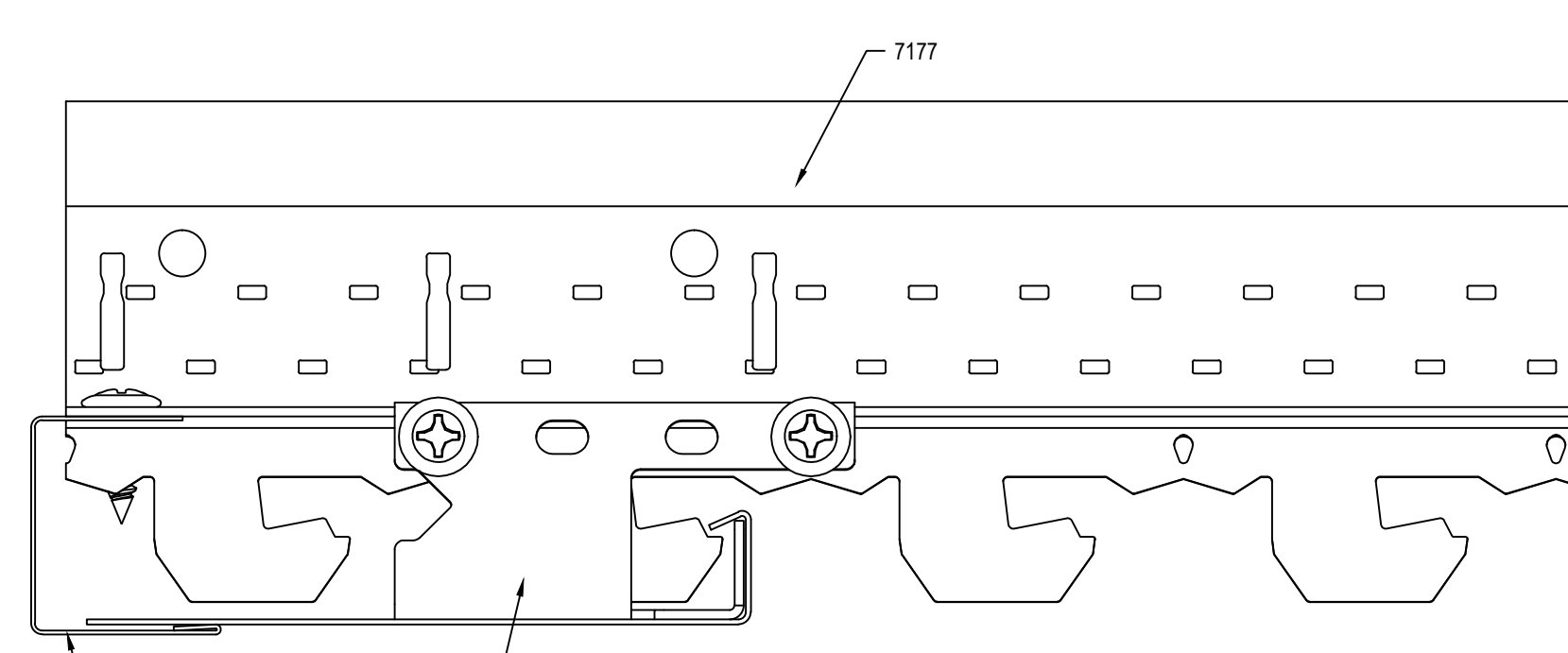
MAIN CARRIER ATTACHMENT



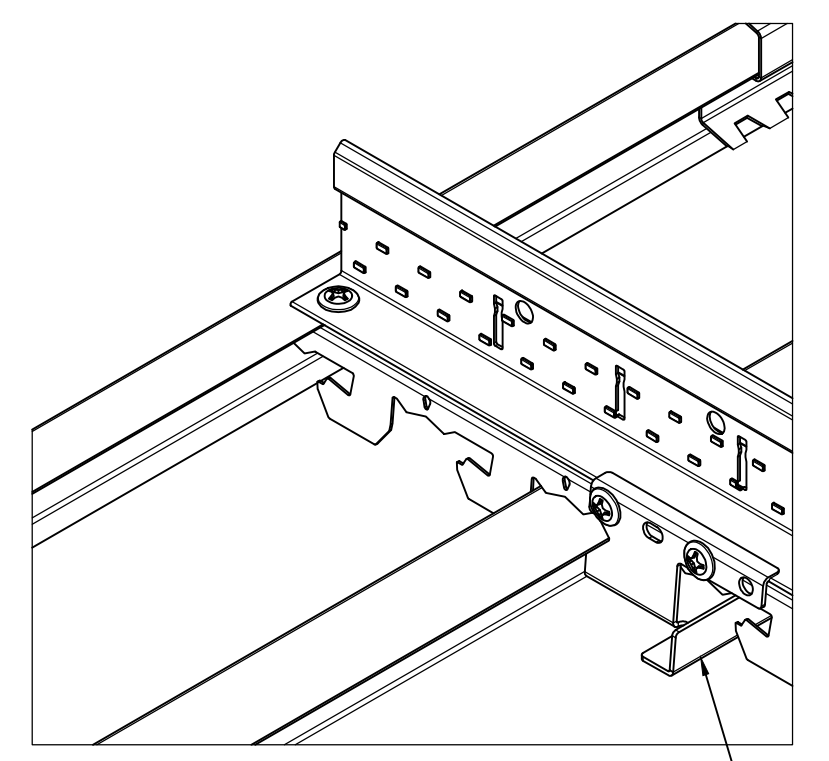
PERIMETER 1



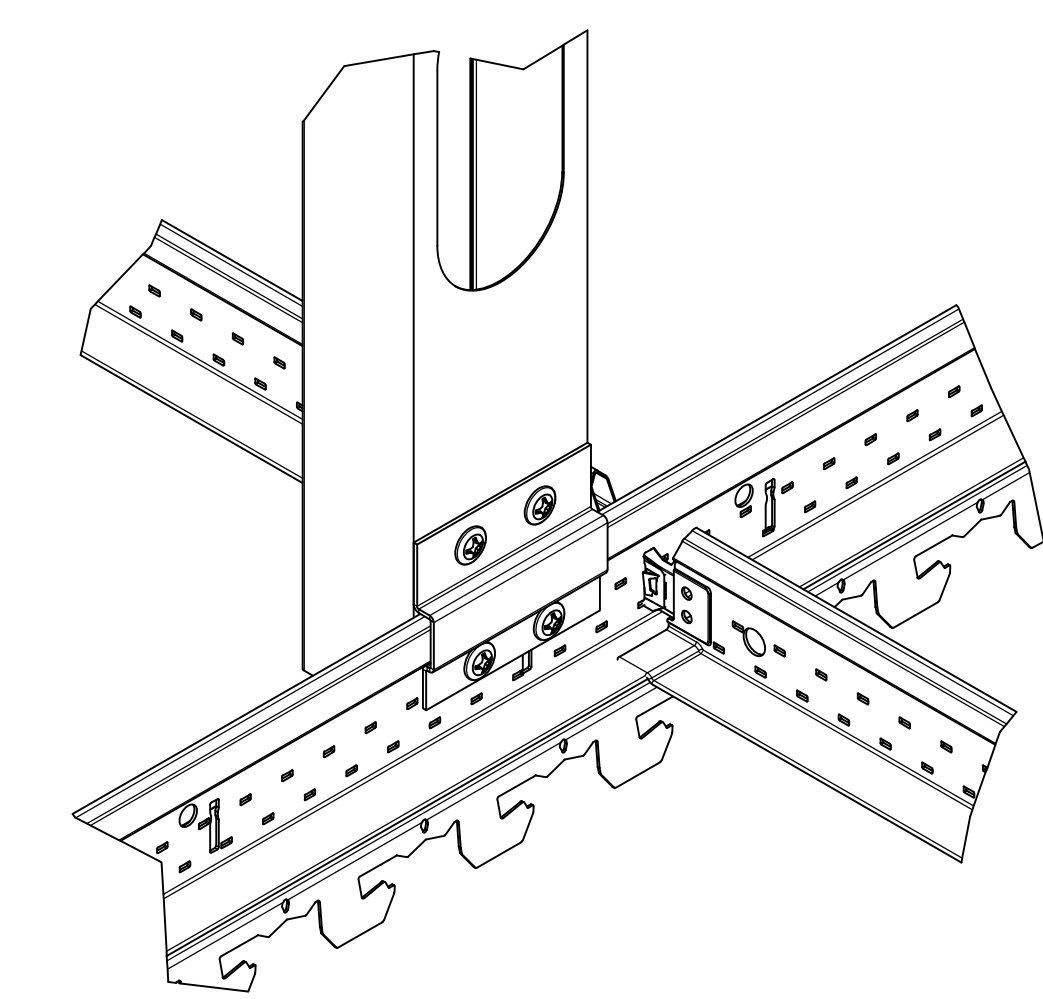
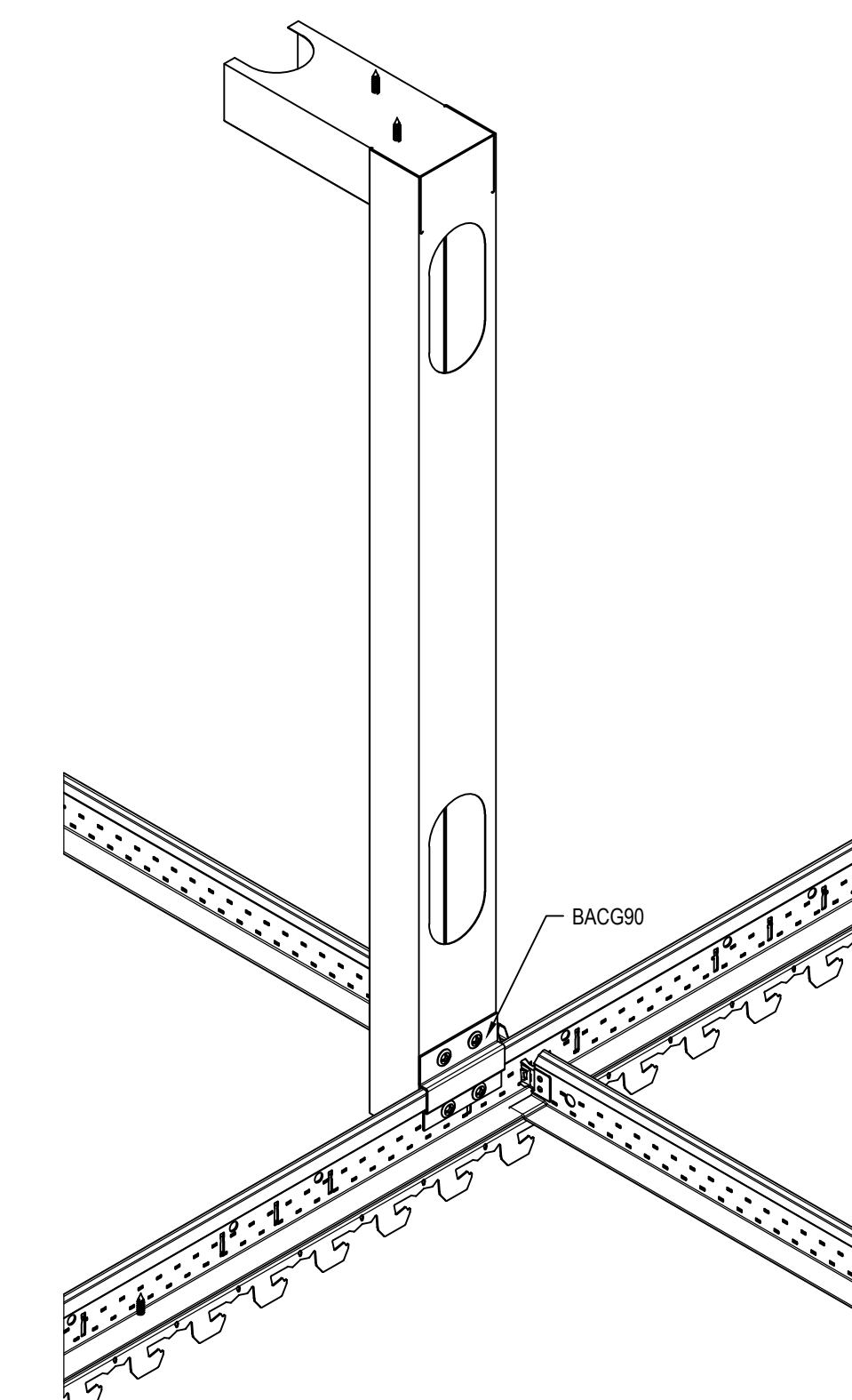
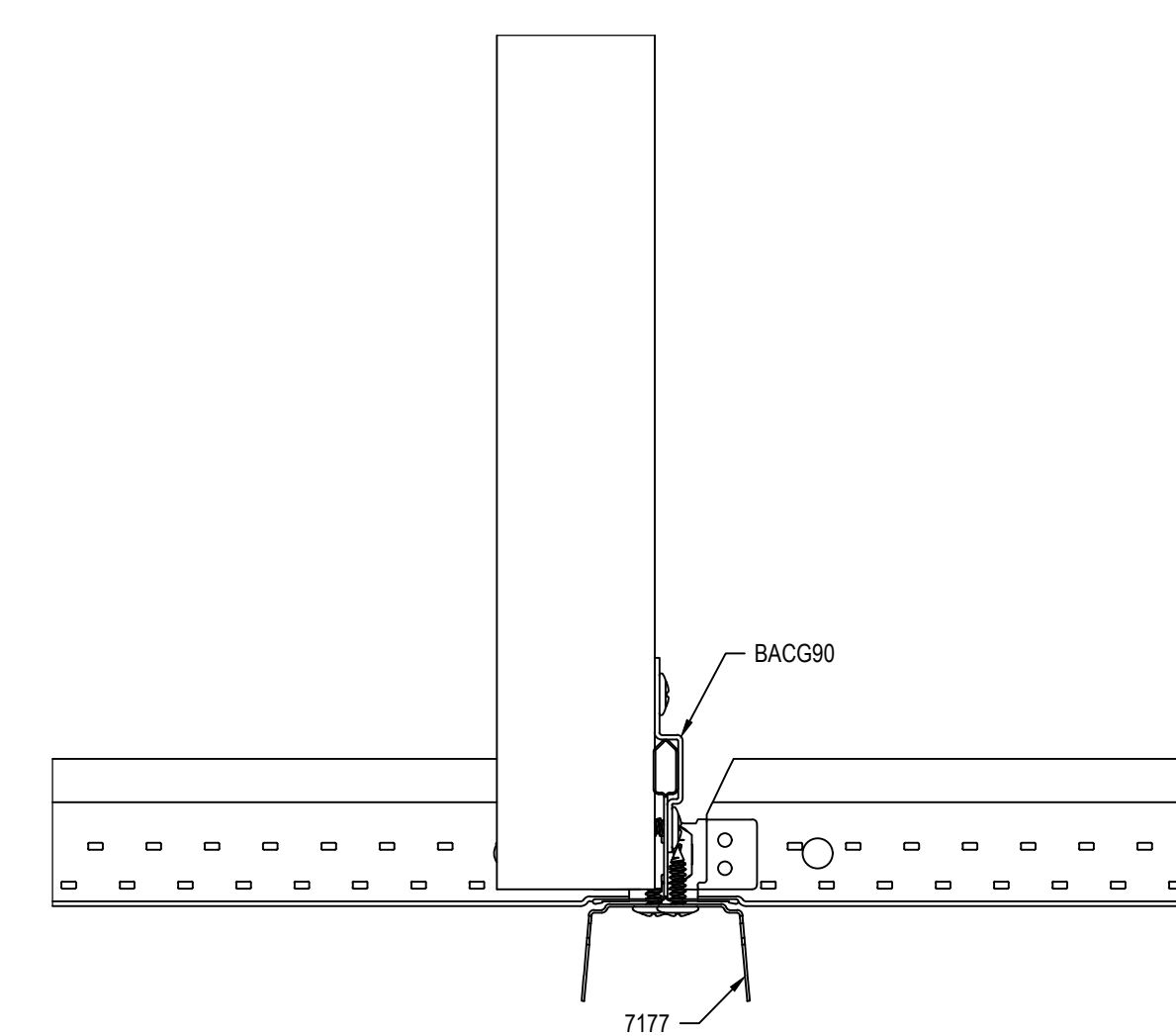
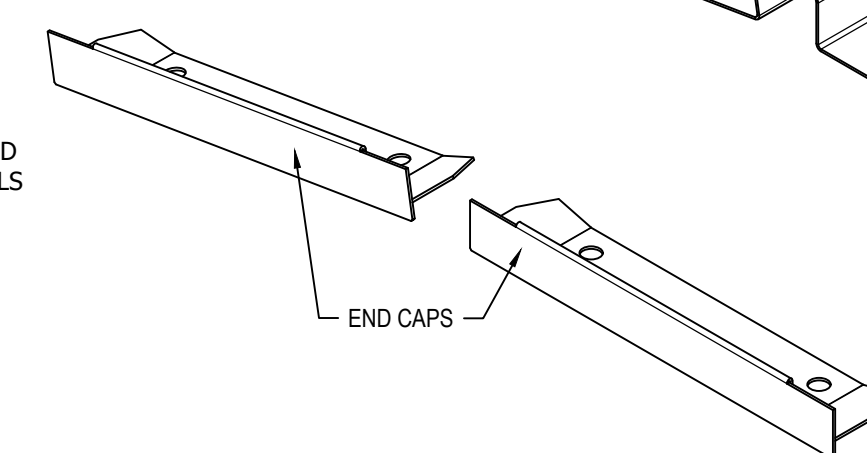
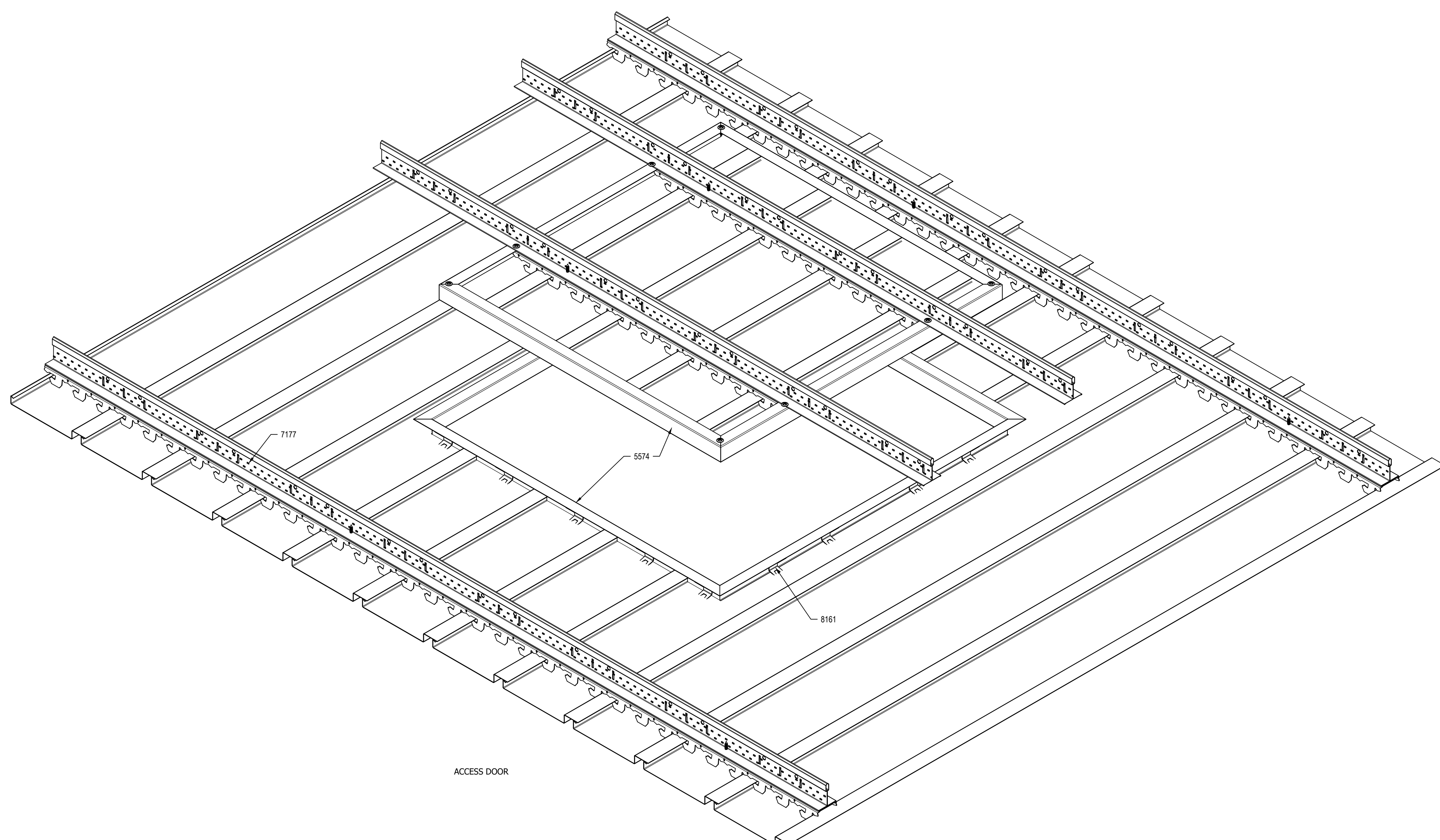
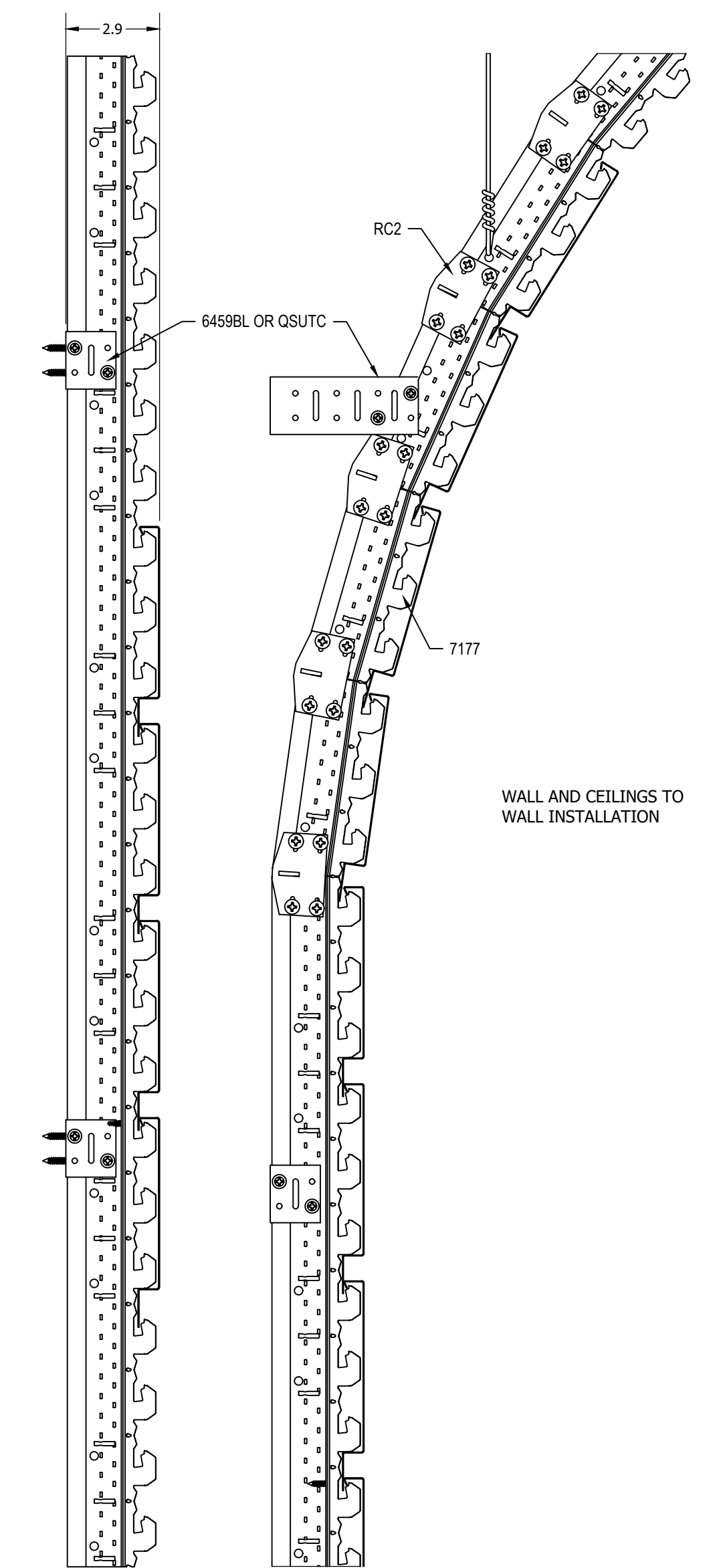
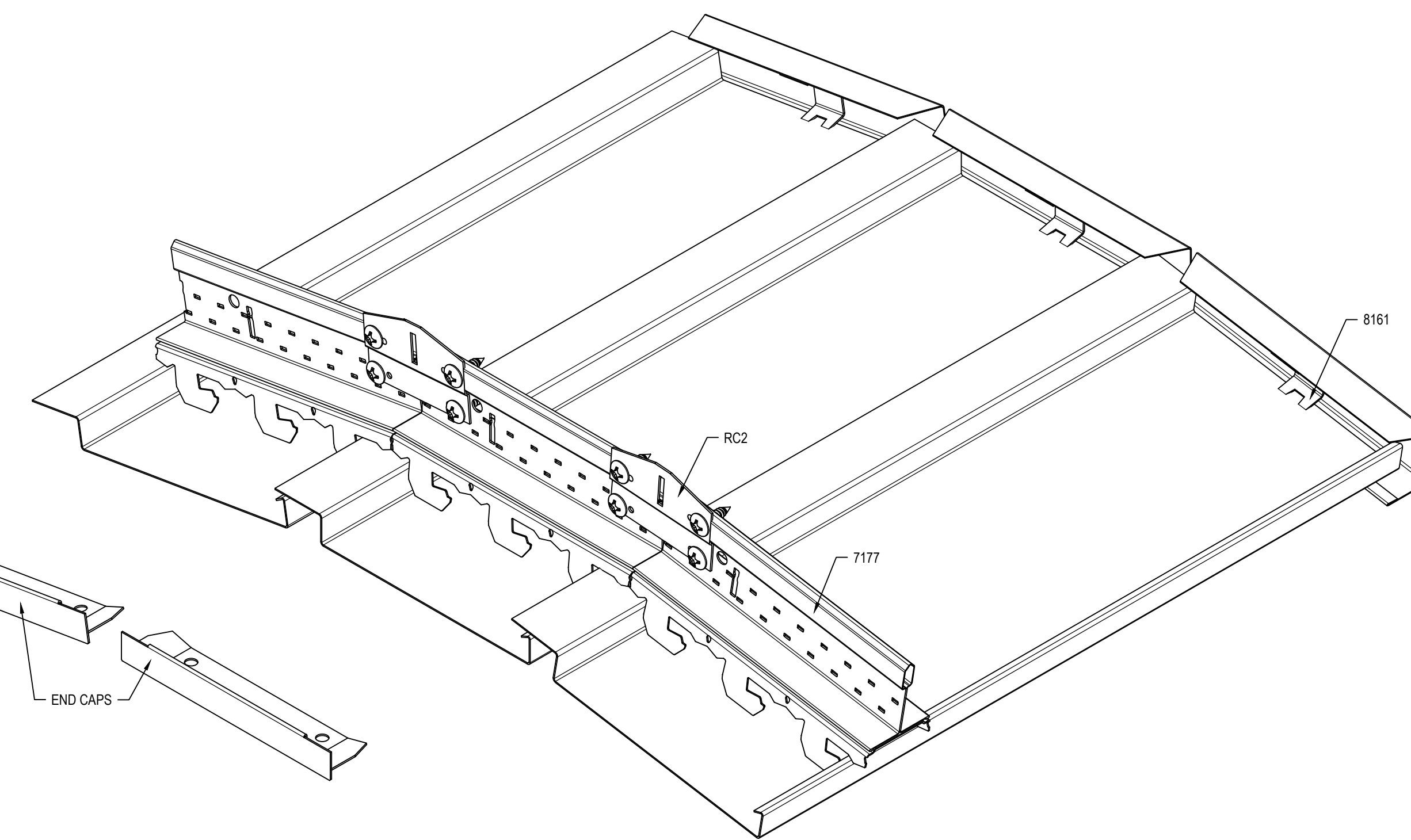
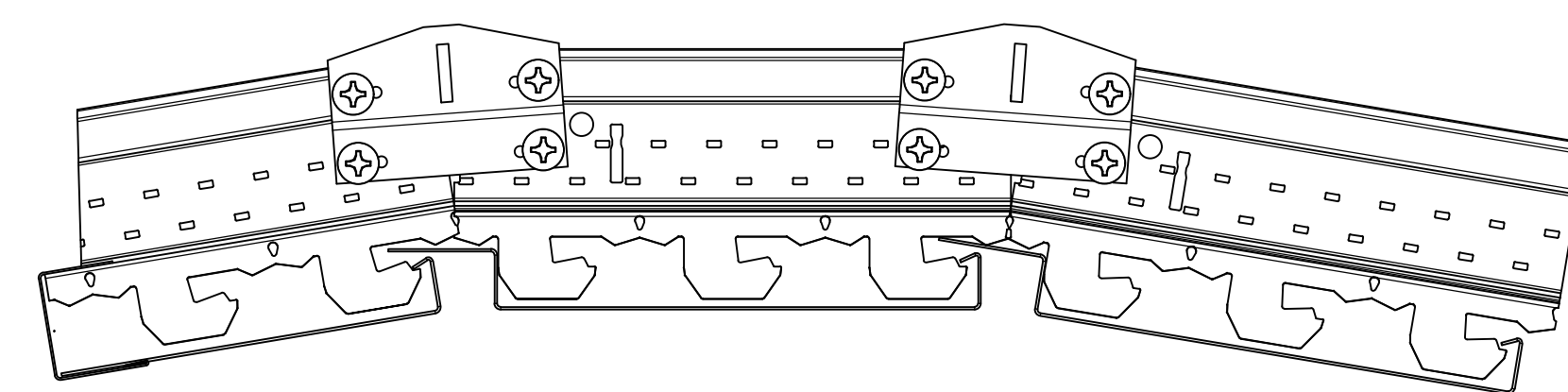
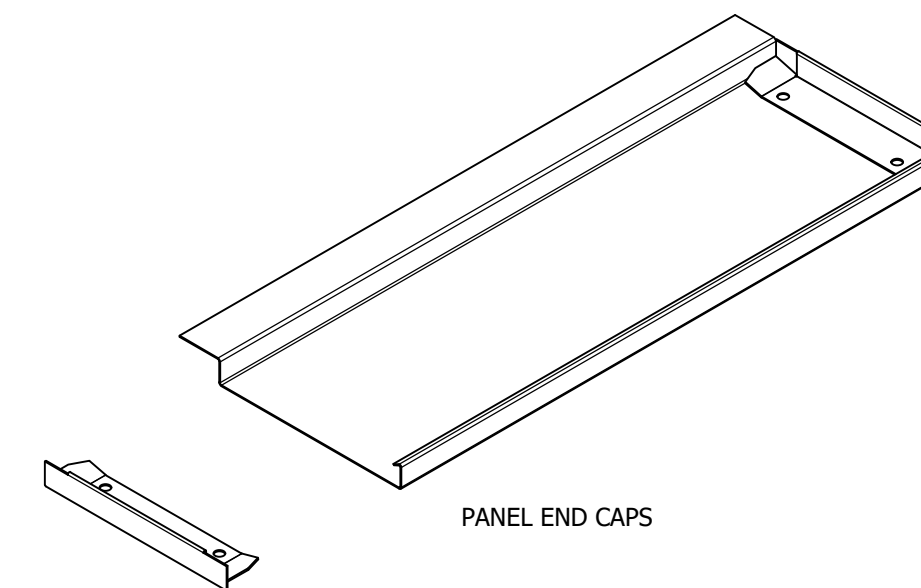
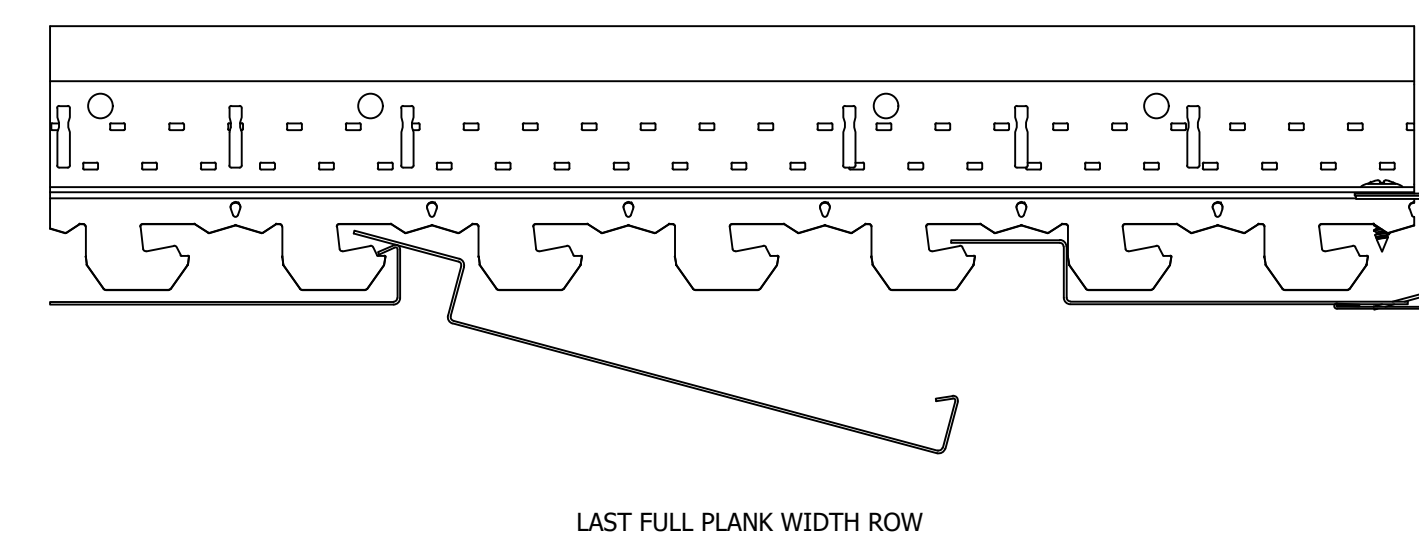
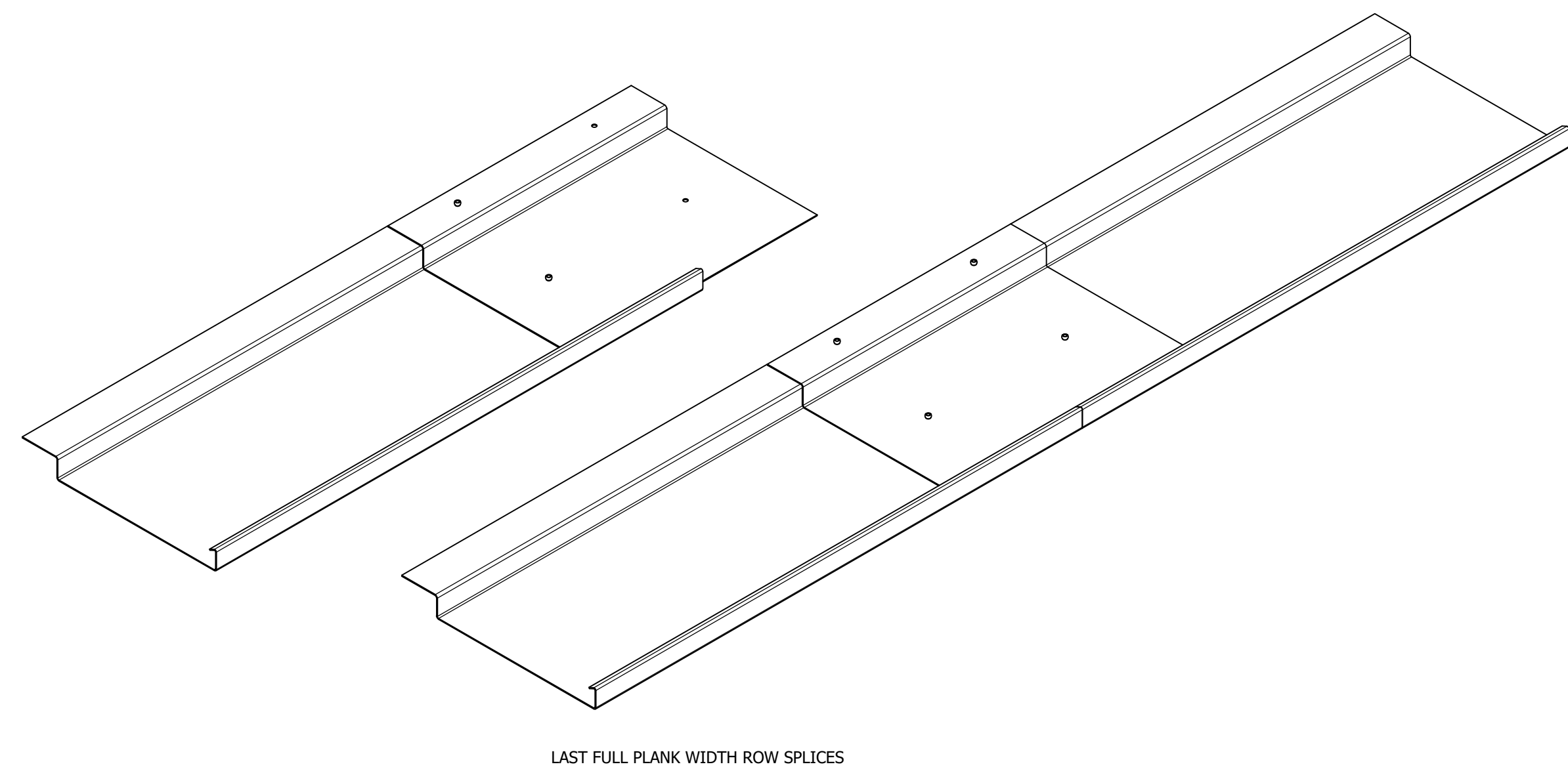
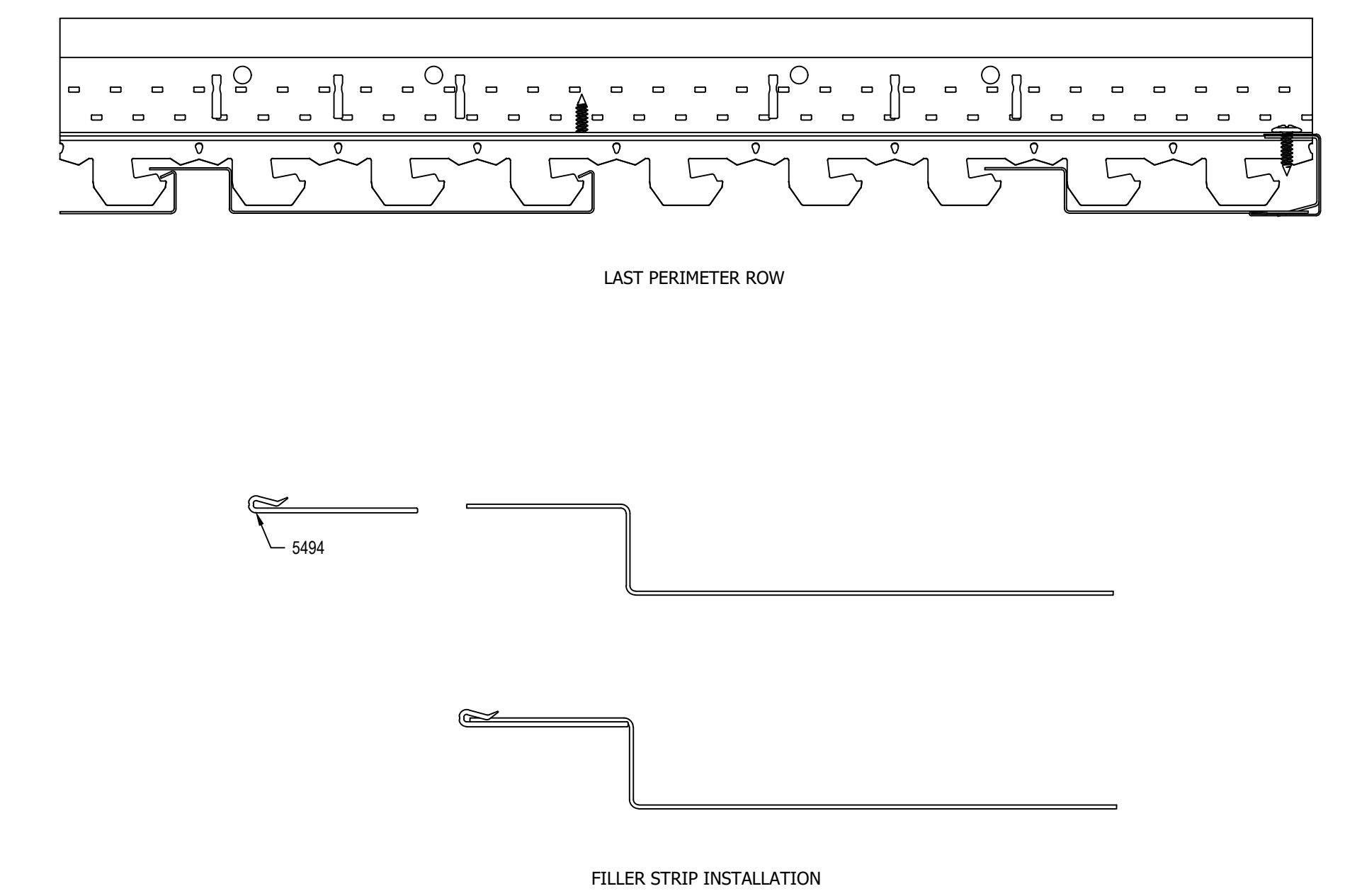
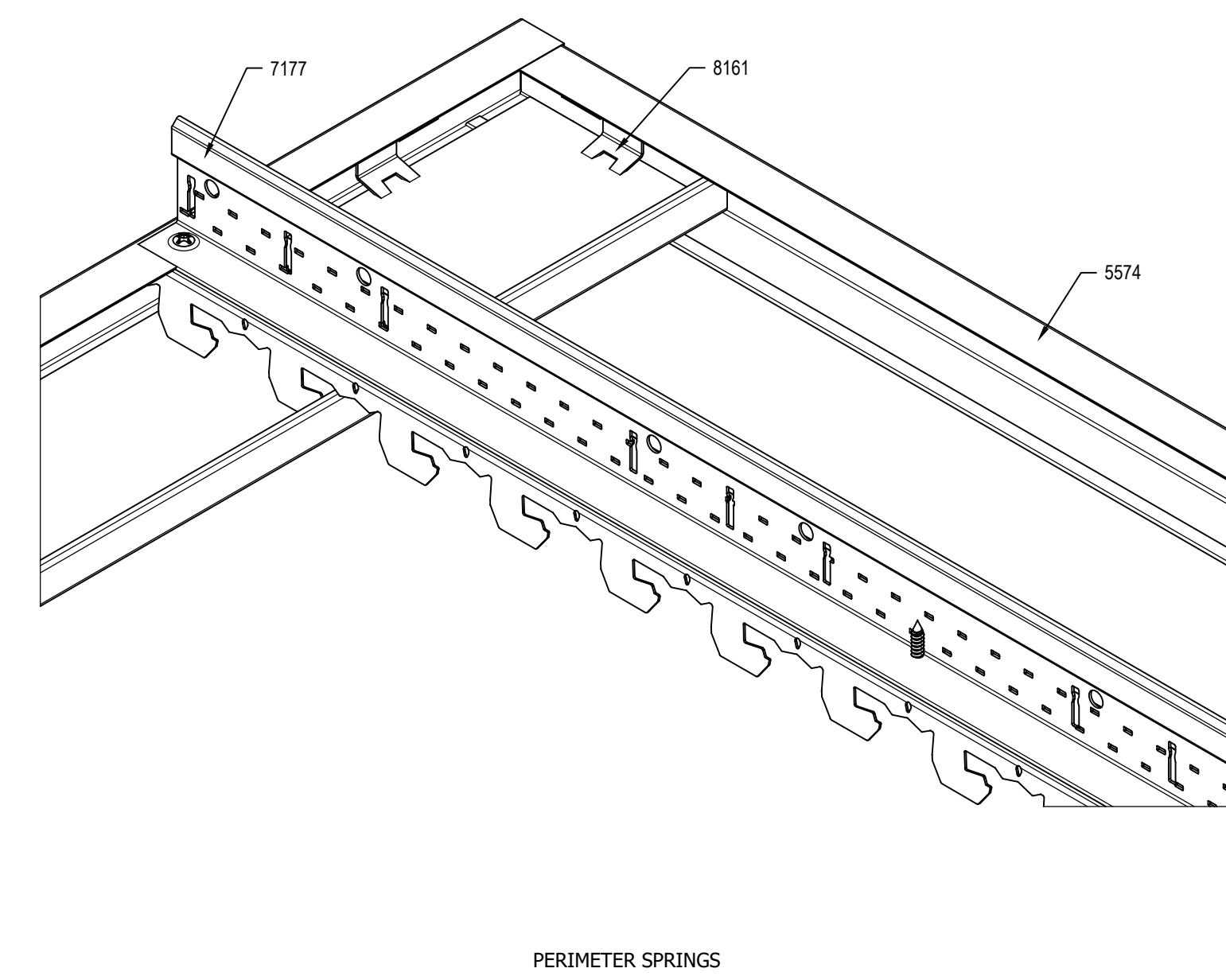
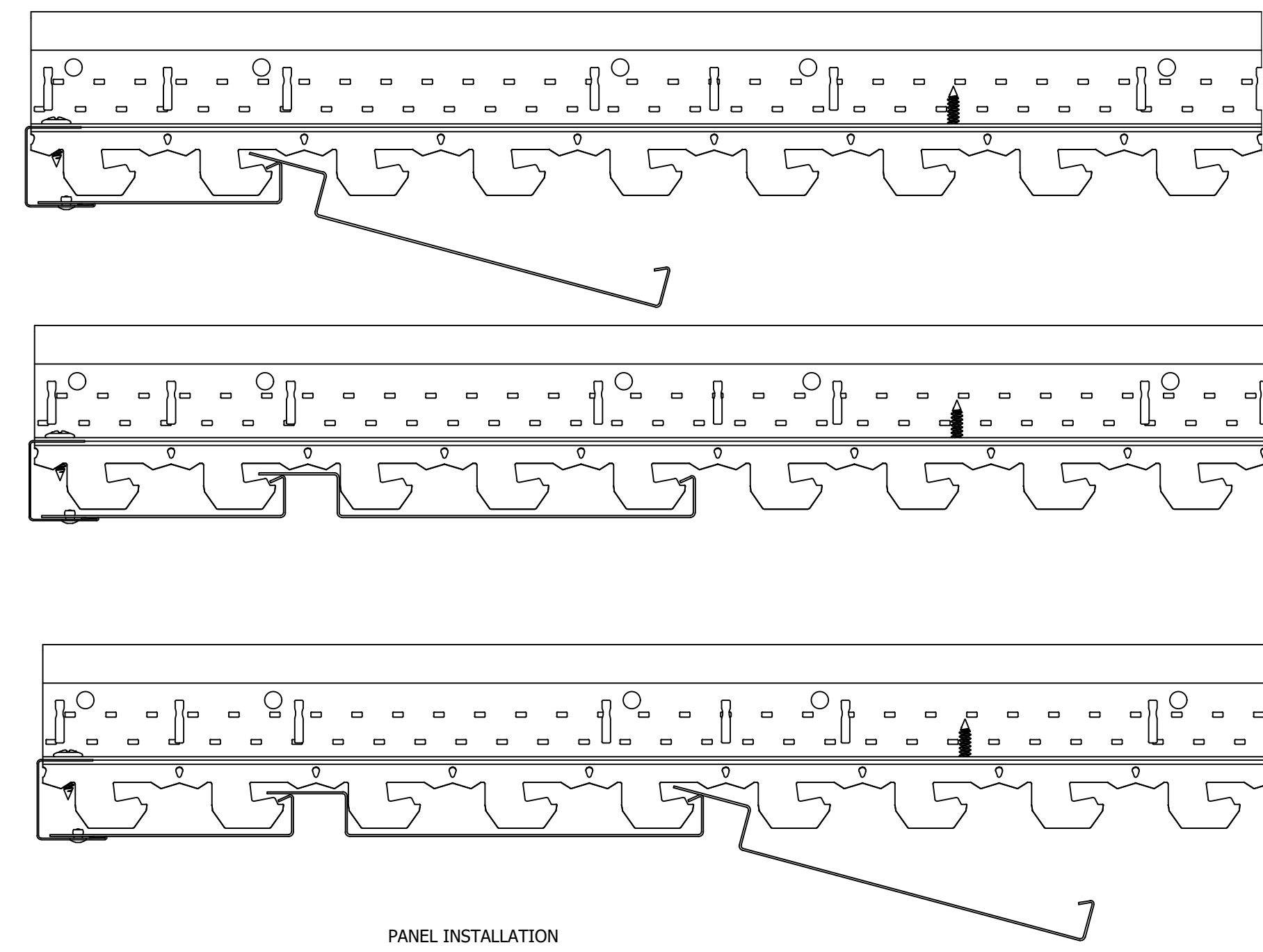
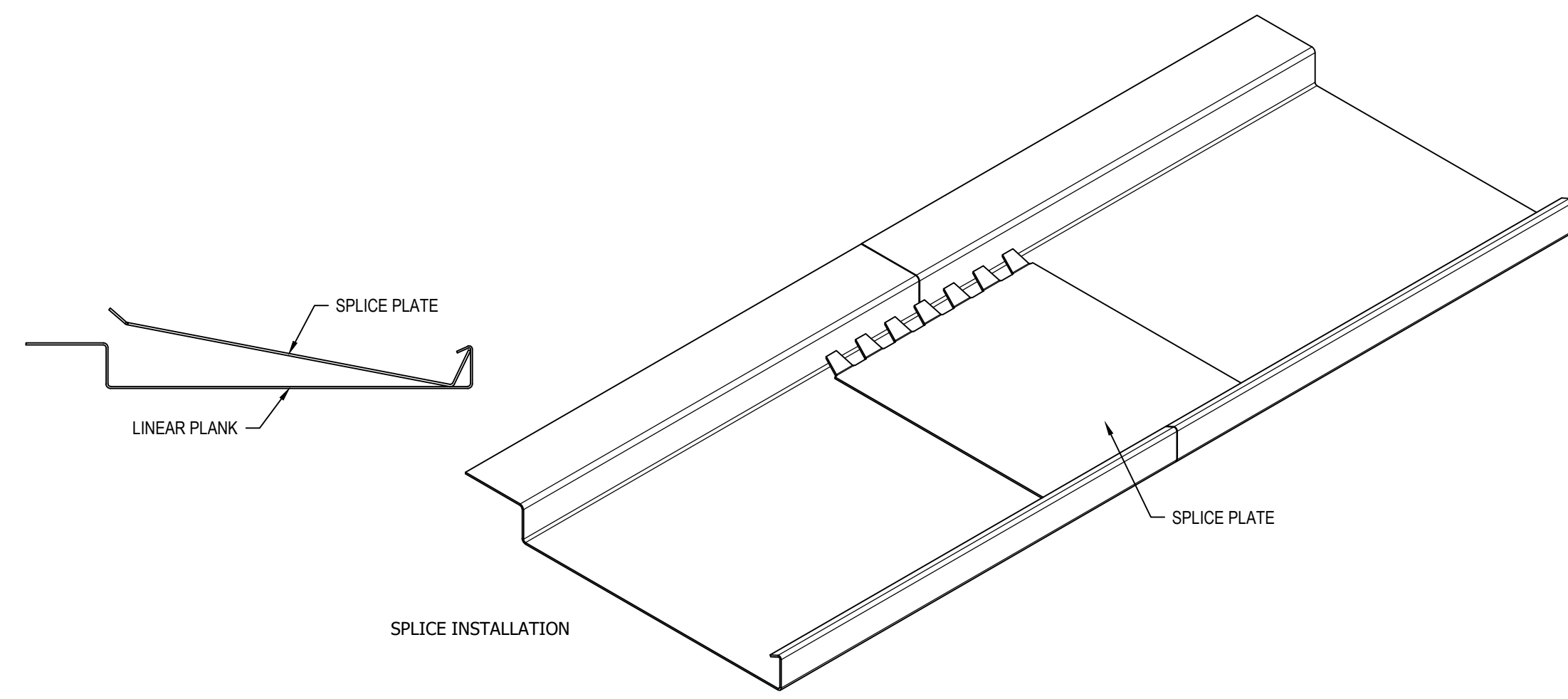
PERIMETER 2



CUT PLANK SUPPORT BRACKET 1



CUT PLANK SUPPORT BRACKET 2



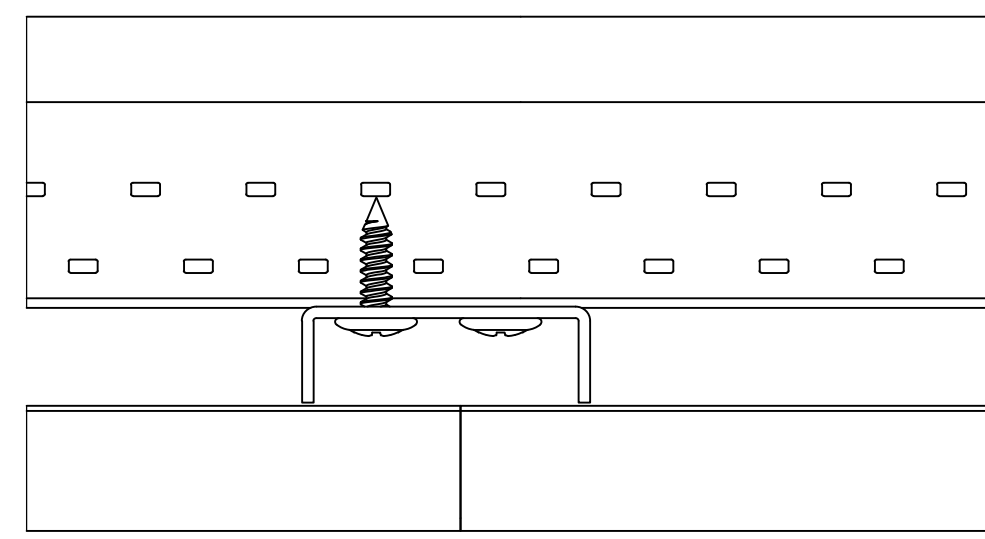
These drawings show typical conditions in which the Armstrong product depicted is installed. They are not intended to be an alternative or equivalent to the specific requirements of local building codes, state, and national codes and regulations (Large Requirements) that may be applicable to a particular installation.

Armstrong Ceiling Solutions does not warrant, and assumes no liability for the accuracy or completeness of the drawings for a particular installation or their fitness for a particular purpose. It is advised to consult with a duly licensed architect or engineer in the particular locale of the installation to ensure compliance with all applicable requirements.

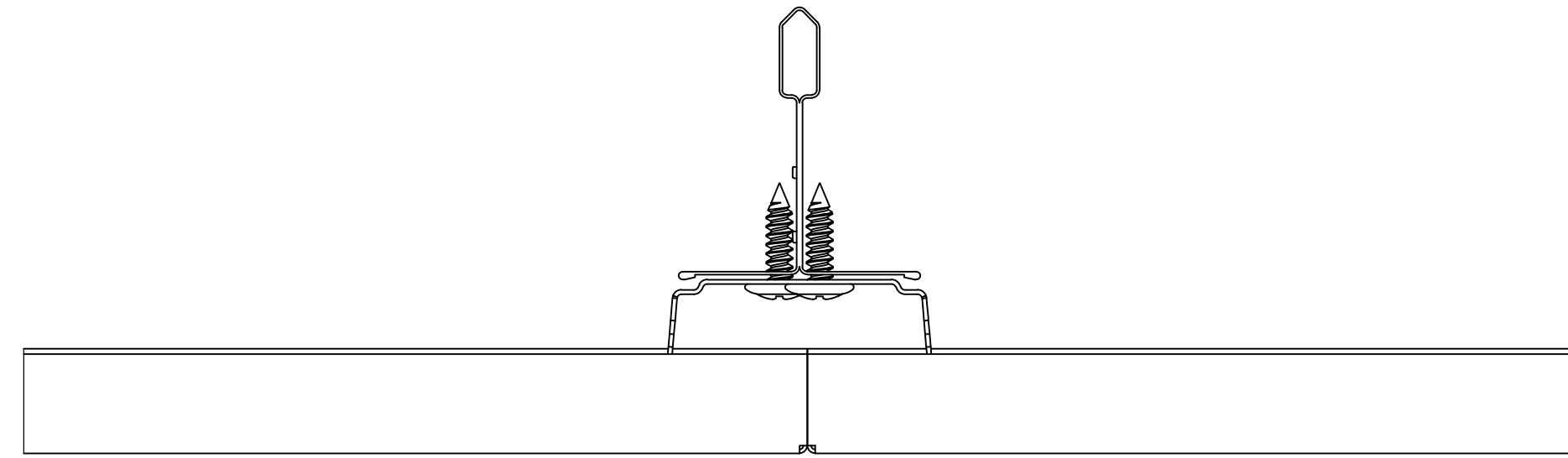
Armstrong is not licensed to provide professional architectural or engineering design services.

PROJECT NAME:	METALWORKS LINEAR MASTER SHEET		
DWG. NO. SHEET 2 - INSTALLATION	REV.:	DATE:	
DATE: 5/2/17	SCALE: 6" = 1'-0"	DESC.:	
DRAWN BY: MAP	CHK BY:		

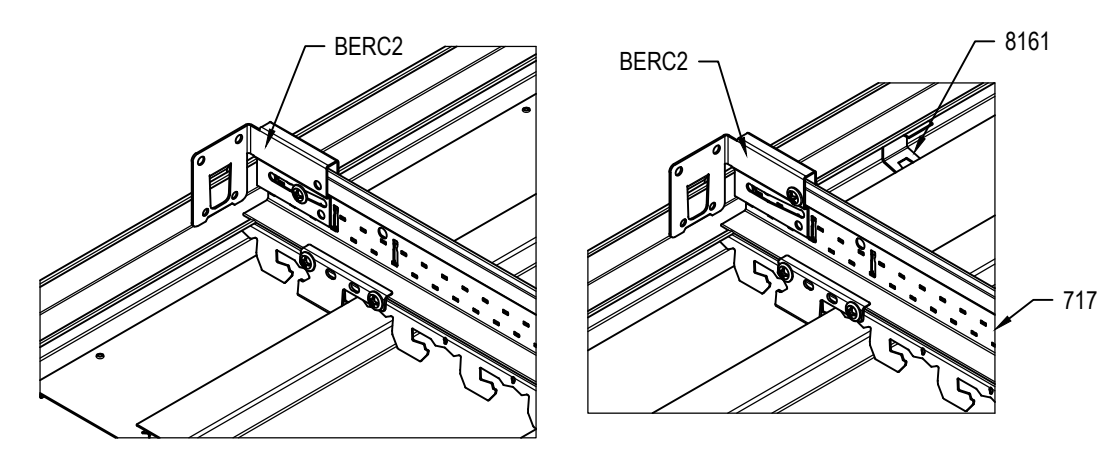
Techn ARMSTRONG CEILING SOLUTIONS • Lancaster, PA • Phone: 877-ARMSTRONG **Armstrong** CEILING SOLUTIONS



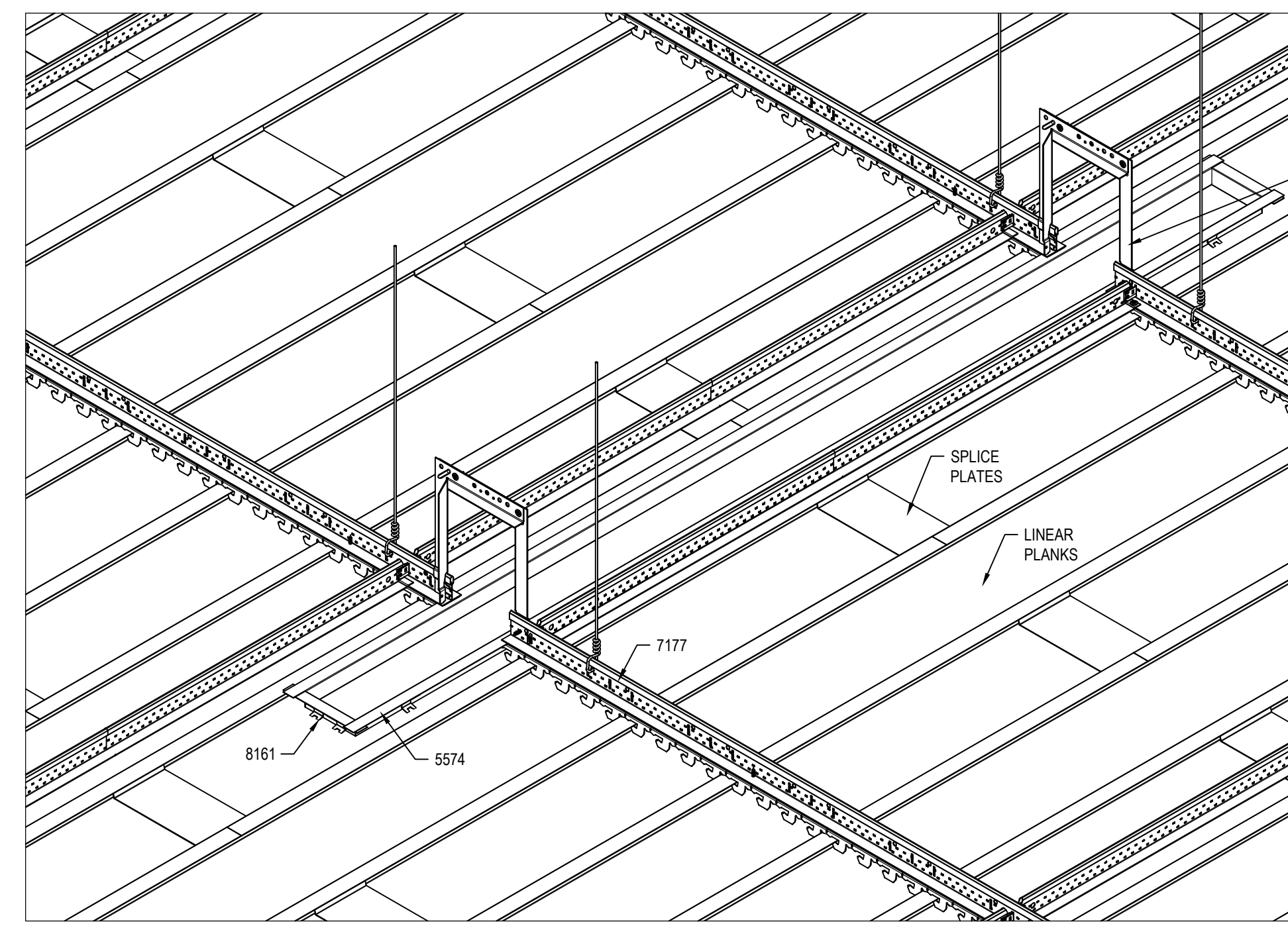
GENERAL EXTERIOR PANEL SPLICE



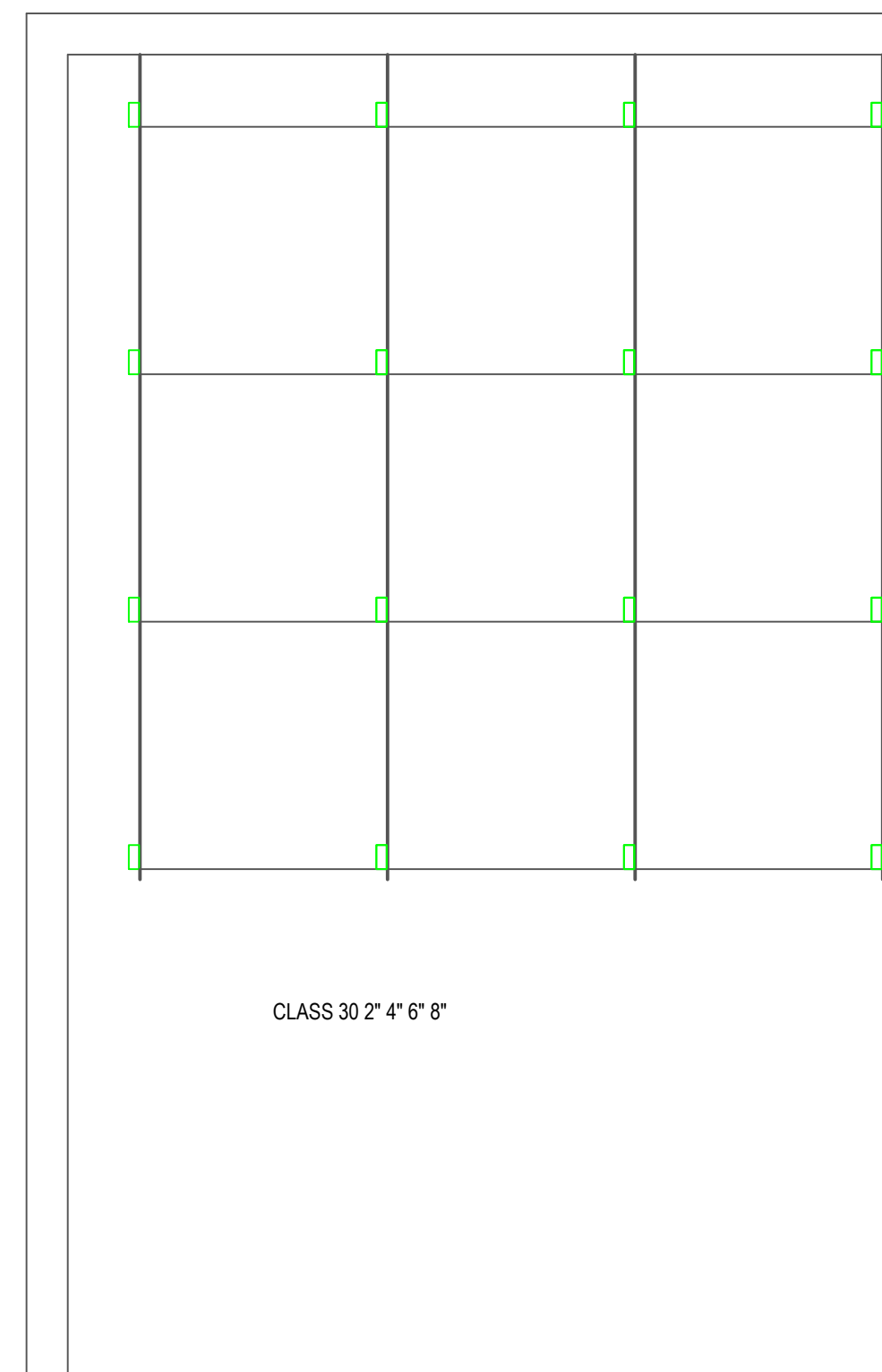
10' AND 12' EXTERIOR PANEL SPLICE



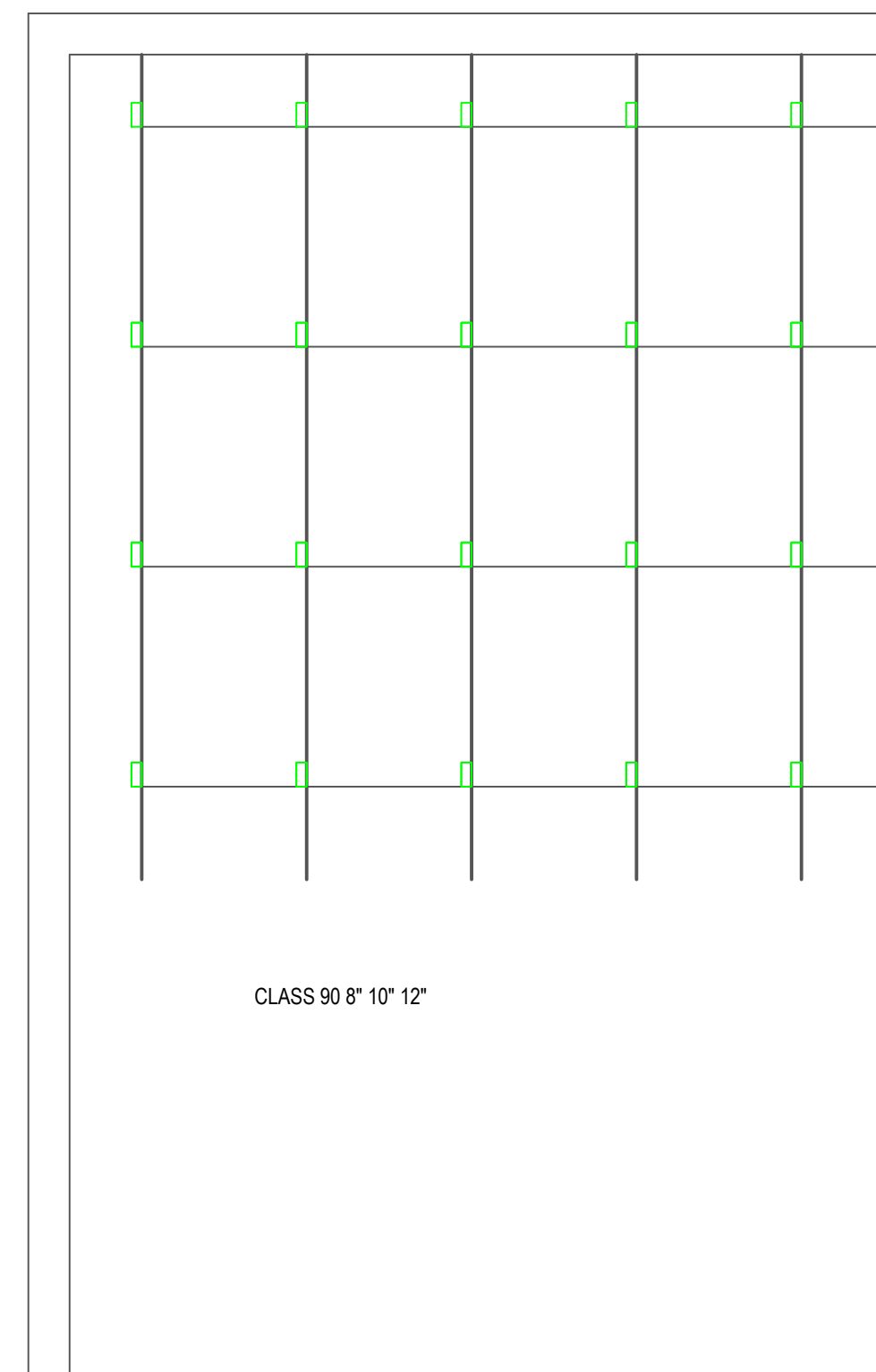
SEISMIC BORDERS



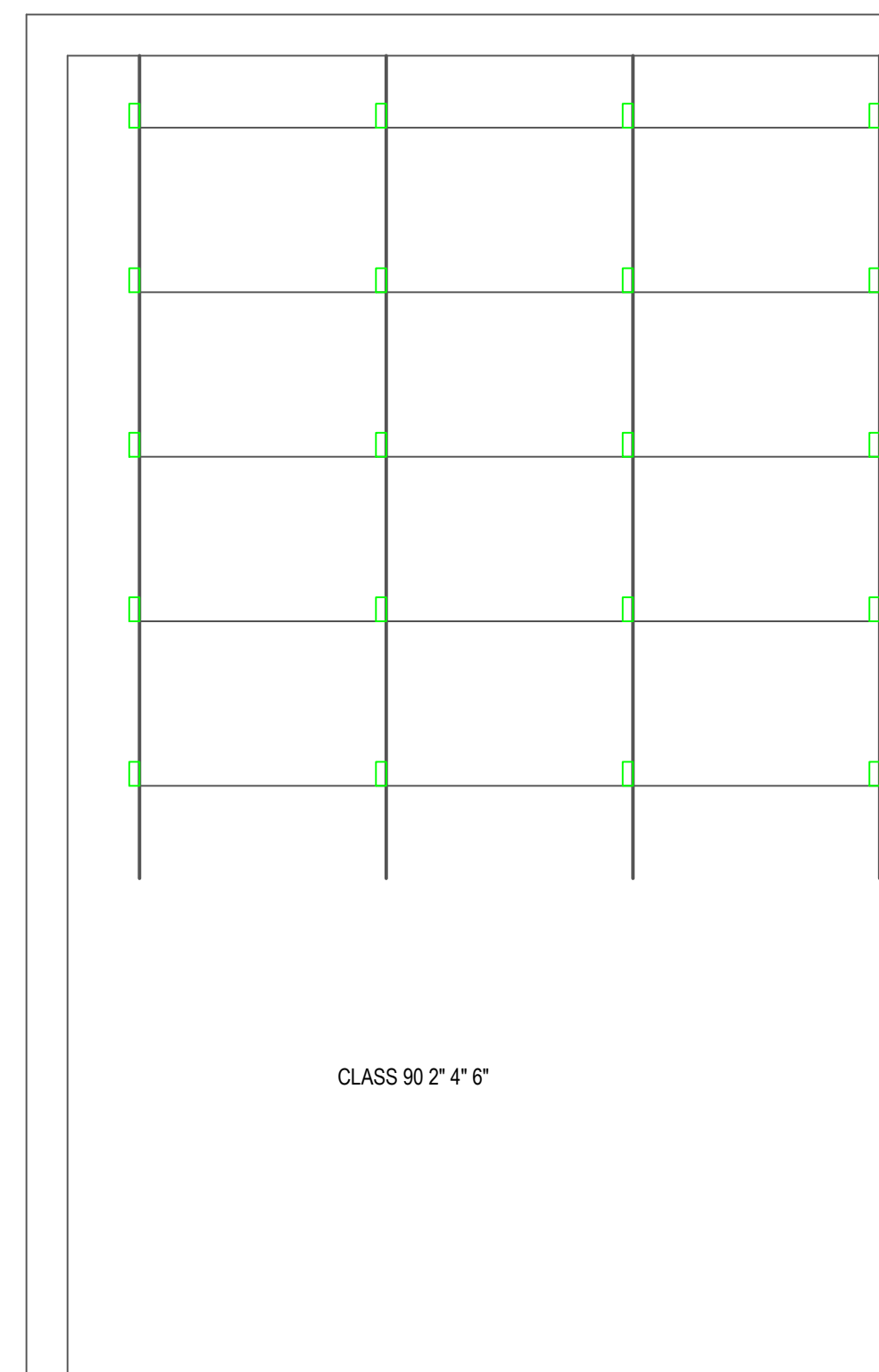
LIGHTING INTEGRATION



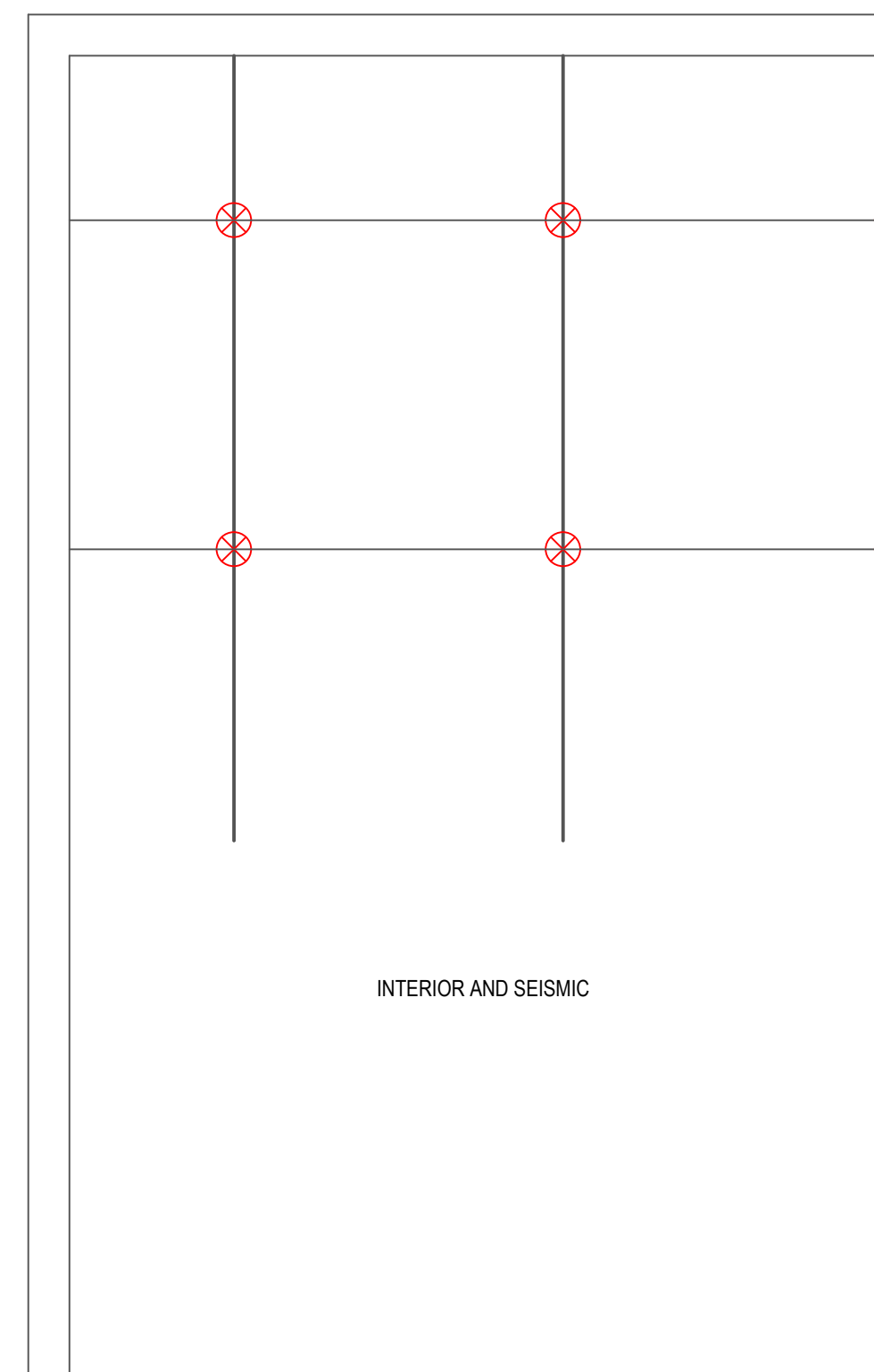
CLASS 30 2' x 4' x 8'



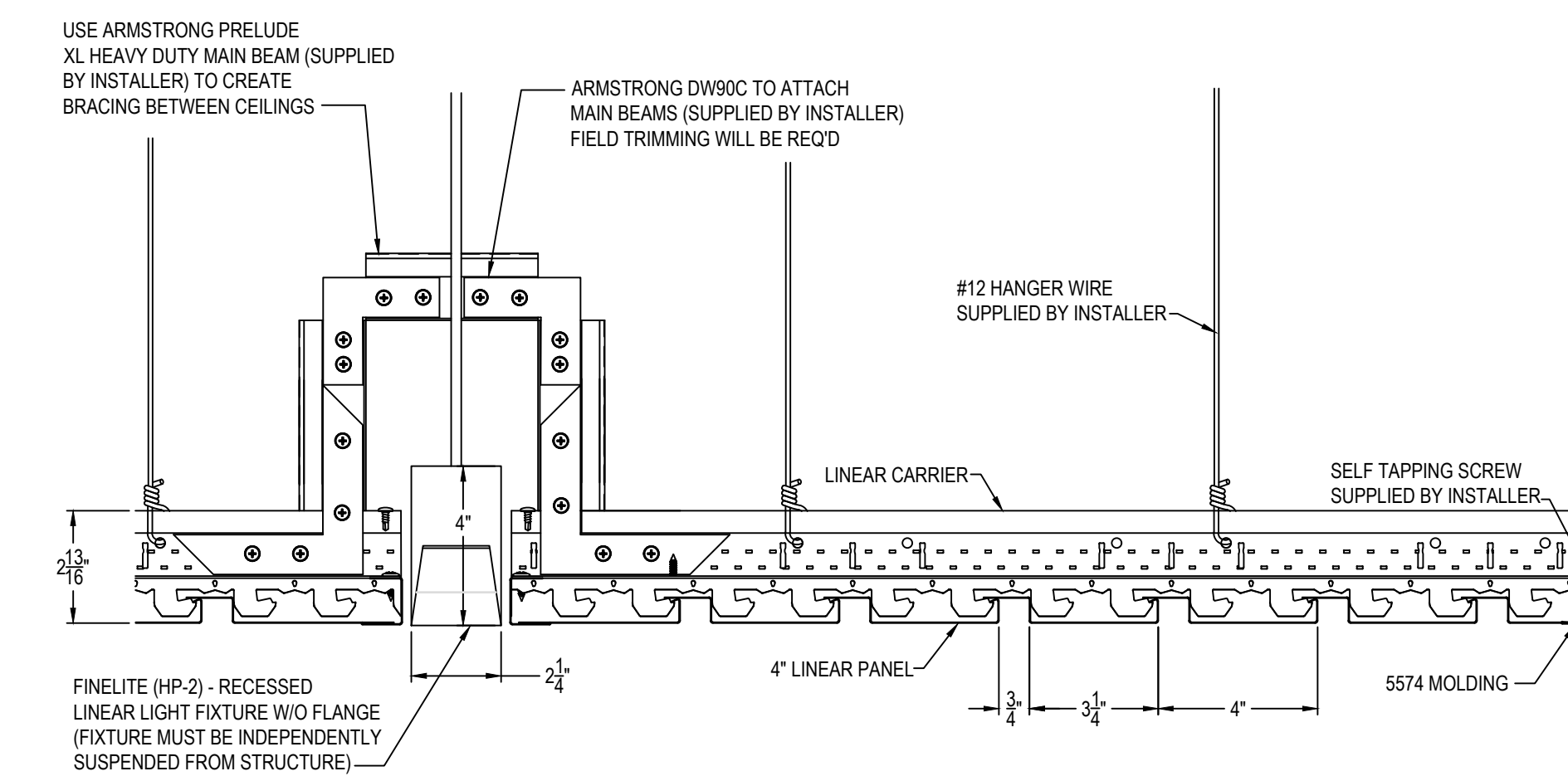
CLASS 90 8' x 10' x 12'



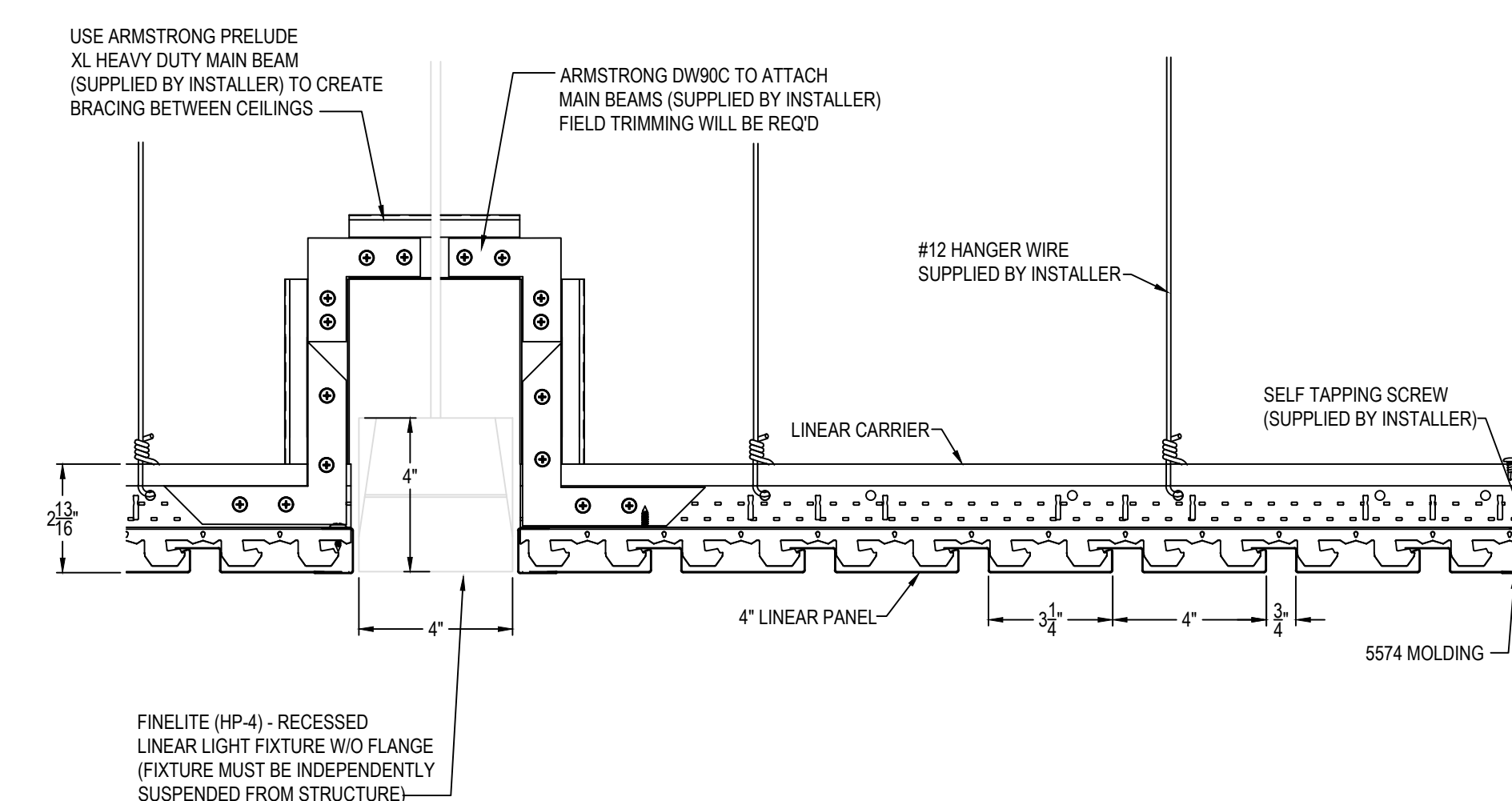
CLASS 90 2' x 4' x 6'



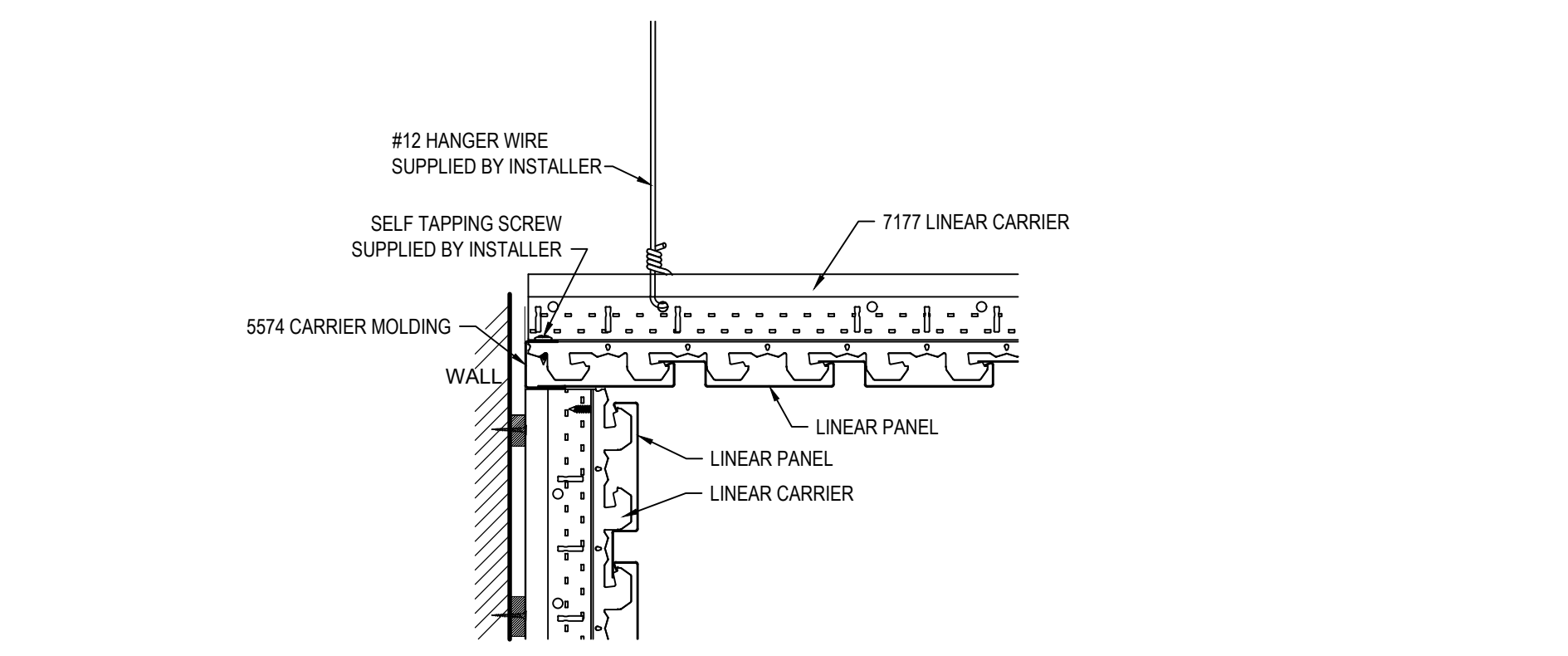
INTERIOR AND SEISMIC



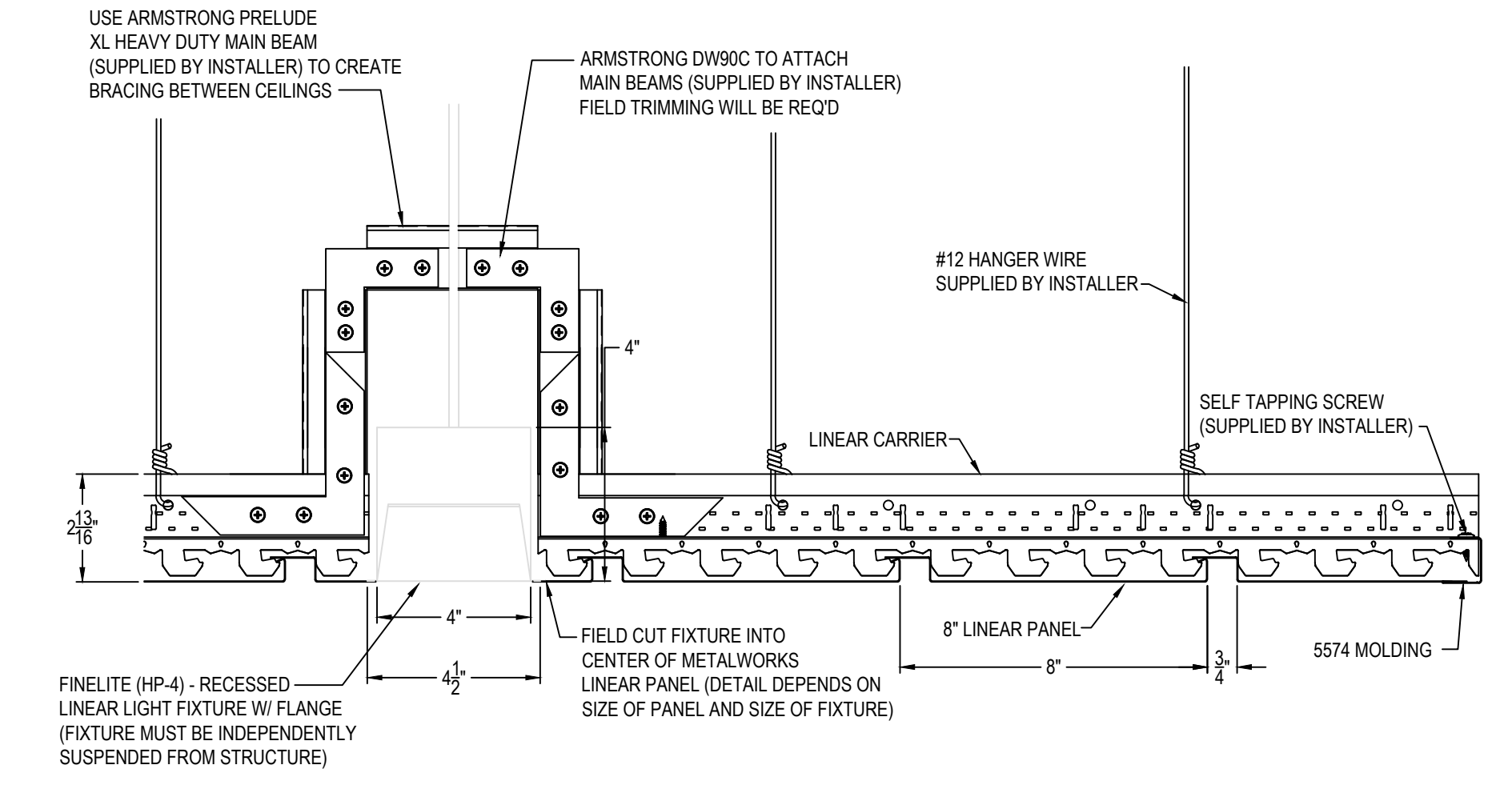
LIGHTING INTERGRATION FINELITE HP-2 RECESSED



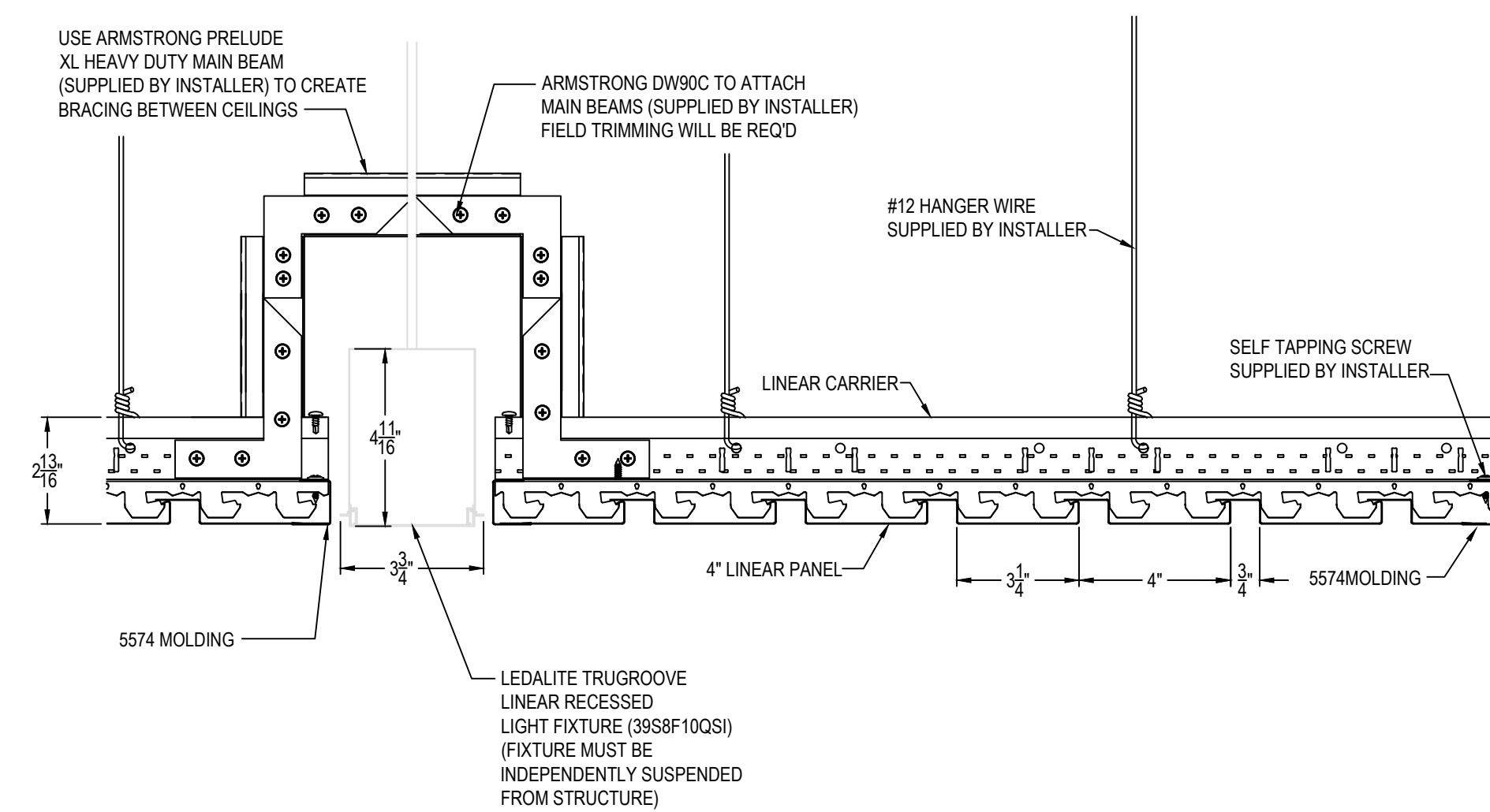
LIGHTING INTERGRATION FINELITE HP-4 RECESSED SK3A



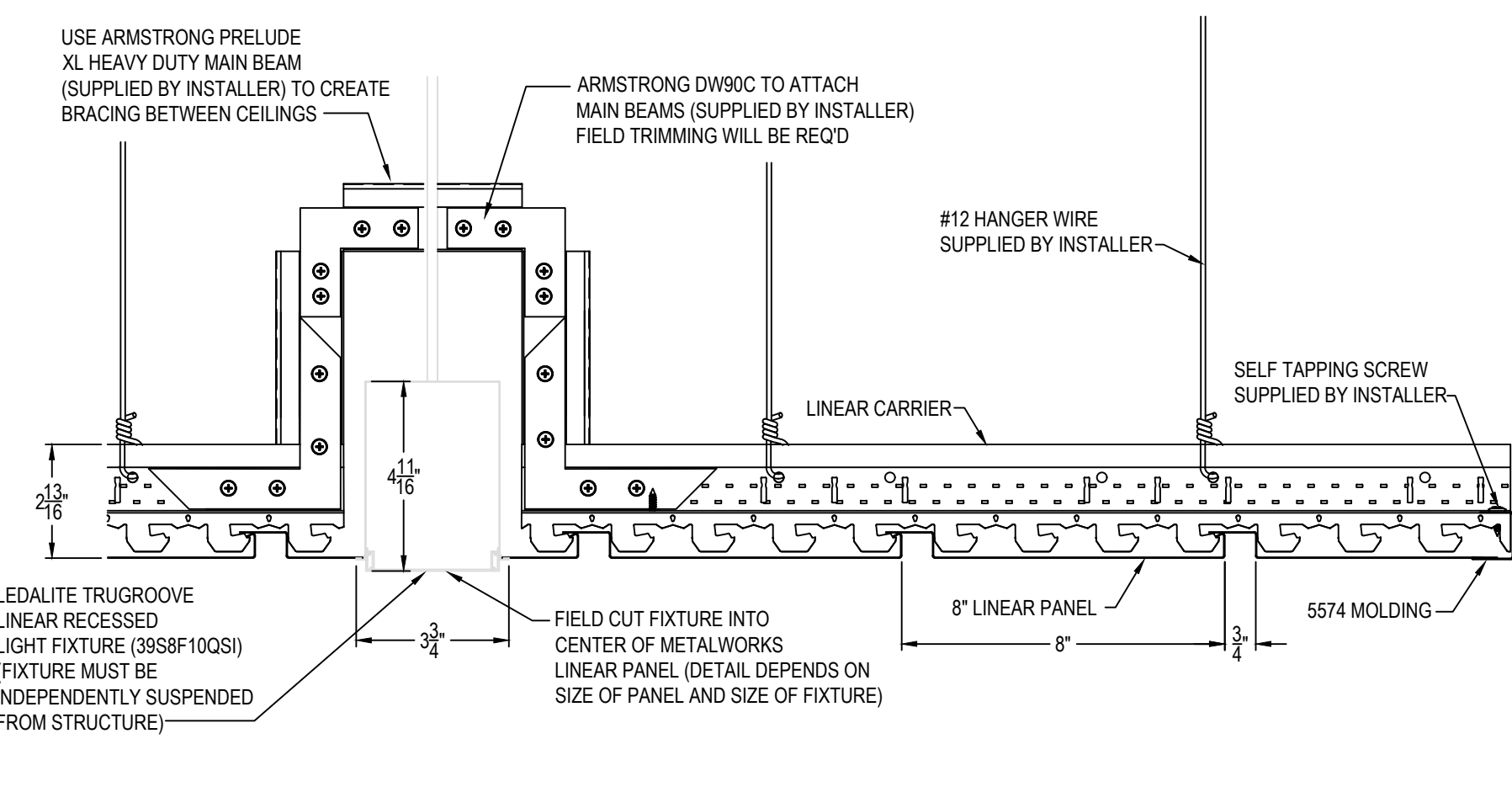
METALWORKS LINEAR TRANSITIONING TO WALL



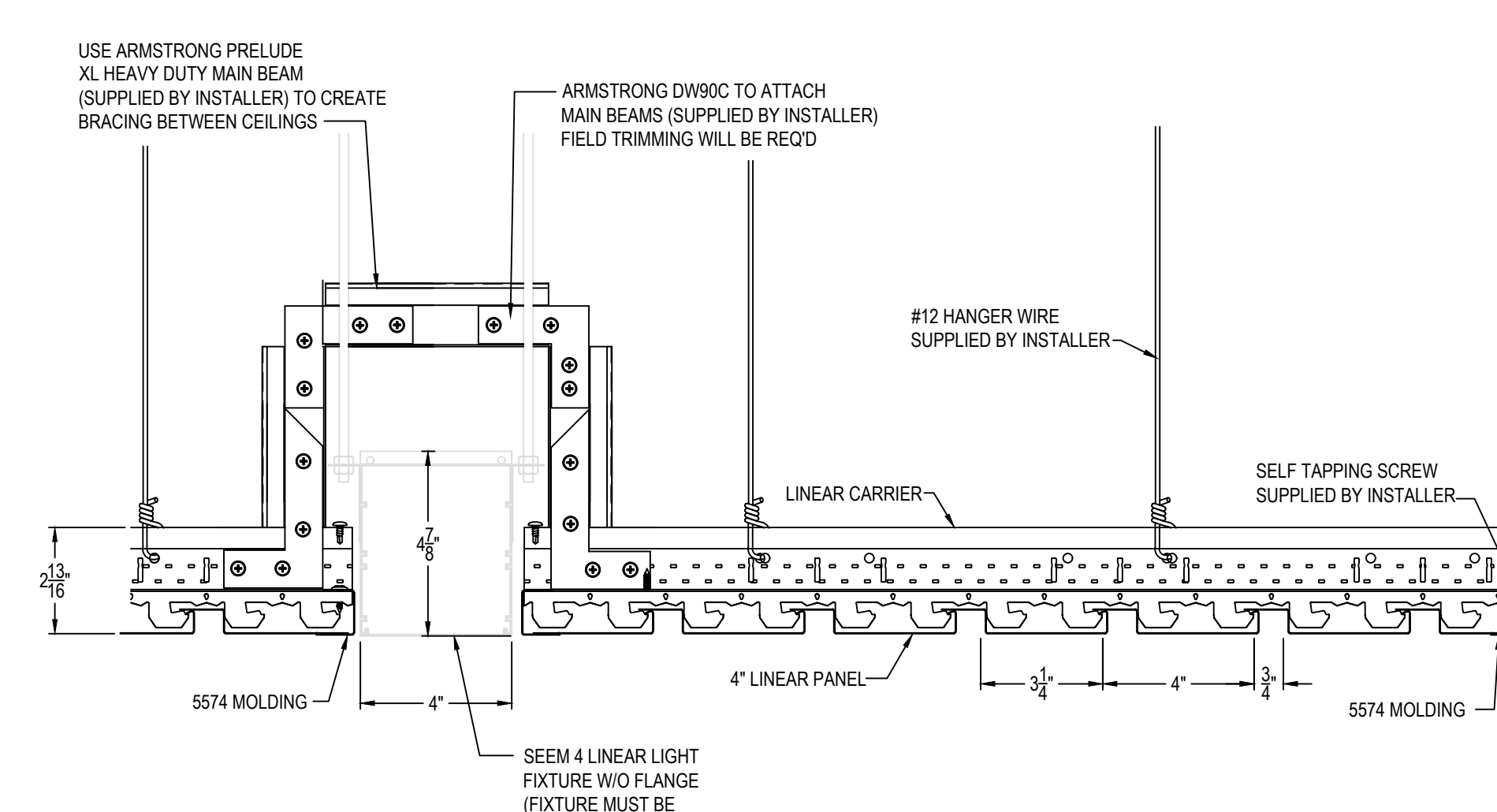
LIGHTING INTERGRATION FINELITE HP-4 RECESSED SK3B



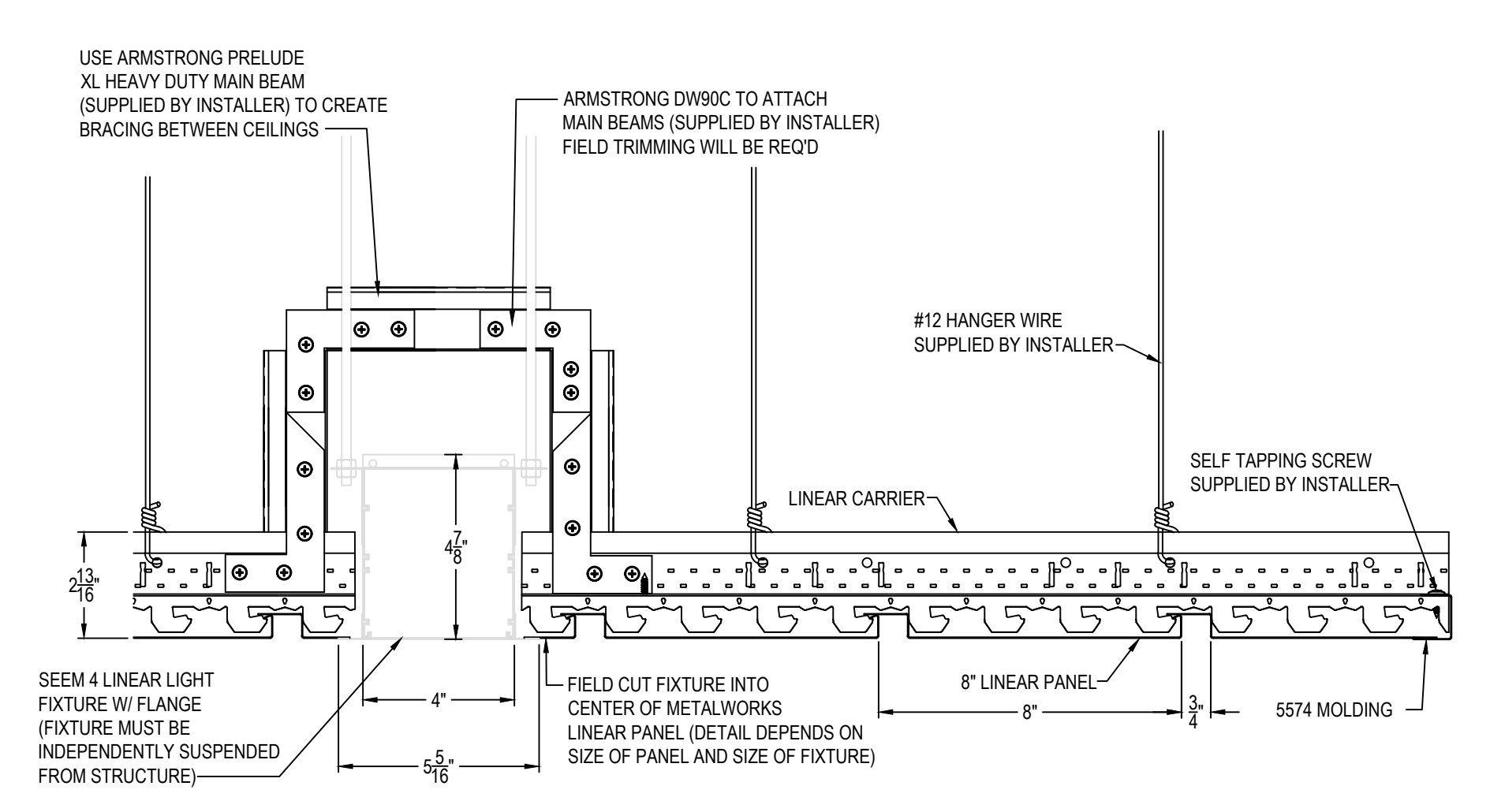
LIGHTING INTERGRATION LEDALITE TRUGROOVE LINEAR RECESSED DIRECT ASYMMETRIC SK3A



LIGHTING INTERGRATION LEDALITE TRUGROOVE LINEAR RECESSED DIRECT ASYMMETRIC SK3B



LIGHTING INTERGRATION SEEM 4 SK3A



LIGHTING INTERGRATION SEEM 4 SK3B

These drawings show typical conditions in which the Armstrong product depicted is installed. They are not intended to be an endorsement or approval of any and do not reflect the unique requirements of local building codes laws, ordinances, codes and regulations (Local Requirements) that may be applicable to a particular installation.		PROJECT NAME:	METALWORKS LINEAR MASTER SHEET
Armstrong Ceiling Solutions does not warrant, and assumes no liability for the accuracy or completeness of the drawings for a particular installation or their fitness for a particular purpose.	The user is advised to consult with a duly licensed architect or engineer in the particular locale of the installation to ensure compliance with all applicable requirements.	DWG. NO:	SHEET 3 - INSTALLATION
Armstrong is not licensed to provide professional architecture or engineering design services.		DATE:	5/2/17
		SCALE:	1" 0" = 1' 0"
		DRAWN BY:	MAP
		CHK BY:	
		REV:	
		DATE:	
Techn	ARMSTRONG CEILING SOLUTIONS • Lancaster, PA • Phone: 877-ARMSTRONG	Armstrong CEILING SOLUTIONS	