

NOTES:  
 THE EXAMPLE LAYOUT AND CORRESPONDING BOM SHOWN ARE MEANT TO BE USED AS REFERENCE POINTS WHEN SPECIFYING A DESIGNFLEX SYSTEM.  
 IF YOU PLAN TO USE THE EXACT LAYOUT SHOWN, OR ANY VARIATION THEREOF, CONSIDER THE FOLLOWING NOTES:

- 1) DRAWING DETAILS SHOW A CEILING PLAN VIEW WHICH IS FROM A PLENUM POSITION LOOKING DOWN ONTO THE BACKSIDE OF THE CEILING SYSTEM. BOM LISTS DESCRIPTIONS THAT COORDINATE WITH THE DATA PAGES, AND THESE ITEM DESCRIPTIONS ARE BASED ON VIEWING THE FACE OF THE PRODUCTS.
- 2) ANGLE BRACKETS AND CORNER BRACKETS ARE INSTALLED AT STANDARD 6" OC ROUTE HOLE INCREMENTS ALONG THE MAIN BEAMS - ALL MAIN BEAMS ARE INSTALLED WITH ALIGNED ROUTE HOLES.
- 3) ANGLE BRACKETS USED WITHIN LAYOUTS HAVE SCREWS, WASHERS, AND NUTS INCLUDED WITH THEM FOR FASTENING TO MAIN BEAMS. IF CORNER BRACKETS ARE USED IN THE SYSTEM THEY WILL REQUIRE SCREWS THAT ARE NOT INCLUDED AND NEED TO BE SUPPLIED BY OTHERS.
- 4) SCREWS, RIVETS, AND OTHER GENERAL FASTENERS THAT ARE NOT INCLUDED IN BOM OR IN DETAILS BELOW, NEED TO BE SUPPLIED BY OTHERS. REFER TO INSTALLATION INSTRUCTIONS FOR DETAILS ON REQUIRED FASTENERS.
- 5) HANGER WIRE LOCATIONS SHOWN BELOW ARE ONLY SUGGESTIONS BASED ON EXAMPLE LAYOUT AND CAN BE MOVED IN ACCORDANCE WITH FOLLOWING REQUIREMENT - HANGER WIRES ARE REQUIRED ALONG MAINS WITHIN 24" OF THE WALL AND NO MORE THAN 48" O.C THEREAFTER.
- 6) CONDITIONS SHOWN ARE FOR NON-SEISMIC INSTALLATIONS (SEISMIC DESIGN CATEGORY A,B) - REFERENCE INSTALLATION INSTRUCTIONS FOR CONSIDERATIONS AND REQUIREMENTS FOR SEISMIC INSTALLATIONS.
- 7) DETAILS BELOW AND BOM ARE SUBJECT TO CHANGES AT THE PERIMETER BASED ON THE LAYOUT (LINEAR FEET OF PERIMETER, FULL SIZE VS. CUT PANELS, BORDER PANEL INSTALLATION METHOD).
- 8) 7800 WALL ANGLE PERIMETER SHOWN BELOW. REFERENCE INSTALLATION INSTRUCTIONS FOR DETAILS ON ALTERNATIVE PERIMETER SOLUTIONS.
- 9) BOM DOES NOT ACCOUNT FOR THE USE OF SCRAP OR EXCESS MATERIAL CUT FROM OTHER ITEMS.
- 10) REFER TO MASTER PARTS SHEET, PANEL SHEET, AND INSTALLATION INSTRUCTIONS ILLUSTRATIONS SHEET FOR SPECIFIC DETAIL VIEWS AND DIAGRAMS OF ALL PARTS AND PIECES LISTED IN BOM.

SH-0014-2 BILL OF MATERIALS				
ITEM	QTY	STOCK NUMBER	DESCRIPTION	
1	16	7800	Angle Molding	
2	76	7500/7501	12" ID/HD Suprafine Main Beam	
3	181	75AB45D	Suprafine 45 Deg. Double Angle Bracket	
4	57	75AB45L	Suprafine 45 Deg. Left Angle Bracket	
5	57	75AB45R	Suprafine 45 Deg. Right Angle Bracket	
6	240	XM754524	Suprafine 45 Deg. Cross Tee - 24in MBS	
7	20	XM7524	Suprafine Perimeter Cross Tee - 24in MBS	
8	46	BERC2	2" Beam End Retaining Clip	
9	18	XTAC	Cross Tee Adapter Clip	
10	36	PAC	Perimeter Angle Clip	
11	70	100010	Lyra 9/16" Square Tegular - 45 Deg. 96 in Base Trapezoid	
12	210	100001	Lyra 9/16" Square Tegular - 45 Deg. 48 in Base Triangle	
13	209	7891	12 Gauge Hanger Wire (Qty. = number of min. hanging point locations)	

EXAMPLE LAYOUT AND BOM SHOWN WITH LYRA PANELS AND SUPRAFINE SUSPENSION SYSTEM

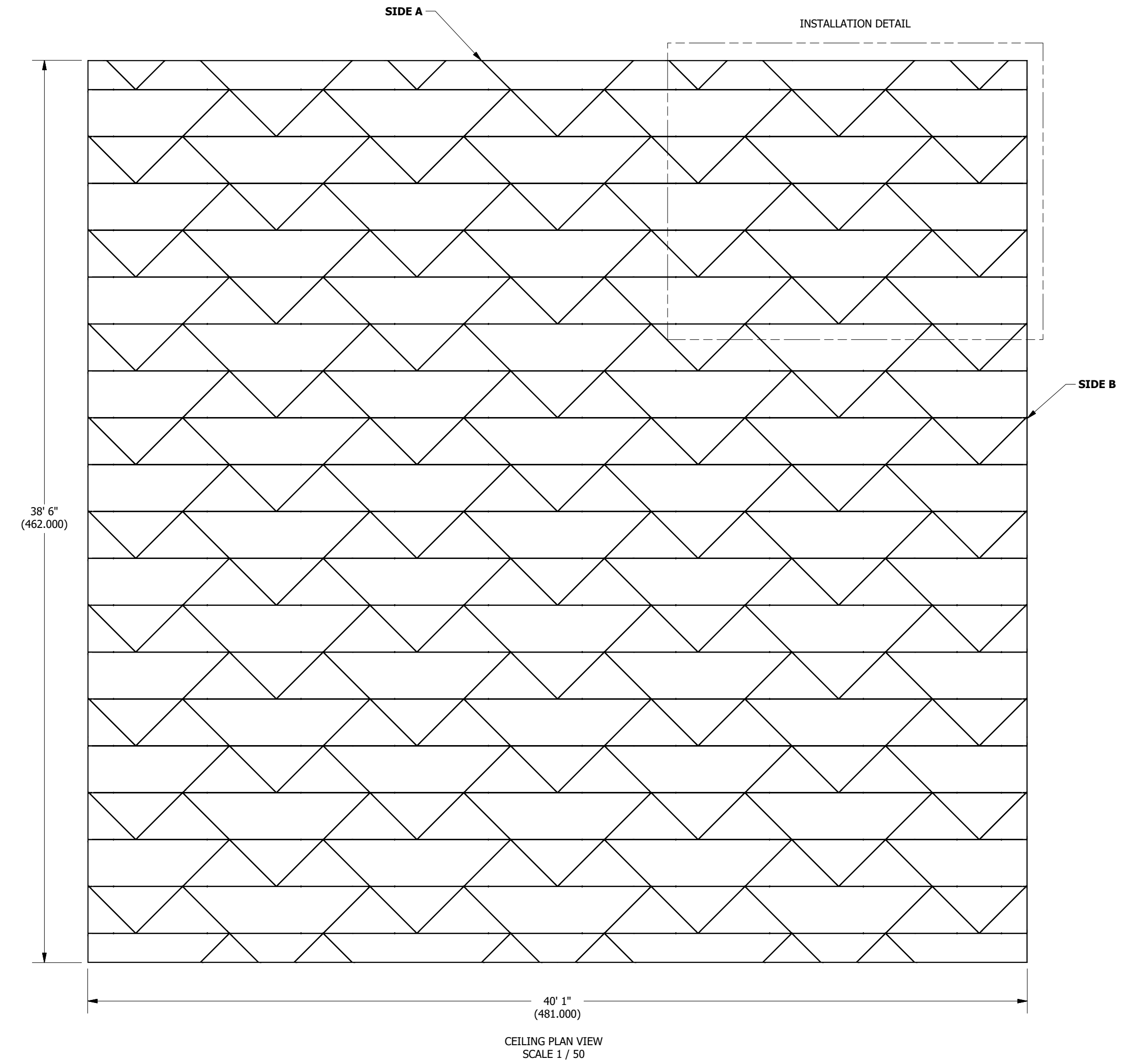
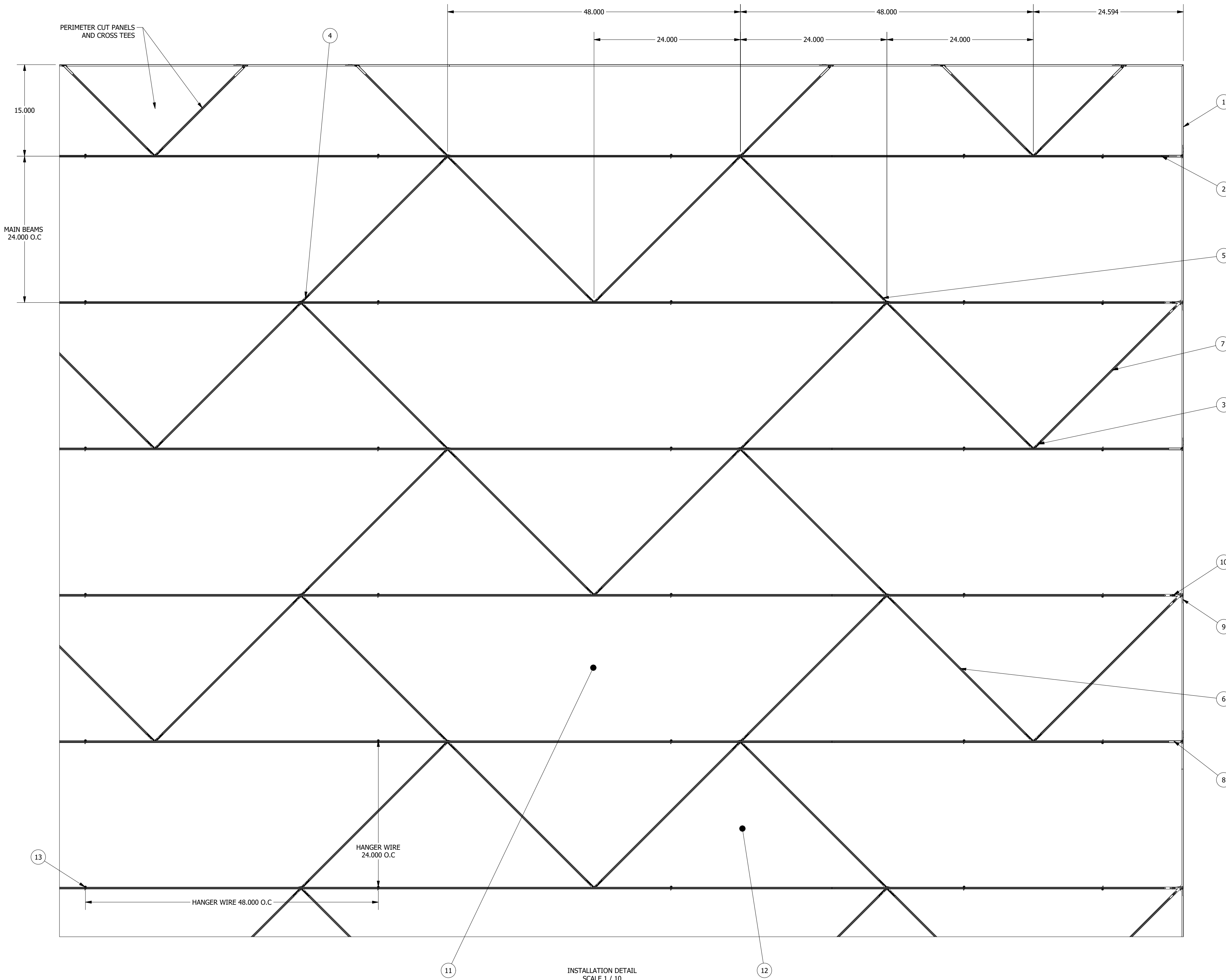
PANEL PRODUCT FAMILIES COMPATIBLE WITH THIS LAYOUT:  
 LYRA AND OPTIMA

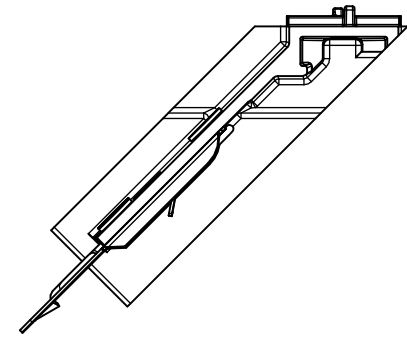
SUSPENSION SYSTEMS COMPATABLE WITH THIS LAYOUT:  
 SUPRAFINE ID/HD

**SIDE A** - REPRESENTS A BORDER CONDITION UTILIZING A SINGLE GRID MEMBER CONNECTION TO THE PERIMETER

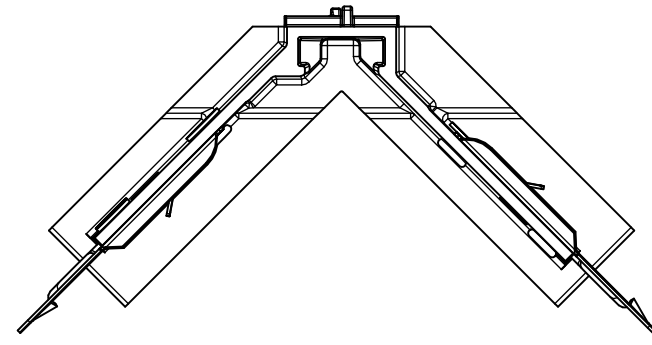
**SIDE B** - REPRESENTS A BORDER CONDITION UTILIZING A SINGLE GRID MEMBER CONNECTION OR MULTIPLE GRID MEMBER CONNECTIONS TO THE PERIMETER

REFERENCE INSTALLATION INSTRUCTIONS FOR FURTHER DETAILS ON HOW THESE BORDER CONDITIONS ARE INSTALLED

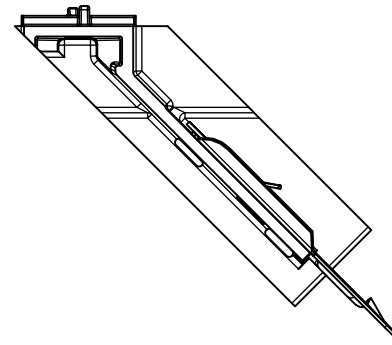




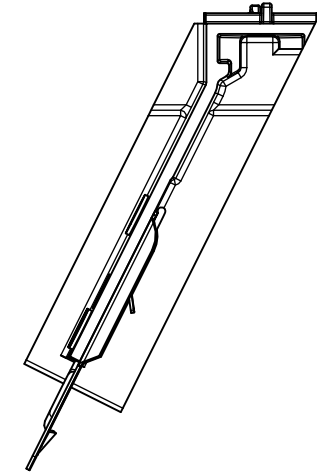
BP75AB45L Suprafine  
45° Left Angle Bracket



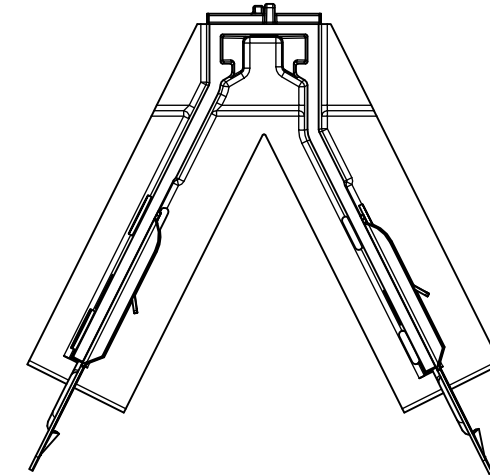
BP75AB45D Suprafine  
45° Double Angle Bracket



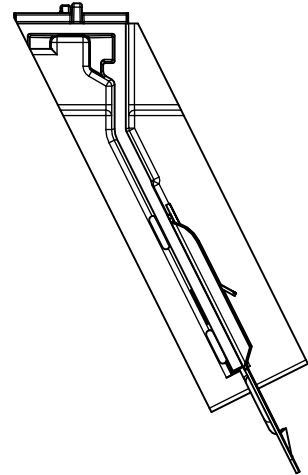
BP75AB45R Suprafine  
45° Right Angle Bracket



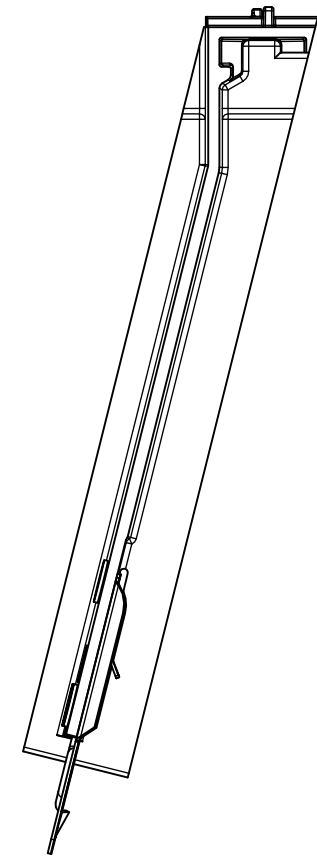
BP75AB60L Suprafine  
60° Left Angle Bracket



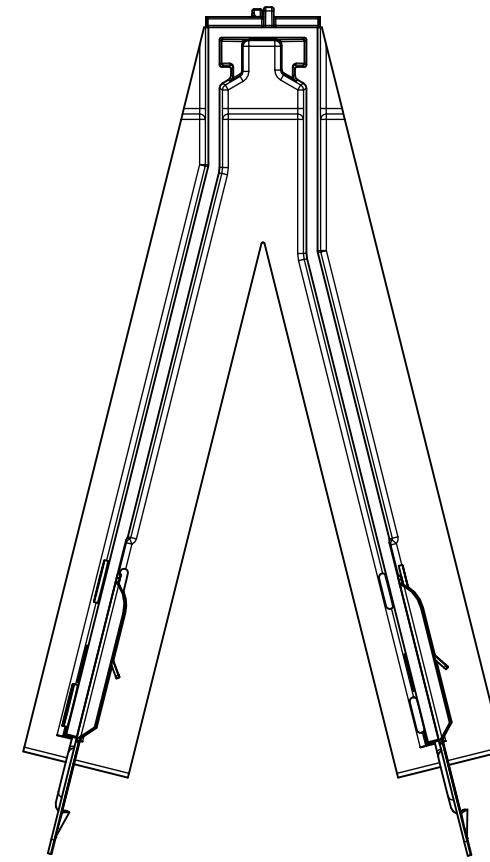
BP75AB60D Suprafine  
60° Double Angle Bracket



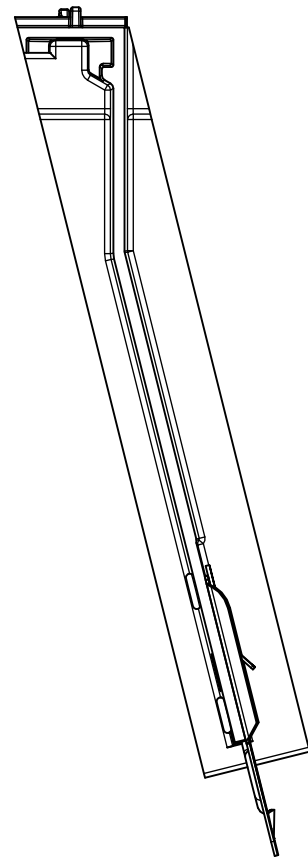
BP75AB60R Suprafine  
60° Right Angle Bracket



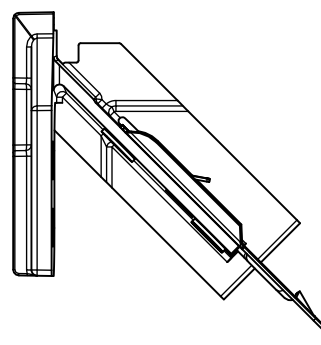
BP75AB75L Suprafine  
75° Left Angle Bracket



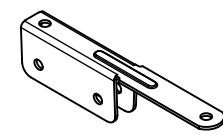
BP75AB75D Suprafine  
75° Double Angle Bracket



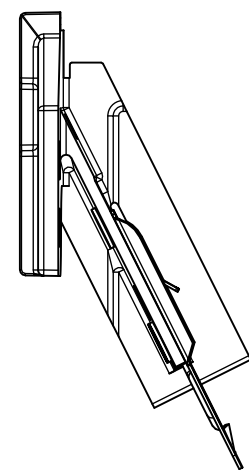
BP75AB75R Suprafine  
75° Right Angle Bracket



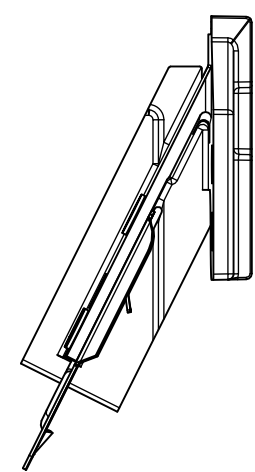
BP75CB45 Suprafine  
45° Corner Bracket



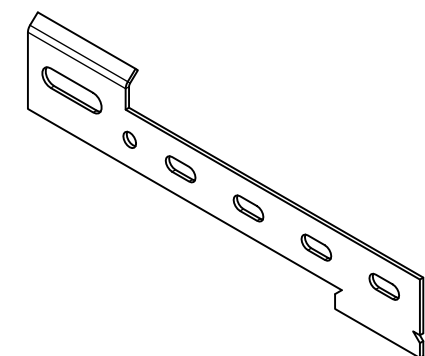
BPPAC  
Perimeter Angle Clip  
SCALE 1 / 2



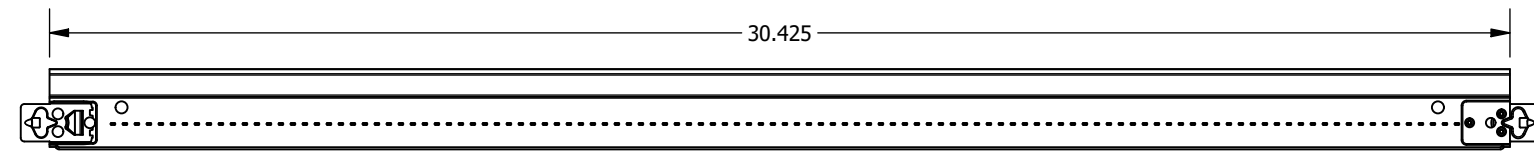
BP75CB60L Suprafine  
60° Left Corner Bracket



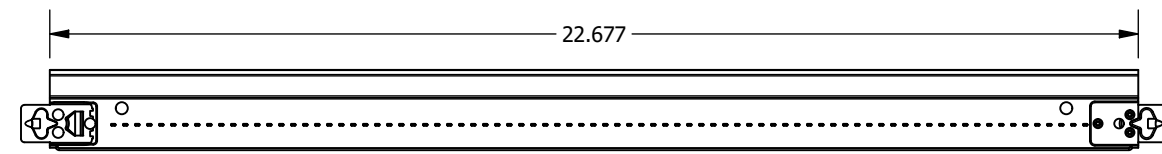
BP75CB60R Suprafine  
60° Right Corner Bracket



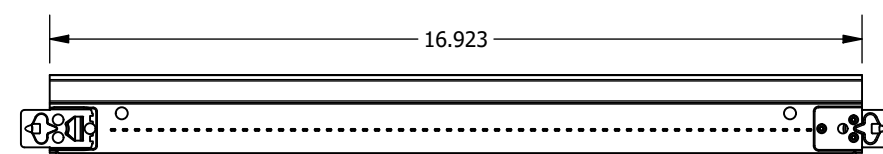
BPPCC  
Axiom Perimeter Corner Clip  
SCALE 1 / 2



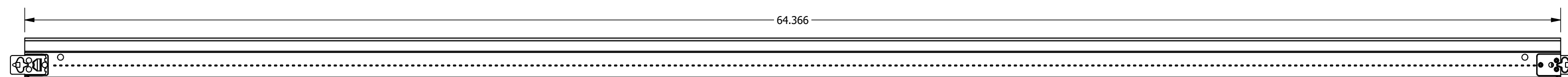
BPXM754524 Suprafine  
45° Cross Tee - 24\"/>



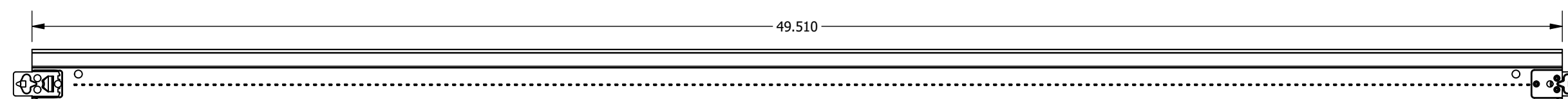
BPXM756024 Suprafine  
60° Cross Tee - 24\"/>



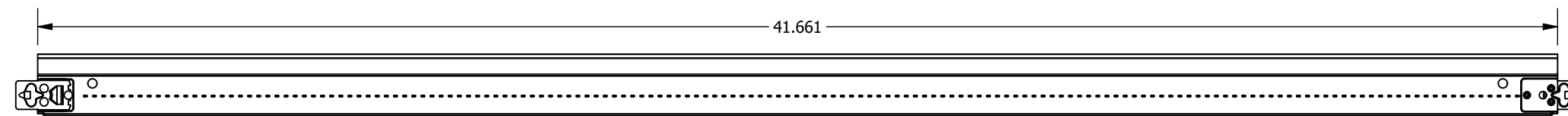
BPXM757524 Suprafine  
75° Cross Tee - 24\"/>



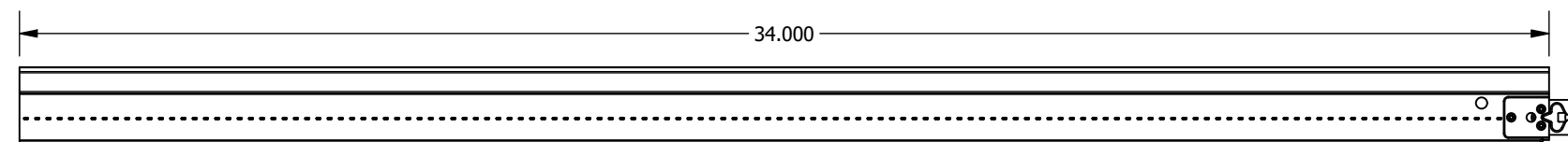
BPXM754548 Suprafine  
45° Cross Tee - 48\"/>



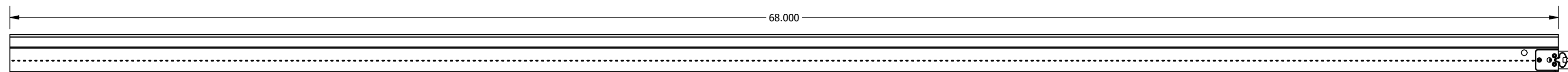
BPXM756048 Suprafine  
60° Cross Tee - 48\"/>



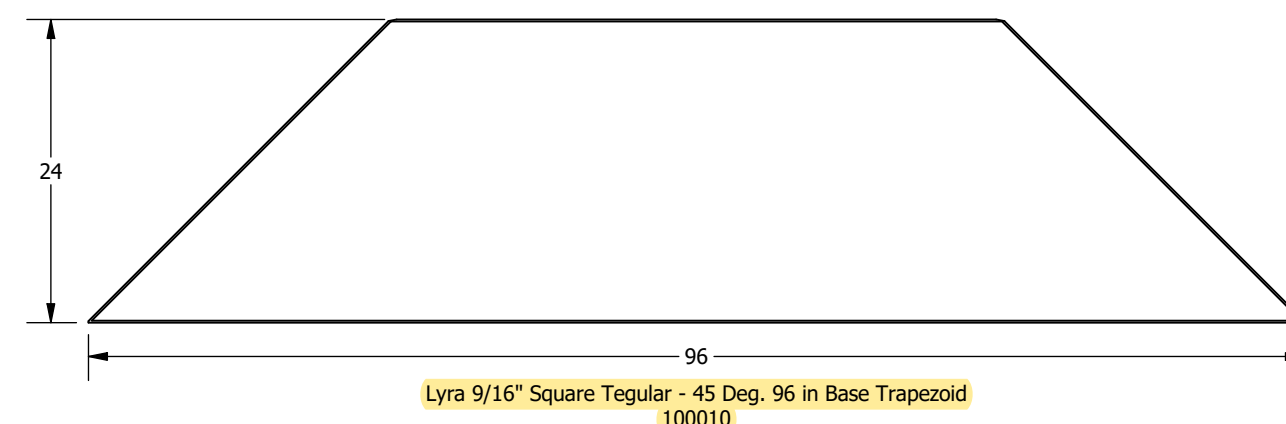
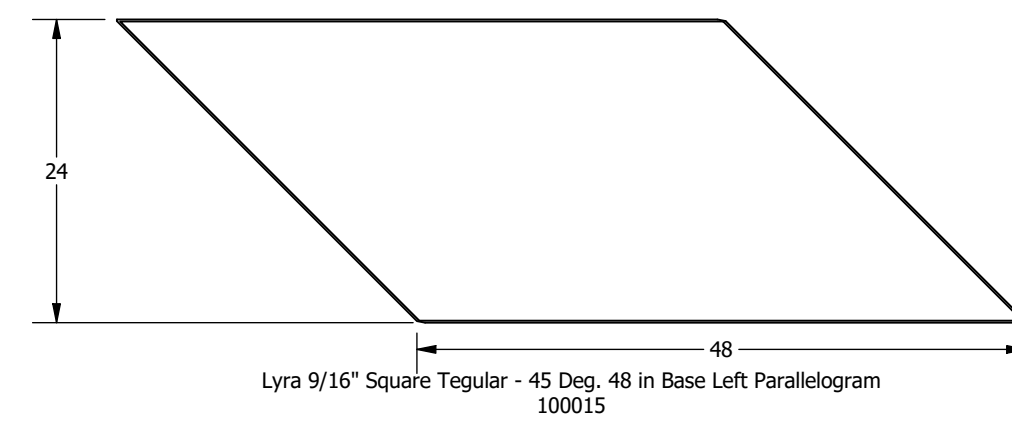
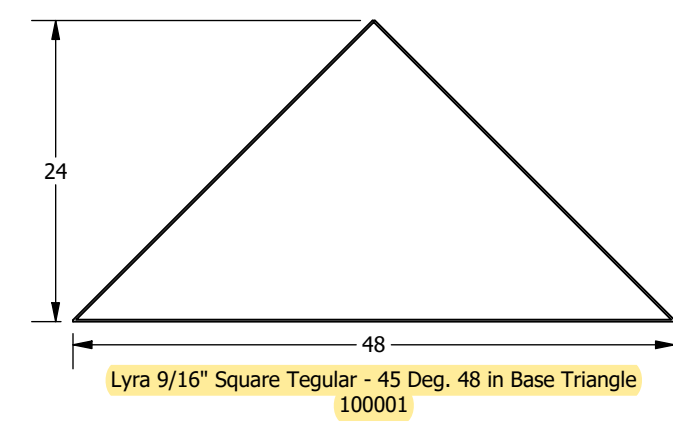
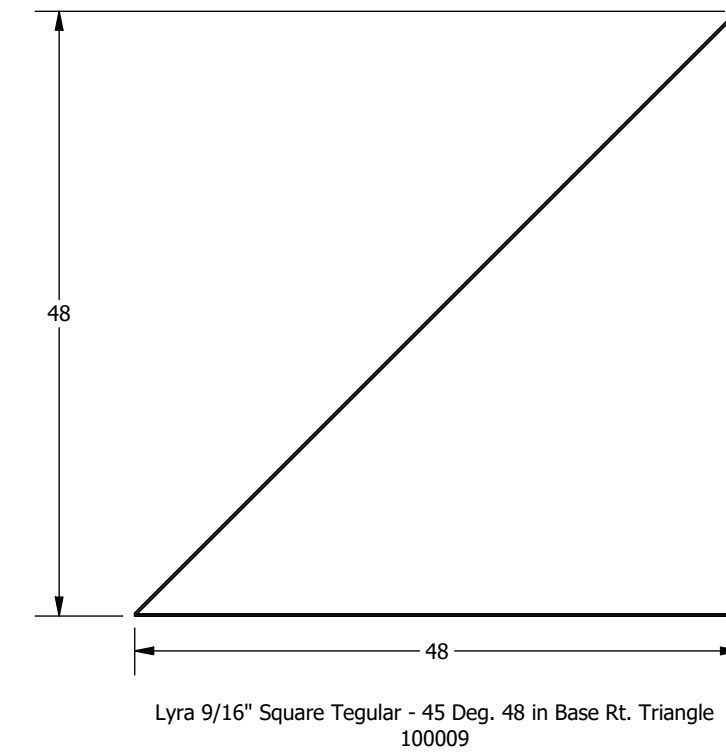
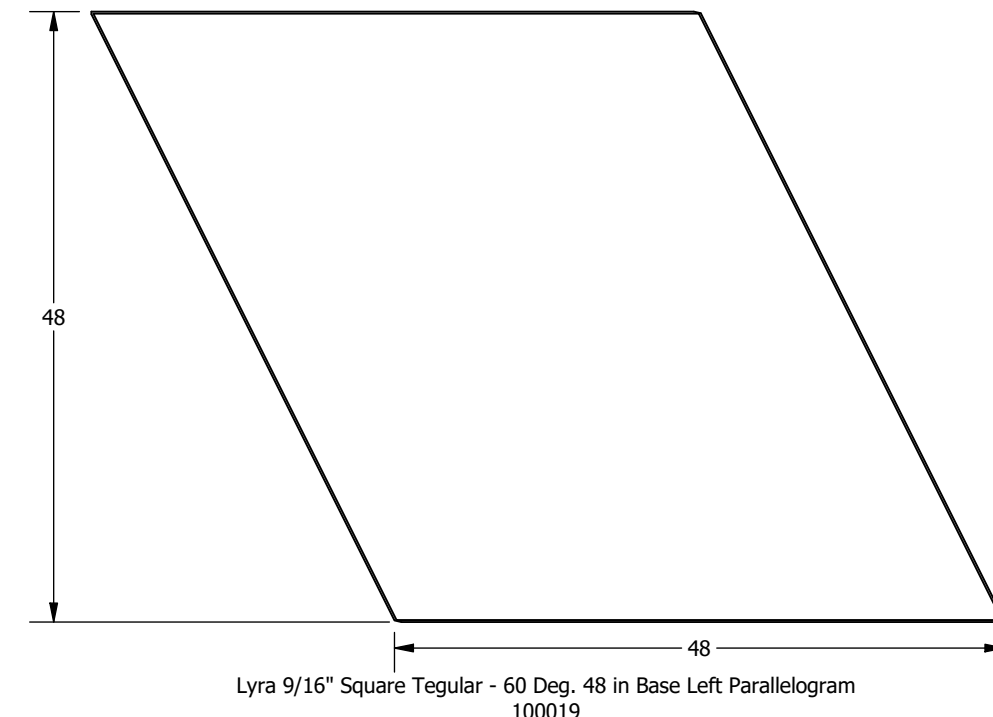
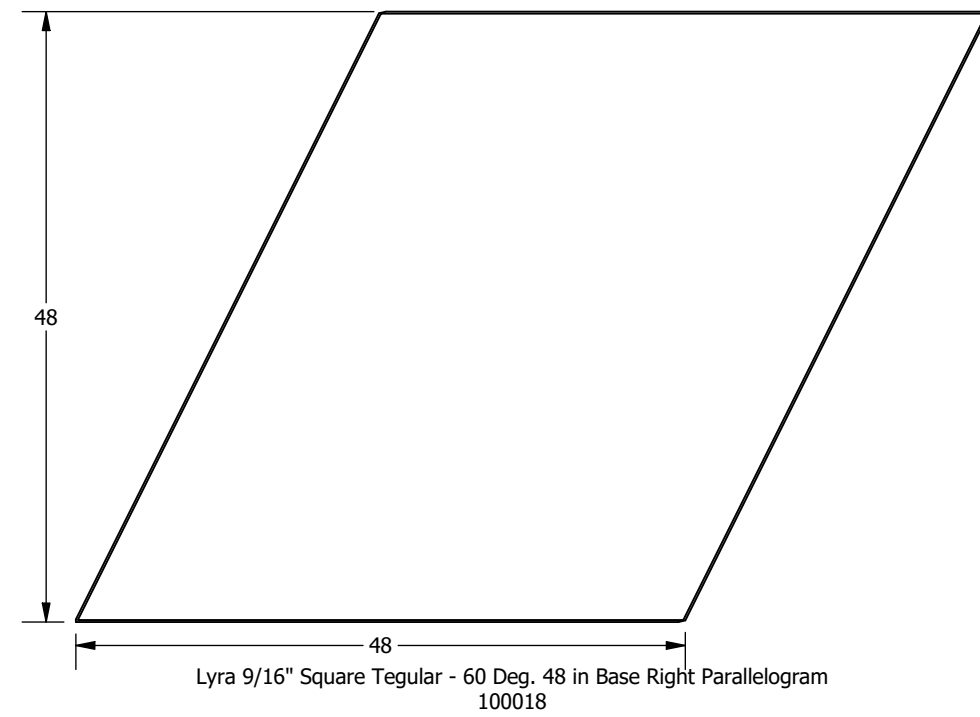
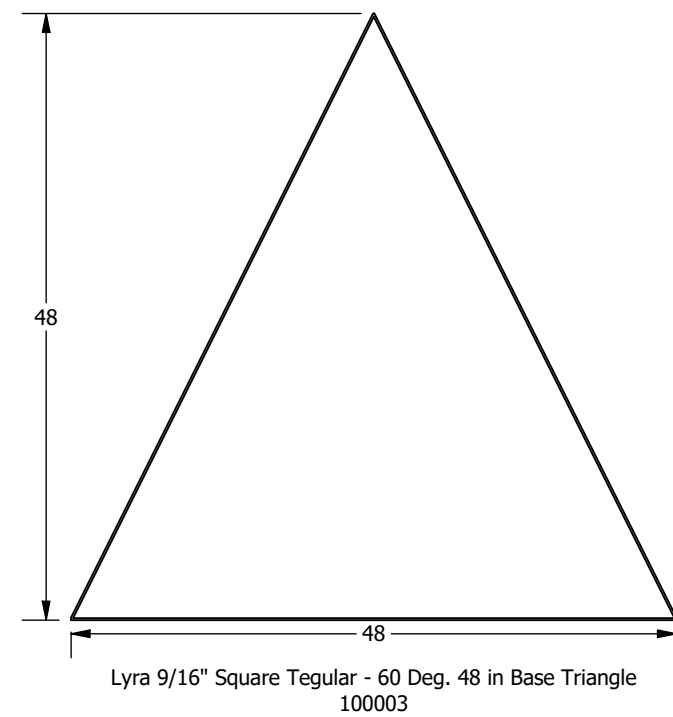
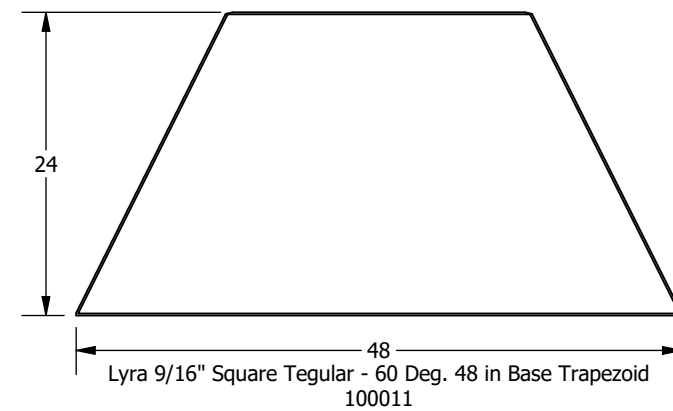
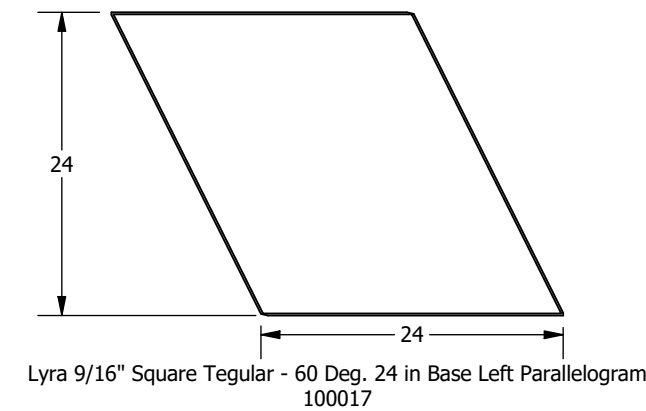
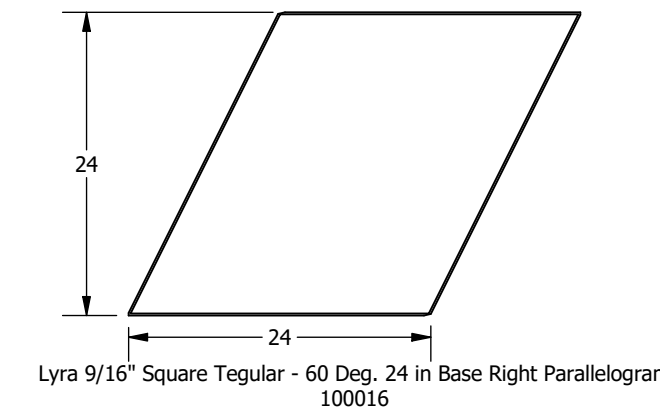
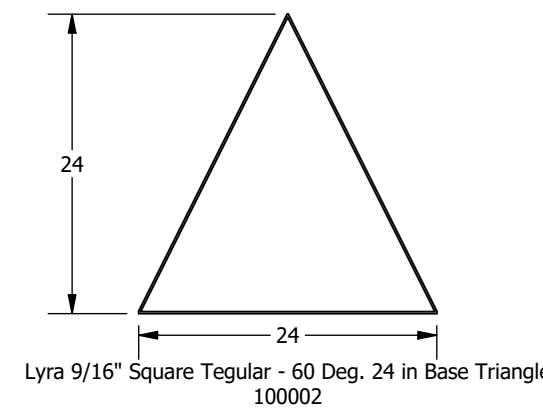
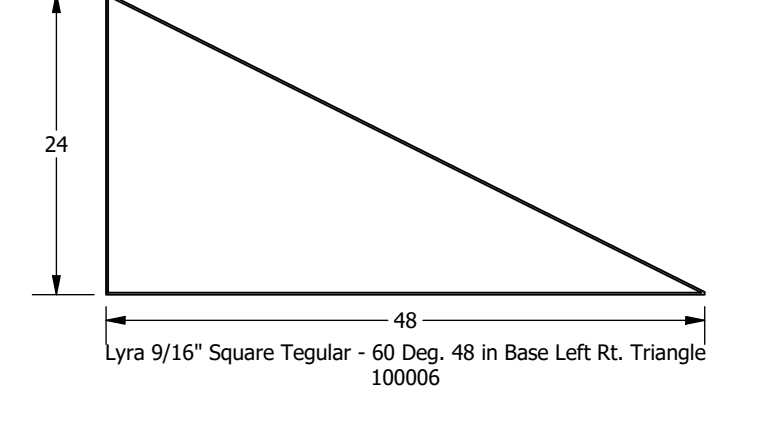
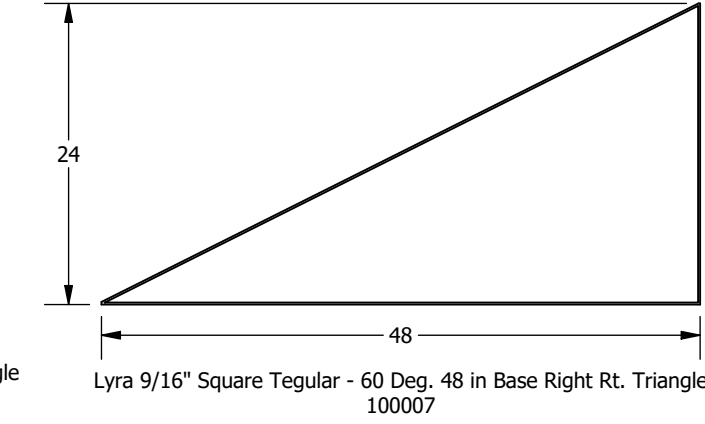
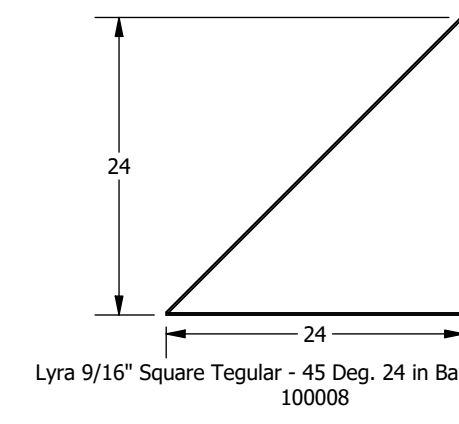
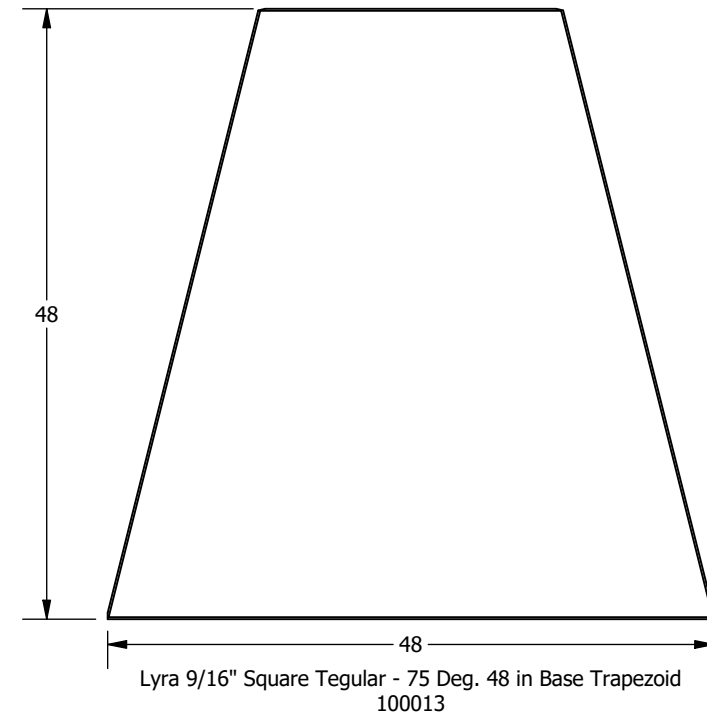
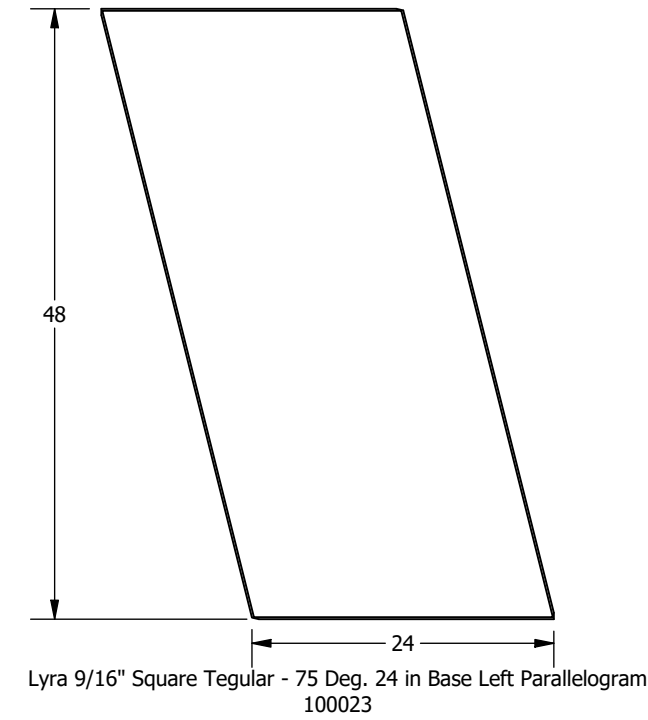
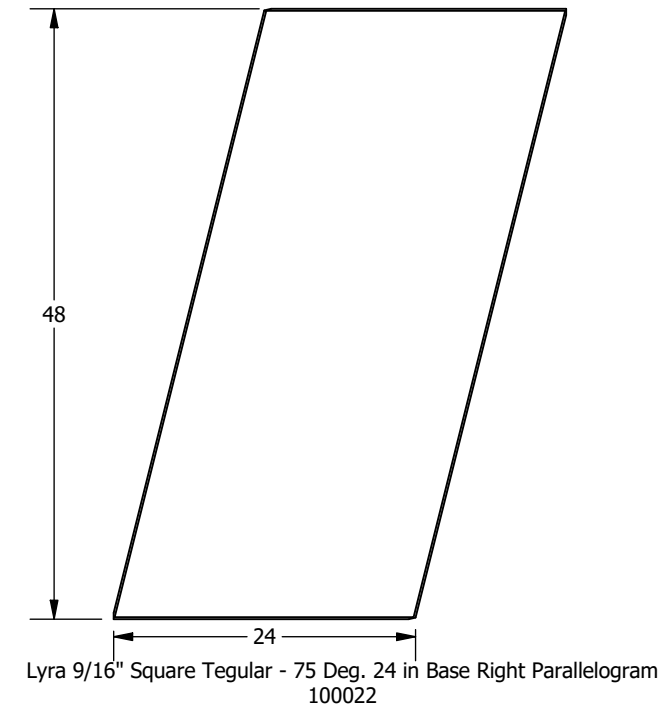
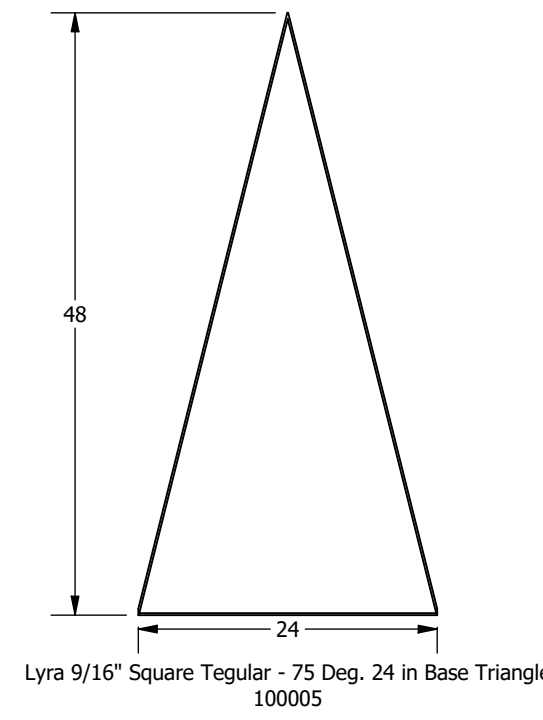
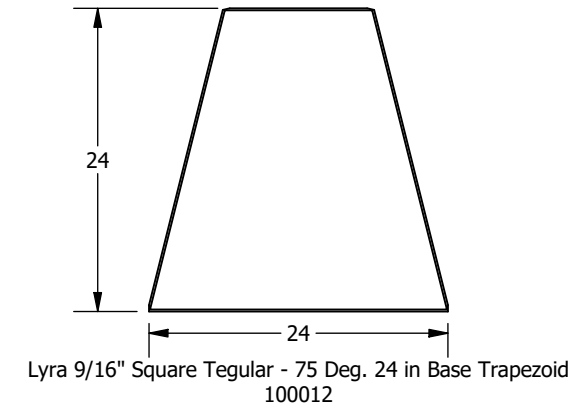
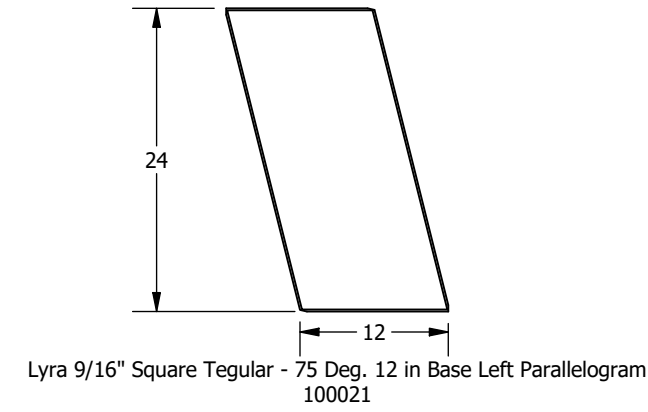
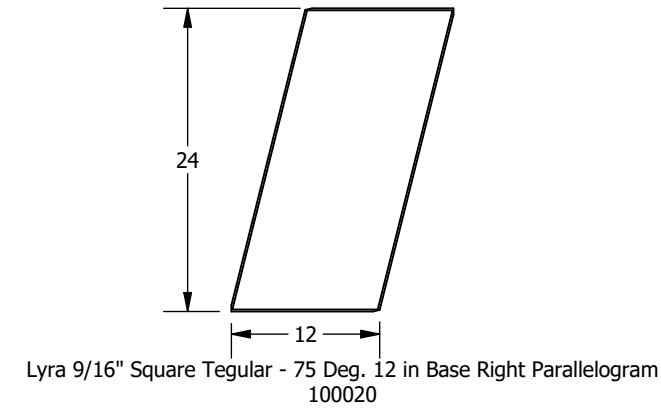
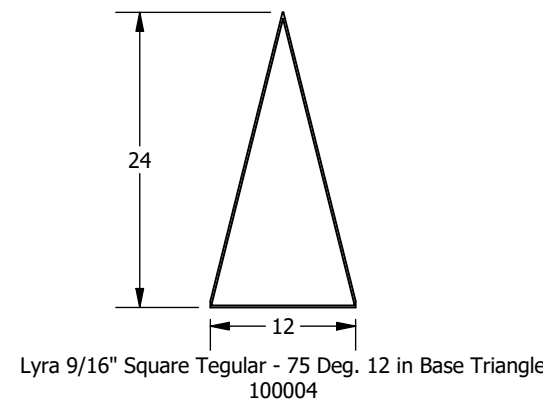
BPXM757548 Suprafine  
75° Cross Tee - 48\"/>



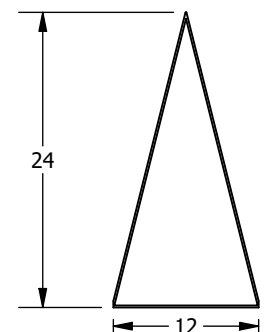
BPXM7524 Suprafine  
Perimeter Cross Tee - 24\"/>



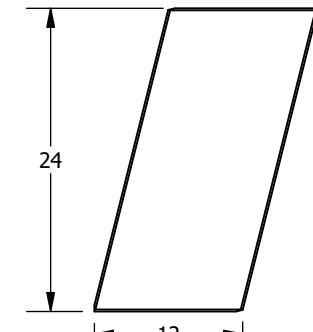
BPXM7548 Suprafine  
Perimeter Cross Tee - 48\"/>



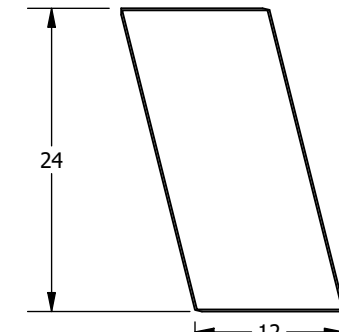
NOTES:  
 1. Views are from the face of the panel, and descriptions are based on these views  
 2. Dimensions are nominal and reflect grid spacings  
 3. Scale 1:15



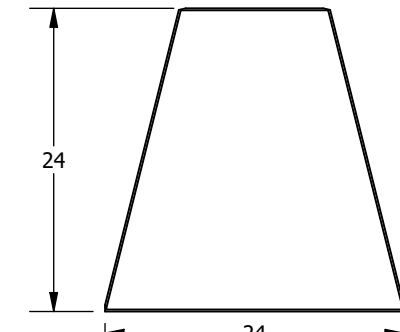
Optima 9/16" Square Tegular - 75 Deg. 12 in Base Triangle  
100203



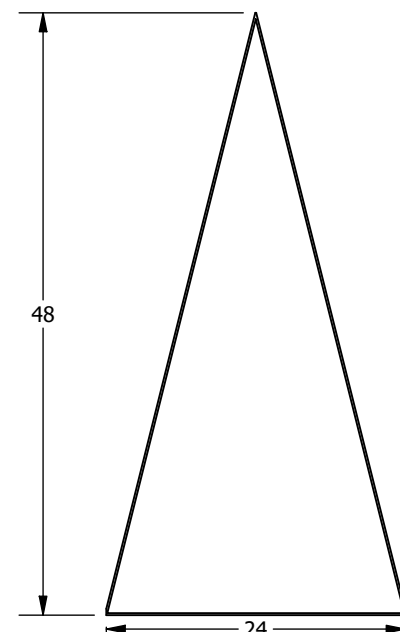
Optima 9/16" Square Tegular - 75 Deg. 12 in Base Right Parallelogram  
100219



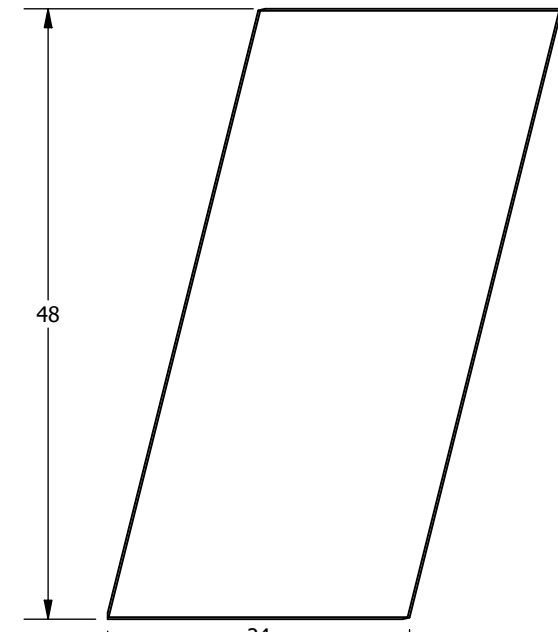
Optima 9/16" Square Tegular - 75 Deg. 12 in Base Left Parallelogram  
100220



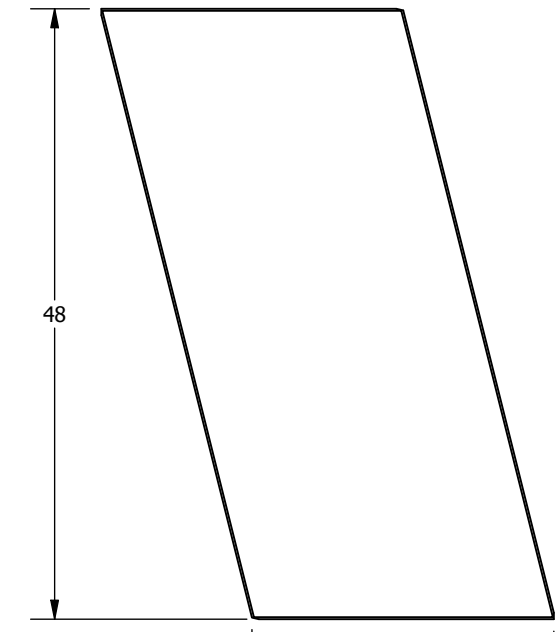
Optima 9/16" Square Tegular - 75 Deg. 24 in Base Trapezoid  
100211



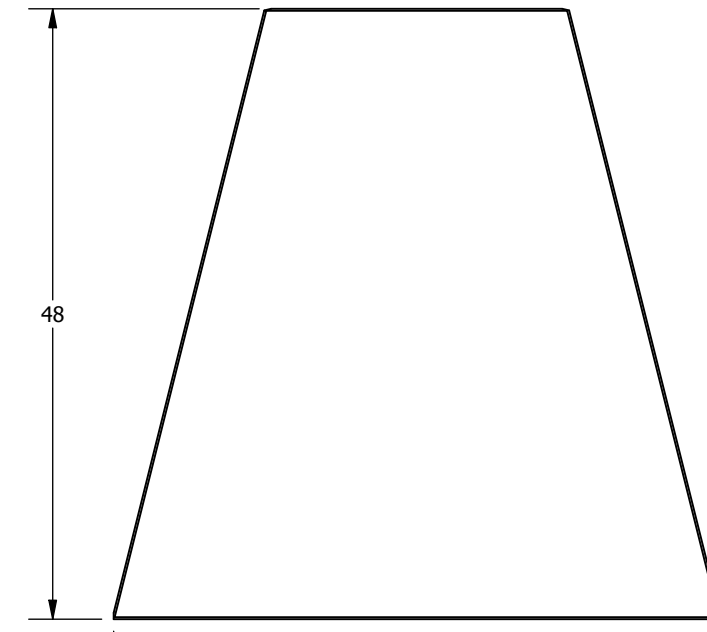
Optima 9/16" Square Tegular - 75 Deg. 24 in Base Triangle  
100204



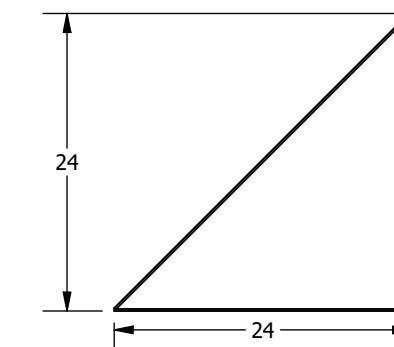
Optima 9/16" Square Tegular - 75 Deg. 24 in Base Right Parallelogram  
100221



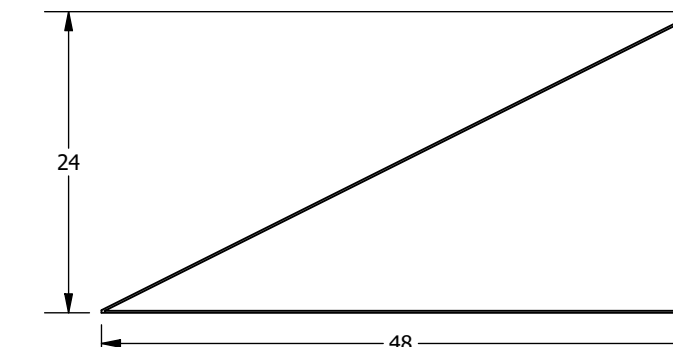
Optima 9/16" Square Tegular - 75 Deg. 24 in Base Left Parallelogram  
100222



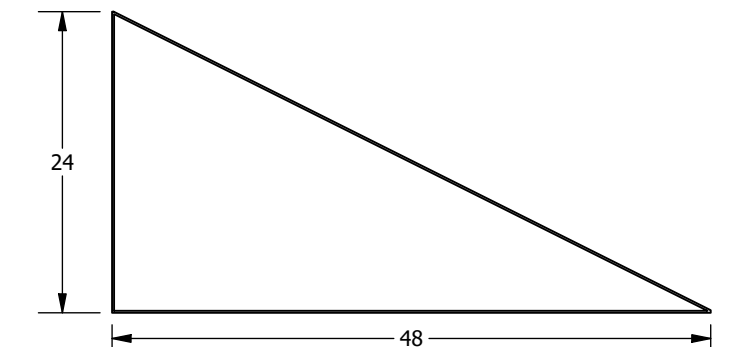
Optima 9/16" Square Tegular - 75 Deg. 48 in Base Trapezoid  
100212



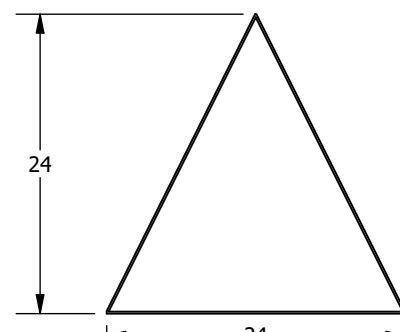
Optima 9/16" Square Tegular - 45 Deg. 24 in Base Rt. Triangle  
100207



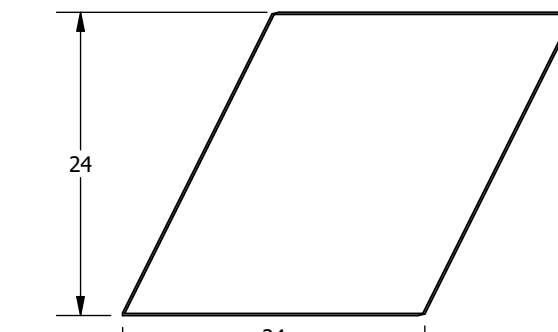
Optima 9/16" Square Tegular - 60 Deg. 48 in Base Right Rt. Triangle  
100206



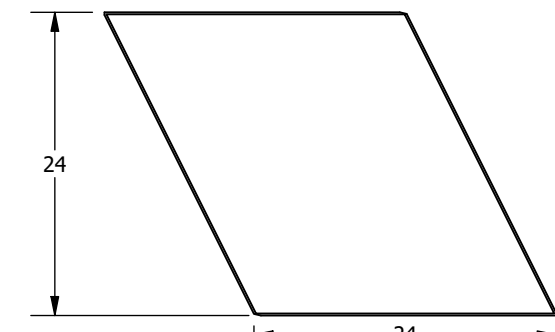
Optima 9/16" Square Tegular - 60 Deg. 48 in Base Left Rt. Triangle  
100205



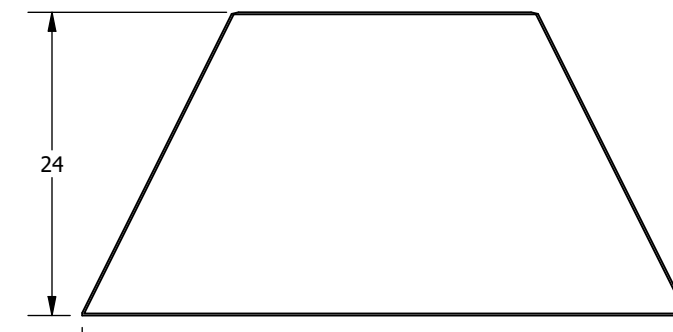
Optima 9/16" Square Tegular - 60 Deg. 24 in Base Triangle  
100201



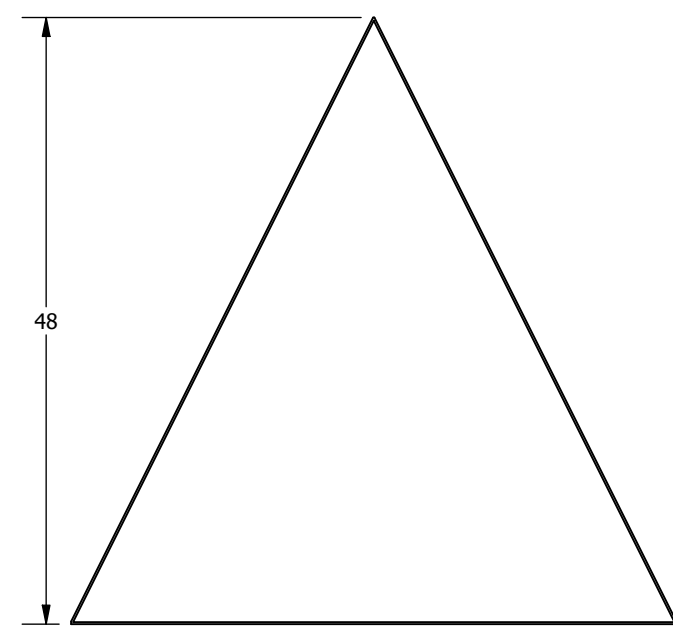
Optima 9/16" Square Tegular - 60 Deg. 24 in Base Right Parallelogram  
100215



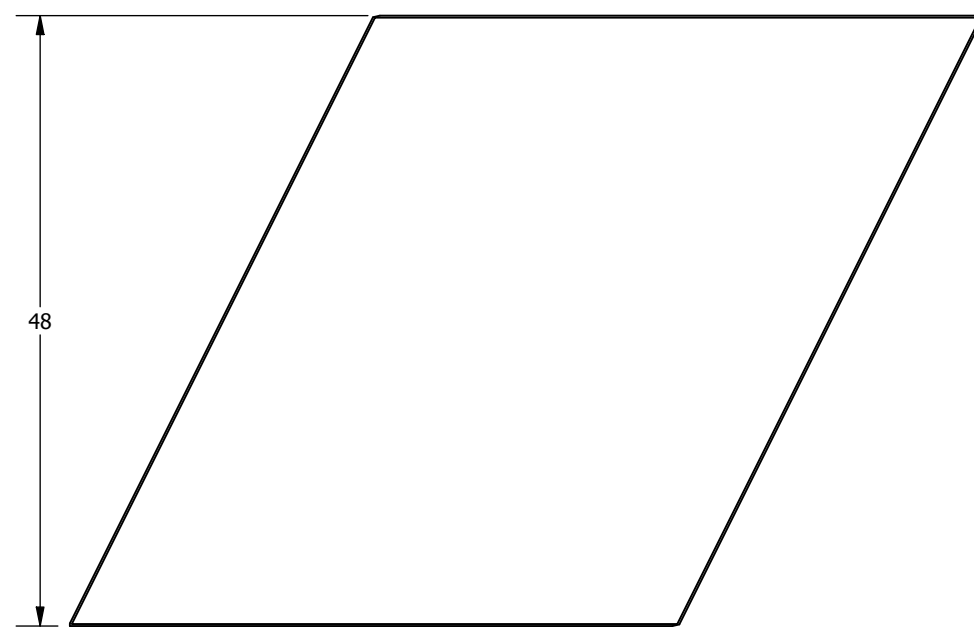
Optima 9/16" Square Tegular - 60 Deg. 24 in Base Left Parallelogram  
100216



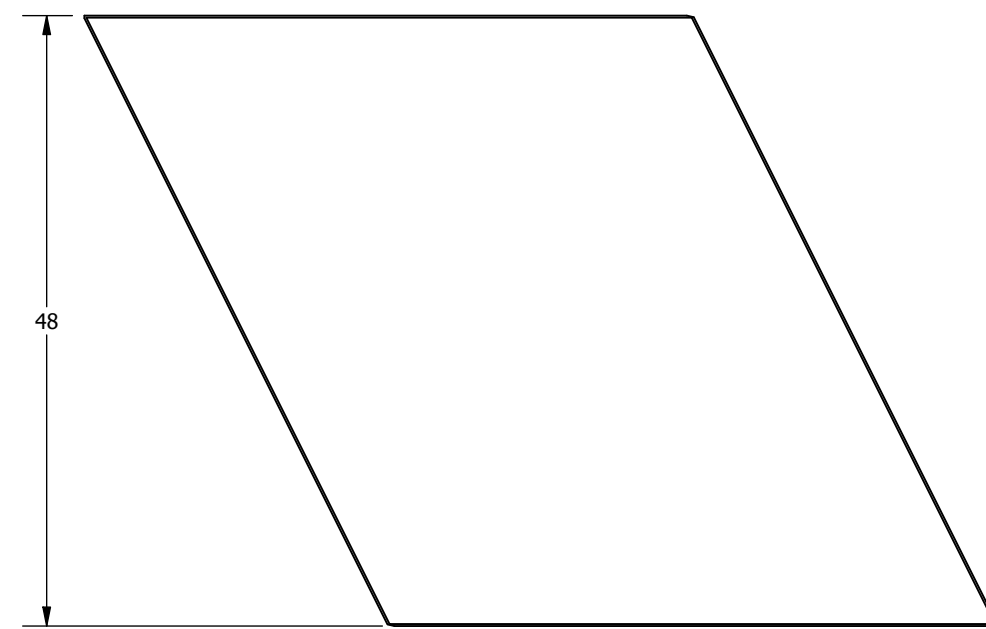
Optima 9/16" Square Tegular - 60 Deg. 48 in Base Trapezoid  
100210



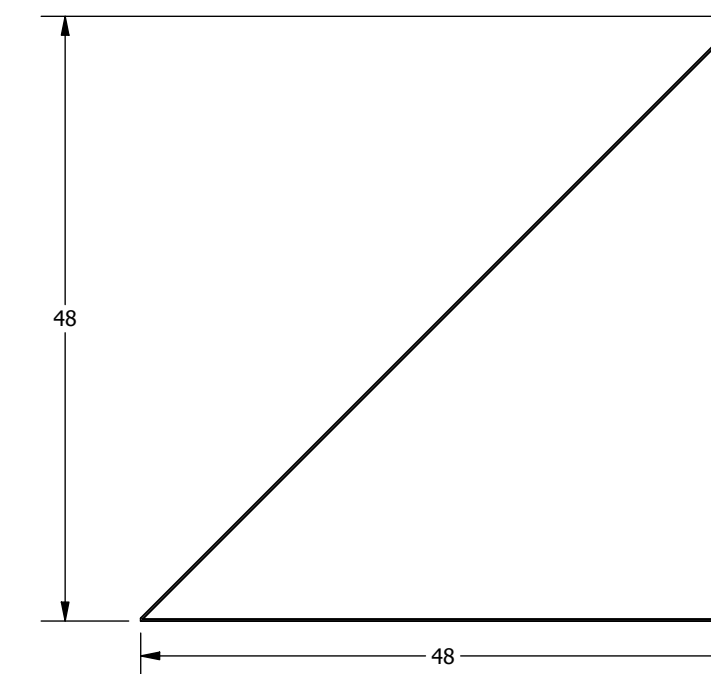
Optima 9/16" Square Tegular - 60 Deg. 48 in Base Triangle  
100202



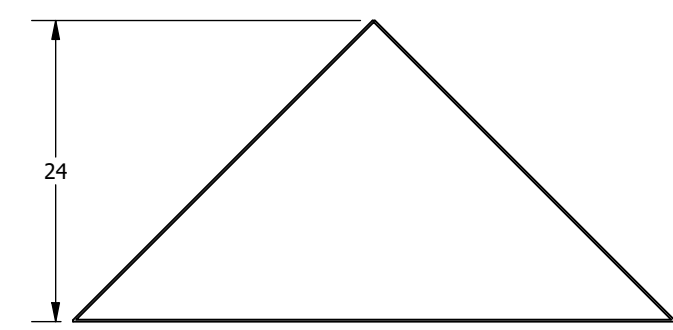
Optima 9/16" Square Tegular - 60 Deg. 48 in Base Right Parallelogram  
100217



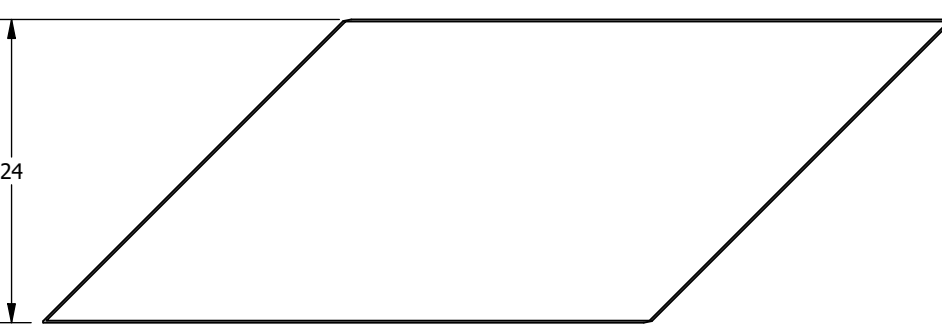
Optima 9/16" Square Tegular - 60 Deg. 48 in Base Left Parallelogram  
100218



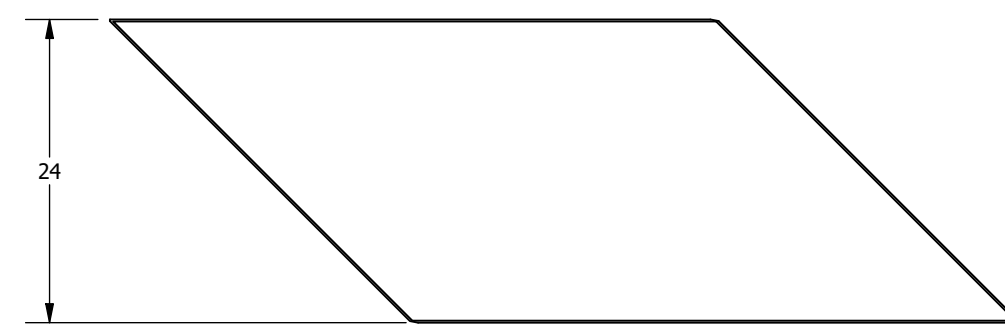
Optima 9/16" Square Tegular - 45 Deg. 48 in Base Rt. Triangle  
100208



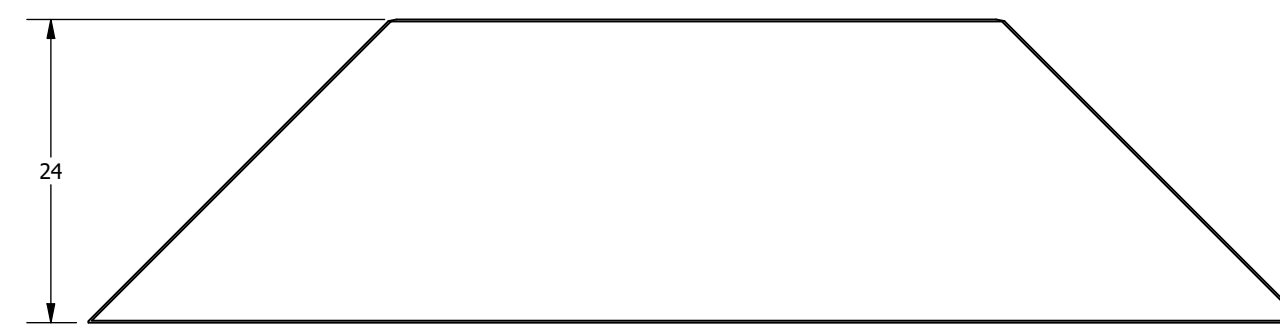
Optima 9/16" Square Tegular - 45 Deg. 48 in Base Triangle  
100200



Optima 9/16" Square Tegular - 45 Deg. 48 in Base Right Parallelogram  
100213



Optima 9/16" Square Tegular - 45 Deg. 48 in Base Left Parallelogram  
100214



Optima 9/16" Square Tegular - 45 Deg. 96 in Base Trapezoid  
100209

NOTES:  
1. Views are from the face of the panel, and descriptions are based on these views  
2. Dimensions are nominal and reflect grid spacings  
3. Scale 1:15