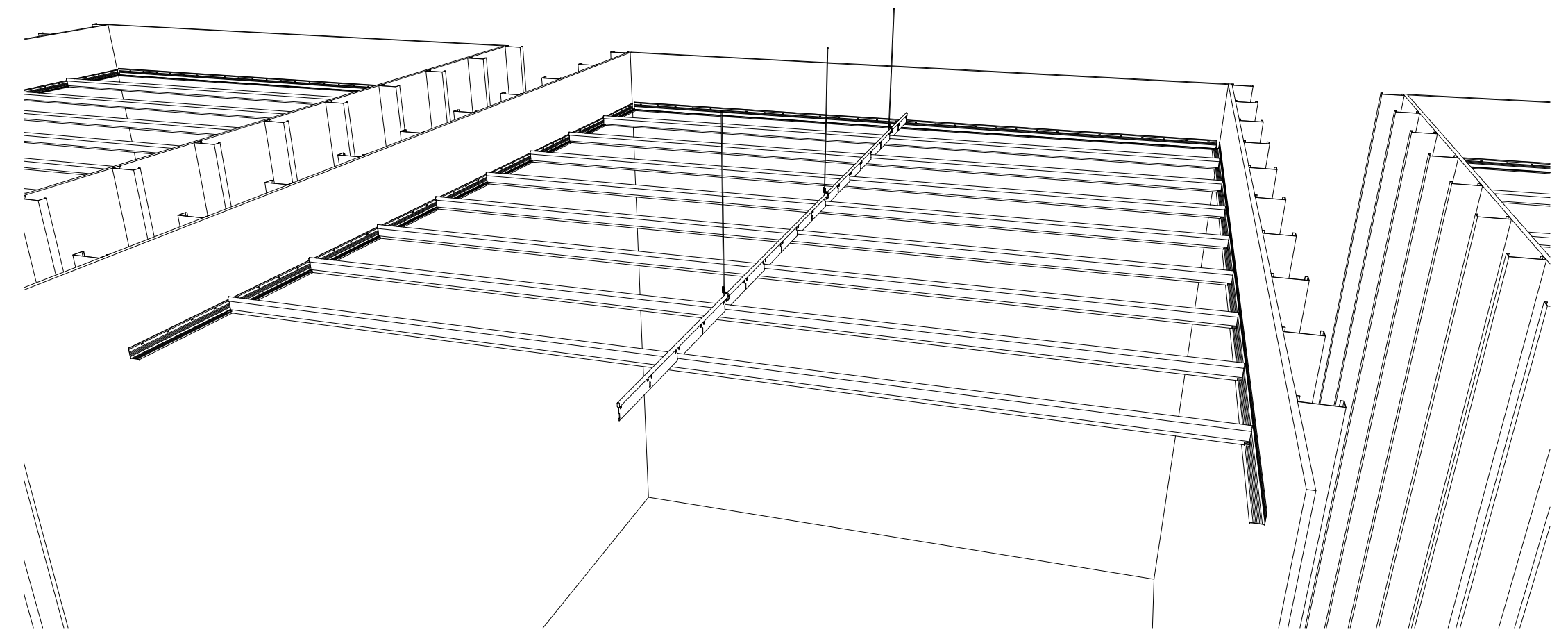
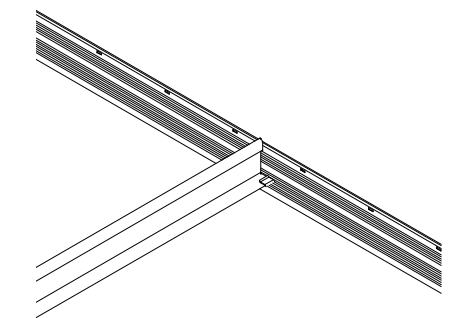
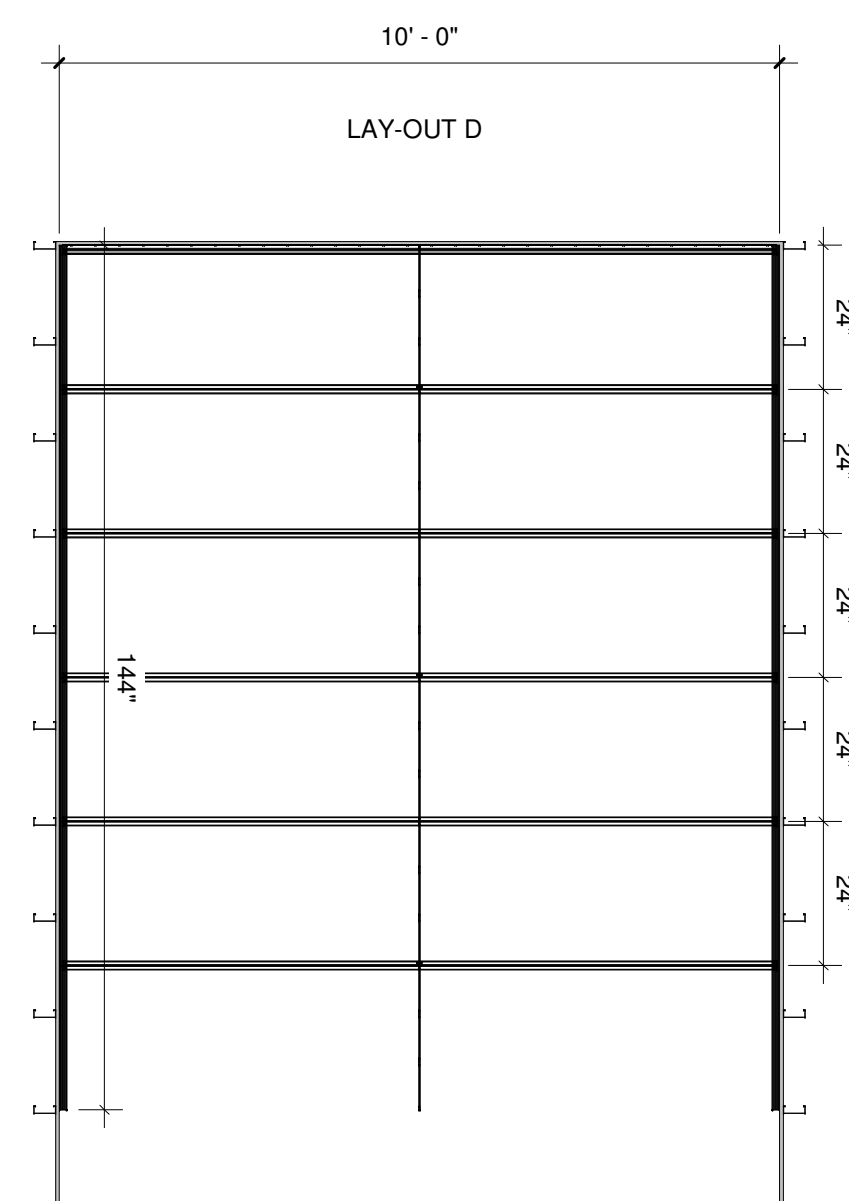
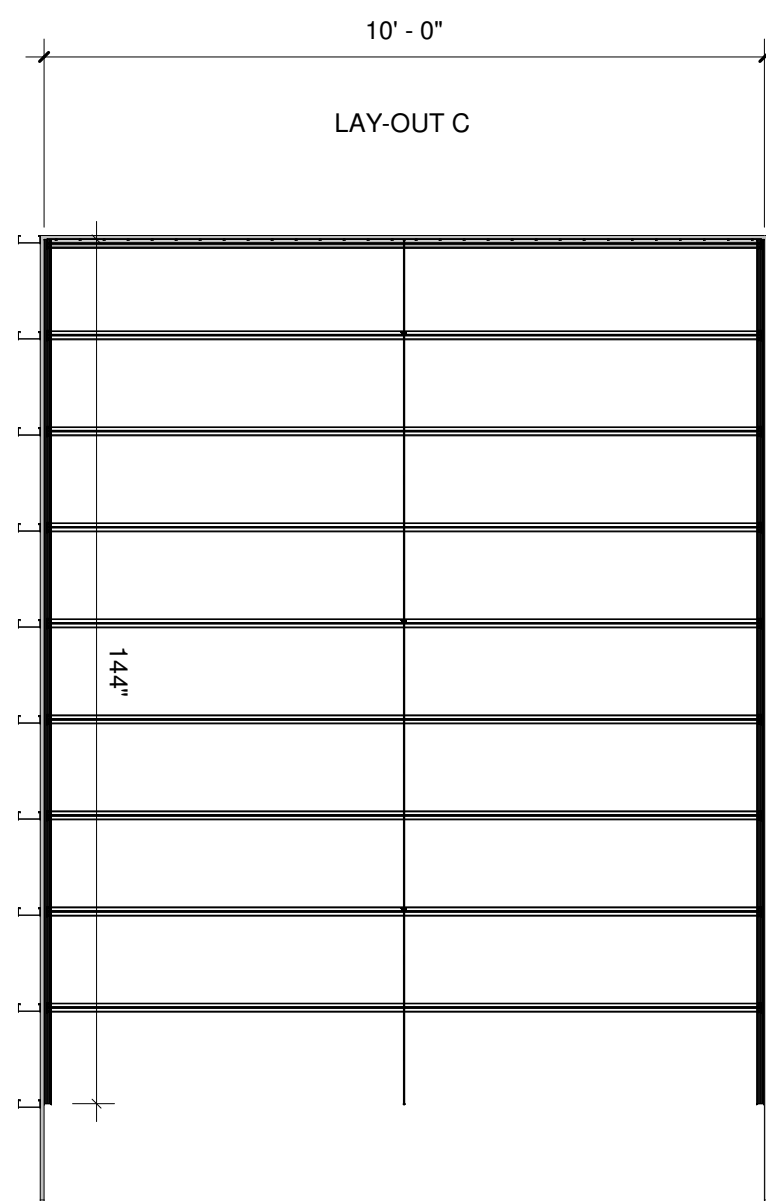
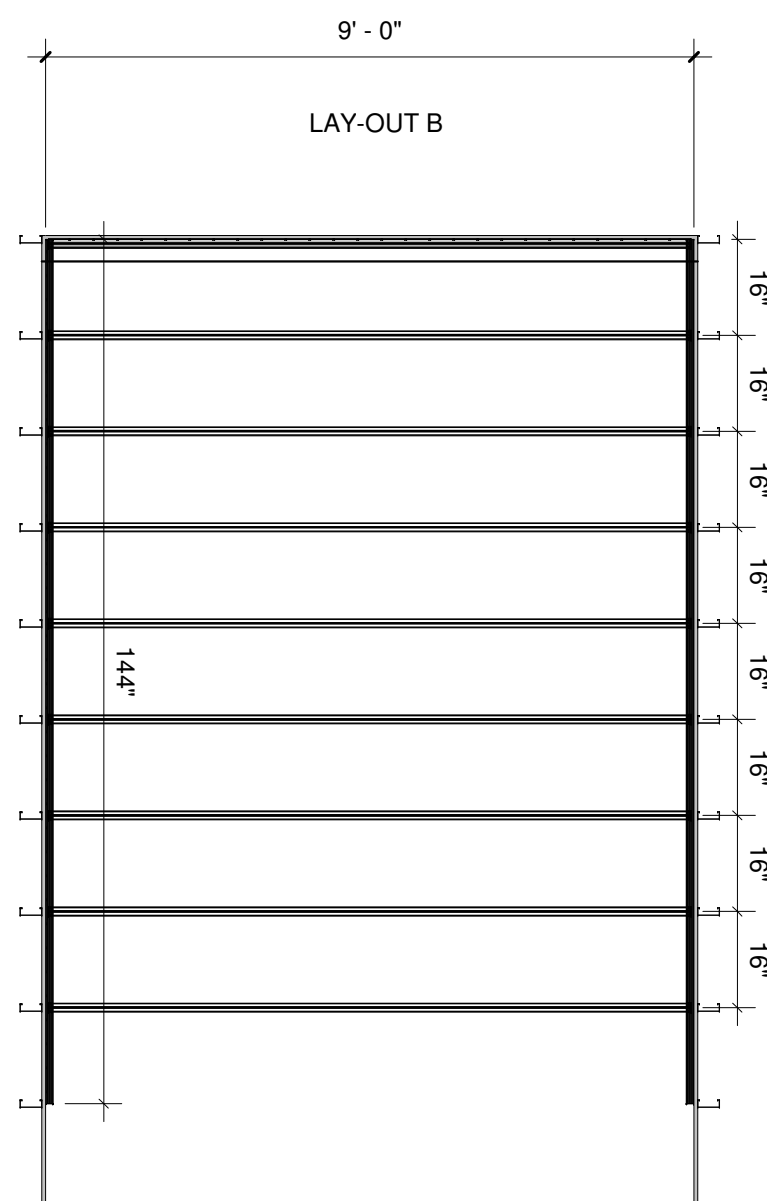
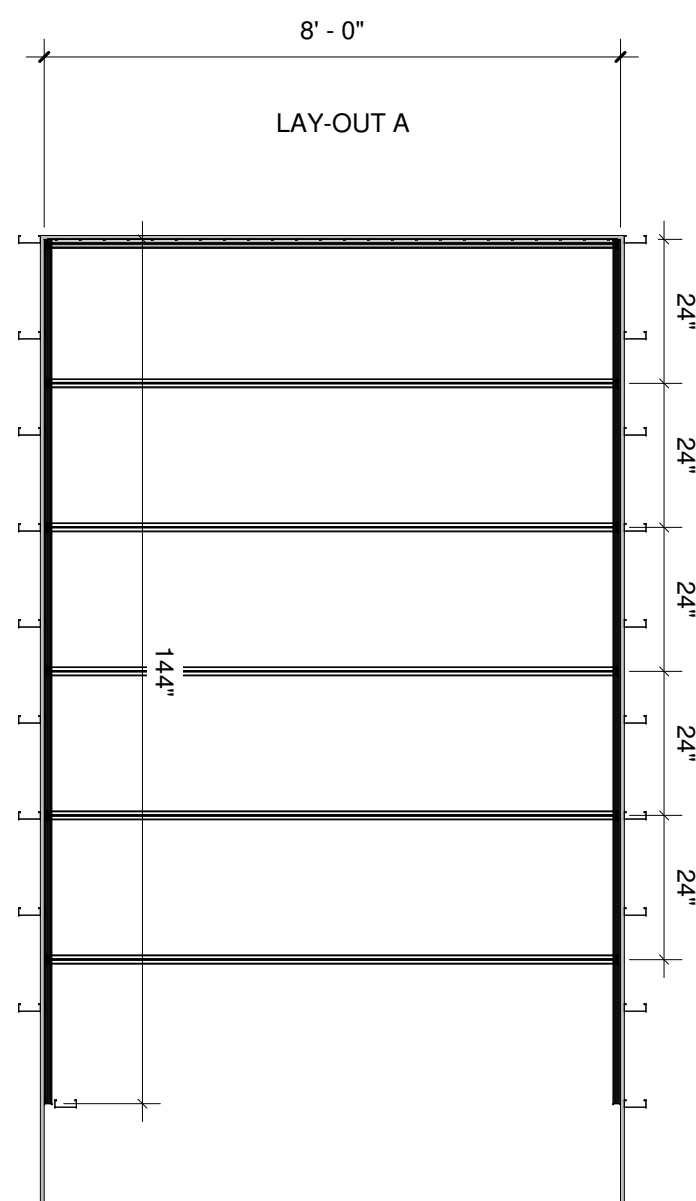


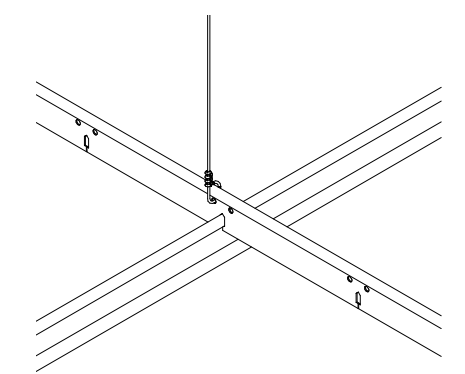
3D LAY-OUT VIEWS (A)



3D LAY-OUT VIEW (B)



SHORTSPAN TO LAM CONNECTION



SHORTSPAN TO STRONGBACK CONNECTION

Armstrong
World Industries

ARMSTRONG CEILINGS
P.O. Box 3001
Lancaster, PA 17604
PHONE: 1-877-276-7876
www.armstrongceilings.com

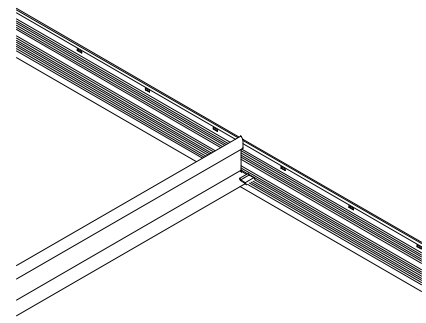
General Notes:

These drawings show typical conditions in which the Armstrong product depicted is installed. They are not a substitute for an Architect's or Engineer's plan and do not reflect the unique requirements of local building codes, laws, statutes, ordinances, rules and regulations (Legal Requirements) that may be applicable for a particular installation.

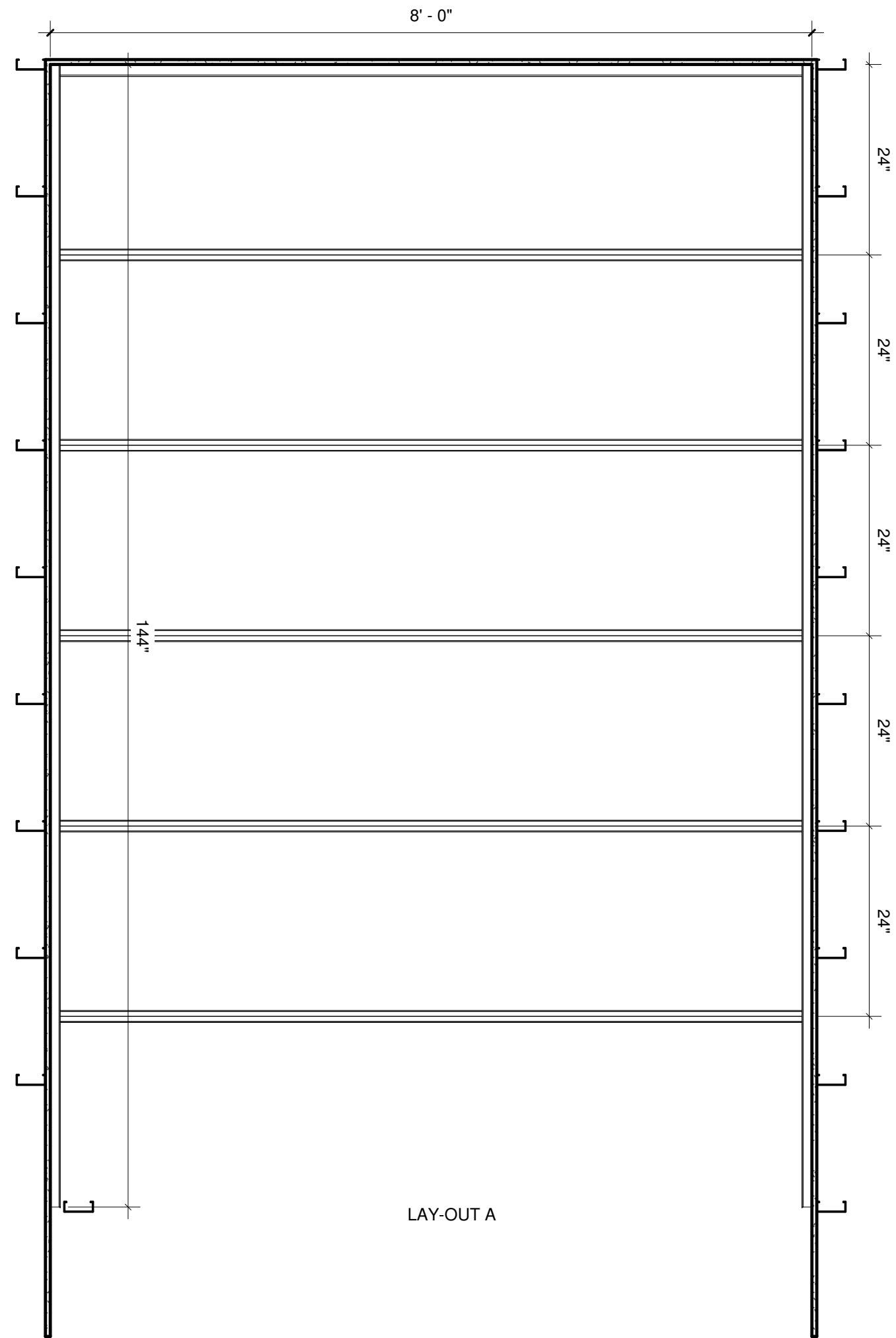
Armstrong Does not warrant, and assumes no liability for the accuracy or completeness of the drawings for a particular installation or their fitness for a particular Purpose. The User is advised to consult with a duly licensed architect or engineer in the particular locale of the installation to assure compliance with all Legal Requirements. Armstrong is not licensed to provide professional Architecture or Engineering design services.

Issued Date 03/10/23

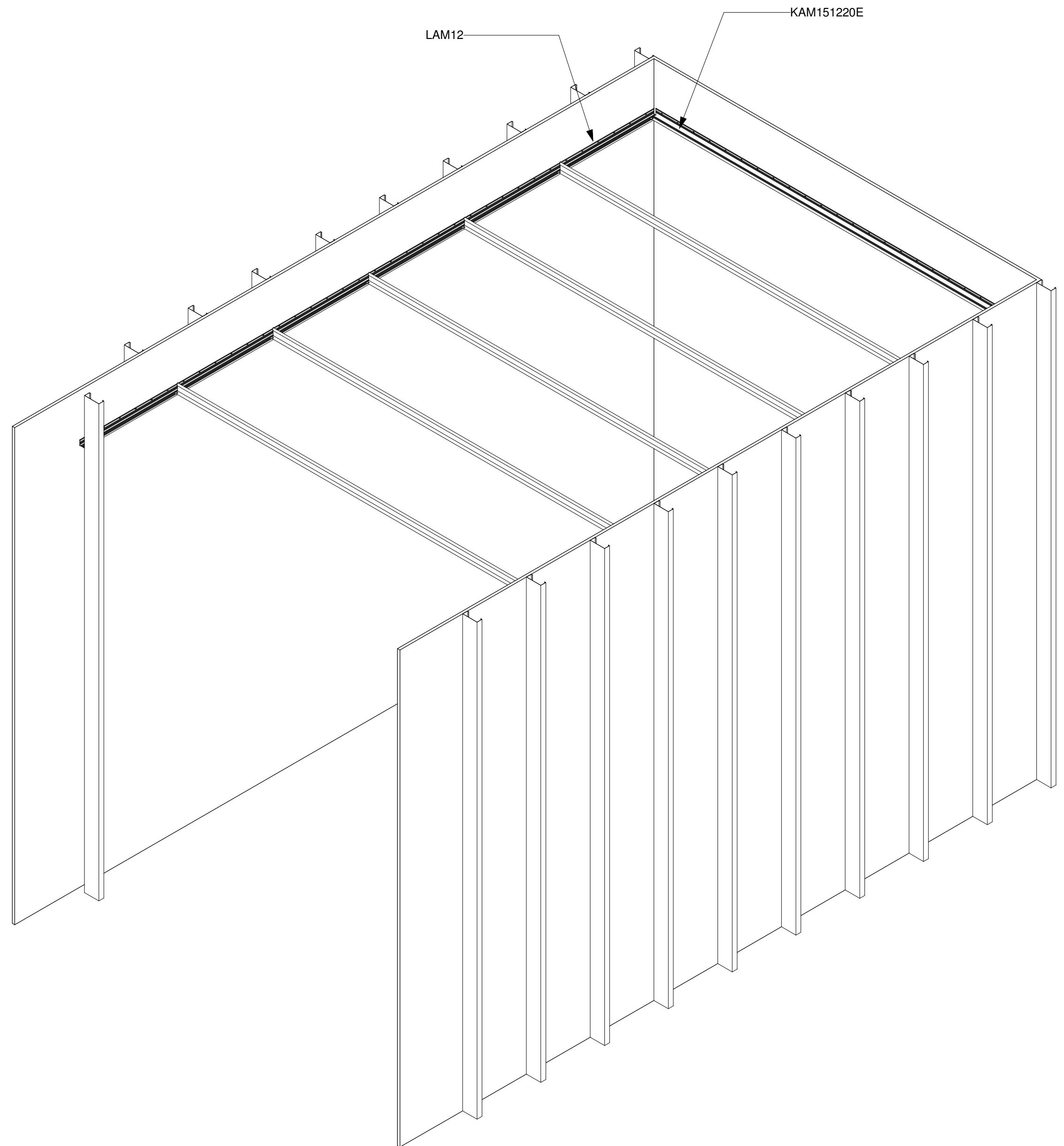
**SHORTSPAN LAY-OUT
OPTIONS**



SHORTSPAN TO LAM CONNECTION - LAYOUT A



PLAN VIEW LOCKING MOLDING APPLICATION - LAYOUT A



3D VIEW LOCKING MOLDING APPLICATION (A) - LAYOUT A

Armstrong
World Industries

ARMSTRONG CEILINGS
P.O. Box 3001
Lancaster, PA 17604
PHONE: 1-877-276-7876
www.armstrongceilings.com

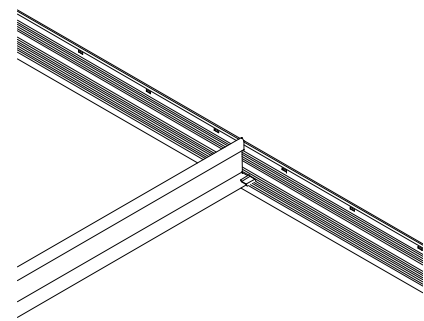
General Notes:

These drawings show typical conditions in which the Armstrong product depicted is installed. They are not a substitute for an Architect's or Engineer's plan and do not reflect the unique requirements of local building codes, laws, statutes, ordinances, rules and regulations (Legal Requirements) that may be applicable for a particular installation.

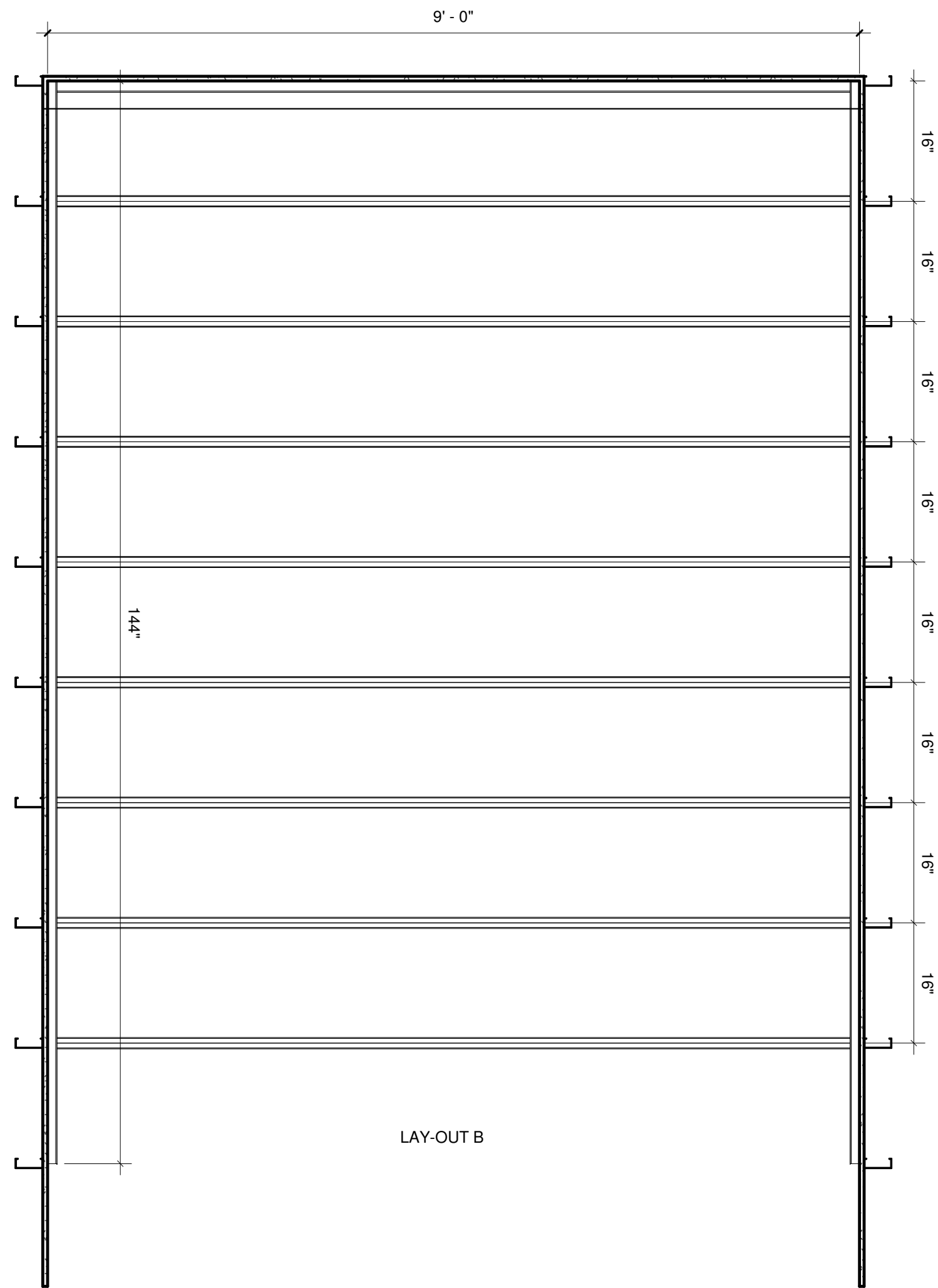
Armstrong Does not warrant, and assumes no liability for the accuracy or completeness of the drawings for a particular installation or their fitness for a particular Purpose. The User is advised to consult with a duly licensed architect or engineer in the particular locale of the installation to assure compliance with all Legal Requirements. Armstrong is not licensed to provide professional Architecture or Engineering design services.

Issued Date 12/14/23

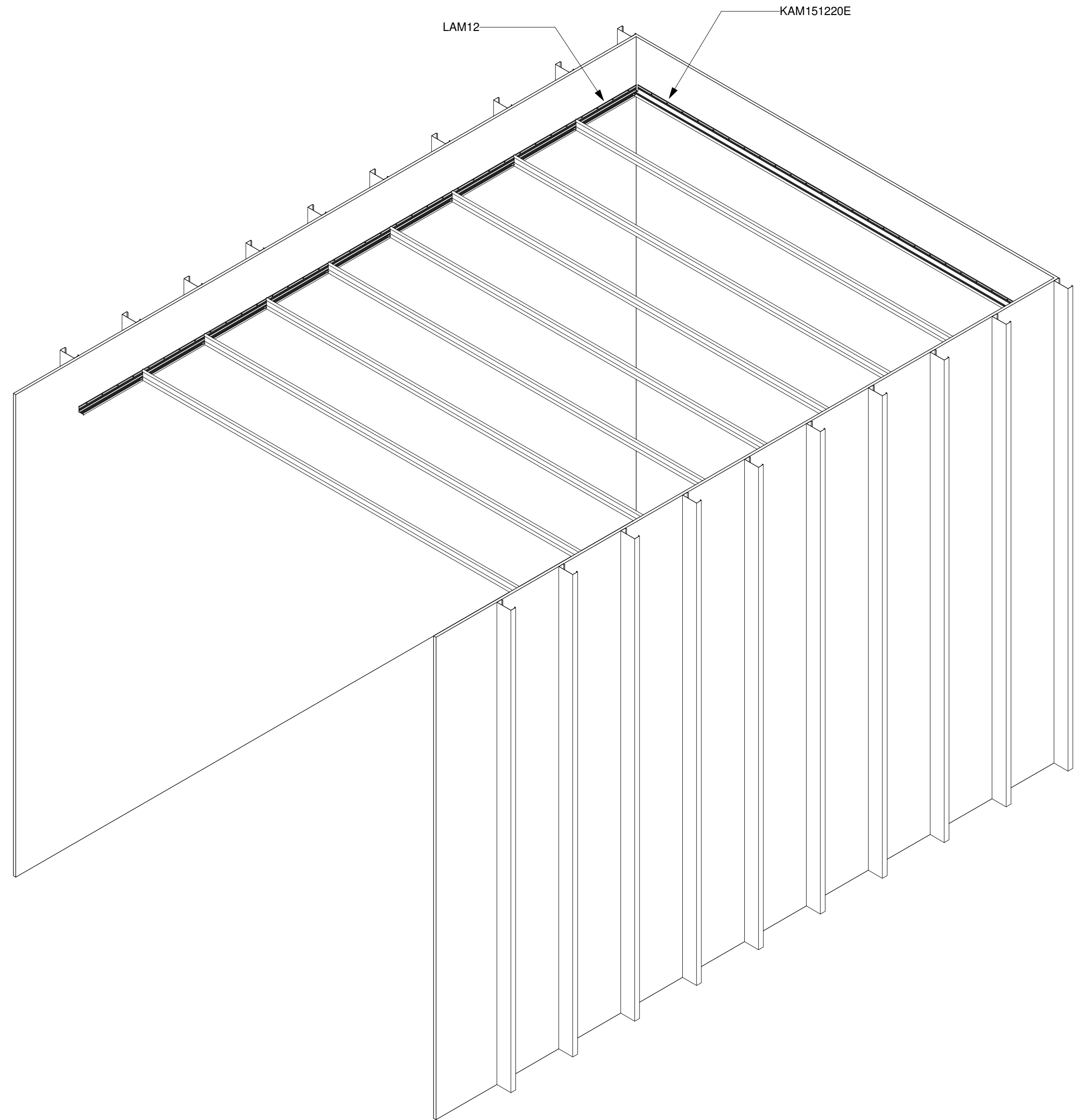
LAYOUT A



SHORTSPAN TO LAM CONNECTION - LAYOUT B



PLAN VIEW LOCKING MOLDING APPLICATION - LAYOUT B



3D VIEW LOCKING MOLDING APPLICATION (A) - LAYOUT B

Armstrong®
World Industries

ARMSTRONG CEILINGS
P.O. Box 3001
Lancaster, PA 17604
PHONE: 1-877-276-7876
www.armstrongceilings.com

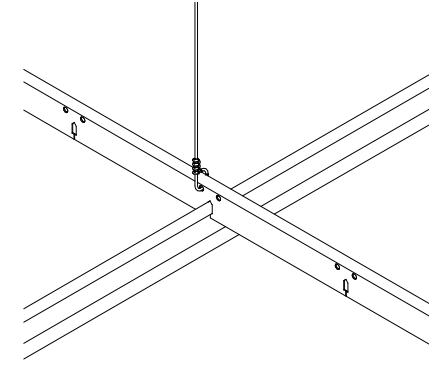
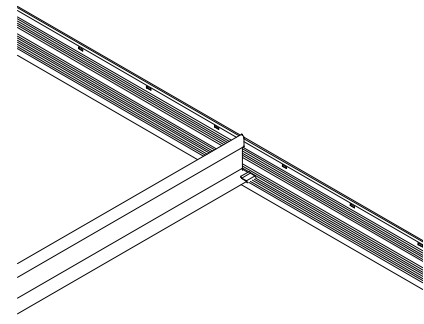
General Notes:

These drawings show typical conditions in which the Armstrong product depicted is installed. They are not a substitute for an Architect's or Engineer's plan and do not reflect the unique requirements of local building codes, laws, statutes, ordinances, rules and regulations (Legal Requirements) that may be applicable for a particular installation.

Armstrong Does not warrant, and assumes no liability for the accuracy or completeness of the drawings for a particular installation or their fitness for a particular Purpose. The User is advised to consult with a duly licensed architect or engineer in the particular locale of the installation to assure compliance with all Legal Requirements. Armstrong is not licensed to provide professional Architecture or Engineering design services.

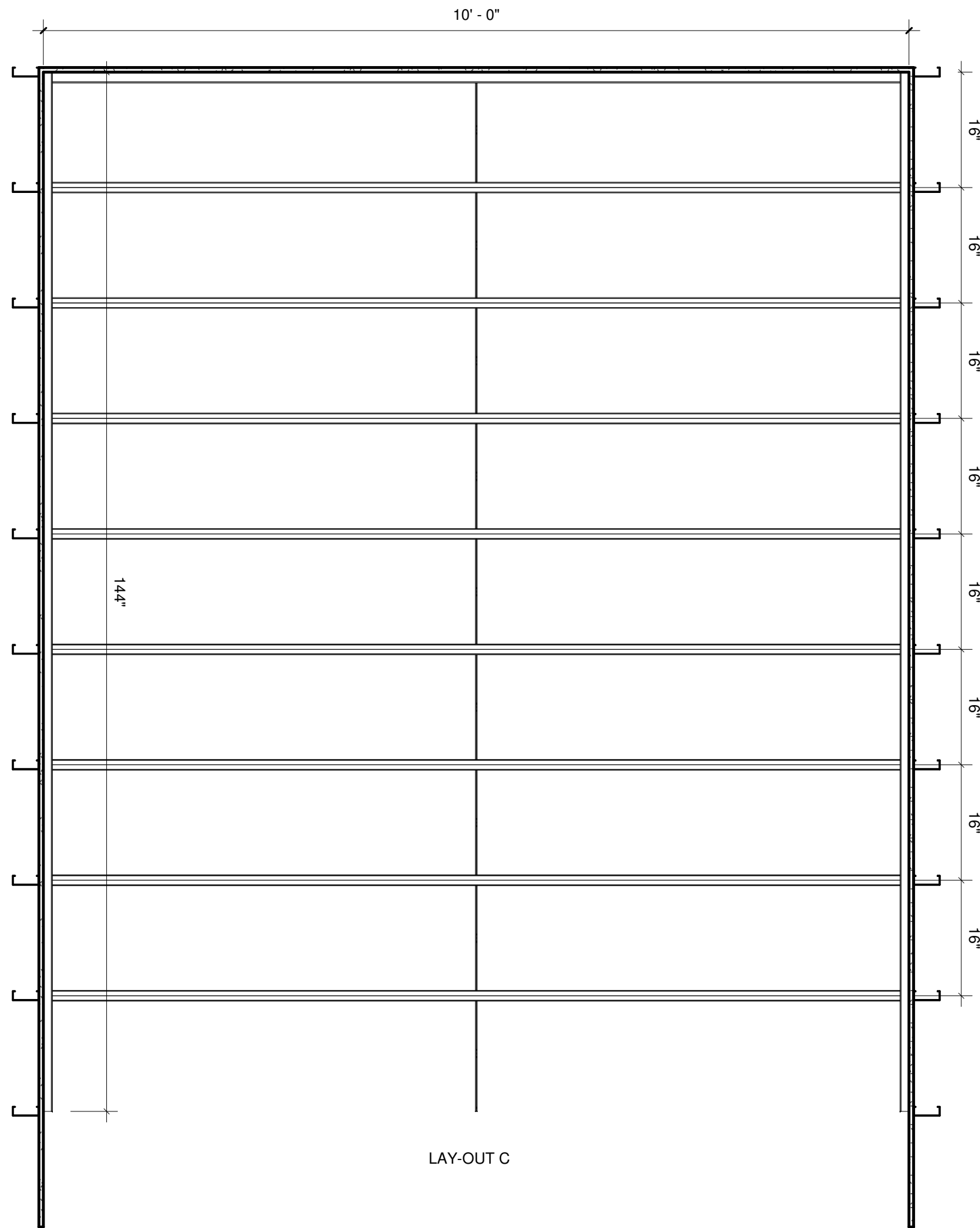
Issued Date 12/14/23

LAYOUT B

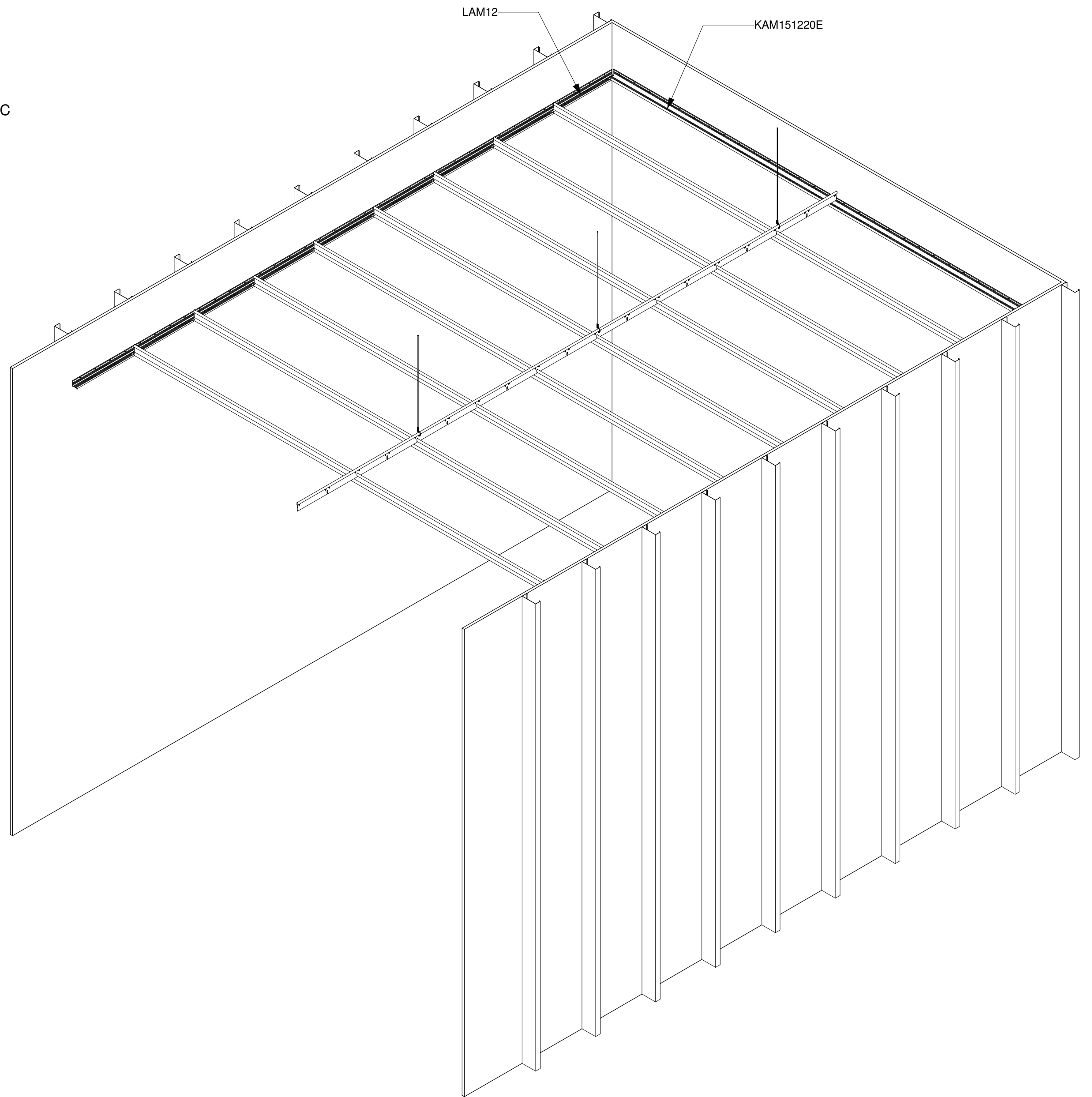


SHORTSPAN TO LAM CONNECTION - LAYOUT C

SHORTSPAN TO STRONGBACK CONNECTION - LAYOUT C



PLAN VIEW LOCKING MOLDING APPLICATION - LAYOUT C



3D VIEW LOCKING MOLDING APPLICATION (A) - LAYOUT C

Armstrong
World Industries

ARMSTRONG CEILINGS
P.O. Box 3001
Lancaster, PA 17604
PHONE: 1-877-276-7876
www.armstrongceilings.com

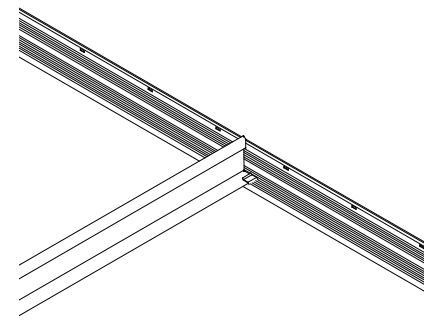
General Notes:

These drawings show typical conditions in which the Armstrong product depicted is installed. They are not a substitute for an Architect's or Engineer's plan and do not reflect the unique requirements of local building codes, laws, statutes, ordinances, rules and regulations (Legal Requirements) that may be applicable for a particular installation.

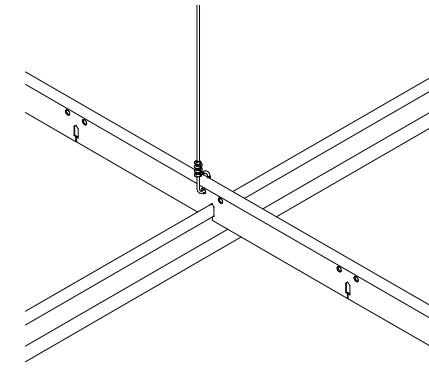
Armstrong Does not warrant, and assumes no liability for the accuracy or completeness of the drawings for a particular installation or their fitness for a particular Purpose. The User is advised to consult with a duly licensed architect or engineer in the particular locale of the installation to assure compliance with all Legal Requirements. Armstrong is not licensed to provide professional Architecture or Engineering design services.

Issued Date 12/14/23

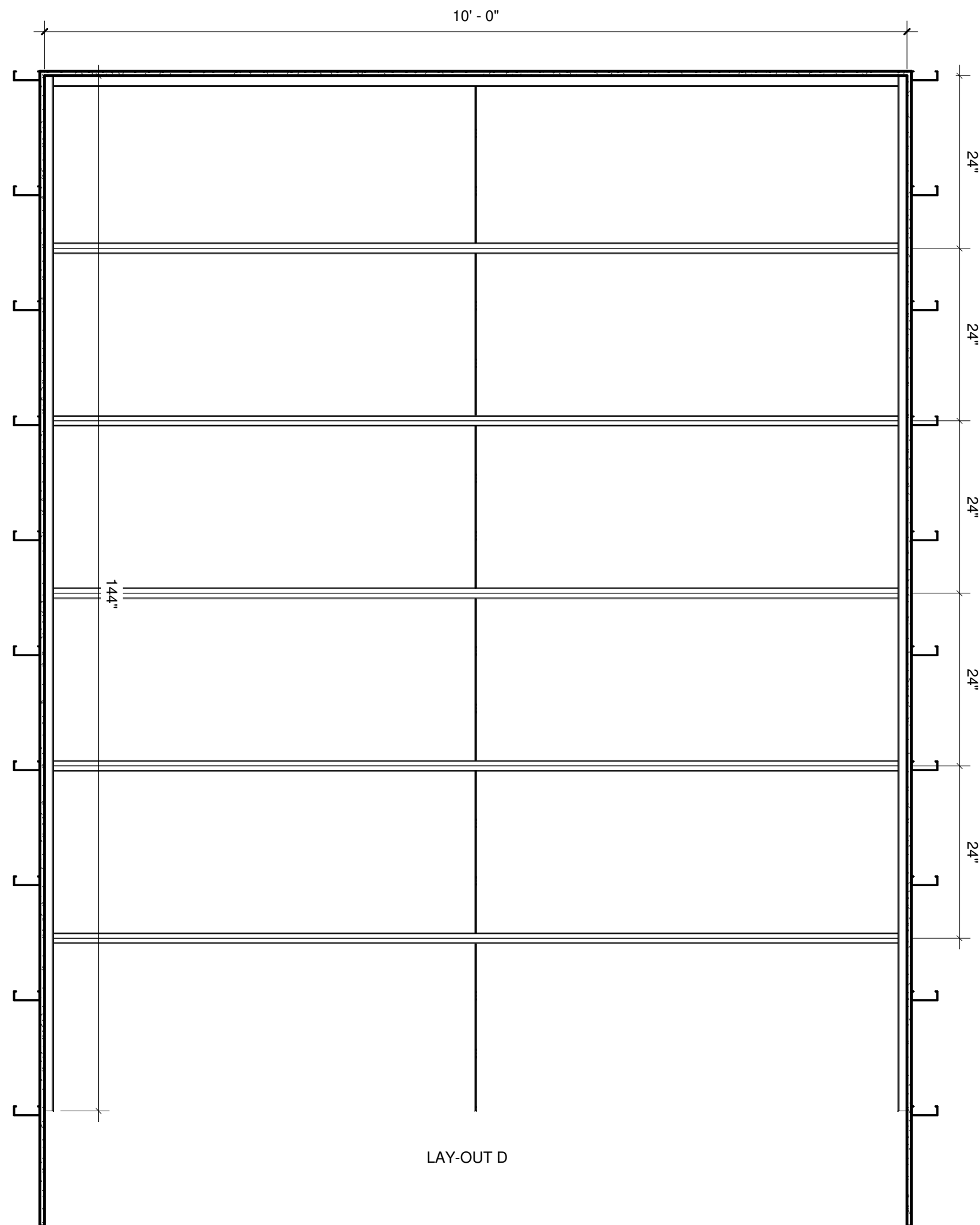
LAYOUT C



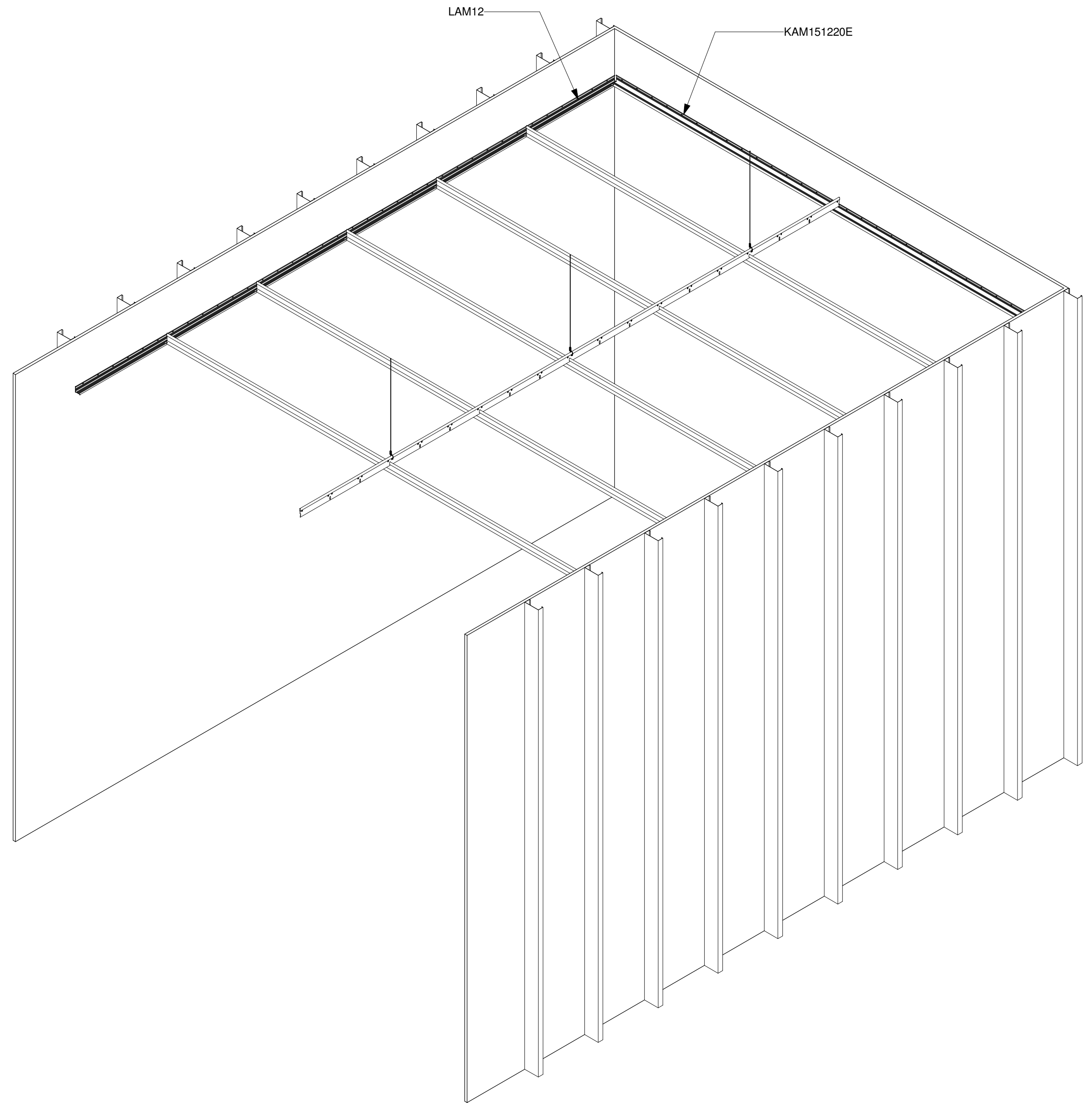
SHORTSPAN TO LAM CONNECTION - LAYOUT D



SHORTSPAN TO STRONGBACK CONNECTION - LAYOUT D



PLAN VIEW LOCKING MOLDING APPLICATION - LAYOUT D



3D VIEW LOCKING MOLDING APPLICATION (A) - LAYOUT D

Armstrong®
World Industries

ARMSTRONG CEILINGS
P.O. Box 3001
Lancaster, PA 17604
PHONE: 1-877-276-7876
www.armstrongceilings.com

General Notes:

These drawings show typical conditions in which the Armstrong product depicted is installed. They are not a substitute for an Architect's or Engineer's plan and do not reflect the unique requirements of local building codes, laws, statutes, ordinances, rules and regulations (Legal Requirements) that may be applicable for a particular installation.

Armstrong Does not warrant, and assumes no liability for the accuracy or completeness of the drawings for a particular installation or their fitness for a particular Purpose. The User is advised to consult with a duly licensed architect or engineer in the particular locale of the installation to assure compliance with all Legal Requirements. Armstrong is not licensed to provide professional Architecture or Engineering design services.

Issued Date 12/14/23

LAYOUT D