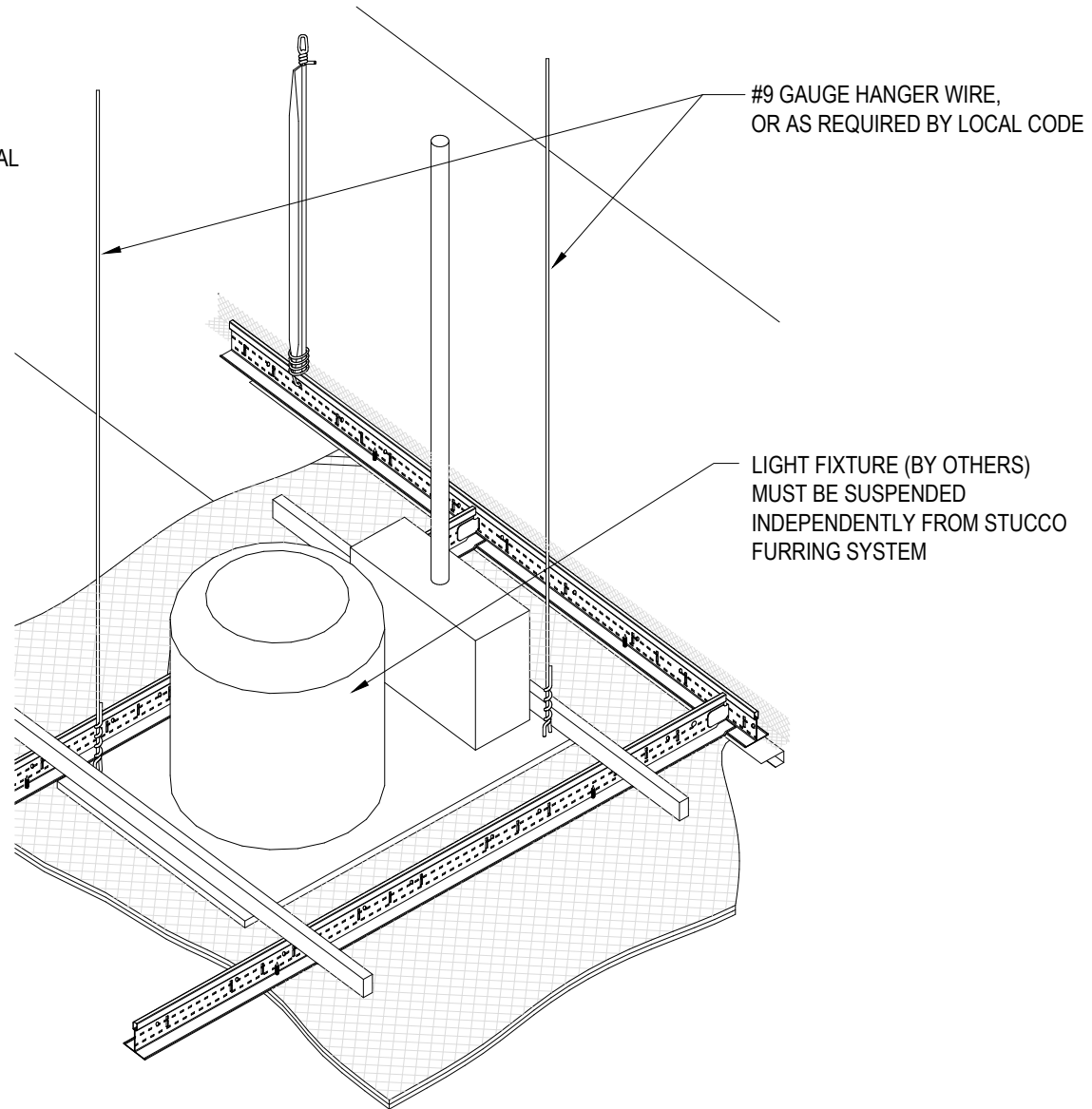


GENERAL NOTES FOR STANDARD CEILING SYSTEMS:

- INSTALL PER ASTM C754 AND PRODUCT INSTALLATION INSTRUCTIONS
- CONSULT YOUR LOCAL BUILDING CODE FOR ADDITIONAL REQUIREMENTS OUTSIDE OF THE ARMSTRONG INSTALLATION INSTRUCTIONS. THIS INCLUDES BUT IS NOT LIMITED TO BRACING OF TRANSITIONS, AND ADDITIONAL SEISMIC REQUIREMENTS.
- FIELD VERIFY ALL CONDITIONS AND DIMENSIONS.



These drawings show typical conditions in which the Armstrong product depicted is installed. They are not a substitute for an architect's or engineer's plan and do not reflect the unique requirements of local building codes, laws, statutes, ordinances, rules and regulations (Legal Requirements) that may be applicable for a particular installation.

Armstrong does not warrant, and assumes no liability for the accuracy or completeness of the drawings for a particular installation or their fitness for a particular purpose. The user is advised to consult with a duly licensed architect or engineer in the particular locale of the installation to assure compliance with all Legal Requirements.

Armstrong is not licensed to provide professional architecture or engineering design services.

PROJECT NAME:		STUCCO FURRING LIGHT FIXTURE INSTALLATION	
DWG. NO. ISO	PATH:	REV.:	DATE:
DATE: 7/3/13	SCALE:	DESC.:	
DRAWN BY: MSS			