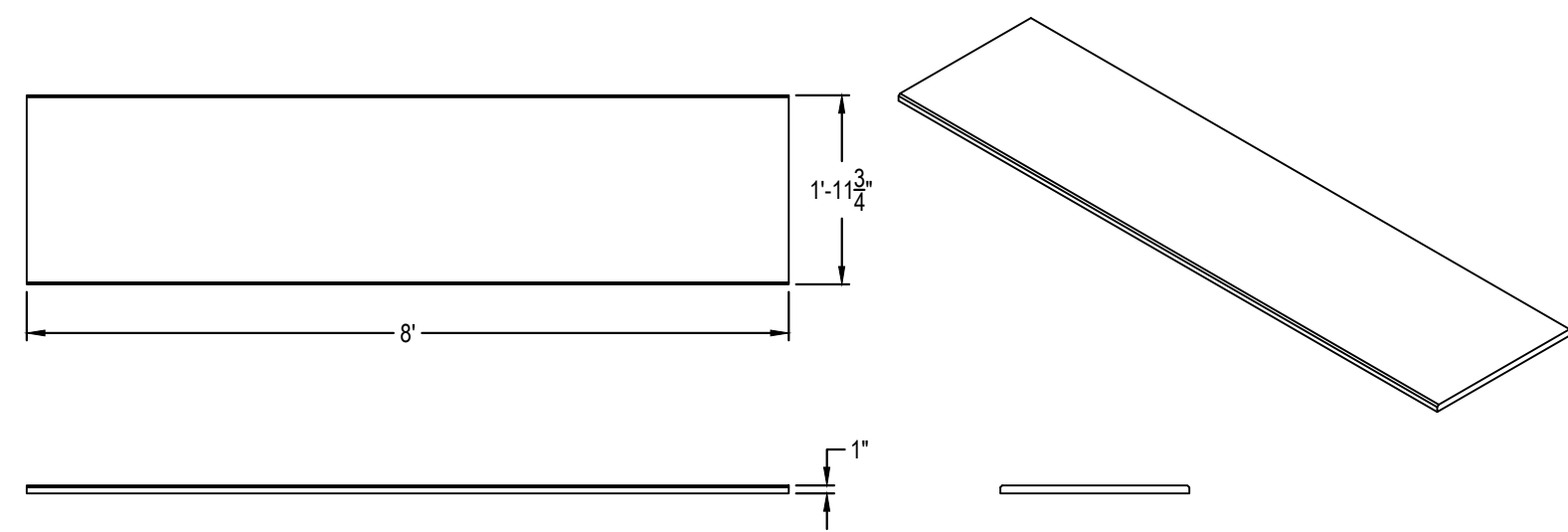
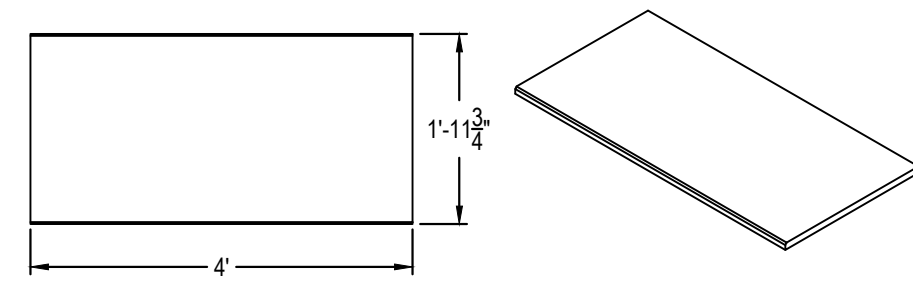


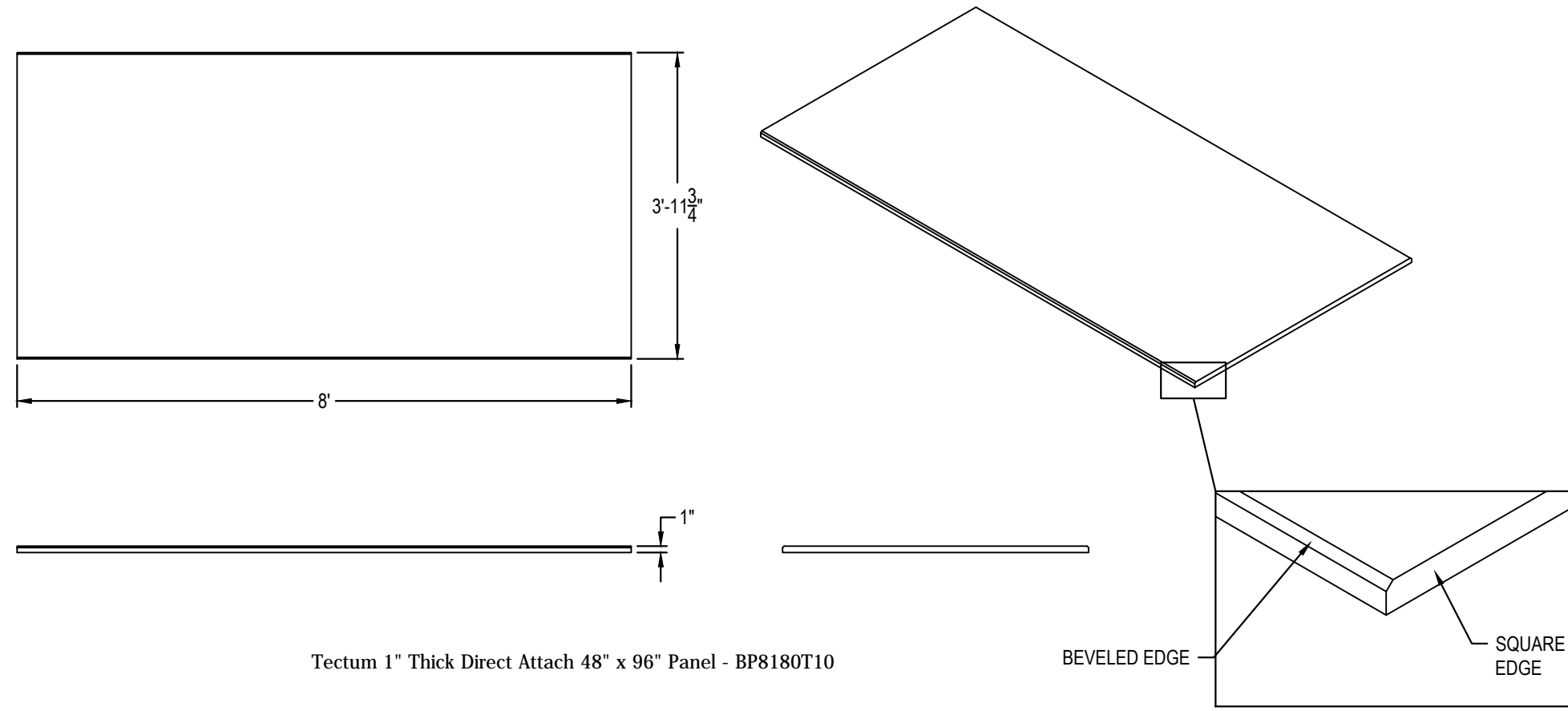
**BEVELED LONG EDGES / SQUARED ENDS**



Tectum 1" Thick Direct Attach 24" x 96" Panel - BP8181T10



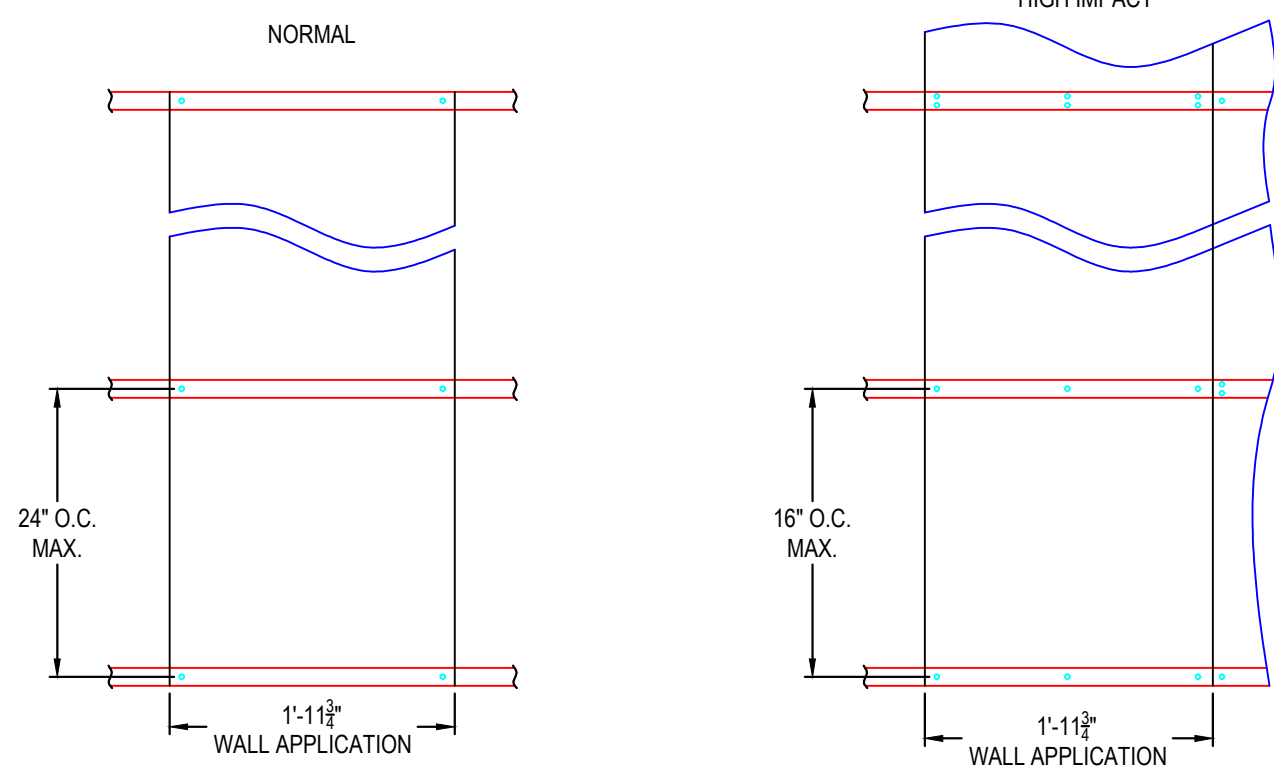
Tectum 1" Thick Direct Attach 24" x 48" Panel - BP8182T10



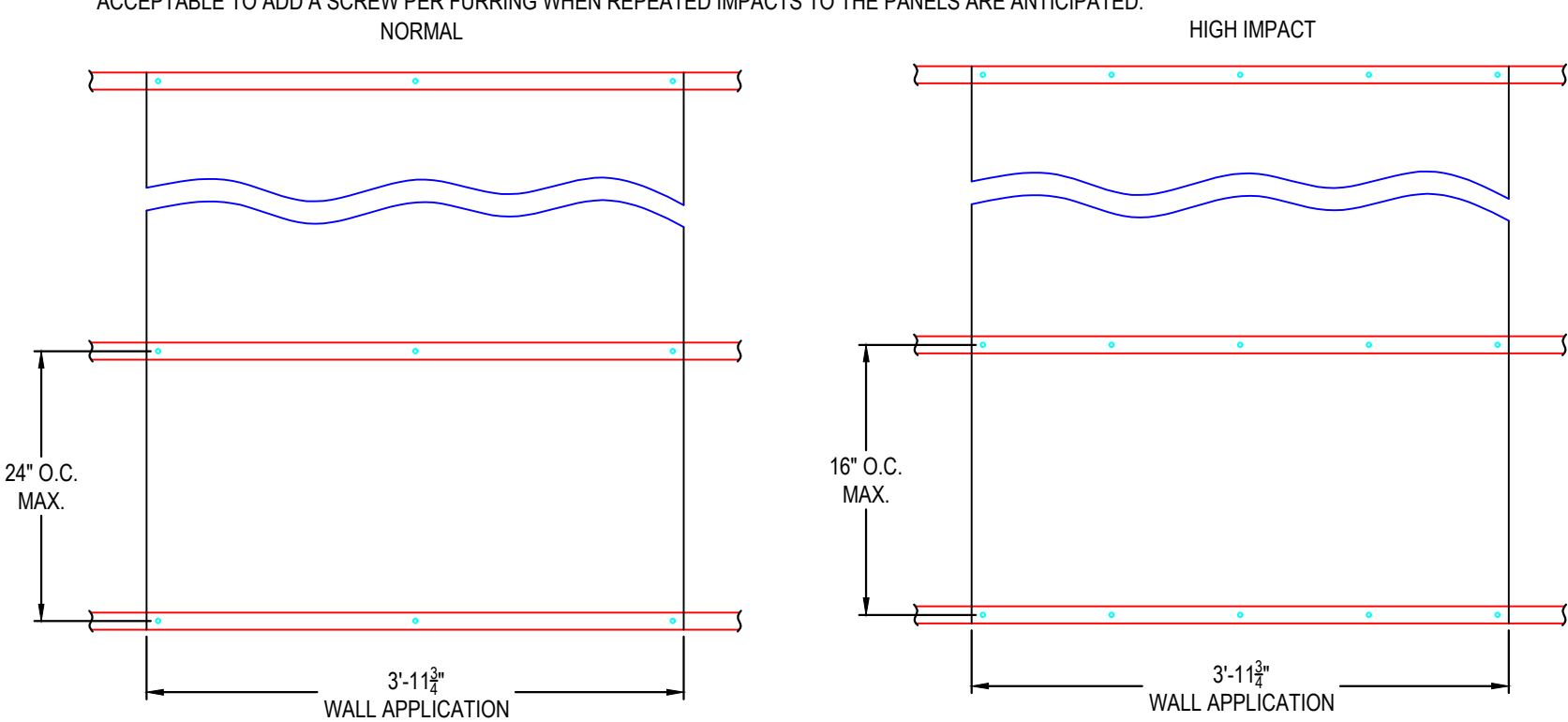
Tectum 1" Thick Direct Attach 48" x 96" Panel - BP8180T10

**TYPICAL WALL ATTACHMENT METHODS**

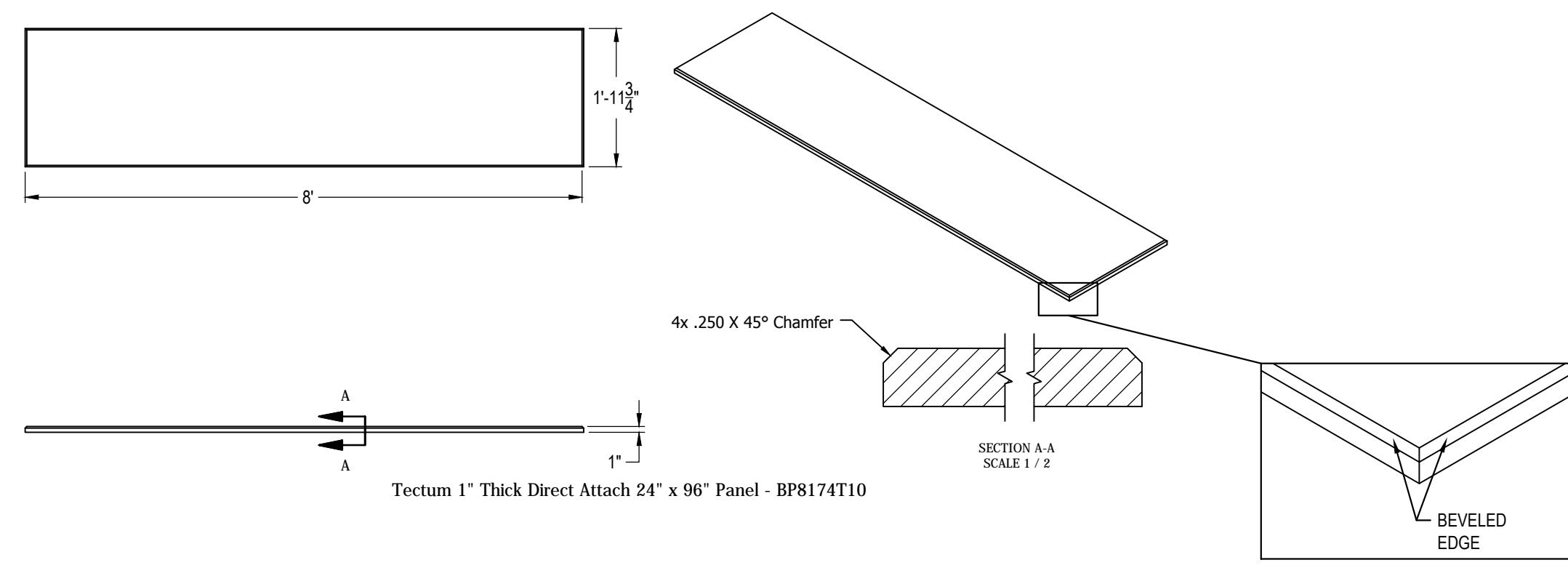
IN HIGH IMPACT AREAS FURRING FOR ONE INCH TECTUM PANELS ON WALLS SHOULD NOT EXCEED 16" O.C. FOR WALL APPLICATIONS OF 1'-11 3/4" WIDE PANELS, PLACE THE FURRING PERPENDICULAR TO THE PANEL AT 24" O.C. AND AT THE TOP AND BOTTOM OF THE PANELS. SPACE THE SCREWS 1" TO 2" FROM EACH PANEL EDGE AT EACH FURRING INTERSECTION. ON CEILING USE 3 SCREWS PER FURRING.



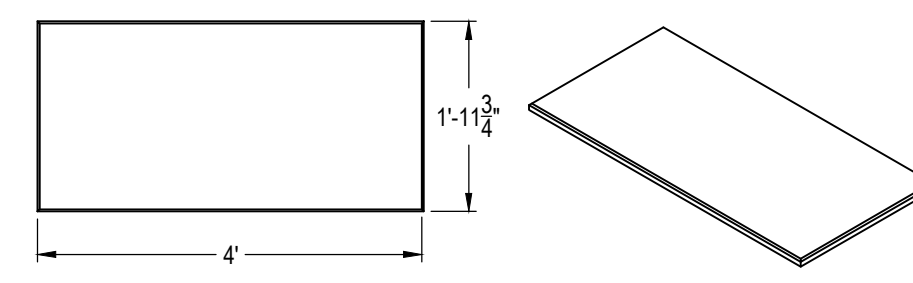
FOR WALL APPLICATIONS OF 3'-11 3/4" TECTUM PANELS, SPACE THE FURRING AT 24" O.C. WITH FURRING AT THE TOP AND BOTTOM OF THE PANEL PERPENDICULAR TO THE PANEL DIRECTION. THREE SCREWS PER FURRING ARE REQUIRED. LOCATE THE SCREWS 1" TO 2" FROM EACH PANEL EDGE AND CENTERED. WHEN USING 3'-11 3/4" WIDE PANELS ON CEILINGS ATTACH TO THE FURRING WITH FIVE SCREWS PER FURRING. IN HIGH ABUSE AREAS SUCH AS GYMNASIUM WALLS UNDER 10' AND GYMNASIUM CEILINGS UNDER 20', THE USE OF A 3/8" CONTINUOUS BEAD OF A CONSTRUCTION ADHESIVE CAN BE USED TO SUPPLEMENT THE SCREWS. IT IS ALSO ACCEPTABLE TO ADD A SCREW PER FURRING WHEN REPEATED IMPACTS TO THE PANELS ARE ANTICIPATED.



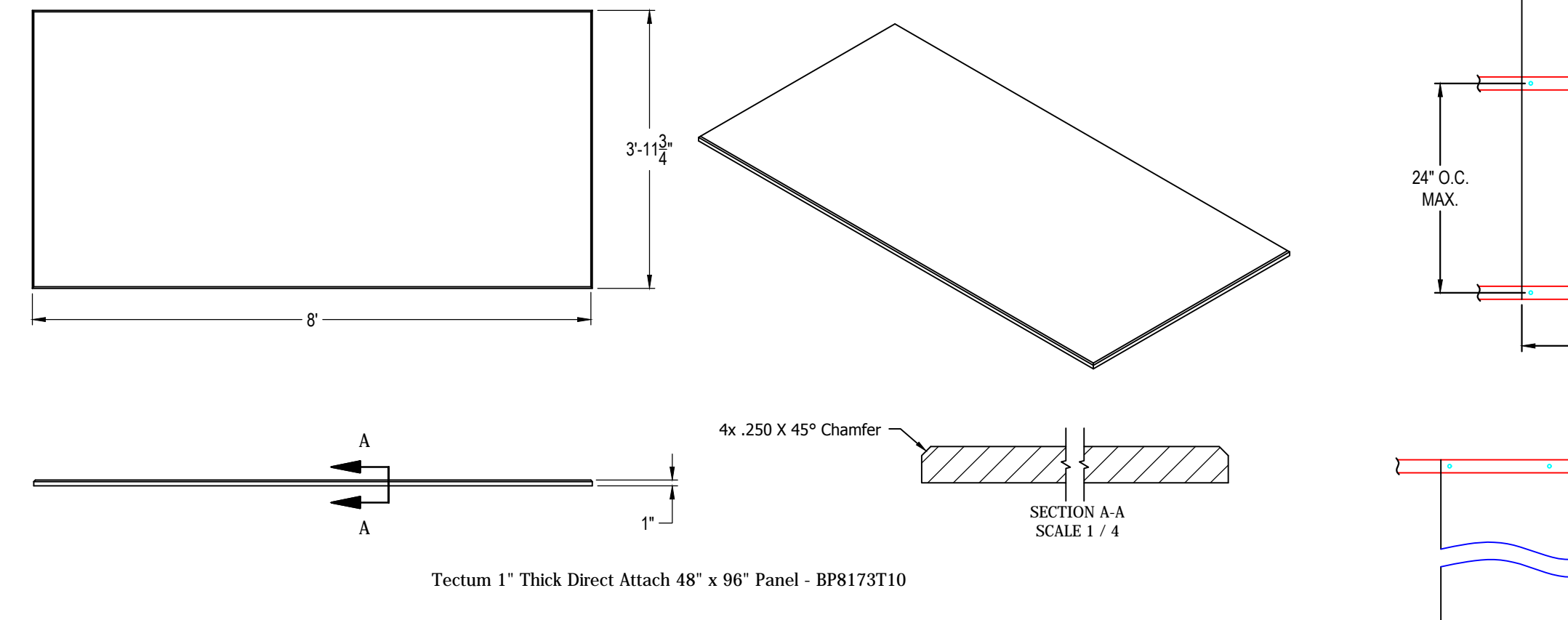
**BEVELED LONG EDGES / BEVELED ENDS**



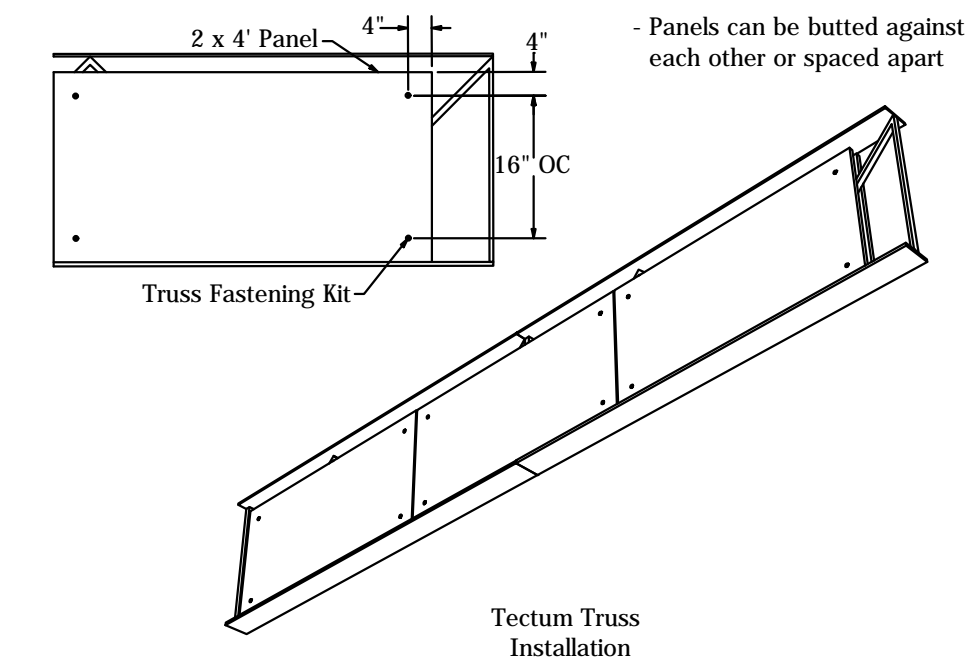
Tectum 1" Thick Direct Attach 24" x 96" Panel - BP8174T10



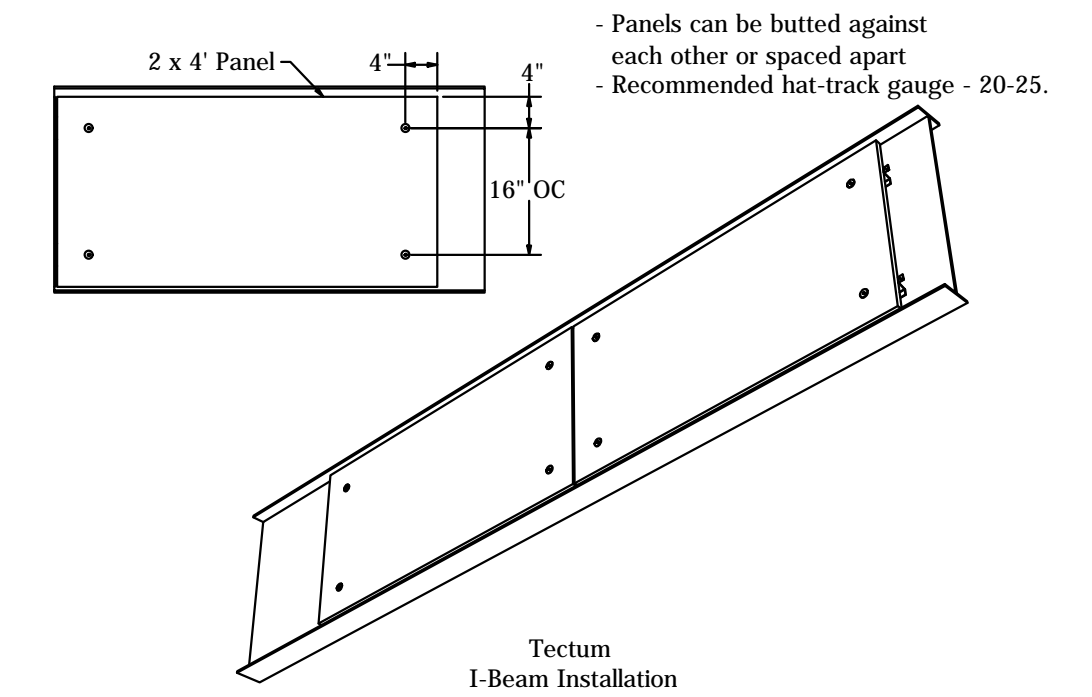
Tectum 1" Thick Direct Attach 24" x 48" Panel - BP8175T10



Tectum 1" Thick Direct Attach 48" x 96" Panel - BP8173T10



Tectum Truss Installation

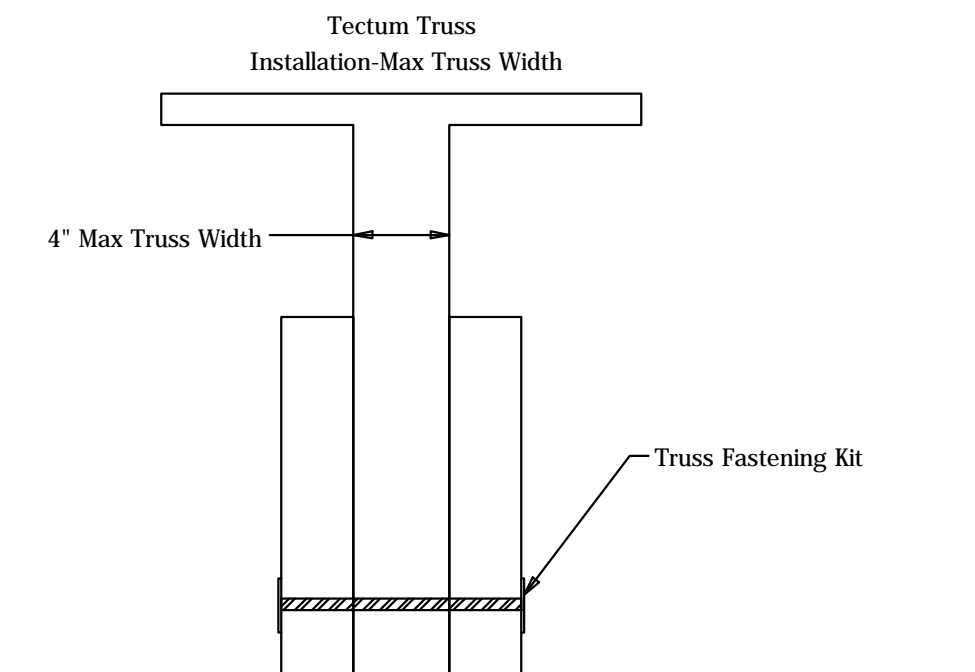


Tectum I-Beam Installation

Truss Fastening Kit Includes:  
- 20 Threaded Rods  
- 40 Weld Nuts

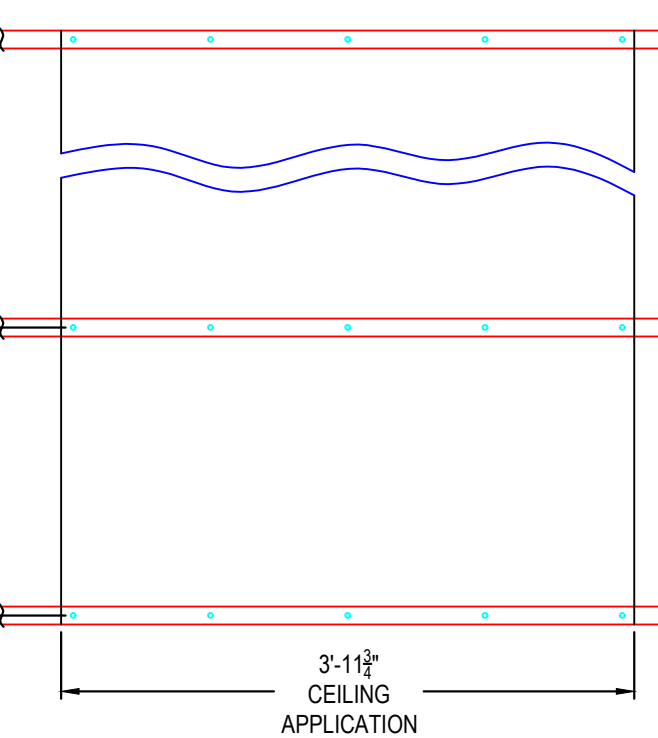
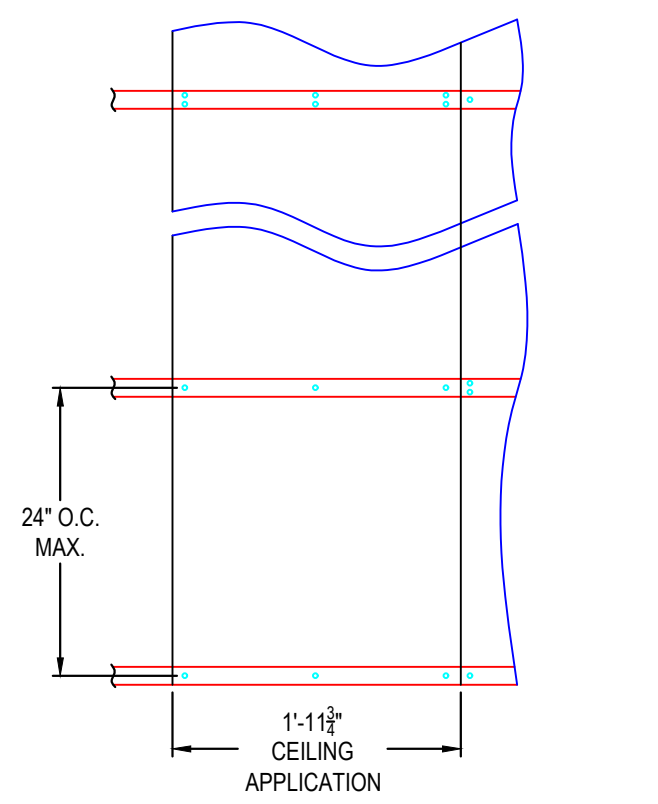
Truss Fastening Kit is available in:  
Field painted - 1222  
White - 1222WH  
Black - 1222BL

Tectum Truss Fastening Kit

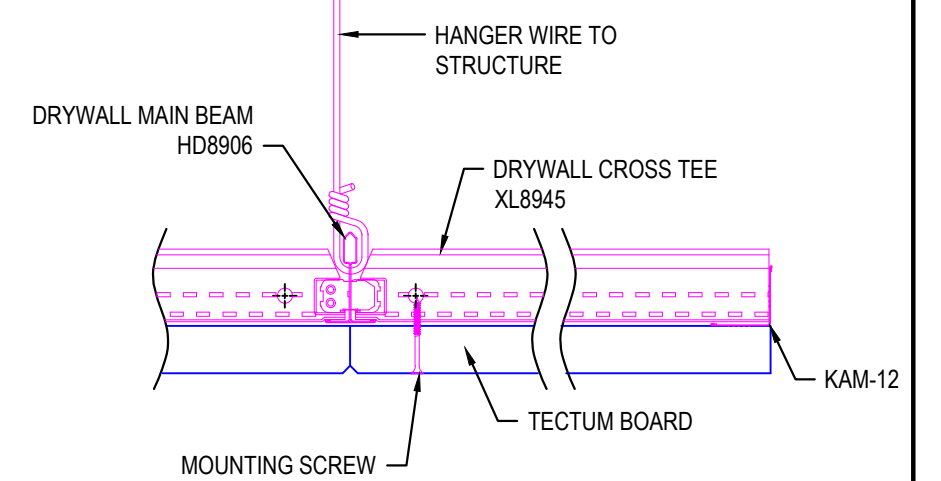
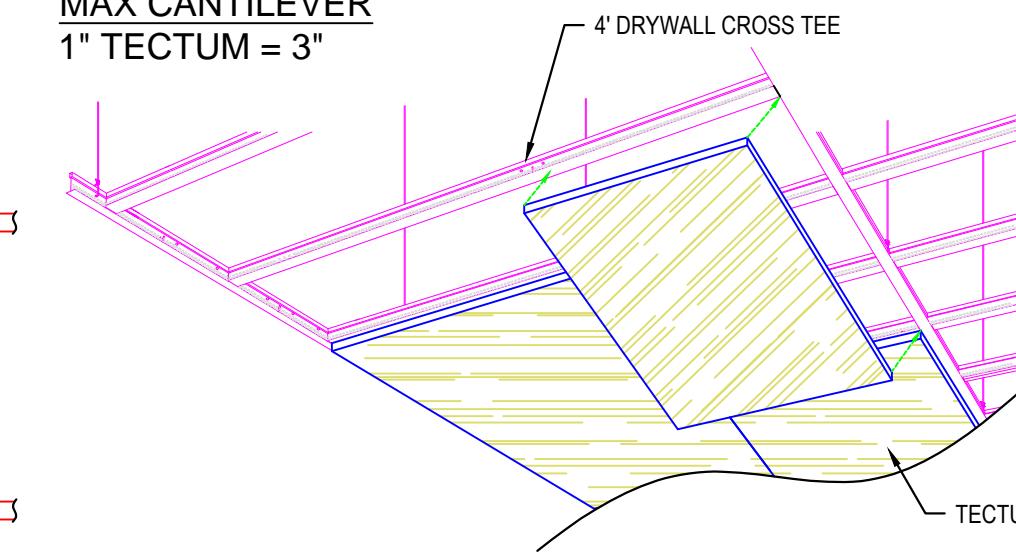


Tectum Truss Installation-Max Truss Width

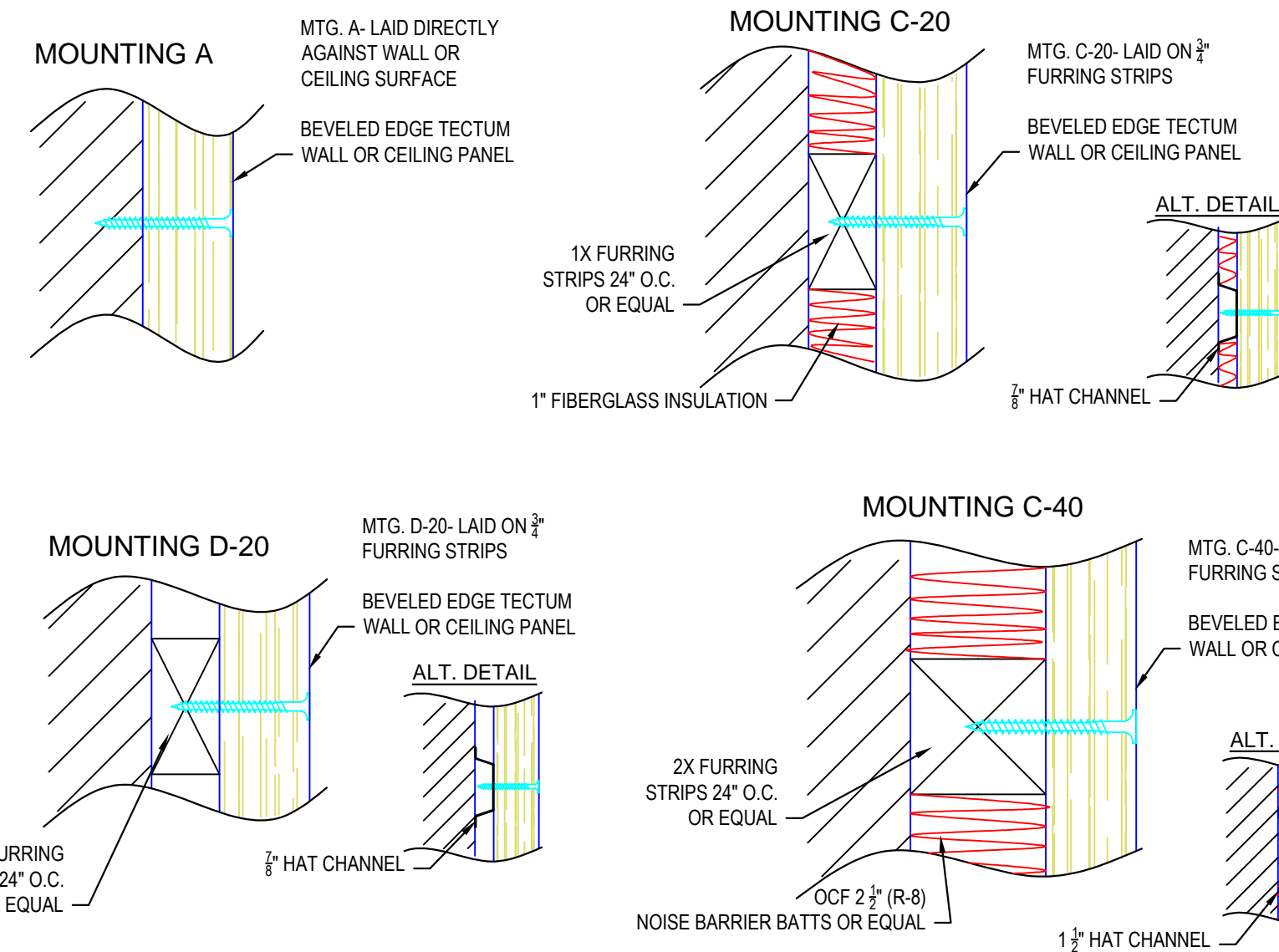
**TYPICAL CEILING ATTACHMENT METHODS**



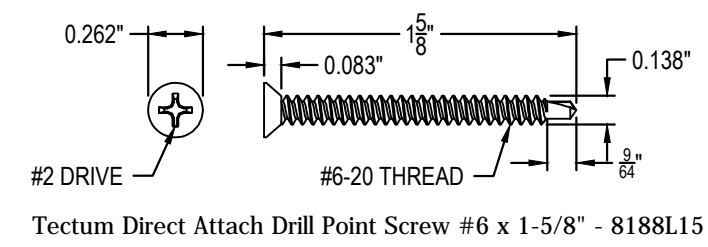
MAX CANTILEVER  
1" TECTUM = 3"



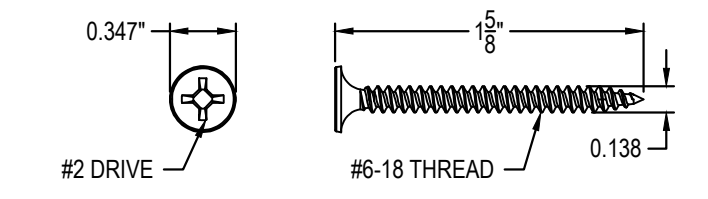
**TYPICAL MOUNTING DETAILS FOR SOUND ABSORPTION**



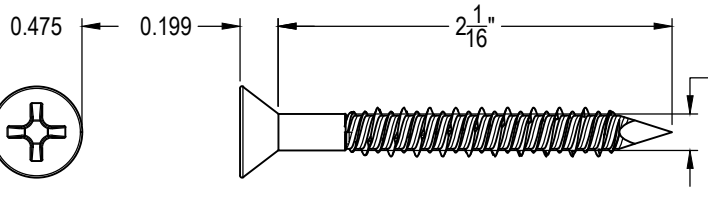
MTG. TYPE	THICKNESS	NRC
A	1"	0.40
A	1 1/2"	0.55
A	2"	0.60
D-20	1"	0.45
D-20	1 1/2"	0.60
D-20	2"	0.70
C-20	1"	0.80
C-20	1 1/2"	0.90
C-20	2"	0.95
C-40	1"	0.85
C-40	1 1/2"	0.95
C-40	2"	1.00



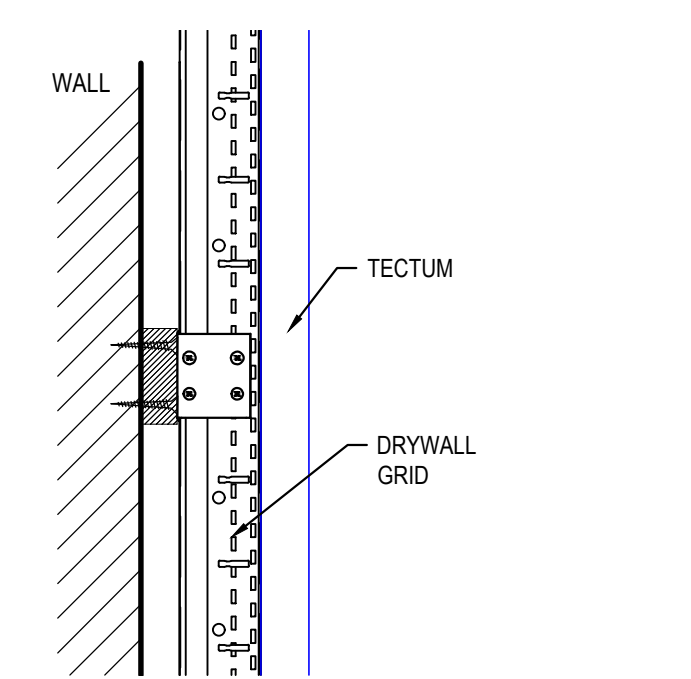
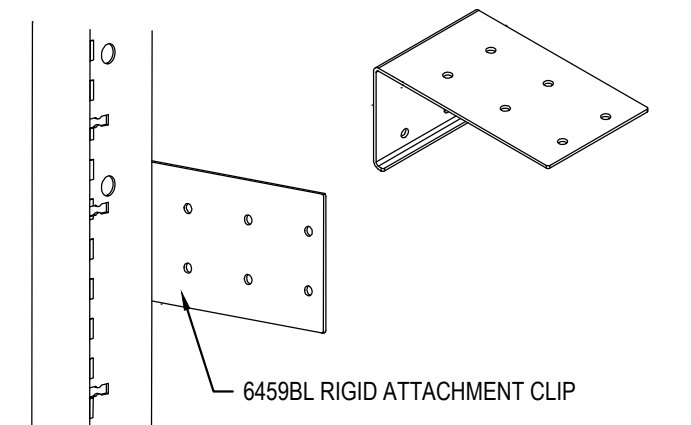
Tectum Direct Attach Drill Point Screw #6 x 1-5/8" - 8188L15



Tectum Direct Attach Sharp Point Screw #6 x 1-5/8" - 8187L15



Tectum Direct Attach CMU Screw 1/4" Dia. x 2 1/4" - 8189L22



INSTALL PANELS WITH TECTUM PAINTED HEAD SCREWS.

These drawings show typical conditions in which the Armstrong® product depicted is installed. They are not a substitute for an architect's or engineer's plan and do not reflect the unique requirements of local building codes, laws, statutes, ordinances, rules and regulations (Legal Requirements) that may be applicable for a particular installation.

Armstrong Ceiling Solutions does not warrant, and assumes no liability for the accuracy or completeness of, the drawings for a particular installation or their fitness for a particular purpose. The user is advised to consult with a duly licensed architect or engineer in the particular locale of the installation to insure compliance with all legal requirements. Armstrong is not licensed to provide professional architecture or engineering design services.

PROJECT NAME: TECTUM MASTER SHEET STANDARD DIRECT ATTACH PANELS		REV: .	DATE: .
DWG. NO. SHEET 1	DATE: 10/29/18	SCALE: .	DESC: .
DRAWN BY: MAP	CHK BY: .		

TechLine ARMSTRONG CEILING SOLUTIONS \* Lancaster, PA \* Phone: 877-ARMSTRONG