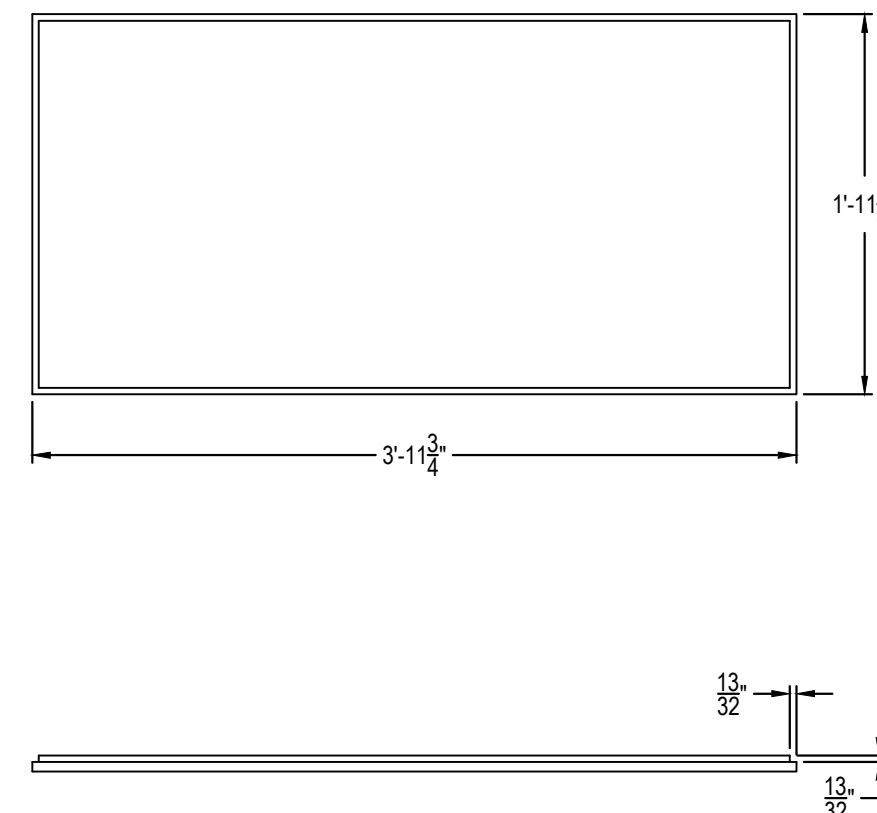
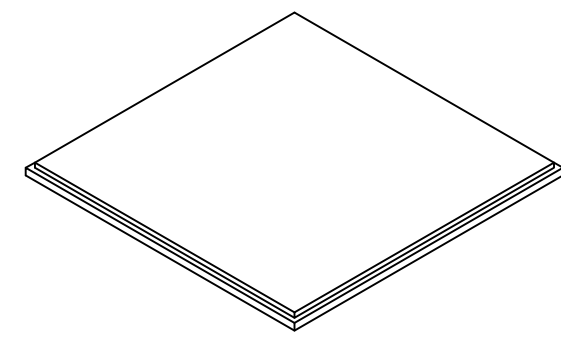
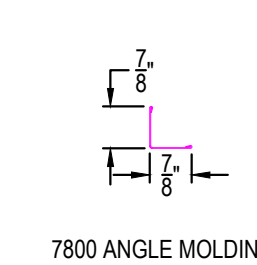
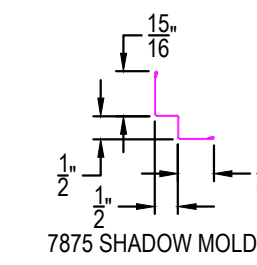
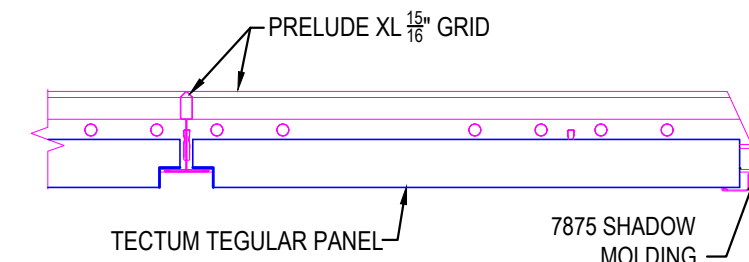
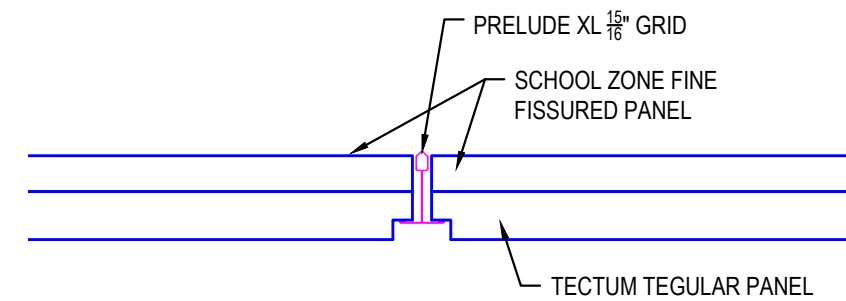
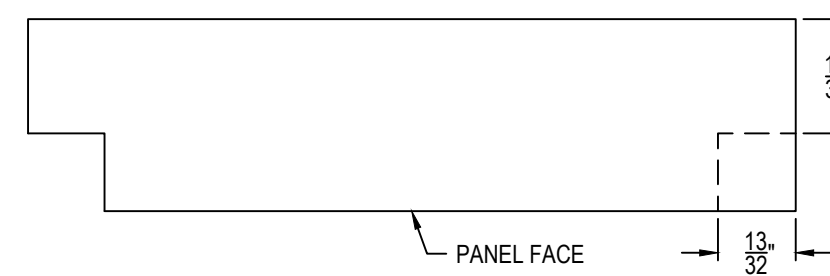
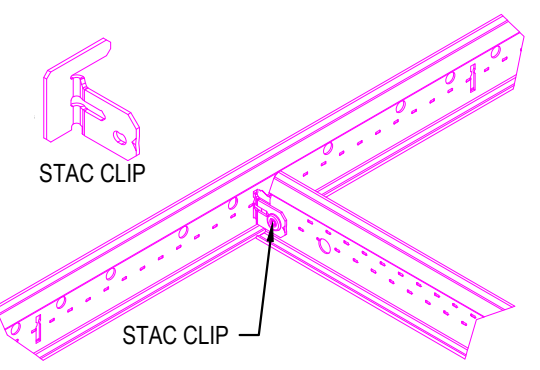
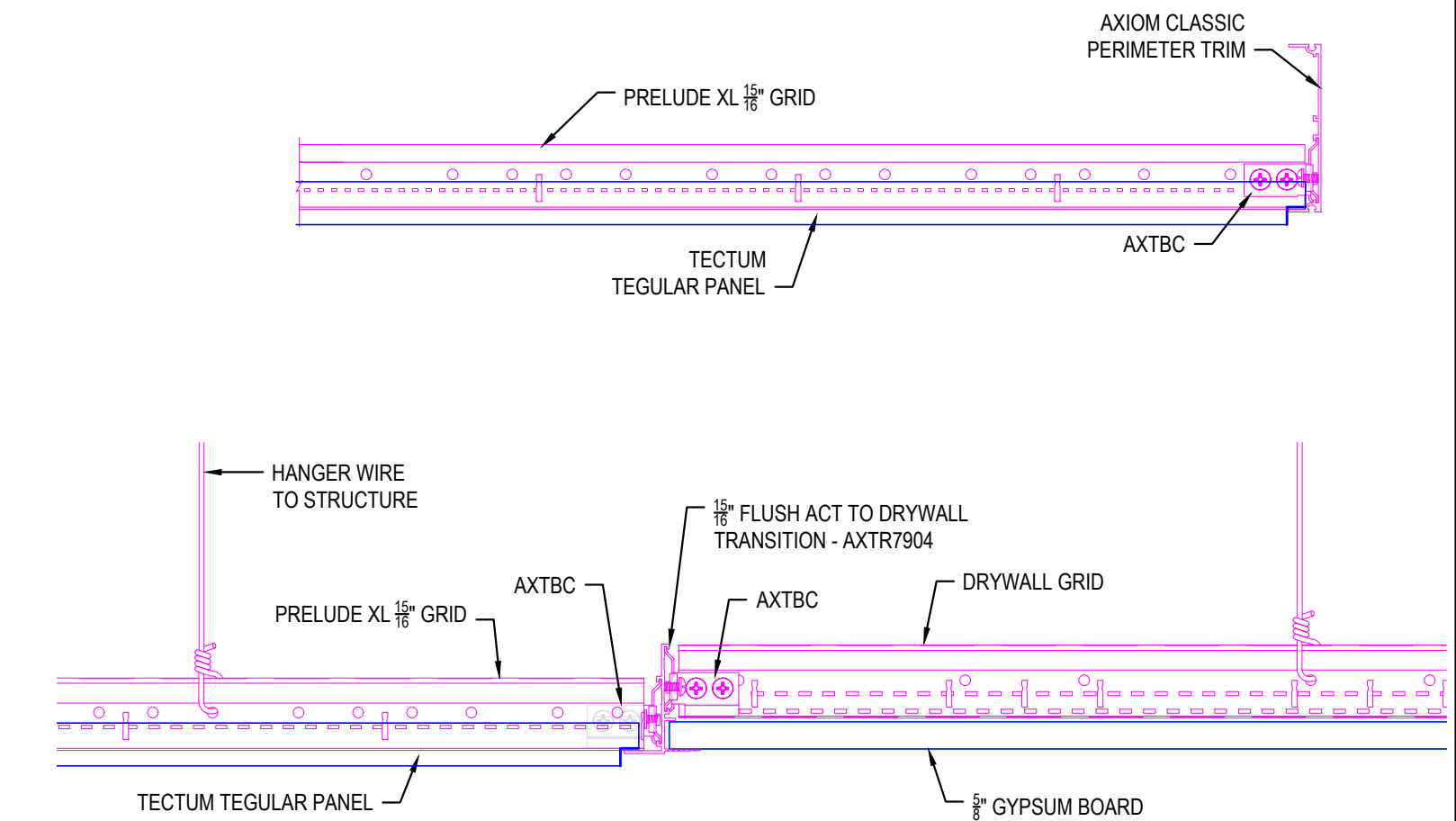
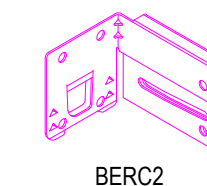
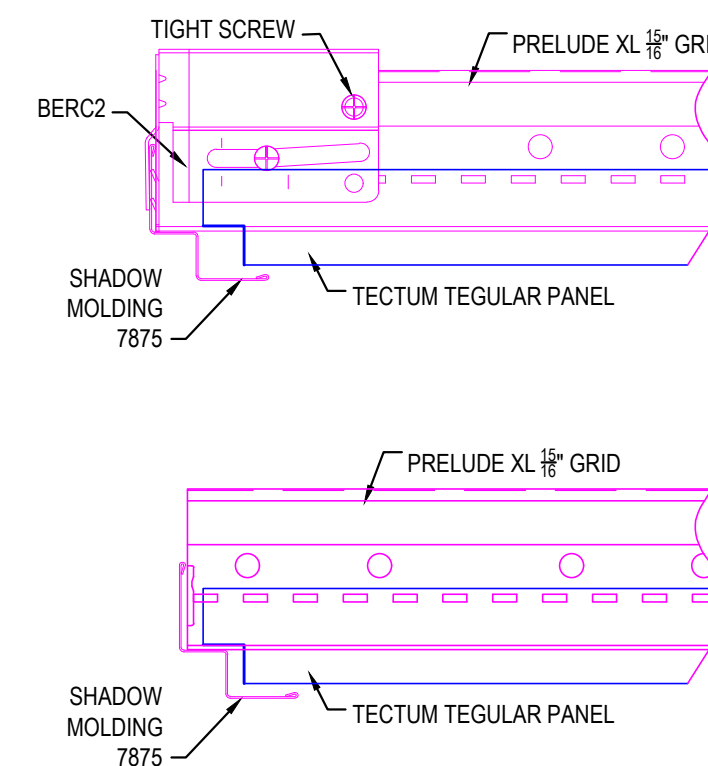
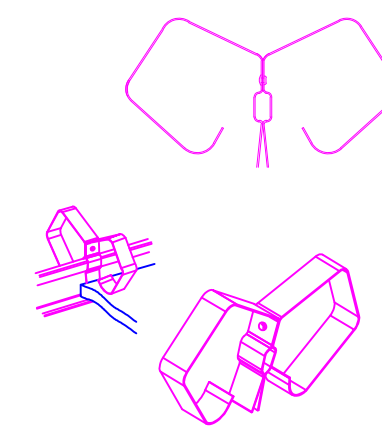
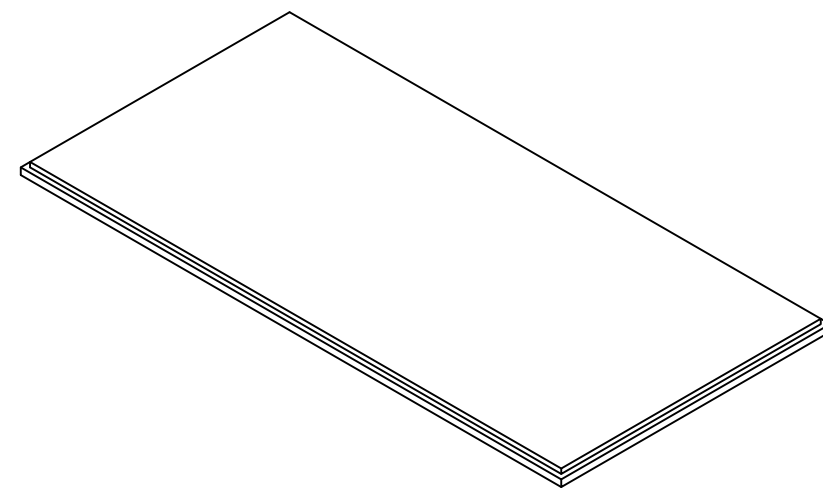


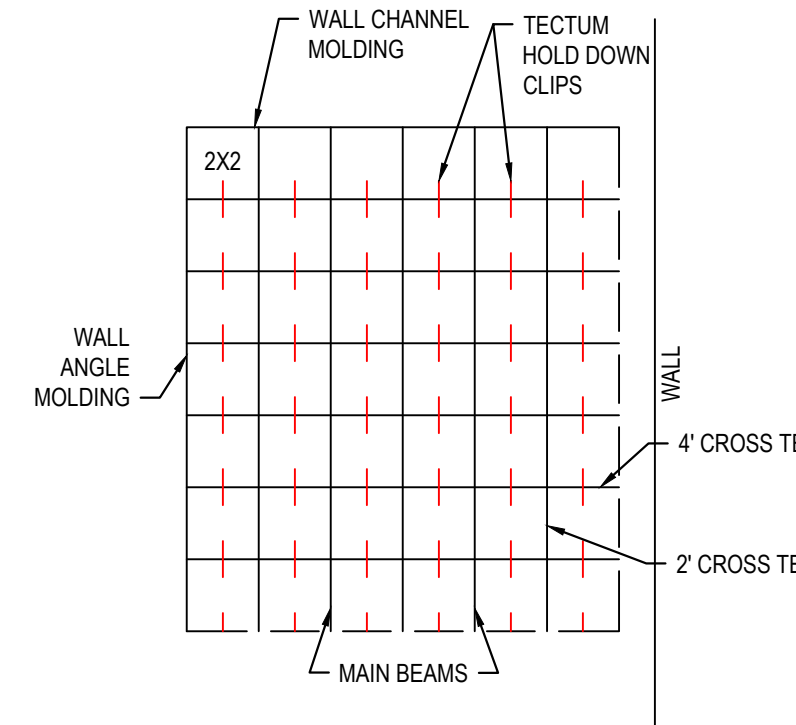
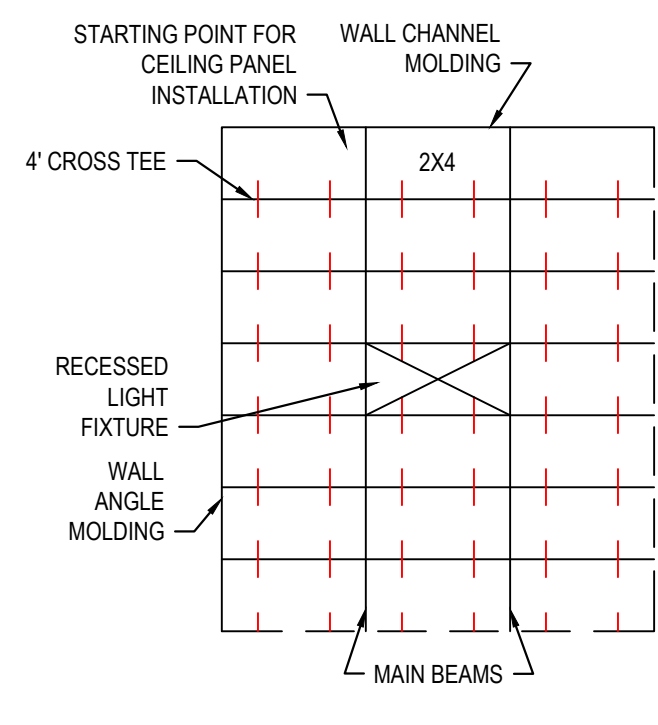
Tectum 1" Thick Tegular 24" x 24" Panel - BP8186T10



Tectum 1" Thick Tegular 24" x 48" Panel - BP8185T10

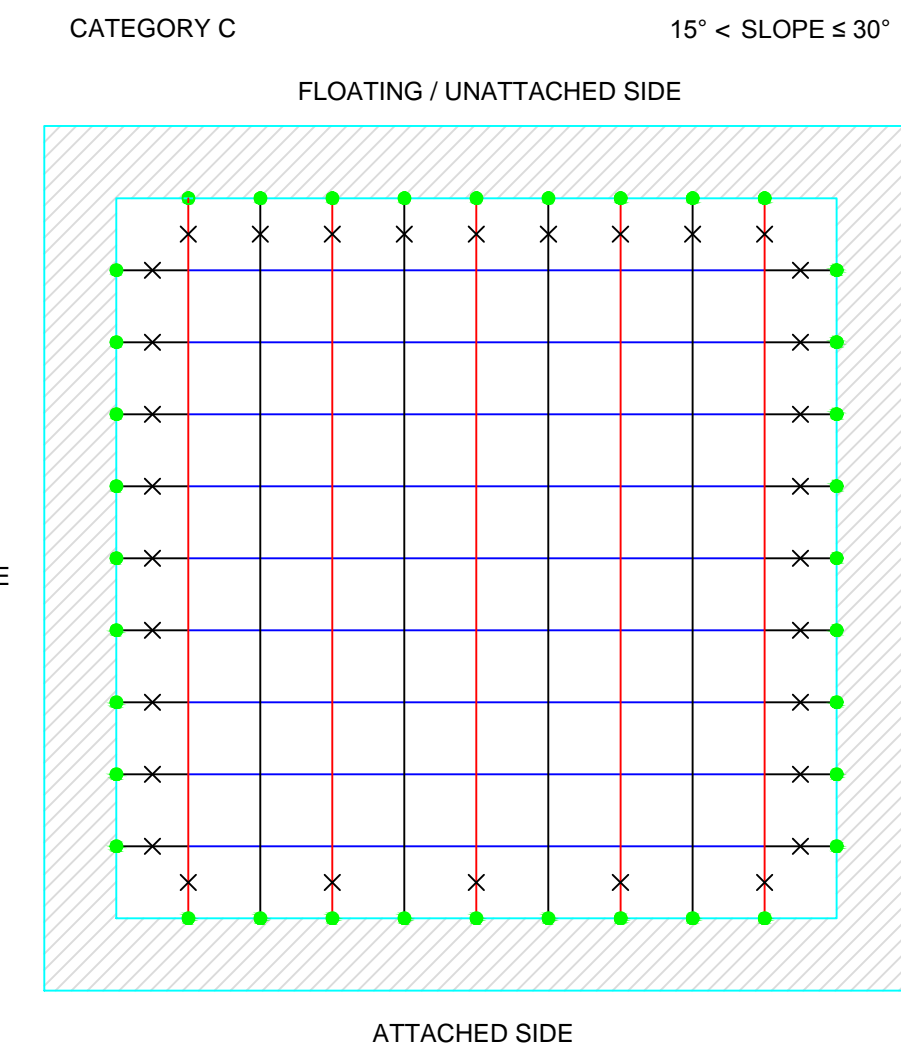
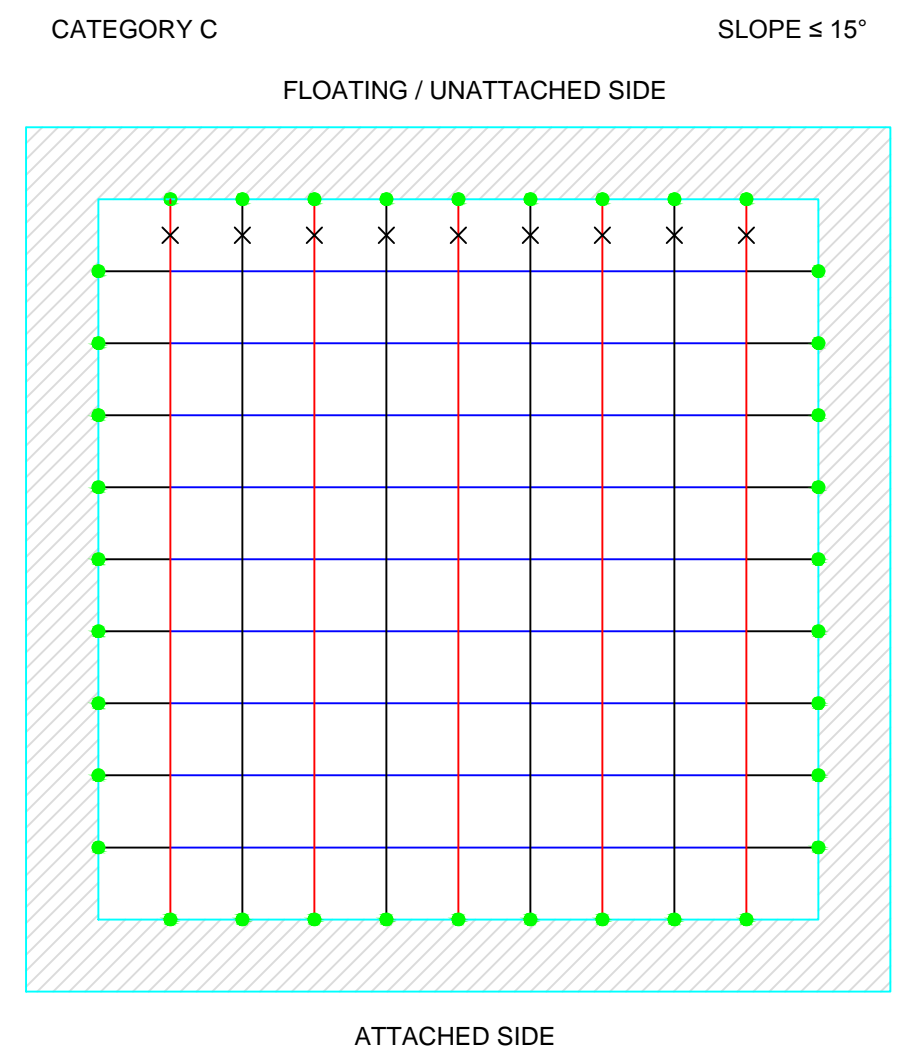


**TECTUM ACOUSTI-TOUGH CEILING SYSTEM**  
2' x 4' GRID      2' x 2' GRID



- 2' CROSS TEE
- 4' CROSS TEE
- MAIN BEAM
- BERC2 CLIP
- × PMHDC

- 2' CROSS TEE
- 4' CROSS TEE
- MAIN BEAM
- BERC2 CLIP
- × PMHDC



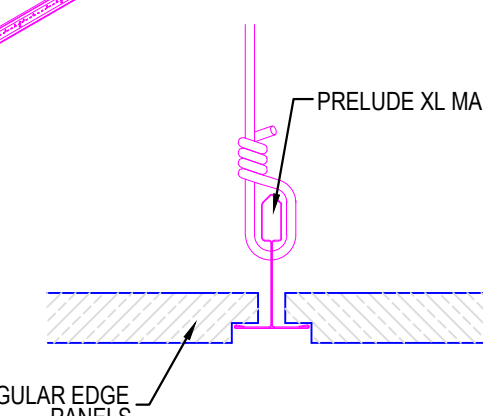
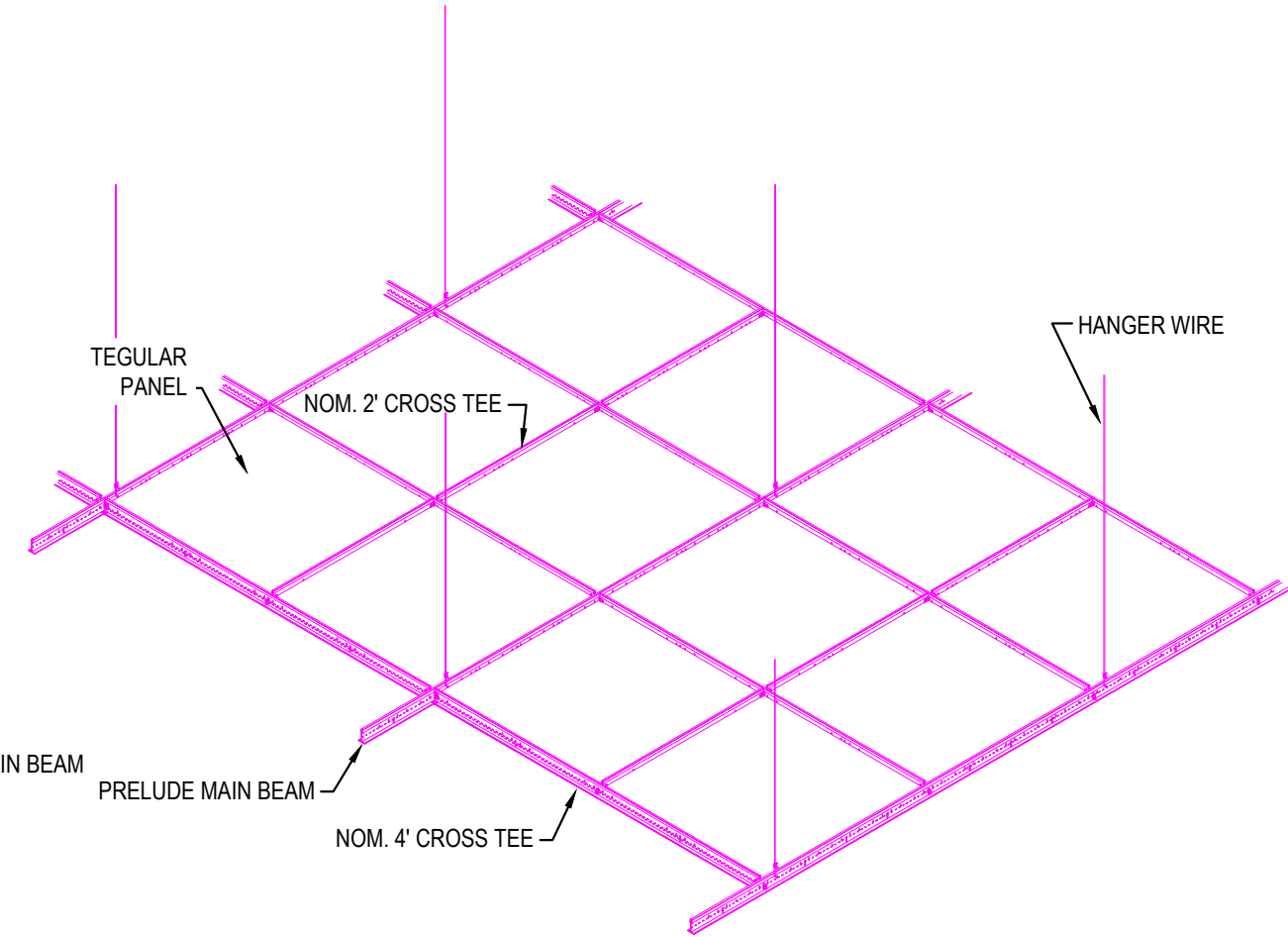
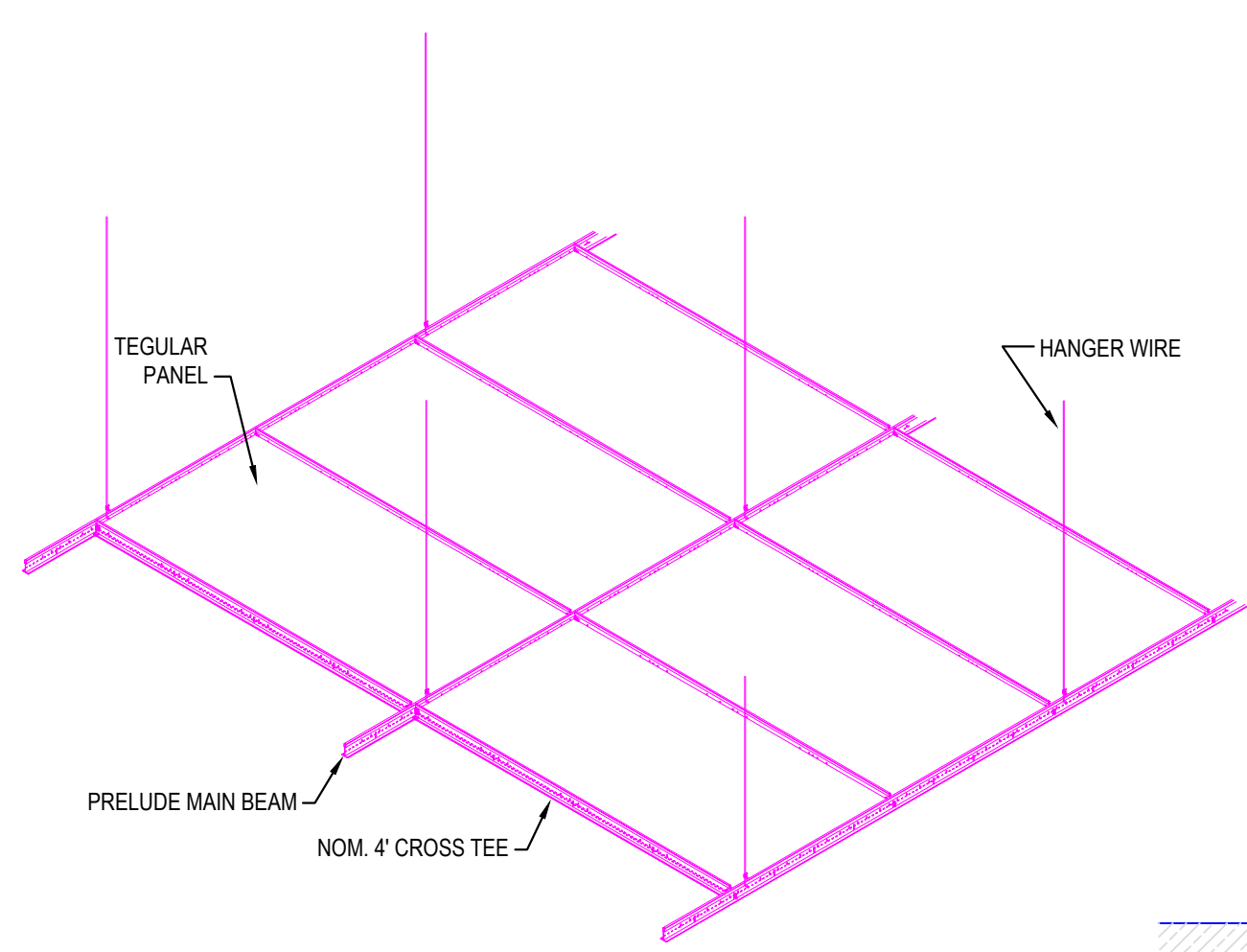
HIGH SLOPE  
↓  
LOW SLOPE

HIGH SLOPE  
↓  
LOW SLOPE

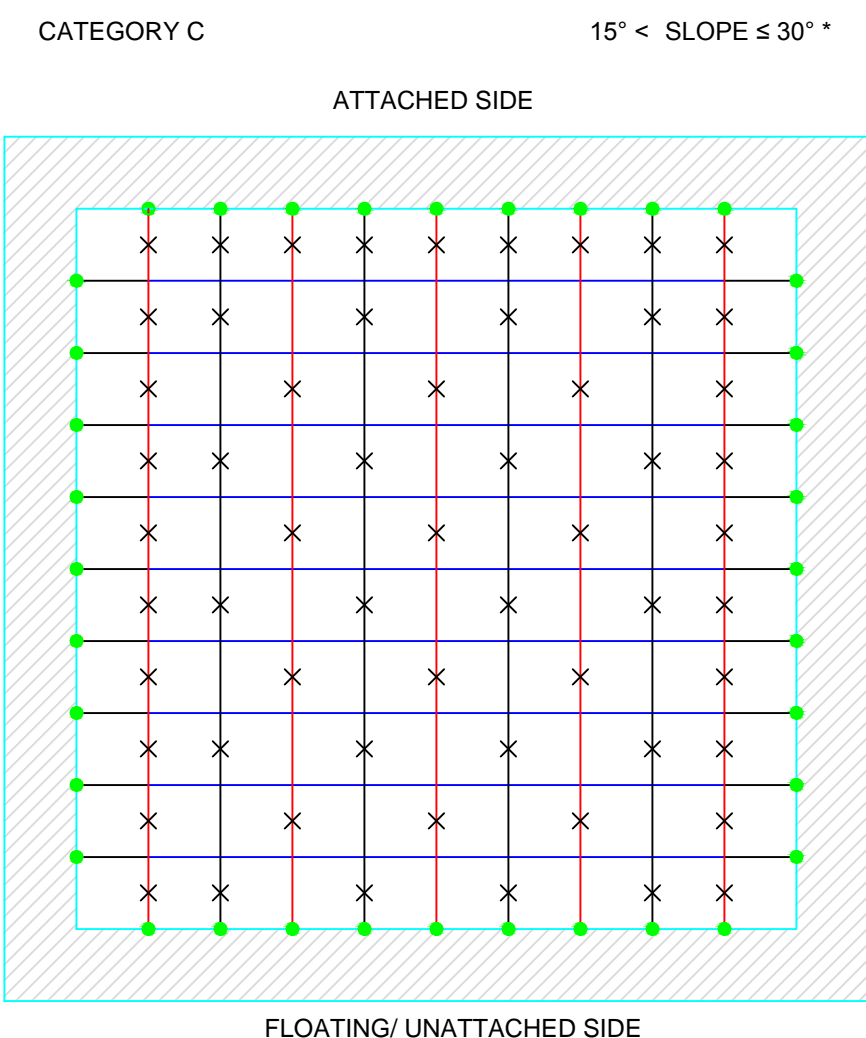
MAINS SHOULD RUN PARALLEL TO THE SLOPE.

MAINS SHOULD RUN PARALLEL TO THE SLOPE.

\*HEAVY DUTY GRID MUST BE USED.



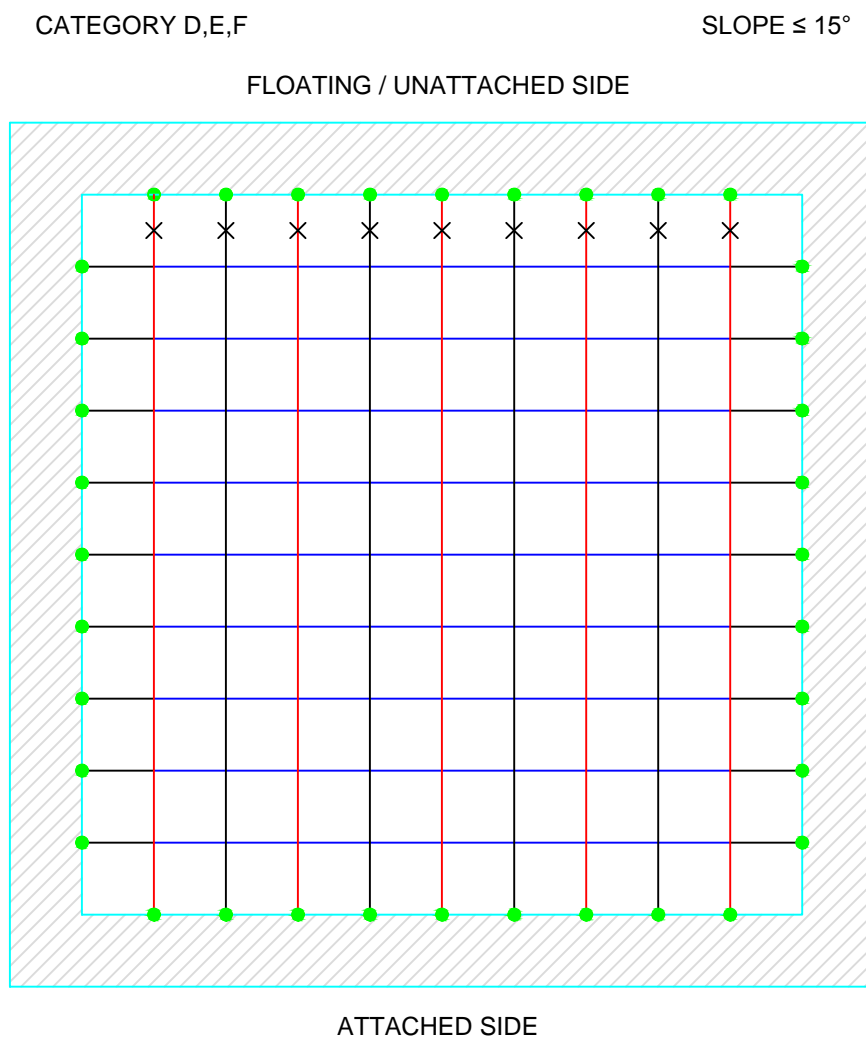
- 2' CROSS TEE
- 4' CROSS TEE
- MAIN BEAM
- BERC2 CLIP
- × PMHDC



HIGH SLOPE  
↓  
LOW SLOPE

\* MUST USE HEAVY DUTY GRID TO ACHIEVE MAXIMUM SLOPE OF 30° IF USING INTERMEDIATE DUTY GRID, MAXIMUM SLOPE IS 25°.

- 2' CROSS TEE
- 4' CROSS TEE
- MAIN BEAM
- BERC2 CLIP
- × PMHDC



HIGH SLOPE  
↓  
LOW SLOPE

MAINS SHOULD RUN PARALLEL TO THE SLOPE.

These drawings show typical conditions in which the Armstrong product depicted is installed. They are not a substitute for an architect's or engineer's plan and do not reflect the unique requirements of local building codes, laws, statutes, ordinances, rules and regulations (Legal Requirements) that may be applicable for a particular installation.

Armstrong Ceiling Solutions does not warrant, and assumes no liability for the accuracy or completeness of the drawings for a particular installation or their fitness for a particular purpose. The user is advised to consult with a duly licensed architect or engineer in the particular locale of the installation to ensure compliance with all Legal Requirements. Armstrong is not licensed to provide professional architecture or engineering design services.

PROJECT NAME: TECTUM MASTER SHEET STANDARD TEGULAR CEILING PANELS		REV: .	DATE: .
DWG. NO. SHEET 1	SCALE:	DESC: .	
DATE: 5/15/17	DRAWN BY: MAP	CHK BY:	

**TechLine**      ARMSTRONG CEILING SOLUTIONS \* Lancaster, PA \* Phone: 877-ARMSTRONG      **Armstrong**  
CEILING SOLUTIONS