

These drawings show typical conditions in which the Armstrong product depicted is installed. They are not a substitute for an architect or engineer's plan and do not reflect the unique requirements of local building codes, laws, ordinances, rules and regulations (Legal Requirements) that may be applicable for a particular installation.

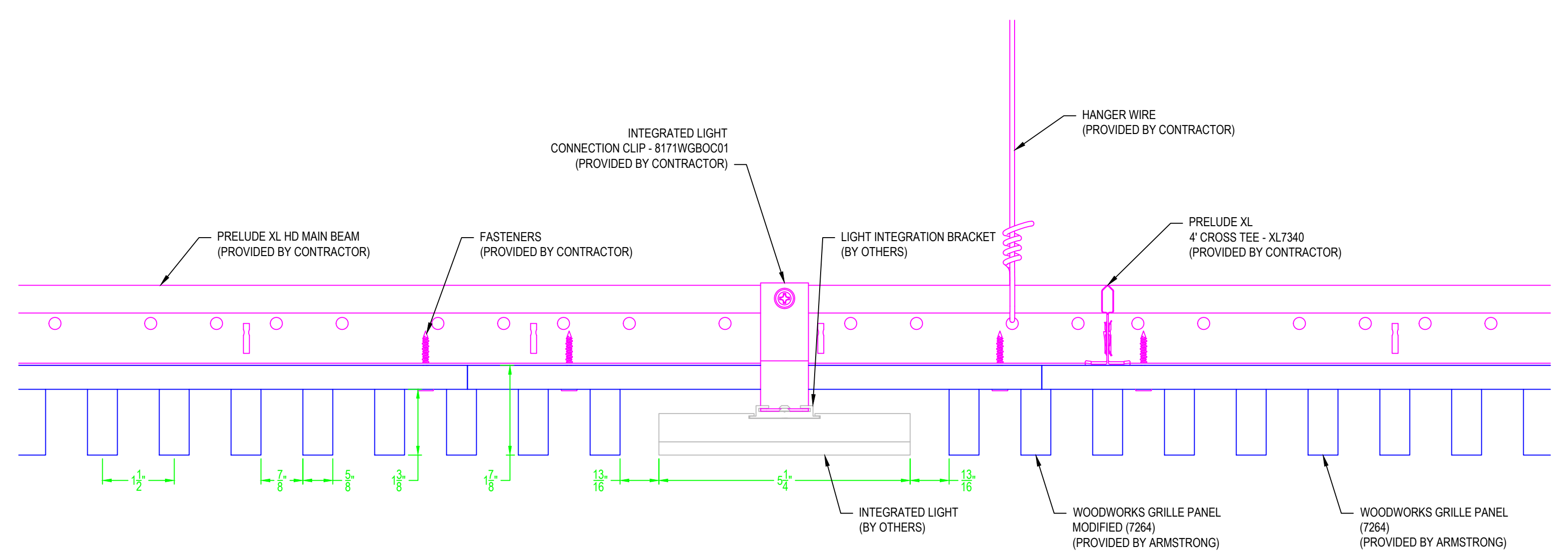
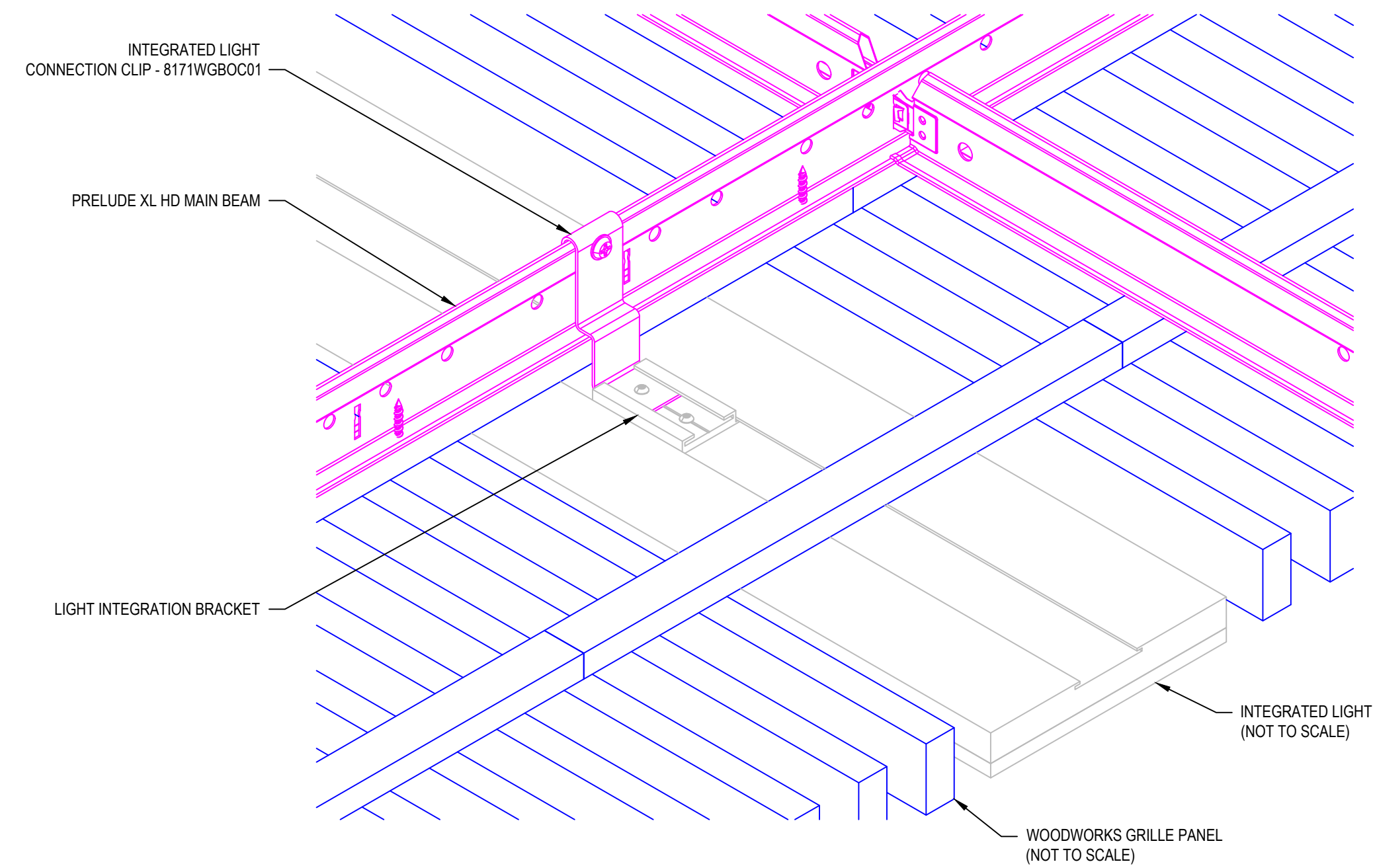
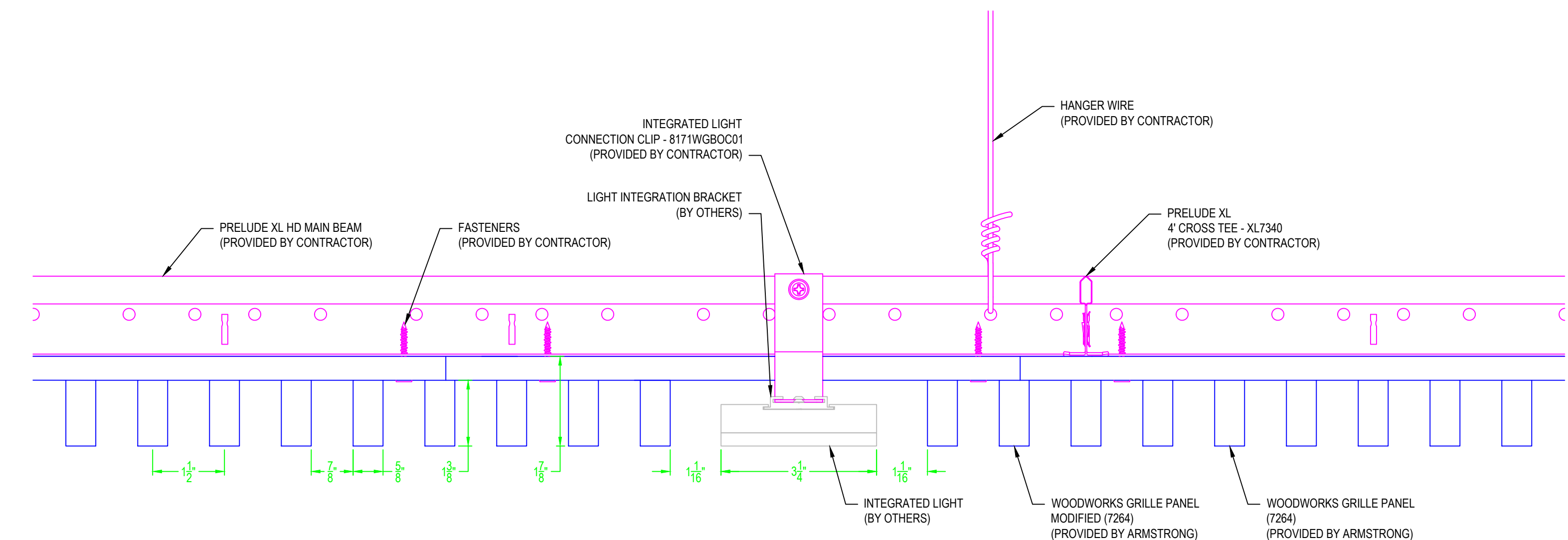
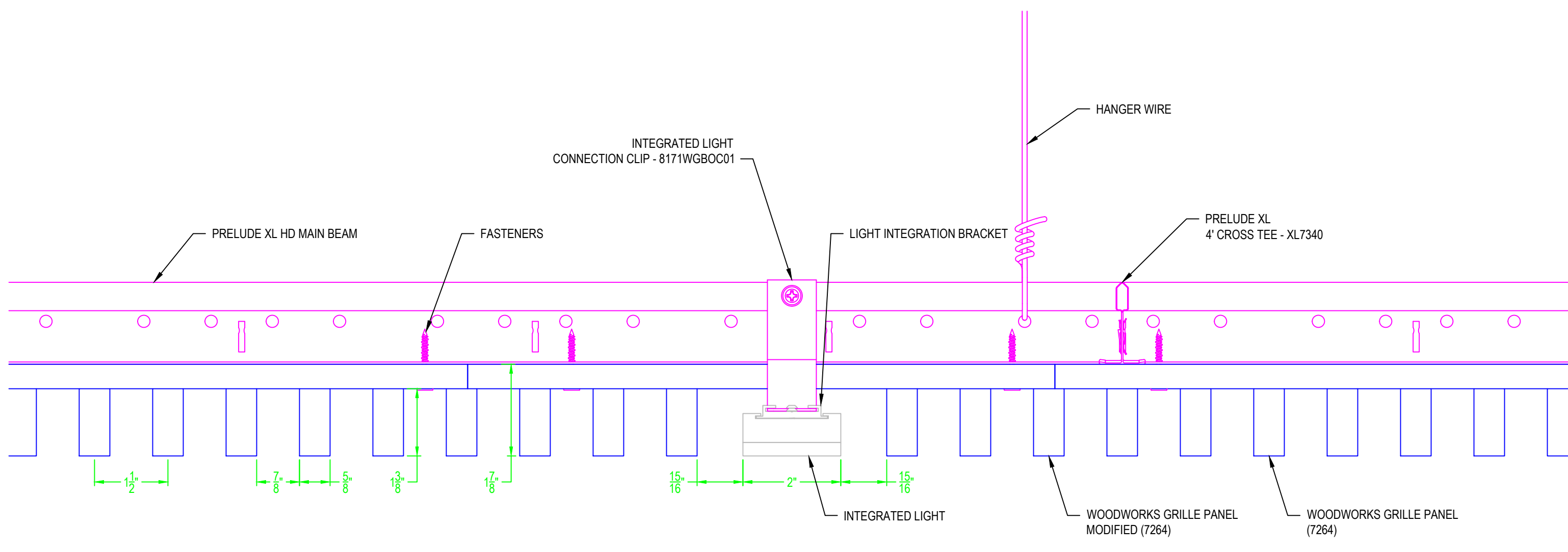
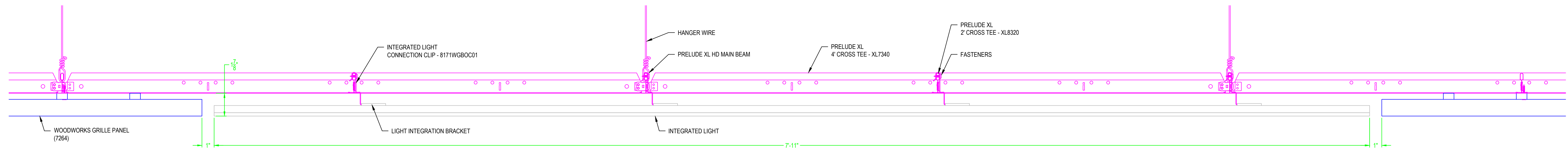
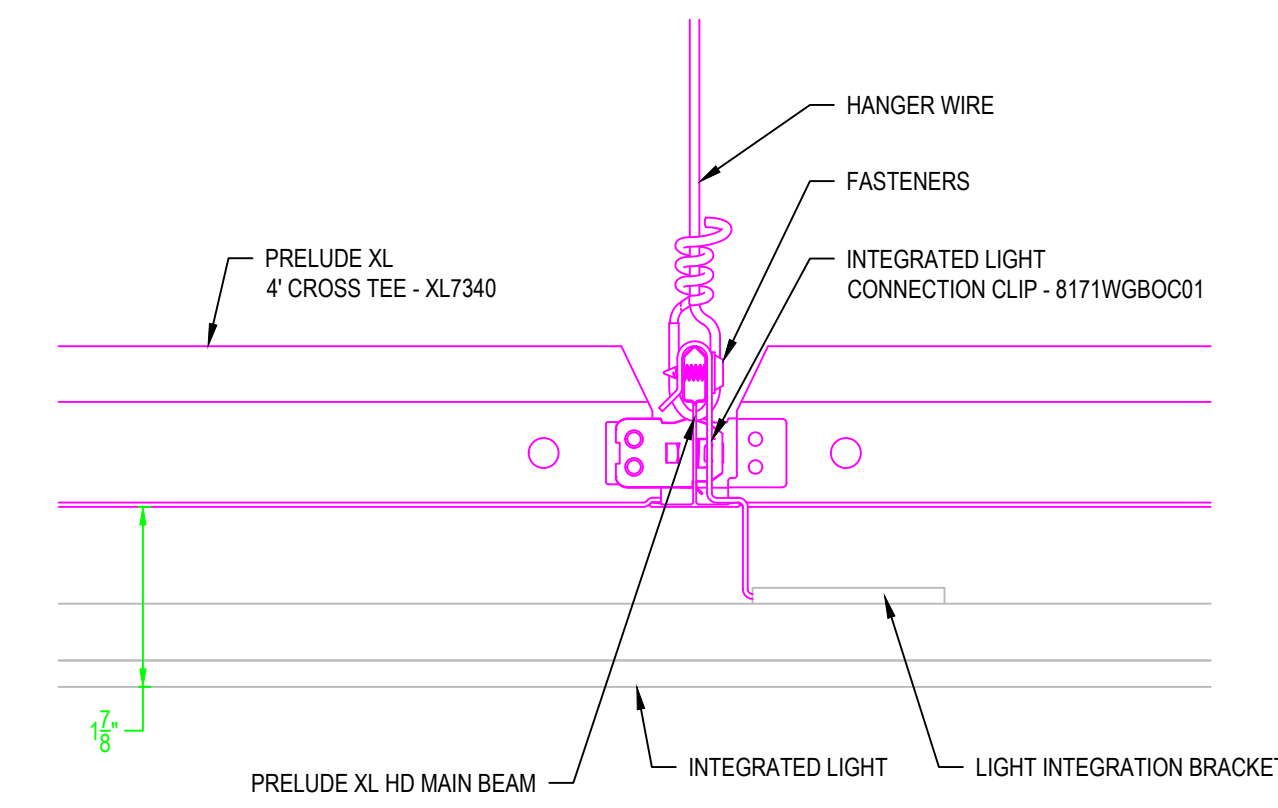
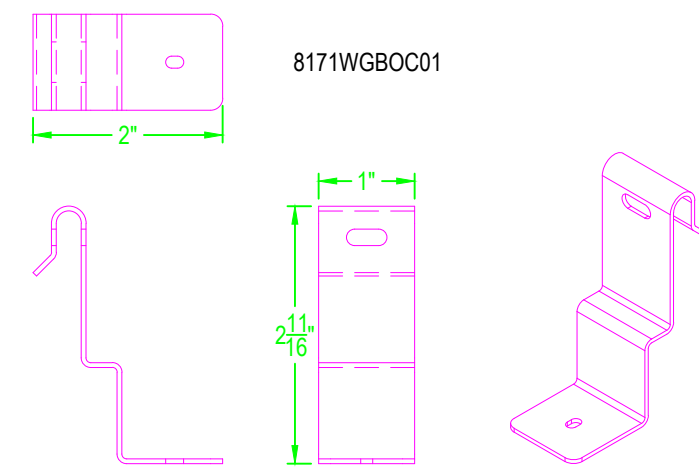
Armstrong does not warrant, and assumes no liability for the accuracy or completeness of the drawings for a particular installation or their fitness for a particular purpose. The user is advised to consult with a duly licensed architect or engineer in the particular locale of the installation to assure compliance with all Legal Requirements.

Armstrong is not licensed to provide professional architecture or engineering design services.

you inspire
solutions center

ARMSTRONG CEILING SYSTEMS * ARMSTRONG WORLD INDUSTRIES, INC. * Lancaster, PA * Phone: 877-ARMSTRONG

PROJECT NAME: WOODWORKS GRILLE PANELS INTEGRATED LIGHT MASTER SHEET		REV: .	DATE: .
DWG. NO. WOODWORKS GRILLE - 7263	SCALE:	DESC: .	
DATE: 09-19-19	DRAWN BY: MJT	CHK BY: DMH	



These drawings show typical conditions in which the Armstrong product depicted is installed. They are not a substitute for an architect or engineer's plan and do not reflect the unique requirements of local building codes, laws, ordinances, rules and regulations (Legal Requirements) that may be applicable for a particular installation.

Armstrong does not warrant, and assumes no liability for the accuracy or completeness of the drawings for a particular installation or their fitness for a particular purpose. The user is advised to consult with a duly licensed architect or engineer in the particular locale of the installation to assure compliance with all Legal Requirements.

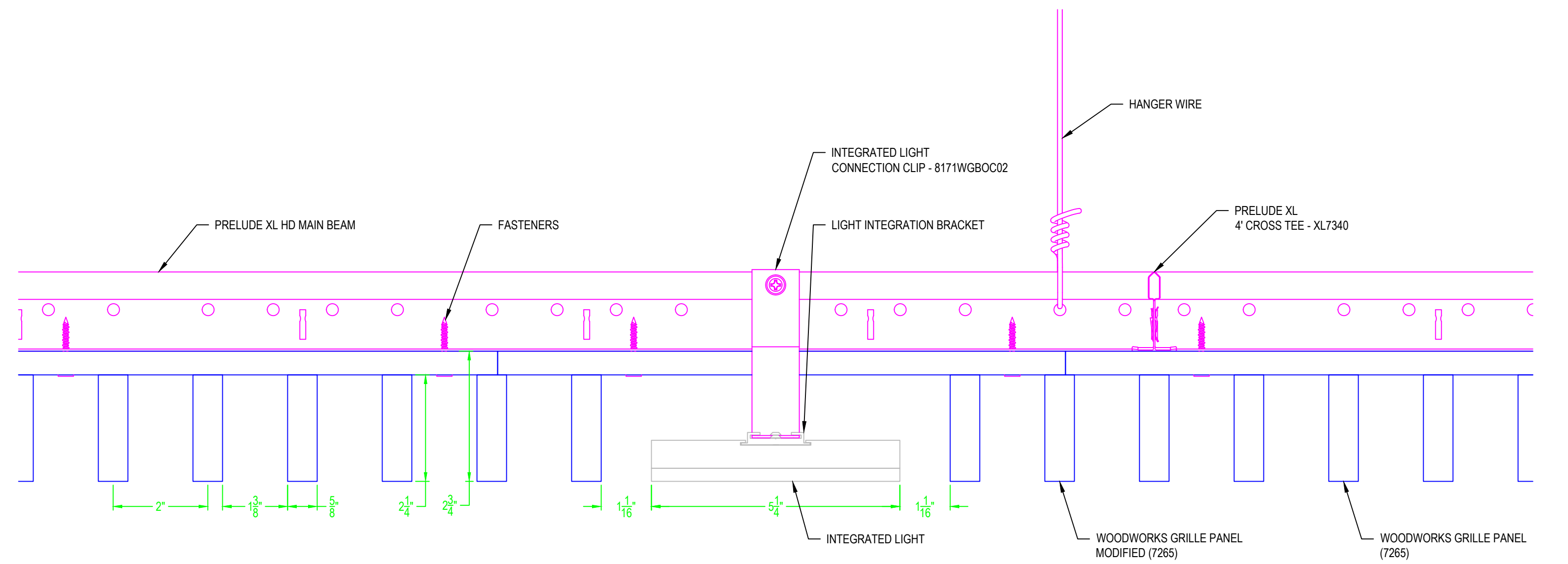
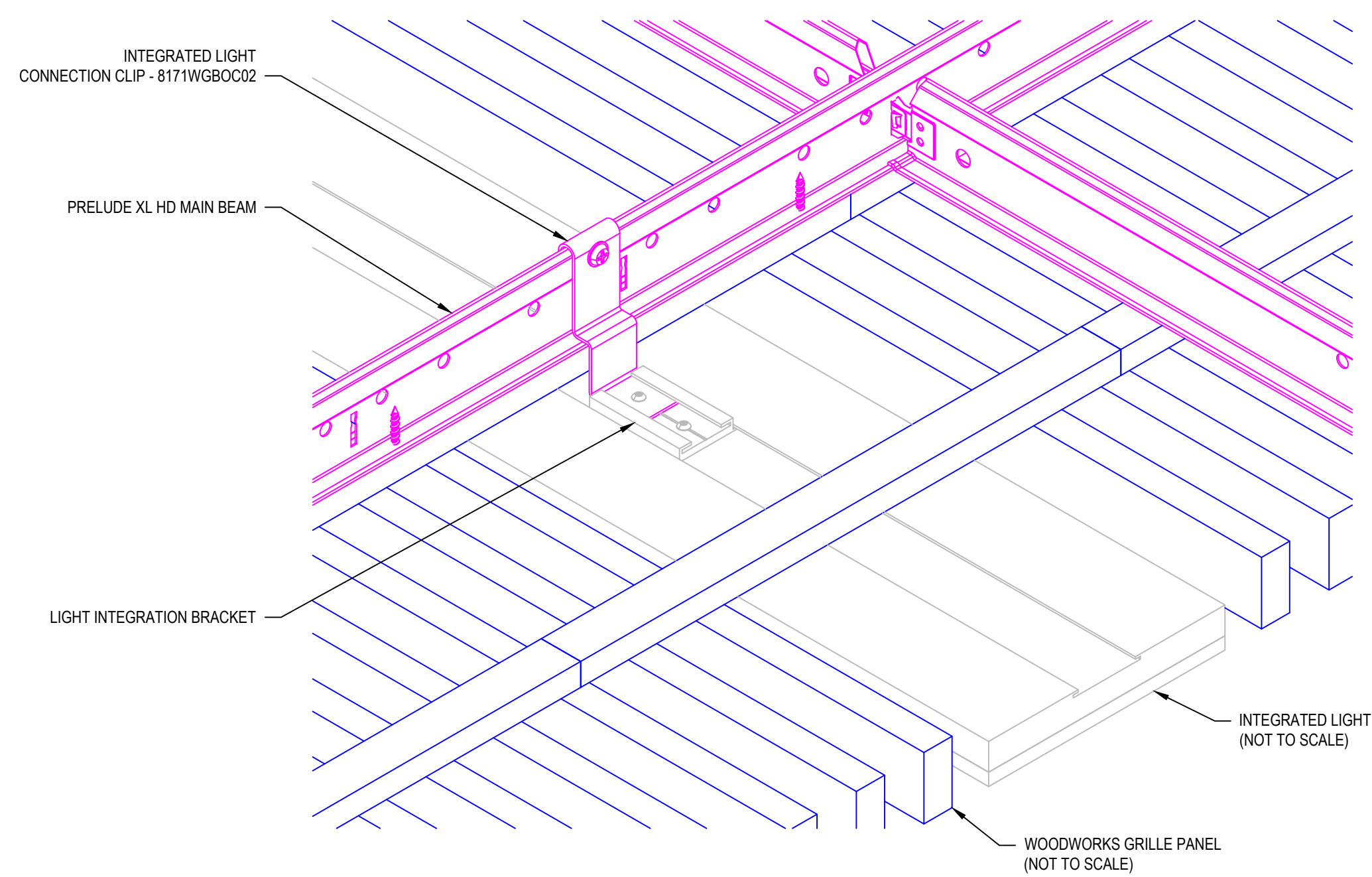
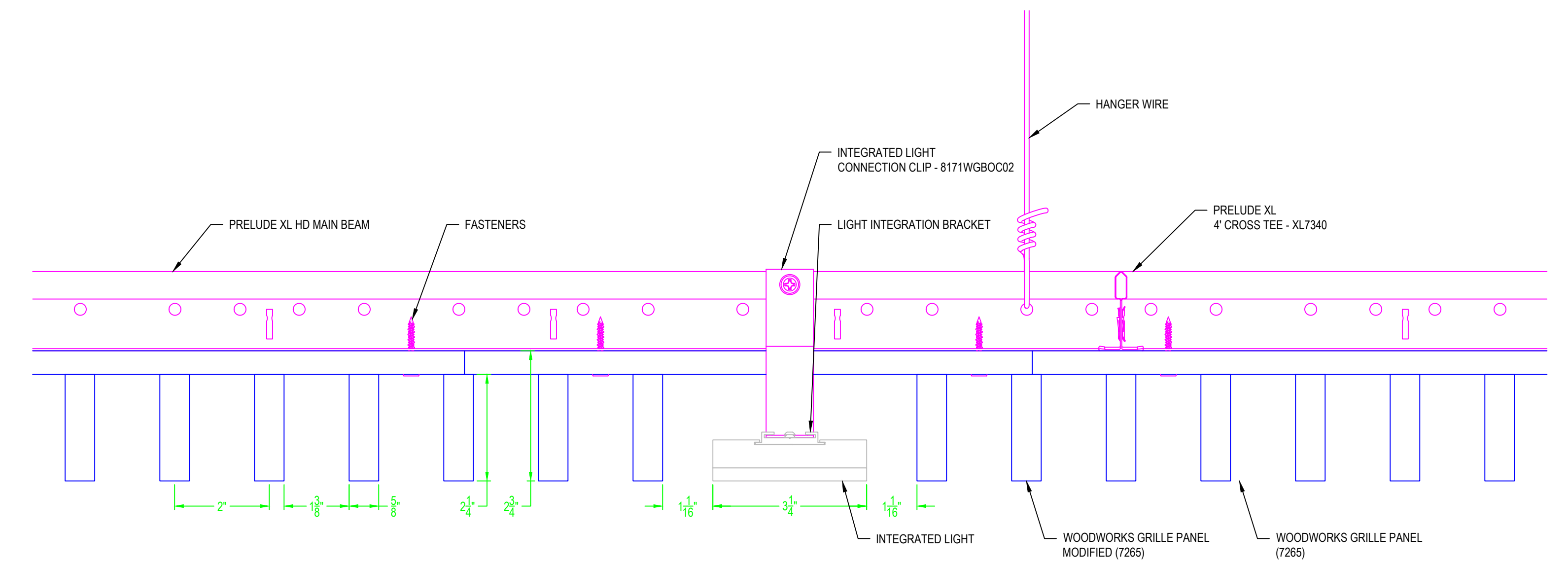
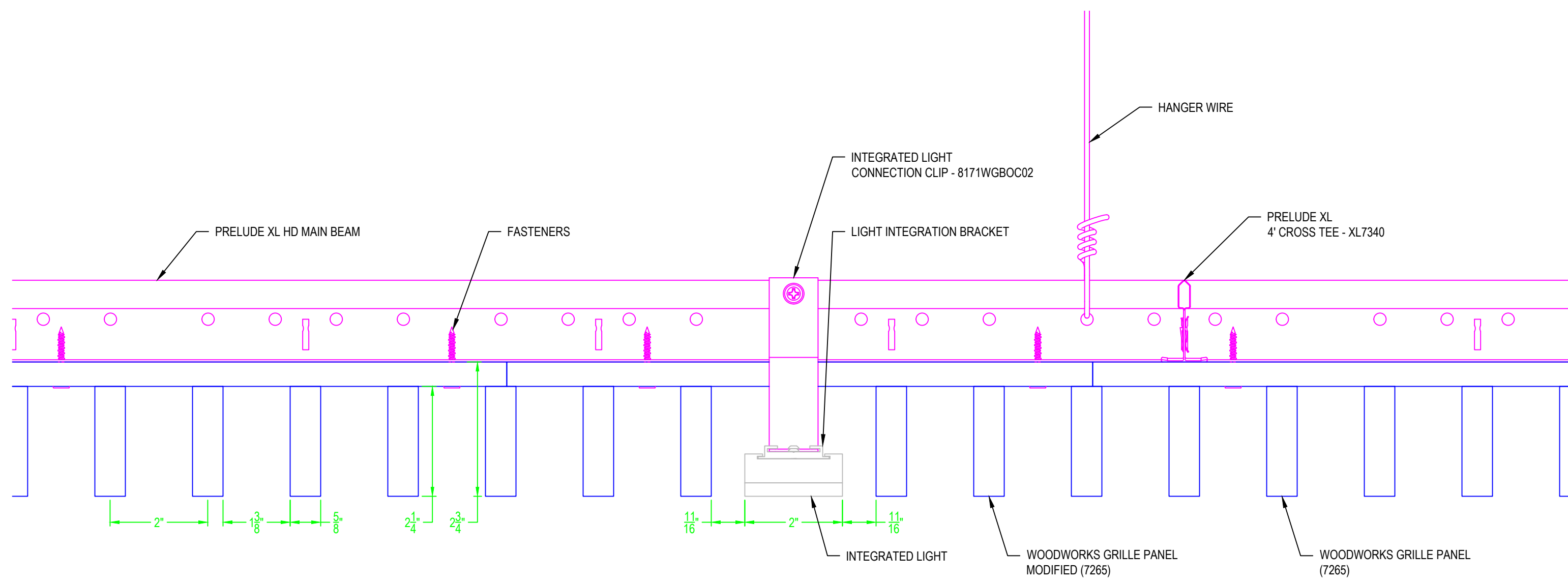
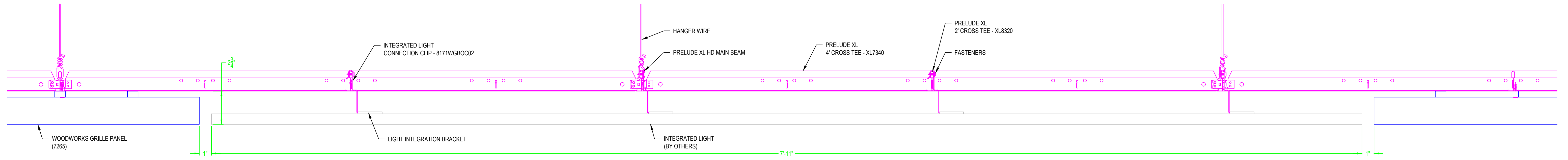
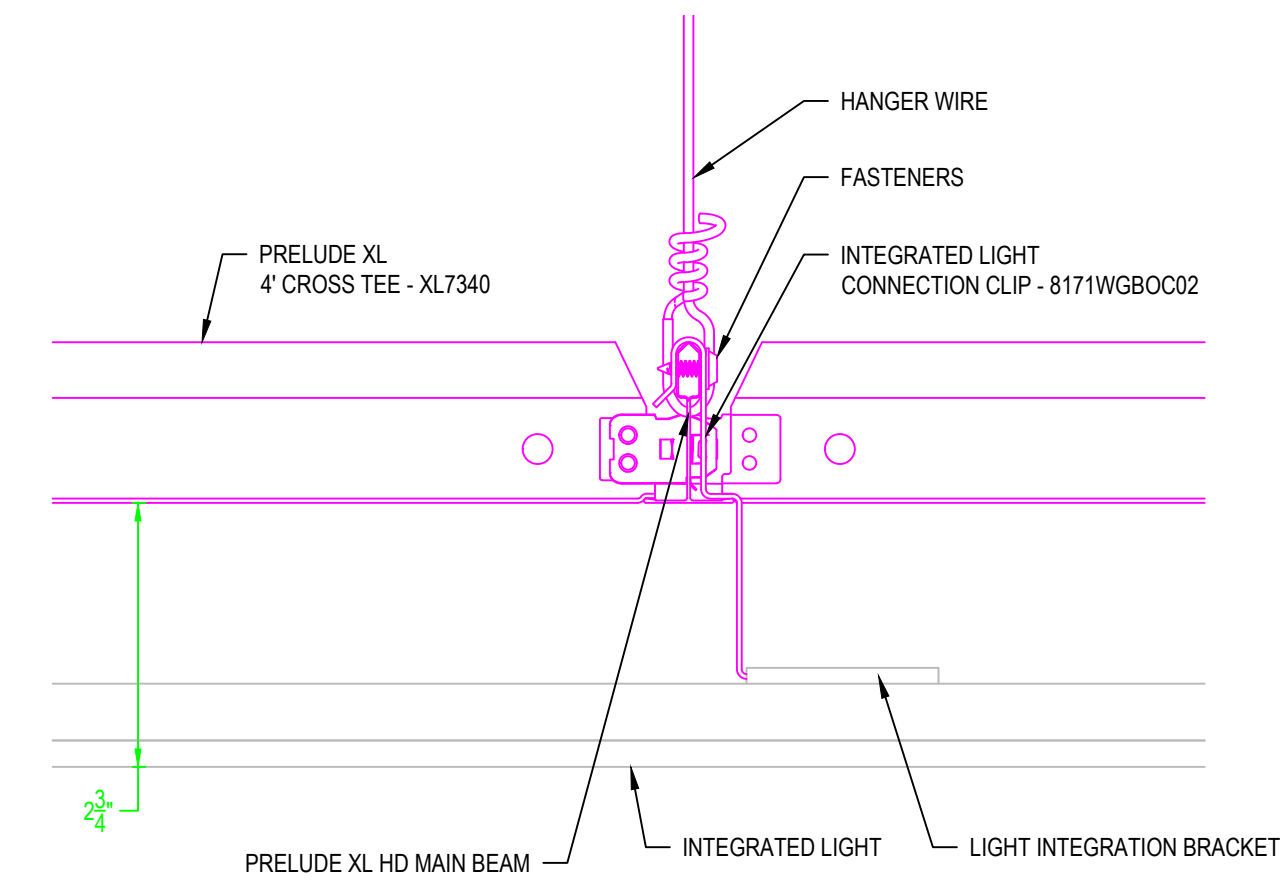
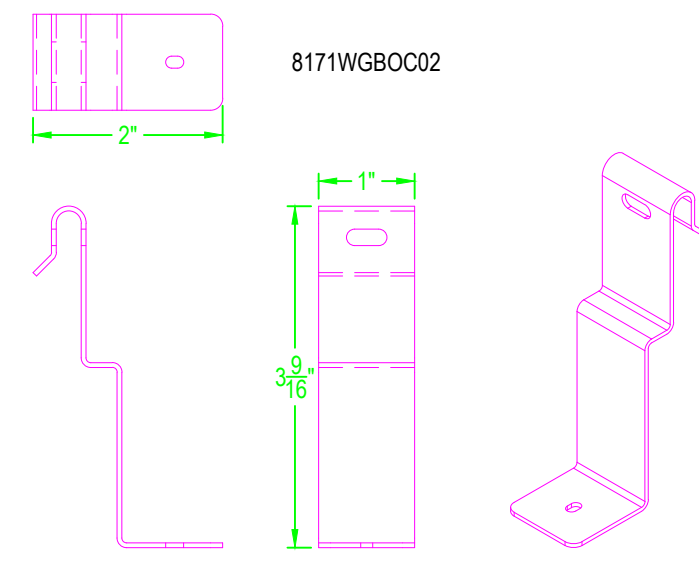
Armstrong is not licensed to provide professional architecture or engineering design services.

you inspire
solutions center

ARMSTRONG CEILING SYSTEMS * ARMSTRONG WORLD INDUSTRIES, INC. * Lancaster, PA * Phone: 877-ARMSTRONG

PROJECT NAME: WOODWORKS GRILLE PANELS INTEGRATED LIGHT MASTER SHEET		REV: .	DATE: .
DWG. NO. WOODWORKS GRILLE - 7264	SCALE:	DESC: .	
DATE: 09-19-19	DRAWN BY: MJT	CHK BY: DMH	





These drawings show typical conditions in which the Armstrong product depicted is installed. They are not a substitute for an architect or engineer's plan and do not reflect the unique requirements of local building codes, laws, ordinances, rules and regulations (Legal Requirements) that may be applicable for a particular installation.

Armstrong does not warrant, and assumes no liability for the accuracy or completeness of the drawings for a particular installation or their fitness for a particular purpose. The user is advised to consult with a duly licensed architect or engineer in the particular locale of the installation to assure compliance with all Legal Requirements.

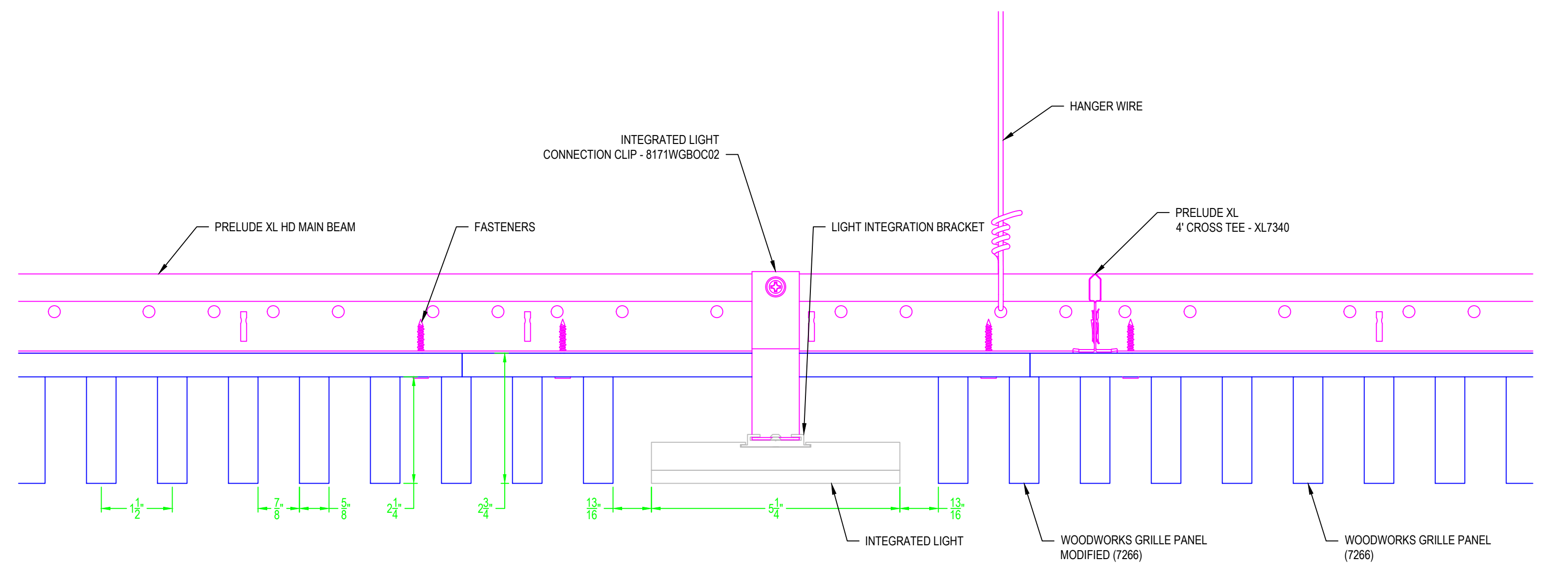
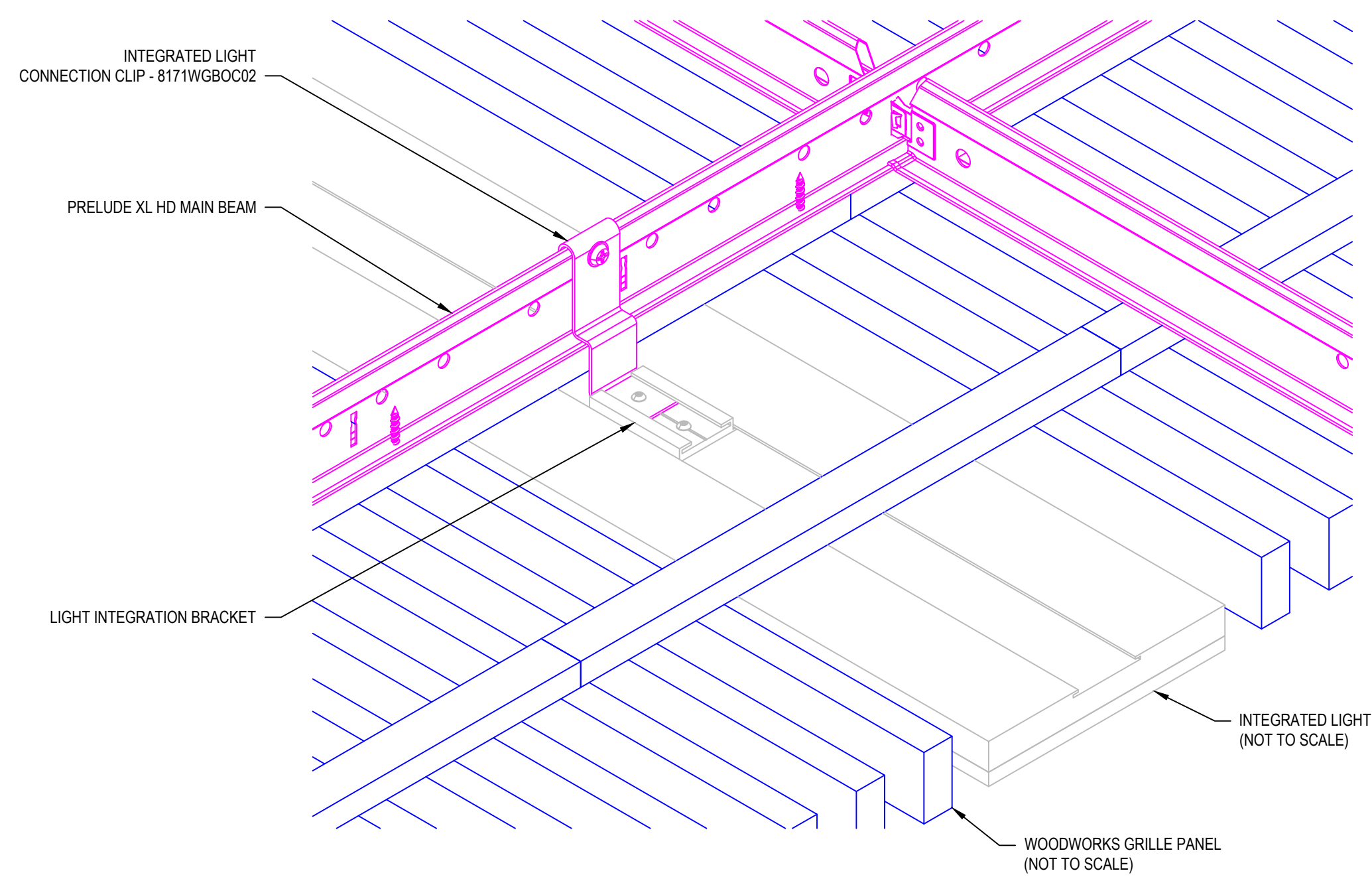
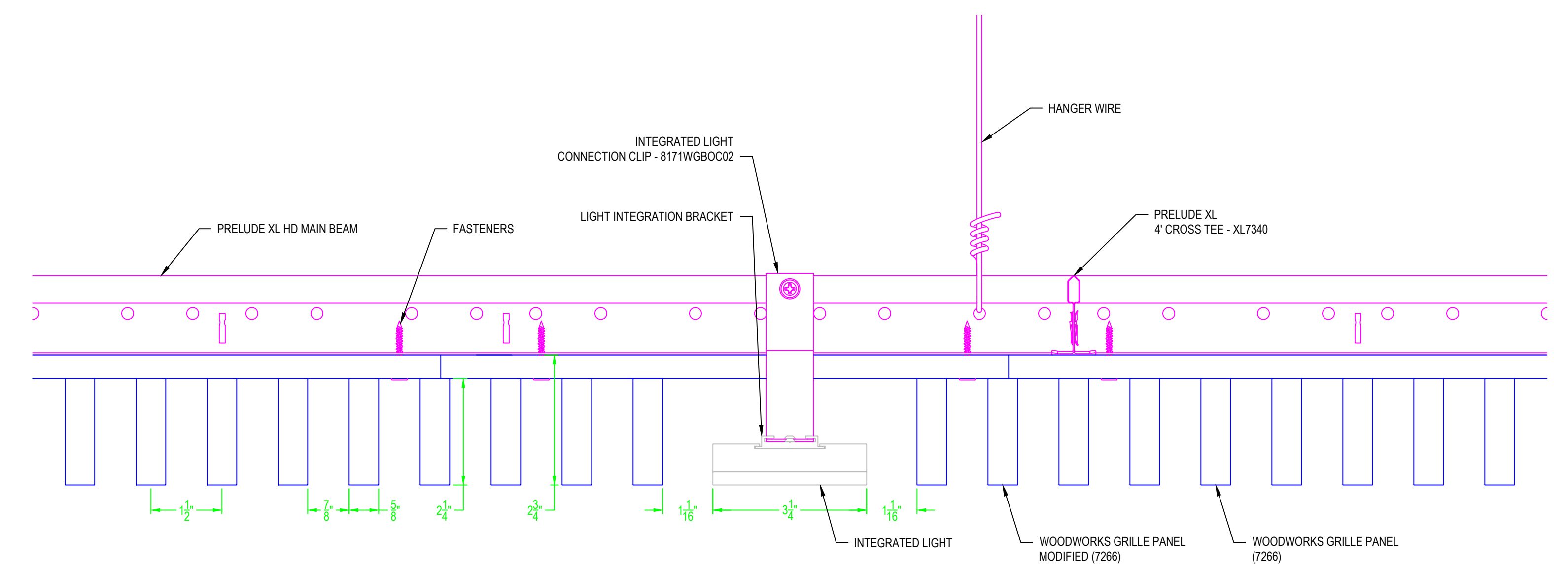
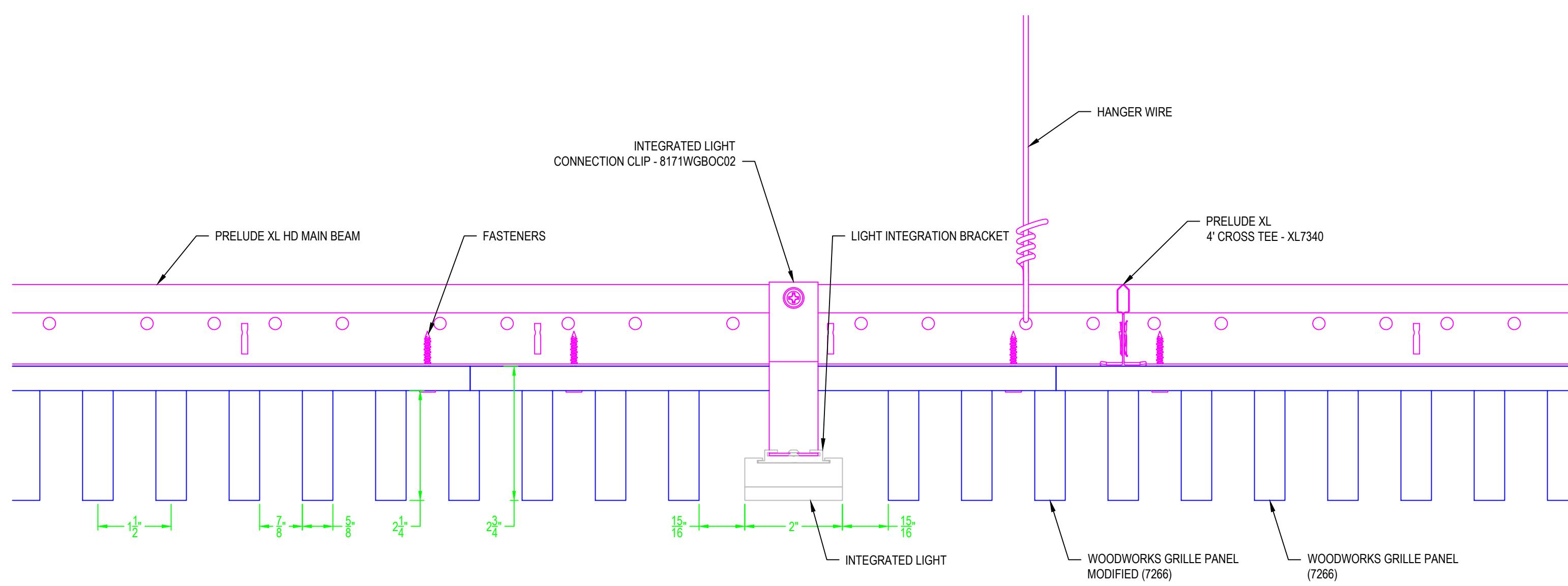
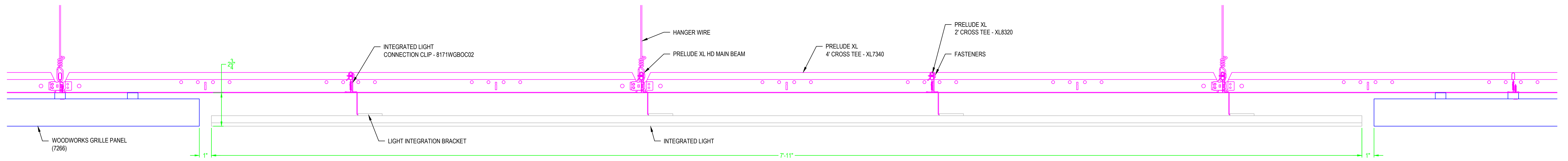
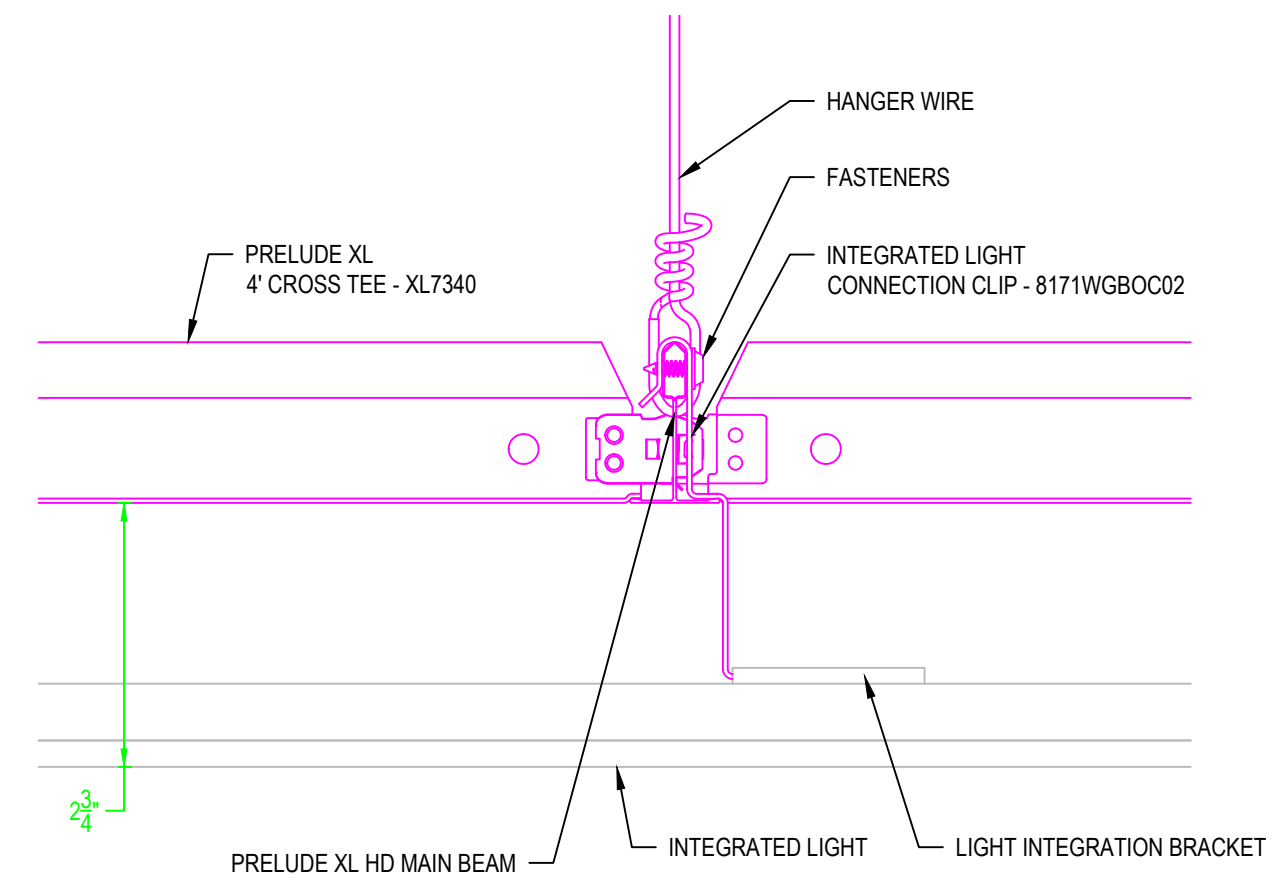
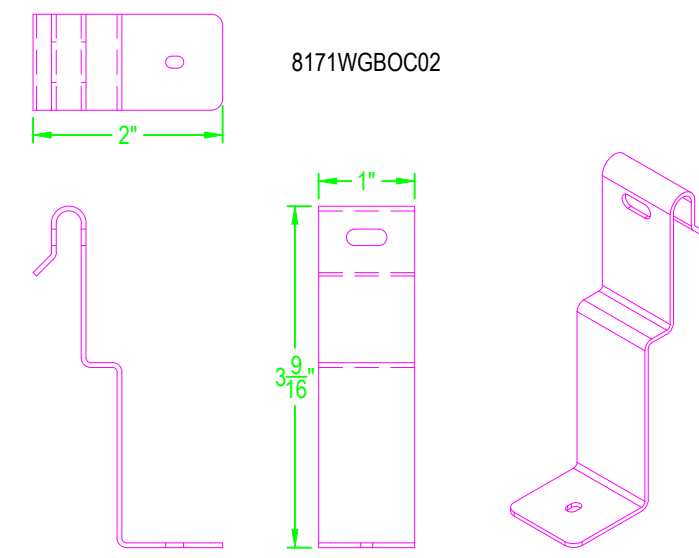
Armstrong is not licensed to provide professional architecture or engineering design services.

you inspire
solutions center

ARMSTRONG CEILING SYSTEMS * ARMSTRONG WORLD INDUSTRIES, INC. * Lancaster, PA * Phone: 877-ARMSTRONG

PROJECT NAME: WOODWORKS GRILLE PANELS INTEGRATED LIGHT MASTER SHEET		REV: .	DATE: .
DWG. NO. WOODWORKS GRILLE - 7265	SCALE:	DESC: .	
DATE: 09-19-19	DRAWN BY: MJT	CHK BY: DMH	





These drawings show typical conditions in which the Armstrong product depicted is installed. They are not a substitute for an architect's or engineer's plan and do not reflect the unique requirements of local building codes, laws, ordinances, rules and regulations (Legal Requirements) that may be applicable for a particular installation.

Armstrong does not warrant, and assumes no liability for the accuracy or completeness of the drawings for a particular installation or their fitness for a particular purpose. The user is advised to consult with a duly licensed architect or engineer in the particular locale of the installation to assure compliance with all Legal Requirements.

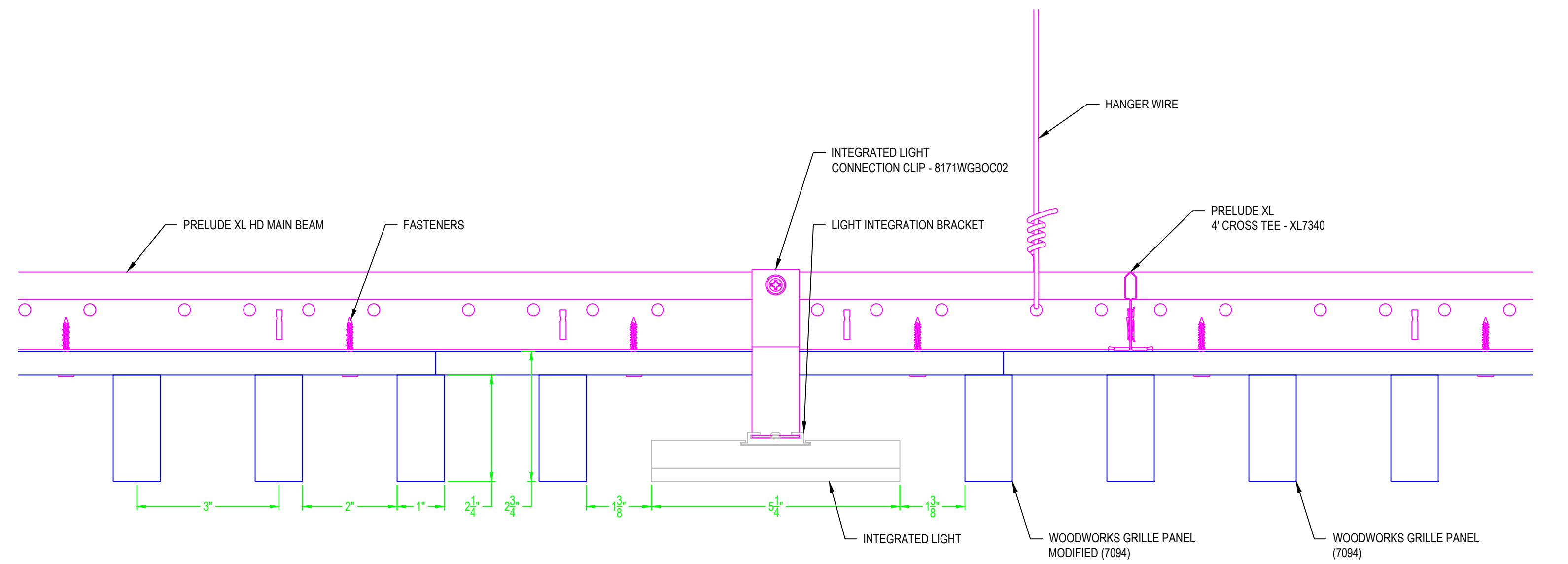
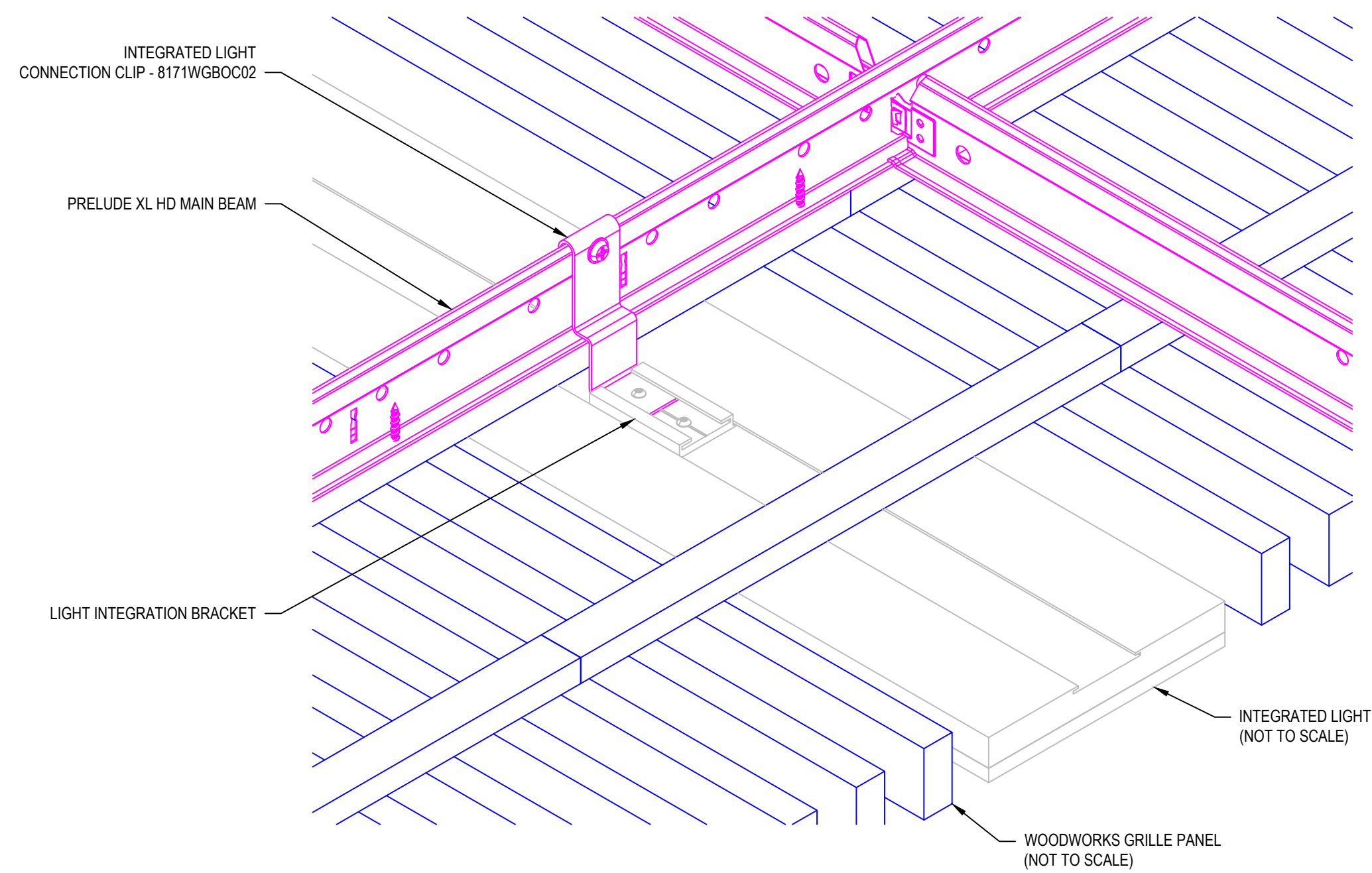
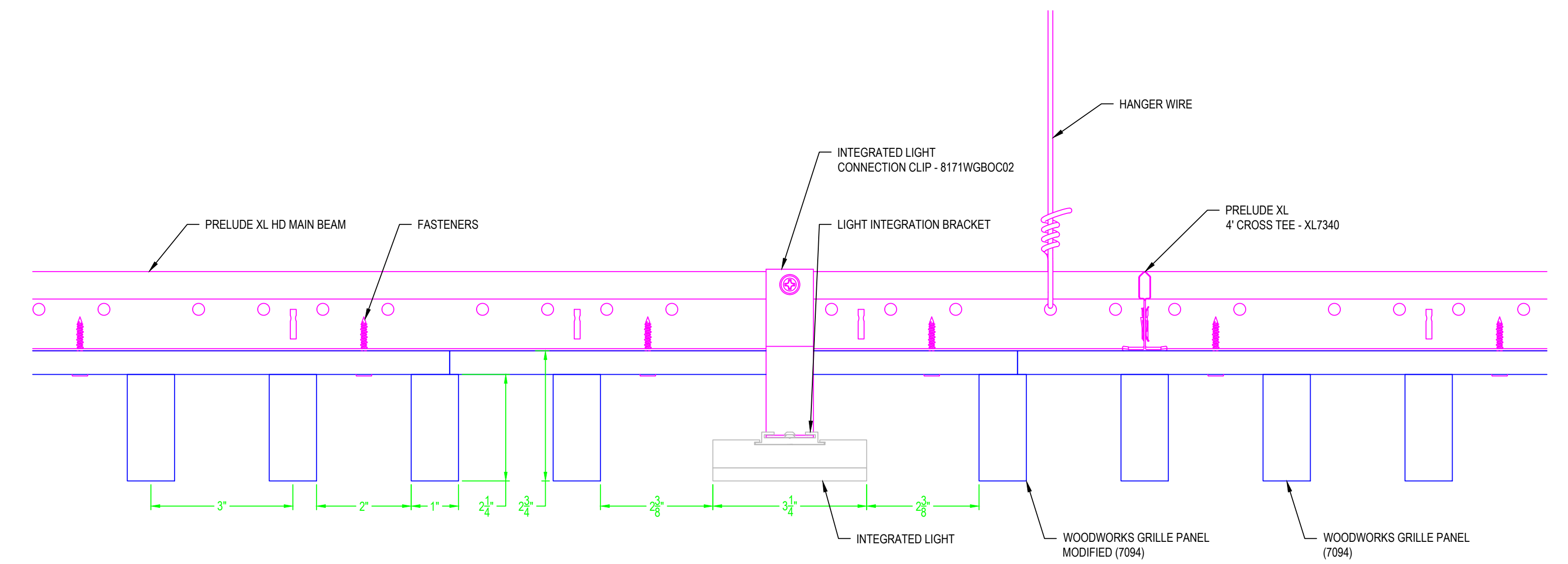
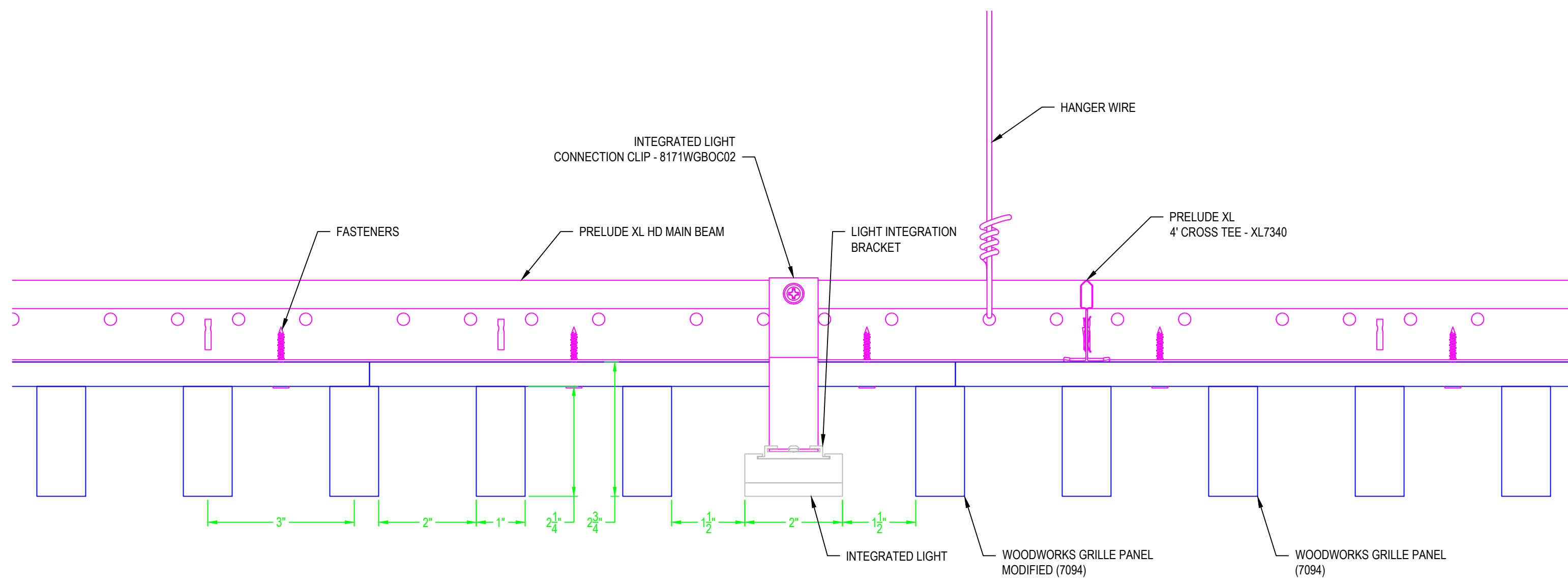
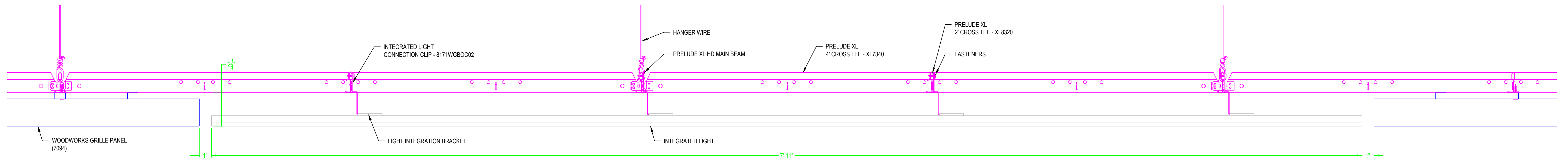
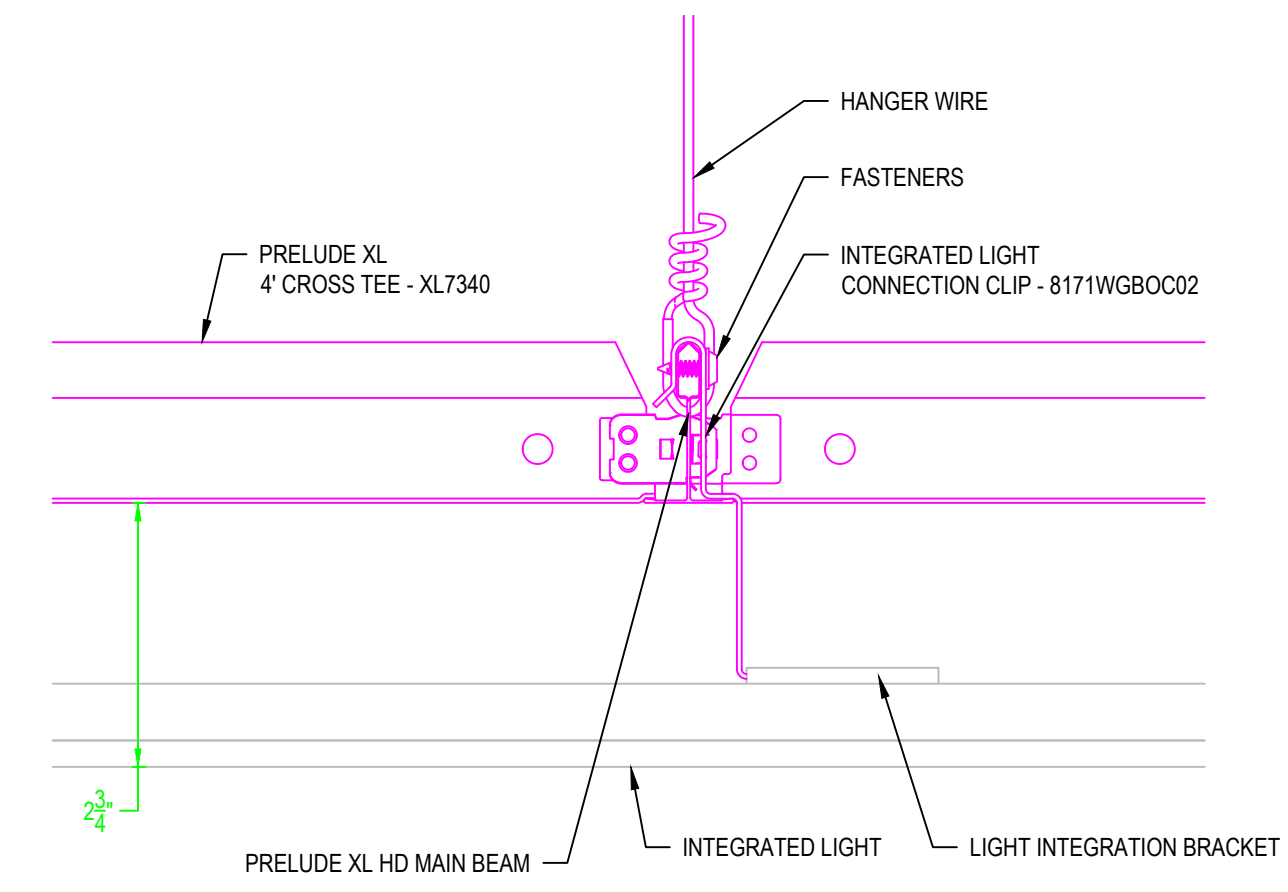
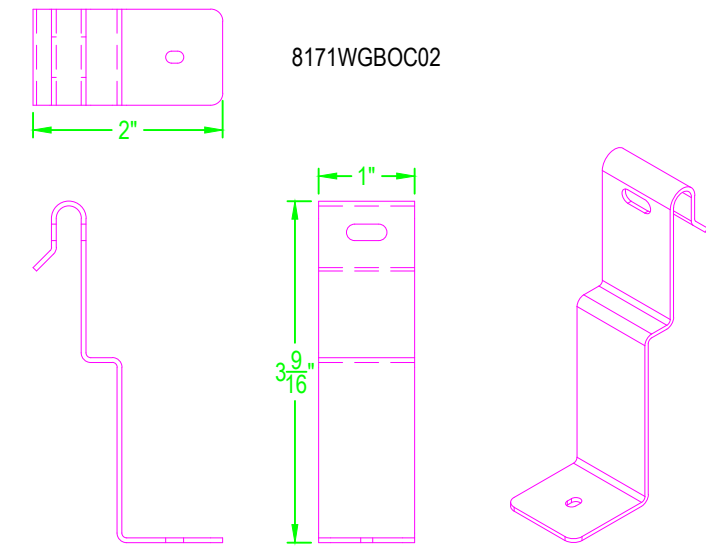
Armstrong is not licensed to provide professional architecture or engineering design services.

you inspire
solutions center

ARMSTRONG CEILING SYSTEMS * ARMSTRONG WORLD INDUSTRIES, INC. * Lancaster, PA * Phone: 877-ARMSTRONG

PROJECT NAME: WOODWORKS GRILLE PANELS INTEGRATED LIGHT MASTER SHEET		REV: .	DATE: .
DWG. NO. WOODWORKS GRILLE - 7266	SCALE:	DESC: .	
DATE: 09-19-19	DRAWN BY: MJT	CHK BY: DMH	





These drawings show typical conditions in which the Armstrong product depicted is installed. They are not a substitute for an architect's or engineer's plan and do not reflect the unique requirements of local building codes, laws, ordinances, rules and regulations (Legal Requirements) that may be applicable for a particular installation.

Armstrong does not warrant, and assumes no liability for the accuracy or completeness of the drawings for a particular installation or their fitness for a particular purpose. The user is advised to consult with a duly licensed architect or engineer in the particular locale of the installation to assure compliance with all Legal Requirements.

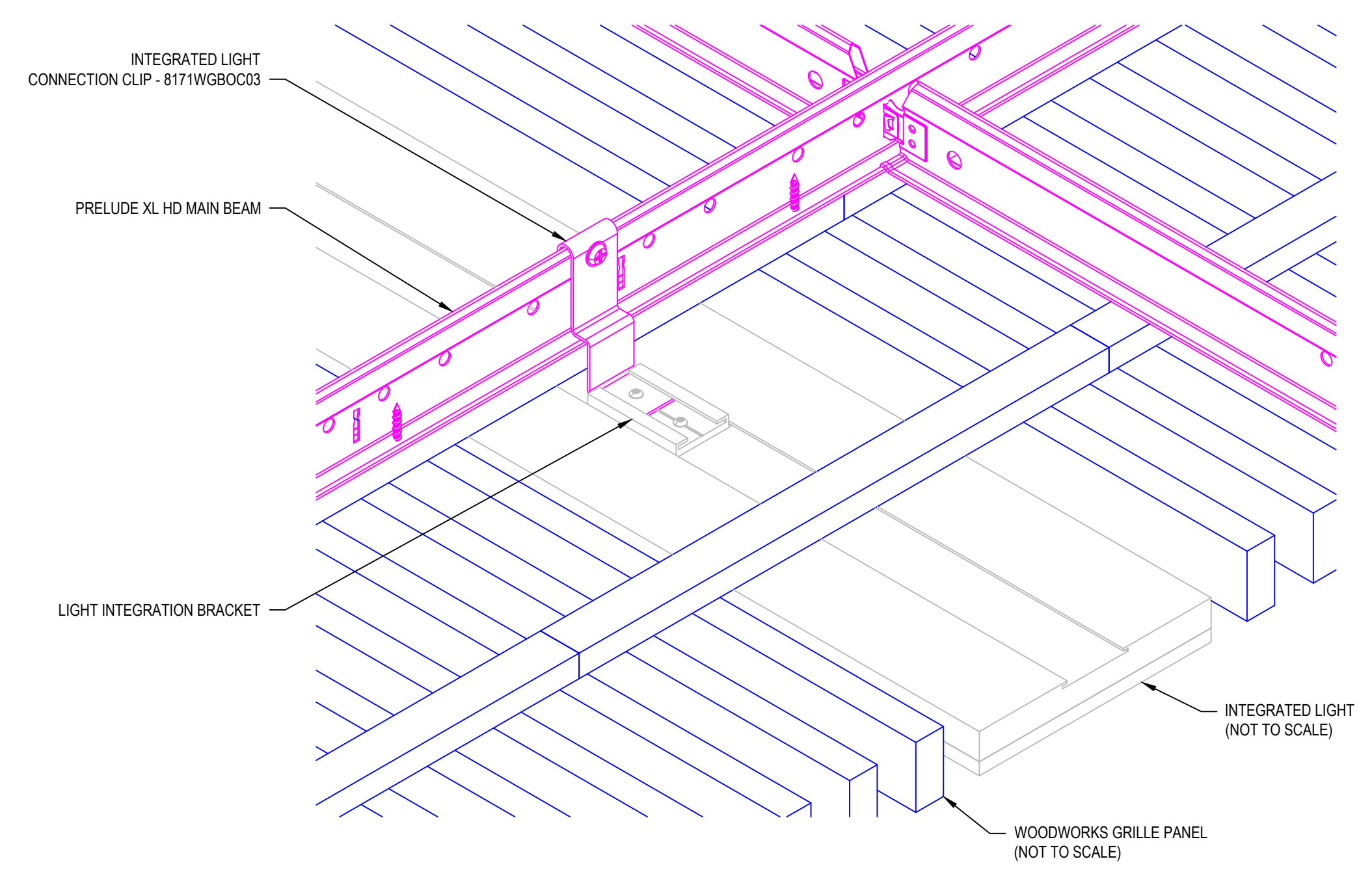
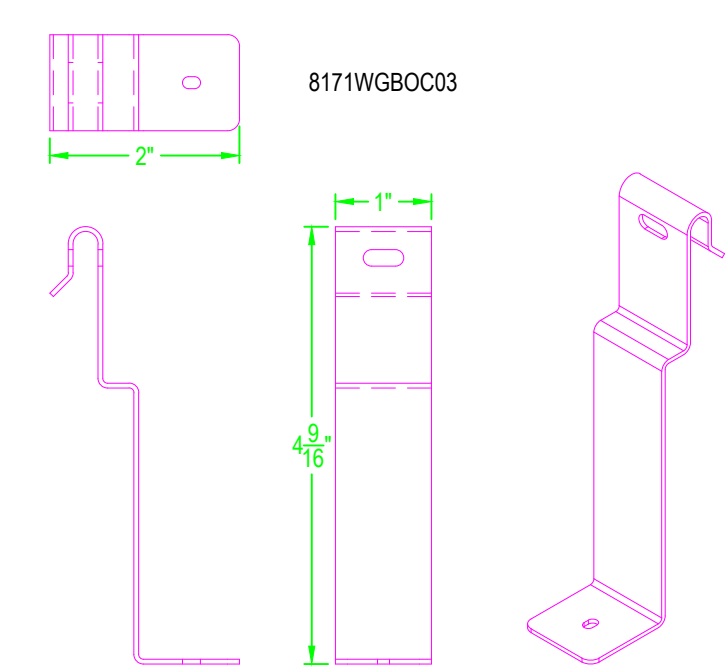
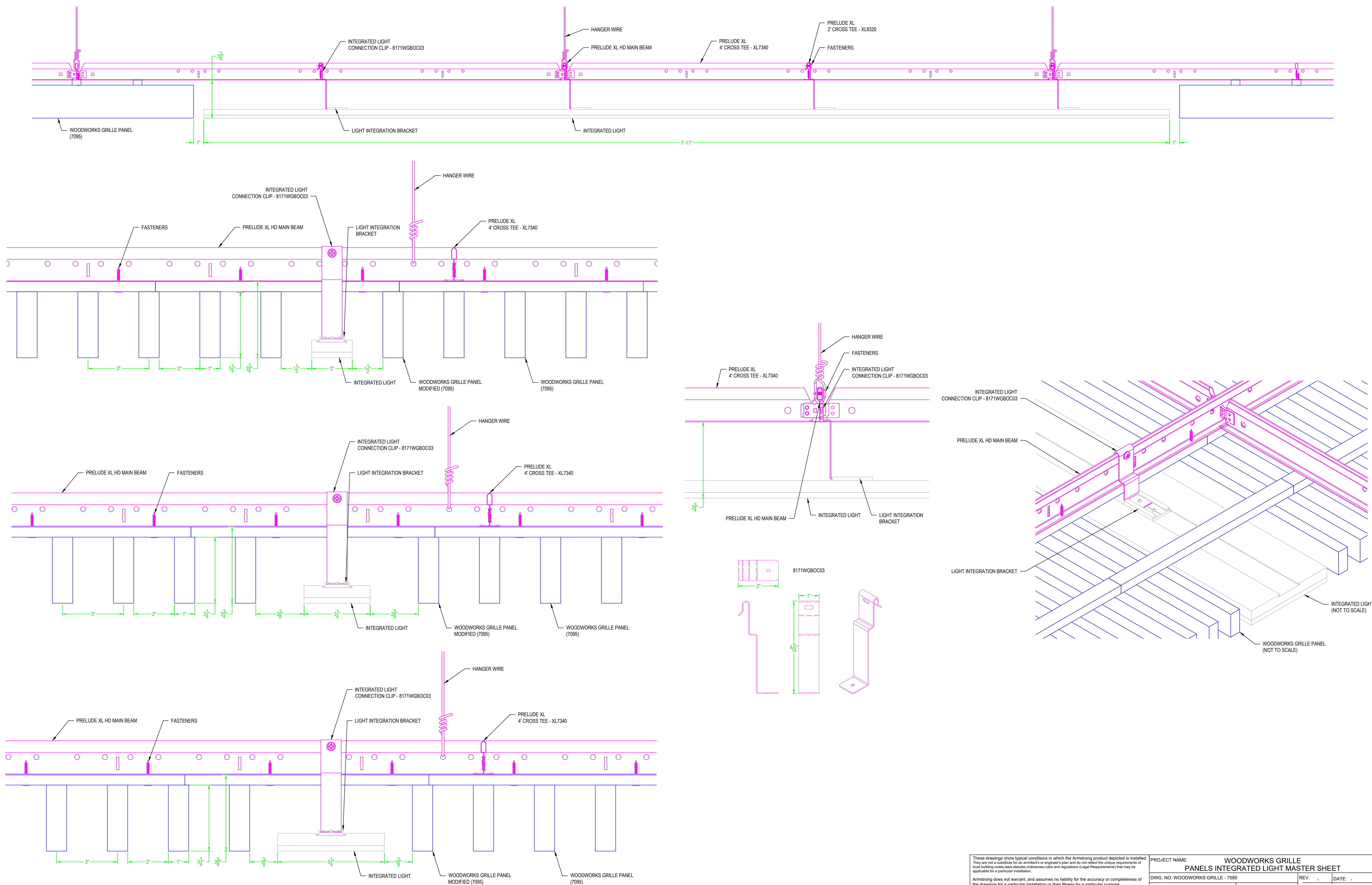
Armstrong is not licensed to provide professional architecture or engineering design services.

you inspire
solutions center

ARMSTRONG CEILING SYSTEMS * ARMSTRONG WORLD INDUSTRIES, INC. * Lancaster, PA * Phone: 877-ARMSTRONG

PROJECT NAME: WOODWORKS GRILLE PANELS INTEGRATED LIGHT MASTER SHEET		REV: .	DATE: .
DWG. NO. WOODWORKS GRILLE - 7094	SCALE:	DESC: .	
DATE: 09-19-19	DRAWN BY: MJT	CHK BY: DMH	





These drawings show typical conditions in which the Armstrong product depicted is installed. They are not a substitute for an architect's or engineer's plan and do not reflect the unique requirements of local building codes, laws, ordinances, rules and regulations (Legal Requirements) that may be applicable for a particular installation.

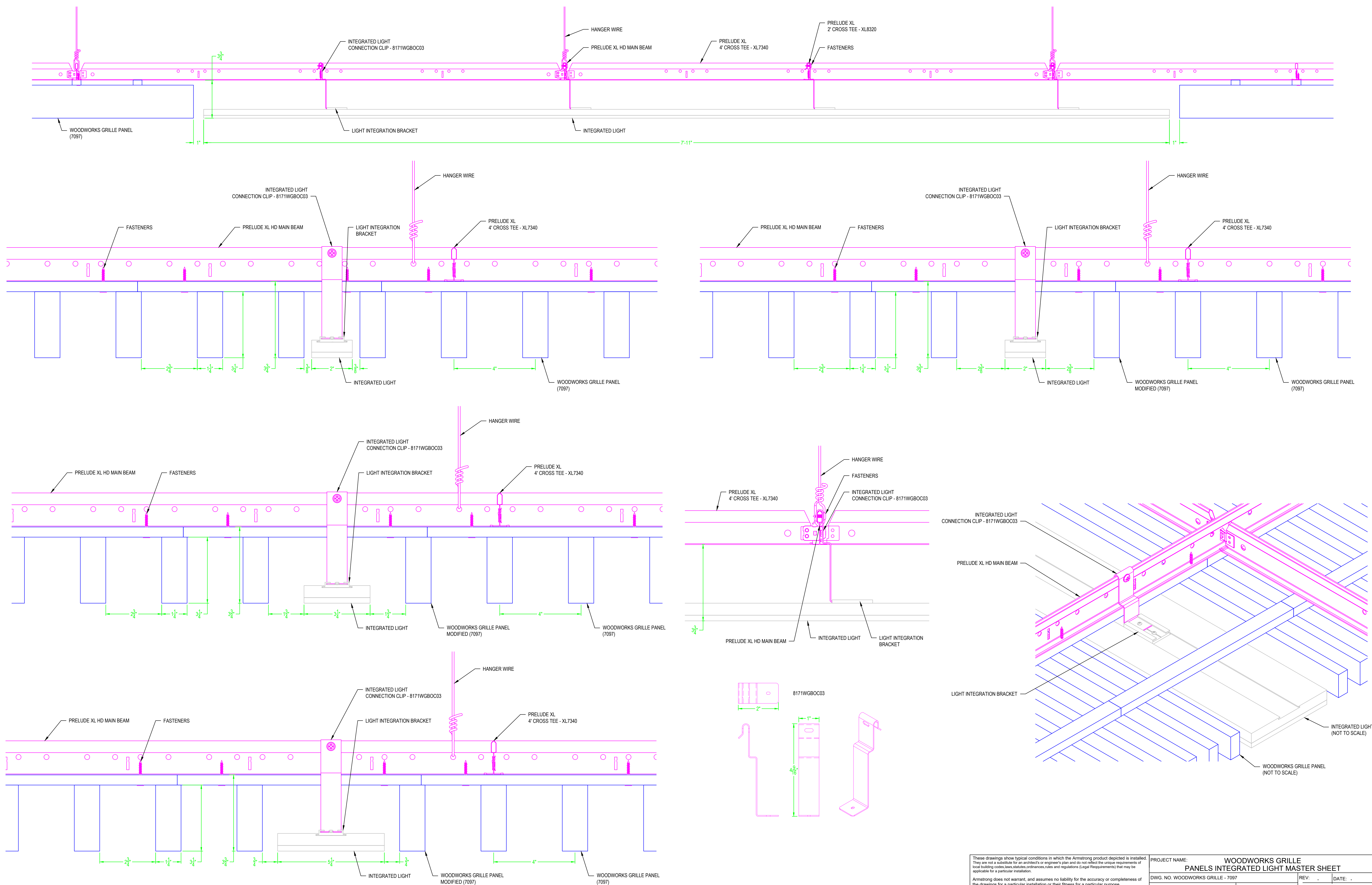
Armstrong does not warrant, and assumes no liability for the accuracy or completeness of the drawings for a particular installation or their fitness for a particular purpose. The user is advised to consult with a duly licensed architect or engineer in the particular locale of the installation to assure compliance with all Legal Requirements.

Armstrong is not licensed to provide professional architecture or engineering design services.

you inspire
solutions center

ARMSTRONG CEILING SYSTEMS * ARMSTRONG WORLD INDUSTRIES, INC. * Lancaster, PA * Phone: 877-ARMSTRONG

PROJECT NAME: WOODWORKS GRILLE PANELS INTEGRATED LIGHT MASTER SHEET		REV: .	DATE: .
DWG. NO. WOODWORKS GRILLE - 7095	SCALE:	DESC: .	
DATE: 09-19-19	DRAWN BY: MJT	CHK BY: DMH	



These drawings show typical conditions in which the Armstrong product depicted is installed. They are not a substitute for an architect's or engineer's plan and do not reflect the unique requirements of local building codes, laws, ordinances, rules and regulations (Legal Requirements) that may be applicable for a particular installation.

Armstrong does not warrant, and assumes no liability for the accuracy or completeness of the drawings for a particular installation or their fitness for a particular purpose. The user is advised to consult with a duly licensed architect or engineer in the particular locale of the installation to assure compliance with all Legal Requirements.

Armstrong is not licensed to provide professional architecture or engineering design services.

you inspire
solutions center

ARMSTRONG CEILING SYSTEMS * ARMSTRONG WORLD INDUSTRIES, INC. * Lancaster, PA * Phone: 877-ARMSTRONG

PROJECT NAME: WOODWORKS GRILLE PANELS INTEGRATED LIGHT MASTER SHEET		REV: .	DATE: .
DWG. NO. WOODWORKS GRILLE - 7097	SCALE:	DESC: .	
DATE: 09-19-19	SCALE:	CHK BY: DMH	
DRAWN BY: MJT	CHK BY: DMH		

